

(19) World Intellectual Property Organization  
International Bureau



(43) International Publication Date  
4 January 2007 (04.01.2007)

PCT

(10) International Publication Number  
**WO 2007/002920 A3**

- (51) International Patent Classification:  
B65D 75/58 (2006.01) B65B 9/04 (2006.01)
- (21) International Application Number:  
PCT/US2006/025767
- (22) International Filing Date: 29 June 2006 (29.06.2006)
- (25) Filing Language: English
- (26) Publication Language: English
- (30) Priority Data:  
60/695,144 29 June 2005 (29.06.2005) US
- (71) Applicant (for all designated States except US): **CE-LESTE INDUSTRIES CORPORATION** [US/US];  
7978 Industrial Park Road, Easton, Maryland 21601 (US).

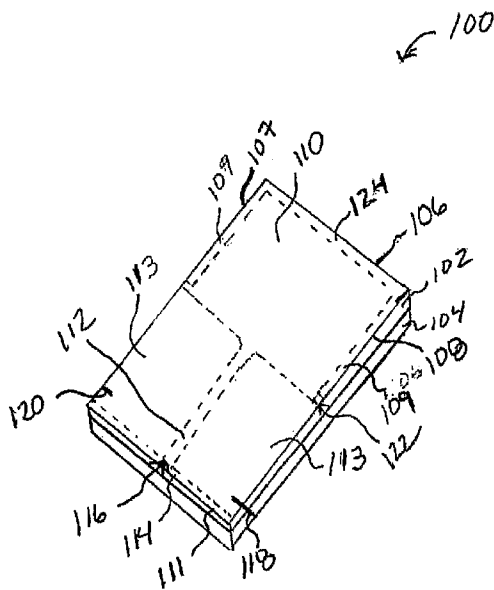
- (81) Designated States (unless otherwise indicated, for every kind of national protection available): AE, AG, AL, AM, AT, AU, AZ, BA, BB, BG, BR, BW, BY, BZ, CA, CH, CN, CO, CR, CU, CZ, DE, DK, DM, DZ, EC, EE, EG, ES, FI, GB, GD, GE, GH, GM, HN, HR, HU, ID, IL, IN, IS, JP, KE, KG, KM, KN, KP, KR, KZ, LA, LC, LK, LR, LS, LT, LU, LV, LY, MA, MD, MG, MK, MN, MW, MX, MZ, NA, NG, NI, NO, NZ, OM, PG, PH, PL, PT, RO, RS, RU, SC, SD, SE, SG, SK, SL, SM, SY, TJ, TM, TN, TR, TT, TZ, UA, UG, US, UZ, VC, VN, ZA, ZM, ZW.
- (84) Designated States (unless otherwise indicated, for every kind of regional protection available): ARIPO (BW, GH, GM, KE, LS, MW, MZ, NA, SD, SL, SZ, TZ, UG, ZM, ZW), Eurasian (AM, AZ, BY, KG, KZ, MD, RU, TJ, TM), European (AT, BE, BG, CH, CY, CZ, DE, DK, EE, ES, FI, FR, GB, GR, HU, IE, IS, IT, LT, LU, LV, MC, NL, PL, PT, RO, SE, SI, SK, TR), OAPI (BF, BJ, CF, CG, CI, CM, GA, GN, GQ, GW, ML, MR, NE, SN, TD, TG).

- (72) Inventor; and
- (75) Inventor/Applicant (for US only): **PATRICK, Michael, K.** [US/US]; 26351 Stallings Road, Greensboro, Maryland 21639 (US).
- (74) Agents: **ALEMANNI, John, C.** et al.; Kilpatrick Stockton LLP, 1001 West Fourth Street, Winston-Salem, North Carolina 27101 (US).

- Published:  
— with international search report
- (88) Date of publication of the international search report:  
3 May 2007

For two-letter codes and other abbreviations, refer to the "Guidance Notes on Codes and Abbreviations" appearing at the beginning of each regular issue of the PCT Gazette.

(54) Title: DISPENSING POUCH AND A METHOD OF MAKING THE SAME



(57) Abstract: A dispensing pouch (100) and method for making the same are described. One described dispensing pouch includes a flexible first sheet (102) and a flexible second sheet (104), each including at least one layer, and where the flexible second sheet has substantially the same size and shape as the flexible first sheet. The flexible second sheet is joined to the flexible first sheet to define a compartment (100) configured to substantially contain a material. The flexible first sheet and the flexible second sheet also define a channel (112) configured to allow dispensing of the material from the compartment.

WO 2007/002920 A3

INTERNATIONAL SEARCH REPORT

International application No  
PCT/US2006/025767

A. CLASSIFICATION OF SUBJECT MATTER  
INV. B65D75/58 B65B9/04

According to International Patent Classification (IPC) or to both national classification and IPC

B. FIELDS SEARCHED

Minimum documentation searched (classification system followed by classification symbols)  
B65D B65B

Documentation searched other than minimum documentation to the extent that such documents are included in the fields searched

Electronic data base consulted during the international search (name of data base and, where practical, search terms used)

EPO-Internal

C. DOCUMENTS CONSIDERED TO BE RELEVANT

| Category* | Citation of document, with indication, where appropriate, of the relevant passages   | Relevant to claim No. |
|-----------|--|-----------------------|
| X         | US 2003/152300 A1 (TU YAO-CHUNG [TW] ET AL) 14 August 2003 (2003-08-14)<br>the whole document  | 1-15                  |
| X         | WO 2004/103818 A (PICKABOO FOODS LTD [GB]; NEWMAN PAUL [GB]; HANKINS MARK [GB]; MOORE PH) 2 December 2004 (2004-12-02)<br>the whole document | 1-15                  |
| X         | US 2002/157983 A1 (KRUPKA RUDOLF [US] ET AL KRUPKA RUDOLF [US] ET AL) 31 October 2002 (2002-10-31)<br>the whole document                     | 1-15                  |
| X         | US 4 871 091 A (PREZIOSI ROBERT [US]) 3 October 1989 (1989-10-03)<br>the whole document  | 1,2,9-15              |
|           | -----<br>-/--  |                       |

Further documents are listed in the continuation of Box C.

See patent family annex.

\* Special categories of cited documents :

"A" document defining the general state of the art which is not considered to be of particular relevance

"E" earlier document but published on or after the international filing date

"L" document which may throw doubts on priority claim(s) or which is cited to establish the publication date of another citation or other special reason (as specified)

"O" document referring to an oral disclosure, use, exhibition or other means

"P" document published prior to the international filing date but later than the priority date claimed

"T" later document published after the international filing date or priority date and not in conflict with the application but cited to understand the principle or theory underlying the invention

"X" document of particular relevance; the claimed invention cannot be considered novel or cannot be considered to involve an inventive step when the document is taken alone

"Y" document of particular relevance; the claimed invention cannot be considered to involve an inventive step when the document is combined with one or more other such documents, such combination being obvious to a person skilled in the art.

"&" document member of the same patent family

Date of the actual completion of the international search

30 October 2006

Date of mailing of the international search report

01.02.2007

Name and mailing address of the ISA/

European Patent Office, P.B. 5818 Patentlaan 2  
NL - 2280 HV Rijswijk  
Tel. (+31-70) 340-2040, Tx. 31 651 epo nl,  
Fax: (+31-70) 340-3016

Authorized officer

Fournier, Jacques

## INTERNATIONAL SEARCH REPORT

International application No

PCT/US2006/025767

C(Continuation). DOCUMENTS CONSIDERED TO BE RELEVANT

| Category* | Citation of document, with indication, where appropriate, of the relevant passages  | Relevant to claim No. |
|-----------|---|-----------------------|
| X         | WO 2004/035407 A (TOPPAN PRINTING CO LTD [JP]; TOMATSURI TAKEO [JP]; IWASE HIROSHI [JP];) 29 April 2004 (2004-04-29)<br>the whole document<br>----- | 1-3,5-7,<br>9-15      |

# INTERNATIONAL SEARCH REPORT

international application No.  
PCT/US2006/025767

## Box II Observations where certain claims were found unsearchable (Continuation of item 2 of first sheet)

This International Search Report has not been established in respect of certain claims under Article 17(2)(a) for the following reasons:

1.  Claims Nos.:  
because they relate to subject matter not required to be searched by this Authority, namely:
  
2.  Claims Nos.:  
because they relate to parts of the International Application that do not comply with the prescribed requirements to such an extent that no meaningful International Search can be carried out, specifically:
  
3.  Claims Nos.:  
because they are dependent claims and are not drafted in accordance with the second and third sentences of Rule 6.4(a).

## Box III Observations where unity of invention is lacking (Continuation of item 3 of first sheet)

This International Searching Authority found multiple inventions in this international application, as follows:

see additional sheet

1.  As all required additional search fees were timely paid by the applicant, this International Search Report covers all searchable claims.
2.  As all searchable claims could be searched without effort justifying an additional fee, this Authority did not invite payment of any additional fee.
3.  As only some of the required additional search fees were timely paid by the applicant, this International Search Report covers only those claims for which fees were paid, specifically claims Nos.:
4.  No required additional search fees were timely paid by the applicant. Consequently, this International Search Report is restricted to the invention first mentioned in the claims; it is covered by claims Nos.:  
1-15.

### Remark on Protest

- The additional search fees were accompanied by the applicant's protest.
- No protest accompanied the payment of additional search fees.

This International Searching Authority found multiple (groups of) inventions in this international application, as follows:

1. claims: 1-15

Claims 1-15 relate to a dispensing pouch comprising two flexible sheets each comprising a three-layer material.

---

2. claims: 16-26

Claims 16-26 relate to a method of manufacture of a dispensing pouch comprising a step of joining two flexible sheets along four sides.

---

# INTERNATIONAL SEARCH REPORT

Information on patent family members

International application No

PCT/US2006/025767

| Patent document cited in search report | Publication date | Patent family member(s)             | Publication date         |
|--|------------------|-------------------------------------|--------------------------|
| US 2003152300 A1                       | 14-08-2003       | NONE                                |                          |
| -----                                  | -----            | -----                               | -----                    |
| WO 2004103818 A                        | 02-12-2004       | AU 2003244798 A1                    | 13-12-2004               |
| -----                                  | -----            | -----                               | -----                    |
| US 2002157983 A1                       | 31-10-2002       | NONE                                |                          |
| -----                                  | -----            | -----                               | -----                    |
| US 4871091 A                           | 03-10-1989       | NONE                                |                          |
| -----                                  | -----            | -----                               | -----                    |
| WO 2004035407 A                        | 29-04-2004       | AU 2003275558 A1<br>JP 2004136937 A | 04-05-2004<br>13-05-2004 |
| -----                                  | -----            | -----                               | -----                    |