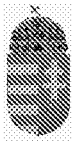




HU000032650T2

(19) **HU**(11) Lajstromszám: **E 032 650**(13) **T2****MAGYARORSZÁG**
Szellemi Tulajdon Nemzeti Hivatala**EURÓPAI SZABADALOM**
SZÖVEGÉNEK FORDÍTÁSA(21) Magyar ügyszám: **E 12 874011**
(22) A bejelentés napja: **2012. 09. 28.**(51) Int. Cl.: **F41A 9/62** (2006.01)
F41A 9/66 (2006.01)(96) Az európai bejelentés bejelentési száma:
EP 20120874011(86) A nemzetközi (PCT) bejelentési szám:
PCT/RU 12/000789(97) Az európai bejelentés közzétételi adatai:
EP 2837906 A1 **2015. 02. 18.**(87) A nemzetközi közzétételi szám:
WO 13154455(97) Az európai szabadalom megadásának meghirdetési adatai:
EP 2837906 B1 **2017. 02. 01.**(30) Elsőbbségi adatok:
2012114396 **2012. 04. 11.** **RU**(72) Feltalálók:
BOYARKIN, Vitali Vitalevich, Irkutsk-74, 664074 (RU)(73) Jogosult(ak):
FEDERAL STATE BUDGETARY INSTITUTION
"FEDERAL AGENCY FOR LEGAL
PROTECTION OF MILITARY, SPECIAL AND
DUAL USE INTELLECTUAL ACTIVITY
RESULTS", Moscow 123995 (RU)
Boyarkin, Vitali Vitalevich, Irkutsk-74, 664074
(RU)(74) Képviselő:
SBGK Szabadalmi Ügyvivői Iroda, Budapest(54) **Univerzális töltő és mérő eszköz szekrénytarban levő töltényekhez**

Az európai szabadalom ellen, megadásának az Európai Szabadalmi Közlönyben való meghirdetésétől számított kilenc hónapon belül, felszólalást lehet benyújtani az Európai Szabadalmi Hivatalnál. (Európai Szabadalmi Egyezmény 99. cikk(1))

A fordítást a szabadalmat az 1995. évi XXXIII. törvény 84/H. §-a szerint nyújtotta be. A fordítás tartalmi helyességét a Szellemi Tulajdon Nemzeti Hivatala nem vizsgálta.

(19)



(11)

EP 2 837 906 B1

(12)

EUROPEAN PATENT SPECIFICATION

(45) Date of publication and mention of the grant of the patent:
01.02.2017 Bulletin 2017/05

(51) Int Cl.:
F41A 9/62 (2006.01) F41A 9/66 (2006.01)

(21) Application number: **12874011.5**

(86) International application number:
PCT/RU2012/000789

(22) Date of filing: **28.09.2012**

(87) International publication number:
WO 2013/154455 (17.10.2013 Gazette 2013/42)

(54) UNIVERSAL CHARGING DEVICE AND METER FOR CARTRIDGES FOR BOX MAGAZINES

UNIVERSELL LADEVORRICHTUNG UND MESSVORRICHTUNG FÜR KARTUSCHEN FÜR BOXMAGAZINE

UNITÉ DE REMPLISSAGE ET DE COMPTAGE UNIVERSELLE DE MUNITIONS POUR CHARGEURS DE TYPE BOÎTIERS

(84) Designated Contracting States:
AL AT BE BG CH CY CZ DE DK EE ES FI FR GB GR HR HU IE IS IT LI LT LU LV MC MK MT NL NO PL PT RO RS SE SI SK SM TR

(72) Inventor: **BOYARKIN, Vitali Vitalevich Irkutsk-74, 664074 (RU)**

(30) Priority: **11.04.2012 RU 2012114396**

(74) Representative: **Glawe, Delfs, Moll Partnerschaft mbB von Patent- und Rechtsanwälten Postfach 13 03 91 20103 Hamburg (DE)**

(43) Date of publication of application:
18.02.2015 Bulletin 2015/08

(73) Proprietors:
• **FEDERAL STATE BUDGETARY INSTITUTION "FEDERAL AGENCY FOR LEGAL PROTECTION OF MILITARY, SPECIAL AND DUAL USE INTELLECTUAL ACTIVITY RESULTS" Moscow 123995 (RU)**
• **Boyarkin, Vitali Vitalevich Irkutsk-74, 664074 (RU)**

(56) References cited:
DE-U1- 20 000 270 US-A- 382 455
US-A- 382 455 US-A- 5 291 679
US-A- 5 291 679 US-A1- 2012 030 987
US-A1- 2012 030 987

• **A. B. ZHUK: 'ENTSIKLOPEDIIA STRELKOVOGO ORUZHIIYA' VOENNOE IZDATELSTVO, M. 1999, page 276, XP008174711**

EP 2 837 906 B1

Note: Within nine months of the publication of the mention of the grant of the European patent in the European Patent Bulletin, any person may give notice to the European Patent Office of opposition to that patent, in accordance with the Implementing Regulations. Notice of opposition shall not be deemed to have been filed until the opposition fee has been paid. (Art. 99(1) European Patent Convention).

Description

[0001] The proposed invention relates to small arms, in particular to cartridge charging devices and cartridge meters for box magazines.

[0002] The Lula_24216 speed loader by Butler Creek company (http://e-guns.com.ua/product_info.php?products_id=316) is known, which is made as a locking attachment placed to an arms magazine neck which upper portion is provided with an hole for loading cartridges into the attachment and a plunger having two cams connected to the handle, said plunger being capable of turning to a certain angle axially. The handle may rotate axially to two extreme positions limited by the attachment housing. While the handle is in each of the extreme positions, one of the cams moves to the lowest position and presses on a cartridge placed in the attachment housing, the cartridge being sunk and fixed in the magazine. Actually, this device makes loading of a magazine easier, acting similarly to the man's fingers, when a magazine is loaded manually.

[0003] Drawbacks of this device are the necessity of using it for loading, time losses due to the necessity of its mounting and dismounting to/from a magazine, long time required for placing cartridges one-by-one to the attachment aperture, absence of a meter for loaded cartridges.

[0004] Speed loaders for cartridges arranged in clips are known: AK Speed Loader Part#Ldraka01 (China) (<http://centerfiresystems.com/ldraka01.aspx>): charging device for a clip for a magazine for AK74 (USSR) (<http://pop-gun.ru/viewtopic.php?f=146&t=8930>). In order to use these devices, cartridges, first, are loaded into clips by 10-15 cartridges, then adapters are mounted to magazine necks, loaded clips are inserted into these adapters, and cartridges are pressed along the clip guides by the thumb.

[0005] Drawbacks of these systems are the necessity of providing clips and adapters, time losses for loading clips beforehand and for mounting adapters onto magazines, the necessity of applying high forces for pressing cartridges into a magazine, and the absence of a cartridge meter.

[0006] A cartridge meter used in CD-MaG magazines by Command Arms company (US), which is manufactured by CAA Tactical company (Israel) and consists of a band with fluorescent figures applied to it and a color scale used for rough estimate of a cartridge number in a magazine, the scale being connected to a follower and having a spring for winding the band onto a drum (www.e-guns.com.ua/product_info.php?cPath=21_24&products_id=274).

[0007] A drawback of this meter is the absence of the possibility of tactile determination of a number of cartridges left in a magazine and the possibility of ensuring their loading into the magazine.

[0008] Electronic meters of ammunition for pistols, as manufactured by Rade Technology company, are known (<http://all-guns.ru/novosti/schechik-boepripasov-ot-rade-technology.html>). These devices consist of a sensor in a special magazine and a LED indicator or display for figures, which are arranged on changeable grip side pieces. They have the following drawbacks: the necessity of changing power cells and replacing a standard magazine and standard grip side pieces.

[0009] A cartridge meter is known (RU Patent No. 2370718), which operates on the principle of determining a distance between the follower and the magazine base and has magnetically sensitive, or infrared, or ultrasonic distance indicators and a LED display on arms. Drawbacks are: complexity of this device, the necessity of changing power cells, the standard magazine and arms grip side pieces.

[0010] A magazine with the indication of a number of cartridges is known (RU Patent No. 2030703), which has apertures on the magazine walls, these apertures being displaced relative to each other along the housing width. Opposite to each aperture, the follower housing is provided with a row of figures corresponding to a number of cartridges read in the corresponding aperture when the follower passes it. This device has the following drawbacks: determination of cartridges in a magazine is complicated in the dark, and tactile determination of cartridges is impossible.

[0011] The reviewed sources do not teach any systems of cartridge meters and charging devices that are combined in a single device.

[0012] The objective of the proposed invention is to design a universal charging device and meter (UCM) for box magazines, which enables to load/unload cartridges quickly and monitor their number in a magazine removed from or inserted into arms with the use of one simple and reliable device each arms magazine is provided with.

[0013] This task is solved by the subject-matter as defined in claim 1.

[0014] The proposed device is illustrated by the following drawings, wherein:

Fig. 1 shows the tie rod provided with a cartridge meter scale, the clip and the ring; a) front side, b) rear side.

Fig. 2 shows an arms magazine without cartridges with the UCM, right-side cross-section view: a) bent, b) straight with an intermediate support.

Fig. 3 shows an arms magazine charged with cartridges, with the extended tie rod of the UCM: a) front view, in partial section, b) side view, in partial section.

[0015] The magazine (1), which is provided with the UCM (2), comprises a housing (3), a follower (4), a follower spring

(5), a spring support (6), a cover (7).

[0016] The UCM (2) comprises a tie rod (8) and, in some magazine designs, an intermediate support (9) connected to the magazine follower (4).

[0017] The tie rod (8) (Fig. 1a, b) is made in the form of a spring-elastic band or flexible rod of a plastic, metal or composite material that allows bending not leading to its destruction or an irreversible change of its form.

[0018] The upper end (10) of the tie rod is inside the magazine (1) and is connected, via a hole (11), to the upper end (12) of the spring (5), or to the follower (4), or to the intermediate support (9). In the result, the tie rod (8) turns out to be within the coils of the spring (5). The lower end (13) of the tie rod (8) goes out of the lower portion of the magazine (1) through the hole (14) between the follower spring support (6) and the cover (7) or through an additional bore made in the cover (7) and the support (6). The lower end (13) is bent by 180°, and a supporting ring (16) is attached to it in the bending point with the use of a removable collar (15). A length of the tie rod (8) is selected so as, when the magazine is empty, the bent end (17) of the tie rod (8) rests against the lower surface of the cover (7) (Fig. 2a,b) (Fig. 3a,b).

[0019] The side surfaces of the tie rod (8) are provided with scales in the form of figures contrasting with the material of the tie rod, the scales having a pitch corresponding to the pitch of charging the magazine with cartridges; the scale (18) on the front side is made with due regard to pressure exerted on a cartridge in the magazine by the arms operating slide, and the scale (19) on the rear side is made without such regard, in order to monitor a number of cartridges in the magazine separated from the arms.

[0020] The UCM can be mounted into the magazine (1) as follows. The magazine is disassembled, the upper end (10) of the tie rod (8) is put onto the end (12) of the spring (5) with the hole (11) (or is attached to the follower (4) or to the intermediate support (9)). The spring with the UCM is fixed to the follower, the tie rod (8) is inserted into the spring coils, and the spring is put into the housing (3) of the magazine. When the spring is compressed, the lower end (13) of the tie rod is passed through the holes in the support (6) and the cover (7) at the point where they are connected by a clip (20). After that the tie rod (8) is disposed within the magazine, in parallel to its walls (Fig. 2).

[0021] The end (13) of the tie rod (8) is bent by 180° so as the bend end (17) rests against the lower surface of the cover (7). Then, the collar (15) is put onto this bend for the purpose of fixing the supporting ring (16) in the place of the bend.

[0022] The UCM and the magazine can be disassembled in the reverse order.

[0023] When an empty magazine is assembled, only a small portion of the UCM with the ring (16) on the end protrudes through the hole (14) in the cover (7); and, if the ring is pressed towards the cover (7), the tie rod is not pressed into the magazine because the end (17) of the tie rod (8) rests against the cover. Meanwhile, no figure can be seen on the cartridge scales (18) and (19) on the tie rod (8) either on the front surface, or on the rear surface.

[0024] The lower surface of the cover (7) are provided with protective protrusions (21) that preclude sharp bend or braking of the tie rod (8), when the magazine rests against a solid surface during shooting. Said feature has been explicitly claimed in the characterizing portion of claim 1 and in particular distinguishes the claimed subject-matter over US 5291679A.

[0025] The proposed device can be operated as follows. In order to charge a magazine with cartridges, the magazine is held by the left hand, the supporting ring (16) is put onto any suitable hook, e.g., a driven-in nail, a twig, a clincher on clothes or outfit, the gun butt clip is inserted into the aperture in the arms bolt support and fixed by the safety catch bracket, etc.

[0026] While pulling the tie rod (8) by the magazine with the left hand, the spring (5) is compressed gradually. Cartridges are inserted or poured into a space left by the follower (4) from a box, while gradually pulling the tie rod (8) out of the magazine, until the follower (4) rests against the support (6) of the magazine spring (5). Thus, a magazine may be charged with cartridges easily and quickly.

[0027] In order to monitor the process of charging the magazine, it is sufficient to look at the scale (19) applied to the rear surface of the tie rod (8), which goes out of the magazine.

[0028] In order to unload a magazine, it is held by one hand in the horizontal position, while its neck is directed into a receiving container (a hat, a box), and the other hand pulls the supporting ring (16) of the tie rod (8) reciprocally. Meanwhile, cartridges are easily discharged into the receiving container.

[0029] During shooting, the availability of cartridges in the magazine may be monitored both by visual and tactile methods.

[0030] When a magazine provided with the UCM is inserted into arms, cartridges are additionally sunk into the magazine, when interacting with the operating slide. Meanwhile, the scales on the tie rod (8) are moved down by the distance ΔL (Fig. 1), and a correct number of cartridges can be determined at the scale (18) on the front portion of the tie rod (8).

[0031] A number of cartridges in a magazine mounted onto arms may be determined visually by turning the arms sideways and looking at a scale figure visible above the surface of the magazine cover (7).

[0032] In the dark or in conditions, when there is no possibility of diverting attention from aiming, the availability of cartridges in the magazine can be determined by touch, according to a length of a portion of the tie rod (8) protruding from the magazine. When cartridges are spent nearly in full, i.e., when 1-2 cartridges are left in the magazine, their availability can be determined by touch, by way of pressing the ring towards the magazine cover (7) with a hand. If the

tie rod (8) may be sunk into the magazine slightly, it means that a cartridge is still available. If the bent end (17) of the tie rod (8) rests against the cover (7), and the tie rod cannot be pressed into the magazine, it means that there are no cartridges in the magazine; there is no necessity of looking at the scale (18).

[0033] Magazines with the UCM, after being charged with cartridges, are put into standard pouches. Meanwhile, the tie rod (8) is bent over the corners of the magazine cover (7) and does not interfere with transportation of charged magazines.

[0034] The technical effect of the proposed invention is the development of a simple and reliable universal charging device and meter of cartridges in box magazines, which enables to load/unload cartridges quickly and monitor their number in box magazines both removed from and inserted into arms by visual and tactile methods.

[0035] The device has a minimum weight and may be easily introduced into any box magazine for an assault rifle or a gun having a spring follower.

Claims

1. A box magazine (1) and universal charging device and meter (2) for cartridges in the box magazine (1), said box magazine (1) comprising a housing (3), a follower (4), a follower spring (5) and a cover (7), said device (2) comprising a spring-elastic tie rod (8) with a lower end (13) and an upper end (10), wherein said tie rod (8) is of a plastic, metal or composite material, said tie rod (8) having first and second sides and scales (18, 19) applied to the tie rod (8) on said first and second sides, which scales (18, 19) are useable for determining a number of cartridges in said magazine (1) when said magazine (1) is either removed from, or inserted into a firearm; the upper end (10) of the tie rod (8) is connected to the follower (4), or to an upper end (12) of the follower spring (5), or to an intermediate support (9) disposed between the follower (4) and the spring (5), said upper end (10) being located inside the magazine (1); said lower end (13) of said tie rod (8) is passed through a hole (14) located in said magazine cover (7), and said tie rod (8) is able to move reciprocally when the spring (5) is compressed or tensioned,
characterized in that

- said lower end (13) of said tie rod (8) is provided with a supporting ring (16) fixed to said tie rod (8) with the use of a collar (15),
- said tie rod lower end (13) is bent by 180° and when said magazine (1) is emptied completely, said tie rod lower end (13) rests against a surface of said magazine cover (7); and
- said magazine cover (7) has protective protrusions (21) around said hole (14), said protrusions (21) extending outwardly of said surface from said magazine cover (7) to protect said tie rod (8) from sharp bending or breaking, when the magazine (1) rests against a solid surface during shooting.

Patentansprüche

1. Kastenmagazin (1) und universelle Ladevorrichtung und Zähler (2) für Patronen in dem Kastenmagazin (1), wobei besagtes Kastenmagazin (1) ein Gehäuse (3), einen Mitnehmer (4), eine Mitnehmerfeder (5) und eine Abdeckung (7) umfasst, wobei besagte Vorrichtung (2) eine federelastische Zugstange (8) mit einem unteren Ende (13) und einem oberen Ende (10) umfasst, wobei besagte Zugstange (8) aus Kunststoff, Metall oder einem Verbundwerkstoff ist, besagte Zugstange (8) eine erste und eine zweite Seite und auf der ersten und zweiten Seite der Zugstange (8) angeordnete Skalen (18, 19) aufweist, wobei die Skalen (18, 19) zur Bestimmung der Anzahl der Patronen in dem Kastenmagazin (1) verwendbar sind wenn besagtes Magazin (1) entweder aus einer Feuerwaffe entfernt oder in diese eingeführt wird; das obere Ende (10) der Zugstange (8) ist mit dem Mitnehmer (4) oder mit einem oberen Ende (12) der Mitnehmerfeder (5) oder mit einem zwischen dem Mitnehmer (4) und der Feder (5) angeordneten Zwischenträger (9) verbunden, wobei das besagte obere Ende (10) im Inneren des Magazins (1) angeordnet ist; besagtes unteres Ende (13) der besagten Zugstange (8) durch ein in der Magazinabdeckung (7) angeordnetes Loch (14) geführt wird und sich besagte Zugstange (8) reziprok bewegen kann wenn die Feder (5) zusammengedrückt oder entspannt wird,
dadurch gekennzeichnet, dass

- besagtes unteres Ende (13) der besagten Zugstange (8) mit einem Stützring (16) versehen ist, der an besagter Zugstange (8) unter Verwendung einer Manschette (15) befestigt ist,
- besagtes Zugstangenunterende (13) um 180° gebogen ist und an besagter Oberfläche der Magazinabdeckung (7) anliegt wenn das Magazin vollständig entleert ist; und
- besagte Magazinabdeckung (7) um das Loch (14) herum schützende Vorsprünge (21) hat, wobei sich besagte

EP 2 837 906 B1

Vorsprünge (21) nach außen von besagter Oberfläche von besagter Magazinabdeckung (7) erstrecken um die Zugstange (8) vor scharfem Biegen oder Brechen zu schützen wenn das Magazin (1) beim Schießen auf einer festen Oberfläche aufliegt.

5

Revendications

1. Boîtier-chargeur (1) et dispositif de chargement et de mesure universel (2) pour des cartouches dans le boîtier-chargeur (1), ledit boîtier-chargeur (1) comprenant un logement (3), un suiveur (4), un ressort de suiveur (5) et un couvercle (7), ledit dispositif (2) comprenant un tirant (8) élastique comportant une extrémité inférieure (13) et une extrémité supérieure (10), ledit tirant (8) étant constitué de plastique, de métal ou d'un matériau composite, ledit tirant (8) comportant des premier et second côtés et des graduations (18, 19) appliquées au tirant (8) sur lesdits premier et second côtés, lesdites graduations (18, 19) pouvant être utilisées pour déterminer un nombre de cartouches dans ledit chargeur (1) lorsque ledit chargeur (1) est soit retiré d'une arme à feu, soit inséré dans une arme à feu ; l'extrémité supérieure (10) du tirant (8) étant raccordée au suiveur (4), ou à une extrémité supérieure (12) du ressort de suiveur (5), ou à un support intermédiaire (9) disposé entre le suiveur (4) et le ressort (5), ladite extrémité supérieure (10) étant située à l'intérieur du chargeur (1) ; ladite extrémité inférieure (13) dudit tirant (8) étant passée à travers un trou (14) situé dans ledit couvercle (7) du chargeur, et ledit tirant (8) ayant la capacité d'effectuer un mouvement alternatif lorsque le ressort (5) est comprimé ou tendu,
- 20 **caractérisés en ce que**

- ladite extrémité inférieure (13) dudit tirant (8) est pourvue d'un anneau de support (16) fixé audit tirant (8) à l'aide d'une virole (15),
- ladite extrémité inférieure (13) du tirant présentant une courbure de 180° et, lorsque ledit chargeur (1) est complètement vidé, ladite extrémité inférieure (13) du tirant est en appui contre une surface dudit couvercle (7) du chargeur ; et
- ledit couvercle (7) du chargeur comporte des protubérances de protection (21) autour dudit trou (14), lesdites protubérances (21) s'étendant vers l'extérieur de ladite surface à partir dudit couvercle (7) du chargeur de façon à protéger ledit tirant (8) contre une flexion brusque ou une rupture, lorsque le chargeur (1) est en appui contre une surface solide lors d'un tir.

35

40

45

50

55

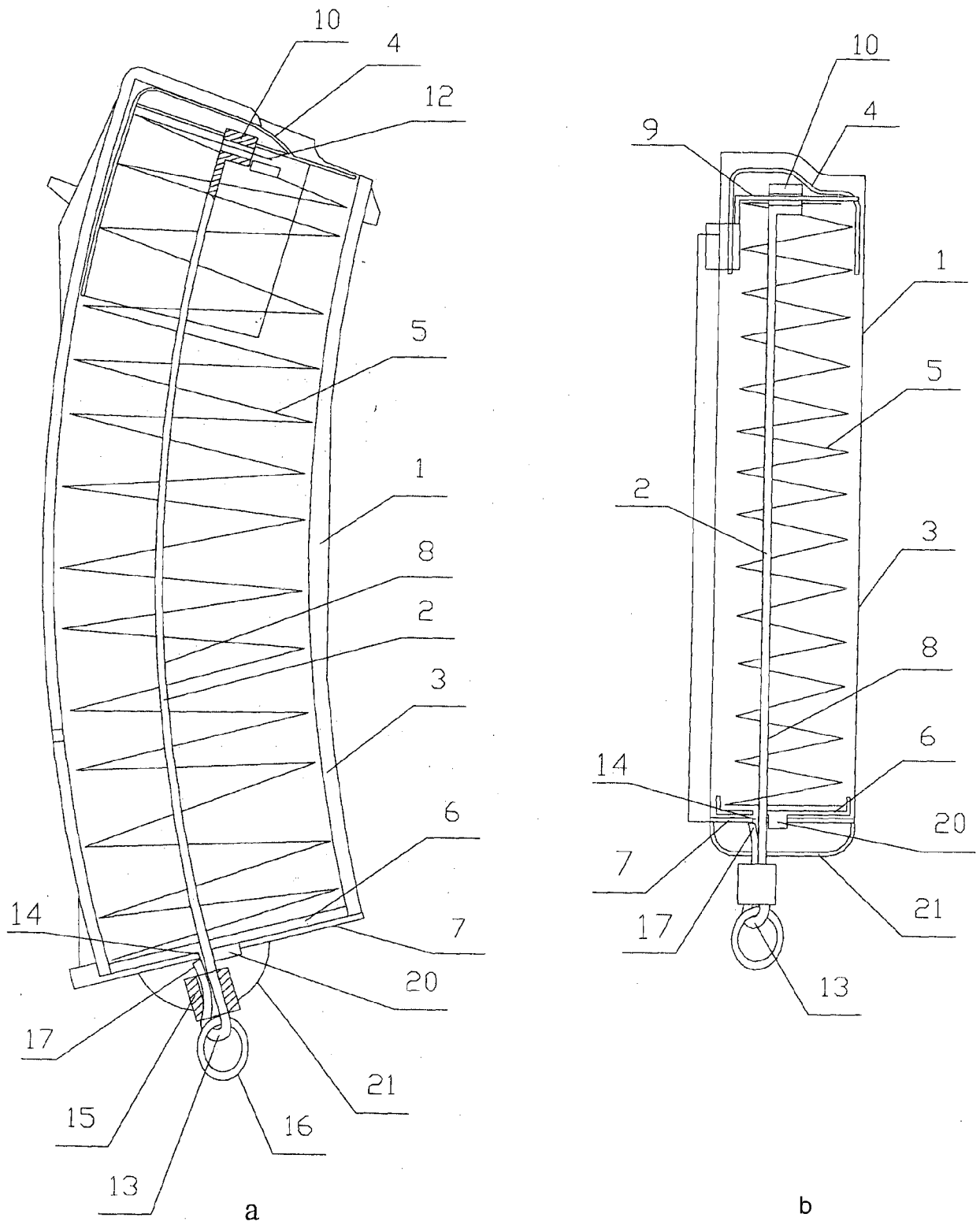


Fig. 2

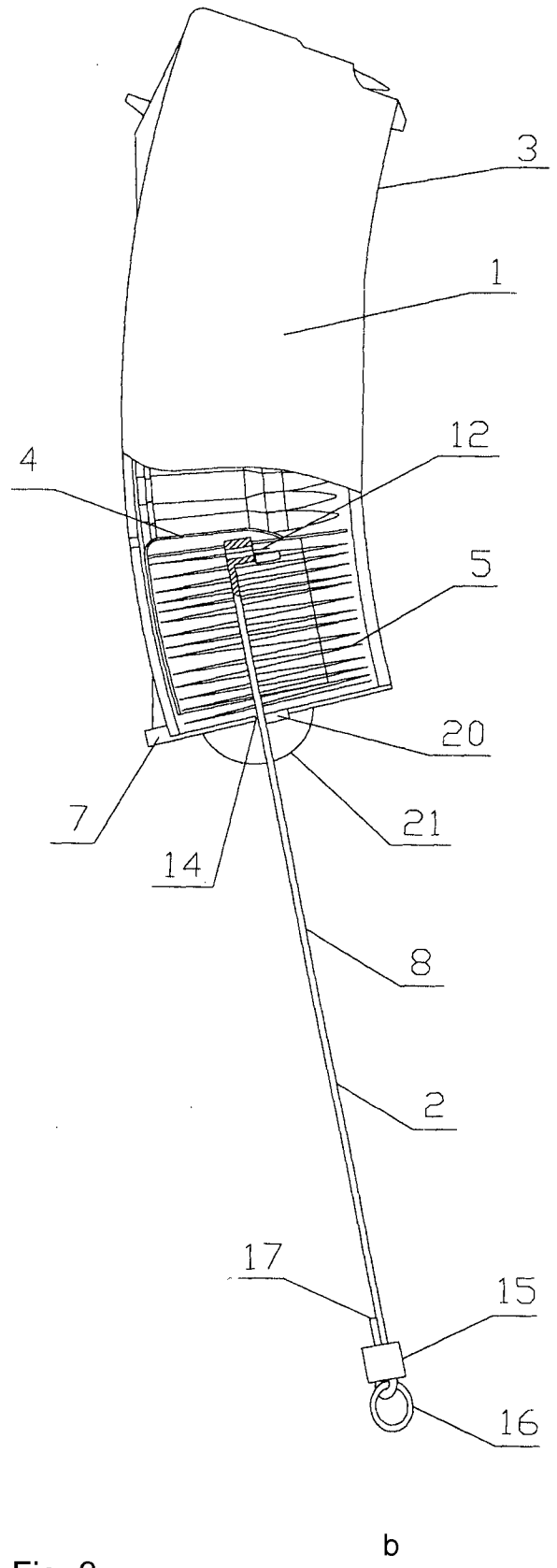
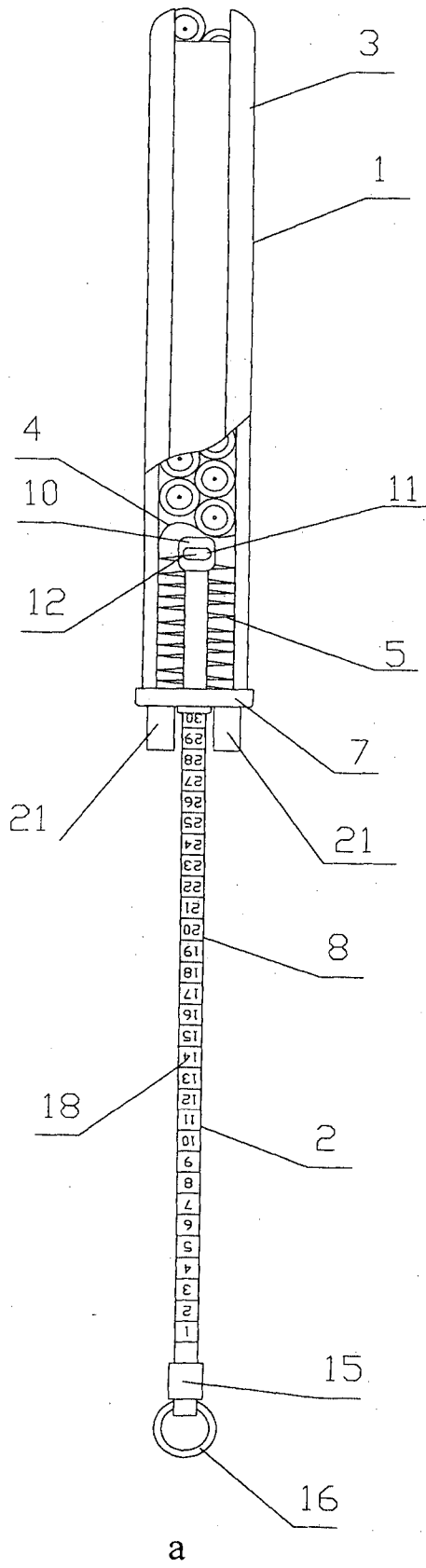


Fig. 3

REFERENCES CITED IN THE DESCRIPTION

This list of references cited by the applicant is for the reader's convenience only. It does not form part of the European patent document. Even though great care has been taken in compiling the references, errors or omissions cannot be excluded and the EPO disclaims all liability in this regard.

Patent documents cited in the description

- RU 2370718 [0009]
- RU 2030703 [0010]
- US 5291679 A [0024]

716167/KOT

UNIVERZÁLIS TÖLTŐ ÉS MÉRŐ ESZKÖZ SZEKRENYTÁRBAN LEVŐ TÖLTÉNYEKHEZ

Szabadalmi igénypontok

1 Szekrénytár (1) és univerzális töltő és mérő eszköz (2) a szekrénytárban (1) levő töltényekhez, az említett szekrénytár (1) tartalmaz egy házat (3), egy adogatót (4), egy adogató rugót (5) és egy tárfeneket (7), az említett eszköz (2) tartalmaz egy rugózóanrugalmas összekötő rudat (8) egy alsó véggel (13) és egy felső véggel (10), ahol az említett összekötő rúd (8) műanyagból, fémből vagy kompozit anyagból van, az említett összekötő rúd (8) van első és második oldala, és skálázása (18, 19), amely az összekötő rúd (8) az említett első és második oldalán van, a skálázás (18, 19) alkalmas az említett szekrénytárban (1) levő töltények számának megállapítására, amikor az említett szekrénytár (1) akár ki van véve, akár be van helyezve egy lőfegyverbe; az összekötő rúd (8) felső vége (10) az adogatóhoz (4) vagy az adogató rugó (5) felső végéhez (12) van csatlakoztatva, vagy egy köztes támasztó elemhez (9), amely az adogató (4) és a rugó (5) közé van helyezve, az említett felső vég (10) a szekrénytárban (1) belül van; az összekötő rúd (8) említett alsó vége (13) egy a tárfenekben (7) levő nyíláson (14) halad keresztül, és az említett összekötő rúd (8) arányosan el tud mozdulni, amikor az adogató rugó (5) össze van nyomva vagy ki van rugózva,

azzal jellemezve, hogy

- az említett összekötő rúd (8) említett alsó vége (13) egy tartógyűrűvel (16) van ellátva, amely egy gallérral (15) van az említett összekötő rúdhoz (8) erősítve,
- az összekötő rúd említett alsó vége (13) 180°-ban vissza van hajlítva, és amikor az említett szekrénytár (1) teljesen kiürült, az összekötő rúd említett alsó vége (13) felülkötözik az említett tárfenek (7) felszínén; és
- az említett tárfenek (7) az említett nyílás (14) körül védő kiemelkedések (21) vannak, amely kiemelkedések (21) kifelé állnak az említett tárfenek (7) említett felszínéből, hogy megvédjék az említett összekötő rudat (8) az éles meghajlástól vagy töréstől, amikor lövés közben a szekrénytár (1) szilárd felületen van megtámasztva.