



US00D598566S

(12) **United States Design Patent**
Allaer

(10) **Patent No.:** **US D598,566 S**

(45) **Date of Patent:** **** Aug. 18, 2009**

(54) **MEDICAL INSTRUMENT FOR
LABORATORY USE**

(75) Inventor: **Didier Allaer**, Villers-Le-Bouillet (BE)

(73) Assignee: **Diagenode Societe Anonyme**,
Villers-le-Bouillet (BE)

(**) Term: **14 Years**

(21) Appl. No.: **29/322,760**

(22) Filed: **Aug. 12, 2008**

(51) **LOC (9) Cl.** **24-02**

(52) **U.S. Cl.** **D24/230**

(58) **Field of Classification Search** D24/216,
D24/224, 227-232; 422/63-64, 99-104,
422/266, 297, 300; 211/71.01, 85.13; 217/58;
D3/294, 295; 206/563

See application file for complete search history.

(56) **References Cited**

U.S. PATENT DOCUMENTS

D323,400 S *	1/1992	Frenkel et al.	D24/230
D325,975 S *	5/1992	Grade et al.	D24/230
D382,346 S *	8/1997	Buhler et al.	D24/227
D413,391 S *	8/1999	Lapeus et al.	D24/229
D413,677 S *	9/1999	Dumitrescu et al.	D24/227
D421,130 S *	2/2000	Cohen et al.	D24/229
D428,497 S *	7/2000	Lapeus et al.	D24/227

D433,759 S *	11/2000	Mathis et al.	D24/227
D448,854 S *	10/2001	Kuiper et al.	D24/230
D461,554 S *	8/2002	Lafond et al.	D24/227
D484,989 S *	1/2004	Gebrian	D24/230

* cited by examiner

Primary Examiner—T. Chase Nelson

Assistant Examiner—Mark Cavanna

(74) *Attorney, Agent, or Firm*—Ladas & Parry LLP

(57) **CLAIM**

The ornamental design for a medical instrument for laboratory use, as shown and described.

DESCRIPTION

FIG. 1. is a top, right perspective view of a medical instrument for laboratory use showing my new design;

FIG. 2 is a front view thereof;

FIG. 3 is a rear view thereof;

FIG. 4 is a left side view thereof;

FIG. 5 is a right side view thereof;

FIG. 6 is a top plan view thereof; and,

FIG. 7 is a bottom plan view thereof.

The broken lines are included for the purpose of illustrating a portion of the medical instrument for laboratory use that forms no part of the claimed design.

1 Claim, 4 Drawing Sheets

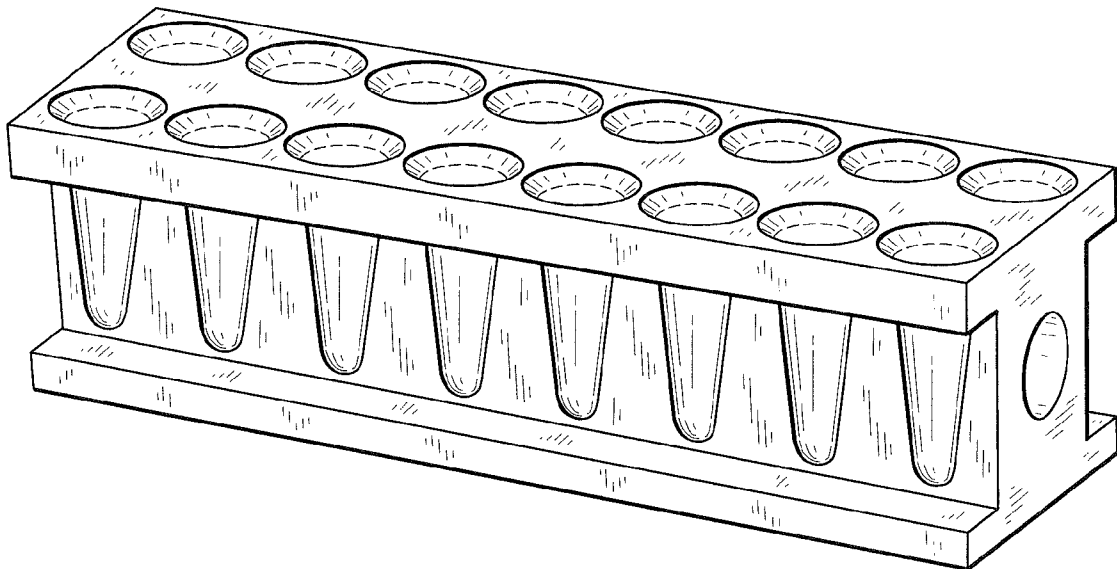


FIG. 1

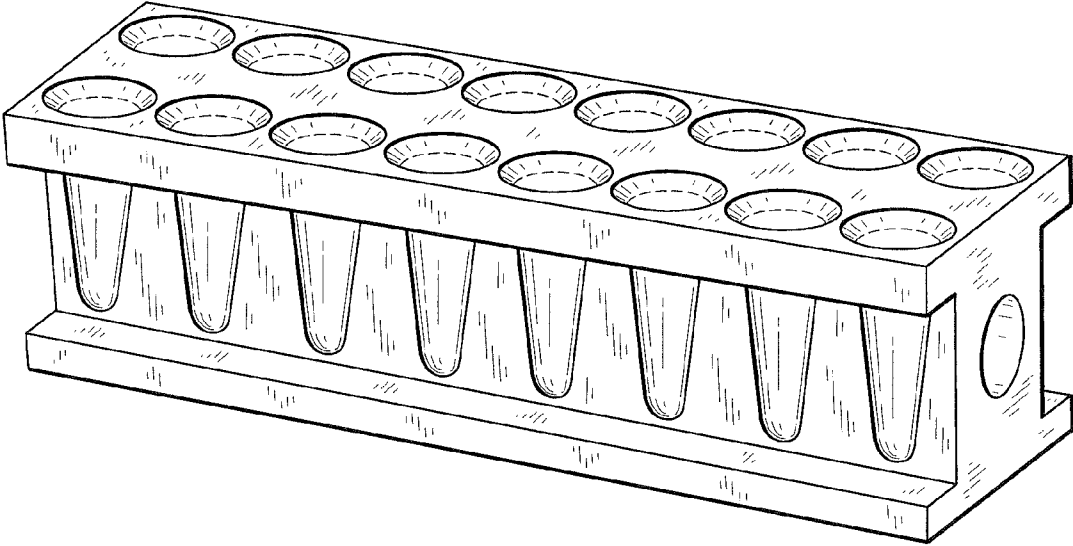


FIG. 2

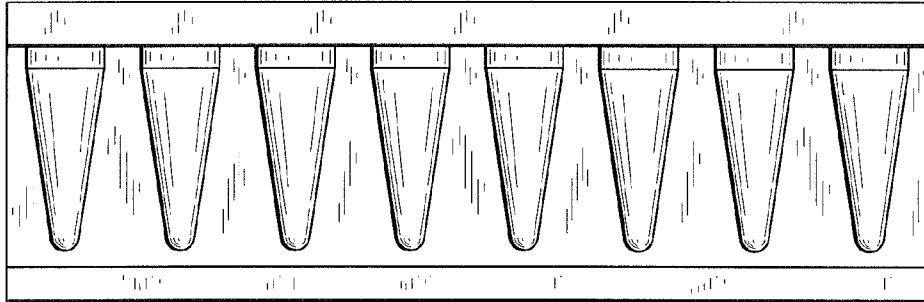


FIG. 3

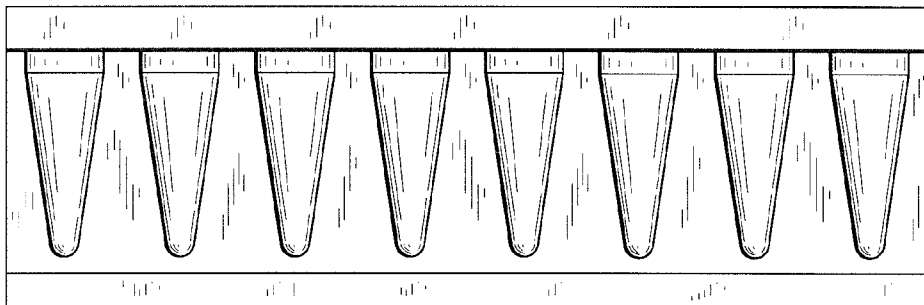


FIG. 4

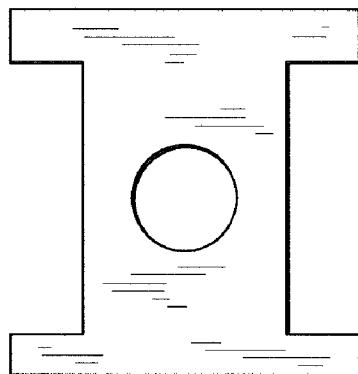


FIG. 5

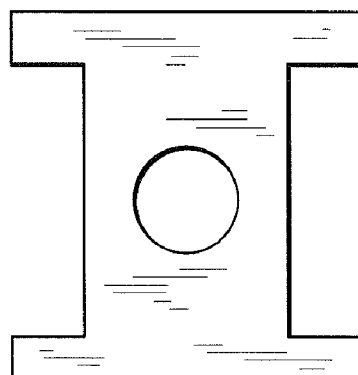


FIG. 6

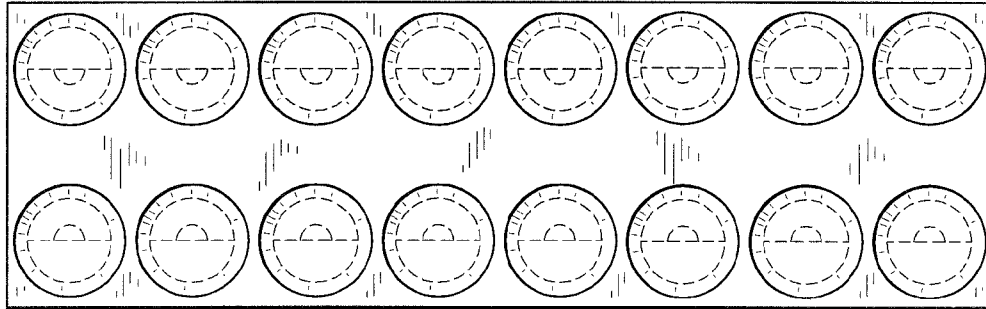


FIG. 7

