

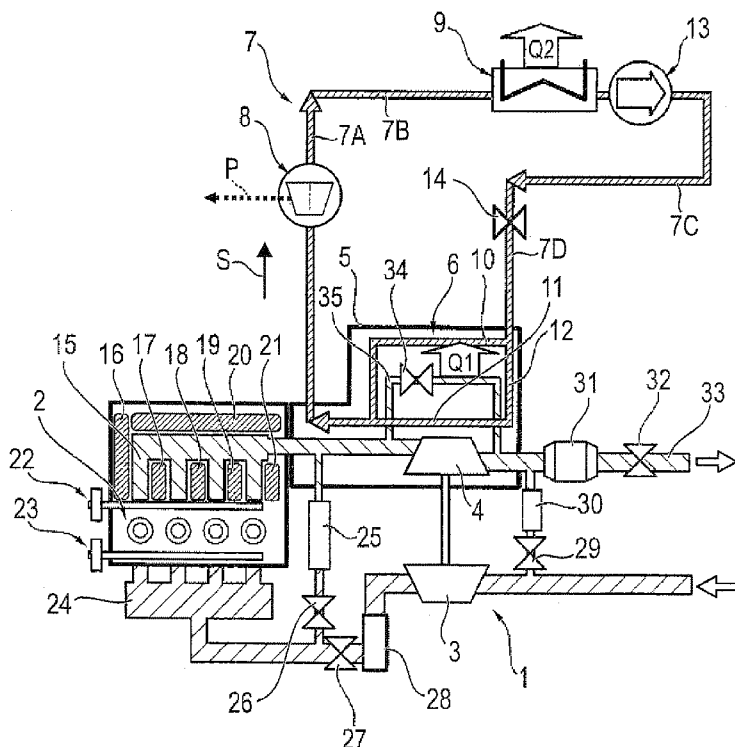


- (51) International Patent Classification:
F02B 39/00 (2006.01) *F02B 37/18* (2006.01)
F01K 25/02 (2006.01) *F01N 5/02* (2006.01)
- (21) International Application Number:
PCT/US2011/055235
- (22) International Filing Date:
7 October 2011 (07.10.2011)
- (25) Filing Language: English
- (26) Publication Language: English
- (30) Priority Data:
10 2010 048 142.4
11 October 2010 (11.10.2010) DE
- (71) Applicant (for all designated States except US):
BORGWARNER INC. [US/US]; Patent Department,
3850 Hamlin Road, Auburn Hills, Michigan 48326 (US).
- (72) Inventor; and
- (75) Inventor/Applicant (for US only): **JOERGL, Volker**
[AT/AT]; Primelweg 6, A-2384 Breitenfurt (AT).

- (74) Agents: **BROOKS, Cary, W.** et al.; BrooksGroup, 48685 Hayes, Shelby Township, Michigan 48315 (US).
- (81) Designated States (unless otherwise indicated, for every kind of national protection available): AE, AG, AL, AM, AO, AT, AU, AZ, BA, BB, BG, BH, BR, BW, BY, BZ, CA, CH, CL, CN, CO, CR, CU, CZ, DE, DK, DM, DO, DZ, EC, EE, EG, ES, FI, GB, GD, GE, GH, GM, GT, HN, HR, HU, ID, IL, IN, IS, JP, KE, KG, KM, KN, KP, KR, KZ, LA, LC, LK, LR, LS, LT, LU, LY, MA, MD, ME, MG, MK, MN, MW, MX, MY, MZ, NA, NG, NI, NO, NZ, OM, PE, PG, PH, PL, PT, QA, RO, RS, RU, RW, SC, SD, SE, SG, SK, SL, SM, ST, SV, SY, TH, TJ, TM, TN, TR, TT, TZ, UA, UG, US, UZ, VC, VN, ZA, ZM, ZW.
- (84) Designated States (unless otherwise indicated, for every kind of regional protection available): ARIPO (BW, GH, GM, KE, LR, LS, MW, MZ, NA, RW, SD, SL, SZ, TZ, UG, ZM, ZW), Eurasian (AM, AZ, BY, KG, KZ, MD, RU, TJ, TM), European (AL, AT, BE, BG, CH, CY, CZ, DE, DK, EE, ES, FI, FR, GB, GR, HR, HU, IE, IS, IT, LT, LU, LV, MC, MK, MT, NL, NO, PL, PT, RO, RS, SE, SI, SK, SM, TR), OAPI (BF, BJ, CF, CG, CI, CM, GA, GN, GQ, GW, ML, MR, NE, SN, TD, TG).

[Continued on next page]

(54) Title: EXHAUST TURBOCHARGER OF AN INTERNAL COMBUSTION ENGINE



(57) Abstract: The invention relates to an exhaust turbocharger (1) of an internal combustion engine (2) having a compressor (3), and having a turbine (4), which comprises a turbine housing (5), wherein the turbine housing (5) comprises an evaporator (6), to which heat deriving from the exhaust gases of the internal combustion engine (2) can be admitted for the evaporation of a working fluid, and wherein the evaporator (6) is flow-connected to a line arrangement (7), in which a steam turbine (8) and downstream of that a condenser (9) are arranged, viewed in the direction of flow (S) of the working fluid.

WO 2012/051062 A3

Declarations under Rule 4.17:

- *as to applicant's entitlement to apply for and be granted a patent (Rule 4.17(ii))*
- *as to the applicant's entitlement to claim the priority of the earlier application (Rule 4.17(iii))*
- *of inventorship (Rule 4.17(iv))*

Published:

- *with international search report (Art. 21(3))*
- *before the expiration of the time limit for amending the claims and to be republished in the event of receipt of amendments (Rule 48.2(h))*

(88) Date of publication of the international search report:

21 June 2012

A. CLASSIFICATION OF SUBJECT MATTER*F02B 39/00(2006.01)i, F01K 25/02(2006.01)i, F02B 37/18(2006.01)i, F01N 5/02(2006.01)i*

According to International Patent Classification (IPC) or to both national classification and IPC

B. FIELDS SEARCHED

Minimum documentation searched (classification system followed by classification symbols)

F02B 39/00; F01K 23/10; F01K 25/02; F01D 1/00; F02B 33/44; F01D 15/10; F02C 6/00

Documentation searched other than minimum documentation to the extent that such documents are included in the fields searched

Korean utility models and applications for utility models

Japanese utility models and applications for utility models

Electronic data base consulted during the international search (name of data base and, where practicable, search terms used)

eKOMPASS(KIPO internal) & Keywords: turbocharger, exhaust, internal, combustion, engine, compressor, turbine, evaporator, fluid, working, steam, flow, fluid, connection, condenser

C. DOCUMENTS CONSIDERED TO BE RELEVANT

Category*	Citation of document, with indication, where appropriate, of the relevant passages	Relevant to claim No.
A	US 2010-0199631 A1 (VILIMEC LADISLAV et al.) 12 August 2010 See the abstract, paragraphs 0043, 0068-0069, and figure 1	1-10
A	US 2008-0116691 A1 (LIN YAO-CHANG) 22 May 2008 See the abstract, paragraphs 0014-0020, and figure 2	1-10
A	US 2010-0146967 A1 (SIMPSON ALEXANDER et al.) 17 June 2010 See the abstract, paragraphs 0019-0022, and figure 1	1-10
A	US 7475541 B2 (IBARAKI SHIGERU et al.) 13 January 2009 See the abstract, column 4 lines 5 - 56, and figures 1,2	1-10

 Further documents are listed in the continuation of Box C. See patent family annex.

* Special categories of cited documents:

"A" document defining the general state of the art which is not considered to be of particular relevance

"E" earlier application or patent but published on or after the international filing date

"L" document which may throw doubts on priority claim(s) or which is cited to establish the publication date of citation or other special reason (as specified)

"O" document referring to an oral disclosure, use, exhibition or other means

"P" document published prior to the international filing date but later than the priority date claimed

"T" later document published after the international filing date or priority date and not in conflict with the application but cited to understand the principle or theory underlying the invention

"X" document of particular relevance; the claimed invention cannot be considered novel or cannot be considered to involve an inventive step when the document is taken alone

"Y" document of particular relevance; the claimed invention cannot be considered to involve an inventive step when the document is combined with one or more other such documents, such combination being obvious to a person skilled in the art

"&" document member of the same patent family

Date of the actual completion of the international search

01 MAY 2012 (01.05.2012)

Date of mailing of the international search report

02 MAY 2012 (02.05.2012)

Name and mailing address of the ISA/KR

Korean Intellectual Property Office
Government Complex-Daejeon, 189 Cheongsu-ro,
Seo-gu, Daejeon 302-701, Republic of Korea

Facsimile No. 82-42-472-7140

Authorized officer

LEE, TAEK SANG

Telephone No. 82-42-481-5492



INTERNATIONAL SEARCH REPORT

Information on patent family members

International application No.

PCT/US2011/055235

Patent document cited in search report	Publication date	Patent family member(s)	Publication date
US 2010-0199631 A1	12.08.2010	CN 101929386 A EP 2253807 A1 KR 10-2010-0047813 A RU 2009139900 A	29.12.2010 24.11.2010 10.05.2010 10.05.2011
US 2008-0116691 A1	22.05.2008	None	
US 2010-0146967 A1	17.06.2010	None	
US 7475541 B2	13.01.2009	EP 1443183 A1 EP 1443183 A4 JP 2003-120281 A US 2004-0231330 A1 WO 03-031775 A1 WO 03-033881 A1	04.08.2004 18.10.2006 23.04.2003 25.11.2004 17.04.2003 24.04.2003