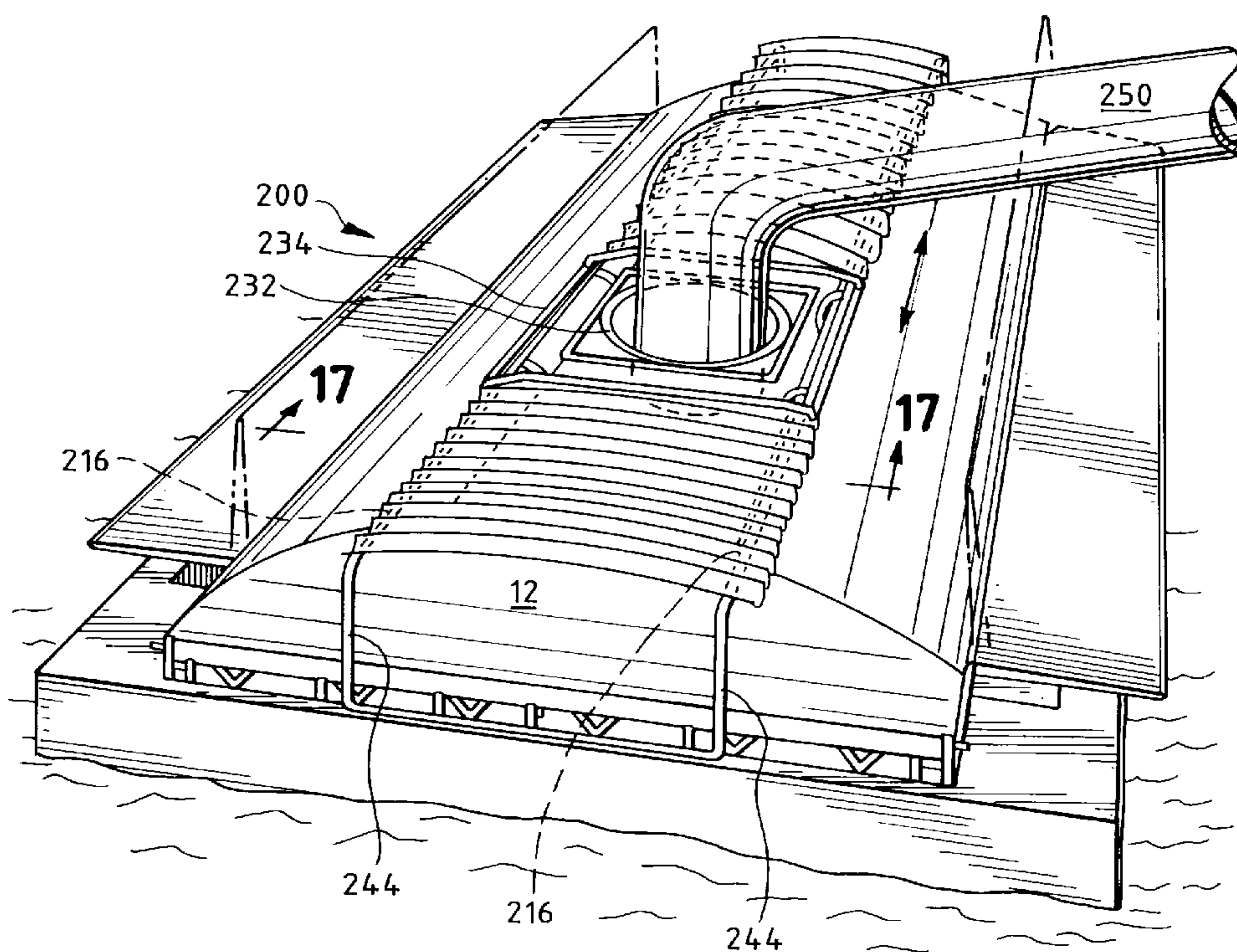




(72) SHIELDS, Glen E., CA
(72) JONES, Barry D., CA
(73) CANPOTEX SHIPPING SERVICES LIMITED, CA
(51) Int.Cl.⁶ B63B 19/14
(30) 1998/04/29 (09/070,128) US
(54) **COUVERCLE D'ECOUTILLE DE NAVIRE**
(54) **SHIP HATCH COVER**



(57) A ship hatch cover of lightweight, water impervious sheet material covers the hatch of a ship to permit loading of bulk materials during inclement weather while protecting the cargo from potential damage or spoiling from rainwater or other contaminants. The hatch cover includes a frame or superstructure for spanning the open portion of a ship's hatch. A lightweight, flexible, water impervious sheet material is stretched over the frame to prevent any moisture or other contaminants from entering the ship's hold while the ship cover is in place. A plurality of separately accessible ports or openings permit even distribution of a particulate or fluent cargo, such as potash or agricultural products.

SHIP HATCH COVER

ABSTRACT OF THE DISCLOSURE

A ship hatch cover of lightweight, water impervious sheet material covers the hatch of a ship to permit loading of bulk materials during inclement weather while protecting the cargo
5 from potential damage or spoiling from rainwater or other contaminants. The hatch cover includes a frame or superstructure for spanning the open portion of a ship's hatch. A lightweight, flexible, water impervious sheet material is stretched over the frame to prevent any moisture or other contaminants from entering the ship's hold while the ship cover is in place. A plurality of separately accessible ports or openings permit even distribution of a particulate or fluent cargo,
10 such as potash or agricultural products.

SHIP HATCH COVER

5

BACKGROUND OF THE INVENTION

The present invention concerns a method and a device for permitting the handling or loading of cargo aboard a ship during inclement weather and, in particular, to an all-weather, portable hatch cover which permits the loading of bulk, particulate or fluent cargo, into the hold of a ship, for example, while it is raining, while protecting the cargo from damage that could be caused by moisture or other contaminants.

FIELD OF THE INVENTION

The invention relates to devices for shielding cargo by protecting the hatch opening of a ship from precipitation or other contamination during cargo loading.

15 If perishable goods, such as agricultural products, potash, or similar goods, are to be transported by ship or barge, foul or inclement weather can substantially delay or inhibit the loading of the cargo onto the barge or ship resulting in increased costs. Modern day ocean-going ships that are used to transport unpackaged or bulk particulate or fluent cargo, such as alfalfa pellets, agricultural products, minerals, salt, potash and other fertilizers, and other types of goods, are generally constructed with at least one large hatch or opening in the deck of the ship that permits access to the hold below. Typically, the hatch is closed by a hatch cover in which the hatch covers, when closed, shield the hold and prevent any water or contaminants from entering or mixing with the cargo. The hatch covers typically are sized to fit and sealingly close the open end of the hatch and may be opened for loading or unloading purposes. A typical hatch will

include two or more portions or sections in which the outermost two sections are generally hinged for pivotal upward movement at the ends of the hatch that are normally perpendicular to the longitudinal length of the ship. Intersections of the hatch covers are pivotally connected or hinged to adjacent section edges so as to fold against one another when the hatch is opened for loading or unloading.

When the hatch cover is either partially or totally opened for loading, a substantially large area or opening to the hatch is exposed. The size of this hatch opening can range anywhere from approximately 250 to 550 square meters.

In normal loading operations, during good weather, a conveyORIZED boom is lowered into the opening and the cargo is dispensed. The boom is moved around slightly during the loading operation to insure that the particulate or fluent material is spread out sufficiently within the hold of the ship. However, many bulk products, such as agricultural grains and processed materials, such as potash and salt, can be severely damaged if they are exposed to rain or other sources of water and, therefore, loading these types of products onto ships must often be delayed until the weather conditions change. This is not only a major inconvenience, but it is also very uneconomical, and often prohibitive to require a ship to wait for improved weather before loading can proceed. Therefore, there is a desire and a need for a system or device that can be used to permit loading of this type of cargo during inclement weather.

Large covers of the type shown in U.S. Patent No. 4,237,809 have been proposed for permanent installation and are typically movable for loading or unloading cargo, but provide no protection during inclement weather. U.S. Patent No. 4,130,125 discloses a lightweight hatch cover and provides a substantial degree of ventilation, but no protection for loading cargo during inclement weather. Similarly, Patent No. 2,844,117 discloses a device to protect the hatch opening during bad weather conditions. However, this device includes a plurality of metal

sections and other elements to make it collapsible, but would be relatively expensive to manufacture and cumbersome in use. By contrast, the all-weather loading portable hatch cover of the present invention has a simplified construction and other improvements as will be recognized with respect to the following description.

5 Other types of hatch covers have been disclosed, for example, in U.S. Patent Nos. 524,137; 3,312,990; 4,130,125; 4,393,888; 4,237,809; and 4,941,422.

SUMMARY OF THE INVENTION

Accordingly, it is a general object of this invention to protect the hatch opening of a vessel, such as a ship or barge, from precipitation during cargo loading.

10 Another object of the invention is to provide a device to eliminate precipitation and other contaminants from entering the hold of a ship during the loading process.

Another object of the invention is to provide an economical, relatively lightweight hatch cover to be used for loading cargo during inclement weather.

15 Another object of the present invention is to provide a ship hatch cover which permits loading of perishable cargo into ships which have variable size hatch openings.

Yet another object of the present invention is to provide a hatch cover of this general type that includes a plurality of openings or a movable opening so that particulate or fluent materials can be evenly loaded within the hold of a ship.

20 Another object of the present invention is to provide a ship hatch cover of this general type having a movable port mounted above a longitudinal opening in the cover so that fluid materials can be spread evenly within the hold of a ship.

Another object of the present invention is to provide a method for loading cargo onto a ship during inclement weather while precluding contamination of the cargo with foreign material, such as precipitation, dust, and the like.

Other objects, features and advantages of the present invention will be found throughout the following description and the accompanying drawings.

BRIEF DESCRIPTION OF THE INVENTION

The present invention provides a hatch cover for a vessel, such as a ship or a barge, which includes a covering of water impervious material to prevent precipitation, or the like, from entering the hold of a ship or barge while it is being loaded with cargo during inclement weather. The hatch cover includes a main central portion which spans the hatch from side to side and which is covered with a lightweight, impervious material. A pair of pivotally attached extensions or wings on each of the longitudinal sides of the hatch cover insure complete coverage of the hatch opening, which vary in size from ship to ship. A plurality of separately openable, circular openings or ports are provided in the hatch cover and are each selectively openable so that the cargo can be loaded through various openings to provide more even loading of the cargo within the hold of the ship. A movable opening variation includes a design with a single movable opening or port mounted above a longitudinal opening in the hatch cover. Bellows connected to either side of the movable opening close the longitudinal opening on either side of the movable port.

BRIEF DESCRIPTION OF THE DRAWINGS

Figure 1 is a perspective view of the all-weather loading portable hatch cover made in accordance with the present invention;

Figure 2 is a top plan view of the ship hatch cover made in accordance with the concepts of the present invention with the cover sheeting removed;

Figure 3 is a side elevational view of the ship hatch cover of Figure 2;

Figure 4 is an end elevational view of the ship hatch cover of the present invention;

Figure 5 is an enlarged plan view of the port structure made in accordance with the present invention;

Figure 6 is a side elevational view of the port structure of Figure 5;

Figure 7 is an elevational view of a counterbalancing torsion spring assembly;

5 Figure 8 is a front elevational view of one of the port cover elements of the present invention;

Figure 9 is a side elevational view of the port cover element of Figure 8;

Figure 10 is an enlarged view of the roller mounting mechanism for the port cover shown in Figure 8;

10 Figure 11 shows the port hood which is mounted on the filling spout of the boom to prevent rainwater from entering through the port in the hatch cover during loading;

Figure 12 is a side elevation of the arch truss member of the present invention;

Figure 13 is an enlarged elevational view of the wing mounting bracket of the present invention;

15 Figure 14 is a side elevational view of one of the wing elements made in accordance with the present invention;

Figure 15 is a side elevational view of the arch truss shown in Figure 10;

Figure 16 is a perspective view of the all-weather loading portable hatch cover made in accordance with an alternate embodiment of the present invention;

20 Figure 17 is a side elevational view of the ship hatch cover of Figure 16 taken generally along line 17-17 of Figure 16;

Figure 18 is a top plan view of the portable hatch cover made in accordance with the alternate embodiment of Figure 16;

Figure 19 is a side elevational view of the ship hatch cover of Figure 16 with the water impervious, sheet cover material removed to expose the frame; and

Figure 20 is an end elevational view of the ship hatch cover of Figure 16 with the cover sheet material removed.

5 **DETAILED DESCRIPTION OF THE PREFERRED EMBODIMENT**

Referring to Figures 1 and 2, the all-weather loading portable hatch cover in accordance with the first embodiment of the present invention, generally designated 10, is shown in two conditions. Figure 1 shows the hatch cover with a water impervious, sheet material 12 secured to the frame of the hatch cover 10 as will be described in greater detail hereinafter. The sheet covering can be made of any suitable material, such as reinforced plastic, canvas or other material, that is tough, durable and impervious to water. Preferably, however, the cover 12 is extremely tough and tear-resistant and non-stretching, so that it can be stretched taut over the frame and will not sag at points where it is not directly supported. An alternate embodiment of the present invention is shown in Figures 16 through 20 and will be described hereinafter.

15 For clarity, and clearness of understanding of the invention, the portable hatch cover, as shown in Figures 2 through 6 and Figures 8 through 12, are shown in the assembled condition, but with the cover 12 removed to expose the super-structure or main frame, generally designated 14. In the preferred embodiment, the frame 14 is made of tubular steel and plate steel elements that have been coated with a corrosion-resistant material such as that sold under the name Zinga.

20 Referring again to Figure 1, the frame 14 includes a generally rectangular lower frame portion 16 manufactured by welding the individual elements together as a single unit. The lower frame 16 is generally rectangular in shape as shown, having two side elements 18 as shown in Fig. 3 and two end elements 20 as shown in Fig. 4. In each case a plurality of rigidifying members or webs 21 of 1 9/16 inch O.D., 14 ga. structural steel tubing welded between top and

bottom stringers 22 and 24, respectively, which are 4 inch O.D. 10 ga. structural steel. Also, 6 T shaped vertical members 34 are welded at the locations shown for connecting additional elements as will be described in greater detail hereinafter. In the successfully tested design, the overall size of the lower frame 14 was 60 feet long by 24 feet wide. However, it will be clear to one of ordinary skill in the art that the hatch cover must be sufficiently rigid and sized according to the size of the ship hatch to be covered. Also, any suitable material, such as aluminum or a desired alloy can be used if desired and the size of the components and the number of bracing members used will vary depending on the strength of the material selected.

It should also be noted that when the portable hatch cover is being used, the inclement weather may also be relatively windy and the large surface area of the cover 20 could tend to act as a sail upon catching a gust of wind. Therefore, it is desirable that the assembled unit be relatively heavy, in addition to being rigid, so that it will resist lifting during a steady wind or moderate gusts of wind. The hatch cover, as described in the preferred embodiment is approximately 10,000 pounds and thus would not be readily moved by a gust of wind. Also, such weight will provide stability and rigidity when a crane is being used to hoist the portable cover onto the open hatch of a ship. Alternatively, other systems could be employed to prevent movement of the portable hatch cover once it is positioned over the hatch opening. For example, mechanical clamps or other attachment means could be provided to interconnect or lock the portable hatch cover over the open hatch. Similarly, a plurality of electromagnets could be provided at spaced positions along the edges of the main frame, such that they would align with iron or steel elements on the hatch or deck of a ship. Once the portable hatch cover was moved into position, the electromagnets could be energized from power supplied from the ship or from a remote location on the dock.

Alternatively, the elements of the frame could be made in boltable sections that are approximately 30 feet long and 12 feet wide. Each section could be identical with one another and be manufactured separately and then bolted together as a single unit. In this case, each section could have a pair of vertical plates at the location 26 at their ends which bolt to the end
5 plate of the adjacent frame section and sandwich there between the generally outwardly extending wing mounting arm or flange described below.

In the preferred embodiment, the entire 60 foot length is formed as an integral piece with the 28 diagonal strengthening webs or ribs welded as shown at about 60 between the upper and lower stringers 22 and 24. Each of the stringers is preferably made of 4" diameter steel tubing
10 and the ends are closed by a vertical pair of similar tubing sections 28, approximately 3 feet long.

The six vertical flange connecting elements 34 are also welded at the increment shown for supporting a wing bracket 30 and the arch truss 40 shown in Figure 12. The arch truss 40 includes an upper arch member 42 and a lower arch member 44. The arch members 42 and 44 are again interconnected with a plurality of welded strengthening ribs 46 which are welded in the
15 arrangement as shown. The upper and lower arch members 42 and 44 are made of 14 gauge 2-3/8" structural tubing while the strengthening ribs 46 are made of 1" diameter 14 gauge structural tubing. A pair of end plates 48 are welded to the ends of the arch members 44 and 42 and, as shown in Figure 15, include a plurality of bolt holes or apertures 50.

Each side section 18 is spaced apart by and connected to the end sections 20, as shown in
20 Figure 4, which is similarly constructed of upper and lower stringers, 22 and 24, and diagonal strengthening or rigidifying web members 21. The end sections 20 and the side members 18 are preferably welded at their junctions, sharing the vertical members 28 which serve as corner posts, to provide a very rigid, rectangular frame.

The arch trusses 40 have their end plates 48 mounted to the inside surface of the respective vertical members 34 to provide the generally rectangular frame 14 having five arch trusses 40 connected from side to side in a generally parallel arrangement.

A plurality of apertures or ports, generally designated 70, are provided at the top or uppermost point between the arch trusses 40, and are used for filling or loading the ship as will be described in greater detail hereinafter. In the embodiment, as shown, three structures 72 are provided for three apertures or ports 70. Referring in particular to Figure 5, each port structure 72 includes a large circular element or ring 74 and an inner circular ring 76 which are connected by eight rib elements 78 as shown. The included angle between the lower ring 74 and the rib 78, designated A in Fig. 6 of the preferred embodiment is 58, although the inventors are aware of the fact that this angle can be substantially varied. The circular port assemblies are sized so that the larger ring 74 spans the distance between adjacent arch trusses 40 with the lower ring 74 being connected to the lower arch element 44 at its midpoint by a clamp or welding. In the preferred embodiment, an additional pair of horizontal supports 80 are connected between adjacent lower arch truss members 44 to support the outermost edges of each of the ring members 74.

In order to provide a smooth contour at the longitudinal ends of the frame, a plurality of angled risers 82 are supplied to support the cover sheet 12. In one embodiment, once the main frame 14 has been assembled, the impervious cover is stretched over the frame and attached in a conventional manner by straps and tightening ratchets to the lowermost stringers 24 so as to be stretched taut across the entire frame. Three circular apertures are provided in the cover 12 and are substantially the same diameter as the ring elements 76. A plurality of apertures are provided adjacent the edges of the circular openings so that the cover can be lashed to the ring 76 in a conventional fashion.

In addition to the above described main frame section 14 of the portable hatch cover, the assembled unit includes a plurality of port covers 82, one for each opening 70 and a pair of longitudinal outriggers or wings 84 which add to the flexibility and usefulness of the cover. As described above with respect to the loading of particulate or fluent cargo, it is necessary to move
5 the feed nozzle to various locations within the hatch opening on the ship to insure even filling so that a maximum amount of cargo can be loaded. Therefore, in this embodiment, three ports or apertures 70 are provided for three specific, fixed filling locations. It would also be preferable if a movable or slidable portal or opening were provided, while at the same time, insuring a ring-tight fit. For example, an accordion-type flexible bellows could be provided on either side of the
10 center aperture, for example, and a support system devised for moving the aperture to different locations along the longitudinal axis during use. In the present embodiment of the invention, only one of the openings 70 will be in use at a particular time and, therefore, three ports or apertures 82 are provided for covering the respective apertures 70. In another embodiment contemplated by the present inventors, a single, movable hatch opening may be provided so that
15 it can be positioned at different relative locations along the longitudinal length of the portable hatch cover for even distribution of cargo. In one such system, an overlapping pair of belts could be supported to define a movable slot to permit the loading of cargo at various positions along the length of the portable hatch cover.

Each of the port or aperture covers 82, as shown in Figures 8 and 9, includes five
20 generally arcuate parallel ribs 84, each of which is welded to a similar tube 86 at each end. Five horizontal ribs 88 are also connected near the lower ends of the arcuate ribs 84 and one or more vertical or angled stabilizing ribs 90 between the elements 88 and the arcuate 84 are provided for additional rigidity. Preferably, one vertical support 90 and two angled supports 90 shown in Figure 8, should be used. Typically, all of the tubing elements for the above-described port

cover are made of 1" diameter 14 gauge structural tubing which is similarly treated for corrosion resistance. Preferably, at least three additional rigidifying tubing members are provided for each of the port covers 82. As shown in Figure 10, a longitudinal tube 116 extends parallel to the rail 100 and is welded to each of the transverse members 88 on each side of the cover structure 82.

5 Similarly, an uppermost support member 118 connects the top points of the arcuate ribs 84 to provide an integrally welded frame or structure upon which an impervious cover is lashed tightly as described previously.

Referring to Figure 10, a movable mounting means is provided for each port or aperture 82 so that it can be moved to provide access to the port or opening beneath. The view shown in

10 Figure 10 is an enlarged section showing the lower end of one of the port covers 82. Four of these roller supports are typically provided for each port cover for support at each corner. The main frame structure 14 includes two rails 100 which run the entire longitudinal length of the hatch cover 10. The rails 100 are made of 3" diameter tubing for supporting a roller 102 as shown in Figure 10. Each of the rails 100 include three depending flanges 104 which are bolted

15 to three similar, aligned upwardly extending flanges 106 mounted on the top of the upper ring 76 of the port structure as described previously.

The roller 102 is rotatably mounted by an axle 110 to a pair of depending flanges 112 welded near the end of the respective end elements 88 on each of the three ports or apertures 82. In this manner, the rollers 102 support the four corners of each port cover assembly for sliding

20 movement along the longitudinal direction of the hatch cover 10. Also as shown in Figure 10, a pair of safety latches 114 are provided and extend downwardly from the axle 110 curving inwardly toward the flange 104 to prevent a gust of wind or other force to inadvertently lift the relatively lightweight port cover off of the rails 100.

In this way, a port cover 82 is provided for each of the ports 70 and it is mounted for sliding movement on the rail and roller assembly described with respect to Figure 10. During the loading operation, one of the apertures is exposed and the feed nozzle extended there through for loading. As can be seen in Figure 11, the feed nozzle is fitted with a hood 105 in a manner such that the nozzle extends downwardly past the lower edge of the hood 105 and, therefore, can extend into one of the ports 70 for loading. The hood 105 is designed so that it can be mounted at many positions on the feed nozzle so that more or less of the feed nozzle may extend past the bottom of the hood. A truncated, conically shaped flange 105, as shown in Figure 11 is mounted on the feedloading nozzle to insure that rain or other contaminants do not enter through the hatch by the annular space between the nozzle and the diameter of the aperture. Preferably, the bottom of the hood 105 should not contact the cover 12 but is sized such that the diameter at the lower edge is sufficiently larger than the diameter of the port 70 so that precipitation or other contaminants do not enter through the port during loading. When filling is completed at one particular location, the filling nozzle is raised and that particular port on the portable hatch cover is closed and one of the other apertures is opened and loading begins again.

As described previously, the size of the hatch openings between different ships may vary significantly. Therefore, a pair of outriggers or wings 84 are provided along the longitudinal sides of the hatch cover 10 to accommodate the use of the cover in many situations. The wings 84, as shown in Figure 14, are generally triangular in shape being formed by two long tubing elements 122L and 122S and very short tubing element 124. The three tubing elements 122L, 122S and 124 are welded together at their ends and the assembly is pivotally mounted at the point where the rods 122L and 124 form a right angle as will be described in greater detail hereinafter. As seen in Figure 1, the outermost ends of the tubing elements 122 are welded to a

longitudinal connecting member 126. A flexible neoprene or rubber flap or cushion 130 is connected to the end of the wing 84 for abutment to the adjacent hatch cover surface on the ship.

As noted above, the wings 84 are supported for pivotal movement on the flanges 30, thereby providing the ability to essentially adjust the width of the hatch cover from 26 feet if the wings were set in a vertical position and an overall width of 38 feet 5-1/2" if the wings 84 are essentially horizontal. The lowermost wing element 122L is substantially larger and more rigid than the upper element 122S and the small vertical elements 124 are welded to a 2-3/8" diameter 14 gauge structural tubing member 130 which extends substantially the entire length of the hatch cover. The large tubing member 133 is rotatably supported in the six flanges 30 and permits the wing element to pivot around its axis. The wing element structure, in addition to the tubing elements 122, 124 and 130 include four similarly spaced sets of the three triangular members 122L, 122S and 124 as well as L pair of diagonal or strengthening elements 134 at each end. Preferably, additional strengthening tubing elements 136 which is connected to the inner ends of member 122S for added rigidity and stability. Also, another lengthwise rigidifying tubing element 137 is preferably connected along the entire longitudinal length of the wing. The final assembly of the wings 84 is completed by stretching tightly the sheeting cover portion 10 such as that used in the other elements of the hatch cover.

When the wings are thus covered, the weight is quite substantial and it would be difficult to pivot the wing upwardly and inwardly about the pivot tube 130. Therefore, a counterbalancing torsional spring 140, as shown in Figure 7, is provided as necessary to counterbalance the weight of the wing assembly.

In the preferred embodiment, six torsional springs on each side were found to be sufficient to facilitate manual movement of the respective wing 84. The wire size of the torsion spring was .283" while the coil diameter was 3.75" and the LGT No. 27. The torsional spring

140 was connected in the usual manner to the stationary flange 30 at one end and to one of the rib elements 122L at the other. Alternatively, a right and left hand spring have been used and similarly connected to the appropriate member. Each spring 140 had a tension adjustment element 146 as is conventionally used to counterbalance home garage doors. It has been found to be advantageous for the spring tension on the innermost springs to be slightly higher than the next adjacent outwardly moving springs so as to provide a slight upward bow in each wing. The upward bowing of the wing and the covering sheet 12 facilitates in proper drainage of rainwater when the portable hatch cover is in use.

In addition to the counterbalancing of the wings as described in the foregoing paragraph, it is also contemplated that means to assist the movement of the wings could be provided in the form of a mechanical, hydraulic, electrical or other system. For example, a conventional mechanical crank could be provided on each wing to facilitate pivotal movement of the wing. Similarly, a hydraulic system could easily be incorporated using one or more hydraulic cylinders to pivot the wings through their entire arcuate path of movement. Likewise, an electric motor could easily be adapted to assist in the movement of the wings. Any of the mechanical, hydraulic or electrical devices could operate each wing selectively or both wings simultaneously and be powered from onboard the vessel, or alternatively, from the dock, as described above with respect to the electromagnetic, holddown system.

Finally, in order to prevent any precipitation from entering the ship hatch between the edge of the main frame section and the inner edge of the respective wing 84, a flexible gutter, generally designated 150, has been provided. The gutter 150 includes a relatively flexible rubber portion, which is connected at its upper ends between two rectangular tubing elements 154 so that any precipitation that would be directed to this area would flow outwardly toward one or the other end of the open hatch. The inner end of the cover portion 12 for each of the wing sections

84 extends inwardly substantially past the innermost tubing element 136 and over the gutter portion 150 so that it will loop into the gutter slightly as shown by the dotted line 160 in Figure 14 and will vary or move up or down slightly depending upon the relative rotational position of the respective wing 84. In the preferred embodiment, a plurality of apertures are provided for lifting the hatch cover onto the open hatch of a ship. Four apertures are provided, one at each corner of the frame 16 to which cable hooks can be used to grasp and lift the hatch cover.

The foregoing description of the all-weather portable hatch cover of the first embodiment of the present invention can be seen to provide a hatch cover capable of protecting cargo when the cargo is being loaded into the open hatch of a ship during inclement or rainy weather. The hatch cover 10 is relatively lightweight and simple in construction but sufficiently rigid and heavy enough so that it is not affected by gusts of wind that may accompany the inclement weather. The main frame section, as described above, is approximately 26 feet in width, but can easily be expanded to 38 1/2 feet by the extra length made possible by the wings 84. Obviously, the wings could be made substantially larger if desired or removed from the hatch cover if they were not needed. In some locations, depending upon the available shipping, it may be desirable to have a number of different sets of wings of different sizes so that they can be removed and replaced with another size, depending upon the size of the hatch cover in the ship to be loaded. The multiple ports permit more even filling, insuring that a full cargo load can be shipped.

Referring now to Figures 16 through 20, an alternate embodiment of the all-weather loading, portable hatch cover of the present invention, generally designated 200, is shown in two conditions. Figure 16 shows the hatch cover with a water impervious, sheet material 12 secured to the frame of the hatch cover 200 as will be described in greater detail hereinafter. The sheet covering 12 can be made of any suitable material such as reinforced plastic, canvas, metal sheeting or any other material that is tough, durable and impervious to water, preferably,

however, the cover 12 is extremely tough, tear resistant and resistant to stretching so that it can be stretched taut over the frame and will not sag at points where it is not directly supported.

For clarity and clearness of understanding of the invention, the portable hatch cover is shown in Figures 17 through 20 is shown in the assembled condition, but with the cover sheet material 12 removed to expose the superstructure or main frame. Also, for clarity, like numbers are used to describe like elements of the invention as shown in the alternate embodiment. Referring again to Figures 16 and 19, the embodiment generally designated 200 includes a main frame 14 that is made of tubular steel and plate steel elements that are preferably treated in a conventional manner to resist corrosion. Typically, a corrosion resistant material can be applied such as a zinc plating or a liquid corrosion resistant material.

The main frame 14 includes a generally rectangle lower frame portion 16 manufactured by welding the individual elements together as a single unit. The lower frame 16 is generally rectangular in shape as shown, having two side elements 18 as shown in Figure 19 and two lower end elements 20 as shown in Figure 20. In each case a plurality of rigidifying members or webs 21 are connected between top and bottom stringers 22 and 24, respectively. The other additional elements of the frame are generally similar to that described previously with respect to the first embodiment. Alternatively, the elements of the frame can be made in boltable sections that are each approximately 30 feet long and 12 feet wide. Each section could be identical with one another and be manufactured separately and then bolted together as a single unit. In this case, each section could have a pair of vertical plates at the location 26 at their ends which bolt to the end plate of an adjacent frame section and sandwiched there between the general outwardly extending wing mounting arm or flange 30 as described below.

As pair of arcuate arch trusses 40 are connected by similar end plates 48 on the inside surface of the respective vertical members 34 at each end of the frame. In this embodiment, there

is only one pair of trusses 40 at each end as opposed to the 6 pairs of trusses disclosed in the previous embodiment. In this embodiment, a pair of longitudinal, spaced stringers 206 are mounted between the top trusses 40 to provide one long, large, generally rectangular opening which is centrally located on the frame from end to end between the trusses 40. The stringers 5 206 are connected to and supported by a plurality of rigidifying members or webs 208 connected to the top stringers 22 of the lower frame 16 as shown in Figures 18 and 19. This construction provides for a lengthwise, centrally located rectangular opening 210 in the top of the hatch cover.

However, to prevent rain and the like from entering the hatch of a ship when open, the opening 210 is closed by a two-part bellows 214. The bellows 214 is mounted for expansion and 10 contraction on a pair of longitudinal rails 216 mounted above and just outside the ends of the opening 210 by a plurality of arcuate support members 220 secured to the stringers 206 as shown in Figure 17. The bellows 214 includes a plurality of ribs 222 at spaced positions which are supported by the stringers 216 to permit the bellows 214 to expand and contract. A movable port 230 is provided by a laterally movable central ring set 232 which is also movably mounted by a 15 rectangular frame 234 on the rails 216 for movement along the longitudinal axis of the hatch cover. The port 230 can be constructed in a manner as described with respect to Figure 5 described above with respect to the prior embodiment, the difference being that the ring assembly 232 is supported by the frame 234 to be movable along the length of the opening 210. The frame 234 of the port 230 is constructed so as to be connected at its longitudinal opposite 20 sides 240 to a portion of the bellows 214 mounted on either side thereof. In this way, the port 230 and support frame 234 can be moved in a longitudinal direction on the rails 216 so that filling of the ship hold can occur at any determined location. In this way, a more even controlled filling of the ship cargo hold can be accomplished. For example, in Figure 19, the port 230 is shown at the leftmost end of the frame, while the right-hand portion of the bellows is completely

extended and the lefthand portion of the bellows 214 is completely collapsed. As the aperture 230 is moved to the right as shown in Figure 19, the bellows portion on the right collapses and the bellows portion on the left expands. The ends of the support rails 216 extend outwardly to the end of the frame and are curved downwardly to the bottom of the frame by the vertical elements 244 as shown in Figure 16. In this way, the funnel 250 can be used to introduce the fluent material through the port 230 at any point along the length of the opening 210 in the top of the frame.

The combination of the bellows 214 which closes the longitudinal aperture 210 and the cover material 12, prevent rain, snow and the like from entering the open hatch of the ship while it is being loaded. Again, a shroud can be provided around the funnel 250 to prevent even a small amount of rain or the like from entering through the space provided between the funnel 250 and the ring 232 of the aperture 230.

It is also contemplated that a suitable dust control system could be added in order to comply with many applicable environmental regulations and/or to reclaim at least a portion of the cargo that may be lost as dust or powder. In particular, it would be possible to mount, for example, a dust collector on the arch trusses or on two adjacent arch trusses of the main frame. The dust collector would be in communication with the underside of the cover through an appropriate aperture and powered to eliminate or remove the dust being generated under the cover during loading. The collected dust could also be delivered, if reclaimed, directly back into the hold of the ship through another aperture in the cover, or evacuated by an appropriate connection off of the ship being loaded.

However, it should be understood that the foregoing, detailed description has been given for clearness of understanding only and no unnecessary limitations should be understood therefrom as many modifications and adaptations would be obvious to those skilled in the art.

**THE EMBODIMENTS OF THE INVENTION IN WHICH AN EXCLUSIVE
PROPERTY OR PRIVILEGE IS CLAIMED ARE DEFINED AS FOLLOWS:**

1. A portable hatch cover for covering the open hatch of a vessel to permit loading,
5 of cargo during inclement weather, comprising:
a main frame section;
a waterproof covering extending over the frame;
at least one elongated opening in the covering;
support means mounted along the opening;
10 a movable port mounted on the support means over the elongated opening in order
to permit loading at any point along the length of the opening; and
means for closing the remainder of the opening mounted on the support means
and connected to the movable port with ability to expand and contract depending
on the position of the movable port.
- 15
2. The portable hatch cover of Claim 1, including connection means for lifting the
portable hatch cover onto the opening hatch of a ship to be loaded.
3. The portable hatch cover of Claim 1, including means on the frame extending past
20 the periphery thereof to ensure complete closure of the hatch opening.
4. The portable hatch cover of Claim 1, wherein the means for closing the opening
comprises an expandable bellows connected to either side of the movable port.
- 25
5. A portable, all-weather, ship hatch cover for covering the open hatch of a ship to
facilitate loading of cargo during inclement weather, comprising:
a generally rectangular frame having an arcuate upwardly extending shape;
a water impervious, stretch resistant cover extending over the upper surface of the
frame;
30 at least one elongated aperture in the top of the cover to permit passage of fluent
cargo into the hold of a ship; and

means for closing the aperture mounted above the aperture, said closing means having a movable port to permit selective distribution of fluent cargo through the hatch.

- 5 6. The portable hatch cover of Claim 5 including, connection means for lifting, the portable hatch cover onto the open hatch of a ship to be loaded.
7. The portable hatch cover of Claim 5 including means on the frame extending past the periphery thereof to ensure complete closure of the hatch opening.
- 10 8. The portable hatch cover of Claim 5 wherein the means for closing, the aperture comprises an expandable bellows connected to either side of the movable port.
- 15 9. A method for loading, cargo through a hatch of a ship during inclement weather to prevent contamination of the cargo, comprising the steps of:
 providing a generally rectangular frame having, an arcuate upwardly extending shape;
 covering the frame with a water impervious, stretch-resistant cover extending over the upper surface of the frame;
 creating at least one elongated aperture in the top of the cover to permit passage of
 20 fluent cargo into the hold of a ship;
 providing at least one port mounted for movement over the aperture to permit an even distribution of fluent cargo by loading through the hatch at different locations;
 loading the cargo onto the ship by feeding the cargo through the movable port;
 and
 25 providing means for substantially covering the aperture outside of the movable port.
- 30 10. The method for loading cargo through the hatch of a ship according to claim 9, including, the step of lifting the hatch cover onto the open hatch of the ship to be loaded.

11. The method for loading cargo through the hatch of a ship according to claim 9, including steps of providing extending means on the frame to ensure complete closure of the hatch opening.

5 12. The method for loading cargo through the hatch of a ship according to claim 9, including step of providing extending means on the frame to ensure complete closure of the hatch opening.

10 13. The method for loading cargo through the hatch of a ship according to claim 12, including the step of covering the movable port with a port cover.

FIG. 1

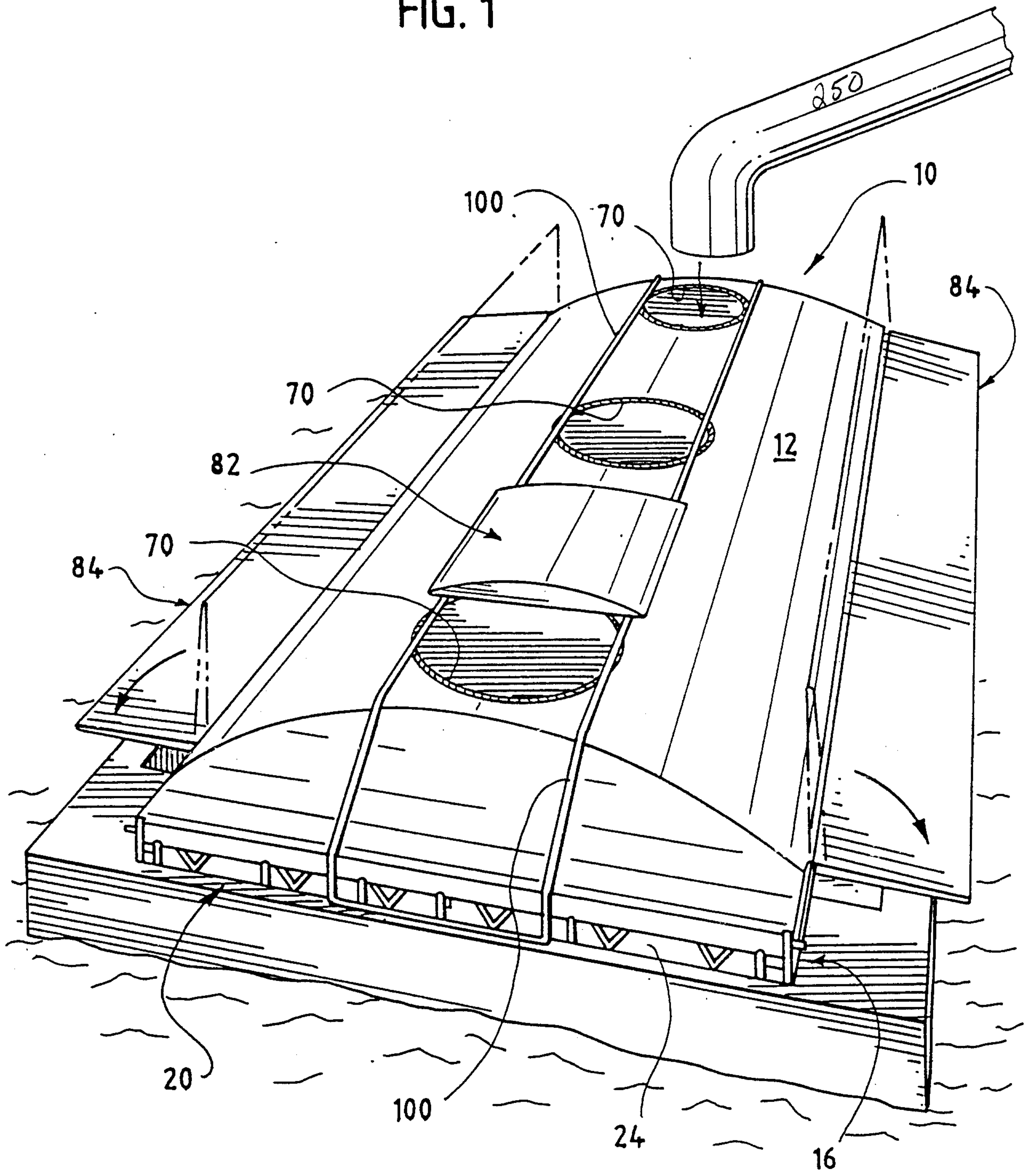
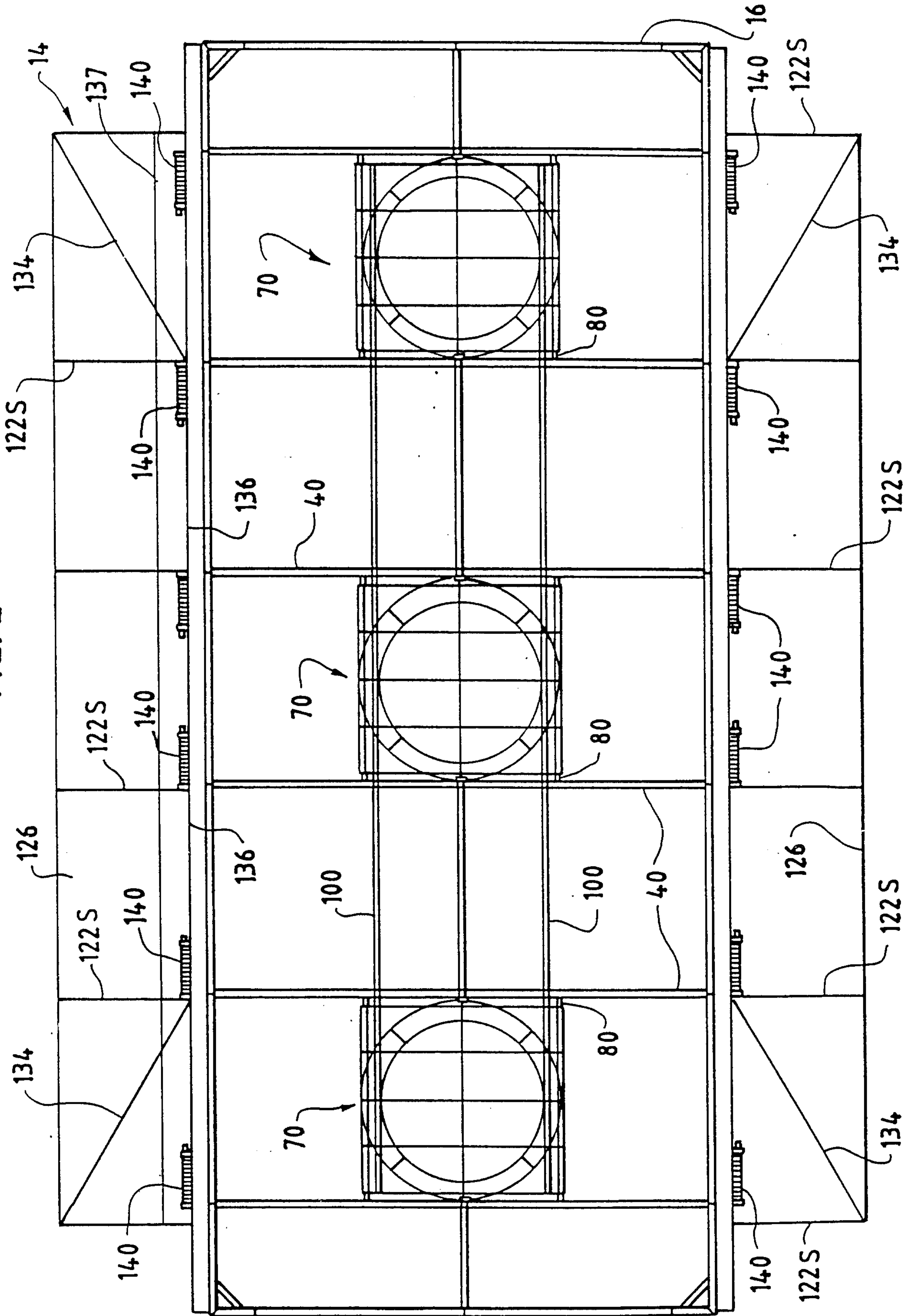


FIG. 2



3/10

FIG. 3

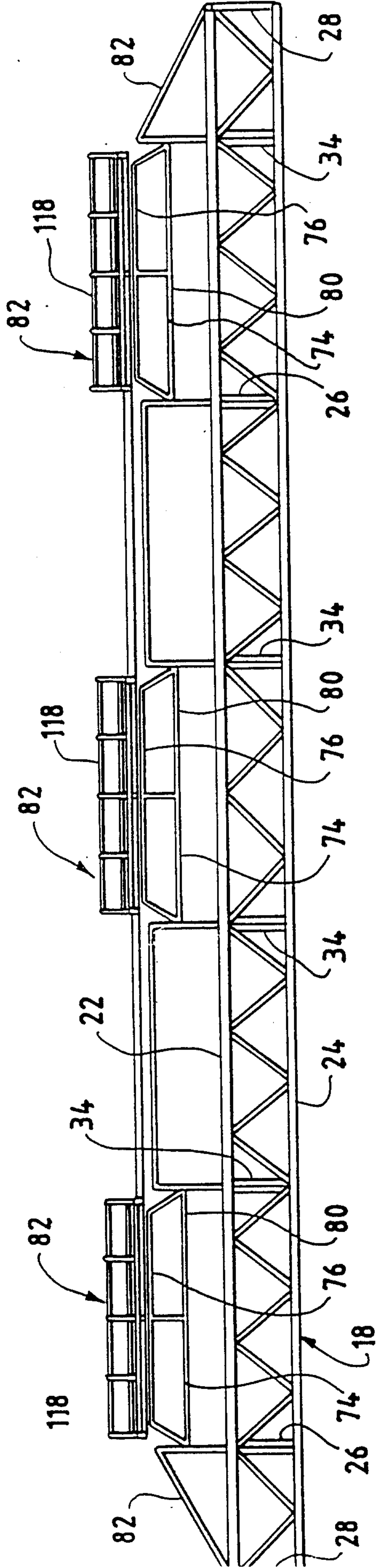


FIG. 4

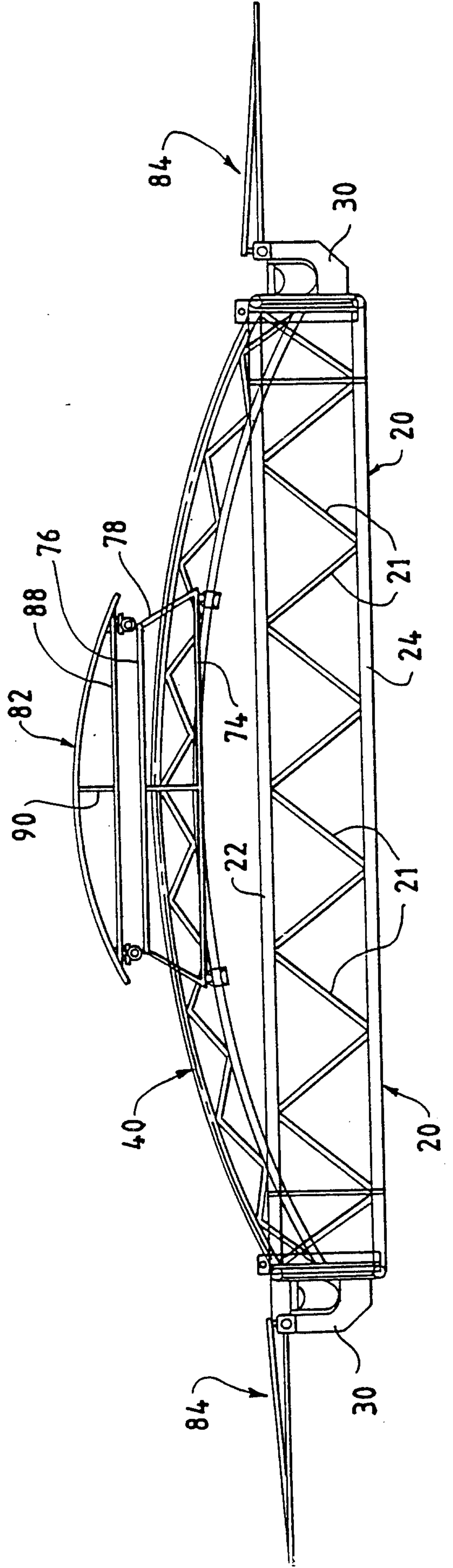


FIG. 6

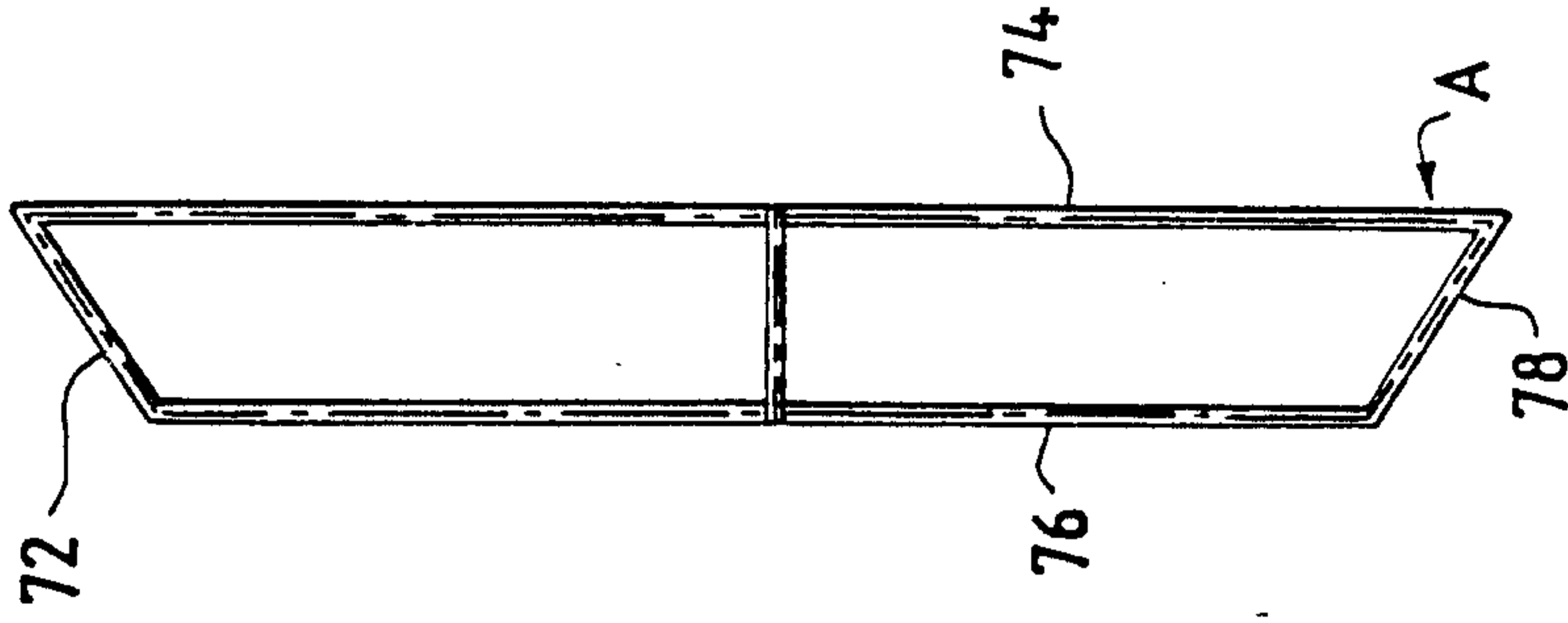


FIG. 5

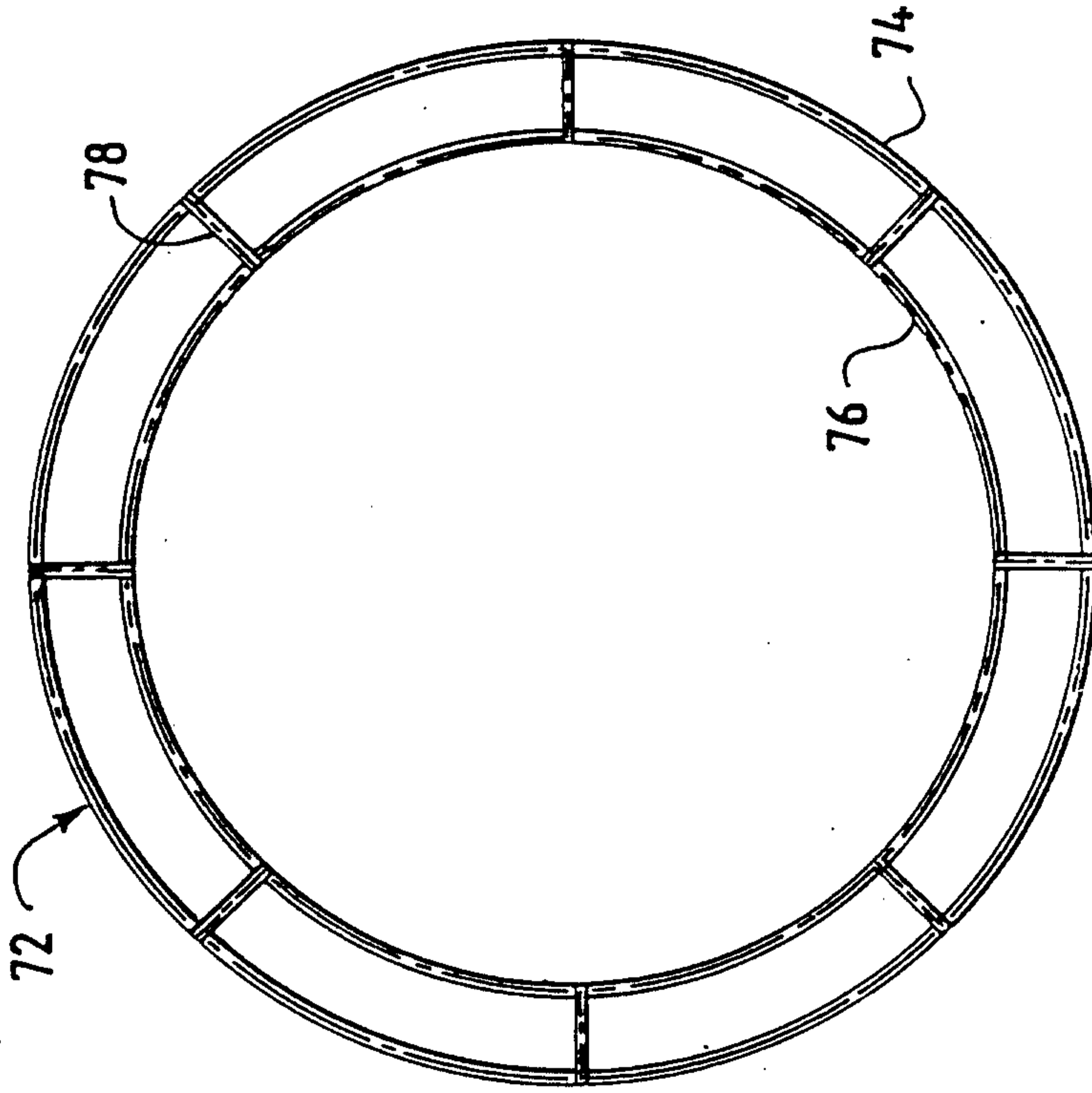
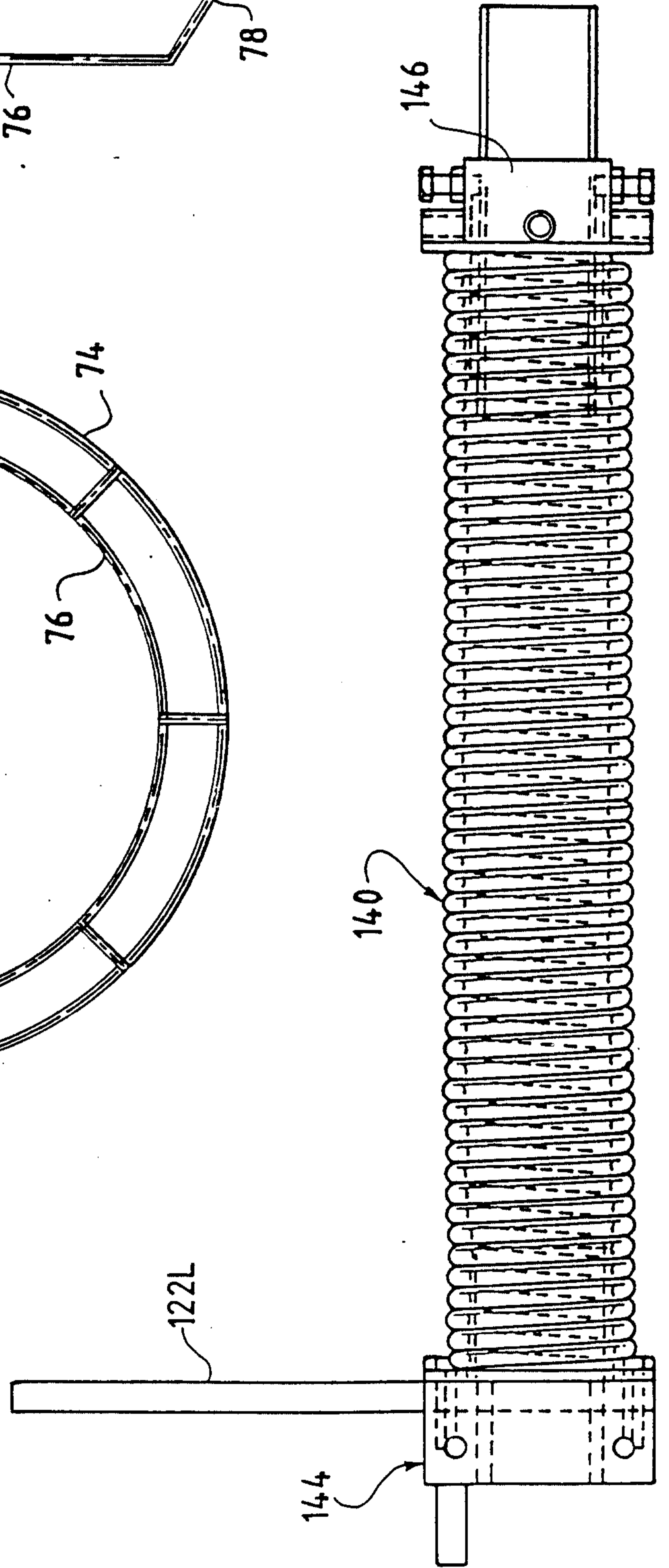


FIG. 7



5/10

FIG. 8

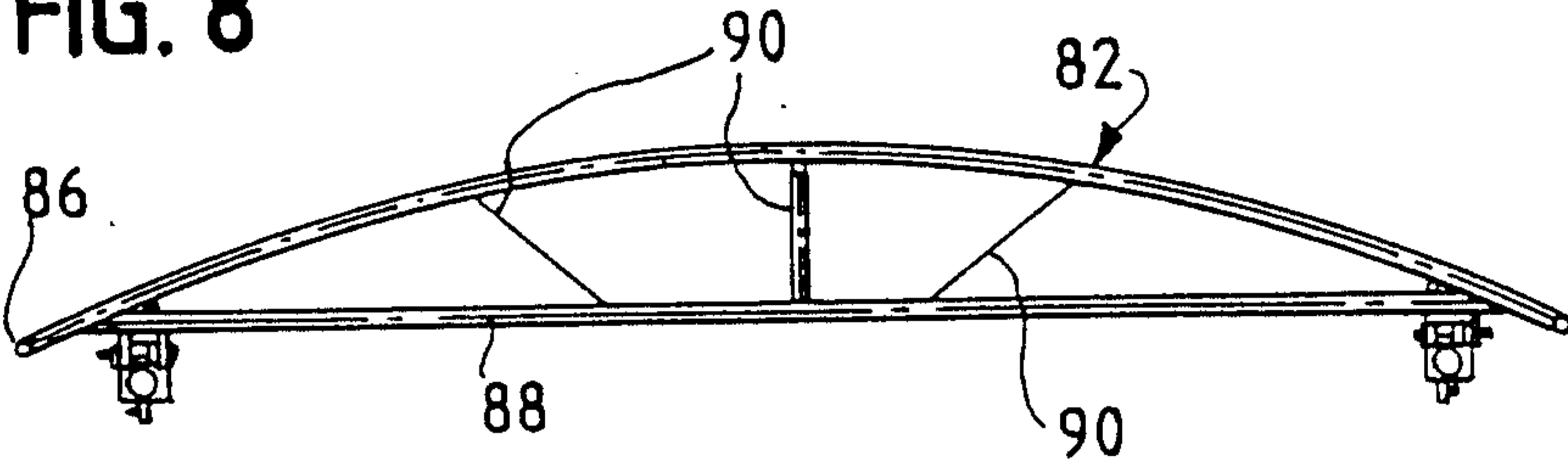


FIG. 9

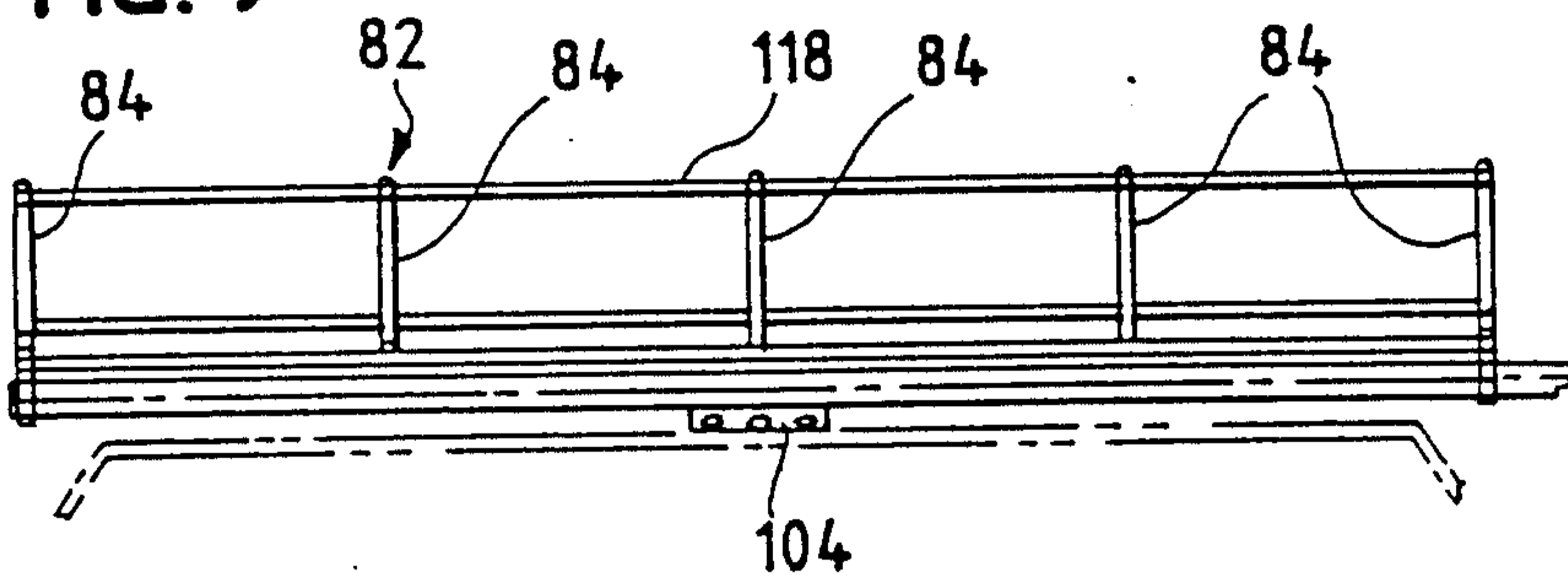


FIG. 11

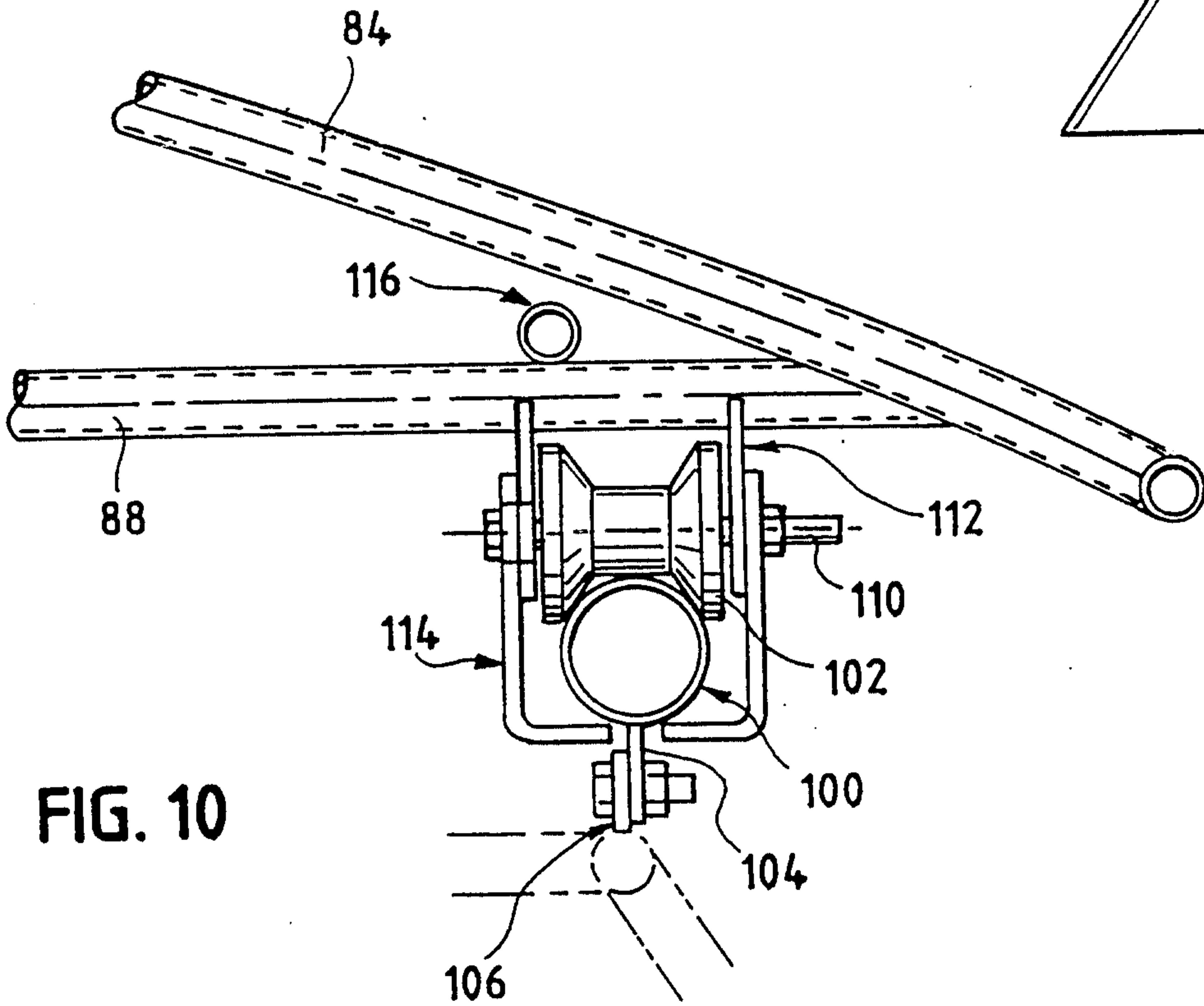
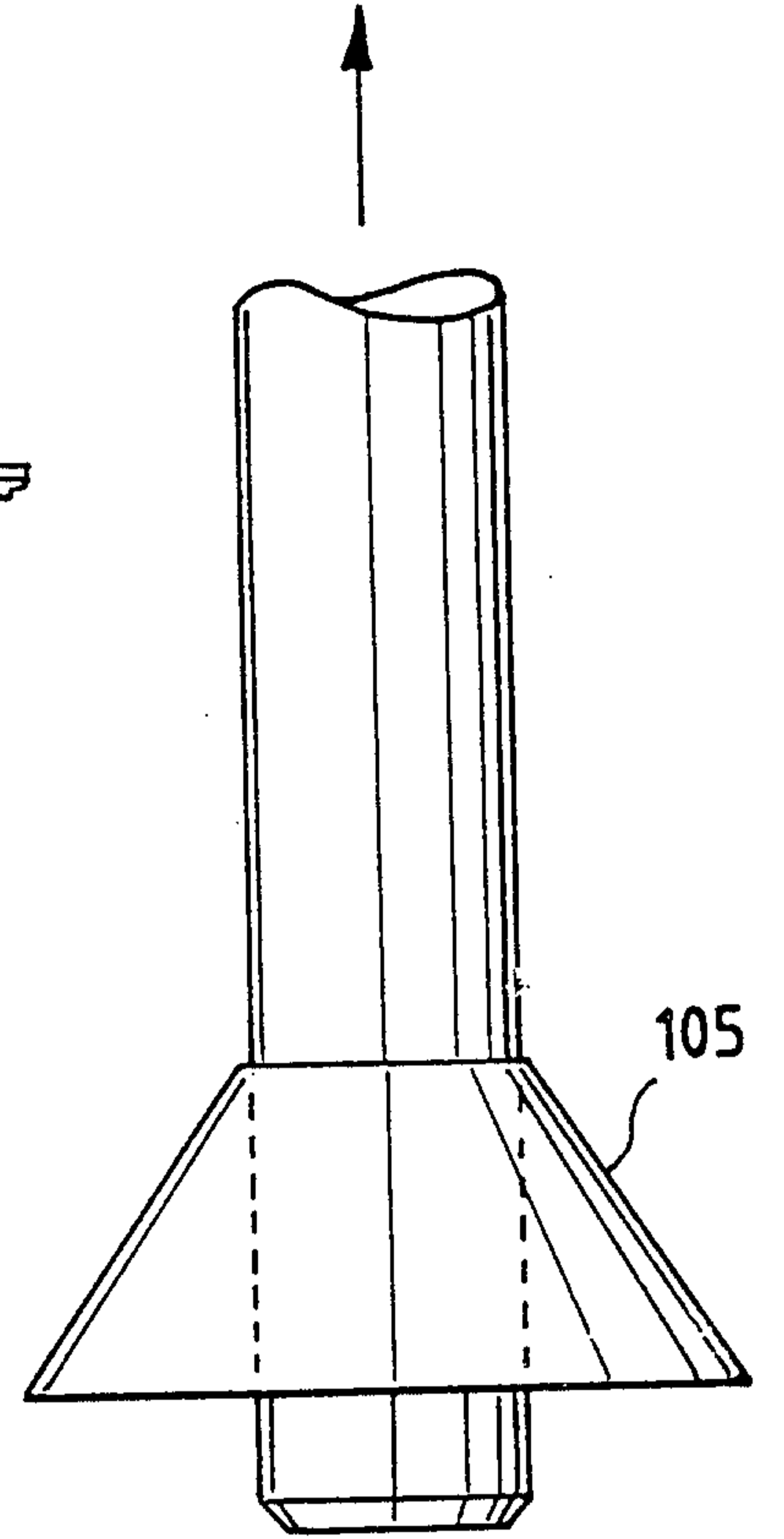


FIG. 10

6/10

FIG. 12

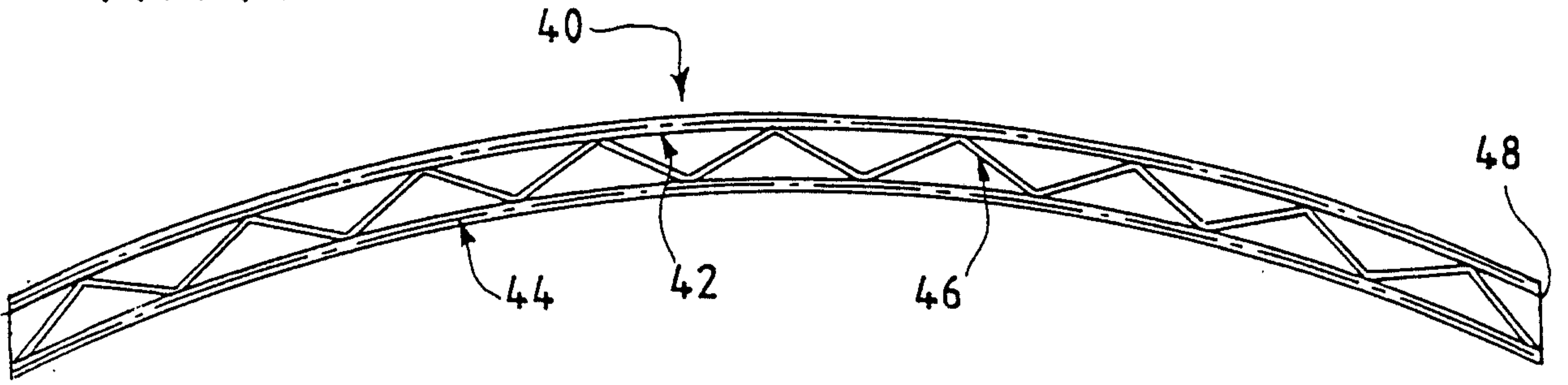
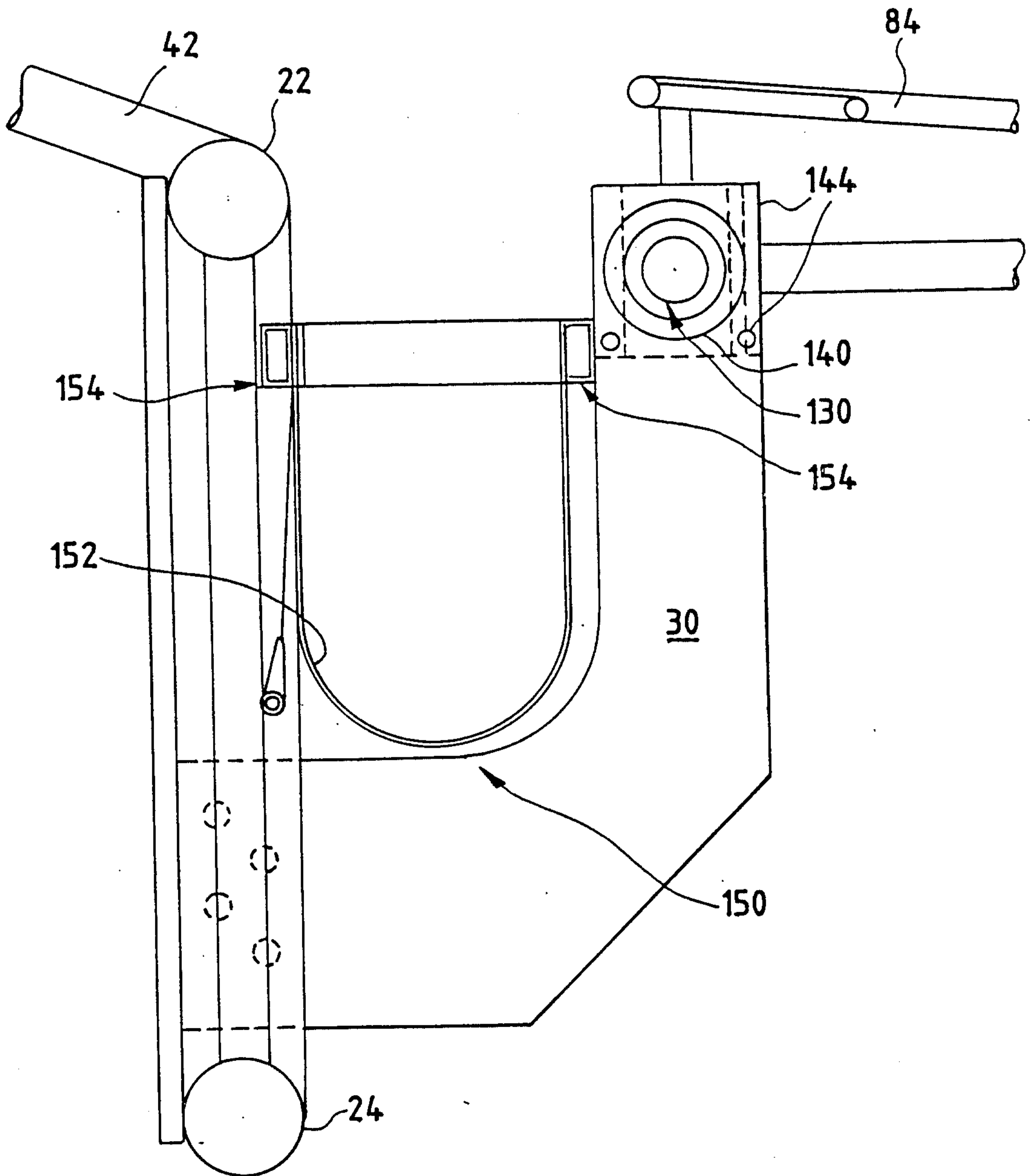


FIG. 13



7/10

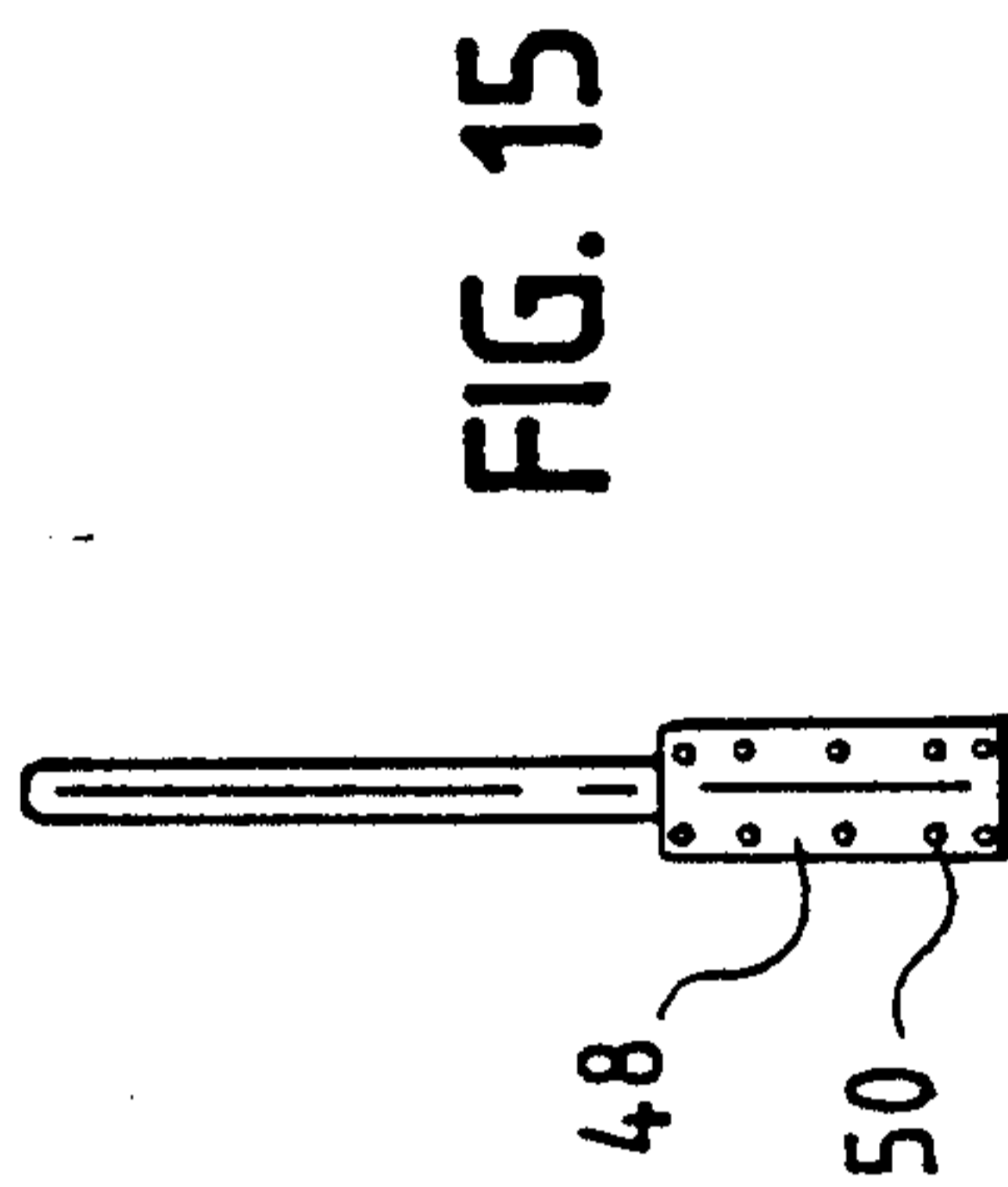
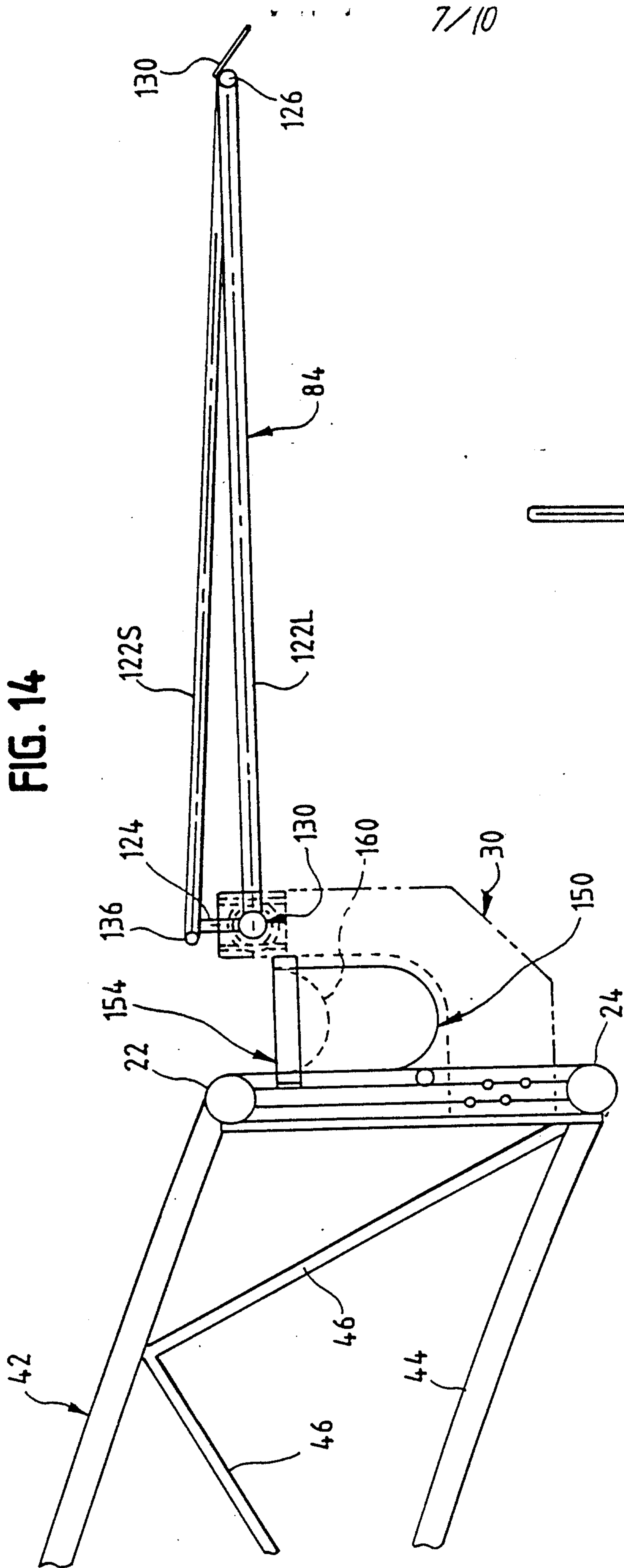


FIG. 16

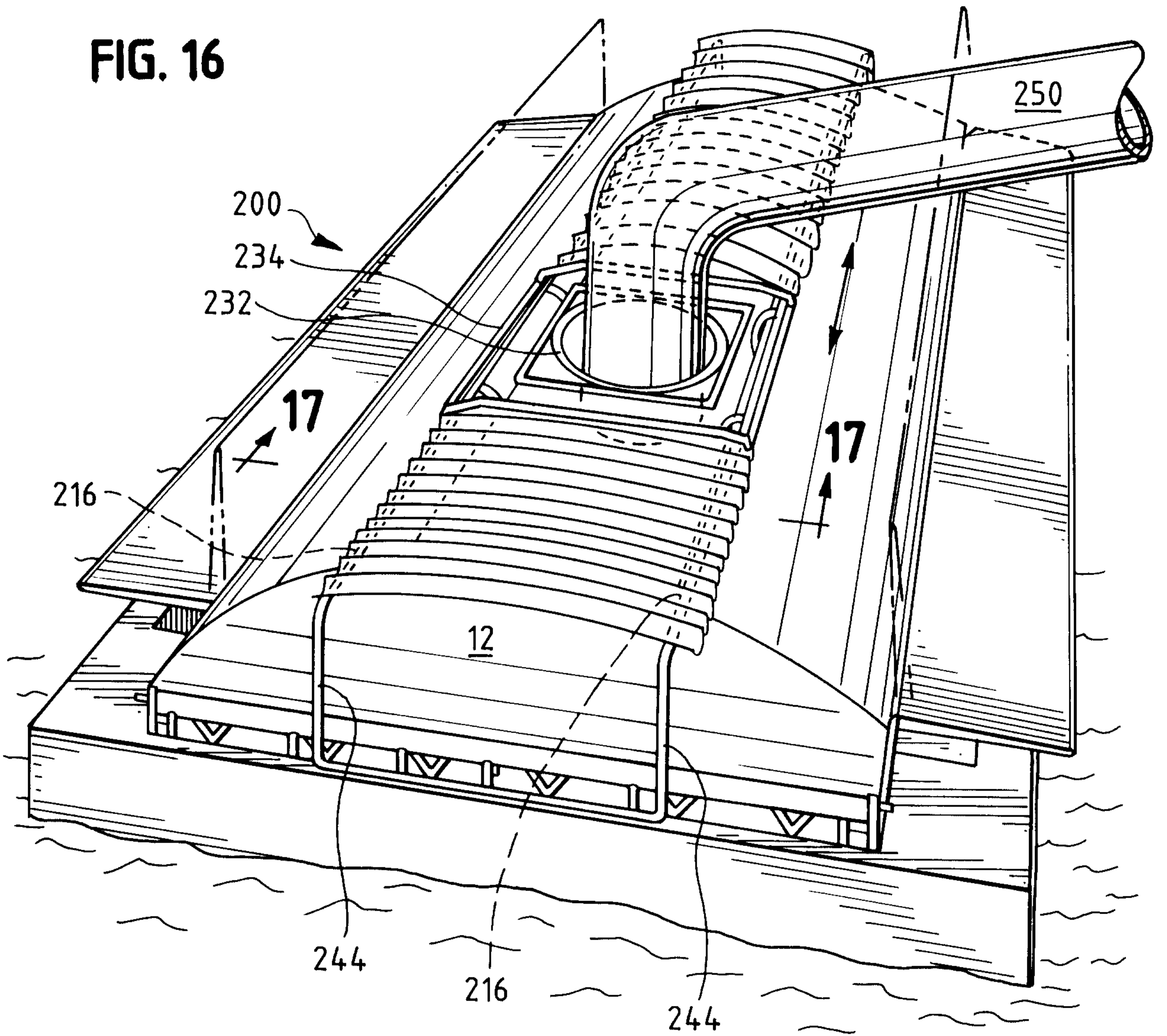
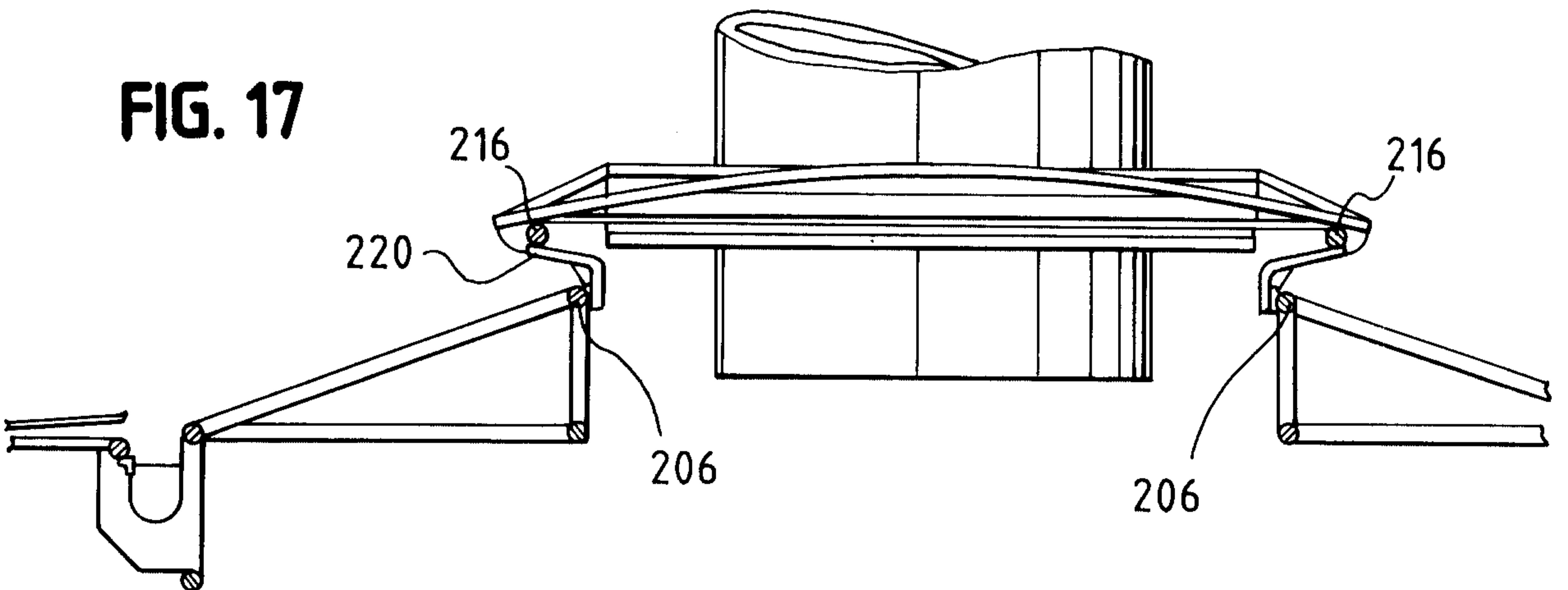


FIG. 17



9/10

FIG. 18

