

(19) World Intellectual Property Organization
International Bureau



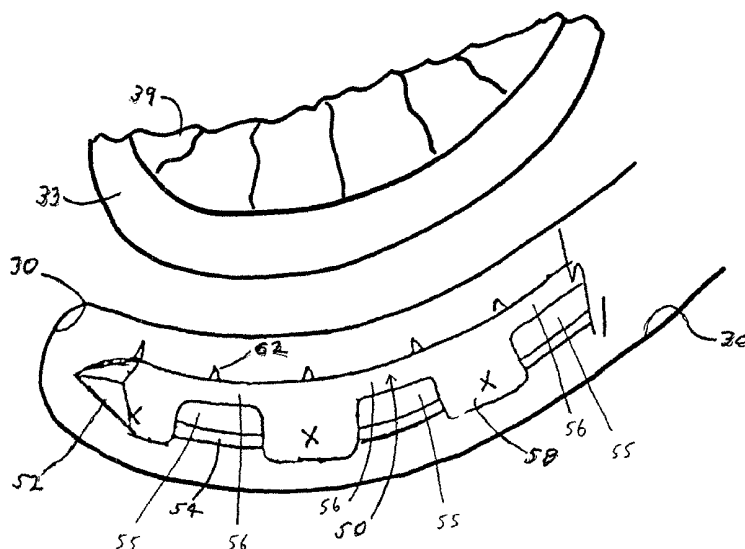
(43) International Publication Date
15 August 2002 (15.08.2002)

PCT

(10) International Publication Number
WO 02/062263 A2

- (51) International Patent Classification⁷: A61F (74) Agent: PANDISCIO, Mark, J.; Pandiscio & Pandiscio, 470 Totten Pond Road, Waltham, MA 02451-1914 (US).
- (21) International Application Number: PCT/US02/03437 (81) Designated States (*national*): AE, AG, AL, AM, AT, AU, AZ, BA, BB, BG, BR, BY, BZ, CA, CH, CN, CO, CR, CU, CZ, DE, DK, DM, DZ, EC, EE, ES, FI, GB, GD, GE, GH, GM, HR, HU, ID, IL, IN, IS, JP, KE, KG, KP, KR, KZ, LC, LK, LR, LS, LT, LU, LV, MA, MD, MG, MK, MN, MW, MX, MZ, NO, NZ, PL, PT, RO, RU, SD, SE, SG, SI, SK, SL, TJ, TM, TR, TT, TZ, UA, UG, UZ, VN, YU, ZA, ZW.
- (22) International Filing Date: 5 February 2002 (05.02.2002)
- (25) Filing Language: English (84) Designated States (*regional*): ARIPO patent (GH, GM, KE, LS, MW, MZ, SD, SL, SZ, TZ, UG, ZM, ZW), Eurasian patent (AM, AZ, BY, KG, KZ, MD, RU, TJ, TM), European patent (AT, BE, CH, CY, DE, DK, ES, FI, FR, GB, GR, IE, IT, LU, MC, NL, PT, SE, TR), OAPI patent (BF, BJ, CF, CG, CI, CM, GA, GN, GQ, GW, ML, MR, NE, SN, TD, TG).
- (26) Publication Language: English
- (30) Priority Data: 60/266,766 5 February 2001 (05.02.2001) US
- (71) Applicant: VIACOR, INC. [US/US]; 66 H Concord Street, Wilmington, MA 01887 (US).
- (72) Inventors: COHN, William, E.; 104 Lagrange Street, Chestnut Hill, MA 02467 (US). LIDDICOAT, John, R.; Barberry Farm, Barberry Road, Sewickley, PA 15143 (US). WOOLFSON, Steven, B.; 85 East India Road,, Apartment #39G, Boston, MA 02110 (US). DAVENPORT, Todd, E.; 48 Salem Street, Andover, MA 01810 (US). STREETER, Richard, B.; 66 Brookside Avenue, Winchester, MA 01890 (US).
- Published:**
— without international search report and to be republished upon receipt of that report
- For two-letter codes and other abbreviations, refer to the "Guidance Notes on Codes and Abbreviations" appearing at the beginning of each regular issue of the PCT Gazette.*

(54) Title: APPARATUS AND METHOD FOR REDUCING MITRAL REGURGITATION



(57) Abstract: Apparatus for reducing mitral regurgitation, including a bendable elongated body adapted to be inserted into the coronary sinus of a patient in the vicinity of the posterior leaflet of the mitral valve, the elongated body being adjustable between a first configuration adapted to be delivered into the coronary sinus and a second configuration adapted to exert a force onto the posterior annulus. The body includes a flexible spine having a proximal end and a distal end, and a flexible wire mounted on the spine and having a distal end fixed to the spine proximate to the distal end of the spine, and having a proximal portion extending from the proximal end of the spine. Axial movement of the wire causes a change in the spine from the first configuration to the second configuration to exert the force on the posterior annulus and thereby reduce mitral regurgitation.



WO 02/062263 A2

APPARATUS AND METHOD FOR REDUCING MITRAL REGURGITATIONReference To Related Application

This patent application claims benefit of pending
5 prior U.S. Provisional Patent Application Serial
No. 60/266,766, filed 02/05/01 by William E.
Cohn et al. for TRANSVASCULAR APPROACH TO MITRAL VALVE
PROCEDURES, which application is incorporated by
reference herein.

10

Background Of The Invention

Mitral valve repair is the procedure of choice to
correct mitral regurgitation of all etiologies. With
the use of current surgical techniques, between 70%
15 and 95% of regurgitant mitral valves can be repaired.
The advantages of mitral valve repair over mitral
valve replacement are well documented. These include
better preservation of cardiac function and reduced
risk of anticoagulant-related hemorrhage,
20 thromboembolism and endocarditis.

-2-

In current practice, mitral valve surgery requires an extremely invasive approach that includes a chest wall incision, cardiopulmonary bypass, cardiac and pulmonary arrest, and an incision on the heart itself to gain access to the mitral valve. Such a procedure is associated with high morbidity and mortality. Due to the risk associated with this procedure, many of the sickest patients are denied the potential benefits of surgical correction of mitral regurgitation. In addition, patients with moderate, symptomatic mitral regurgitation are denied early intervention and undergo surgical correction only after the development of cardiac dysfunction.

Mitral regurgitation is a common occurrence in patients with heart failure and a source of important morbidity and mortality in these patients. Mitral regurgitation in patients with heart failure is caused by changes in the geometric configurations of the left ventricle, papillary muscles and mitral annulus.

These geometric alterations result in mitral leaflet tethering and incomplete coaptation at systole. In

- 3 -

this situation, mitral regurgitation is corrected by plicating the mitral valve annulus, either by (i) sutures alone or by (ii) sutures in combination with a support ring, so as to reduce the circumference of the distended annulus and restore the original geometry of the mitral valve annulus.

More particularly, current surgical practice for mitral valve repair generally requires that the posterior mitral valve annulus be reduced in radius by surgically opening the left atrium and then fixing sutures, or more commonly sutures in combination with a support ring, to the internal surface of the annulus; this structure is used to cinch the annulus, in a pursestring-like fashion, to a smaller radius, thereby reducing mitral regurgitation by improving leaflet coaptation.

This method of mitral valve repair, generally termed "annuloplasty", effectively reduces mitral regurgitation in heart failure patients. This, in turn, reduces symptoms of heart failure, improves quality of life and increases longevity.

- 4 -

Unfortunately, however, the invasive nature of mitral valve surgery and the attendant risks render most heart failure patients poor surgical candidates.

Thus, a less invasive means to increase leaflet coaptation and thereby reduce mitral regurgitation in heart failure patients would make this therapy available to a much greater percentage of patients.

Mitral regurgitation also occurs in approximately 20% of patients suffering acute myocardial infarction.

In addition, mitral regurgitation is the primary cause of cardiogenic shock in approximately 10% of patients who develop severe hemodynamic instability in the setting of acute myocardial infarction. Patients with

mitral regurgitation and cardiogenic shock have about a 50% hospital mortality. Elimination of mitral regurgitation in these patients would be of

significant benefit. Unfortunately, however, patients with acute mitral regurgitation complicating acute myocardial infarction are particularly high-risk

surgical candidates, and are therefore not good

candidates for a traditional annuloplasty procedure.

- 5 -

Thus, a minimally invasive means to effect a temporary reduction or elimination of mitral regurgitation in these critically ill patients would afford them the time to recover from the myocardial infarction or
5 other acute life-threatening events and make them better candidates for medical, interventional or surgical therapy.

Summary Of The Invention

10 As a result, one object of the present invention is to provide an apparatus and method for treating mitral regurgitation which does not suffer from the disadvantages associated with conventional annuloplasty.

15 Another object of the present invention is to provide an apparatus and method for treating mitral regurgitation which can be deployed either permanently (e.g., for patients suffering from heart failure) or temporarily (e.g., for patients suffering from mitral
20 regurgitation with acute myocardial infarction).

- 6 -

These and other objects are addressed by the present invention, which is made possible by the discovery that the mitral annulus may be remodeled without the plication of conventional, open-surgery annuloplasty.

5 With the above and other objects in view, a feature of the invention is the provision of an apparatus for reducing mitral regurgitation. The apparatus comprises a bendable elongated body adapted to be inserted into the coronary sinus of a patient in the vicinity of the posterior leaflet of the mitral valve, the elongated body being adjustable between a first configuration adapted to be delivered into the coronary sinus and a second configuration adapted to exert a force onto the posterior annulus. The body comprises a flexible spine having a proximal end and a distal end, and a flexible wire mounted on the spine and having a distal end fixed to the spine proximate to the distal end of the spine, and having a proximal portion extending from the proximal end of the spine.

10
15
20 Axial movement of the wire causes a change in the

- 7 -

spine from the first configuration to the second configuration to exert the force on the posterior annulus and thereby reduce mitral regurgitation.

In accordance with a further feature of the invention, there is provided a further apparatus for
5 reducing mitral regurgitation. The apparatus comprises a bendable elongated body adapted to be inserted into the coronary sinus of a patient in the vicinity of the posterior leaflet of the mitral valve,
10 the elongated body being adjustable between a first configuration adapted to be delivered into the coronary sinus and a second configuration adapted to exert a force onto the posterior annulus. The body comprises a flexible spine having a proximal end and a
15 distal end, and a flexible wire mounted on the spine and having a distal end fixed to the spine proximate to the distal end of the spine, and having a proximal portion extending from the proximal end of the spine. Pulling of the wire causes straightening of the spine
20 to move the spine from the first configuration to the second configuration to exert the force on the

- 8 -

posterior annulus and thereby reduce mitral regurgitation.

In accordance with a further feature of the invention, there is provided a method for reducing
5 mitral regurgitation. The method comprises the steps of positioning a prosthesis in a coronary sinus, the prosthesis comprising a bendable elongated body adapted to be inserted into the coronary sinus of a patient in the vicinity of the posterior leaflet of
10 the mitral valve, the elongated body being adjustable between a first configuration adapted to be delivered into the coronary sinus and a second configuration adapted to exert a force onto the posterior annulus, the body comprising a flexible spine having a proximal
15 end and a distal end, and a flexible wire mounted on the spine and having a distal end fixed to the spine proximate to the distal end of the spine, and having a proximal portion extending from the proximal end of the spine; and moving the wire axially to cause a
20 change in the spine from the first configuration to the second configuration to exert the force on the

- 9 -

posterior annulus and thereby reduce mitral regurgitation.

In accordance with a further feature of the invention, there is provided a further method for reducing mitral regurgitation, the method comprising the steps of positioning a prosthesis in a coronary sinus, the prosthesis comprising a bendable elongated body adapted to be inserted into the coronary sinus of a patient in the vicinity of the posterior leaflet of the mitral valve, the elongated body being adjustable between a first configuration adapted to be delivered into the coronary sinus and a second configuration adapted to exert a force onto the posterior annulus, the body comprising a flexible spine having a proximal end and a distal end, and a flexible wire mounted on the spine and having a distal end fixed to the spine proximate to the distal end of the spine, and having a proximal portion extending from the proximal end of the spine; and pulling the wire to straighten the spine and to move the spine from the first configuration to the second configuration to exert the

- 10 -

force on the posterior annulus and thereby reduce mitral regurgitation.

In accordance with still further feature of the invention, there is provided a method for reducing
5 mitral regurgitation, the method comprising scarring the mitral valve annulus to cause contraction thereof.

The above and other features of the invention, including various novel details of construction and combinations of parts and method steps, will now be
10 more particularly described with reference to the accompanying drawings and pointed out in the claims. It will be understood that the particular devices and methods embodying the invention are shown by way of
15 illustration only and not as limitations of the invention. The principles and features of this invention may be employed in various and numerous embodiments without departing from the scope of the invention.

- 11 -

Brief Description Of The Drawings

The above and other objects and features of the present invention are more fully disclosed by the following detailed description of the preferred
5 embodiments of the invention, which is to be considered together with the accompanying drawings wherein like numbers refer to like parts and further wherein:

10 Fig. 1 is a schematic view of portions of the human vascular system;

Fig. 2 is a schematic view of portions of the human heart;

15 Fig. 3 is a side elevational, partly sectional view of a preferred apparatus formed in accordance with the present invention and shown in a first configuration;

Figs. 4 is a sectional view taken along line IV-IV of Fig. 3;

20 Fig. 5 is a side elevational view of the apparatus of Fig. 3 shown in a second configuration;

- 12 -

Fig. 6 is a diagrammatic illustration of an alternative embodiment in a first configuration;

Fig. 7 is a diagrammatic illustration of the embodiment of Fig. 6 in a second configuration;

5 Fig. 8 is a diagrammatic illustration of another alternative embodiment;

Fig. 9 is similar to Fig. 8, but illustrative of the embodiment of Fig. 8 in a second configuration; and

10 Fig. 10 is a schematic view of portions of the human heart and illustrating diagrammatically another alternative embodiment of the invention.

Detailed Description Of The Preferred Embodiments

15 The coronary sinus is the largest vein in the human heart. During a large portion of its course in the atrioventricular groove, the coronary sinus typically extends adjacent to the left atrium of the heart for a distance of approximately 5 to 10
20 centimeters. Significantly, for a portion of its length, e.g., typically approximately 7-9 cm, the

- 13 -

coronary sinus extends substantially adjacent to the posterior perimeter of the mitral annulus. The present invention takes advantage of this fact. More particularly, by deploying an elongated body in the coronary sinus, adjacent to the posterior leaflet of the mitral valve, pressure may be brought to bear on the posterior annulus of the mitral valve, whereby to move the posterior annulus anteriorly so as to improve leaflet coaptation and, as a result, reduce mitral regurgitation. In this respect it should be appreciated that the posterior annulus may be shifted anteriorly so as to achieve, or to attempt to achieve to the extent anatomically possible, leaflet-to-leaflet engagement or leaflet-to-annulus engagement (e.g., where a leaflet may be tethered due to left ventricular distortion). Both of these types of engagement, or targeted engagement, are intended to be encompassed by the terms "improved leaflet coaptation" and/or "increased leaflet coaptation" and the like.

- 14 -

In one preferred embodiment of the invention, access to the coronary sinus is gained percutaneously, e.g., the elongated body is introduced into the patient's vascular system via the jugular vein or via
5 the left subclavian vein, passed down the superior vena cava, passed through the right atrium and then passed into the coronary sinus, where it is deployed. Alternatively, the elongated body may be introduced into the coronary sinus through a small incision in
10 the heart, or through some other incision into the patient's vascular system.

Once deployed, the elongated body may be left in position permanently (e.g., in the case of patients suffering from mitral regurgitation associated with
15 heart failure) or the elongated body may be left in position only temporarily (e.g., in the case of patients suffering from mitral regurgitation associated with acute myocardial infarction).

Visualization of the procedure may be obtained by
20 fluoroscopy, echocardiography, intravascular ultrasound, angiography, real-time magnetic resonance

- 15 -

imaging, etc. The efficacy of the procedure may be determined through echocardiography, although other imaging modalities may also be suitable.

Looking now at Fig. 1, there are shown aspects of the cardiovascular system 3 of a patient. More particularly, cardiovascular system 3 generally comprises the heart 6, the superior vena cava 9, the right subclavian vein 12, the left subclavian vein 15, the jugular vein 18, and the inferior vena cava 21. Superior vena cava 9 and inferior vena cava 21 communicate with the heart's right atrium 24. The coronary ostium 27 leads to coronary sinus 30. At the far end 31 (Fig. 2) of coronary sinus 30, the vascular structure turns into the vertically-descending anterior interventricular vein ("AIV") 32 (see Fig. 1). For purposes of the present invention, it can generally be convenient to consider the term "coronary sinus" to mean the vascular structure extending between coronary ostium 27 and AIV 32.

As seen in Fig. 2, between coronary ostium 27 and AIV 32, coronary sinus 30 generally extends

- 16 -

substantially adjacent to the posterior perimeter of the annulus 33 of the mitral valve 36. Mitral valve 36 comprises a posterior leaflet 39 and an anterior leaflet 42. In the case of a regurgitant mitral valve, posterior leaflet 39 and anterior leaflet 42 will generally fail to properly coapt at systole, thereby leaving an intervening gap 45 which will permit regurgitation.

Referring to Fig. 3, it will be seen that an illustrative preferred embodiment includes an elongated flexible body 50. The body 50 preferably is provided with a rounded or pointed distal end 52 for insertion into the coronary sinus 30 (Fig. 5).

Fixed to the distal end 52 of the body 50 is a wire 54 which extends through the body 50, with a proximal portion 56 thereof extending proximally from body 50 (Fig. 3). The body 50 is provided with wire supporting portions 58, each of which defines a channel 60 (Fig. 4) for retaining the wire 54, but permitting the wire 54 to slide therethrough. Wire 54 is preferably positioned on one side of the

- 17 -

longitudinal axis of body 50, and body 50 preferably includes a plurality of openings 55 helping to define a plurality of flexible bridges 56.

5 The body 50 may be provided with barbs 62 for engagement with tissue in the coronary sinus 30. When barbs 62 are used, the elongated body 50 should be housed in a guide catheter 64 (Fig. 4) which is removed once the body 50 is in place, to expose barbs 62.

10 As body 50 is inserted into coronary sinus 30, it will generally assume the shape of the coronary sinus, which is naturally curved in the region of the posterior leaflet of the mitral valve. Thereafter, wire 54 may be pushed or pulled, as desired, so as to
15 alter the configuration of body 50. More specifically, by pushing the wire 54 in a distal direction, the body 50 is caused to reconfigure to a tighter arc around the mitral valve annulus 33, i.e., by bending on bridges 56 and enlarging openings 55.
20 By pulling the wire 54 proximally, the body is caused to reconfigure to a more extended arc, or to assume a

- 18 -

straight configuration, or even to assume an inverted configuration, by bending on bridges 56 and reducing openings 55. Either alteration of the configuration of body 50 in turn alters the configuration of the coronary sinus adjacent to the mitral valve, whereby to force the posterior annulus anteriorly and thereby improve leaflet coaptation and hence reduce mitral regurgitation.

Looking next at Fig. 6, there is shown an alternative embodiment of the present invention. More particularly, there is shown an elongated body 100 which comprises a plurality of staples 103 connected by a flexible bridge 105. A wire 110 has one end secured to the distalmost end of bridge 105. During use, the elongated body 100 is positioned within the coronary sinus (Fig. 7), staples 103 are secured to the walls of the coronary sinus 30, and then wire 110 is pushed distally or pulled proximally so as to modify the configuration of elongated body 100. More particularly, pulling wire 110 proximally will cause bridge 105 to reconfigure to a tighter arc around the

- 19 -

mitral valve annulus, whereas pushing wire 110
distally will cause bridge 105 to reconfigure into a
more extended arc, or to go straight, or even to
invert. This action in turn alters the configuration
5 of the coronary sinus 30 adjacent to the mitral valve
36, whereby to force the posterior annulus anteriorly
and thereby improve leaflet coaptation and hence
reduce mitral regurgitation.

Looking next at Fig. 8, there is shown another
10 alternative embodiment of the present invention. More
particularly, there is shown an elongated body 200
which comprises a plurality of anchors 205, formed by
staples, or the like, each comprising an eyelet
through which extends a wire 210. The distal end of
15 wire 210 is secured to the distalmost staple. During
use, the elongated body 200 is positioned within the
coronary sinus, the anchors 205 are secured to the
walls of the coronary sinus 30, and then wire 210 is
pulled proximally so as to modify the configuration of
20 elongated body 200. More specifically, pulling of the
wire 210 causes the body 200 to reconfigure to a wider

- 20 -

arc (Fig. 9) and then, if pulled further, to a substantially straight configuration. Such action, in turn, alters the configuration of the coronary sinus 30 adjacent to the mitral valve 36, whereby to force the posterior annulus anteriorly and thereby improve leaflet coaptation and hence reduce mitral regurgitation.

Looking next at Fig. 10, there is shown another embodiment of the present invention. More particularly, there is shown an elongated body 300 which is adapted to reducing mitral regurgitation by scarring the mitral valve annulus 33 to cause contraction thereof. Elongated body 300 includes an element at its distal end which is adapted to inject a scarring medium into the mitral valve annulus. This scarring medium may comprise a chemical, or it may comprise energy selected from a group of energies consisting of thermal, cryogenic, laser and radio frequency.

It is to be understood that the present invention is by no means limited to the particular constructions

- 21 -

and method steps herein disclosed and/or shown in the drawings, but also comprises any modifications or equivalents within the scope of the claims.

- 22 -

What Is Claimed Is:

1. Apparatus for reducing mitral regurgitation,
the apparatus comprising:

5 a bendable elongated body adapted to be inserted
into the coronary sinus of a patient in the vicinity
of the posterior leaflet of the mitral valve, the
elongated body being adjustable between a first
configuration adapted to be delivered into the
10 coronary sinus and a second configuration adapted to
exert a force onto the posterior annulus, the body
comprising:

a flexible spine having a proximal end and a
distal end; and

15 a flexible wire mounted on said spine and having
a distal end fixed to said spine proximate to the
distal end of said spine, and having a proximal
portion extending from the proximal end of said spine;

whereby axial movement of said wire causes a
20 change in said spine from the first configuration to
the second configuration to exert the force on the

- 23 -

posterior annulus and thereby reduce mitral regurgitation.

2. The apparatus in accordance with claim 1,
5 wherein the axial movement of said wire in a proximal direction causes said spine reconfiguration to a lesser curve having a greater radius of curvature.

3. The apparatus in accordance with claim 1
10 wherein the axial movement of said wire in a distal direction causes said spine to reconfigure to a more pronounced curve having a lesser radius of curvature.

4. The apparatus in accordance with claim 1
15 wherein the first configuration is curved and the second configuration is a selected one of (i) more curved and (ii) less curved.

5. The apparatus in accordance with claim 4
20 wherein the less curved configuration is substantially straight.

- 24 -

6. The apparatus in accordance with claim 1 wherein said spine is provided with barbs thereon.

5 7. The apparatus in accordance with claim 1 wherein said spine comprises portions each defining a channel for said wire.

10 8. The apparatus in accordance with claim 1 wherein loops are fixed to said spine and said wire extends through said loops and is movable therethrough.

15 9. The apparatus in accordance with claim 8 wherein the loops are defined by staples.

10. Apparatus for reducing mitral regurgitation, the apparatus comprising:
a bendable elongated body adapted to be inserted
20 into the coronary sinus of a patient in the vicinity of the posterior leaflet of the mitral valve, the

- 25 -

elongated body being adjustable between a first configuration adapted to be delivered into the coronary sinus and a second configuration adapted to exert a force onto the posterior annulus, the body comprising:

5 a flexible spine having a proximal end and a distal end; and

a flexible wire mounted on said spine and having a distal end fixed to said spine proximate to the distal end of said spine, and having a proximal portion extending from the proximal end of said spine;

10 whereby pulling of said wire causes straightening of said spine to move said spine from the first configuration to the second configuration to exert the force on the posterior annulus and thereby reduce mitral regurgitation.

11. The apparatus in accordance with claim 10 wherein loops are mounted on said spine and said wire is movable therein.

20

- 26 -

12. The apparatus in accordance with claim 11 wherein said loops are staples.

13. A method for reducing mitral regurgitation, the method comprising the steps of:

positioning a prosthesis in a coronary sinus, the prosthesis comprising:

a bendable elongated body adapted to be inserted into the coronary sinus of a patient in the vicinity of the posterior leaflet of the mitral valve, the elongated body being adjustable between a first configuration adapted to be delivered into the coronary sinus and a second configuration adapted to exert a force onto the posterior annulus, the body comprising:

a flexible spine having a proximal end and a distal end; and

a flexible wire mounted on said spine and having a distal end fixed to said spine proximate to the distal end of said spine, and having a proximal

- 27 -

portion extending from the proximal end of said spine;
and

moving the wire axially to cause a change in the
spine from the first configuration to the second
5 configuration to exert the force on the posterior
annulus and thereby reduce mitral regurgitation.

14. A method for reducing mitral regurgitation,
the method comprising the steps of:

10 positioning a prosthesis in a coronary sinus, the
prosthesis comprising:

a bendable elongated body adapted to be inserted
into the coronary sinus of a patient in the vicinity
of the posterior leaflet of the mitral valve, the
15 elongated body being adjustable between a first
configuration adapted to be delivered into the
coronary sinus and a second configuration adapted to
exert a force onto the posterior annulus, the body
comprising:

20 a flexible spine having a proximal end and a
distal end; and

- 28 -

a flexible wire mounted on said spine and having a distal end fixed to said spine proximate to the distal end of said spine, and having a proximal portion extending from the proximal end of said spine;
5 and

pulling the wire to straighten the spine to move the spine from the first configuration to the second configuration to exert the force on the posterior annulus and thereby reduce mitral regurgitation.

10

15. A method for reducing mitral regurgitation, the method comprising scarring the mitral valve annulus to cause contraction thereof.

15

16. The method in accordance with claim 15 wherein the scarring is accomplished by injecting a scarring medium into the mitral valve annulus.

20

17. The method in accordance with claim 16 wherein the medium comprises energy selected from a

- 29 -

group of energies consisting of chemical, thermal,
cryogenic, laser and radio frequency.

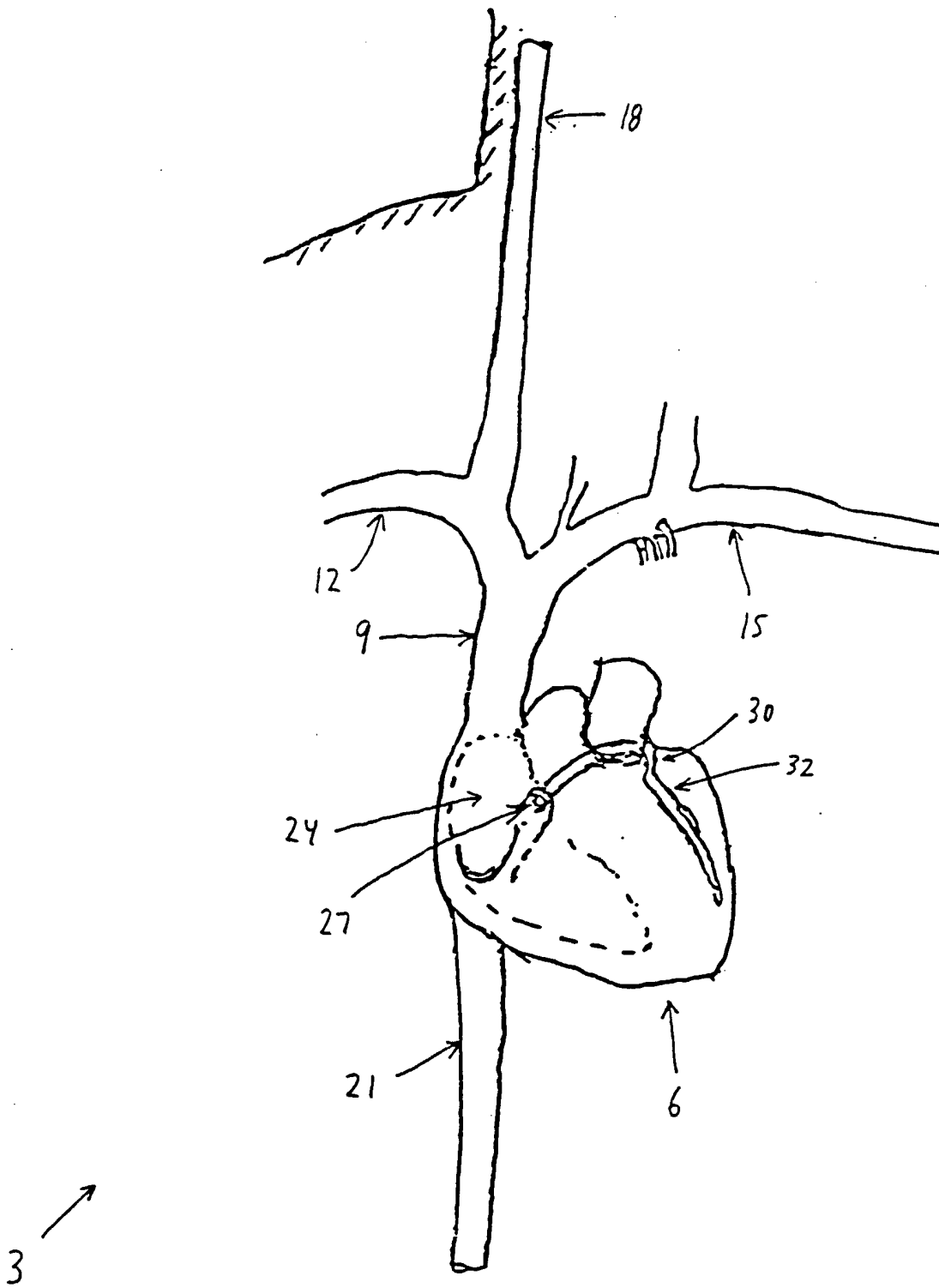


FIG. 1

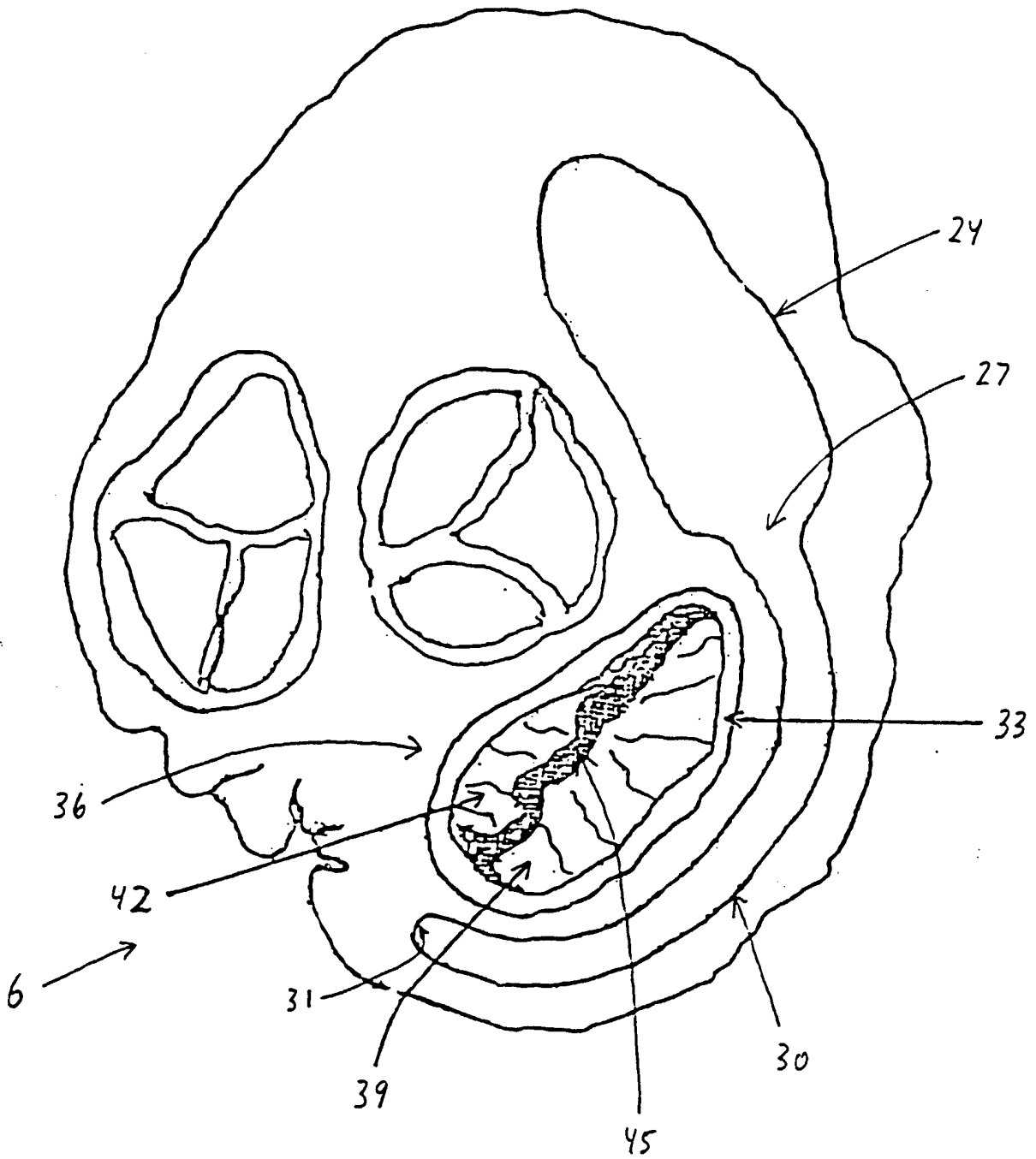
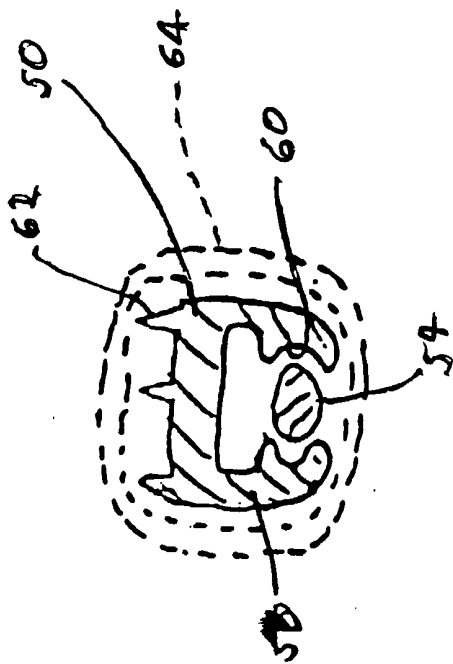
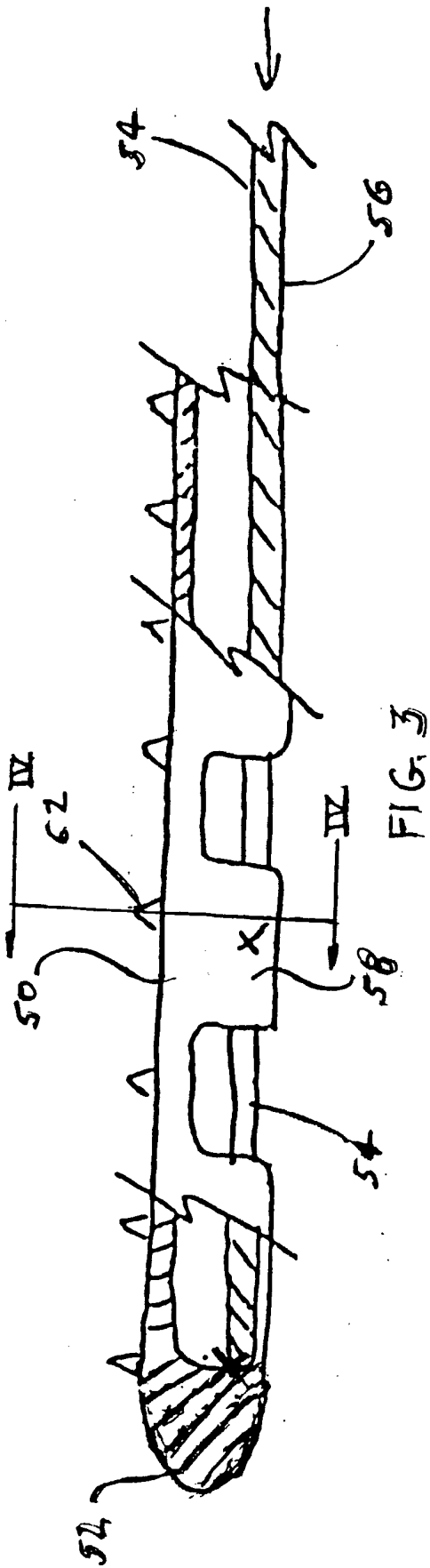


FIG. 2



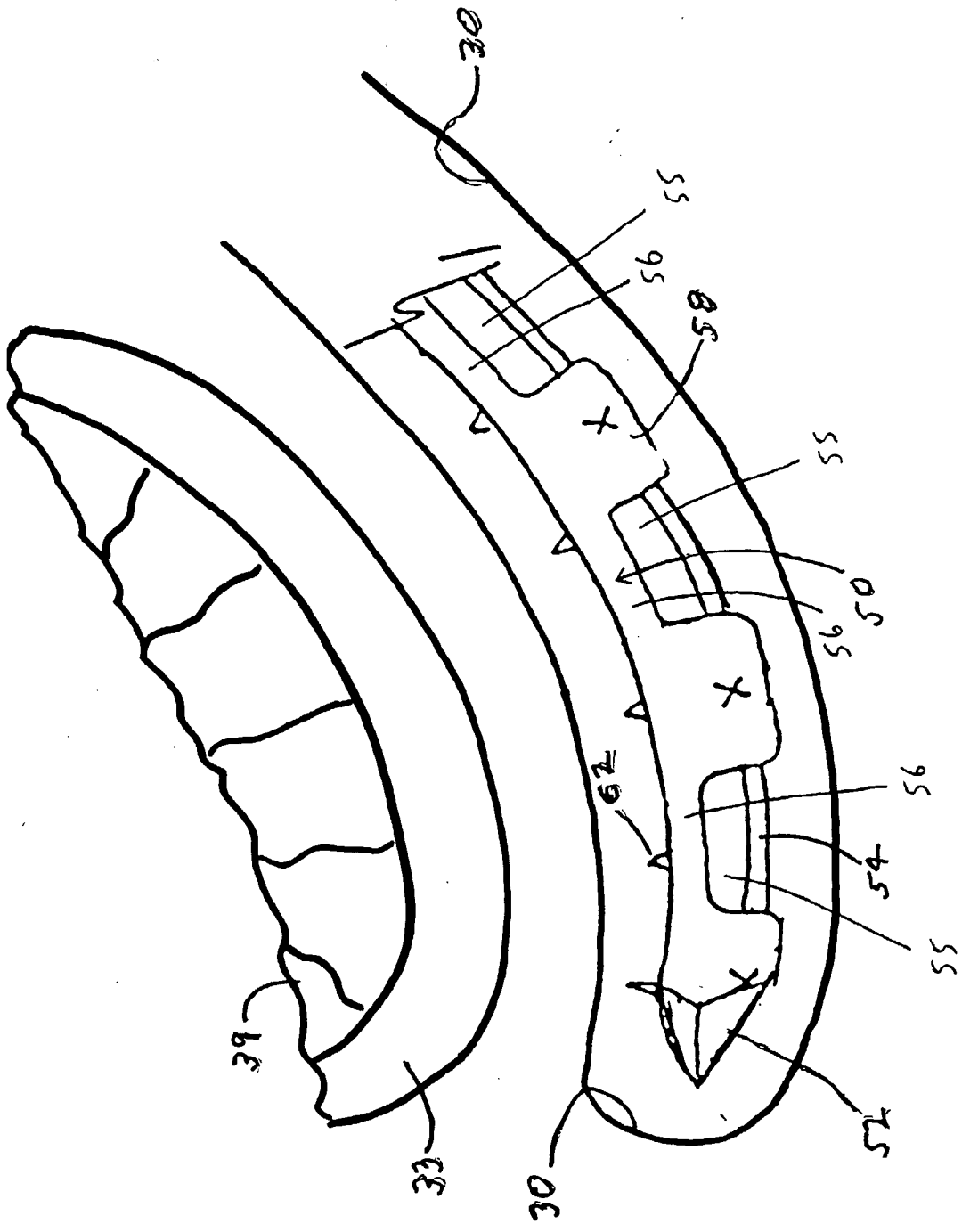


FIG. 5

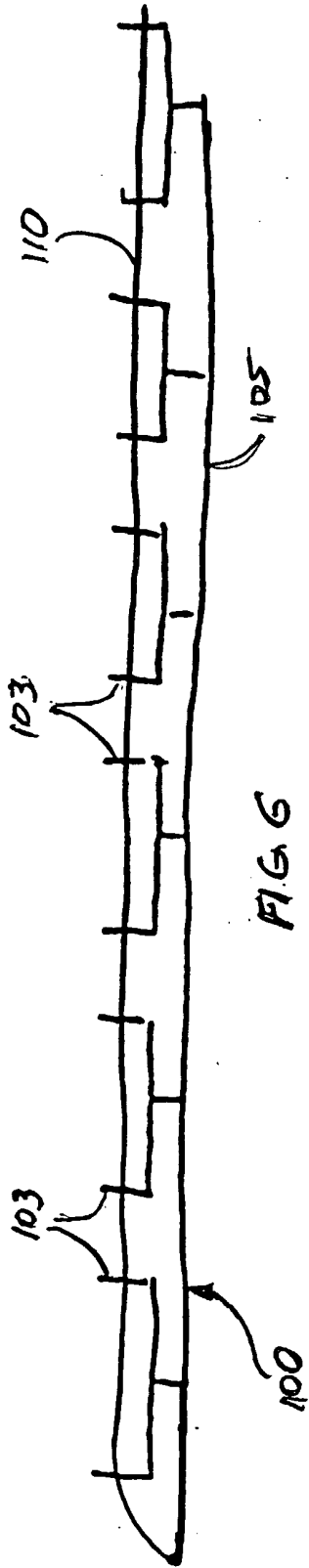


FIG. 6

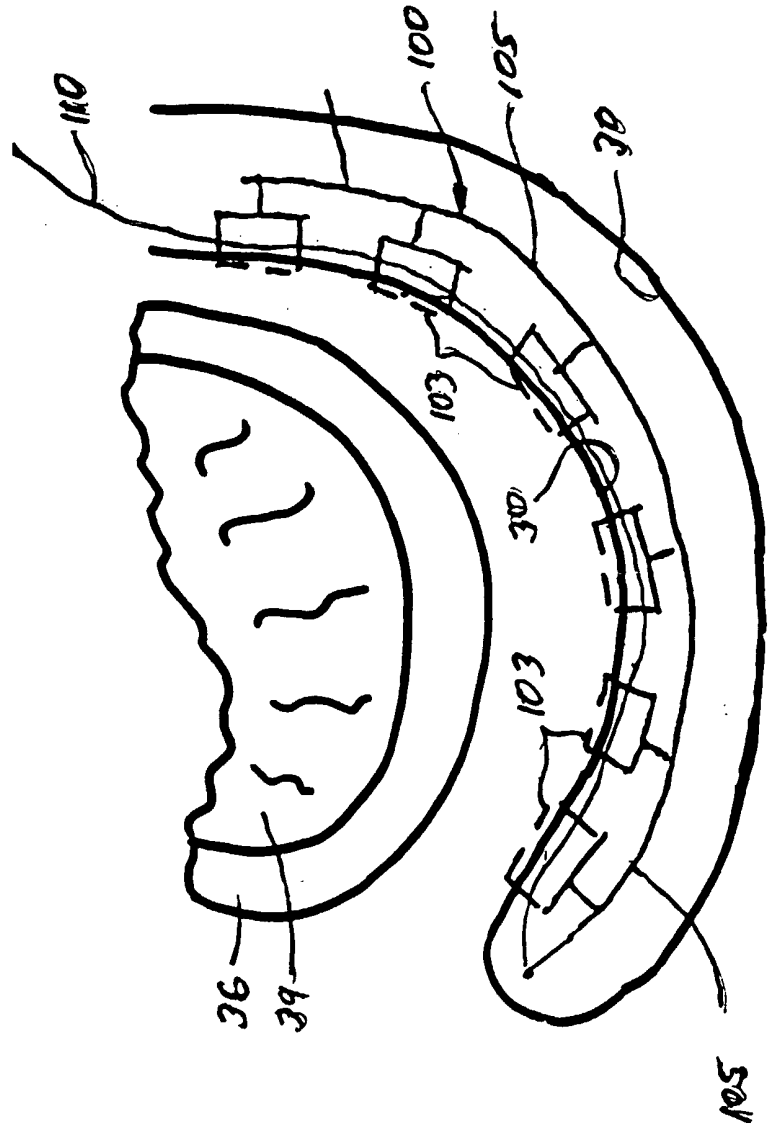


FIG. 7

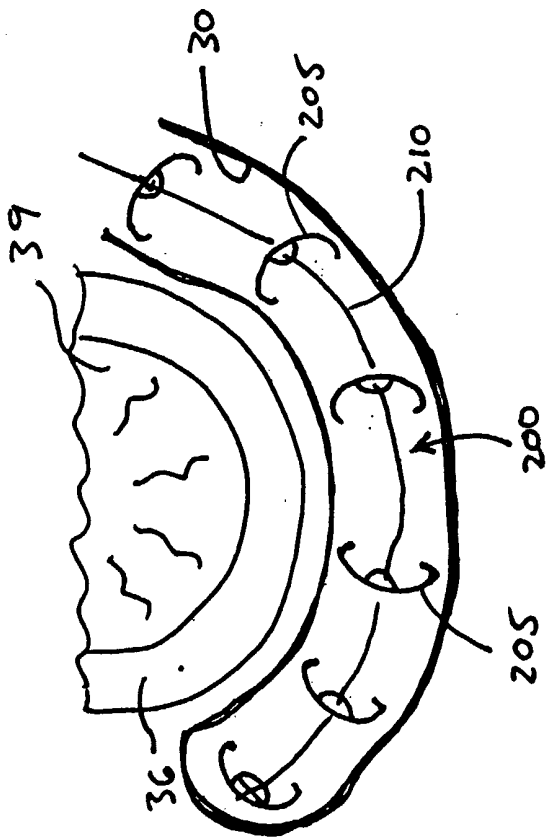


Fig 8

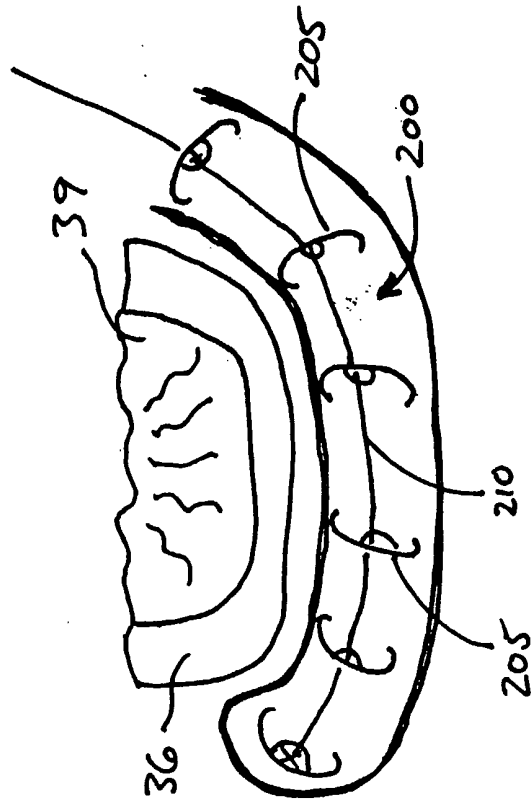


Fig 9

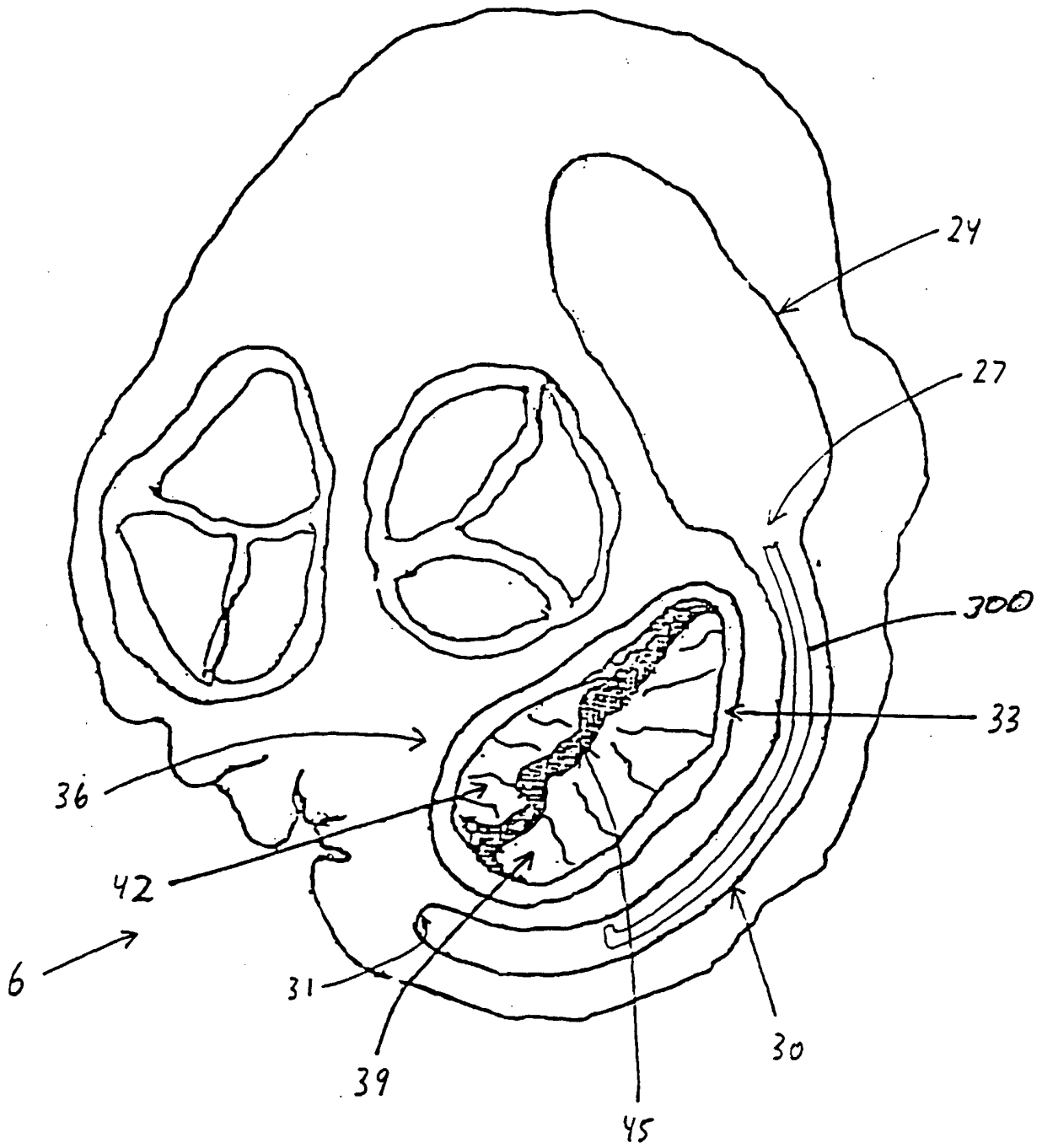


FIG. 10