



US00D686147S

(12) **United States Design Patent**  
**Morisawa**

(10) **Patent No.:** **US D686,147 S**

(45) **Date of Patent:** **\*\* Jul. 16, 2013**

(54) **BATTERY**

(75) Inventor: **Yujin Morisawa**, Tokyo (JP)

(73) Assignee: **Sony Corporation**, Tokyo (JP)

(\*\*) Term: **14 Years**

(21) Appl. No.: **29/371,507**

(22) Filed: **Mar. 29, 2011**

**Related U.S. Application Data**

(63) Continuation of application No. 29/347,502, filed on Feb. 12, 2010, now Pat. No. Des. 635,506.

**Foreign Application Priority Data**

Aug. 10, 2009 (CN) ..... 2009 3 0190316  
Aug. 21, 2009 (JP) ..... D2009-019190  
Aug. 21, 2009 (JP) ..... D2009-019191

(51) **LOC (9) Cl.** ..... **13-02**

(52) **U.S. Cl.** ..... **D13/103**  
USPC .....

(58) **Field of Classification Search**  
USPC ..... D13/102-106, 110, 118-121, 184,  
D13/199; 429/96-100, 163, 176  
See application file for complete search history.

(56) **References Cited**

**U.S. PATENT DOCUMENTS**

D281,724 S	12/1985	Michiels	
D281,940 S	12/1985	Steventon et al.	
D303,524 S	9/1989	Siegner et al.	
D304,172 S	10/1989	Sogabe et al.	
D363,055 S	10/1995	Kobayashi et al.	
D409,974 S	5/1999	Sasago	
D418,807 S	1/2000	Suzuki et al.	
D424,013 S	5/2000	Curtis	
D485,530 S *	1/2004	Ogasawara	..... D13/103
D491,137 S	6/2004	Suzuki	

D531,574 S	11/2006	Yamada	
D531,575 S	11/2006	Yamada	
D538,226 S	3/2007	Lyman et al.	
D539,730 S	4/2007	Kawase	
D554,579 S	11/2007	Ogasawara	
D554,580 S	11/2007	Ogasawara	
D558,140 S	12/2007	Kumano	
D571,288 S	6/2008	Tanaka	

(Continued)

*Primary Examiner* — Rosemary K Tarcza

(74) *Attorney, Agent, or Firm* — Rader, Fishman & Grauer PLLC

(57) **CLAIM**

The ornamental design for a battery, as shown and described.

**DESCRIPTION**

FIG. 1 is a perspective view of a battery showing my new design;

FIG. 2 is a front elevational view thereof;

FIG. 3 is a rear elevational view thereof;

FIG. 4 is a left side elevational view thereof;

FIG. 5 is a right side elevational view thereof; and

FIG. 6 is a top plan view thereof.

FIG. 7 is a bottom plan view thereof.

Portions in broken lines are for illustrative purpose only and form no part of the claimed design. The dot-dash broken lines define the boundaries of, but are not included in, the claimed design.

FIG. 8 is a perspective view of another embodiment of a battery showing my new design;

FIG. 9 is a front elevational view thereof;

FIG. 10 is a rear elevational view thereof;

FIG. 11 is a left side elevational view thereof;

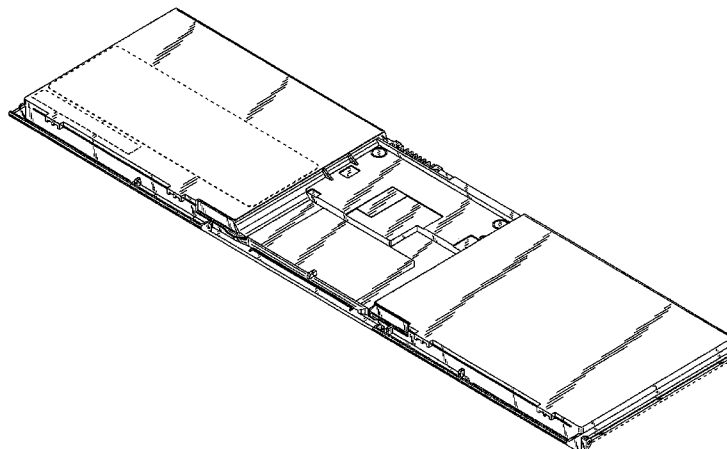
FIG. 12 is a right side elevational view thereof;

FIG. 13 is a top plan view thereof; and,

FIG. 14 is a bottom plan view thereof.

The embodiment of FIG. 1 is a subcombination of the entirely shaded design of the embodiment of FIG. 8.

**1 Claim, 10 Drawing Sheets**



# US D686,147 S

Page 2

---

## U.S. PATENT DOCUMENTS

D582,844 S 12/2008 Tanaka  
D614,124 S 4/2010 Mistyurik  
7,763,380 B2 7/2010 Morita et al.

D635,506 S \* 4/2011 Morisawa ..... D13/103  
D669,850 S \* 10/2012 Morisawa ..... D13/103  
D670,240 S \* 11/2012 Morisawa ..... D13/103

\* cited by examiner

FIG.1

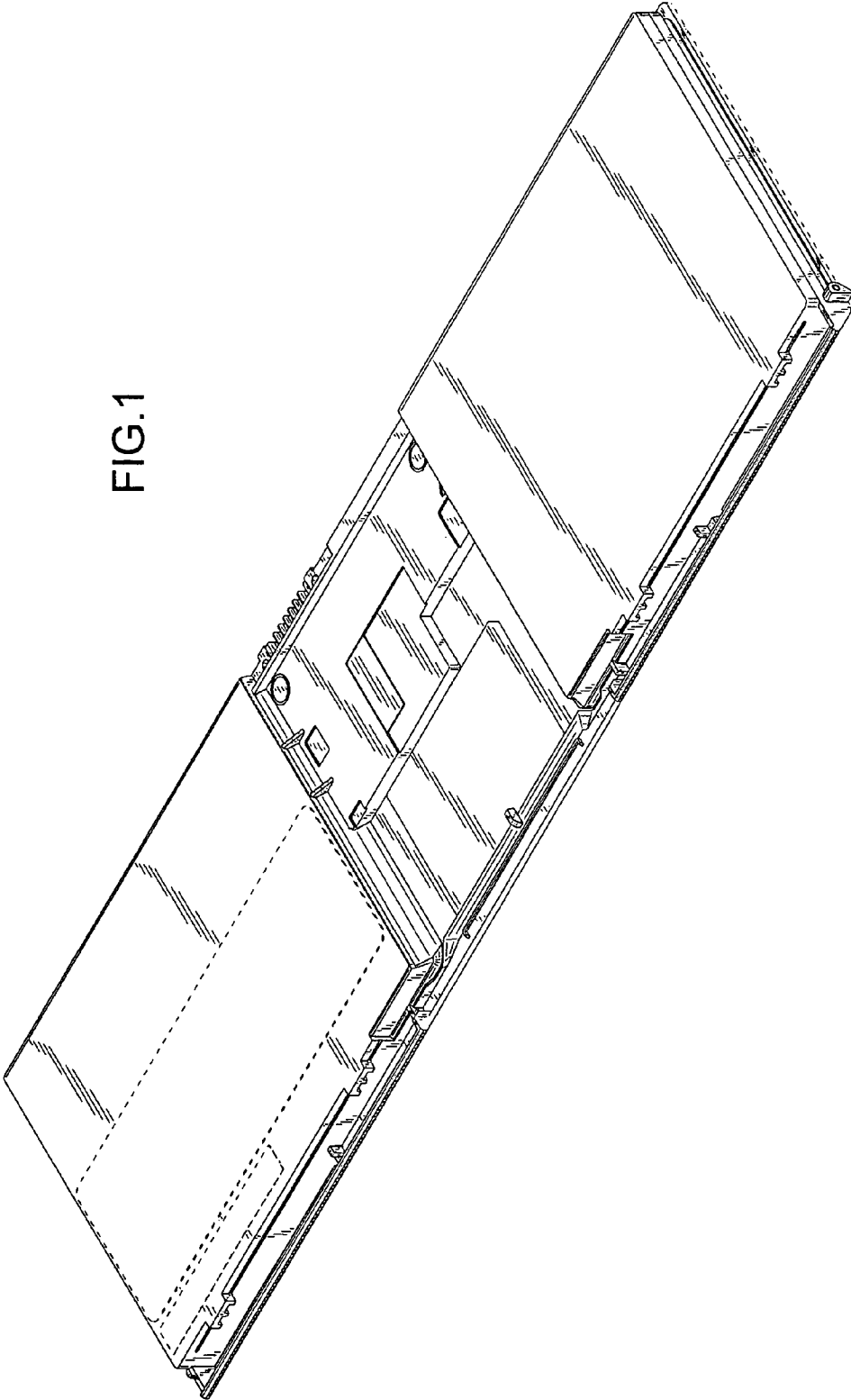


FIG.2



FIG.3



FIG.4



FIG.5

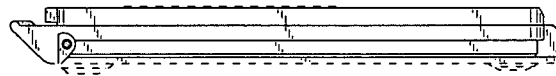


FIG. 6

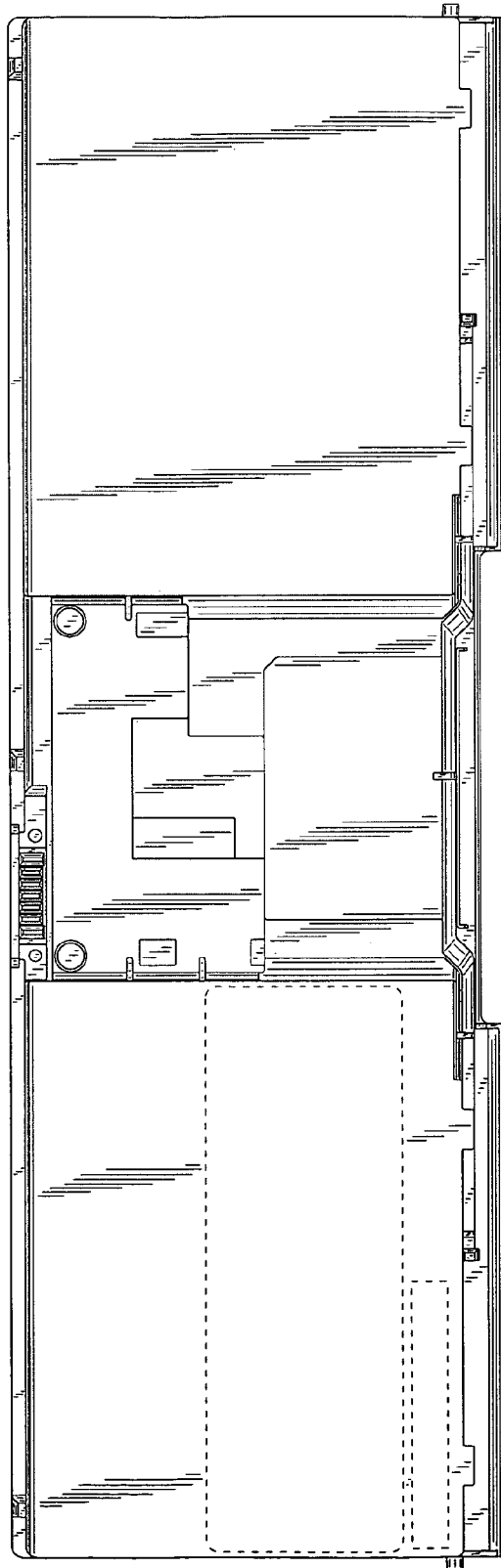


FIG.7

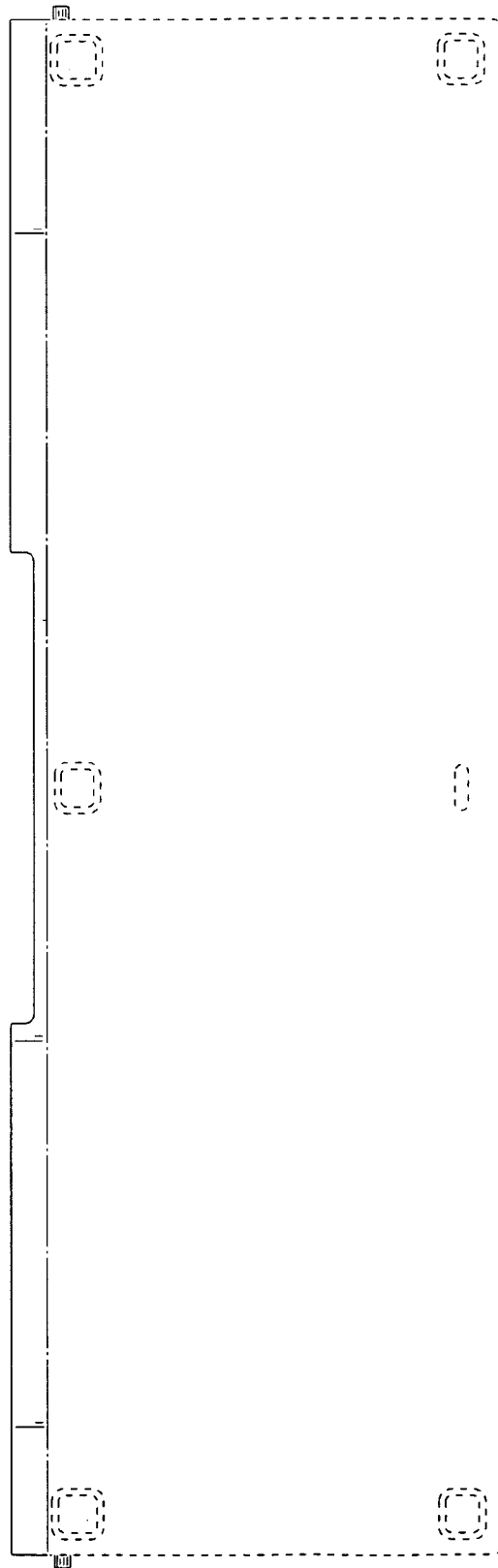


FIG.8

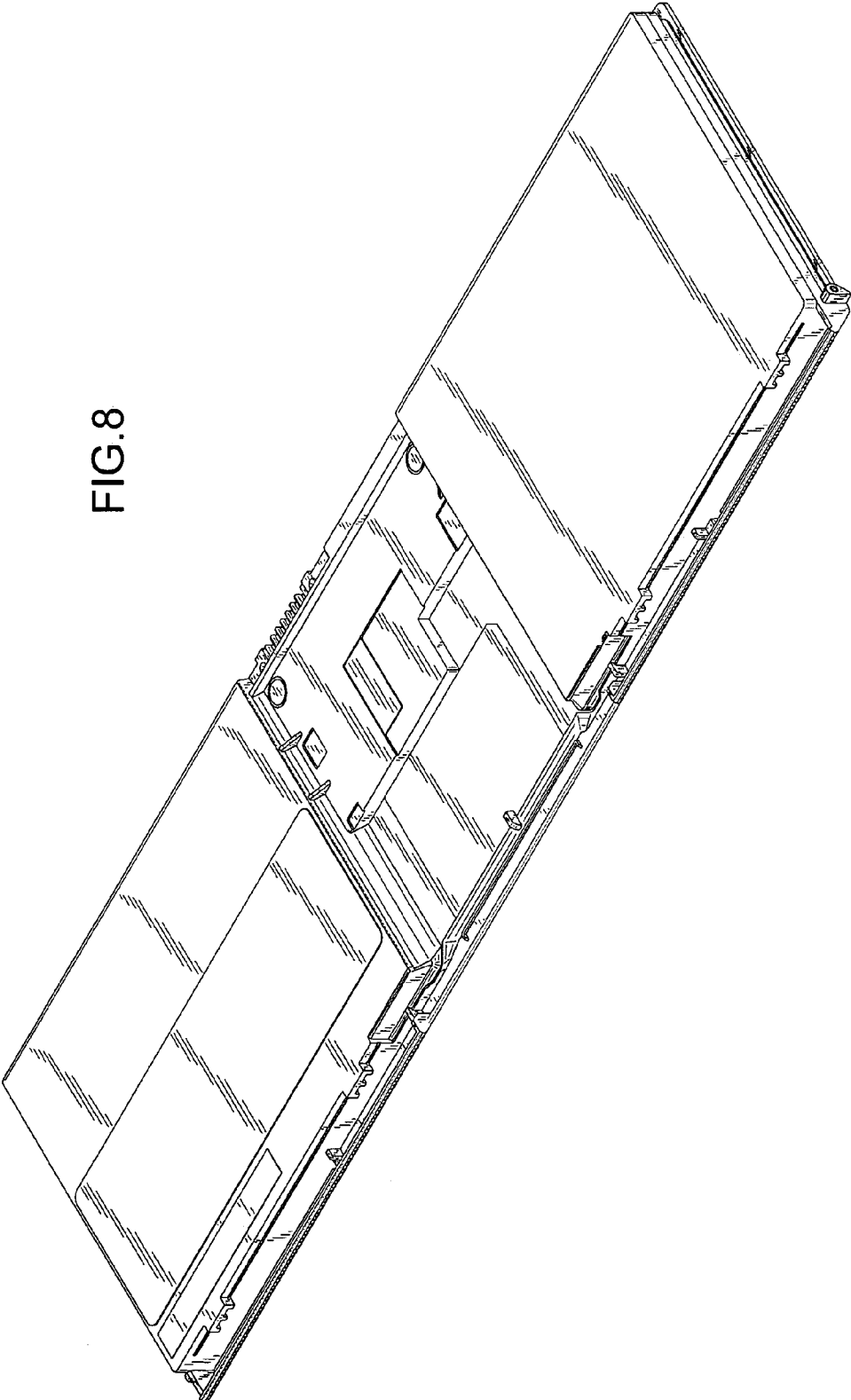


FIG.9



FIG.10



FIG.11



FIG.12



FIG.13

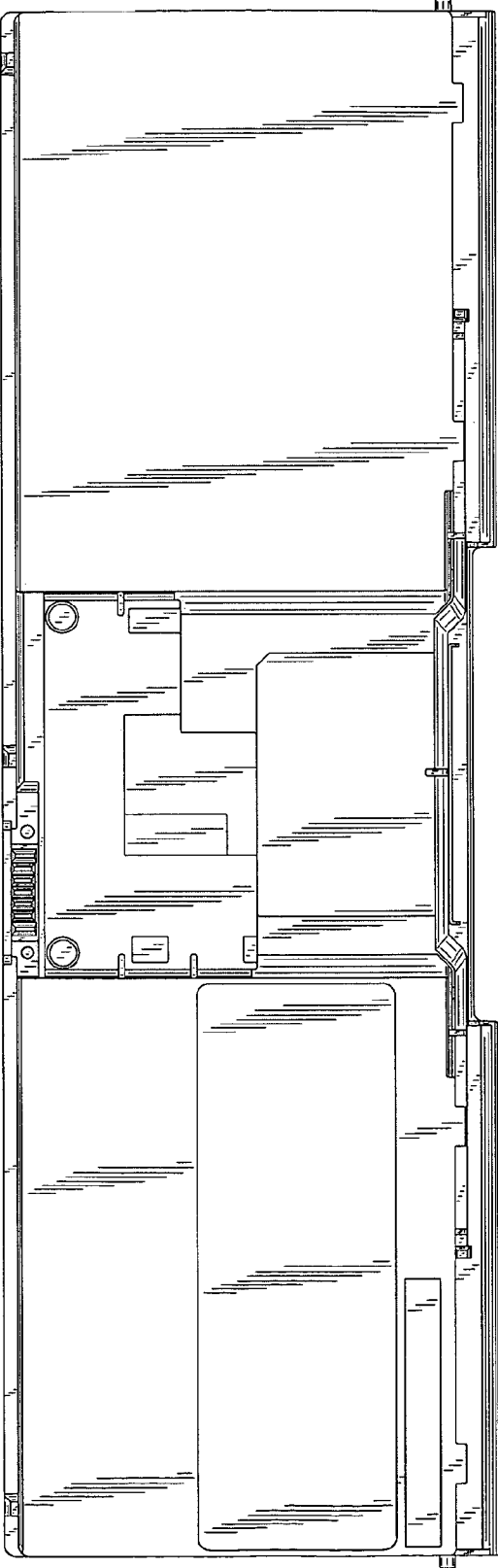


FIG.14

