

(19) World Intellectual Property Organization
International Bureau



(43) International Publication Date
16 August 2007 (16.08.2007)

PCT

(10) International Publication Number
WO 2007/092441 A3

- (51) International Patent Classification:
A61B 17/88 (2006.01) A61B 17/80 (2006.01)
A61B 17/17 (2006.01)
- (21) International Application Number:
PCT/US2007/003142
- (22) International Filing Date: 7 February 2007 (07.02.2007)
- (25) Filing Language: English
- (26) Publication Language: English
- (30) Priority Data:
11/349,559 8 February 2006 (08.02.2006) US
- (71) Applicant (for CA only): SYNTHES (U.S.A.) [US/US];
1302 Wrights Lane East, West Chester, PA 19380 (US).
- (71) Applicant (for all designated States except CA, US): SYN-
THES GMBH [CH/CH]; Eimattstrasse 3, CH-4436 Ober-
dorf (CH).
- (72) Inventors; and
- (75) Inventors/Applicants (for US only): McGARITY, Car-
los, Owen [US/US]; 135 Rutgers Avenue, Swarthmore, PA
19081 (US). GRIFFITHS, Bryan, James [US/US]; 83 Ar-
den Lane, Coatesville, PA 19320 (US). CICCONE, Paul,

Christopher [US/US]; 100 Bryans Way, Lincoln Univer-
sity, PA 19352 (US). HAMEL, Ross, Jonathan [US/US];
1521 Tanglewood Drive, West Chester, PA 19380 (US).
COOMBS, Dana, Joseph [US/US]; 867 Church Road,
Harleysville, PA 19438 (US). CHILTON, Robert, Joseph,
III [US/US]; 2047 Valley View Drive, Quakertown, PA
18951 (US).

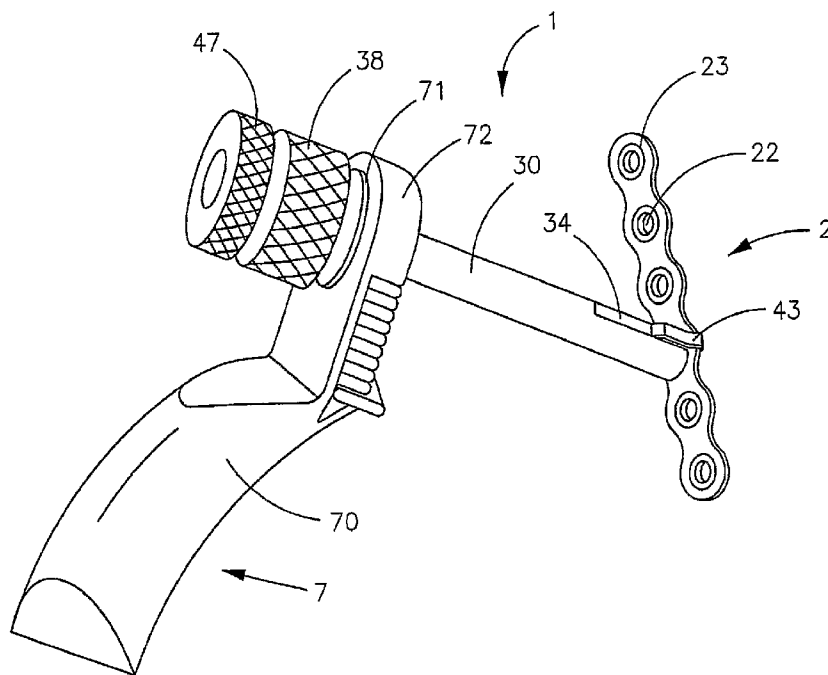
(74) Agents: BAILEY, David, R. et al.; Woodcock Washburn
LLP, Cira Centre, 12th Floor, 2929 Arch Street, Philadel-
phia, PA 19104-2891 (US).

(81) Designated States (unless otherwise indicated, for every
kind of national protection available): AE, AG, AL, AM,
AT, AU, AZ, BA, BB, BG, BR, BW, BY, BZ, CA, CH, CN,
CO, CR, CU, CZ, DE, DK, DM, DZ, EC, EE, EG, ES, FI,
GB, GD, GE, GH, GM, GT, HN, HR, HU, ID, IL, IN, IS,
JP, KE, KG, KM, KN, KP, KR, KZ, LA, LC, LK, LR, LS,
LT, LU, LV, LY, MA, MD, MG, MK, MN, MW, MX, MY,
MZ, NA, NG, NI, NO, NZ, OM, PG, PH, PL, PT, RO, RS,
RU, SC, SD, SE, SG, SK, SL, SM, SV, SY, TJ, TM, TN,
TR, TT, TZ, UA, UG, US, UZ, VC, VN, ZA, ZM, ZW.

(84) Designated States (unless otherwise indicated, for every
kind of regional protection available): ARIPO (BW, GH,
GM, KE, LS, MW, MZ, NA, SD, SL, SZ, TZ, UG, ZM,

[Continued on next page]

(54) Title: TRANSBUCCAL PLATE HOLDING CANNULA



(57) Abstract: The present invention relates to a transbuccal plate holding cannula used in osteofixation procedures. The trans-
buccal plate holding cannula of the present invention can be releasibly secured to a bone plate such that tools and fasteners may be
passed through the plate holding cannula in order to secure the bone plate to a bone.

WO 2007/092441 A3



ZW), Eurasian (AM, AZ, BY, KG, KZ, MD, RU, TJ, TM), European (AT, BE, BG, CH, CY, CZ, DE, DK, EE, ES, FI, FR, GB, GR, HU, IE, IS, IT, LT, LU, LV, MC, NL, PL, PT, RO, SE, SI, SK, TR), OAPI (BF, BJ, CF, CG, CI, CM, GA, GN, GQ, GW, ML, MR, NE, SN, TD, TG).

Published:

- *with international search report*
- *before the expiration of the time limit for amending the claims and to be republished in the event of receipt of amendments*

(88) Date of publication of the international search report:
21 December 2007

For two-letter codes and other abbreviations, refer to the "Guidance Notes on Codes and Abbreviations" appearing at the beginning of each regular issue of the PCT Gazette.

INTERNATIONAL SEARCH REPORT

International application No
PCT/US2007/003142

A. CLASSIFICATION OF SUBJECT MATTER
INV. A61B17/88 A61B17/17 A61B17/80

According to International Patent Classification (IPC) or to both national classification and IPC

B. FIELDS SEARCHED

Minimum documentation searched (classification system followed by classification symbols)
A61B

Documentation searched other than minimum documentation to the extent that such documents are included in the fields searched

Electronic data base consulted during the international search (name of data base and, where practical, search terms used)

EPO-Internal

C. DOCUMENTS CONSIDERED TO BE RELEVANT

Category*	Citation of document, with indication, where appropriate, of the relevant passages	Relevant to claim No.
A	US 2005/038444 A1 (BINDER LAWRENCE J [US] ET AL) 17 February 2005 (2005-02-17) paragraph [0038] - paragraph [0041]; figure 1 paragraph [0043] - paragraph [0045]; figure 4 paragraph [0059] - paragraph [0061]; figures 9,10	1-15, 20-25
A	WO 03/015650 A (DEPUY PRODUCTS INC [US]) 27 February 2003 (2003-02-27) page 7, line 15 - line 27; figures 1,2 page 9, line 7 - line 29; figure 4 page 12, paragraph 1 - paragraph 2; figures 6,7 figures 9,10,17	1-15, 20-25

Further documents are listed in the continuation of Box C.

See patent family annex.

* Special categories of cited documents:

- *A* document defining the general state of the art which is not considered to be of particular relevance
- *E* earlier document but published on or after the international filing date
- *L* document which may throw doubts on priority claim(s) or which is cited to establish the publication date of another citation or other special reason (as specified)
- *O* document referring to an oral disclosure, use, exhibition or other means
- *P* document published prior to the international filing date but later than the priority date claimed

- *T* later document published after the international filing date or priority date and not in conflict with the application but cited to understand the principle or theory underlying the invention
- *X* document of particular relevance; the claimed invention cannot be considered novel or cannot be considered to involve an inventive step when the document is taken alone
- *Y* document of particular relevance; the claimed invention cannot be considered to involve an inventive step when the document is combined with one or more other such documents, such combination being obvious to a person skilled in the art.
- *G* document member of the same patent family

Date of the actual completion of the international search

25 October 2007

Date of mailing of the international search report

05/11/2007

Name and mailing address of the ISA/

European Patent Office, P.B. 5818 Patentlaan 2
NL - 2280 HV Rijswijk
Tel. (+31-70) 340-2040, Tx. 31 651 epo nl,
Fax: (+31-70) 340-3016

Authorized officer

Filali, Salima

INTERNATIONAL SEARCH REPORT

International application No

PCT/US2007/003142

C(Continuation). DOCUMENTS CONSIDERED TO BE RELEVANT

Category*	Citation of document, with indication, where appropriate, of the relevant passages	Relevant to claim No.
A	US 5 423 826 A (COATES BRADLEY J [US] ET AL) 13 June 1995 (1995-06-13) figure 14	1-9
A	column 13, line 1 - line 12; figures 3,17 -----	16-25
X	US 2004/097937 A1 (PIKE SANDI [US] ET AL) 20 May 2004 (2004-05-20) figures 6,7 -----	16-19

INTERNATIONAL SEARCH REPORT

International application No.
PCT/US2007/003142

Box No. II Observations where certain claims were found unsearchable (Continuation of item 2 of first sheet)

This international search report has not been established in respect of certain claims under Article 17(2)(a) for the following reasons:

1. Claims Nos.: 26-30
because they relate to subject matter not required to be searched by this Authority, namely:
Rule 39.1(iv) PCT - Method for treatment of the human or animal body by surgery
2. Claims Nos.:
because they relate to parts of the international application that do not comply with the prescribed requirements to such an extent that no meaningful International search can be carried out, specifically:
3. Claims Nos.:
because they are dependent claims and are not drafted in accordance with the second and third sentences of Rule 6.4(a).

Box No. III Observations where unity of invention is lacking (Continuation of item 3 of first sheet)

This International Searching Authority found multiple inventions in this international application, as follows:

see additional sheet

1. As all required additional search fees were timely paid by the applicant, this international search report covers allsearchable claims.
2. As all searchable claims could be searched without effort justifying an additional fees, this Authority did not invite payment of additional fees.
3. As only some of the required additional search fees were timely paid by the applicant, this international search report covers only those claims for which fees were paid, specifically claims Nos.:
4. No required additional search fees were timely paid by the applicant. Consequently, this international search report is restricted to the invention first mentioned in the claims; it is covered by claims Nos.:

Remark on Protest

- The additional search fees were accompanied by the applicant's protest and, where applicable, the payment of a protest fee.
- The additional search fees were accompanied by the applicant's protest but the applicable protest fee was not paid within the time limit specified in the invitation.
- No protest accompanied the payment of additional search fees.

FURTHER INFORMATION CONTINUED FROM PCT/ISA/ 210

This International Searching Authority found multiple (groups of) inventions in this international application, as follows:

1. claims: 1-15, 20-25

Apparatus for holding a bone plate

2. claims: 16-19

A bone plate

INTERNATIONAL SEARCH REPORT

Information on patent family members

International application No

PCT/US2007/003142

Patent document cited in search report	Publication date	Patent family member(s)	Publication date
US 2005038444	A1	17-02-2005	AU 2004264957 A1 24-02-2005
			BR PI0413546 A 17-10-2006
			CA 2535382 A1 24-02-2005
			CN 1909845 A 07-02-2007
			EP 1659958 A2 31-05-2006
			JP 2007502171 T 08-02-2007
			US 2005137606 A1 23-06-2005
			WO 2005016128 A2 24-02-2005
WO 03015650	A	27-02-2003	AT 306220 T 15-10-2005
			DE 60206639 D1 17-11-2005
			DE 60206639 T2 13-07-2006
			EP 1418855 A1 19-05-2004
			JP 2005511116 T 28-04-2005
			US 2005159753 A1 21-07-2005
			US 2003040752 A1 27-02-2003
US 5423826	A	13-06-1995	NONE
US 2004097937	A1	20-05-2004	NONE