



US00D822666S

(12) **United States Design Patent**
Cai et al.

(10) **Patent No.:** **US D822,666 S**
(45) **Date of Patent:** **** Jul. 10, 2018**

(54) **CONNECTOR**

A47B 2021/0335; H02G 3/126; F16B 47/00; F16B 47/006; A47G 1/17; A47K 2201/00

(71) Applicant: **ROE Visual Co., Ltd.**, Shenzhen, Guangdong (CN)

See application file for complete search history.

(72) Inventors: **Danhu Cai**, Guangdong (CN); **Zhanqiang Li**, Guangdong (CN); **Jun Li**, Guangdong (CN); **Hong Zhang**, Guangdong (CN)

(56) **References Cited**

U.S. PATENT DOCUMENTS

D448,950 S *	10/2001	McIveen	D14/451
D516,297 S *	3/2006	Smith	D3/10
D568,890 S *	5/2008	Sculler	D14/451
D642,183 S *	7/2011	Chinuki	F16M 11/28
				D14/451
D646,674 S *	10/2011	Liao	D14/253
D695,748 S *	12/2013	Morris	D14/447
D704,195 S *	5/2014	Marquette	D14/447
D712,394 S *	9/2014	Booth	D14/253
D732,817 S *	6/2015	Elstow	D3/10
D736,217 S *	8/2015	Wang	D14/451

(Continued)

Primary Examiner — Katie Stofko

(73) Assignee: **ROE Visual Co., Ltd.**, Shenzhen (CN)

(**) Term: **15 Years**

(21) Appl. No.: **29/585,201**

(22) Filed: **Nov. 21, 2016**

(51) **LOC (11) Cl.** **14-02**

(52) **U.S. Cl.**
USPC **D14/451**

(58) **Field of Classification Search**
USPC D14/371–382, 125–129, 336, 337, D14/447–452, 492, 335, 239, 457, D14/439–441, 432, 251–253; D8/349, D8/354, 363, 373, 376, 380; D21/333; D12/415; D3/10, 218; 348/180, 184, 348/325, 739, 825; 248/323, 278.1, 286.1

CPC G06F 3/0412; G06F 3/016; G06F 3/0488; G06F 3/011; G06F 3/038; G06F 3/03543; G06F 3/0338; G06F 3/0202; G06F 3/0219; G06F 3/0213; G06F 1/1616; G06F 3/023; G06F 3/04883; G02F 1/13338; G02F 1/1313; G02F 1/1333; G02F 1/135; G02F 1/132; G02F 1/133308; G02F 1/134309; G02F 1/13718; G09G 3/3648; G06K 15/1252; G03F 7/70291; G02B 27/0172; G02B 5/30; G02B 2027/0118; G02B 27/0101; F16M 13/02; F16M 13/00; F16M 11/10; F16M 11/04; F16M 2200/08; F16M 11/2021; A47B 21/0314; A47B 88/044;

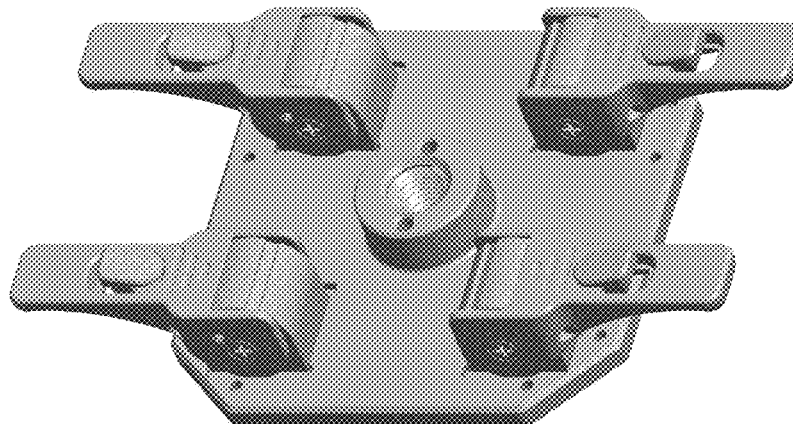
(57) **CLAIM**

The ornamental design for a connector, as shown and described.

DESCRIPTION

FIG. 1 is a first perspective view of a connector showing our new design;
FIG. 2 is a second perspective view thereof;
FIG. 3 is a third perspective view thereof;
FIG. 4 is a fourth perspective view thereof;
FIG. 5 is a fifth perspective view thereof;
FIG. 6 is a sixth perspective view thereof;
FIG. 7 is a seventh perspective view thereof;
FIG. 8 is an eighth perspective view thereof;
FIG. 9 is a top plan view thereof;
FIG. 10 is a ninth perspective view thereof;
FIG. 11 is a tenth perspective view thereof;
FIG. 12 is a front elevation view thereof;
FIG. 13 is an eleventh perspective view thereof; and,
FIG. 14 is a twelfth perspective view thereof.

1 Claim, 14 Drawing Sheets



(56)

References Cited

U.S. PATENT DOCUMENTS

D742,387	S *	11/2015	Xiang	D14/447
D757,705	S *	5/2016	Esses	D14/251
D782,462	S *	3/2017	Huang	D14/253
2011/0278885	A1 *	11/2011	Procter	B60R 11/0235 297/135
2015/0192155	A1 *	7/2015	Chen	H04N 5/2251 348/376
2015/0230351	A1 *	8/2015	Yeo	F16B 2/12 248/205.5
2016/0014243	A1 *	1/2016	Snowden	B60R 11/0241 455/575.1

* cited by examiner

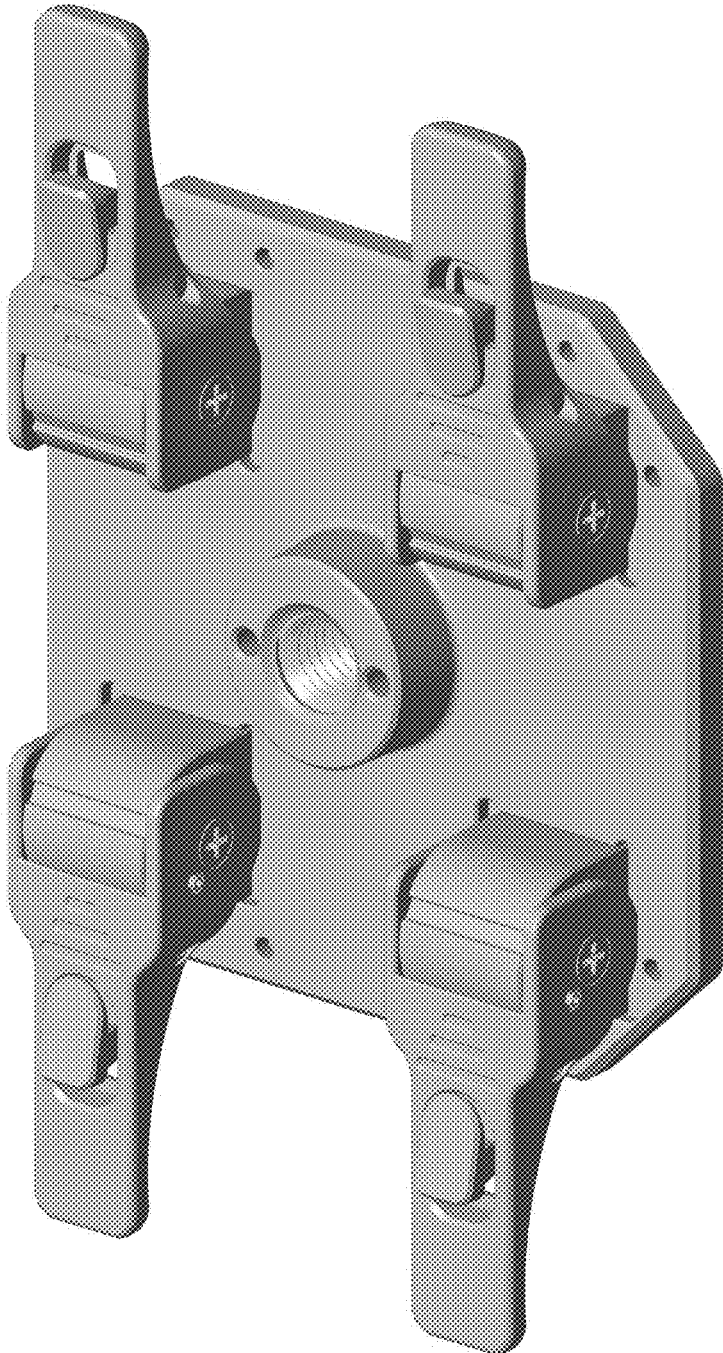


Fig. 1

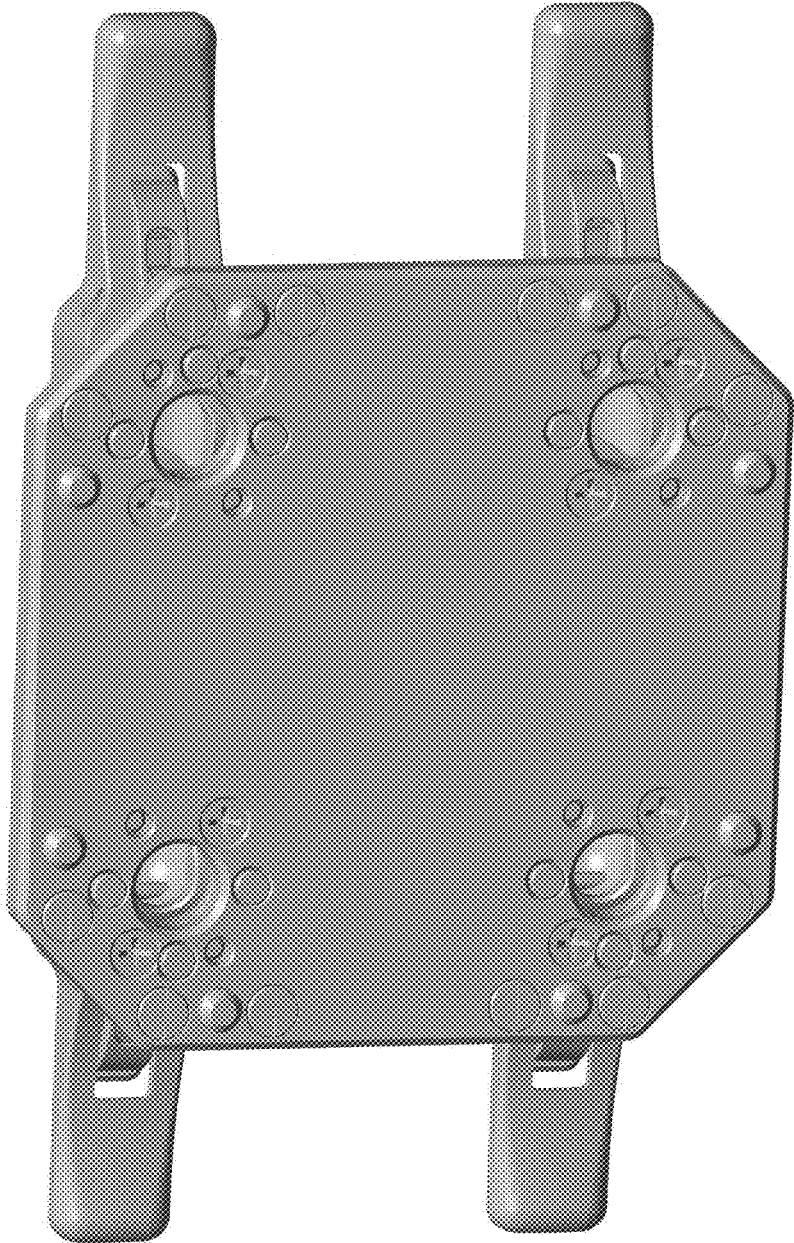


Fig. 2

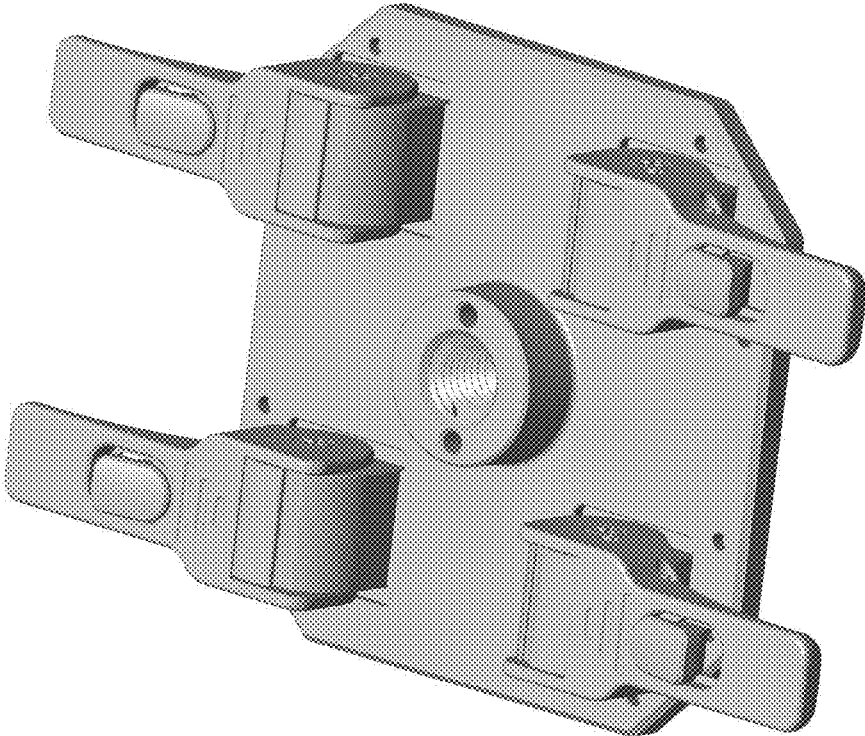


Fig. 3

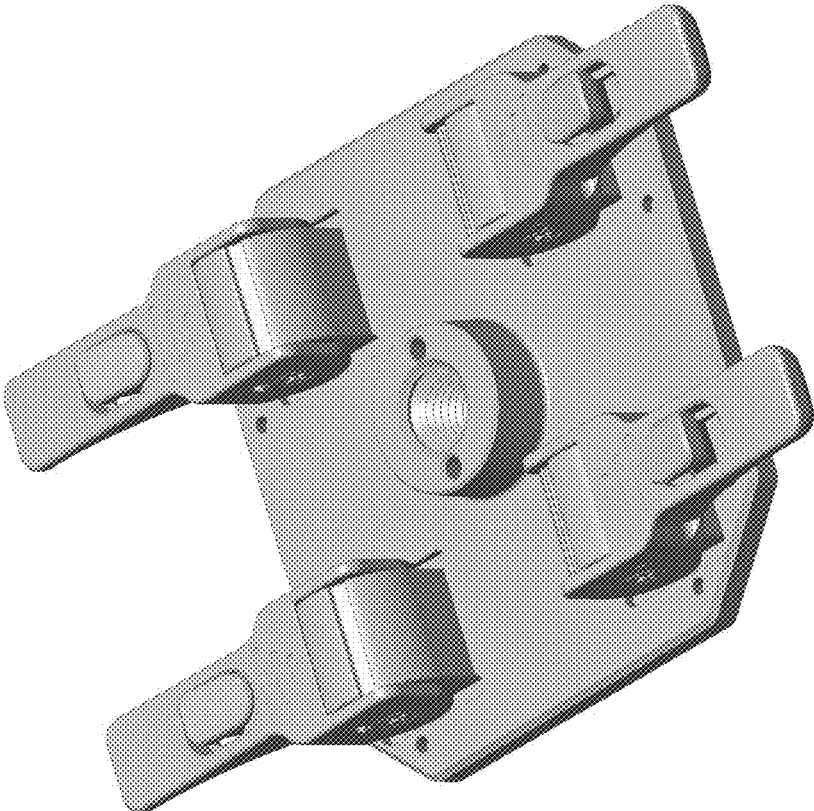


Fig. 4

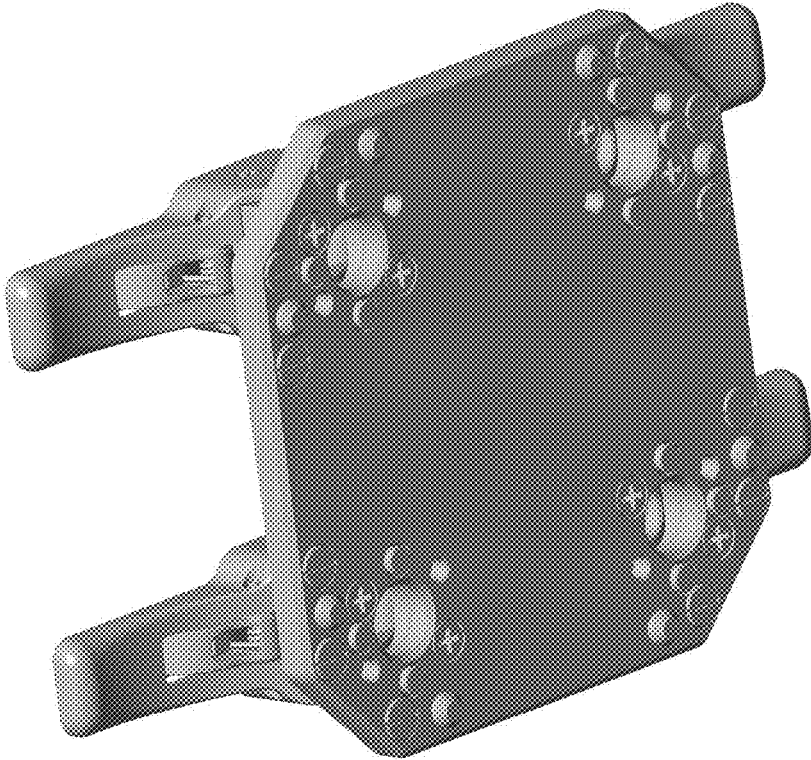


Fig. 5

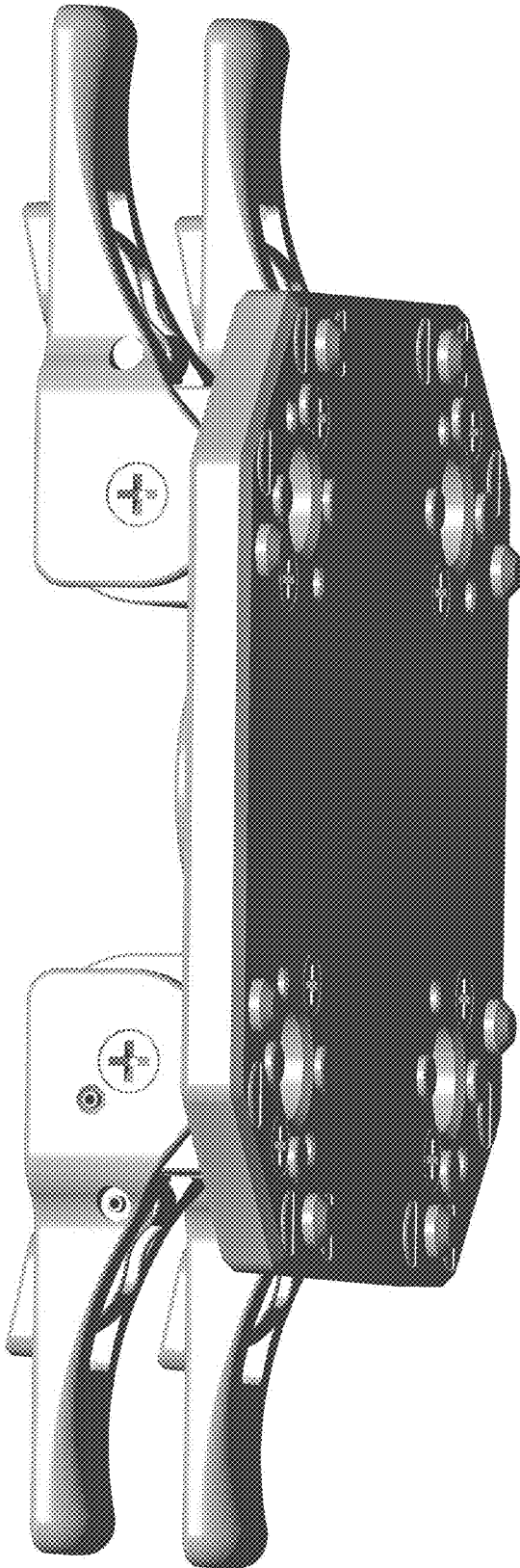


Fig. 6

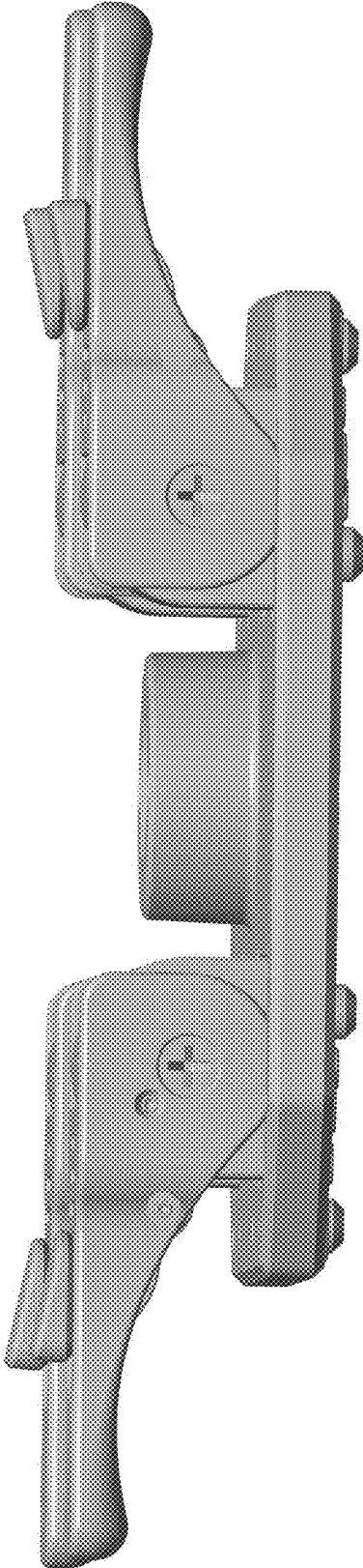


Fig. 7

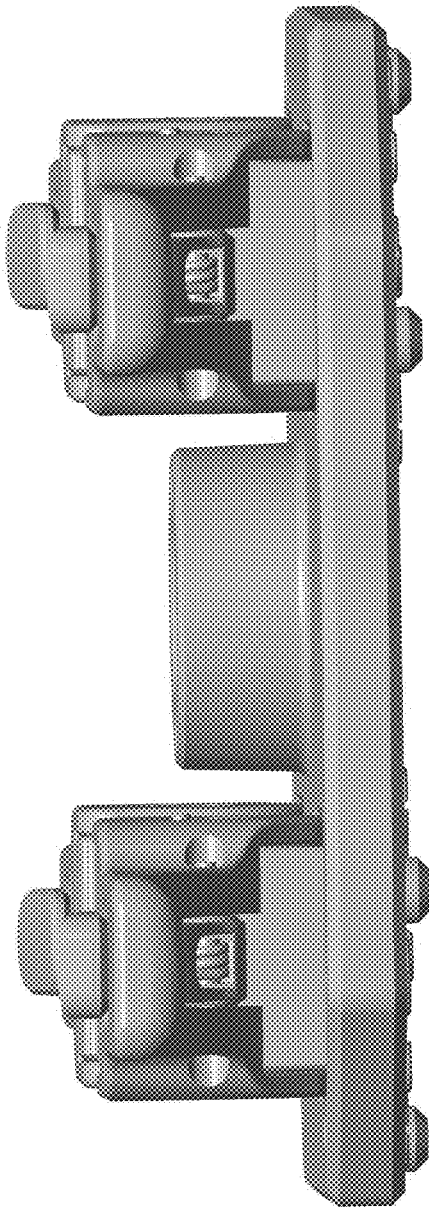


Fig. 8

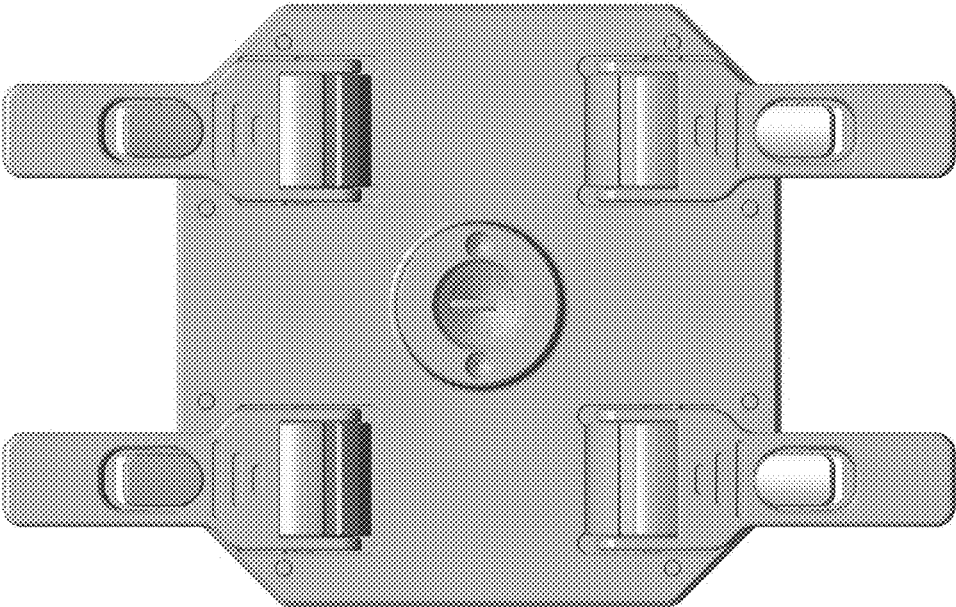


Fig. 9

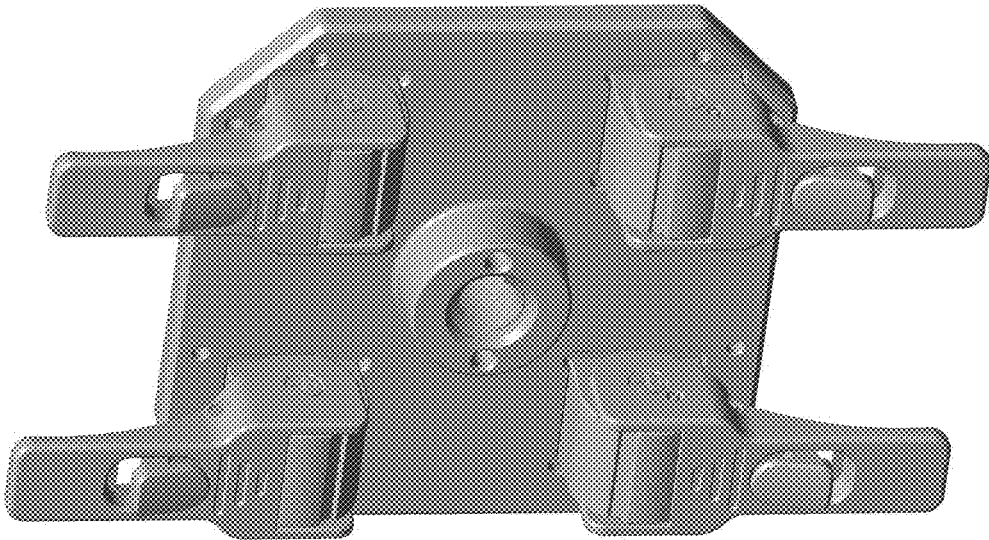


Fig. 10

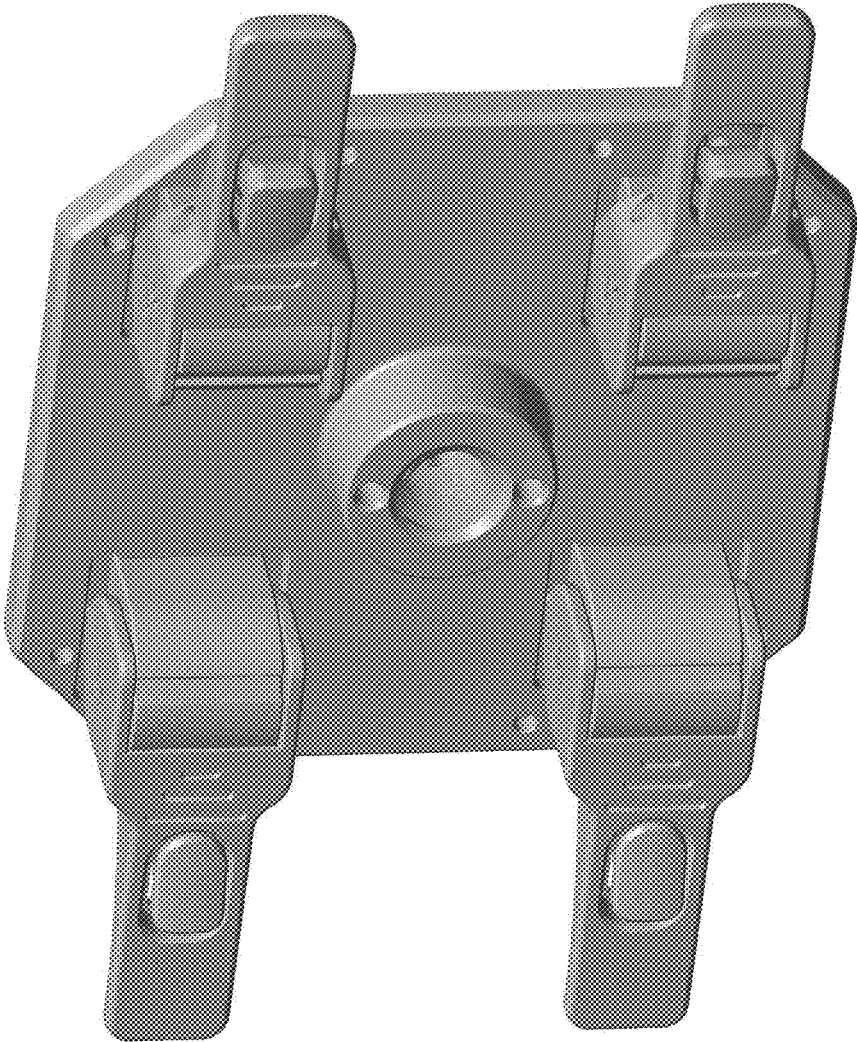


Fig. 11

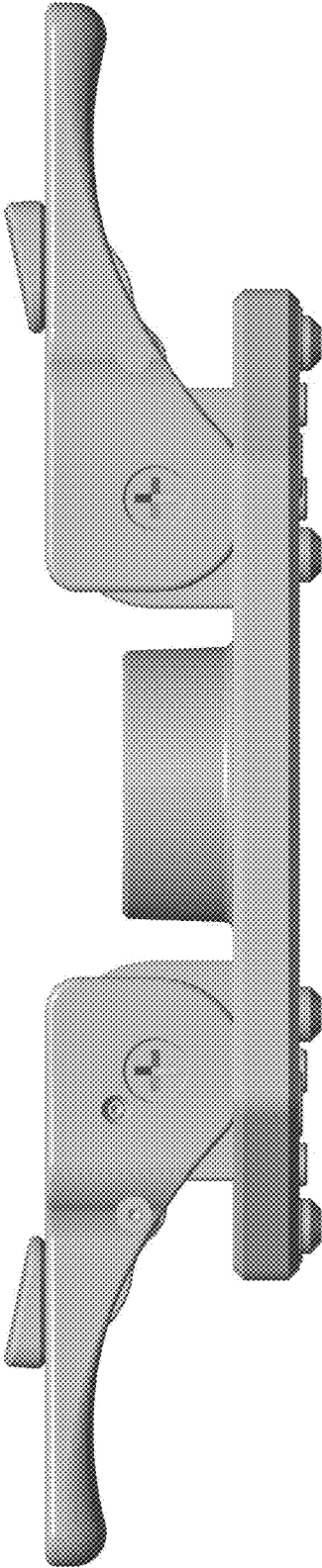


Fig. 12

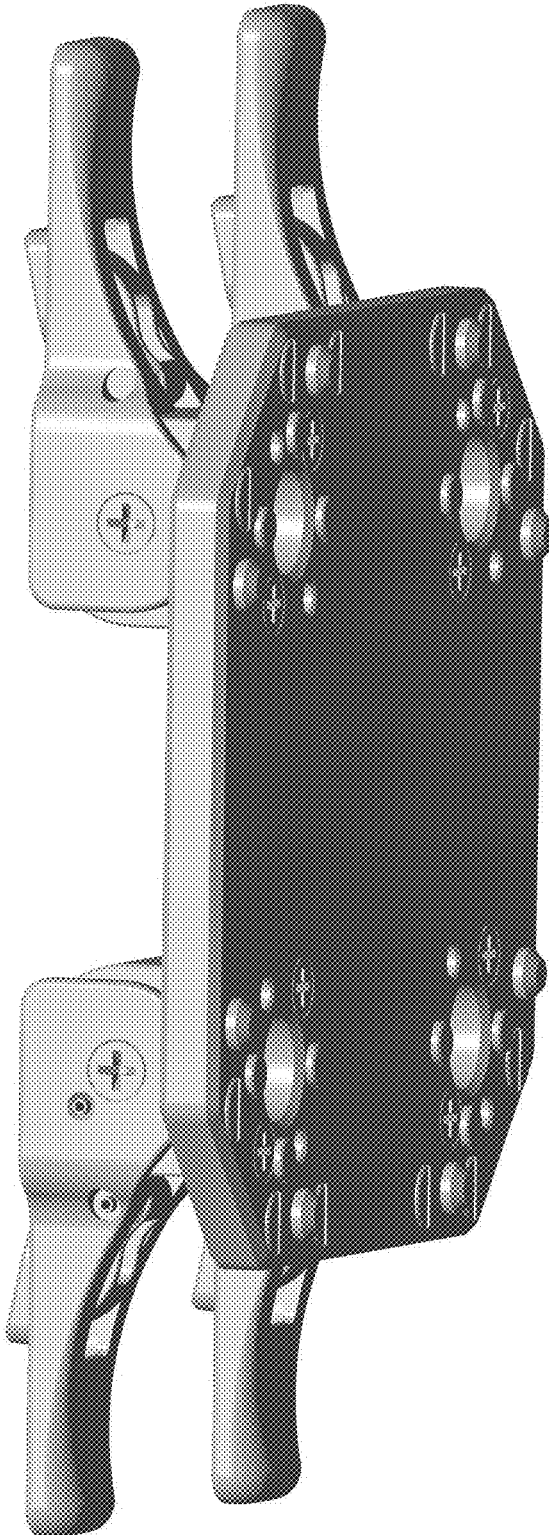


Fig. 13

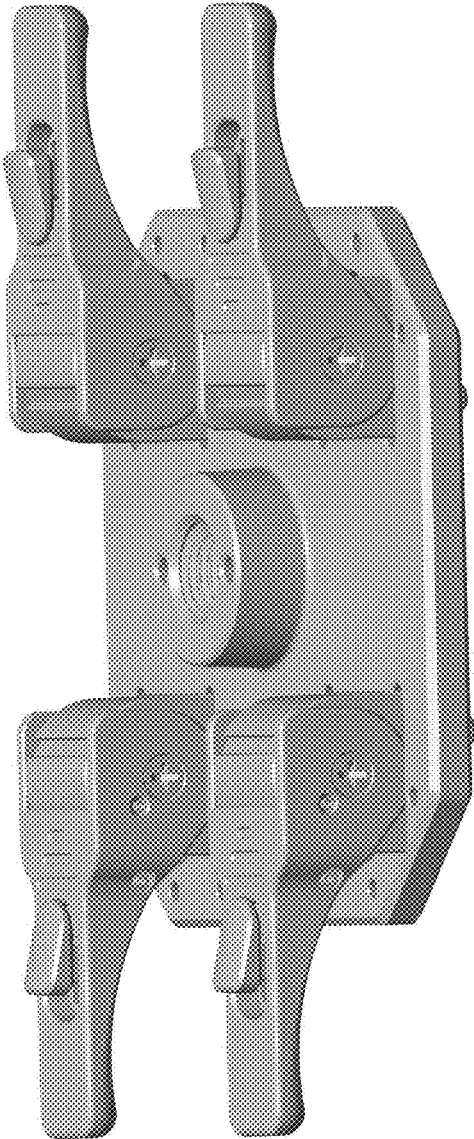


Fig. 14