



US0D1009136S

(12) **United States Design Patent**
Wang et al.

(10) **Patent No.:** **US D1,009,136 S**

(45) **Date of Patent:** **** Dec. 26, 2023**

(54) **PHOTOGRAPHY TRIPOD**

(71) Applicant: **SHENZHEN XINGYINGDA INDUSTRY CO., LTD.**, Shenzhen (CN)

(72) Inventors: **Jun Wang**, Shenzhen (CN); **Yan Ke**, Shenzhen (CN)

(**) Term: **15 Years**

(21) Appl. No.: **29/890,875**

(22) Filed: **Apr. 27, 2023**

(51) **LOC (14) Cl.** **14-03**

(52) **U.S. Cl.**
USPC **D16/244**

(58) **Field of Classification Search**
USPC D16/214, 219, 221–235, 237, 239–242, D16/244–245
CPC F16M 11/16; F16M 11/041; F16M 11/06; F16M 11/08; F16M 11/10; F16M 11/105; F16M 11/14; F16M 11/126; F16M 11/32; F16M 11/34; F16M 11/36; F16M 11/28; F16M 11/30; F16M 11/043; F16M 11/046; F16M 11/048; F16M 11/045; F16M 11/04; F16M 13/00; G03B 17/56; G03B 17/561; F16B 7/10; F16B 7/04; F16B 7/105; F16B 7/14; F16B 7/1418; F16B 7/1427; F16B 7/0433; F21V 21/22
See application file for complete search history.

(56) **References Cited**

U.S. PATENT DOCUMENTS

D258,661 S *	3/1981	Shiraishi	D16/244
D263,147 S *	2/1982	Iwasaki	D16/244
D264,728 S *	6/1982	Iwasaki	D16/244
D269,880 S *	7/1983	Iwasaki	D16/244
D290,963 S *	7/1987	Groschupp	D16/244

(Continued)

OTHER PUBLICATIONS

Artcise, Aluminum Pro Video Tripod, posted at Amazon, posting date Sep. 2, 2020. Site visited May 19, 2023. URL: <https://www.amazon.co.jp/dp/B08HCC3S9L/> (Year: 2020).*

(Continued)

Primary Examiner — Kathleen L Jones

(57) **CLAIM**

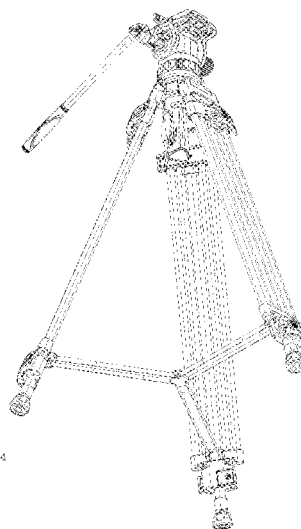
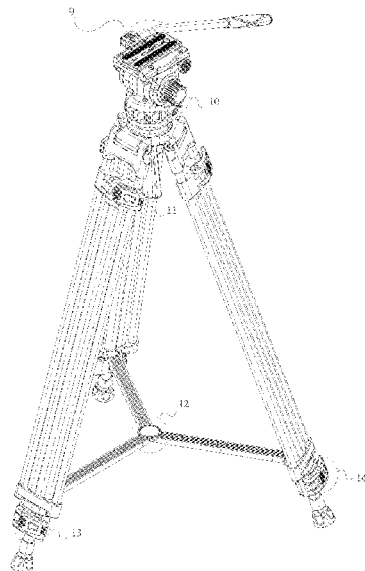
The ornamental design for a photography tripod, as shown and described.

DESCRIPTION

FIG. 1 is a front, left and top perspective view of a photography tripod showing our new design; FIG. 2 is a left view thereof; FIG. 3 is a right view thereof; FIG. 4 is a front elevational view thereof; FIG. 5 is a rear elevational view thereof; FIG. 6 is a top plan view thereof; FIG. 7 is a bottom plan view thereof; FIG. 8 is a front, right and bottom perspective view thereof; FIG. 9 is an enlarged view of a portion labeled as 9 on FIG. 1; FIG. 10 is an enlarged view of a portion labeled as 10 on FIG. 1; FIG. 11 is an enlarged view of a portion labeled as 11 on FIG. 1; FIG. 12 is an enlarged view of a portion labeled as 12 on FIG. 1; FIG. 13 is an enlarged view of a portion labeled as 13 on FIG. 1; and, FIG. 14 is an enlarged view of a portion labeled as 14 on FIG. 1.

The dash-dash broken lines shown in FIGS. 1, 9, 10, 11, 12, 13 and 14 depict enlargement boundaries that form no part of the claimed design, The broken lines showing portions of the photography tripod form no part of the claimed design.

1 Claim, 14 Drawing Sheets



(56)

References Cited

U.S. PATENT DOCUMENTS

D344,969	S *	3/1994	Nakatani	D16/244
D632,720	S	2/2011	Barker et al.	
D720,384	S	12/2014	Holmen	
D829,266	S	9/2018	Zeng	
D853,613	S *	7/2019	Lien	D26/63
D857,084	S *	8/2019	Chen	D16/244
D902,986	S	11/2020	Zeng	
D916,172	S	4/2021	Zeng	
D917,604	S	4/2021	Zeng	
D942,529	S *	2/2022	Lin	D16/244
D943,020	S *	2/2022	Lin	D16/244
D952,613	S *	5/2022	Wu	D14/227
D957,510	S *	7/2022	Lin	D16/244
D962,328	S *	8/2022	Zhong	D16/244
D967,243	S	10/2022	Wang et al.	
D969,204	S *	11/2022	Shen	D16/244
D974,453	S *	1/2023	Li	D16/244
D974,454	S *	1/2023	Zeng	D16/244
D975,170	S	1/2023	Chen	
2015/0076296	A1 *	3/2015	Yang	F16M 11/32 248/163.2

OTHER PUBLICATIONS

Miliboo, MTT602A Tripod for Camera, posted at Amazon, posting date Jan. 11, 2019. Site visited May 19, 2023. URL: <<https://www.amazon.in/miliboo-MTT602A-Tripod-Hydraulic-Digital/dp/B06XNJRRLS>> (Year: 2019).*

Smallrig, AD-100 FreeBlazer Heavy-Duty Carbon Fiber Tripod System, posted at Amazon, posting date Mar. 17, 2023. Site visited May 31, 2023. URL: <<https://www.amazon.com/SmallRig-FreeBlazer-Heavy-Duty-Dual-Mode-Quick-Release/dp/B0BYS9D8BF>> (Year: 2023).*

Teris, Trix TCE-CF Carbon Fiber Video Camera Tripod Kit, posted at Amazon, posting date Dec. 3, 2019. Site visited May 19, 2023. URL: <<https://www.amazon.co.jp/-/en/TCE-CF-Carbon-Camera-Tripod-Professional/dp/B081T9JPVF>> (Year: 2019).*

Coman, Heavy Duty Tripod Professional Video Tripod, posted at Amazon, posting date May 29, 2018. Site visited May 19, 2023. URL: <<https://www.amazon.com/dp/B07DCPLBXR/>> (Year: 2018).*

Avella, VH501 Video Tripod System, posted at Amazon, posting date Dec. 3, 2019. Site visited May 19, 2023. URL: <<https://www.amazon.com/dp/B0829J13T4/>> (Year: 2019).*

* cited by examiner

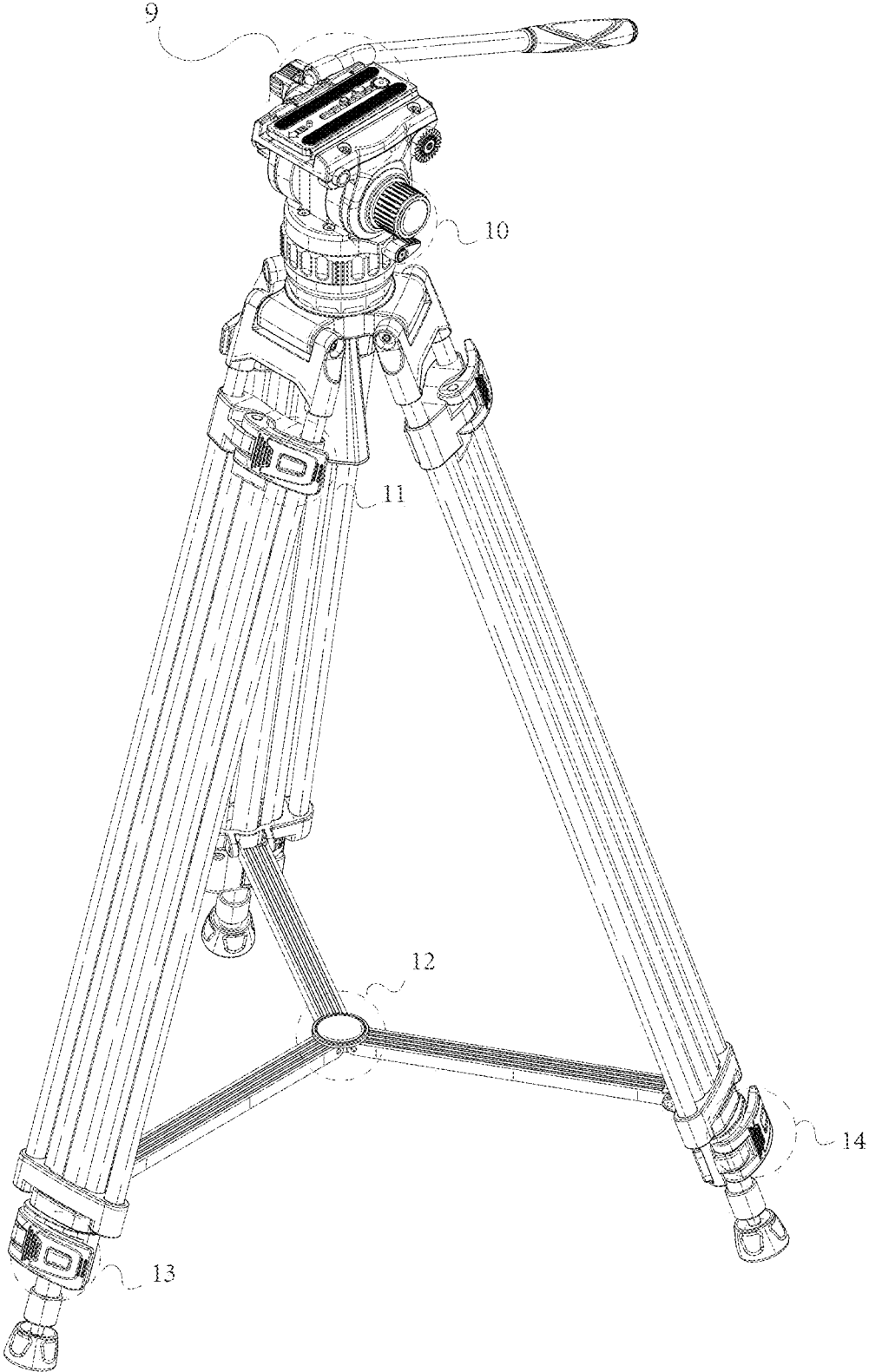


FIG. 1

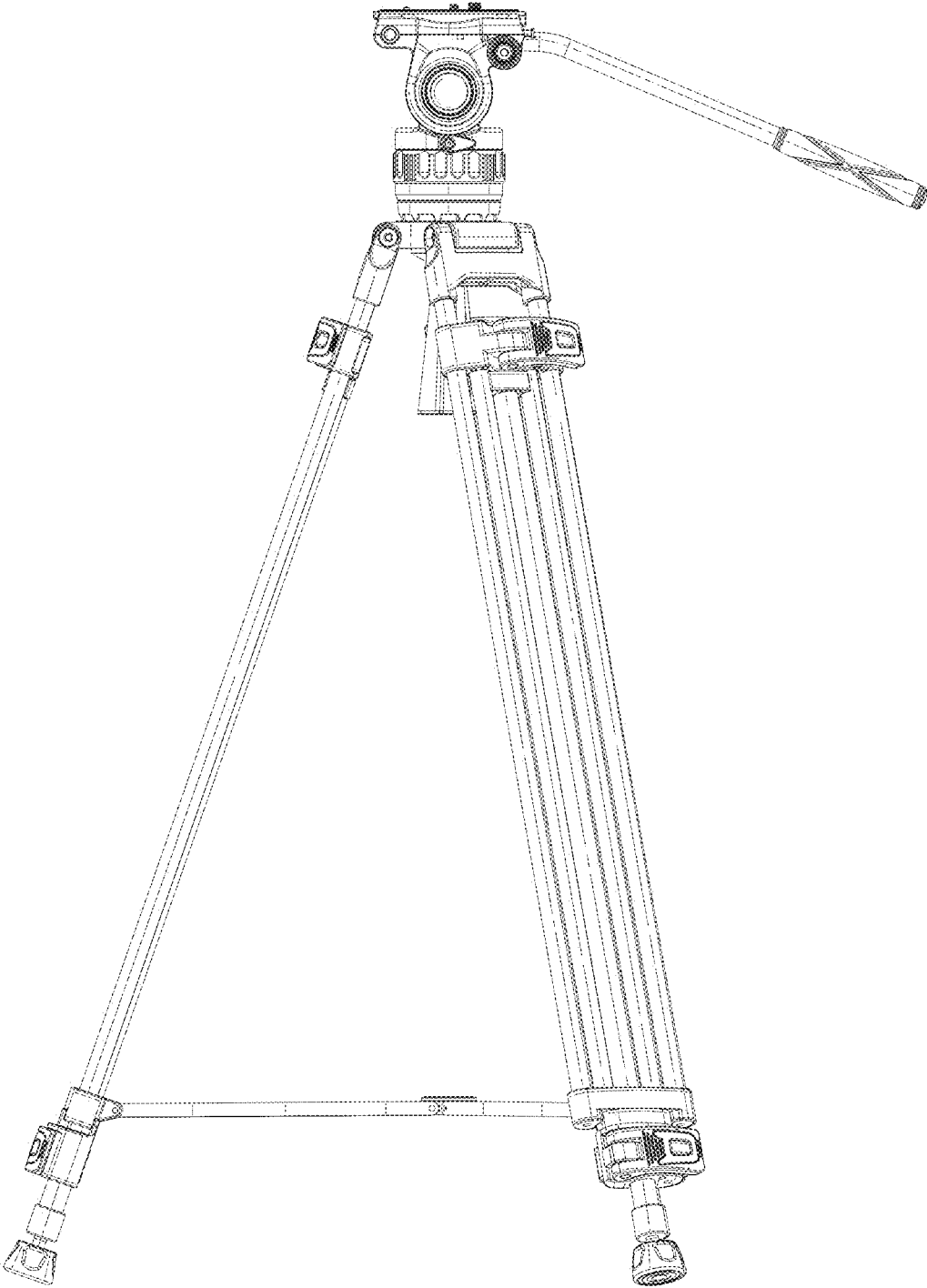


FIG.2

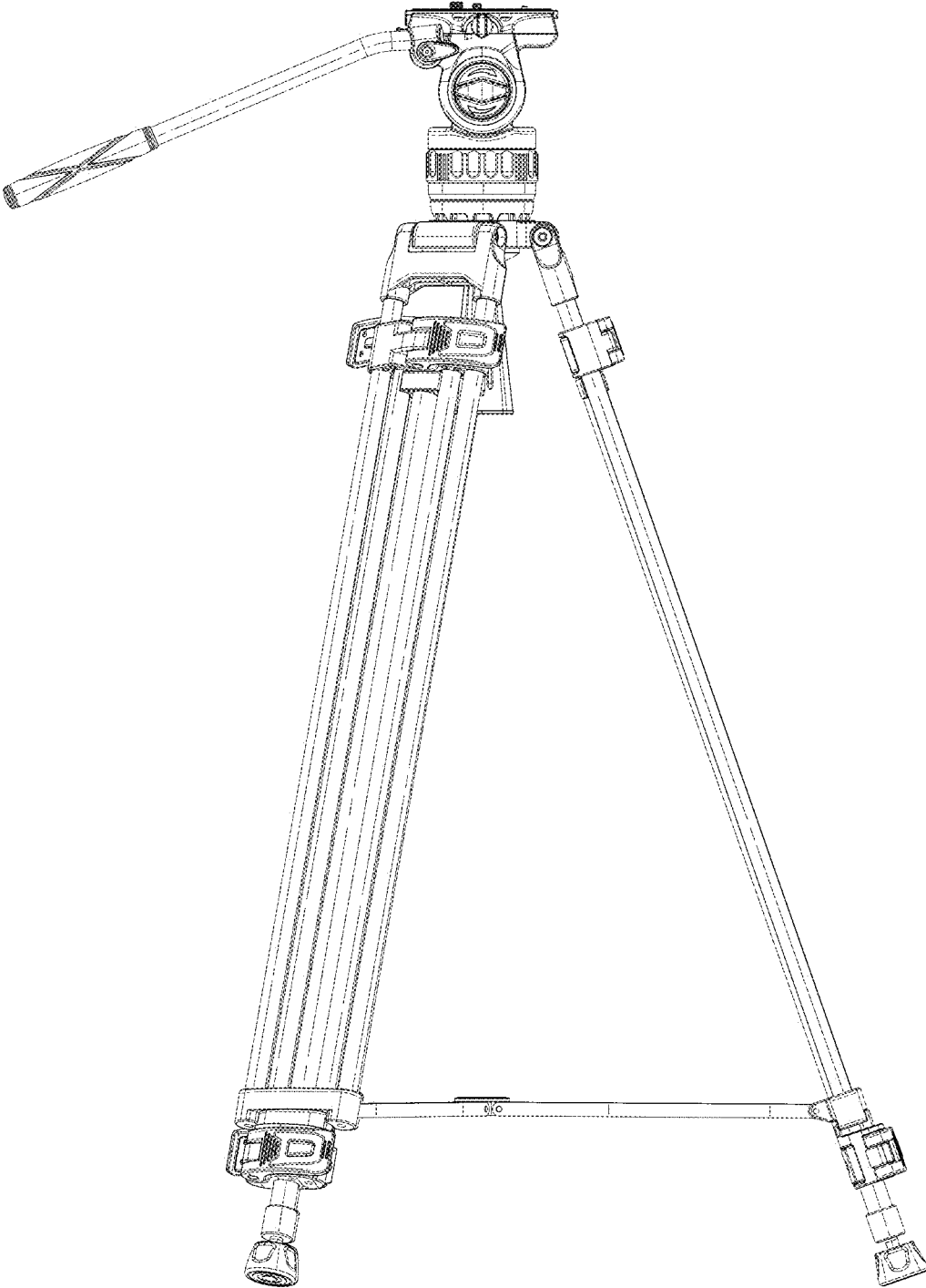


FIG. 3

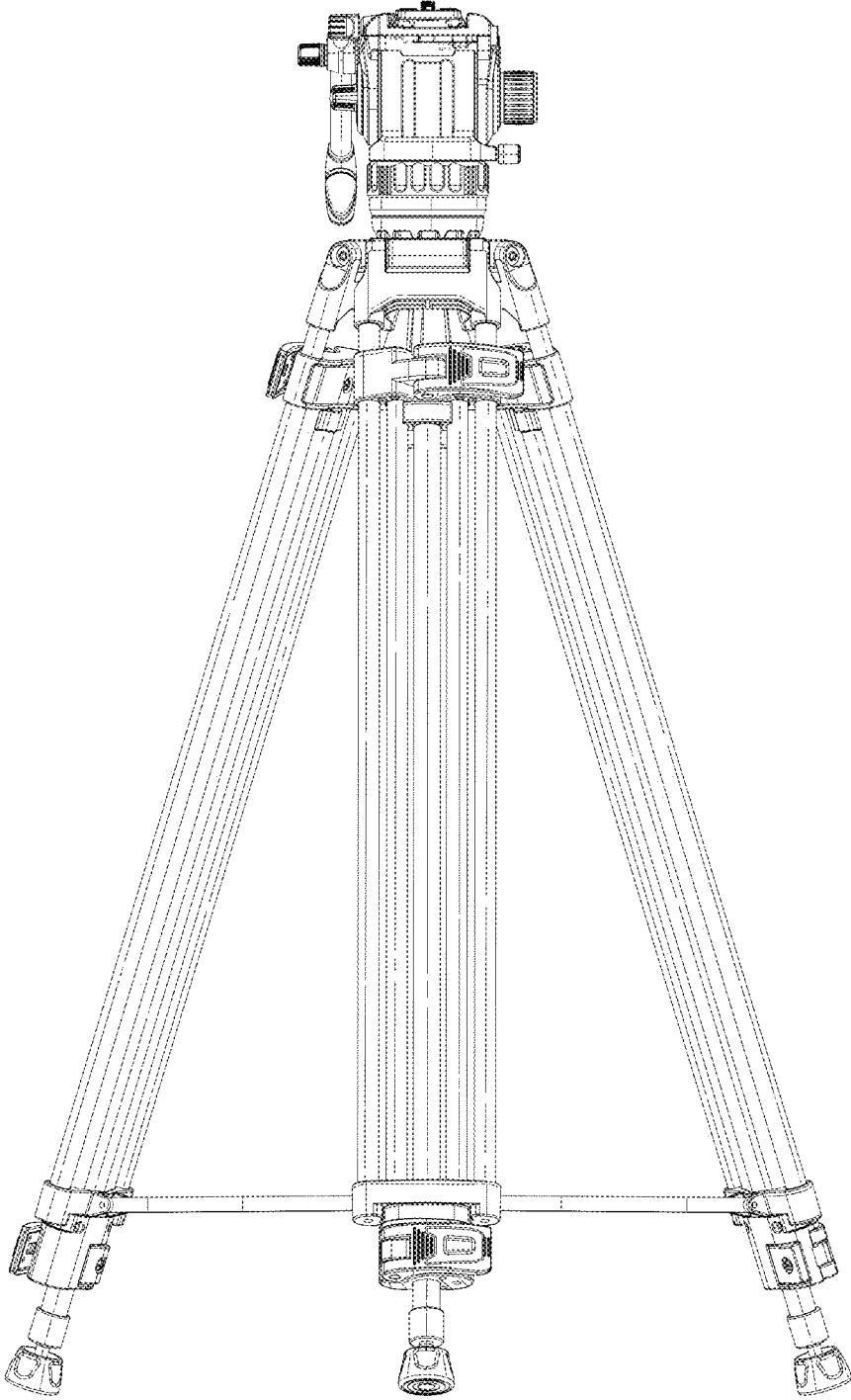


FIG.4

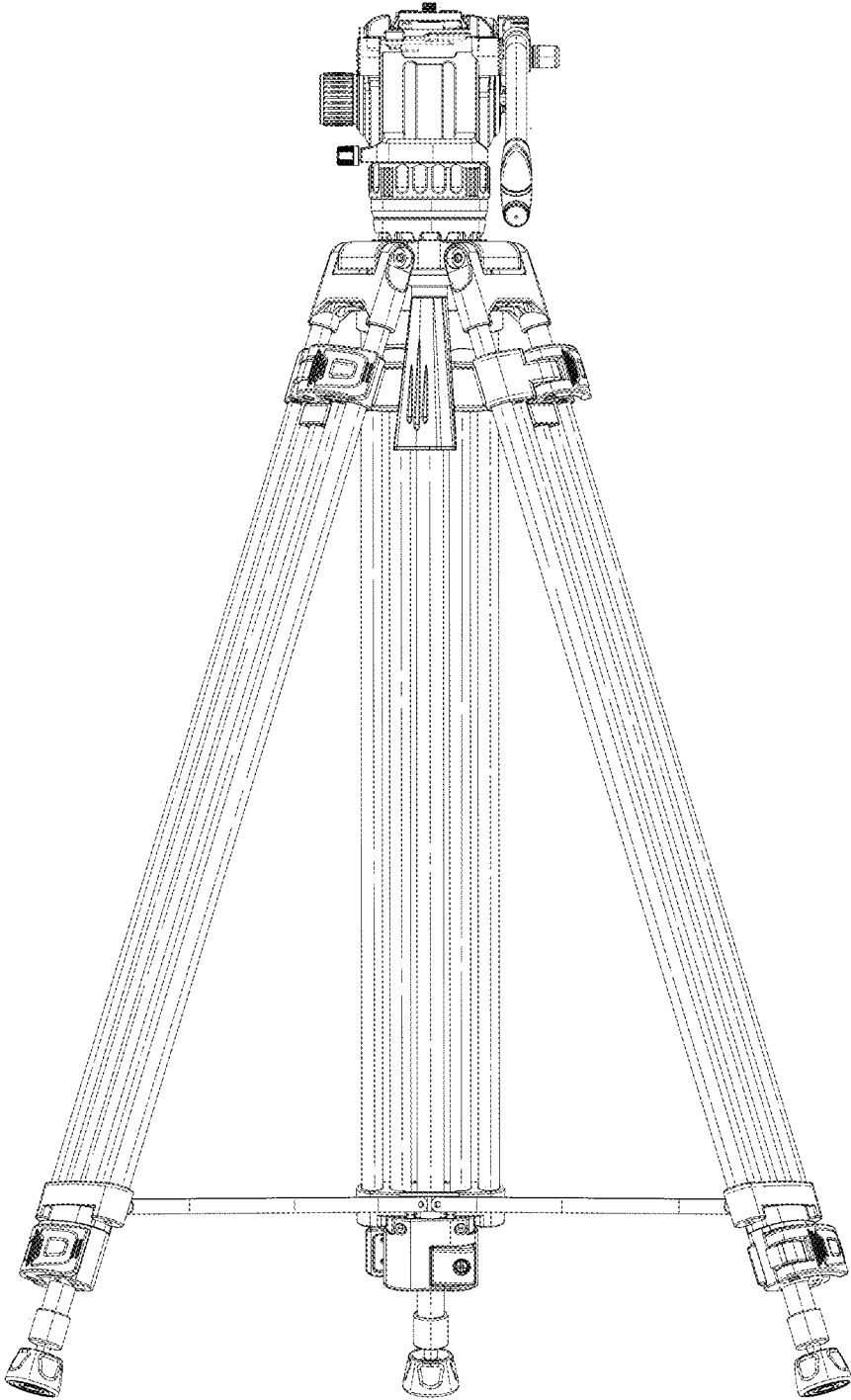


FIG.5

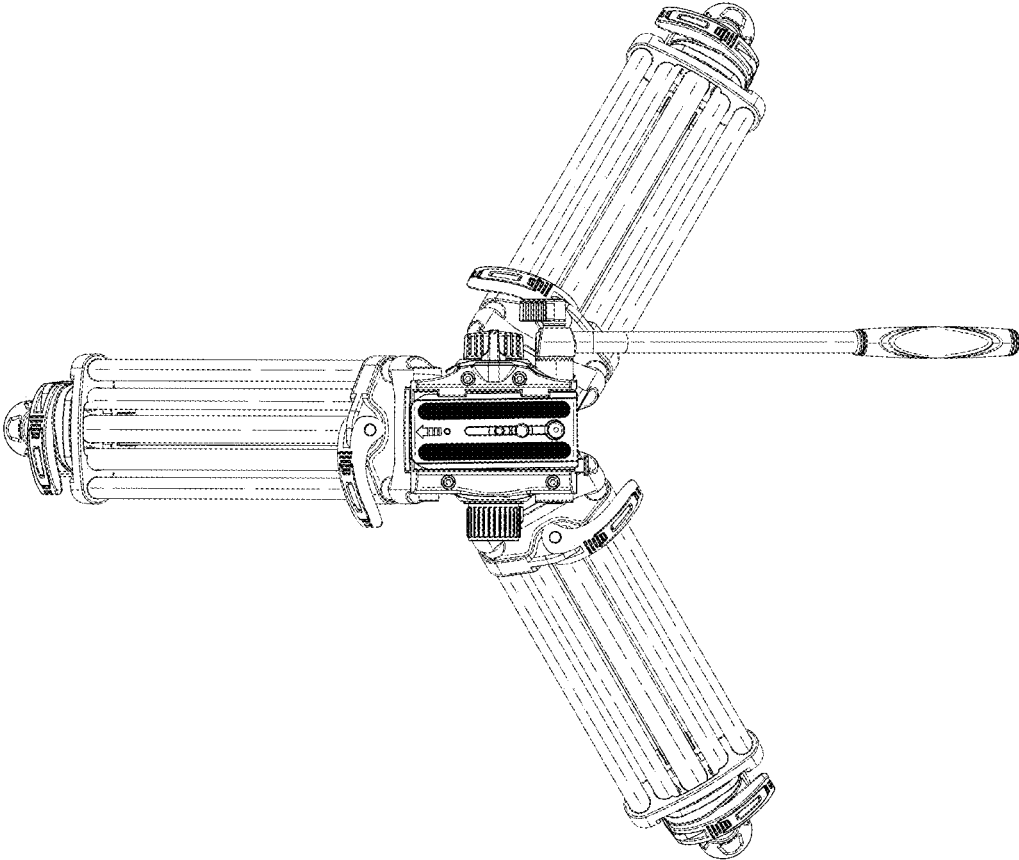


FIG.6

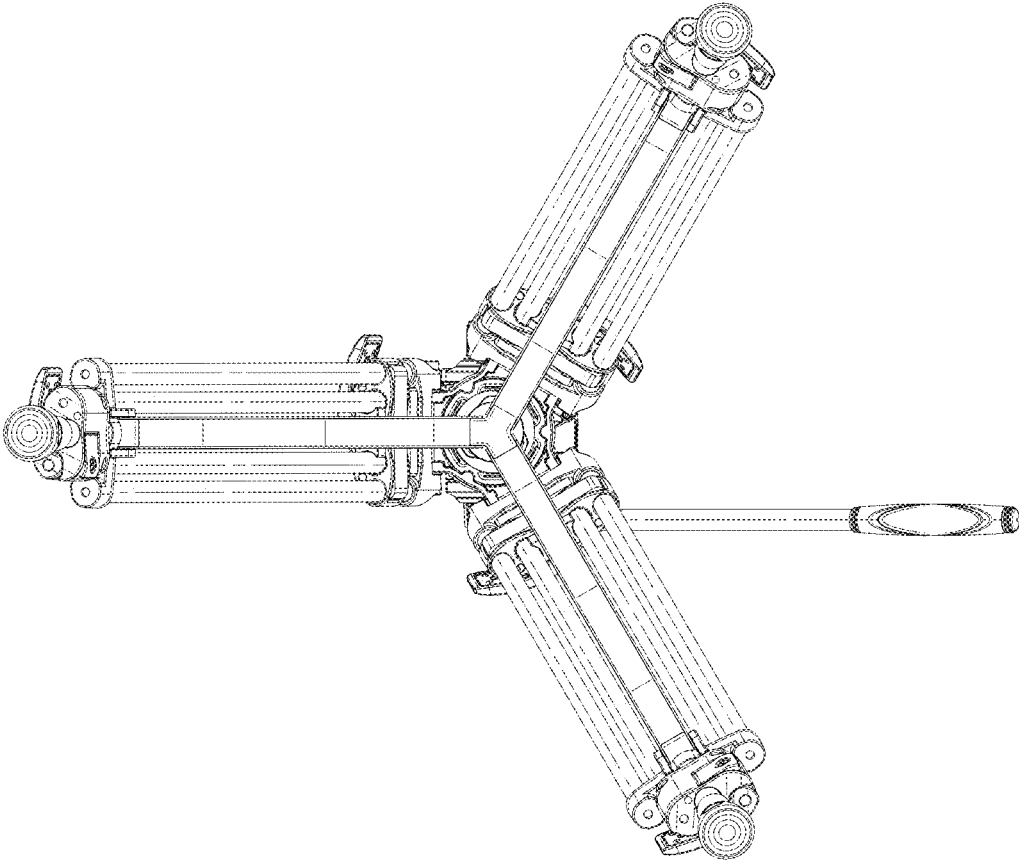


FIG.7

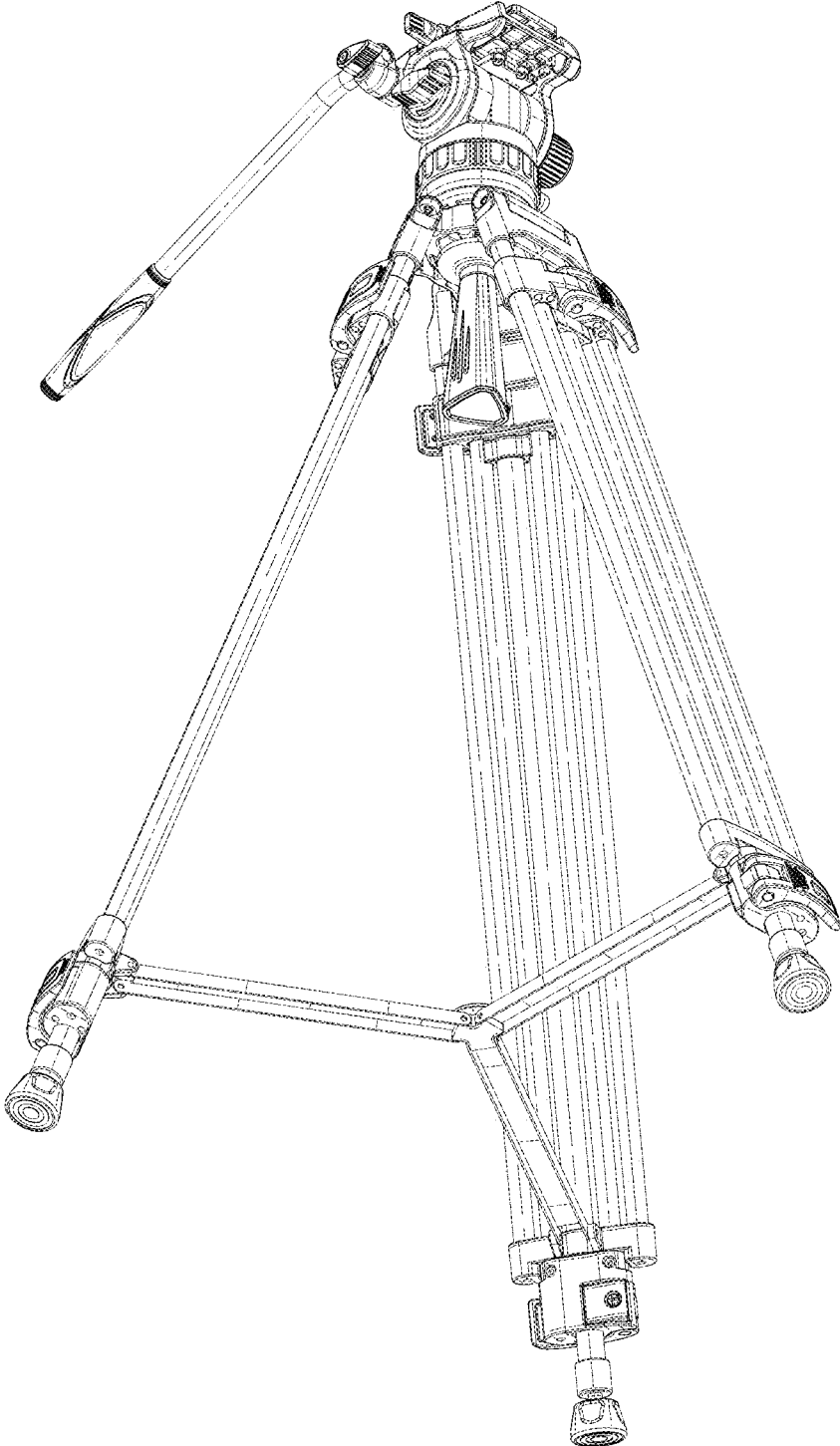


FIG.8

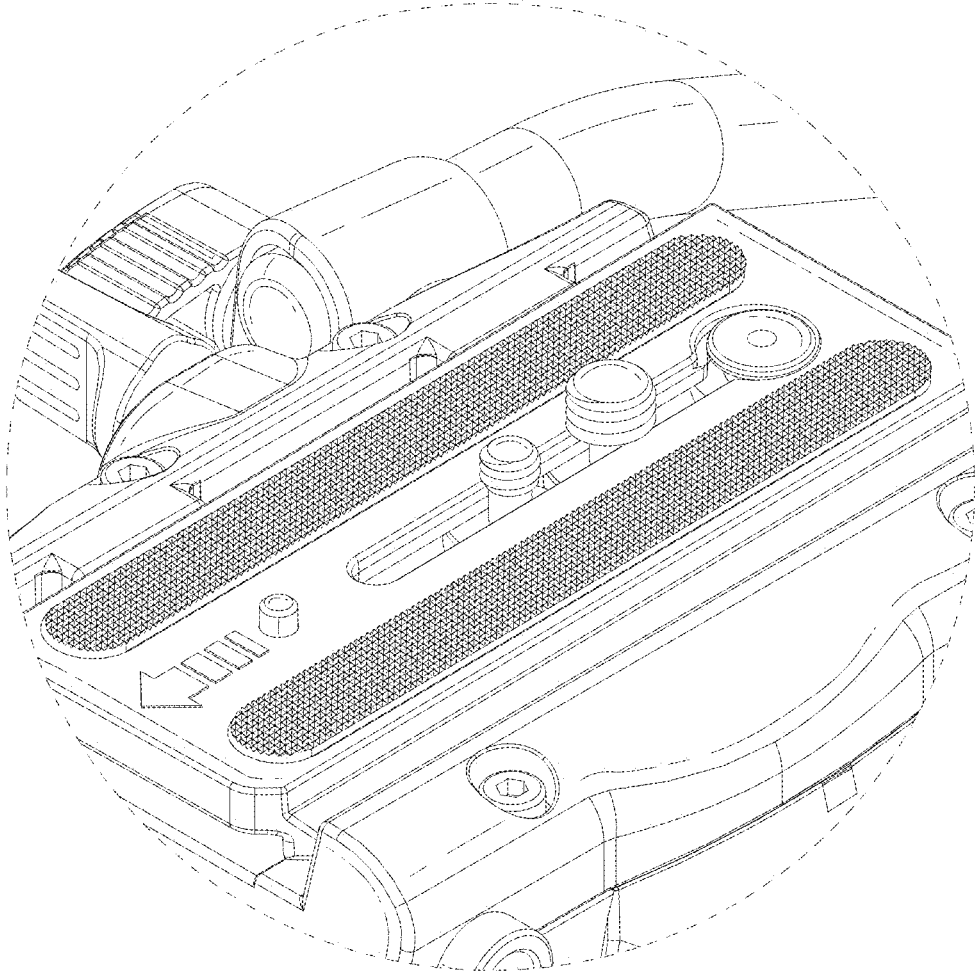


FIG.9

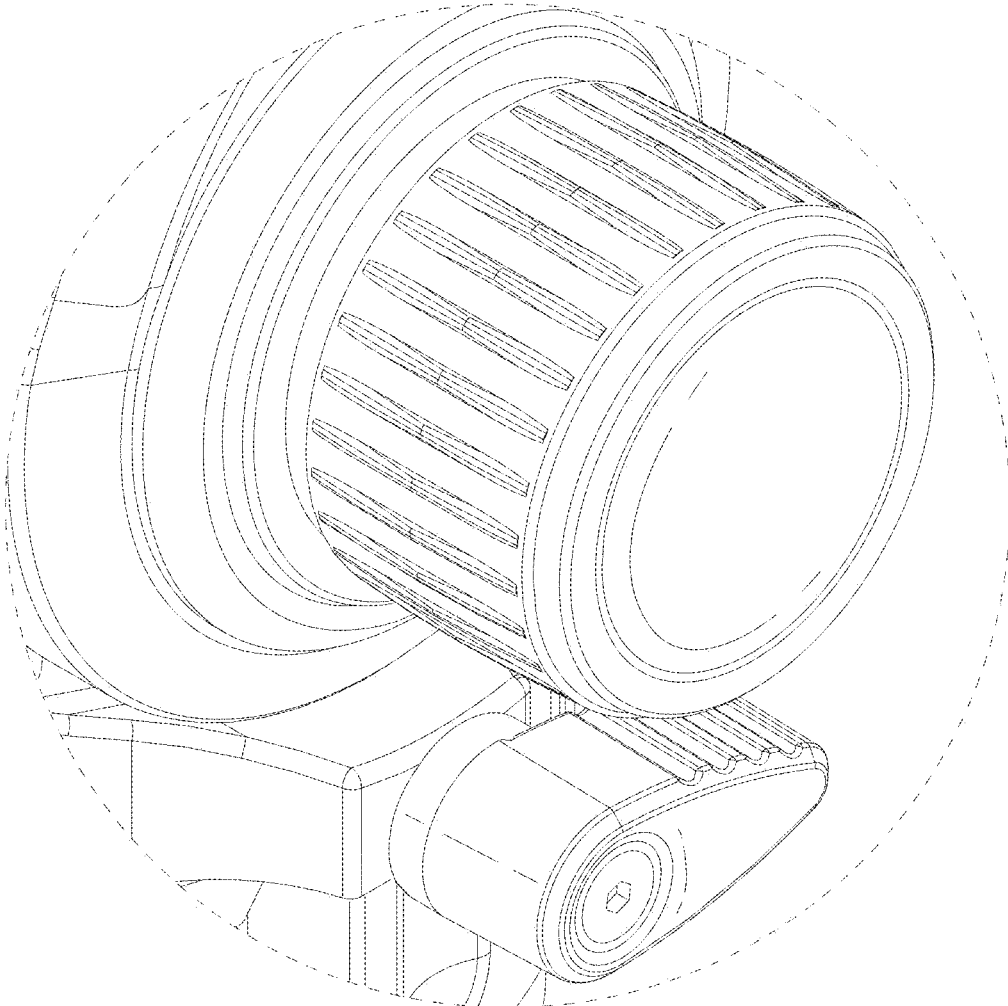


FIG.10

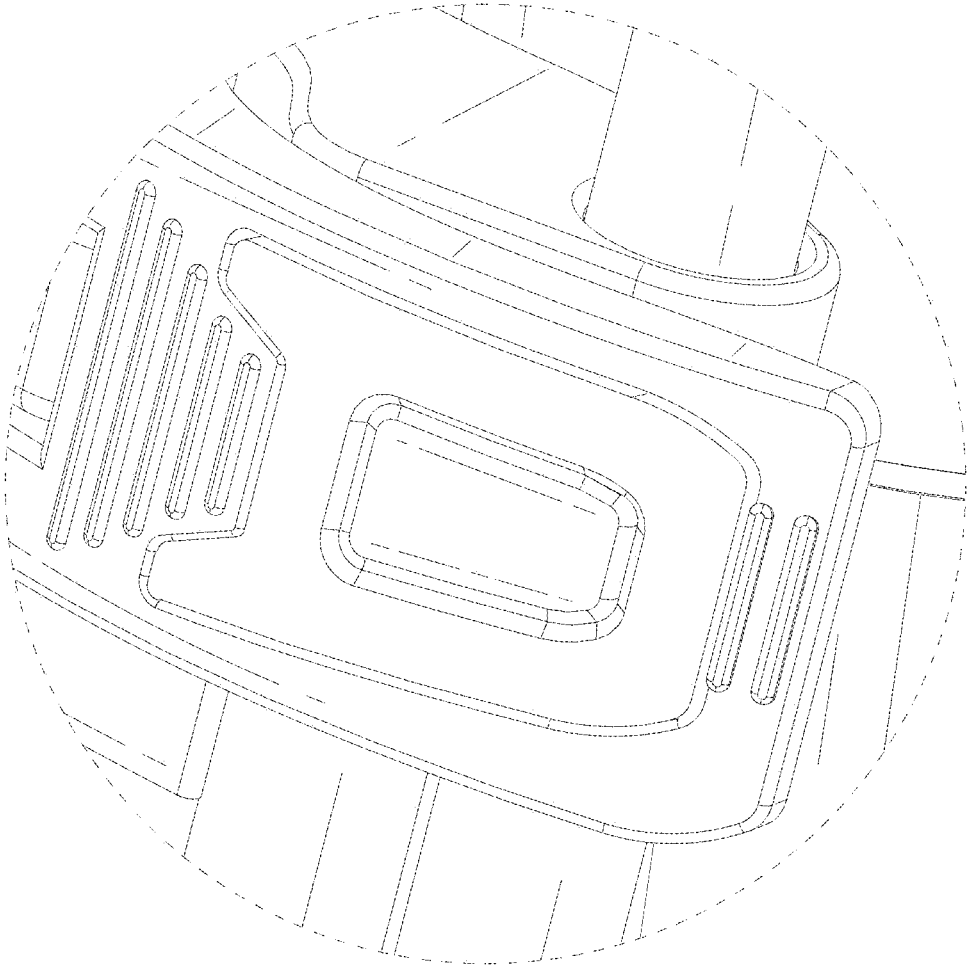


FIG.11

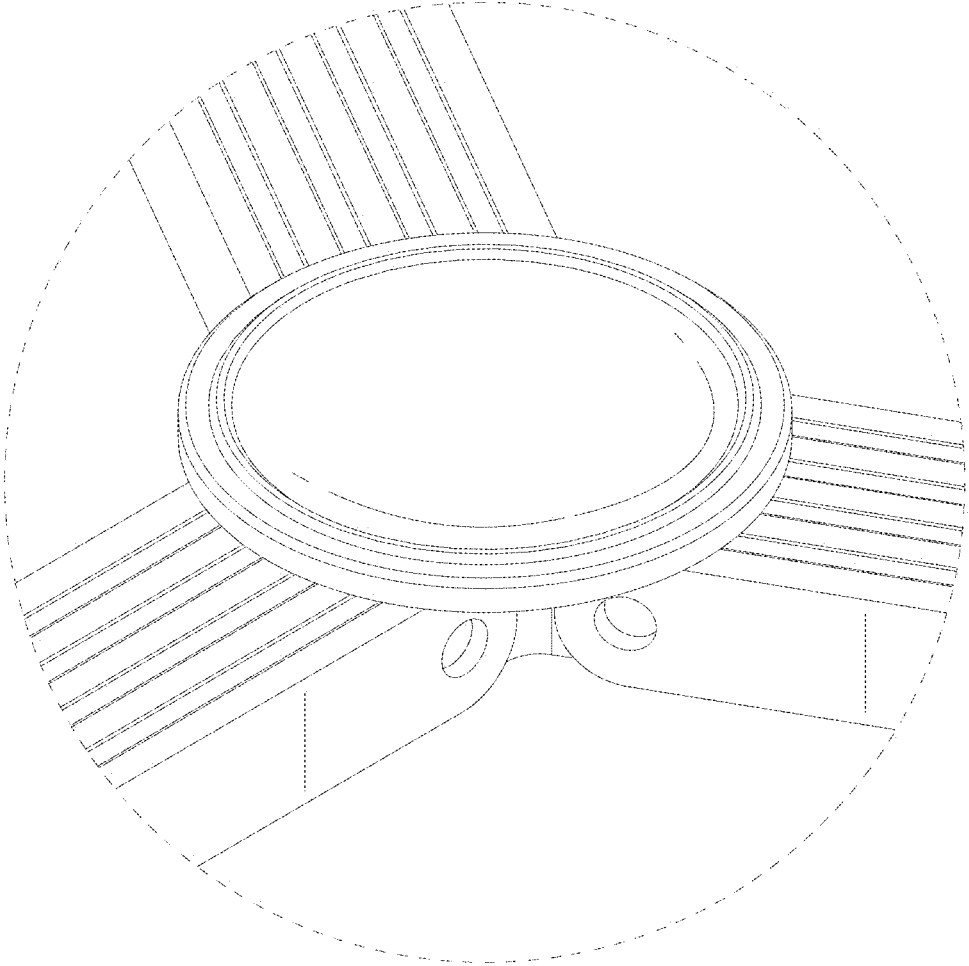


FIG.12

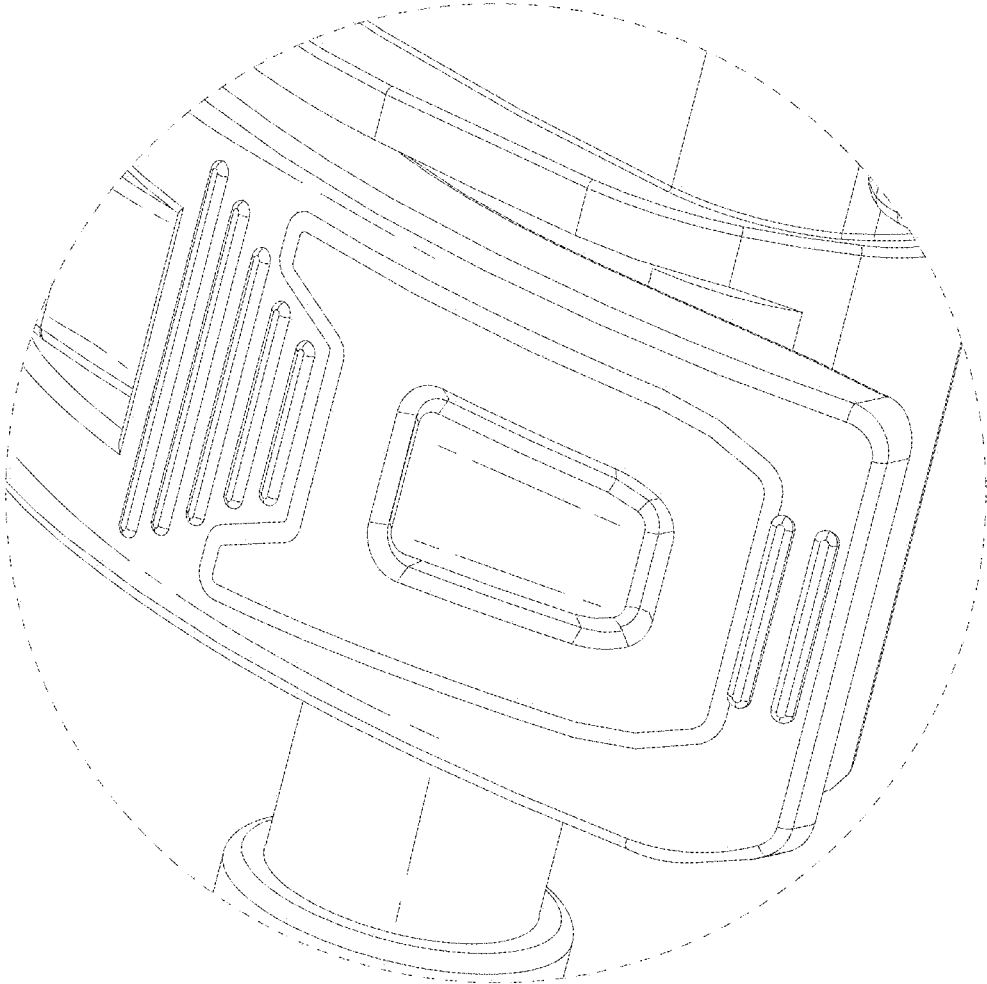


FIG.13

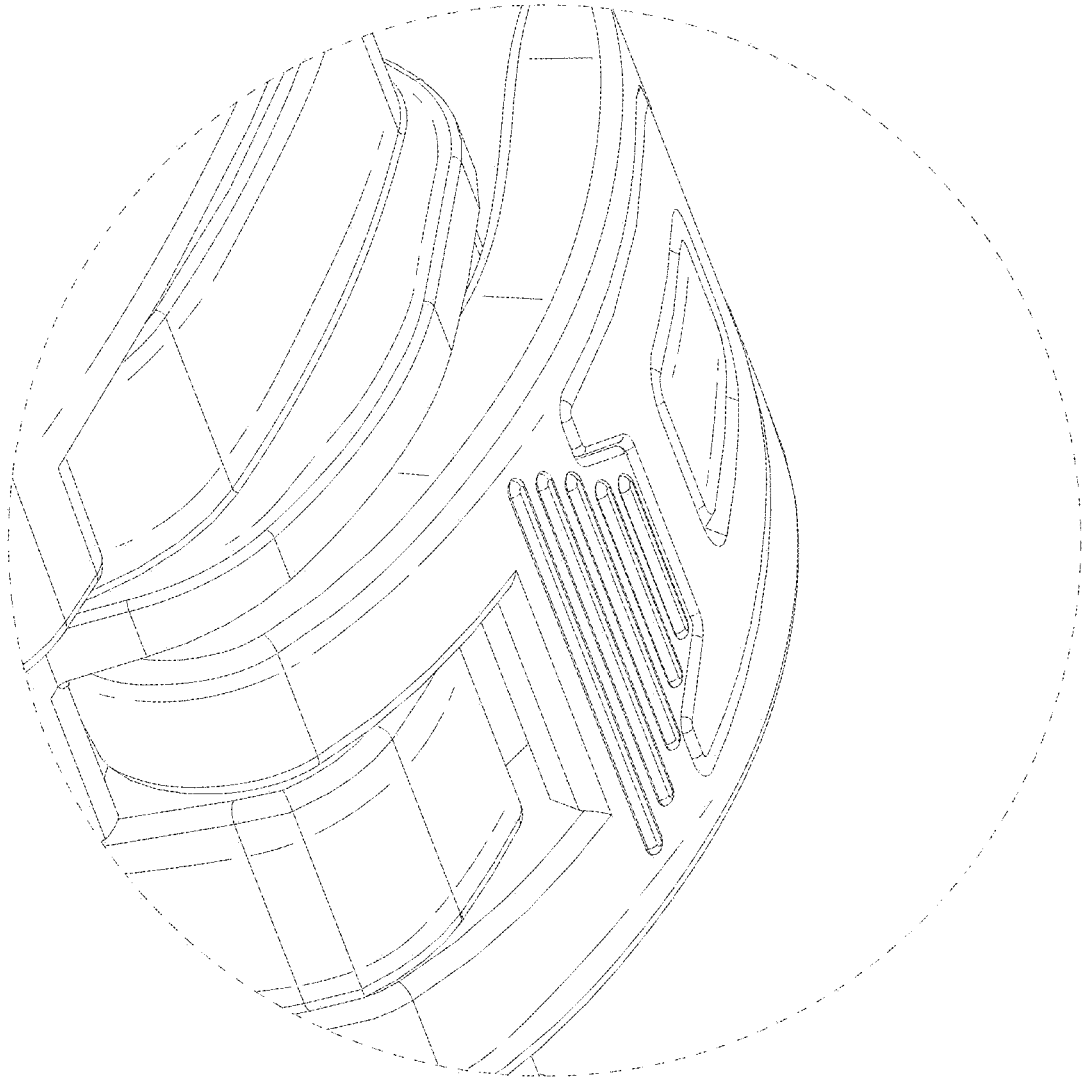


FIG.14