



US00D726075S

(12) **United States Design Patent**  
**D’Aluisio et al.**

(10) **Patent No.:** **US D726,075 S**

(45) **Date of Patent:** **\*\* Apr. 7, 2015**

(54) **BICYCLE FRAME**

(71) Applicant: **Specialized Bicycle Components, Inc.**,  
Morgan Hill, CA (US)

(72) Inventors: **Christopher P. D’Aluisio**, Corralitos,  
CA (US); **Robert F. Egger**, Watsonville,  
CA (US); **Jean-Luc Callahan**, San Jose,  
CA (US); **Andrew Frasca**, Gilroy, CA  
(US)

(73) Assignee: **Specialized Bicycle Components, Inc.**,  
Morgan Hill, CA (US)

(\*\*) Term: **14 Years**

(21) Appl. No.: **29/476,738**

(22) Filed: **Dec. 16, 2013**

(51) **LOC (10) Cl.** ..... **12-11**

(52) **U.S. Cl.**  
USPC ..... **D12/111**

(58) **Field of Classification Search**  
USPC ..... 280/284, 281.1, 274, 288, 285, 283,  
280/288.3, 282, 279, 220, 221, 288.2, 287,  
280/278, 275, 288.4, 124.134, 276, 240,  
280/256, 286, 265, 268, 271, 257, 210;  
29/434, 428, 897.2; 474/116; D12/111,  
D12/108, 124, 169, 113, 112; 156/173, 294;  
224/425, 426, 419; 301/124.2;  
180/227, 68.5, 220; D21/432, 419,  
D21/663, 435, 662, 538; 74/594.3, 527;  
16/44; 220/737

See application file for complete search history.

(56) **References Cited**

U.S. PATENT DOCUMENTS

D486,424	S	*	2/2004	Sagan	.....	D12/111
D635,894	S	*	4/2011	Argote Vivar	.....	D12/111
D637,526	S	*	5/2011	Choi et al.	.....	D12/111
D637,527	S	*	5/2011	Choi et al.	.....	D12/111
8,042,822	B2		10/2011	D’Aluisio		
8,075,010	B2	*	12/2011	Talavasek et al.	.....	280/288
D662,011	S	*	6/2012	D’Aluisio et al.	.....	D12/111
8,403,350	B2	*	3/2013	Talavasek et al.	.....	280/281.1

(Continued)

*Primary Examiner* — Robert M Spear

*Assistant Examiner* — Ryan Harvey

(74) *Attorney, Agent, or Firm* — Michael Best & Friedrich LLP

(57) **CLAIM**

We claim the ornamental design for a bicycle frame, as shown and described.

**DESCRIPTION**

FIG. 1 is a perspective view of a first embodiment of a bicycle frame showing our new design.

FIG. 2 is a right side view of the bicycle frame of FIG. 1.

FIG. 3 is a left side view of the bicycle frame of FIG. 1.

FIG. 4 is a front view of the bicycle frame of FIG. 1.

FIG. 5 is a rear view of the bicycle frame of FIG. 1.

FIG. 6 is a top view of the bicycle frame of FIG. 1.

FIG. 7 is a bottom view of the bicycle frame of FIG. 1.

FIG. 8 is a perspective view of a bicycle frame showing a second embodiment of our new design.

FIG. 9 is a right side view of the bicycle frame of FIG. 8.

FIG. 10 is a left side view of the bicycle frame of FIG. 8.

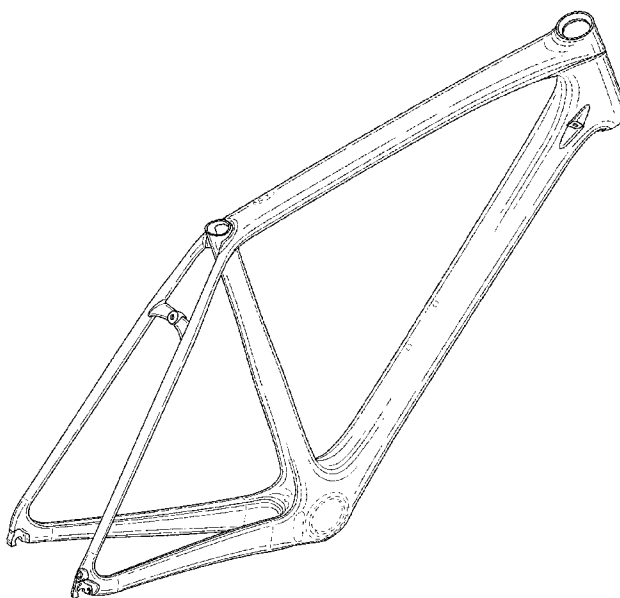
FIG. 11 is a front view of the bicycle frame of FIG. 8.

FIG. 12 is a rear view of the bicycle frame of FIG. 8.

FIG. 13 is a top view of the bicycle frame of FIG. 8; and,

FIG. 14 is a bottom view of the bicycle frame of FIG. 8.

**1 Claim, 10 Drawing Sheets**



(56)

**References Cited**

U.S. PATENT DOCUMENTS

8,496,262 B2	7/2013	Callahan et al.		2009/0267317 A1 *	10/2009	Yang .....	280/283
D689,407 S *	9/2013	Kim .....	D12/111	2010/0096832 A1 *	4/2010	Pinarello .....	280/281.1
D693,740 S *	11/2013	Eagleman et al. ....	D12/111	2011/0233222 A1 *	9/2011	Bethlenfalvy .....	220/737
D714,878 S *	10/2014	Bean et al. ....	D21/435	2012/0169028 A1 *	7/2012	Lund et al. ....	280/281.1
8,857,841 B2 *	10/2014	Lund et al. ....	280/283	2012/0200060 A1 *	8/2012	D'Aluisio et al. ....	280/281.1
				2013/0076001 A1 *	3/2013	D'Aluisio .....	280/281.1
				2013/0300085 A1 *	11/2013	Zecchetto .....	280/281.1
				2014/0054873 A1 *	2/2014	Cocalis .....	280/281.1

\* cited by examiner

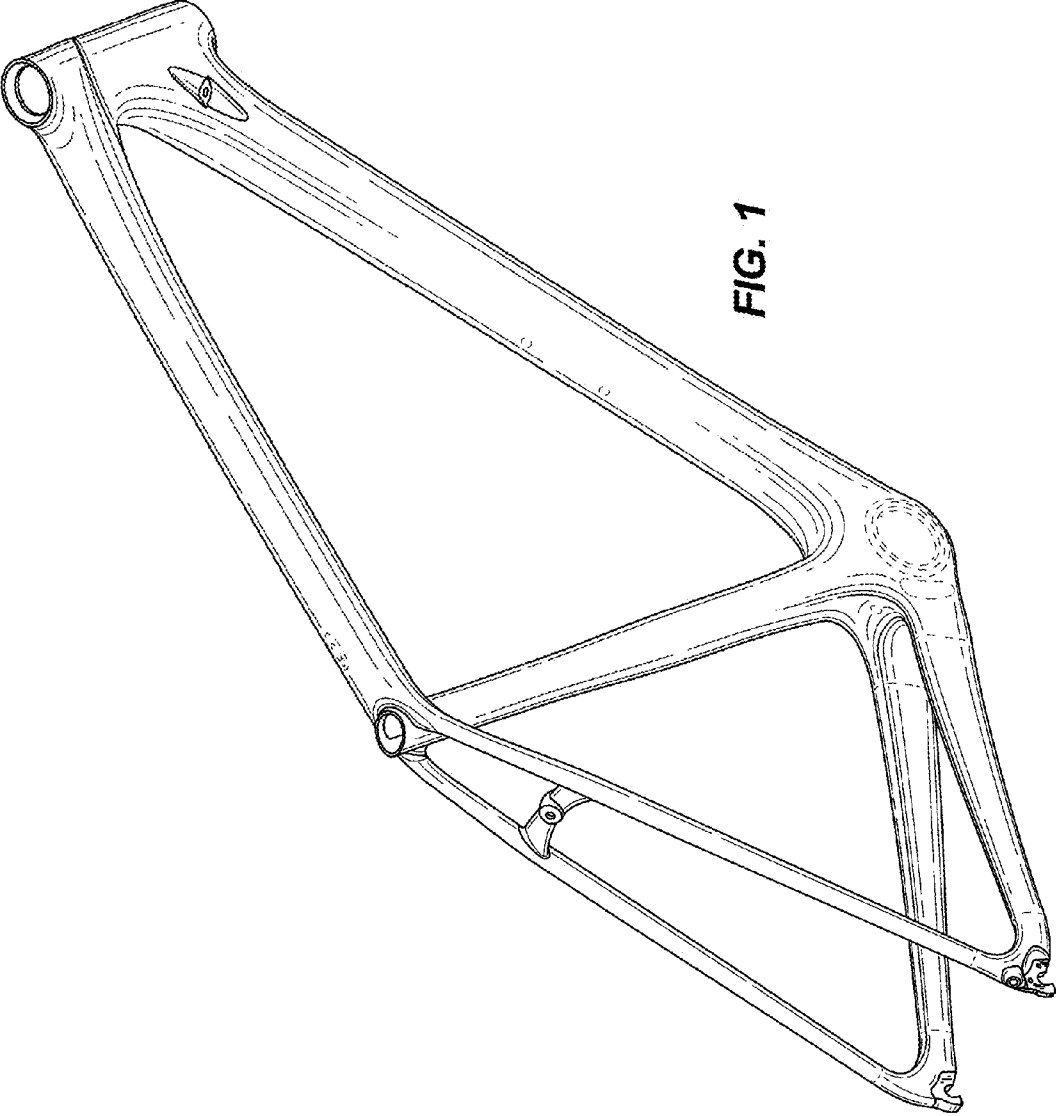


FIG. 1

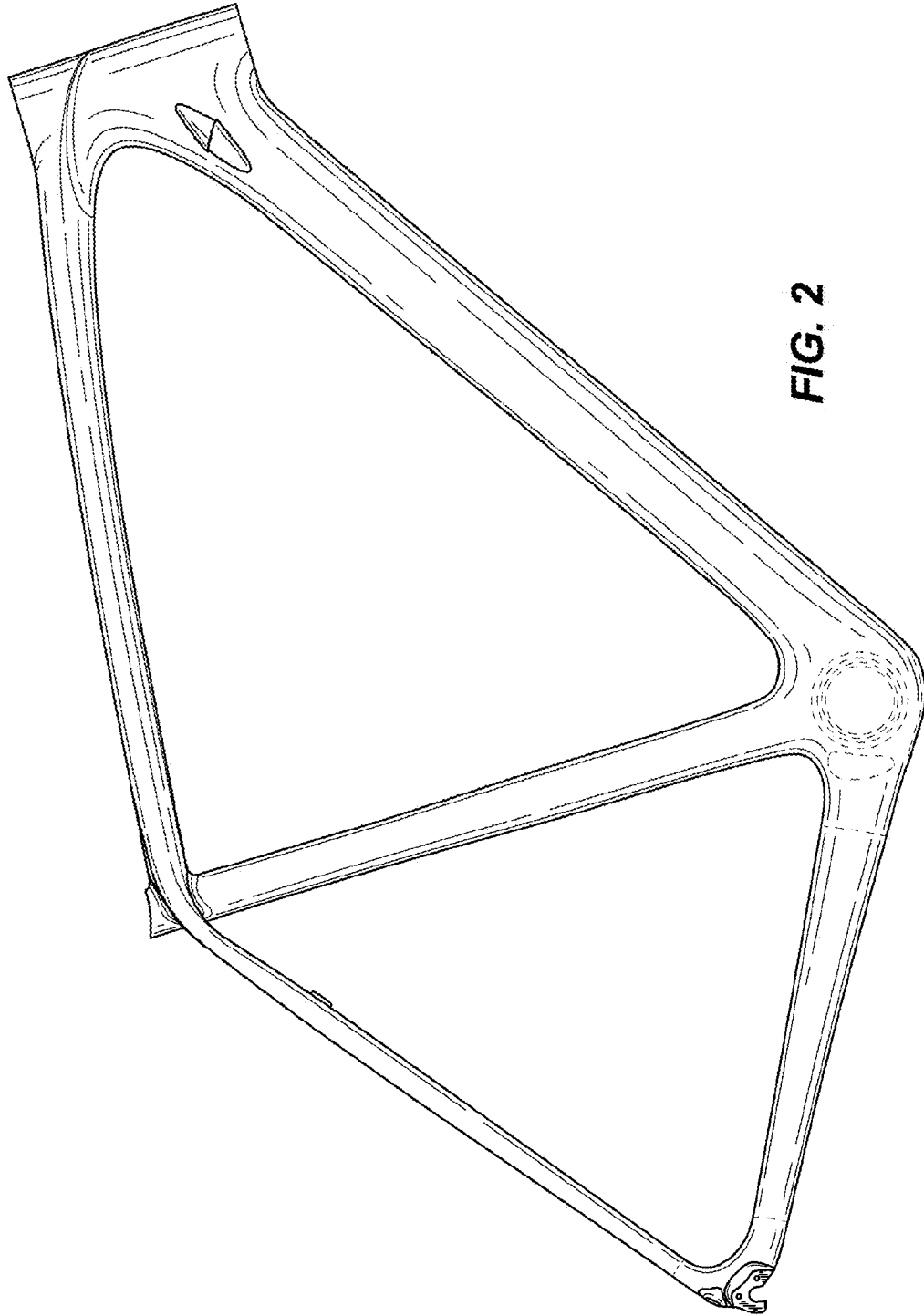


FIG. 2

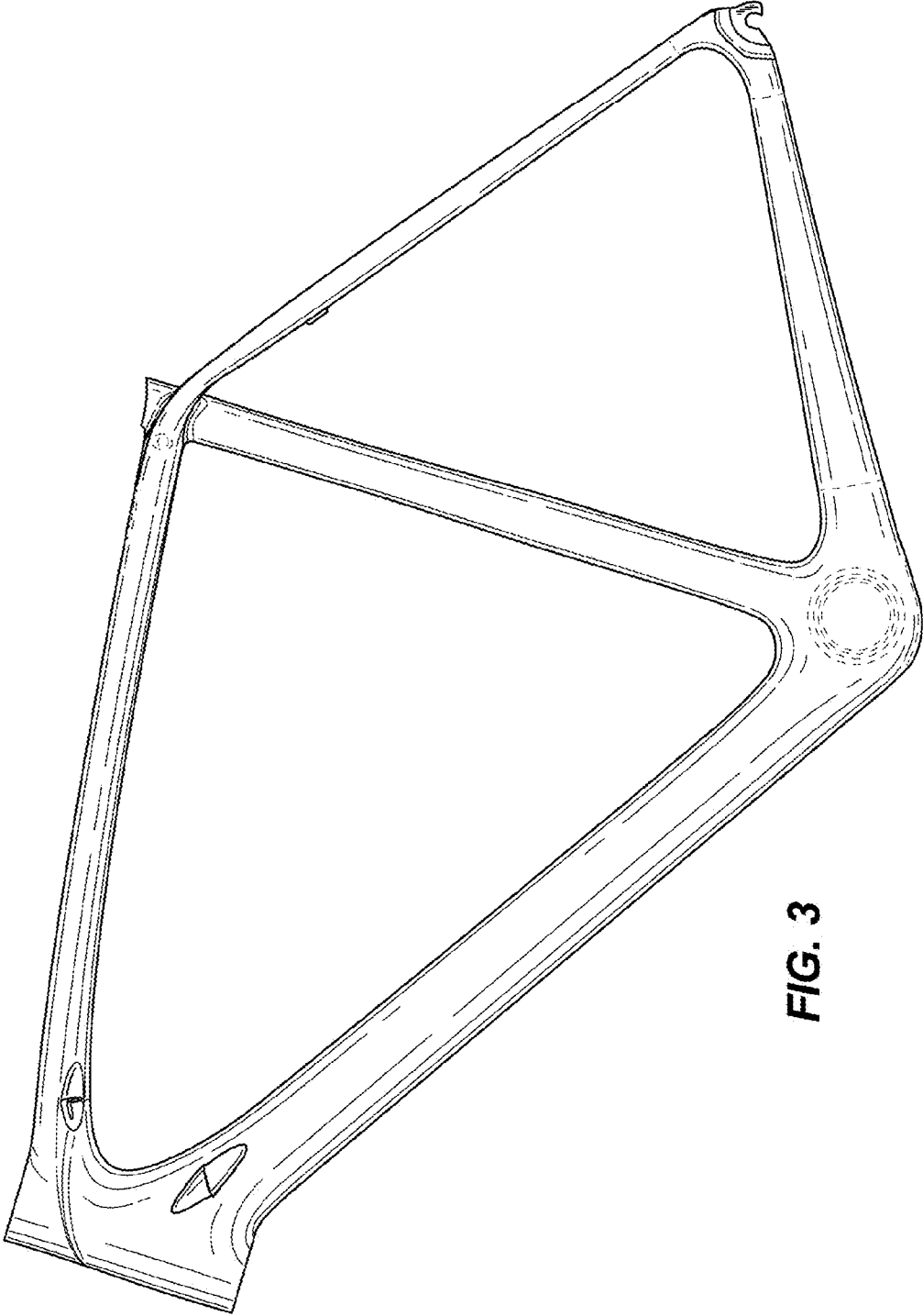
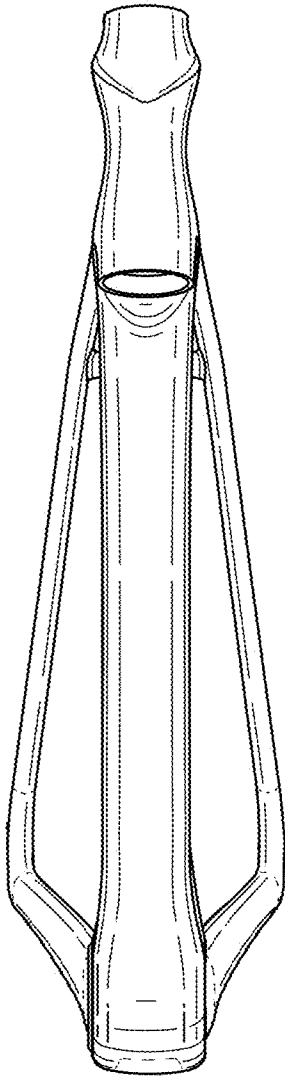
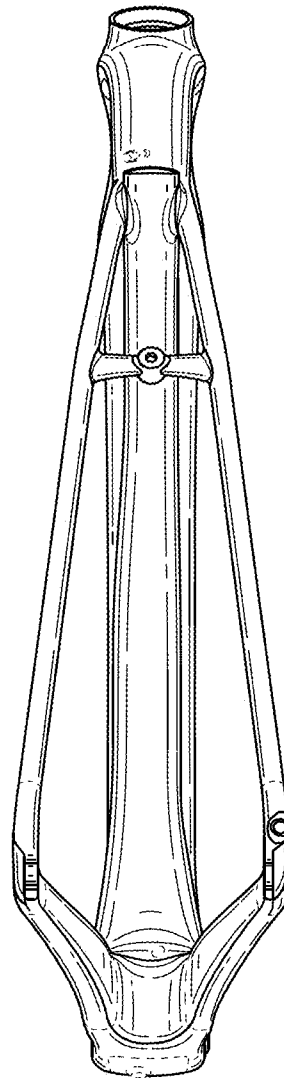


FIG. 3



**FIG. 4**



**FIG. 5**

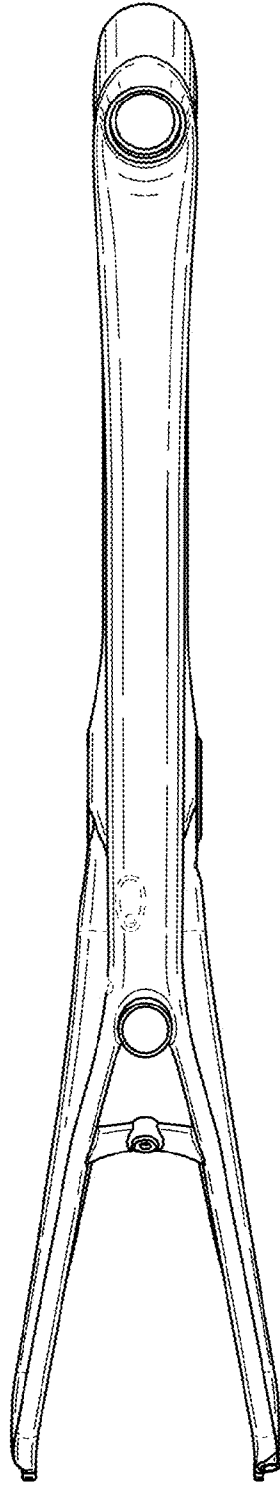


FIG. 6

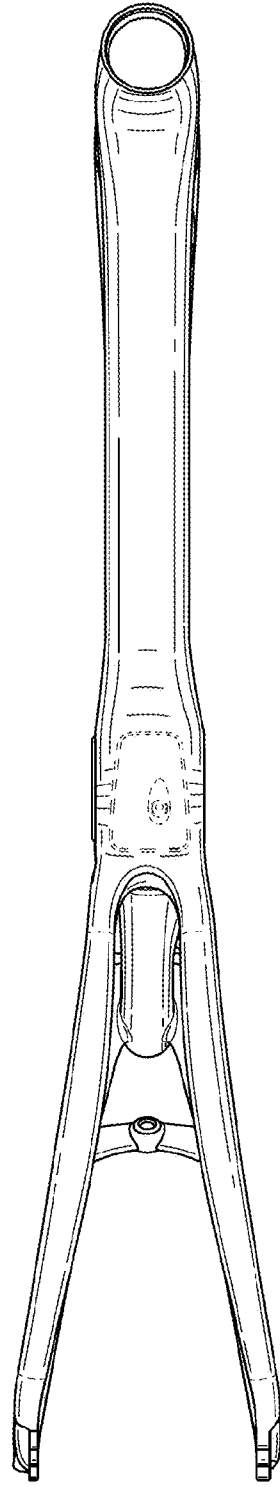


FIG. 7

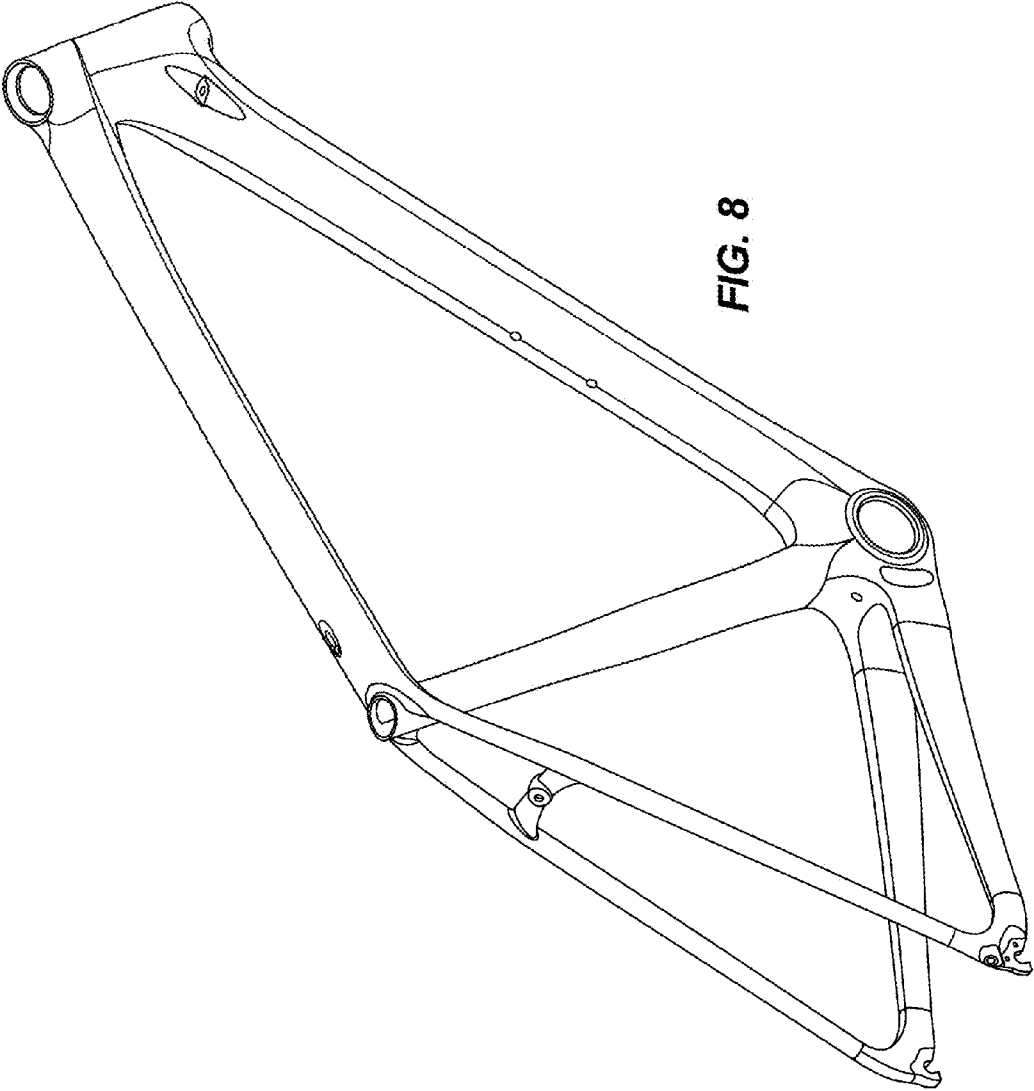


FIG. 8



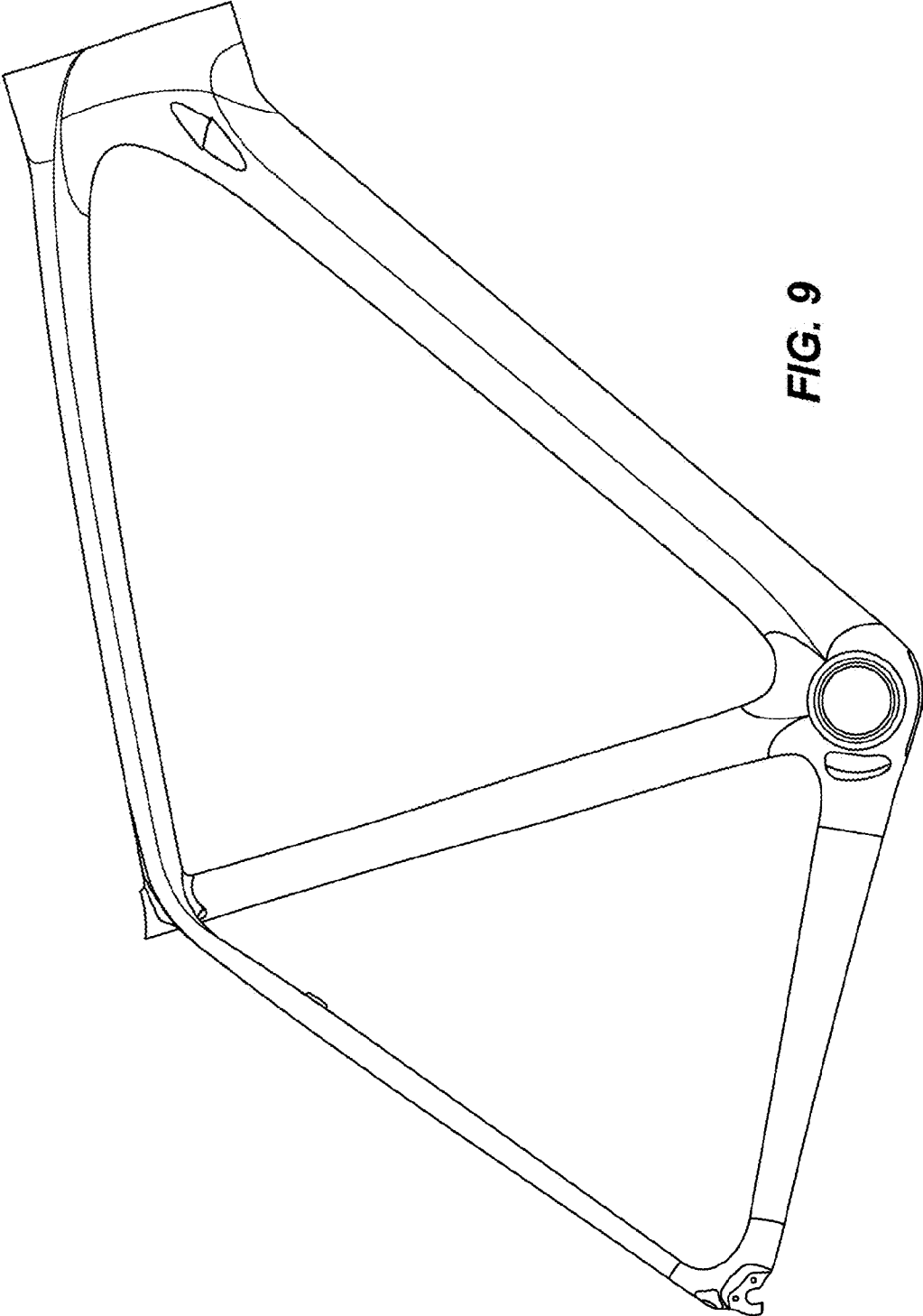
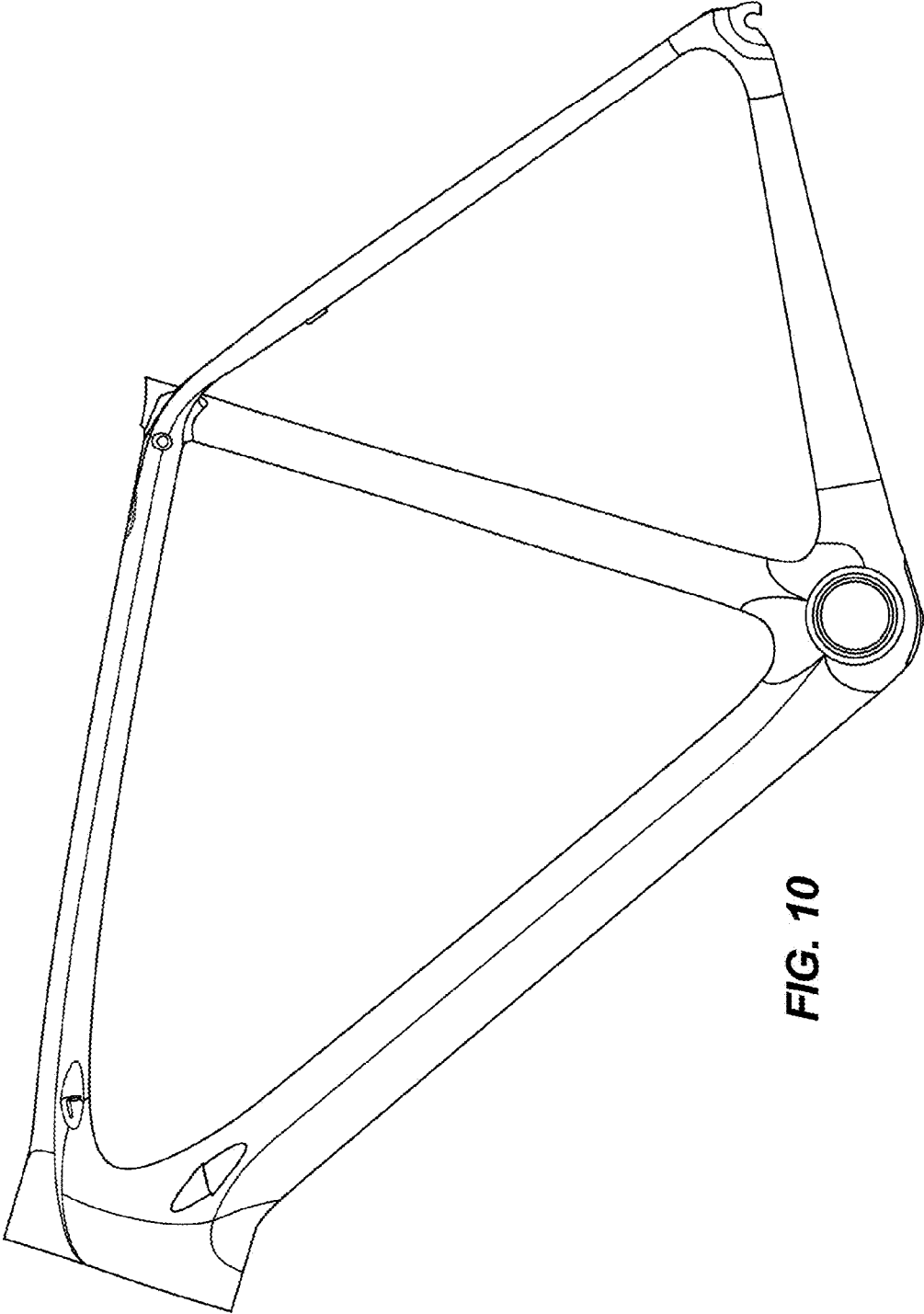
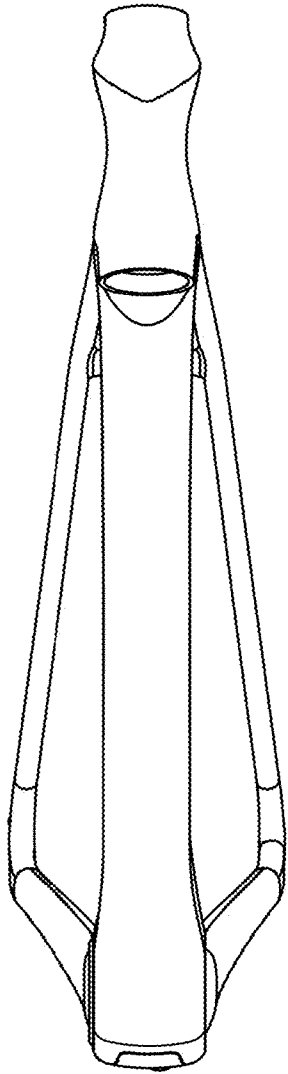


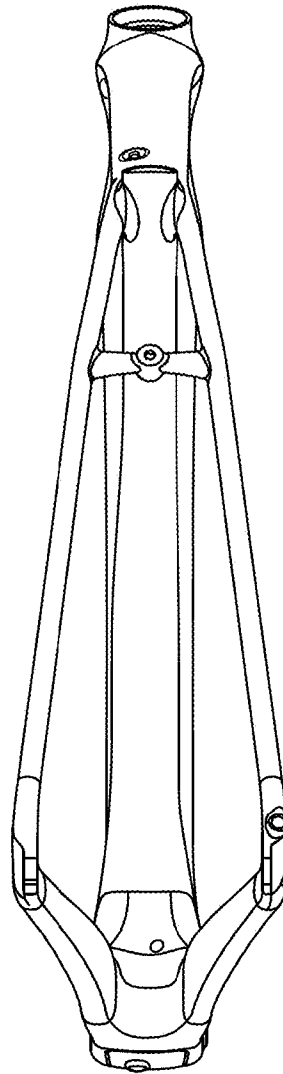
FIG. 9



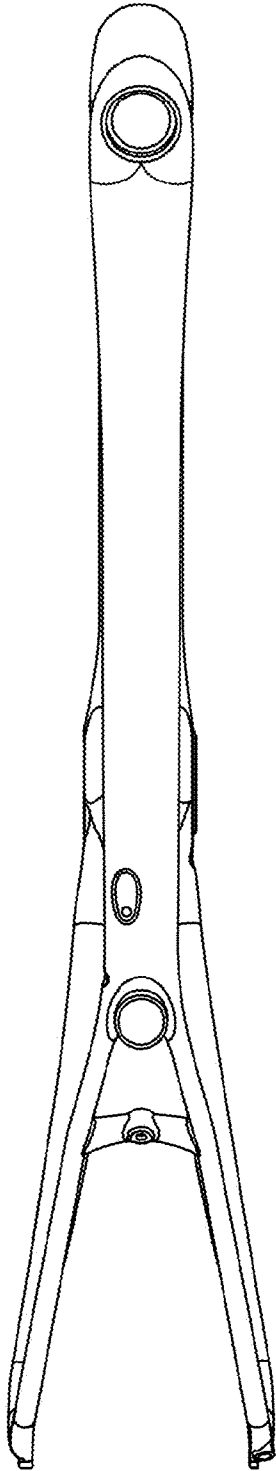
**FIG. 10**



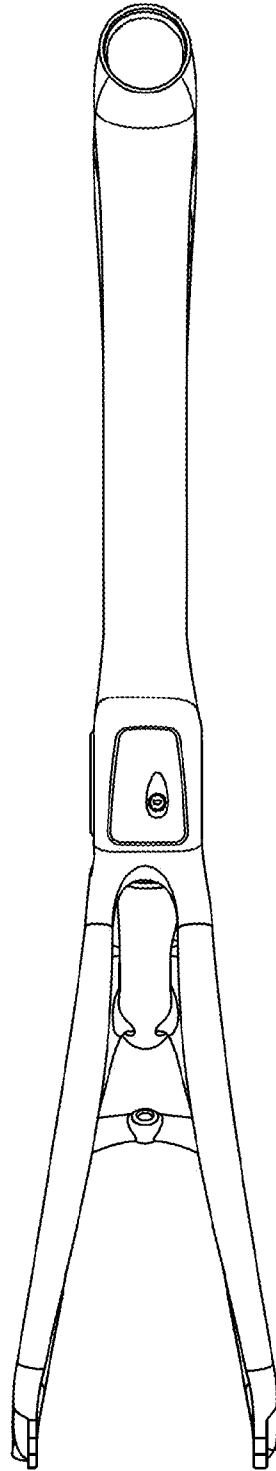
**FIG. 11**



**FIG. 12**



**FIG. 13**



**FIG. 14**