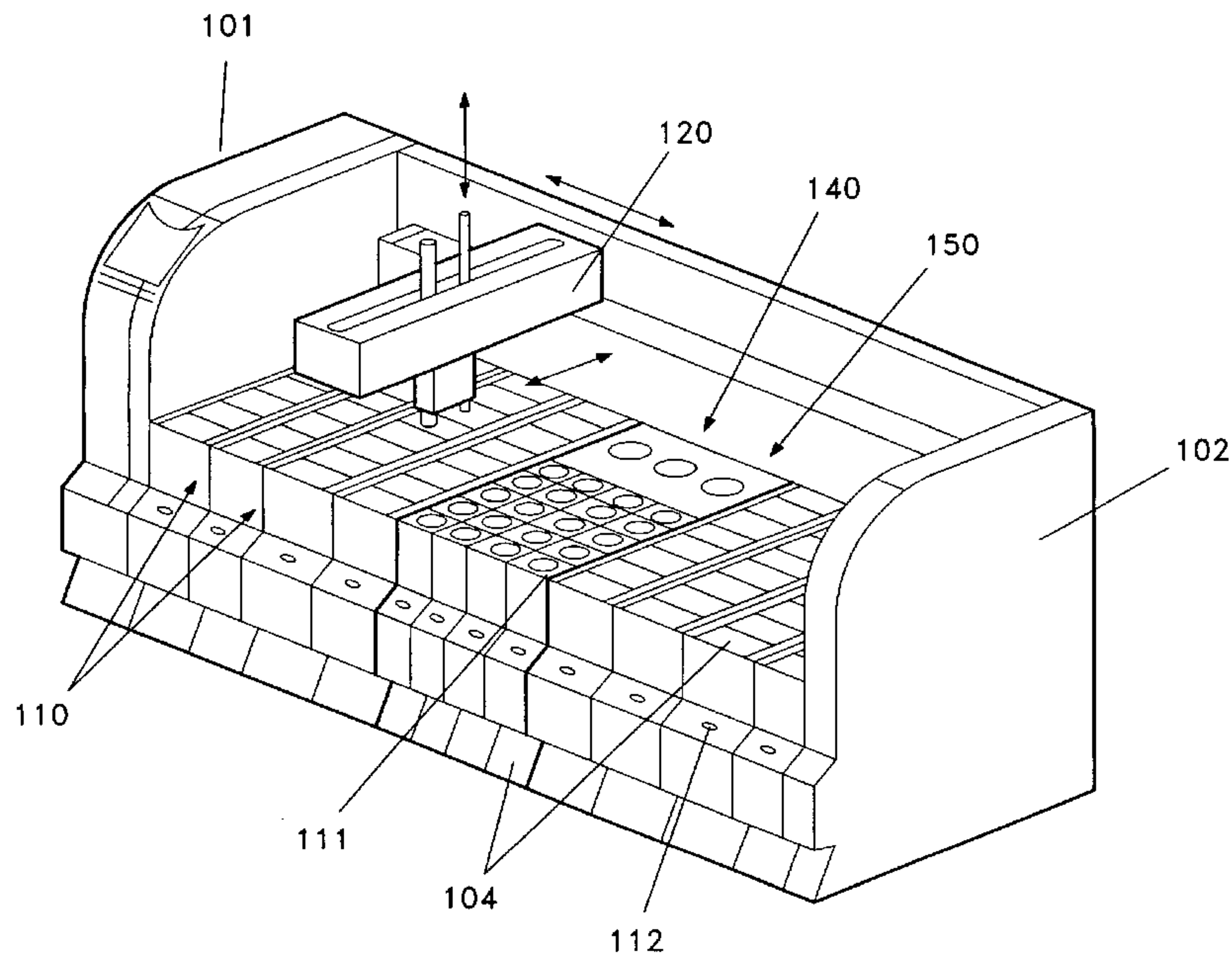




(86) Date de dépôt PCT/PCT Filing Date: 2003/12/19  
 (87) Date publication PCT/PCT Publication Date: 2004/07/15  
 (85) Entrée phase nationale/National Entry: 2005/05/31  
 (86) N° demande PCT/PCT Application No.: US 2003/040591  
 (87) N° publication PCT/PCT Publication No.: 2004/058404  
 (30) Priorité/Priority: 2002/12/20 (60/435,601) US

(51) Cl.Int.<sup>7</sup>/Int.Cl.<sup>7</sup> G01N 21/00, G01N 33/48, G01N 1/30  
 (71) Demandeur/Applicant:  
 DAKOCYTOMATION DENMARK A/S, DK  
 (72) Inventeurs/Inventors:  
 KEY, MARC, US;  
 FEINGOLD, GORDON, US;  
 WELCHER, ROSANNE, US  
 (74) Agent: FETHERSTONHAUGH & CO.

(54) Titre : SYSTEME DE TRAITEMENT D'ECHANTILLONS A ORDONNANCEMENT AMELIORE ET PROCEDES DE  
 TRAITEMENT DE TRANCHES BIOLOGIQUES  
 (54) Title: ENHANCED SCHEDULING SAMPLE PROCESSING SYSTEM AND METHODS OF BIOLOGICAL SLIDE  
 PROCESSING



(57) Abrégé/Abstract:

A sample processing system (101) that may be automated and methods are disclosed where sample(s) (198) are arranged on a carrier element (197) and a process operation control system (171) automatically processes the sample(s) perhaps robotically according to an desired aggregation of event dictated by an input (173). Alteration of an initial aggregated event topology may be accepted while the system is processing an initial aggregation and varied-parameter robotic control simulation functionalities (606) may be accomplished to determine an enhanced sequence for processing. Suggested operator actions may be displayed that might further enhance the scheduling of the altered aggregated event topology together with an automatic operator need prompt (608) that may inform an operator of a need for a particular action in order to accomplish the desired tasks. Reversibility to proposed changes may be made available so that an operator may avoid having to activate proposed changes if they cause a processing result that is not acceptable.

## (12) INTERNATIONAL APPLICATION PUBLISHED UNDER THE PATENT COOPERATION TREATY (PCT)

(19) World Intellectual Property  
Organization  
International Bureau



(43) International Publication Date  
15 July 2004 (15.07.2004)

PCT

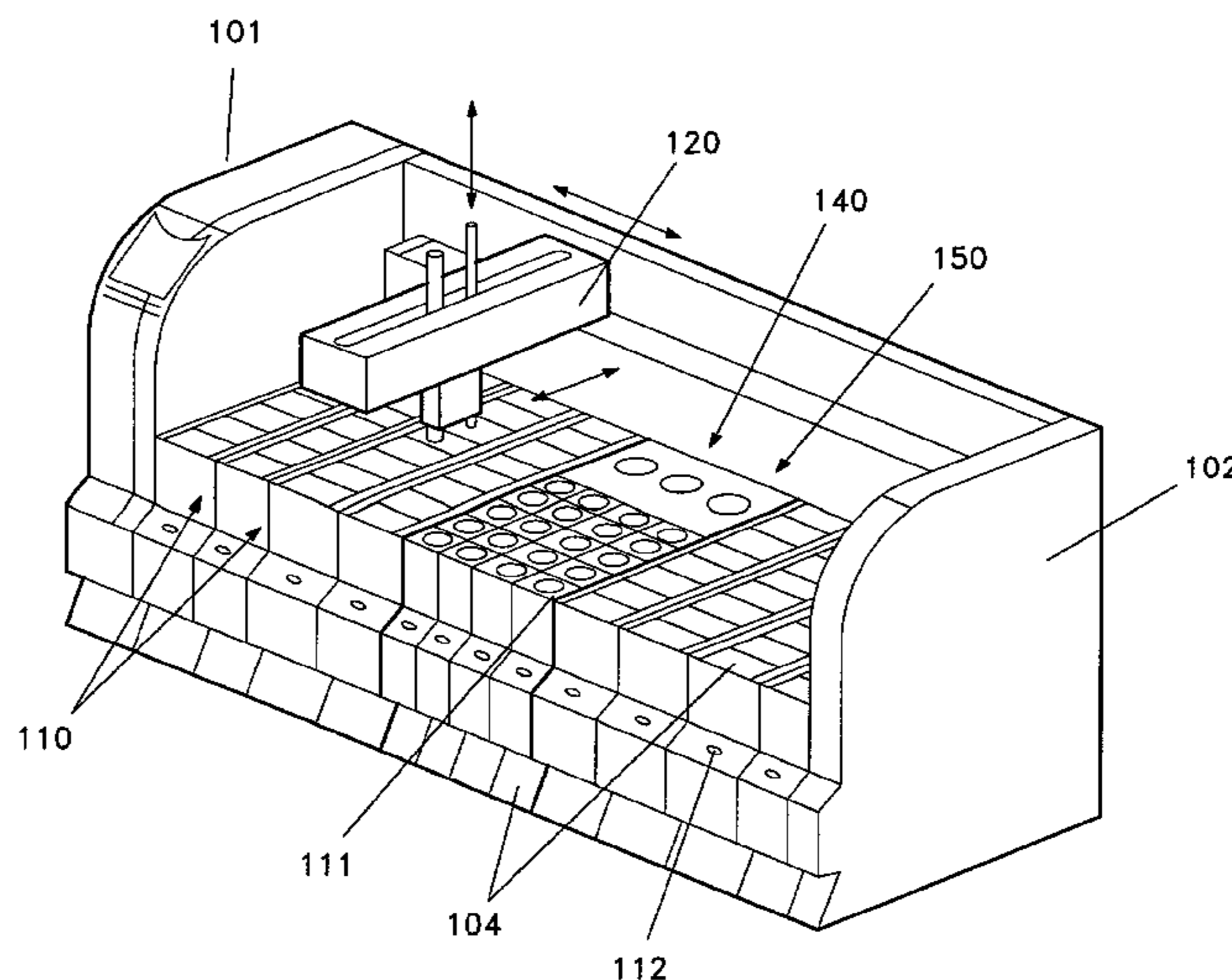
(10) International Publication Number  
**WO 2004/058404 A3**

- (51) International Patent Classification<sup>7</sup>: **G01N 21/00**, 1/30, 33/48
- (21) International Application Number: PCT/US2003/040591
- (22) International Filing Date: 19 December 2003 (19.12.2003)
- (25) Filing Language: English
- (26) Publication Language: English
- (30) Priority Data: 60/435,601 20 December 2002 (20.12.2002) US
- (71) Applicant (for all designated States except US): **DAKOCYTOMATION DENMARK A/S** [DK/DK]; Produktionsvej 42, DK-2600 Glostrup (DK).
- (72) Inventors; and
- (75) Inventors/Applicants (for US only): **KEY, Marc** [US/US]; 290 Saddle Lane, Ojai, CA 93023 (US). **FEINGOLD, G** [US/US]; 5242, Austin Road, Santa Barbara, CA 93111 (US). **WELCHER, Rosanne** [US/US]; 1175 Church Street, Ventura, CA 93001 (US).
- (74) Agent: **SANTANGELO, Luke**; Santangelo Law Offices, P.C., Third floor, 125 South Howes, Fort Collins, CO 80521 (US).
- (81) Designated States (*national*): AE, AG, AL, AM, AT, AU, AZ, BA, BB, BG, BR, BW, BY, BZ, CA, CH, CN, CO, CR, CU, CZ, DE, DK, DM, DZ, EC, EE, EG, ES, FI, GB, GD, GE, GH, GM, HR, HU, ID, IL, IN, IS, JP, KE, KG, KP, KR, KZ, LC, LK, LR, LS, LT, LU, LV, MA, MD, MG, MK, MN, MW, MX, MZ, NI, NO, NZ, OM, PG, PH, PL, PT, RO, RU, SC, SD, SE, SG, SK, SL, SY, TJ, TM, TN, TR, TT, TZ, UA, UG, US, UZ, VC, VN, YU, ZA, ZM, ZW.
- (84) Designated States (*regional*): ARIPO patent (BW, GH, GM, KE, LS, MW, MZ, SD, SL, SZ, TZ, UG, ZM, ZW), Eurasian patent (AM, AZ, BY, KG, KZ, MD, RU, TJ, TM), European patent (AT, BE, BG, CH, CY, CZ, DE, DK, EE, ES, FI, FR, GB, GR, HU, IE, IT, LU, MC, NL, PT, RO, SE, SI, SK, TR), OAPI patent (BF, BJ, CF, CG, CI, CM, GA, GN, GQ, GW, ML, MR, NE, SN, TD, TG).

**Published:**  
— with international search report

[Continued on next page]

(54) Title: ENHANCED SCHEDULING SAMPLE PROCESSING SYSTEM AND METHODS OF BIOLOGICAL SLIDE PROCESSING



(57) Abstract: A sample processing system (101) that may be automated and methods are disclosed where sample(s) (198) are arranged on a carrier element (197) and a process operation control system (171) automatically processes the sample(s) perhaps robotically according to an desired aggregation of event dictated by an input (173). Alteration of an initial aggregated event topology may be accepted while the system is processing an initial aggregation and varied-parameter robotic control simulation functionalities (606) may be accomplished to determine an enhanced sequence for processing. Suggested operator actions may be displayed that might further enhance the scheduling of the altered aggregated event topology together with an automatic operator need prompt (608) that may inform an operator of a need for a particular action in order to accomplish the desired tasks. Reversibility to proposed changes may be made available so that an operator may avoid having to activate proposed changes if they cause a processing result that is not acceptable.

WO 2004/058404 A3

**WO 2004/058404 A3**



— *before the expiration of the time limit for amending the claims and to be republished in the event of receipt of amendments*

*For two-letter codes and other abbreviations, refer to the "Guidance Notes on Codes and Abbreviations" appearing at the beginning of each regular issue of the PCT Gazette.*

**(88) Date of publication of the international search report:**  
10 September 2004

**ENHANCED SCHEDULING SAMPLE PROCESSING  
SYSTEM AND METHODS OF BIOLOGICAL SLIDE PROCESSING**

TECHNICAL FIELD

5

This application relates to the field of sample processing systems and methods of scheduling an aggregate of events for the processing of samples or the process system. The present invention may be directed to the automated processing, treatment, or even staining of samples arranged on carriers, such as slides, and in some embodiments, directed to the continuous or batch processing of samples and carriers. Embodiments may further relate to control systems for sample processing and data input, acquisition, maintenance, and retrieval for sample processing. Applications to which the present invention may especially relate include immunohistochemistry, in-situ hybridization, fluorescent in-situ hybridization, special staining, and cytology, as well as potentially other chemical and biological applications.

BACKGROUND

Sample processing in immunohistochemical (IHC) applications and in other chemical and biological analyses may require one or a number of various processing sequences or protocols as part of an analysis of one or more samples. The sample processing sequences or protocols may be defined by the individual or organization requesting an analysis, such as a pathologist or histologist of a hospital, and may be further defined by the dictates of a particular analysis to be performed.

25

In preparation for sample analysis, a biological sample may be acquired by known sample acquisition techniques and may comprise, for example in IHC applications, tissues generally or even in some applications one or a plurality of isolated cells, such as in microarray samples, and may be presented on a sample carrier including but not limited to microscope slides. Furthermore, the sample may be presented on the carrier variously and potentially in some form of preservation. As one example, a sample such as a layer or slice of skin may be preserved in formaldehyde and presented on a carrier with one or more paraffin or other chemical layers infiltrating the sample.

Immunologic applications, for example, may require processing sequences or protocols that comprise steps such as deparaffinization, target retrieval, reagent application, and staining, especially for in-situ hybridization (ISH) techniques. In some applications, these steps may have been performed manually, potentially creating a time-intensive protocol and necessitating personnel to be actively involved in the sample processing. Even when performed automatically, there have been inefficiencies in such systems. Attempts have been made to automate sample processing to address the need for expedient sample processing and a less manually burdensome operation. However, such previous efforts may have not fully addressed certain specific needs for an automated sample processing system. Previous efforts to automate sample processing may be deficient in several aspects that prevent more robust automated sample processing, such as: the lack of sufficient computer control and monitoring of sample processing; the lack of information sharing for processing protocol and processing status, especially for individual samples; the lack of practical information input and process definition entry capabilities; the lack of diagnostic capabilities; and the lack of real-time or adaptive capabilities for multiple sample batch processing.

Past efforts at automated sample processing for samples presented on carriers such as slides, such as US Patent No. 6352861 to Ventana Medical Systems, Inc. and US Patent No. 5839091 to LabVision Corporation, have not afforded the various advantages and other combinations of features as presented herein.

One of the various aspects that may be significant to users of automated process systems is that of allowing changes to the processing while it is ongoing. In this regard, it has often been considered that operators have to allow existing sequences to finish before inserting or changing the aggregate in some manner. In addition, operators often have needed particular knowledge and skills in order to assure the integrity of the process or instrument or result. The present invention seeks to reduce such effects to some degree and seeks to provide a system that may be considered more user, operator, supplier, or manufacturer friendly and may be adaptable to real-world conditions and events.

#### DISCLOSURE OF INVENTION

The present invention presents an automated sample processing system that may greatly improve operation of automated sample processing from several perspectives. It

may act to accept changes to the system while operating and may automatically adapt to a change in the aggregate events originally scheduled. It also may provide a better approach to just how such scheduling may occur as well as providing a user opportunities to undo a change such as when its effect is undesirable. The system may also provide for  
5 automatic suggestions to permit an operator to more optimally enhance the schedules on which events occur. As described, sample processing can be accomplished as disclosed herein. In providing this disclosure, it should be understood that the various examples and designs disclosed for sample processing and other disclosed techniques, are not meant to limit the present invention to any particular embodiment, whether apparatus,  
10 method, or otherwise. These descriptions are provided rather to describe various sample processing techniques in a manner in which the present invention can be understood. The descriptions incorporated by reference and the various examples should not be construed to limit the present invention to only such techniques. This disclosure, however, may be understood to incorporate the various techniques in the context of the various  
15 embodiments of the present invention.

The techniques and systems of sample processing are addressed in a fashion that may provide the processing of one or more samples or of a plurality of groups of one or more samples in sequential or non-sequential fashion. Processing of samples may be  
20 determined by the protocol to be followed for each sample or a protocol for multiple samples. Aspects of the present invention may be especially applicable to sample processing having one or a plurality of processing steps to be performed on one, a portion, or an entirety of samples, such protocols identified in some instances by individual carriers presenting the samples or by the individual samples themselves. As  
25 mentioned, the present invention may be especially applicable to immunohistochemistry (IHC) techniques, as well as in-situ hybridization (ISH) and fluorescent in-situ hybridization (FISH), special staining of samples, and microarrays; especially techniques incorporating target retrieval or the staining of samples. Furthermore, embodiments may be directed to processing sequences addressing issues of processing control.

30

Embodiments of the invention may further relate to automated control systems for sample processing. Embodiments may also be directed to data acquisition, input, maintenance, and retrieval for sample processing, as well as information sharing of processing protocol and processing information, and real-time or adaptive capabilities for  
35 processing.

To disclose the foregoing and other objects and in accordance with the purposes of the present invention, as broadly embodied and described herein, the present invention is characterized in various claims and in explanatory disclosure. None of these should be understood as limiting. Further, all claims presented at any time are incorporated in the specification to afford all opportunities of presentation. Claims potentially to be pursued for some of the initially presented aspects of the invention may include any aspects described.

To achieve the foregoing and other objects of invention, and as may be further disclosed and claimed throughout this description, the invention may comprise an automated sample processing system comprising a plurality of drawers, a plurality of sample carrier elements that may even be each removably configured with one of the drawers, and an adaptive or other sample processing control system. The sample carriers may be both movable and removable. The sample processing control system may automate the sample processing system such that one or more samples may be processed according to one or more protocols, potentially indicated by information on slides or otherwise input to the system. This sample processing may comprise one or more sampling protocols and steps, such as deparaffinization, target retrieval, and staining.

A sensor may be provided in some embodiments that may automatically identify information from one or more samples, sample carriers, or slides. In embodiments, protocol information may be provided or made available by the sample processing control system. The sample processing system may then process one or more samples or perhaps slides, or one or more batches of slides, concurrently, sequentially, or in any other temporal fashion, potentially in accordance with protocol information previously provided for a sample by a user or other decision maker. This information can then be made available for use by the sample processing control system. Sample batches or individual slides may even be inserted or removed during processing protocol steps by the control and monitoring accomplished by the adaptive sample processing control system.

Another embodiment of the present invention that may achieve the foregoing and other objects of invention may comprise a method of sample processing, comprising the steps of: accessing at least one of a plurality of samples or sample drawers, providing at least one sample carrier or perhaps a sample carrier retainment assembly configured with

at least one sample, configuring at least one of the drawers with the at least one sample carrier, and adaptively processing the sample. The step of processing or perhaps even adaptive processing may be applied to automate the processing of samples and may allow for either or both continuous or batch processing of samples or slides. It may also afford  
5 multiple independent sample or slide processing and in some embodiments slide processing to process each slide independently.

Embodiments of the invention may further comprise a method of automated sample processing, comprising the steps of: acquiring or accepting or accessing  
10 information such as protocol or reagent information, transmitting such information to at least one sample processing system or even a stand alone processing system, and processing samples. Furthermore, embodiments may provide: for handling, maintaining, sharing, and using the sample processing information. These and other aspects may be provided for individual samples or multiple batch processing, and in a real-time manner.  
15 It may also be accomplished in and adaptive manner, perhaps for multiple batch processing or the like.

Again, as mentioned, many of the various aspects of the present invention are applicable to immunohistochemistry (IHC), as well as in-situ hybridization (ISH) and  
20 fluorescent in-situ hybridization (FISH), special staining of samples, microarray processes, and techniques incorporating target retrieval or the staining of samples. Furthermore, embodiments are directed to processing sequences addressing issues of processing control, and may be particularly applied to slide processing systems.

## 25 BRIEF DESCRIPTION OF THE DRAWINGS

The accompanying figures, are incorporated in and form a part of the description, illustrate some of the preferred embodiments of the present invention. Together with the written description and disclosures of the specification, they serve to explain principles of  
30 the invention and to enable each of the disclosed embodiments.

Figure 1 is a depiction of an embodiment of an overall system incorporating some of the features of the invention.

Figure 2 is a depiction of an embodiment of a portion of a sample carrier assembly of one embodiment of the invention.



Figure 3 is a depiction of an embodiment of a robotic movement aspect of one embodiment of the invention.

Figure 4 is a flow chart of some representative process steps of an embodiment of the invention.

5 Figure 5 is a block diagram of an embodiment of the invention.

Figure 6 is a depiction of an embodiment of a device incorporating some of the features of the invention.

Figure 7 is a depiction of an embodiment connecting one stainer with one manager & server and one label printer.

10 Figure 8 is a depiction of an embodiment connecting multiple stainers with multiple managers and multiple label printers.

Figure 9 is a depiction of an embodiment connecting a system to a lab network and lab information system.

Figure 10 is a block diagram showing some of the internal software features.

15 Figure 11 is a description of representative deparaffinization steps of an embodiment of the invention.

#### BEST MODES FOR CARRYING OUT THE INVENTION

20 The following descriptions are provided to describe various embodiments of the present invention in a manner to facilitate a more detailed understanding some of the inventive features. The variously described examples and preferred embodiments should not be construed to limit the present invention to only the explicitly described systems, techniques, and applications. This description may further be understood to incorporate  
25 the various systems, techniques, and applications, both singularly and in various combinations consistent with the various inventive features and embodiments of the present invention. Accordingly, the following is a detailed description of a number of specific embodiments of the invention.

30 Figure 1 shows one embodiment of a sample processing system 101 in accordance with the present invention. The sample processing system 101 is configured to achieve an appropriate sequence of events that achieves a desired result to some degree. In achieving this sequence in an automated fashion to some degree the sample processing system is deemed an automated sample processing system and achieves automatic  
35 processing of at least one sample. This automated sequence as well as other aspects of

the invention may be controlled by hardware, software, or some combination of them to accomplish a desired sequence with limited human intervention. Regardless how achieved, the automated control may be provided by a process operation control system 171 to direct the various activities. As shown in figure 10, this (as well as other 5 functionalities discussed) may be software programming or subroutines; again, it may also include hardware or the like. The sample 198 processed may be any material, but is most likely a biologic material such as a biological sample or a biological specimen, perhaps such as a histological sample, e.g. tissue and cell specimens, cells, collections of cells, or tissue samples, the definition to include cell lines, proteins and synthetic 10 peptides, tissues, cell preps, cell preparations, blood, bodily fluids, bone marrow, cytology specimens, blood smears, thin-layer preparations, and micro arrays. It should also be understood to include slide-based biological samples. As used, a sample may be arranged on a carrier element 197 such as a slide, or microscope slide, or the like that may maintain the sample's position or integrity. The carrier element 197 may be configured to 15 move and thus reposition the sample 198. As such, it may be considered a movable carrier element. In processing a slide, the automated sample processing system may serve as an automated slide processing system.

The automated sequence may involve a significant number of steps. In fact each process 20 can itself require many automated movements to achieve its goal. Each of these type of operations or actions may be relevant to understanding an instrument's operation. Further, each of these types of operations or even a lesser set of significant events may be considered important details of the sample process operation. As explained later, it may be valuable to capture information relative to a significant number of these actions such 25 as all of these operations, some subset of these operations, one-half of these operations, one-third of these operations, or the like. Further, even the nature or type of the events that may be of interest may be varied. In general, any event that may indicate the propriety of operation or processing may be a subject. Naturally in order to achieve automated processing it will be necessary to schedule the various sample process or 30 process operations desired. This can be achieved by an item of software or the like that acts as a multiple event scheduler 401.

A particular design of a system may include cabinet sections 102 that may form outer portions of the system and serve to address general structural considerations of the 35 system (a top cabinet section is not shown in Figure 1). The sample processing system

may also comprise a plurality of drawers 104 used for the handling and processing of samples and sample carriers such as slides, potentially microscope slides. Other sample carriers may be accommodated consistent with the present invention. Each drawer may be configured to accommodate carrier retainment assemblies that hold one or, most likely,  
5 a number of the particular carriers, slides, or samples involved.

In holding slides the carrier retainment assembly serves as a slide retainment assembly 106. There may also be carrier racks, modules, or magazines encompassed within each of the two broad terms. As one embodiment of a sample carrier retainment  
10 assembly, a slide retainment assembly 106 is shown in Figure 2. The slide retainment assembly, and indeed the generic carrier retainment assembly may comprise a slide rack, module, or a number of magazines. The slide retainment assembly 106 may be configured to accommodate a plurality of slides in at least one configuration in corresponding sample carrier retention devices 108. The sample carrier retainment  
15 assemblies, are utilized in the processing of samples as further described below. It should be further noted that the sample carrier retainment assembly can be removably configured with the drawers 104, and may be stackable or nested within other retainment assemblies.

The general sample processing system 101, and even one or more drawers 110 in  
20 the sample processing system 101 may accommodate processing materials such as reagent containers 199 for sample processing, also further described below. A processing material retainment assembly, such as a container rack 111, shown in Figure 1, may be utilized to accommodate reagent containers 199 or other processing materials within each of drawers 110. These drawers may be lockable through programming to prevent access  
25 during certain stages of automatic operation. Bottle inserts may be preferably configured with the retainment assembly to ensure proper processing material positioning within the processing material retainment assembly and the drawer.

Multiple drawers 104 may be included to allow for one or a plurality of sample  
30 processing protocols to be performed by the system 101. Past efforts at sample processing, as previously described, may have been limited to processing sequences for an entire batch of carriers within the system. The present invention, however, in part by providing a plurality of drawers and carrier retainment assemblies, may allow for individual, batch, or multiple batch processing, including real-time or adaptive  
35 capabilities, as further described below.

Indicator elements 112 may be provided to indicate a status and accessibility of the drawers and the carriers or materials within each drawer for an operator of the system. In one embodiment, visual indicators, such as light emitting diodes in preferred 5 embodiments, may be used to indicate if a drawer is available, and perhaps unlocked, during operation of the sample processing system, and may indicate conditions such as a locked or open condition of a corresponding drawer, carrier capacity status of the drawer or of a carrier retainment assembly within the drawer, and chemical inventory status of the sample processing system, such as reagent loading status or capacity. A warning 10 indication may be given by these or other indicator elements, as well as other indicative signals. One or a plurality of sensors may be utilized to determine the status of the drawer as indicated by the indicator elements 112 and to further provide processing status as further described below. Thus the system may provide at least one substance in a lockable reagent retainment assembly. Interestingly, the lockable reagent retainment 15 assembly may be established as being generally in an unlocked state, perhaps the majority of the time the system is operating, the lockable reagent retainment assembly may be unlocked such that an operator may access that drawer. This may also exist a significant portion of the time the system is operating, perhaps even such as for 75% of such time. In this manner the system may be considered as providing a generally unlocked reagent 20 retainment assembly.

A processing material unit may be utilized to provide various processing material to the sample processing system 101 and to afford the hazardous and non-hazardous segregation of waste produced during sample processing and the avoidance of cross- 25 contamination. In one embodiment of the present invention, the processing material unit may be configured to accommodate one or a plurality of containers such as deparaffinization solution or other material utilized in sample processing. In some embodiments, the unit may also accommodate waste containers to provide for the collection of waste material from the sample processing. Tubing or other fluid 30 transmission elements may be connected with the containers and the sample processing system 101. Tubing or other fluid transmission elements may also be connected with the waste containers and the system 101.

In accordance with the desire for an automated processing system, embodiments 35 of the present invention may include robotic sample process functions or a robotic motion

system 172 responsive to the process operation control system 171 to achieve the desired operation steps. This may further comprise an arm 120 utilized in sample processing, potentially having robotic movement, and in some embodiments, Cartesian movement. In this manner, the system may provide an automated process operation capability that causes automated process operation events through robotic sample process functions. These may be responsive (a term intended to encompass any interaction, whether connected or not and whether directly or indirectly having an effect) to a number of perhaps stand alone devices such as stand alone stainers. The arm 120 may comprise, in some preferred embodiments, one or more elements, such as an actuator probe 122, a syringe or probe 124, a sensor element and a non-discrete or other volume fluid and/or air applicator. The actuator probe may be utilized in the configuration and manipulation of the carriers in sample processing, further described below. In some preferred embodiments, the actuator probe 122 configures and manipulates the configuration of slides in the sample carrier retention devices 108 by actuation of carrier adjustment element 130 (see for example Figure 2), and in some embodiments, by contact with the slides. As mentioned, in some embodiments, manipulation or movement of the slides or the samples may be accommodated. This movement may result in a horizontal or vertical configuration of the slides to facilitate sample processing as described below.

As mentioned above, there may be a large number of process steps accomplished. As may also be appreciated from the nature of the processes envisioned, there may be uses of many different substances or the like. Whether involving a substance or merely a physical action, these types of items may be considered as relating to operationally-influential exteriorly-consequential information. The item may be operationally-influential in that it either its operation or failure in operation may directly or indirectly influence some type of conduct. This conduct may be exteriorly-consequential in that it may be a conduct that does not take place within the process system itself but external to it. As such the present invention may provide the capability to monitor that information. This capability may even be considered as an operationally-influential exteriorly-consequential information monitor 402 as shown generally in Figure 10. Thus the present invention may include an ability to monitor information of a broad nature.

As but one example, the present invention may involve monitoring exteriorly-consequential information that is actually operationally-altered outside information in that the activity conducted as part of the process system's operation actually causes a change

in the information. But one example of this might be using up a particular stain substance. By monitoring this category of information, the present invention may be considered as monitoring operationally-altered outside information. This embodiment may thus be considered as including an operationally-altered outside information monitor.

5 Of course, these events may be influenced at least in part by at least some of the robotic sample process functions.

As previously mentioned, arm 120 may comprise syringe 124. The syringe 124 may be considered a probe in some embodiments, depending upon the requirements of protocols to be performed. Syringe 124 may be fluidically connected with and may apply one or more of the following: rinse agents, such as water; containers, potentially removably fluidically connected for the aspiration of reagents, such as aspiration of reagents from containers and to the samples presented with the carriers; and blow off or other removal agents such as an air source. Syringe 124 may be utilized to pierce processing material containers such as reagent containers. In some embodiments, a reservoir may be provided with the arm 120 to allow for various volumes to be aspirated by syringe 124. The unique configuration of the reservoir allows for efficient cleaning and drying of the internal portions of the syringe while allowing for the accurate pipetting or otherwise aspiration of a wide range of volumes.

20

Arm 120 may, in some preferred embodiments, comprise a sensor element. The sensor element may be used to automatically determine location and other status information of components of the sample processing system, such as reagent containers, or other processing material containers, or sample carriers. This may be used to teach the system proper and/or actual locations, and to calibrate, self-calibrate, or self-align the system, or the like.

25

In preferred embodiments, the sample processing system 101 may include an automatic slide identification element. This may be controlled to achieve the act of automatically identifying a plurality of slides. This may also be more generic such as there may be some type of sensor element and it may even comprise a reader or scanner, such as a CCD camera, utilized to determine status information of processing materials, such as reagents as well as to identify slides. The sensor element, for example, may read, detect, or otherwise determine information in the sample processing system 101, for example, from processing material containers, such as, for example, reading coded or

35

perhaps encrypted information provided on the container to determine reagent type and reagent location within the system. The sensor element may also determine status information of sample carriers. For example, in some embodiments, slides configured with a slide retainment assembly may be provided with informational indicia, such as a  
5 code, that may indicate information about the sample presented on the slide or the processing protocol to be performed. The sensor element may read the code of the slide to determine the protocol to be performed for the particular slide and sample.

A cleaning station 140, shown in Figure 1, may be included to clean elements of  
10 arm 120, and in preferred embodiments, may function to clean or otherwise remove completely the previously deposited reagent from the probe, or remove elements containing the internal and/or external surface of the probe and/or syringe 124. In one embodiment, the cleaning station may be configured to clean elements of arm 120, such as syringe 124, while such elements are configured with arm 120. The syringe may be  
15 cleaned, for example, with a water rinse through the syringe while the syringe is positioned at the cleaning station. In other embodiments of the present invention, the cleaning station 140 may be configured to allow a drop off and pick up of elements such as syringes for cleaning while allowing the processing throughput of the sample processing system to continue.

20

In some embodiments, multiple probes or syringes may be used to apply fluids required for the staining of histological tissues samples mounted or otherwise presented on slides. This may encompass automatic staining accomplished through a slide stain element such as the items included on the robotic motion system 172 discussed above.  
25 The sample processing system may drop off a "dirty", contaminated, or used probe or syringe and swap it for a "clean", uncontaminated, sterilized or an unused one. One or more probes or syringes may be cleaned while the system continues processing of samples, such as applying reagent or stain with an alternate probe or syringe. In addition, or alternatively, the probe used may be washed while attached to the robotic motion  
30 system.

The system may access, use and wash multiple probes or syringes for pipetting or otherwise aspirating fluids required for the staining of samples mounted or otherwise presented on slides. To eliminate cross contamination, a system with a single reusable  
35 probe may wash the probe between each fluid applied. The task of washing the probe can

have a large impact on the throughput of the overall system. The present invention may allow for multiple probes to be available to the system for use. The system may continuously have a clean, uncontaminated, sterilized, or an unused probe available to use and sample processing is not impacted by the required cleaning routine. The cleaning  
5 routine may be necessary to eliminate the possible cross contamination of fluids and, in some embodiments, may take up to about 1 minute to accomplish. The cumulative impact of the cleaning routine on a series of processing steps can add time to the throughput capabilities of the system. The addition of multiple probes or syringes may eliminate this impact and significantly decreases the time required to process the samples.

10

Embodiments of the present invention may comprise a mixing station 150, shown in Figure 1. The system may mix component fluids, such as dyes, buffers, or other processing materials, preferably on demand and as the processing steps and protocols dictate. Fluids required during the processing steps may sometimes need to be mixed  
15 with other fluids to create a final activated fluid mixture or cocktail. However, the activity levels of these mixtures can be time sensitive and may therefore only be effective for a short period of time. The on demand, or perhaps just-in-time mixing of fluids is advantageous in that it allows the fluids to be mixed immediately before being used. This may be coordinated with the scheduling functions discussed below to permit the  
20 simultaneous goals of on demand mixing with enhanced scheduling. The syringe or probe 124, in preferred embodiments, will aspirate fluids into and from the mixing station 150 to mix component fluids. A rinse may further be dispensed into the mixing station to sterilize the station.

25 In preferred embodiments, slides are movable and configurable in both vertical and horizontal positions as required for the pretreatment and staining process. This allows for the automation of the pretreatment and staining of slides in various manners, including pretreatment and staining as accepted in conventional manual laboratory methods. The slides are initially loaded into the carrier retention assemblies, such as slide racks, and  
30 drawers in the horizontal position. If pretreatment is required, such as deparaffinization, the system rotates the slide into the vertical position and lowers these samples into a processing tank, further described below, filled with the required fluids. In some embodiments, the slide rack is lowered to affect lowering of the slides (see Figure 2). To perform the staining process on the slides, as described below, the System rotates or  
35 moves the slide to the horizontal position and a syringe or probe applies fluid to the



sample, providing a horizontal staining of the sample. Each slide can be rotated independently allowing for the independent processing of different samples with different requirements.

5           The system automates, and in some embodiments mimics or otherwise corresponds to the procedure and physical attributes of the supplies used manually to perform these same pre-treatment processes. Accordingly, a processing tank may be provided. In some embodiments, components of each processing tank may be configured within a drawer 104. In some preferred embodiments, the fluids volume needed to  
10 perform pre-treatment processes are maintained but instead of the slide orientation with each other being face-to-face, as in conventional systems, they are side-to-side, although other slide configurations are not disclaimed. The processing tanks provide even distribution of fluids across the face of the slide.

15           In some embodiments, the processing tanks have the ability to heat and cool the slides. Heat may also be applied to each individual slide by a thermal device. The precision and physical application of the temperature control can result in standardization and repeatability of process steps. Filling and heating tasks are performed by a computer controlled scheduler, as further described below. Fluid volume may be adjusted to  
20 account for the presence or absence of any number of slides.

          In some embodiments, the individual fluids used for pretreatment may be contained in the system cabinet. Deparaffinization fluids (except DI water) may be drawn into the processing tanks, then returned to their containers for reuse. Containers are as  
25 listed for fluids one through six. On a periodic basis, the material in the "dirty" containers may be discarded. The "clean" containers may be moved up to the dirty position, and then fresh fluid added to clean position. DI water may be drawn from the large system DI water container, and discarded after each use. Target retrieval solution may be drawn from dedicated containers, and may be recycled or discarded after each  
30 use.

          Returning to the aspect of monitoring or capturing information, an embodiment of the system may be designed to monitor replenishable supply information, such as the status of buffers, reagents, stains or the like. By monitoring for a potential need for  
35 replenishable supplies the system may not only provide the replenishable supply

information monitor 403 shown in Figure 10, but it may also relieve operators of some concerns. It may also remove at least one possibility for human error. Significantly, the system may also act to automatically notify any number of people relative to the information monitored. With respect to replenishable supply information, the system  
5 may notify a user, an operator, an administrator, or even a supplier of an actual, potential, or impending need to replenish supplies. As such the system may be considered as including an automatic notice element 404, or an automatic operator replenishable supply notice element, an automatic supplier replenishable supply notice element, or the like.

10 In a similar fashion, an embodiment of the system may monitor or capture information that is of interest to the continued or continuous operation of the device. As such it may be monitoring instrument maintenance information. This may include, but is not limited to monitoring part cycle information, ranging from a gross information such as age of the device, estimated number of cycles, to even monitoring specific information  
15 such as monitoring individual part cycle information (e.g., how many times and actual valve was turned on or off, etc). By including an instrument maintenance monitor, an instrument maintenance information monitor 405, a part cycle monitor, or an individual part cycle monitor 406, the system may facilitate not only enhanced reliability and continuous operation, but it may permit preventative maintenance such as maintenance  
20 based on product cycles or mean times between failures. Naturally, it may also use the automatic notice element 404 such as providing an automatic maintenance notice element to inform a wide range of persons of such issues.

Of course, a large variety of information may be monitored; embodiments of the  
25 system may monitor or capture information that relates to material requirements, such as expiration dates, lot information or the like. Thus the present invention may include a material requirement information monitor 407 so that it acts to automatically monitor material requirement information. This may be a product expiration information monitor 408 that may even act with respect to an upcoming expiration and may even cause the set  
30 of automatically advance notifying a person by providing an automatic advance expiration notice element. For items that may be very important there may even be multiple notices either concurrently or sequentially and as such the system may include a multiple advance expiration notice element. Another type of information that may be monitored is historical usage information such as information of a statistical or past  
35 nature. Thus the system may include an historical usage information monitor 409. From

this, predictive estimates may even be made such as a likely date upon which to order an item or the like. Through monitoring predictive usage information, this may be one way the system may be able to provide an automatic predictive need notice element or even a predictive usage information element 410. It may also provide for a user statistical information monitor so that it can assemble and monitoring user statistical information and act on this such as by comparing to other historical or statistical information or the like. The present invention may also be configured to monitor sample process efficacy information such as by assuring particular protocols are followed or the like and may thus provide a process efficacy information monitor 411. Monitored information may be extrapolated to permit a totalizator 413 capability by adding up individual usages to know amounts left or otherwise impacted by operation. This may include totalizing usage information for an item such as a reagent or an individual part's cycles. Such a capability may serve as a totalization usage information monitor, a reagent totalizator, or a part cycle totalizator. The system may also report cost per test and other such synoptic information that may be important to the economics and efficiency of instrument operation from a practical perspective. By having a data capture element 414, the system may generate data that may include or permit analysis or use of a variety of aspects, including but not limited to: number of occurrence data, part operation data, amount of usage data, and amount of material used data. Such data may, of course, have a like element, perhaps a subroutine, to do or generate the various function or data involved.

In some embodiments, an imaging device such as an image-capture 2-D optical sensor, perhaps a CCD camera, or the like, may be used to determine the position of the sample on the slide, providing for greater accuracy during sample processing. Embodiments of the sample processing system 101 may further provide sample diagnostic capabilities. Accordingly, in some embodiments, a device may analyze samples. A camera may be used for diagnostic purposes. In some embodiments, the sample may be scanned for further analysis, potentially by computer. The camera can also be used 1) as an area locator, 2) to locate a tissue area, 3) to apply reagent based on location and area. The scanned image may be analyzed for reagent analysis or other analyses.

The system may also generate or also monitor subject sample data. Relative to the imaging device, the system may monitor or perhaps capture image data, such a sample image data, substance image data, system image data, and even pre- and post-event image

data. Each of these may be systematically stored for some purpose. Each of these may correspondingly be considered to present an appropriate element such as a system image data capture element, a substance image data capture element, a sample image data capture element, and a pre- and post-event image data capture element. In addition, there  
5 may be included a multiple image data capture element so that more than one image may exist to prove or evidence an aspect of the processing. Again, the system may act to systematically store and one or the multiple images so created. Collections of like data, such as groupings of individual sample process data, individual slide log data, and even type of protocol data may also be created.

10

The processing of samples may be accomplished according to some preferred embodiments as shown in Figure 4 and Figure 11 consistent with features of the present invention. Variants of these protocols and processing steps, or other processing steps, may be accomplished consistent with the present invention.

15

One processing sequence may broadly comprise the pre-processing of a sample, if needed, such as deparaffinization (as previously described), and further comprise target or epitope retrieval (as previously described), and sample staining.

20

In some embodiments, specifics of in-situ hybridization (ISH) may be addressed. Embodiments of ISH may require a small volume of reagent, such as 15 microliters, to be placed on the sample. Heat control may be maintained between about 95-100 C and kept constant for a period of time. Temperature may then be lowered in a controlled manner.

25

Furthermore, fluorescent staining or tagging in IHC or ISH (FISH) may be performed consistent with the features of the present invention.

30

As mentioned, the sample processing system may automate the processing of samples mounted on carriers or slides. This configuration of the system allows for the flexibility for both continuous, individual, and batch processing of slides with the design lending itself to meet established laboratory workflow demands. The multiple independent and redundant slide processing subsystems found within the system may also maintain its ability to process each slide independently.

The automatic processing may be achieved by designing a system with automated process operation capability or sequencing through at least some steps without human intervention. This may be controlled by or act in response to a process operation control system 171. This may be provided through hardware, software, or some combination of the two. One conceptual embodiment depicts some of the various capabilities in Figure 10. Of course, the user needs the ability to specify the nature and sequence of the various steps or acts desired or even the appropriate priority or other scheduling parameters to be used. This can be accomplished by an input parameter capability 173 through the inclusion of even a sample process parameter input 173. Input can be retained by the creation of stored parameter process data 174 so that the system can achieve the aggregate or perhaps plurality of process operations desired and thus the input may be an aggregated sample process input. In order to facilitate uninterrupted processing, the input parameter capability 173 may be configured as an independent process parameter input with respect to the process operation control system 171, such that acts caused by the process operation control system 171 are unaffected by any action with respect to the independent process parameter input. Further, the input parameter capability 173 may also be configured as an autonomous input functionality through the inclusion of an autonomous input element.

With the desired types of processing input, the system may act to automatically schedule the various events perhaps through a schedule element 605. These events may be considered as making up an aggregated event topology in that there is an aggregation of desired events and in that the events themselves present some topology or contour for a processing sequence. This topology may include only the events or it may include certain goals such as a particular prioritization or outcome desired. When using an initial input, the system may achieve scheduling of the events in the manner desired. Of practical importance may be the ability of an embodiment of the invention to permit and facilitate operator changes to the initial aggregated event topology. Significantly, these changes may be achieved dynamically, such as while other parts of the system are continuing processing. In facilitating changes while otherwise operating with little or no interruption, the system may act to achieve adaptive scheduling. This may begin as adaptive scheduling of an initial aggregated event topology and may evolve into adaptive scheduling of an altered aggregated event topology. This may occur on individual or perhaps stand alone devices, such as a stand alone stainer, or it may occur on an inter machine basis, such as by using an inter machine schedule indicium or an inter machine

schedule element. Regardless, it should be understood that the scheduling of an altered topology may occur after commencing an initial automatic processing routine.

The alteration of the aggregated event topology may include any variety of actions that effectively alter an initial setup. These may include but are not limited to: altering the aggregate, such as perhaps adding a sample, deleting a sample, changing a sample, or altering the topology such as accepting a user change input such as merely a change in priority. They may also include accepting a temporary user change such a change that a user wants to see the effect of but may not wish to implement. Thus the system may include a sample addition element, a sample deletion element, more generally a sample change element 601, or a temporary user change element, each of which may be considered as creating some type of altered aggregated event topology. To permit a user decision embodiments may include functionality or subroutines for activating a user change or undoing a user change. These may be considered a user change activation element or a user change undo element. Such selection may be presented in conjunction with a results display element 602 of some sort such as an effect synopsis display element, a temporal impact display element (e.g., the time impact on one or more samples to be processed as a result of the alteration), and even an estimated temporal impact display element, whereby the time effect is only estimated.

20

As a result of some type of alteration in the aggregated event topology, the system may reschedule events. This rescheduled sequence may be used to interrupt or may provide an interrupt 603 relative to the initial sequence and to thereafter continue revised automatic processing according to the altered aggregated event topology. As can be understood, this may be accomplished without completing the initial automatic processing. The rescheduling may be programmed to achieve a variety of result and then to compare with is "best" depending on how the operator or system define that goal. Achieving a variety of results can be accomplished by simulating runs or perhaps a portion of a run and comparing the results of that simulation. The simulation may be of varied sequences set up according to certain parameters as explained below. By so doing, embodiments may include varied-parameter robotic control simulation functionalities 606, that is programming that simulates robotic operations based on differing parameters. These varied-parameter robotic control simulation functionalities 606 may be responsive to the aggregated sample process input by acting on the data the input creates. Specifically, the system may run multiple simulations for the same aggregated event

35

topology with each simulation using different criteria to determine the sequence of steps. The results of these simulations may be indicium that can be used and compared. Comparison may be achieved by an automated process simulator comparator 604 which may look at any indicium resulting from the particular simulation being considered.

5 From the indicium, a decision may be made and a particular set of parameters may be determined to cause an enhanced, if not optimum, sequence for a desired goal. These parameters may then be used in a preferred functionality robotic control generator 607 which may then actually create the sequence that is used for the desired process operation. In this fashion, the system may have a process generator that is responsive to

10 the automated process simulator comparator and from which an automated process functionality may be created.

As mentioned, the simulations may take into consideration a variety of input for factors, including a user parameter input. Of course, there are a variety of parameters that

15 may be considered as the rescheduled sequence is determined perhaps by comparing indicium (e.g., any value having information relative to that particular model) relative to a particular model. These may include but are not limited to: a substance priority parameter, a reagent grouping parameter, a robotic movement parameter, a sample location priority parameter, a sample proximity priority parameter, a sample insert time

20 priority parameter, a user input parameter, a user priority parameter, a sample time since last processing priority parameter, a time-based priority value parameter, and a sample weighting parameter.

The system may compare the results, perhaps by software that may act as a

25 comparator 604. The elements compared may be elements such as comparing processing time indicium, comparing completion time estimates, comparing substance cost estimates, or comparing sample priority assignments, and as such may be considered as having a robotic control simulation results comparator, a sample time since last processing priority parameter robotic control simulation functionality, a time-based priority value parameter

30 robotic control simulation functionality, a substance priority parameter robotic control simulation functionality, a completion time estimate comparator, a substance cost estimate comparator, a sample priority assignment comparator, a repetitive process simulator comparator, and even a qualitative analysis comparator. As mentioned earlier, to facilitate some type of comparison, it may use indicium, such as an initial robotic

35 control indicium and a second robotic control indicium.

In establishing a system that is practical, it may be advantageous to include -- at least initially for calculations time concerns -- a limited number of different simulations. For example, two or three may be included and may thus be considered a first control simulation functionality, a second control simulation functionality, and a third control simulation functionality. By establishing a system with a sample time since last processing priority parameter robotic control simulation functionality the system may assign a higher priority to samples that have not had any or perhaps particularly important activities for some time. By establishing a system with a robotic movement parameter robotic control simulation functionality it may take into consideration how far a robot needs to move to assign priority to items that require less movement. By establishing a system with a substance priority parameter robotic control simulation functionality, it may include consideration the fact that some substances are particularly concerning either because of cost, rinse needs, toxicity, or the like. Finally in making a comparison to determine which parameters yield a more desirable sequence, the system may include an enhanced temporal scheduler element so that the system automatically evaluates which parameters are likely to yield the fastest processing time. Naturally, this enhanced temporal scheduler element may be based on an total sample basis or may be based on some subset thereof. It may even be based on individual samples such as for a stat run or the like. Thus the robotic control simulation results comparator 604 may act to provide an enhanced rescheduling of an altered aggregate event topology. In implementing the revised sequence, the system may provide a seamless initial adaptive schedule functionality interrupt and may act to seamlessly, perhaps without perceptible discontinuity, interrupt the initial sequence and continue with the new one. Further, since the simulations may be time consuming, it is possible do only an initial comparison, perhaps such as merely comparing two differing functionalities, to then select one of them such as an initially preferred robotic control functionality and to then continue more simulations and comparisons. From this continued effort, there may be discovered an even better set of parameters and thus the system may thereafter implement a second preferred robotic control functionality as perhaps a better solution. Naturally continued simulations and comparisons may occur.

As may be understood by the above, rescheduling due to an altered aggregate event topology may be impacted by a number of factors. As but one example it may be understood in shortening time for overall processing, the location of a particular



substance or a particular sample may be important; the further between samples or substances, the slower the processing. Because of this type of factor, it is possible that the system may actually consider, simulate or otherwise assess factors and may suggest actions that may yield desired results. For example, the system may display at least one suggested sample location, a suggested sample drawer location, a suggested stainer location, or the like. From this the user may be able to accept a proposed action and may even be able to accept or reject the suggestion. Thus the system may display a suggested user selection. This may even be the act of displaying a temporally enhanced suggested user selection through providing a user selection menu or the like. From this, the system may accept a user parameter input through a user selection menu. The results may even be summarized to display a synopsis of the effect due to the alteration, such as to display a temporal impact due to the alteration. Naturally, this may be estimated and the system may act to display an estimated temporal impact. Whether impact based or suggestion based, the system may provide the user valuable input and in this manner it may actually provide a suggested sample location element, a suggested sample drawer location element, a suggested stainer location element, a suggested user selection element, a temporally enhanced suggested user selection element, or the like. Naturally, such activities as well as any rescheduling or simulating may be the result of an operator request, the system sensing an operator access event, the system accepting a user change, or even some type of operator access event sensor, such as a drawer sensor or the like.

Similar to the act of suggesting to the operator a particular action that may enhance scheduling, the system may act to inform the operator of needed events or the like. If a particular substance is required but is not present in the machine (likely as sensed by the device itself perhaps through the optical sensor), the system may automatically prompt an operator for a particular action needed, such as insert the needed reagent or the like. In downtime or otherwise, the system may even repetitively automatically check if an operator action is needed. As such the system may include an automatic operator need prompt 608. It may also provide a variety of information such as real time status information, pending sample information, a real time completion estimate for an aspect (e.g., a sample, a drawer, a batch, or the like). Each of these may be accomplished by software and hardware perhaps by including a real time status information element, a pending sample information element, or a real time completion estimate element, each shown conceptually as the information element 609.

35

As to any of the above capabilities, such may not only act independent of the automated process operation capabilities, but where applicable, they may be fully functional even without the presence or operability of the automated process operation capability (which itself may or may not be in a process device). They may be achieved in a variety of manners, including by providing a separate full function computer 181 (e.g.,  
5 separate from the capability provided or required by a process system) or that may be programmed to accomplish the desired function. In addition, in order to accomplish a goal of addressing practical and institutional needs, any capability may be configured to provide simplified use and may even be available in a highly simplified level of detail.  
10 This may be a "wizard" type of system where there is a "step-by-step" method for functions such as adding slides, achieving the desired input, or the like. Such an aspect may even be simple, regimented, and somewhat inflexible. A structured or simplified input can facilitate input by persons not required to have the full spectrum of skills necessary to be responsible for the operation of the sample processing system 101.

15

As part of the functions of monitoring or perhaps allowing play back of events, the system may include some type of data capture element 414. As may be appreciated from the initial discussion of the types of actions potentially needing to be programmed, the data capture element 414 may capture individual movement data, only robotic action  
20 data, individual robotic movement data, individual operation data, or even individual usage data. Thus the data capture element 414 may be an individual movement data capture element, a robotic action data capture element, an individual robotic movement data capture element, or an individual operation data capture element. All or any part of this data may be systematically stored such as storing all important details, only  
25 particularly important details (e.g., relative to highly sensitive valves, substances, or the like) or even only a significant number of details relative to sample process operations. Thus the data capture element 414 may be a systematic process detail capture element. Once captured, this data may be stored in a number of fashions. There may be a memory location at which such data resides and this may thus represent a significant process detail  
30 memory 412. It may also represent a subject sample data capture element and any of the memory types mentioned earlier may be used for such a purpose.

In storing the data, the system may create a segmented computer file, that is a file that contains only such data so that it is not as manipulatable as other files. This may aid  
35 in assuring the accuracy or even certifiability of the events depicted. For instance for any

particular sample, there may be automatically generated upon request a simulation -- perhaps with a time base appended -- of what happened to that particular sample as well as pictures of the sample before and after its processing. The data so stored may even be created as an inalterable computer record and perhaps may even include an integral change indicia that can prove its accuracy. When stored, the system may create a common format computer record so that user can easily work with it or it may create a proprietary format computer record that cannot be altered or the like. Thus the significant process detail memory 412 may represent a segmented computer file memory element, an inalterable computer record memory element, an integral change indicia memory element, a common format computer record memory element, or a proprietary format computer record memory element.

The capture of data may include time of occurrence data, such as actual date data, actual time data (e.g., UTC, etc.), precise time data (e.g., hours, minutes, seconds), relative time data, absolute time data, initiation time data, and even completion time data (e.g., process, protocol, motor operation events, or the like). Again, the data capture element 414 may include, but is not limited to, a time of occurrence data capture element, an actual date data capture element, an actual time data capture element, a precise time data capture element, a relative time data capture element, an absolute time data capture element, an initiation time data capture element, or a completion time data capture element.

One item that may be of particular user desire is the fact that the data capture element 414 may represent an individual sample process data capture element, an individual slide log data capture element, a type of protocol data capture element, and even an individual slide log data capture element. There may also be a real time individual slide log data display to show actual processing as it occurs.

As used above, the slide identification information may represent any information unique to a particular slide, such as a serial number, patient number, patient name, unique image, or the like. In keeping with privacy concerns, there may also be coded or perhaps encrypted identification information or internal identification information that others cannot use to identify the particular patient involved or the like. As discussed below and as shown in Figures 8 & 9, the overall system may include a number of staining instruments and thus the input can include preferred stainer information (which may or

may not be indicated or accepted by the automated system). Provision can also be included to achieve a rush test and as such there may be an immediate, urgent, or otherwise known as stat (an often used medical term for immediate) process request information element. Such may also be linked with user privileges information so that  
5 only certain individuals may displace other tests to create a different priority. Of course all permutations and combinations of the above may be included.

For automated operation, the input may create data such as parameter process data  
174 that may be stored at some location. To provide autonomous operation, it may be  
10 independently stored perhaps in a physically independent memory even at a location remote from an actual stainer itself. This may be accomplished by utilizing a primary or secondary storage perhaps of a separate full function computer programmed or configured to accept and/or store data. In such a fashion, the computer may contain what could be considered as an independent process parameter memory 174. Since the  
15 computer is likely physically separate, it may be considered to have a physically independent memory perhaps even a remote location memory if it is remote from the process equipment.

By using independent memory and independent other functionality, the system  
20 may facilitate full operational functionality of the automated process operation capability. Since the automated process operation capability is fully operational during operation of either the memory or input, the storing or inputting or other function can be conducted without interrupting the process operation. Thus the inputs can be later accessed at a process time independent of the time of accomplishing slide process parameter input or  
25 storing. In addition, entry or storing may also be accomplished at least in part concurrently with the processing of certain samples. This processing may even be initiated significantly after completion of the slide process parameter input action. Such may occur at least about one hour after the input, at least about three hours after the input, at least about eight hours after the input, at least about one day after the input, at least  
30 about two days after the input, and at least about one week after the input.

As mentioned briefly above, once the information is either monitored or captured, the present invention may act to automatically inform at least one person who may find the information useful. The automatic notice element 404 mentioned earlier may be  
35 configured to act as an automatic exteriorly-consequential information notice element by

relating largely to that type of information. Of course, the automatic notice element 404 may act in response to the step of monitoring the particular information involved. For example, if it is monitoring operationally-altered outside information, the automatic notice element 404 may act as an automatic operationally-altered outside information  
5 notice element. For process events that are merely captured and not automatically monitored, a person may prompt the system upon which it may provide information by some type of display 415. This display (in its broadest sense) may reveal at least some information, perhaps relative to sample process operations to at least one person. If the display reveals significant process detail information, it may be considered as a  
10 significant process detail information display. Further if it displays at a separate location there may even be a significant process data transfer element to facilitate remotely displaying such information. As such the display 415 may be considered a remote process detail information display. As mentioned earlier, the system may provide for a real time information display, that is a display that reveals information at about the time it  
15 occurs. By real time displaying information remotely, the operator or any other interested person may be able to "watch" or monitor the progress of the instrument from another location -- perhaps even the other side of the world. This may be particularly valuable when there is a real time display of individual slide log data as mentioned above.

20 One type of display 415 that may be noteworthy is the fact that embodiments of the invention may create a simulated motion display. The simulation may visually show an element moving on a screen just as the robot head actually moved when it operated. Embodiments can provide sequential playback capability so that one could also "watch" the instrument just at it operated at some earlier time. There may also be an altered speed  
25 sequential playback capability, a user alterable speed sequential playback capability, or merely a high speed sequential playback capability perhaps all with or without pause or slow motion capability. With this capability, the display 415 may represent a simulated motion process detail information display. The system may thus include a sequential playback element, an altered speed sequential playback element, a user alterable speed  
30 sequential playback element, and a high speed sequential playback element.

All this information must, of course be used by some person. Any interested person may have the information available to them, such as an operator (e.g., anyone responsible for all or a portion of a process or the instrument), an instrument operator  
35 (e.g., an individual physically responsible for all or a portion of a process), an

administrator (e.g., a person managing operators or perhaps responsible for order placement), a substance or other supplier, or even a manufacturer, such as for support and maintenance capability. For events that may require external actions (e.g., ordering more reagent or the like), the system may automatically notify at least one of these types of people and thus the automatic notice element 404 (such as a display which may be visual or otherwise) may be considered as representing an automatic operator notice element, an automatic administrator notice element, an automatic supplier notice element, or an automatic manufacturer notice element. It may also be considered as representing an automatic operator exteriorly-consequential information notice element, an automatic administrator exteriorly-consequential information notice element, an automatic supplier exteriorly-consequential information notice element, or an automatic manufacturer exteriorly-consequential information notice element.

Notice may be given at a variety of times. The system may act to automatically advance notify a person such as of an upcoming expiration date or of a need to reorder in advance. In so doing it may have or have input to it some type of lead time information that tells it how early to take the action. By properly configuring a lead time information data element 416, lead time may vary by location and situation, for example a machine around the world or used continuously for critical processing may have a longer lead time than a machine right next to a supplier or used only sporadically. Order lead time information, reagent order lead time information, maintenance lead time information (any of which may vary over the course of a year or from time to time) may be utilized and as such the lead time information data element 416 may represent an order lead time information data element, a reagent order lead time information data element, or a maintenance lead time information data element.

Notice itself may be displayed in a variety of ways. The system may automatically E-mail a person through inclusion of an E-mail notice element; it may automatically print out (including faxing) a notice by having an automatic printout notice element. Among other possibilities, it may automatically utilize a telephone line for simulated or reproduced voice or other information by having an automatic telephone line utilization element.

The actual event of providing notice may be automatic or it may be caused by some type of user prompt 417. By accepting a monitored information user prompt the

system may represent a monitored information user prompt. The prompt itself may be a mere software selection or even a mere click-on items such as a software displayed button or the like. Whether displayed and acted upon remotely or at the actual robot-containing housing, such a user prompt 417 may cause a remote access connection to be established and as a result at least some significant process data may be displayed. In such a manner the user prompt may represent an information access prompt element, a software selection element, or a remote access element.

In some embodiments, the system may be comprised of independent or perhaps redundant slide staining modules (some embodiments may comprise eight modules) as shown for some embodiments in Figures 1 and 6. Throughput may be based on the time to first result with the system allowing access to completed slides as soon as a staining module has completed the scheduled staining tasks. The multiple independent or redundant staining modules may allow for both continuous and batch processing of slides. Additionally, each independent staining module may also allow for the independent pre-treatment and staining of each slide. A carrier retainment assembly, such as a slide retainment assembly, may be used to introduce slides to be processed into the drawer 104, the drawer, slide retainment assembly, and components thereof forming a stain module. The slides may occupy one or more positions of the slide retainment assembly, such as at carrier retention devices, up to the capacity of the slide retainment assembly with the potential for each slide being processed independently of other slides configured with the slide rack. Embodiments of the stain modules, drawers, slide racks, and components thereof are also shown in Figure 6. Figure 6 also provides other embodiments of system features, such as an embodiment of the arm 120 and the component features of the arm.

Slide retainment assemblies having one or more slides and even reagent containers may be introduced into the staining or reagent modules by introduction into drawers 104 one at a time or in any combination until all or an appropriate number of staining modules are appropriately occupied. There may be no restrictions as to the order, number or timing of when the slide retainment assemblies are introduced into the system, the system may also allow for adaptive scheduling of sample loading. Staining modules, and in some embodiments the drawers of the staining modules, may lock out access to the slides during the processing period and may release them to the operator upon completion of the staining or other process on the last slide of that module. In some embodiments, the order in which the slide retainment assemblies are released may be dependant on the time

required to process the last slide of the retainment assembly. Slides may even be processed in the most time efficient manner independently of the order to which they were introduced into the system. The system may provide an optimum or merely an enhanced temporal scheduling of the various sample process steps. To accomplish this, the system may automatically schedule steps that are interspersed for an enhanced time result. This interspersing may be an interleaving of a number of process operations and even an interleaving of a number of individual sample operations. In addition to interleaving steps, the system may sequence the individual sample operations. Regardless as to how programmed, it may be configured through hardware or software or a combination of each to provide an enhanced temporal scheduler element 179, a process operations interleave element, an individual sample operations interleave element, or even an individual sample operations sequence element. These can be created by integrating the automated process operation capability and either the parameter data or perhaps some replicated portion of that parameter process data (as mentioned later) and can thus act to create an interspersial robotic control functionality 175.

Slide retainment assemblies having one or more slides may be introduced into the staining modules by introduction into drawers 104 one at a time or in any combination until all staining modules are occupied. There may be no restrictions as to the order, number or timing of when the slide retainment assemblies are introduced into the system, the system allowing for adaptive scheduling of sample loading. Staining modules, and in some embodiments the drawers of the staining modules, will lock out access to the slides during the processing period and may release them to the operator upon completion of the staining process on the last slide. In some embodiments, the order in which the slide retainment assemblies are released is dependant on the time required to process the last slide of the retainment assembly. Slides may be processed in the most time efficient manner independently of the order to which they were introduced into the system.

The control of the processing samples may be accomplished according to the following preferred embodiments, one preferred embodiment shown in Figure 5, although other processing may be accomplished consistent with the present invention.

Control of the sample processing may be accomplished by a dynamic scheduling algorithm, and in preferred embodiments, in accordance with the continuous or batch processing previously described. The processing sequence may be controlled, in



preferred embodiments, such that the various steps of a protocol for samples may be automated by one or more algorithmic controls. A preferred control may be accomplished as follows: 1) selecting a first protocol step, 2) selecting a second protocol from a restricted list of menu items that are compatible with the first protocol step, and 3)  
5 selecting subsequent protocol steps from a restricted list of menu items that are compatible with the preceding protocol step.

As shown in Figures 8 & 9, in expanded systems, a sample processing system manager, such as a computer server may be connected with a number of individual  
10 sample processing systems. These may represent automated slide stainers or even stand alone automated slide processing system such that they are fully capable of functioning with connection to other devices. In systems where a connection does exist, the capability of electronically connecting a number of automated slide stainers or automated sample processing systems or label printers 200, may be provided. As mentioned earlier,  
15 there may be one or more separate full function computers connected. These may be connected through a hub 193. There may be a multitasked central processing unit resource on either the stainer or the computer or there may be a number of central processing units that are configured to avoid using or implementing a multitasked central processing unit resource relative to the process operations in order to maintain full  
20 independence or perhaps even autonomous operation. The connection, whether for input or other operation may also be a remote link (including ability to be made remote such as in detachable memory) such as an internet connection element, a telephone line connection element, a wireless communication element, or even a detachable memory element. In a preferred embodiment, connection among perhaps a number of process  
25 systems and perhaps a number of computers, such as workstations and a server (the latter residing either separately or as part of a workstation), may be achieved by use of a local area network (LAN), such as a group of computers and associated devices that share a common communications line or perhaps wireless link and may even share the resources of a single processor, memory, or server within a small geographic area (for example,  
30 within an office building or complex). A local area network for this type of system may also include features such as but not limited to: an Ethernet element, a token ring element, an arcnet element, a fiber distributed data interface element, an industry specification protocol, a bluetooth-based element (named but not contemporary to King Harald Bluetooth of Denmark in the mid-tenth century!), a telecommunications industry  
35 specification using a frequency band of 2.45 GHz, a communication specification

applying an IEEE 802 standard, a frequency hop communication specification, a shared common link element, a transmission control protocol/internet protocol communication element, a packetized information protocol, a shared protocol, a proprietary protocol, and even a layered protocol exchange system. By providing an electronic connection 176  
5 between various resources, the local area network such as the stainer network 183 (a network dedicated to only the stainer or perhaps sample processing resources for integrity, security, and other purposes) in one embodiment may transmit a electronic memory address to achieve access to the appropriate information. Connection may also be established to a lab network, facilities intranet system, or even a lab information  
10 system 195 such as through a bridge 194.

As mentioned, connection may be accomplished over internet connections but more preferably is accomplished over local area network connections. Each sample processing system may be individually controlled, in some embodiments, by a PC  
15 attached with, internal to, or otherwise provided. Data sharing between sample processing systems and the system manager may be performed to allow identification, tracking, and status of sample batches, reagents, and other agents and components of the sample processing system. A determination of which system has which reagents, reagent type, slides and protocols may be performed. Log files for each processing sequence,  
20 protocol, or slide can be generated for monitoring processing status. Database maintenance (including but not limited to purge, compact, back-up, database/list, and archive functions) and system diagnostics (including but not limited to exercising active system components to verify proper operation and assisting in troubleshooting efforts) may be accomplished manually or automatically.

25

The system may be configured to automatically access the required data through operation of the process operation control system 171 by inclusion of an automatic memory access element. This access may be achieved by specifying an electronic memory address that may be transmitted by a electronic memory address element 178  
30 perhaps over a local area network and may be followed by automatically replicating that data on some a memory aspect appropriate for operation such as an automatic data replication memory. This memory may include but not be limited to: a volatile memory functionality as implemented by a volatile memory element, a random access memory functionality as implemented by a random access memory element, a non-volatile  
35 memory functionality as implemented by a non-volatile memory element, an electrically

erasable programmable read only memory functionality as implemented by an electrically erasable programmable read only memory element, a main storage functionality as implemented by a main storage element, a secondary storage functionality as implemented by a secondary storage element, a cache memory functionality as implemented by a cache memory element, and even a detachable memory functionality as implemented by a detachable memory element.

A control interface may be provided for the operator, such as a graphical user interface (GUI), and may accommodate various languages. Help menus may be provided to assist in sample processing. Password protection features can be provided and even administrator control over at least some aspects. This may include the capability to include administrator limitations on the functional availability of any aspect of the system or of specific stainer availability or functionality, certain reagent availability functionality, certain protocol availability functionality, patient identification information access functionality, process priority request functionality, and immediate, urgent, or stat process request functionality. By including an administrator control element 180, the system may have an administrator-implemented user limitation element, a specific stainer availability limitation element, a certain reagent availability limitation element, a certain protocol availability limitation element, a patient identification information access limitation element, a process priority request limitation element, an immediate, urgent, or perhaps stat process request limitation element, a user privileges input element, and even a user group privileges configuration or input element.

Control of the sample processing may be accomplished by a dynamic scheduling algorithm, and in some embodiments, in accordance with continuous, or batch processing previously described. The processing sequence may be controlled, in preferred embodiments, such that the various steps of a protocol for samples may be automated by one or more algorithmic controls. As part of input to establish the desired control functionality, user or other input may be accommodated as follows: 1) selecting a first protocol step, 2) selecting a second protocol from a restricted list of menu items that are compatible with the first protocol step, and 3) selecting subsequent protocol steps from a restricted list of menu items that are compatible with the preceding protocol step.

After all data is input, the system may act to determine operational readiness by inclusion of an operational readiness determination element 177 that may be programmed

to assess if appropriate resources, drawers, slides, reagents, or other aspects are present or available to the system. As mentioned above it may notify an operator of a need if any exists. Once an appropriate operational readiness is determined, the system may prompt initiation of access of the input data to electronically determine operational availability of a variety of items. These may include but are not limited to: an individual sample element through inclusion of an individual sample readiness determination element, a defined group of samples through inclusion of a defined group of samples readiness determination element, a physically grouped collection of samples through inclusion of a physically grouped collection of samples readiness determination element, a slide drawer component through inclusion of a slide drawer component readiness determination element, a stand alone automated slide processing system through inclusion of an stand alone automated slide processing system readiness determination element, a slide stainer system element through inclusion of a slide stainer system readiness determination element, and even a user initiated prompt signal such as might occur to force or activate the system manually by the inclusion of a user initiated prompt signal determination element.

There may even be timing tolerances, referred to in some embodiments as “bubble tolerance”, that may be controlled as between steps, such as between aspiration cycles. Additional control may be accomplished through timing algorithms to determine time tolerances of components of the processing system, such as the monitoring of “shelf life” or viability of reagents. Furthermore, adaptive scheduling of sample and slide insertion and removal into the system, as previously described, may be accommodated on an on-going basis throughout operation of the sample processing system.

One aspect of the invention focuses on an automated staining apparatus and a method of automated treating of samples. As to this aspect, the present invention relates to an automated staining apparatus for treating samples arranged on carrier elements or means, such as but not limited to microscope slides, located at defined positions close to or in the apparatus by removing a portion of selected reagent from a station containing a plurality of reagents and thereafter applying the reagent to a sample, e.g. a tissue, organic cells, bacteria etc., arranged on the carrier means. This aspect of the invention facilitates that two or more reagents are mixed and the mixture applied to a sample. It also relates to a method of automated treating of samples by mixing reagents and applying the mixture to the samples.

Staining apparatuses for staining and treating samples by means of a probe normally comprises a first station for containing one or more reagent vials; a second station for mounting slides, a probe arranged for removing a portion of reagent from a selected reagent vial and applying the reagent to a slide on which the sample is arranged and a drive means for moving the probe between the various stations.

An object of this aspect of the present invention is to improve the known apparatuses for staining samples as well as the method for automatic staining of samples by facilitating a wider range of available processes or procedures used to implement treatment, so as to ease the implementation of different staining and/or treatment processes that may be performed automatically, alternatively or additionally to provide an increased quality of some specific staining processes.

The term staining is used for the end product of the process, by which certain parts of the sample may be stained, i.e. has obtained a different colour, either in the optic range or in another electromagnetic range, such as ultra violet, or the staining may be an detectable, preferably automatically detectable, change in properties, such as fluorescent properties, magnetic properties, electrical properties or radioactive properties. To obtain the staining, the sample normally has to undergo a series of treatment steps, such as washing, binding of reagents to the specific parts of the sample, activation of the reagents, etc. and each treatment step may include a plurality of individual treatments.

In some staining processes, it may be required for one or more treatments to use a mixture of reagents prepared from two or more separate reagents which may be somewhat incompatible e.g. unmixable, such as a water based and an oil based reagent, or insoluble, and therefore requires that the two or more reagents are manually prepared and introduced into a reagent vial shortly before starting the staining process in order to obtain the best possible staining result for the selected examination purposes. For other processes, different staining process steps require a mixture of the same two reagents but in different dissolved ratios. Some process steps require mixtures of two or more reagents that, when mixed, have a limited time window of usability because internal chemical processes deteriorate the mixture. By providing a staining apparatus having an automated mixer integrated therein, these types of staining processes can be performed automatically instead of requiring human interaction or manual performance of some

process steps in a much more automated process, and the quality of the staining process may be improved as a desired degree of mixing of reagents may be provided or an optimal application time window for a deteriorating mixture may be reached.

5 The carrier elements or perhaps means are preferably arranged in groups or series on trays or the like, so that a plurality of carrier means may be removed from or situated in the apparatus simultaneously, and the apparatus preferably also comprises means for performing the intermediate storage of the carrier means with samples thereon and the removal of the carrier means from the apparatus automatically.

10

The operation of the staining apparatus may generally be controlled by means of a control element or perhaps a control means, typically a computer having a central processing unit and one or more memory units associated therewith, an control element or perhaps a means for controlling the various operations of the apparatus by controlling  
15 stepper motors, solenoids, valves and/or other drive or control parts of the apparatus. The control means may have one or more data communication ports for enabling data communication with external computers by wire or wireless. The control means does not have to be physically arranged within the apparatus itself but may be a computer external to the staining apparatus and connected to the apparatus via a data transmission port  
20 thereof.

The operation of the staining apparatus will generally be controlled by means of control means, typically a computer having a central processing unit and one or more memory unit associated therewith, means for controlling the various operations of the  
25 apparatus by controlling stepper motors, solenoids, valves and/or other drive or control parts of the apparatus. The control means may have one or more data communication ports for enabling data communication with external computers by wire or wireless elements. The control element or perhaps means does not have to be physically arranged within the apparatus itself but may be a computer external to the staining apparatus and  
30 connected to the apparatus via a data transmission port thereof.

The present invention also relates to a method of fully automated treating of samples arranged on carrier elements by means of a staining apparatus controlled by means of a control element or means, wherein the method comprises the steps of situating  
35 a plurality of carrier means intermediately in a carrier means station, each carrier means

having a sample arranged thereon, applying a portion of a first reagent selected from a plurality of reagents to a mixing cup, applying a portion of a second reagent selected from a plurality of reagents to the mixing cup, mixing the reagents in the mixing cup by means of mixing means, moving a probe to the mixing cup by means of a probe drive means,  
5 removing a portion of the mixed reagents from the mixing cup by means of the probe, moving the probe to a selected one of said carrier means, and applying the mixed reagents to the selected carrier means, so as to perform a treatment of the sample arranged on the selected carrier means.

10 The present invention further relates to the use of an apparatus of the present invention as described above for exercising the method of the present invention.

The embodiment shown in the figures and described in details below is only an example of an apparatus in accordance with the present invention and is not limiting the  
15 wider scope of the invention as described in the enclosed claims.

As shown in figure 6, a detailed description of one embodiment of this aspect of the invention involves staining apparatus 201. The staining apparatus 201 may comprise a rectangular frame 204 surrounding a first station 202 comprising an array of  
20 compartments wherein each compartment a reagent vial 203 is placed, and a second station 205 wherein a number of separate racks 206 is placed, and where each rack may comprise a number of slides 207 mounted side by side in the rack 206. In the embodiment shown, each rack may hold up to 17 slides, but the rack may be designed to hold any suitable number of slides. With eight racks arranged side by side, the shown  
25 embodiments may hold up to 136 slides 207 each having a sample, e.g. a tissue mounted on the upper side of the slide, so that reagent may be applied from above to the sample on each slide.

A robot arm to move a probe 210 in X and Y direction as indicated by the arrows  
30 X and Y may be arranged above the frame 204 of the staining apparatus. The robot arm may therefore position the probe 210 above all reagent containers 203 as well as above all the slides 207, and may further operate the probe 210 to remove portions of a reagent contained in any of the containers 203, to transfer the portion of reagent and apply it to any of the slides 207 in order to provide a selected staining or treatment of the sample on  
35 each slide 207. By use of a suitable control element, e.g. a computer having the

appropriate software, subroutines, or input data for the purpose, this staining apparatus 201 may be able to automatically stain or treat samples requiring different staining or treatment reagents and processes.

5           Having the appropriate input data, the control element or perhaps means of the apparatus may operate the robot arm to commence a staining or treatment run by moving the probe to a first reagent container 203, into which the probe tip is inserted and liquid is aspirated up into the probe 210 in an amount corresponding to the number of samples to be stained or treated, in accordance with the input data provided to the control element.  
10   Additionally, under certain conditions, the instrument may be required to perform a reagent inventory before a staining or treatment run can commence. This inventory may be accomplished by use of the probe tip to actually touch the liquid surface in each reagent vial 203. To prevent cross-contamination between the reagents in the various containers 203, a cleaning of the probe 210 or at least the probe tip may be required after  
15   each measurement of a reagent level.

The probe 210 may be moved by the robot arm towards the slide retainment assembly 205 in which the slides 207 are mounted. The slides 207 may be situated with the surface horizontally oriented and the probe 124 may dispense the required amount of  
20   reagent on the appropriate slides in accordance with the input data. Alternatively, the probe 124 may be moved by the robot arm towards the reagent mixer 209 where it may release reagent into the cup of the reagent mixer 209, and may be subsequently moved to the probe washing station 208. The robot arm may move the new clean probe to a second selected reagent vial 203 for collecting a selected amount of reagent from the second vial  
25   203, and the probe may thereafter by means of the robot arm be moved to the reagent mixer 209, where the reagent in the probe 210 may be released into the cup of the mixer containing the first selected reagent. This may be commenced several times if more than two reagents are to be mixed for a specific staining or treatment process.

30           An object of the present invention is to provide a staining apparatus and a method for automatic staining of samples, in which the total process time for completing or even entering the staining protocol may be reduced. In particular, it is an object of this aspect of the invention to reduce the amount of time needed in general.



As can be easily understood from the foregoing, the basic concepts of the present invention may be embodied in a variety of ways. It involves both sample processing techniques as well as various systems, assemblies, and devices to accomplish sample processing, input, and other functions. In this application, the sample processing techniques are also disclosed as part of the results shown to be achieved by the various systems, assemblies, and devices described and as steps which are inherent to utilization. They should be understood to be the natural result of utilizing the devices as intended and described. In addition, while some devices are disclosed, it should be understood that these not only accomplish certain methods but also can be varied in a number of ways. Importantly, as to all of the foregoing, all of these facets should be understood to be encompassed by this disclosure.

The discussion included in this application is intended to serve as a basic description. The reader should be aware that the specific discussion may not explicitly describe all embodiments possible; many alternatives are implicit. It also may not fully explain the generic nature of the invention and may not explicitly show how each feature or element can actually be representative of a broader function or of a great variety of alternative or equivalent elements. Again, these are implicitly included in this disclosure. Where the invention is described in device-oriented terminology, each element of the device implicitly performs a function. Importantly, neither the description nor the terminology is intended to limit the scope of the claims which may be included at any time.

It should also be understood that a variety of changes may be made without departing from the essence of the invention. Such changes are also implicitly included in the description. They still fall within the scope of this invention. A broad disclosure encompassing both the explicit embodiment(s) shown, the great variety of implicit alternative embodiments, and the broad methods or processes and the like are encompassed by this disclosure and may be relied upon at any time.

Further, each of the various elements of the invention and claims may also be achieved in a variety of manners. This disclosure should be understood to encompass each such variation, be it a variation of an embodiment of any apparatus embodiment, a method or process embodiment, or even merely a variation of any element of these. Particularly, it should be understood that as the disclosure relates to elements of the

invention, the words for each element may be expressed by equivalent apparatus terms or method terms -- even if only the function or result is the same. Such equivalent, broader, or even more generic terms should be considered to be encompassed in the description of each element or action. Such terms can be substituted where desired to make explicit the implicitly broad coverage to which this invention is entitled. As but one example, it should be understood that all actions may be expressed as a means for taking that action or as an element which causes that action. Similarly, each physical element disclosed should be understood to encompass a disclosure of the action which that physical element facilitates. Regarding this last aspect, as but one example, the disclosure of a “retention element” should be understood to encompass disclosure of the act of “retaining” -- whether explicitly discussed or not -- and, conversely, were there effectively disclosure of the act of “retaining”, such a disclosure should be understood to encompass disclosure of a “retention element” and even a “means for retaining”. It should also be understood that in jurisdictions where specific language may be construed as limiting, as but one example in the United States where some interpretations of “means for” elements can be construed narrowly, broader equivalent language may be used and should be understood as encompassed by this specification. Such changes and alternative terms are to be understood to be explicitly included in the description.

Any patents, patent applications, publications, or other references mentioned in this application for patent are hereby incorporated by reference. In addition, as to each term used it should be understood that unless its utilization in this application is inconsistent with such interpretation, common dictionary definitions should be understood as incorporated for each term and all definitions, alternative terms, and synonyms such as contained in the Random House Webster’s Unabridged Dictionary, second edition are hereby incorporated by reference as well as the definitions presented by searchStorage.com, such to be considered as representing the meaning of the terms as understood by computer professionals. Finally, any priority case for this application is hereby appended and hereby incorporated by reference.

Thus, the applicant(s) should be understood to have support to claim at least: i) each of the sample processing systems and subsystems as herein disclosed and described, ii) the related methods disclosed and described, iii) similar, equivalent, and even implicit variations of each of these systems, assemblies, devices and methods, iv) those alternative designs which accomplish each of the functions shown as are disclosed and described, v)

those alternative designs and methods which accomplish each of the functions shown as are implicit to accomplish that which is disclosed and described, vi) each feature, component, and step shown as separate and independent inventions, vii) the applications enhanced by the various systems or components disclosed, viii) the resulting products  
5 produced by such systems or components, and ix) methods and systems, assemblies, devices, and apparatuses substantially as described hereinbefore and with reference to any of the accompanying examples, x) the various combinations and permutations of each of the elements disclosed, xi) each potentially dependent claim or concept as a dependency on each and every one of the independent claims or concepts presented, xii) processes  
10 performed with the aid of or on a computer as described throughout the above discussion, xiii) a programmable system as described throughout the above discussion, xiv) a computer readable memory encoded with data to direct a computer comprising means or elements which function as described throughout the above discussion, xv) a computer configured as herein disclosed and described, xvi) individual or combined subroutines  
15 and programs as herein disclosed and described, xvii) the related methods disclosed and described, xviii) similar, equivalent, and even implicit variations of each of these systems and methods, xix) those alternative designs which accomplish each of the functions shown as are disclosed and described, xx) those alternative designs and methods which accomplish each of the functions shown as are implicit to accomplish that which is  
20 disclosed and described, xxi) each feature, component, and step shown as separate and independent inventions, and xxii) the various combinations and permutations of each of the above.

Further, if or when used, the use of the transitional phrase “comprising” or the like  
25 is used to maintain the “open-end” claims herein, according to traditional claim interpretation. Thus, unless the context requires otherwise, it should be understood that the term “comprise” or variations such as “comprises” or “comprising” or the like, are intended to imply the inclusion of a stated element or step or group of elements or steps but not the exclusion of any other element or step or group of elements or steps. Such  
30 terms should be interpreted in their most expansive form so as to afford the applicant the broadest coverage legally permissible.

Any claims set forth at any time are hereby incorporated by reference as part of this description of the invention, and the applicant expressly reserves the right to use all  
35 of or a portion of such incorporated content of such claims as additional description to

support any of or all of the claims or any element or component thereof, and the applicant further expressly reserves the right to move any portion of or all of the incorporated content of such claims or any element or component thereof from the description into the claims or vice-versa as necessary to define the matter for which protection is sought by  
5 this application or by any subsequent continuation, division, or continuation-in-part application thereof, or to obtain any benefit of, reduction in fees pursuant to, or to comply with the patent laws, rules, or regulations of any country or treaty, and such content incorporated by reference shall survive during the entire pendency of this application including any subsequent continuation, division, or continuation-in-part application  
10 thereof or any reissue or extension thereon.

## CLAIMS

What is claimed is:

- 5 1. A method of automated sample processing comprising the steps of:  
establishing an automated sample processing system having an automated process  
operation capability that causes automated process operation events through  
robotic sample process functions;  
inputting a plurality of desired sample process operations;  
10 adaptably scheduling robotic sample process functions for an initial aggregated  
event topology;  
commencing initial automatic processing, through operation of said robotic  
sample process functions, of said initial aggregated event topology;  
altering at least one aspect of said initial aggregated event topology to create an  
15 altered aggregated event topology;  
adaptably scheduling robotic sample process functions for said altered aggregated  
event topology;  
interrupting said initial automatic processing of said initial aggregated event  
topology; and  
20 continuing revised automatic processing, through operation of said robotic sample  
process functions, of said altered aggregated event topology.
2. A method of automated sample processing as described in claim 1 wherein said  
step of establishing an automated sample processing system having an automated  
25 process operation capability that causes automated process operation events  
through robotic sample process functions comprises the step of establishing an  
automated slide processing system.
3. A method of automated sample processing as described in claim 2 wherein said  
30 step of automatically processing at least one sample comprises the steps of:  
arranging a plurality of slides on a carrier retainment assembly;  
applying a reagent to said plurality of slides; and  
automatically staining said plurality of slides.

4. A method of automated sample processing as described in claim 3 wherein said step of establishing an automated sample processing system having an automated process operation capability that causes automated process operation events through robotic sample process functions comprises the steps of:
- 5 establishing a plurality of automated slide stainers; and  
electronically connecting said plurality of automated slide stainers.
5. A method of automated sample processing as described in claim 4 wherein said step of establishing an automated sample processing system comprises the steps of:
- 10 establishing a stand alone automated slide processing system;  
utilizing a separate full function computer programmed to respond to said stand alone automated slide processing system; and  
electronically connecting said separate full function computer to said stand alone  
15 automated slide processing system.
6. A method of automated sample processing as described in claim 5 and further comprising the step of establishing a local area network electronically connected to said automated sample processing system.
- 20
7. A method of automated sample processing as described in claim 4 wherein said step of adaptably scheduling robotic sample process functions for an initial aggregated event topology comprises the step of separately adaptably scheduling robotic sample process functions for each of said plurality of automated slide  
25 stainers.
8. A method of automated sample processing as described in claim 1 or 3 wherein said step of adaptably scheduling robotic sample process functions for an initial aggregated event topology comprises the step of automatically creating a plurality  
30 of varied-parameter robotic control indicium, each for said same aggregated event topology.
9. A method of automated sample processing as described in claim 1 or 8 wherein said step of adaptably scheduling robotic sample process functions for said altered  
35 aggregated event topology comprises the step of automatically creating a plurality

of varied-parameter robotic control indicium, each for said same aggregated event topology.

10. A method of automated sample processing as described in claim 9 and further  
5 comprising the step of accomplishing enhanced temporal scheduling of a plurality of sample process steps.
11. A method of automated sample processing as described in claim 10 wherein said  
10 step of accomplishing enhanced temporal scheduling of a plurality of sample process steps comprises the step of comparing said indicium.
12. A method of automated sample processing as described in claim 8 or 9 wherein  
15 said step of automatically creating a plurality of varied-parameter robotic control indicium comprises the step of automatically creating a plurality of varied-parameter robotic control indicium using a parameter selected from a group consisting of:  
a substance priority parameter, a reagent grouping parameter, a robotic movement parameter, a sample location priority parameter, a sample proximity priority parameter, a sample insert time priority parameter, a user input parameter, a user  
20 priority parameter, a sample time since last processing priority parameter, a time-based priority value parameter, and a sample weighting parameter.
13. A method of automated sample processing as described in claim 8 or 9 wherein  
25 said step of automatically creating a plurality of varied-parameter robotic control indicium comprises the steps of:  
automatically creating a sample time since last processing priority parameter robotic control indicium;  
automatically creating a robotic movement parameter robotic control indicium;  
and  
30 automatically creating a substance priority parameter robotic control indicium.
14. A method of automated sample processing as described in claim 1, 3, or 8 and further comprising the step of not completing said initial automatic processing.

15. A method of automated sample processing as described in claim 14 wherein said steps of altering at least one aspect of said initial aggregated event topology to create an altered aggregated event topology and adaptably scheduling robotic sample process functions for said altered aggregated event topology are both accomplished while said step of initial automatic processing is occurring.
16. A method of automated sample processing as described in claim 1 or 3 wherein said step of interrupting said initial automatic processing of said initial aggregated event topology occurs while said step of initial automatic processing is occurring.
17. A method of automated sample processing as described in claim 16 wherein said step of interrupting said initial automatic processing of said initial aggregated event topology comprises the step of seamlessly interrupting said initial automatic processing of said initial aggregated event topology.
18. A method of automated sample processing as described in claim 1, 3, or 8 wherein said step of adaptably scheduling robotic sample process functions for an initial aggregated event topology comprises the step of
19. A method of automated sample processing as described in claim 1 or 18 wherein said step of adaptably scheduling robotic sample process functions for said altered aggregated event topology comprises the step of creating an interspersial robotic control functionality.
20. A method of automated sample processing as described in claim 19 wherein said step of creating an interspersial robotic control functionality comprises the step of interleaving a plurality of process operations.
21. A method of automated sample processing as described in claim 19 wherein said step of creating an interspersial robotic control functionality comprises the step of sequencing a plurality of individual sample operations.
22. A method of automated sample processing as described in claim 1, 3, 8, or 14 wherein said step of altering at least one aspect of said initial aggregated event topology to create an altered aggregated event topology comprises the step of



- 5 altering the aggregate of said aggregated event topology and wherein said step of altering the aggregate of said aggregated event topology causes said steps of adaptably scheduling robotic sample process functions for said altered aggregated event topology and interrupting said initial automatic processing of said initial aggregated event topology to occur.
- 10 23. A method of automated sample processing as described in claim 1, 3, 8, or 14 wherein said step of altering at least one aspect of said initial aggregated event topology to create an altered aggregated event topology comprises the step of altering the topology of said aggregated event topology and wherein said step of altering the topology of said aggregated event topology causes said steps of adaptably scheduling robotic sample process functions for said altered aggregated event topology and interrupting said initial automatic processing of said initial aggregated event topology to occur.
- 15 24. A method of automated sample processing as described in claim 1, 3, 8, or 14 and further comprising the step of sensing an operator access event and wherein said step of sensing an operator access event causes said steps of adaptably scheduling robotic sample process functions for said altered aggregated event topology and interrupting said initial automatic processing of said initial aggregated event topology to occur.
- 20 25. A method of automated sample processing as described in claim 1, 3, 8, or 14 and further comprising the step of accepting a user change and wherein said step of accepting a user change causes said steps of adaptably scheduling robotic sample process functions for said altered aggregated event topology and interrupting said initial automatic processing of said initial aggregated event topology to occur.
- 25 26. A method of automated sample processing as described in claim 1 or 3 and further comprising the step of automatically prompting an operator action needed for said automatic processing to occur.
- 30 27. A method of automated sample processing as described in claim 1 or 3 and further comprising the step of repetitively automatically checking if an operator action is needed for said automatic processing to occur.
- 35

28. A method of automated sample processing as described in claim 1 or 3 and further comprising the step of providing real time status information relative to said automatic processing.
- 5
29. A method of automated sample processing as described in claim 1 or 3 and further comprising the step of providing pending sample information relative to said automatic processing.
- 10 30. A method of automated sample processing as described in claim 1 or 3 and further comprising the step of providing a real time completion estimate for an aspect of said automatic processing.
- 15 31. A method of automated sample processing as described in claim 1 or 3 and further comprising the step of mixing a substance for use in said automatic processing based on said steps of either adaptably scheduling robotic sample process functions for an initial aggregated event topology or adaptably scheduling robotic sample process functions for said altered aggregated event topology.
- 20 32. A method of automated sample processing as described in claim 1 or 3 wherein said step of establishing an automated sample processing system comprises the step of providing at least one substance in a lockable reagent retainment assembly and further comprising the step of providing said lockable reagent retainment element in a generally unlocked state.
- 25
33. An automated sample processing system comprising:  
at least one sample;  
a robotic motion system to which said at least one sample is responsive;  
an aggregated sample process input;  
30 an initial adaptive schedule functionality to which said robotic motion system is at least in part initially responsive;  
an aggregated event topology alteration element that acts while said initial adaptive schedule functionality is operating;  
an second adaptive schedule functionality to which said robotic motion system is  
35 at least in part initially responsive, that is responsive to said aggregated event

- topology alteration element, and that acts while said initial adaptive schedule functionality is operating;
- an initial adaptive schedule functionality interrupt responsive to said second adaptive schedule functionality; and
- 5 a process continuation functionality responsive to said initial adaptive schedule functionality interrupt, and to which said robotic motion system is responsive.
34. An automated sample processing system as described in claim 33 wherein said at least one sample comprises a biological sample arranged on a slide.
- 10
35. An automated sample processing system as described in claim 34 and further comprising:
- a plurality of slides on a carrier element retainment assembly;
- at least one reagent container; and
- 15 a slide stain element configured to act upon said plurality of slides.
36. An automated sample processing system as described in claim 35 and further comprising:
- a plurality of automated slide stainers; and
- 20 an electronic connection to said plurality of automated slide stainers.
37. An automated sample processing system as described in claim 36 and further comprising:
- a separate full function computer programmed to respond to said stand alone automated slide processing system; and
- 25 an electronic connection between said separate full function computer and said stand alone automated slide processing system.
38. An automated sample processing system as described in claim 37 and further comprising a local area network electronically connected to said stand alone automated slide processing system.
- 30
39. An automated sample processing system as described in claim 36 wherein said initial adaptive schedule functionality to which said robotic motion system is at least in part initially responsive and said second adaptive schedule functionality to
- 35

which said robotic motion system is at least in part initially responsive each comprise a separate adaptive scheduling functionality for each of said plurality of automated slide stainers.

- 5 40. An automated sample processing system as described in claim 33 or 35 wherein said initial adaptive schedule functionality to which said robotic motion system is at least in part initially responsive comprises a plurality of varied-parameter robotic control simulation functionalities.
- 10 41. An automated sample processing system as described in claim 33 or 40 wherein said second adaptive schedule functionality to which said robotic motion system is at least in part initially responsive comprises a plurality of varied-parameter robotic control simulation functionalities.
- 15 42. An automated sample processing system as described in claim 41 and further comprising an enhanced temporal scheduler element.
43. An automated sample processing system as described in claim 42 wherein said enhanced temporal scheduler element comprises a robotic control simulation results comparator.
- 20
44. An automated sample processing system as described in claim 40 or 41 wherein said plurality of varied-parameter robotic control simulation functionalities comprise a plurality of varied-parameter robotic control simulation functionalities programmed to use a parameter selected from a group consisting of:  
a substance priority parameter, a reagent grouping parameter, a robotic movement parameter, a sample location priority parameter, a sample proximity priority parameter, a sample insert time priority parameter, a user input parameter, a user priority parameter, a sample time since last processing priority parameter, a time-based priority value parameter, and a sample weighting parameter.
- 25
- 30
45. An automated sample processing system as described in claim 40 or 41 wherein said plurality of varied-parameter robotic control simulation functionalities comprise:

a sample time since last processing priority parameter robotic control simulation functionality;

a robotic movement parameter robotic control simulation functionality; and

a substance priority parameter robotic control simulation functionality.

5

46. An automated sample processing system as described in claim 33 wherein said initial adaptive schedule functionality interrupt comprises a seamless initial adaptive schedule functionality interrupt.

10 47. An automated sample processing system as described in claim 33, 35, or 40 wherein said initial adaptive schedule functionality to which said robotic motion system is at least in part initially responsive comprises an interspersial robotic control element.

15 48. An automated sample processing system as described in claim 33 or 47 wherein said second adaptive schedule functionality to which said robotic motion system is at least in part initially responsive comprises an interspersial robotic control element.

20 49. An automated sample processing system as described in claim 48 wherein said interspersial robotic control element comprises an individual sample operations interleave element.

25 50. An automated sample processing system as described in claim 48 wherein said interspersial robotic control element comprises an individual sample operations sequence element.

30 51. An automated sample processing system as described in claim 33, 35, or 40 and further comprising an operator access event sensor to which said second adaptive schedule functionality is responsive.

52. An automated sample processing system as described in claim 33 or 35 and further comprising an automatically operator need prompt.

53. An automated sample processing system as described in claim 33 or 35 and further comprising a real time status information element.
54. An automated sample processing system as described in claim 33 or 35 and further comprising a pending sample information element.
55. An automated sample processing system as described in claim 33 or 35 and further comprising a real time completion estimate element.
56. An automated sample processing system as described in claim 33 or 35 and further comprising a substance mixer that is responsive to said initial adaptive schedule functionality and said second adaptive schedule functionality.
57. An automated sample processing system as described in claim 33 or 35 and further comprising a lockable reagent retainment assembly.
58. An automated sample processing system as described in claim 57 wherein said lockable reagent retainment assembly comprises a generally unlocked reagent retainment assembly.
59. A method of automated sample processing comprising the steps of:  
establishing an automated sample processing system having an automated process operation capability that causes automated process operation events through robotic sample process functions;  
scheduling a plurality of sample process operations for a given aggregated event topology;  
automatically creating a plurality of varied-parameter robotic control indicium, each for said same aggregated event topology;  
comparing said plurality of robotic control indicium;  
generating a preferred robotic control functionality; and  
automatically processing at least one sample through operation of said robotic sample process functions and acting in accordance with said preferred robotic control functionality.

60. A method of automated sample processing as described in claim 59 wherein said step of automatically creating a plurality of varied-parameter robotic control indicium comprises the steps of:  
automatically create a first control indicium for said aggregated event topology;  
5 calculating a first resultant based on said first control indicium;  
automatically create a second control indicium for said aggregated event topology;  
and  
calculating a second resultant based on said second control indicium.
- 10 61. A method of automated sample processing as described in claim 60 wherein said step of automatically creating a plurality of varied-parameter robotic control indicium further comprises the steps of:  
automatically create a third control indicium for said aggregated event topology;  
and  
15 calculating a third resultant based on said first control indicium.
62. A method of automated sample processing as described in claim 59 wherein said step of establishing an automated sample processing system having an automated process operation capability that causes automated process operation events  
20 through robotic sample process functions comprises the step of establishing an automated slide processing system.
63. A method of automated sample processing as described in claim 62 wherein said step of automatically processing at least one sample comprises the steps of:  
25 arranging a plurality of slides on a carrier retainment assembly;  
applying a reagent to said plurality of slides; and  
automatically staining said plurality of slides.
64. A method of automated sample processing as described in claim 63 wherein said  
30 step of establishing an automated sample processing system having an automated process operation capability that causes automated process operation events through robotic sample process functions comprises the steps of:  
establishing a plurality of automated slide stainers; and  
electronically connecting said plurality of automated slide stainers.
- 35

65. A method of automated sample processing as described in claim 64 wherein said step of establishing an automated sample processing system comprises the steps of:
- establishing a stand alone automated slide processing system;
- 5 utilizing a separate full function computer programmed to respond to said stand alone automated slide processing system; and
- electronically connecting said separate full function computer to said stand alone automated slide processing system.
- 10 66. A method of automated sample processing as described in claim 65 and further comprising the step of establishing a local area network electronically connected to said automated sample processing system.
67. A method of automated sample processing as described in claim 59, 61, or 63
- 15 wherein said step of automatically creating a plurality of varied-parameter robotic control indicium comprises the step of automatically creating a plurality of varied-parameter robotic control indicium using a parameter selected from a group consisting of:
- a substance priority parameter, a reagent grouping parameter, a robotic movement
- 20 parameter, a sample location priority parameter, a sample proximity priority parameter, a sample insert time priority parameter, a user input parameter, a user priority parameter, a sample time since last processing priority parameter, a time-based priority value parameter, and a sample weighting parameter.
- 25 68. A method of automated sample processing as described in claim 59, 61, or 63 wherein said step of automatically creating a plurality of varied-parameter robotic control indicium comprises the steps of:
- automatically creating a sample time since last processing priority parameter robotic control indicium;
- 30 automatically creating a robotic movement parameter robotic control indicium; and
- automatically creating a substance priority parameter robotic control indicium.



69. A method of automated sample processing as described in claim 59, 61, or 63 and further comprising the step of accomplishing enhanced temporal scheduling of a plurality of sample process steps.
- 5 70. A method of automated sample processing as described in claim 59, 61, or 63 wherein said step of comparing said plurality of robotic control indicium comprises the step of accomplishing enhanced temporal scheduling of a plurality of sample process steps.
- 10 71. A method of automated sample processing as described in claim 69 wherein said step of accomplishing enhanced temporal scheduling of a plurality of sample process steps comprises the step of comparing processing time indicium.
72. A method of automated sample processing as described in claim 69 wherein said  
15 step of comparing said plurality of robotic control indicium comprises the step of comparing completion time estimates.
73. A method of automated sample processing as described in claim 69 wherein said  
20 step of comparing said plurality of robotic control indicium comprises the step of comparing substance cost estimates.
74. A method of automated sample processing as described in claim 69 wherein said  
25 step of comparing said plurality of robotic control indicium comprises the step of comparing sample priority assignments.
75. A method of automated sample processing as described in claim 59 wherein said  
30 step of automatically creating a plurality of varied-parameter robotic control indicium comprises the step of automatically creating an initial robotic control indicium, wherein said step of generating a preferred robotic control functionality comprises the step of generating an initially preferred robotic control  
35 functionality, and wherein said step of automatically processing at least one sample through operation of said robotic sample process functions and acting in accordance with said preferred robotic control functionality comprises the step of automatically processing at least one sample through operation of said robotic sample process functions and acting in accordance with said initially preferred

robotic control functionality, and wherein said step of automatically creating a plurality of varied-parameter robotic control indicium thereafter comprises the step of automatically creating an second robotic control indicium, wherein said step of generating a preferred robotic control functionality thereafter comprises the step of generating an second preferred robotic control functionality, and  
5 wherein said step of automatically processing at least one sample through operation of said robotic sample process functions thereafter comprises the step of automatically processing at least one sample through operation of said robotic sample process functions and acting in accordance with said second preferred robotic control functionality.  
10

76. A method of automated sample processing as described in claim 59 wherein said step of comparing said plurality of robotic control indicium comprises the step of conducting a qualitative analysis of said robotic control indicium.  
15

77. A method of automated sample processing as described in claim 76 wherein said step of conducting a qualitative analysis of said robotic control indicium comprises the step of conducting a qualitative analysis of said robotic control indicium using parameters selected from a group consisting of:  
20 an amount of substance used parameter, a sample time under buffer parameter, and an extra amount of buffer used parameter.

78. An automated sample processing system comprising:  
at least one sample;  
25 a robotic motion system to which said at least one sample is responsive;  
an aggregated sample process input;  
a plurality of varied-parameter robotic control simulation functionalities responsive to said aggregated sample process input;  
an automated process simulator comparator responsive to said plurality of varied-parameter robotic control functionalities;  
30 a preferred functionality robotic control generator responsive to said automated process simulator comparator; and  
an automated process functionality responsive to said preferred functionality robotic control generator, and to which said robotic motion system is responsive.  
35

79. An automated sample processing system as described in claim 78 wherein said plurality of varied-parameter robotic control simulation functionalities comprises: a first control simulation functionality; and a second control simulation functionality.
- 5
80. An automated sample processing system as described in claim 79 wherein said plurality of varied-parameter robotic control simulation functionalities further comprises a third control simulation functionality.
- 10
81. An automated sample processing system as described in claim 78 wherein said at least one sample comprises a biological sample arranged on a slide.
82. An automated sample processing system as described in claim 81 and further comprising:
- 15 a plurality of slides on a carrier element retainment assembly; at least one reagent container; and a slide stain element configured to act upon said plurality of slides.
83. An automated sample processing system as described in claim 82 and further comprising:
- 20 a plurality of automated slide stainers; and an electronic connection to said plurality of automated slide stainers.
84. An automated sample processing system as described in claim 83 and further comprising:
- 25 a separate full function computer programmed to respond to said stand alone automated slide processing system; and an electronic connection between said separate full function computer and said stand alone automated slide processing system.
- 30
85. An automated sample processing system as described in claim 84 and further comprising a local area network electronically connected to said stand alone automated slide processing system.

86. An automated sample processing system as described in claim 78, 80, or 82 wherein said plurality of varied-parameter robotic control simulation functionalities comprise a plurality of varied-parameter robotic control simulation functionalities programmed to use a parameter selected from a group consisting of:
- 5 of:  
a substance priority parameter, a reagent grouping parameter, a robotic movement parameter, a sample location priority parameter, a sample proximity priority parameter, a sample insert time priority parameter, a user input parameter, a user priority parameter, a sample time since last processing priority parameter, a time-based priority value parameter, and a sample weighting parameter.
- 10
87. An automated sample processing system as described in claim 78, 80, or 82 wherein said plurality of varied-parameter robotic control simulation functionalities comprise:
- 15 a sample time since last processing priority parameter robotic control simulation functionality;  
a robotic movement parameter robotic control simulation functionality; and  
a substance priority parameter robotic control simulation functionality.
- 20
88. An automated sample processing system as described in claim 78, 80, 82, or 86 wherein said automated process simulator comparator responsive to said plurality of varied-parameter robotic control functionalities comprises an enhanced temporal scheduler element.
- 25
89. An automated sample processing system as described in claim 78, 80, 82, or 86 and further comprising an enhanced temporal scheduler element.
90. An automated sample processing system as described in claim 88 wherein said enhanced temporal scheduler element comprises a robotic control simulation results comparator.
- 30
91. An automated sample processing system as described in claim 88 wherein said automated process simulator comparator comprises a completion time estimate comparator.
- 35

92. An automated sample processing system as described in claim 88 wherein said automated process simulator comparator comprises a substance cost estimate comparator.
- 5 93. An automated sample processing system as described in claim 88 wherein said automated process simulator comparator comprises a sample priority assignment comparator.
94. An automated sample processing system as described in claim 78 wherein said  
10 automated process simulator comparator comprises a repetitive process simulator comparator.
95. An automated sample processing system as described in claim 78 wherein said  
15 automated process simulator comparator comprises a qualitative analysis comparator.
96. An automated sample processing system as described in claim 95 wherein said qualitative analysis comparator comprises a qualitative analysis comparator programmed to compare parameters selected from a group consisting of:  
20 an amount of substance used parameter, a sample time under buffer parameter, and an extra amount of buffer used parameter.
97. A method of automated sample processing comprising the steps of:  
25 establishing an automated sample processing system having an automated process operation capability that causes automated process operation events through robotic sample process functions;  
automatically creating a plurality of varied-parameter robotic control indicium, each for said same aggregated event topology;  
30 displaying a user selection upon completion of said step of automatically creating a plurality of varied-parameter robotic control indicium, each for said same aggregated event topology;  
accepting a user selection relative to said plurality of robotic control indicium;  
generating a user-selected robotic control functionality for said aggregated event topology; and

automatically processing at least one sample through operation of said robotic sample process functions and acting in accordance with said user-selected robotic control functionality.

- 5 98. A method of automated sample processing as described in claim 97 wherein said step of establishing an automated sample processing system having an automated process operation capability that causes automated process operation events through robotic sample process functions comprises the step of establishing an automated slide processing system.
- 10
99. A method of automated sample processing as described in claim 98 wherein said step of automatically processing at least one sample comprises the steps of:  
arranging a plurality of slides on a carrier retainment assembly;  
applying a reagent to said plurality of slides; and  
15 automatically staining said plurality of slides.
100. A method of automated sample processing as described in claim 99 wherein said step of establishing an automated sample processing system having an automated process operation capability that causes automated process operation events  
20 through robotic sample process functions comprises the steps of:  
establishing a plurality of automated slide stainers; and  
electronically connecting said plurality of automated slide stainers.
101. A method of automated sample processing as described in claim 100 wherein said  
25 step of establishing an automated sample processing system comprises the steps of:  
of:  
establishing a stand alone automated slide processing system;  
utilizing a separate full function computer programmed to respond to said stand  
alone automated slide processing system; and  
30 electronically connecting said separate full function computer to said stand alone  
automated slide processing system.
102. A method of automated sample processing as described in claim 101 and further  
35 comprising the step of establishing a local area network electronically connected  
to said automated sample processing system.

103. A method of automated sample processing as described in claim 99 wherein said step of displaying a user selection comprises the step of displaying a suggested user selection.
- 5
104. A method of automated sample processing as described in claim 103 wherein said step of displaying a suggested user selection comprises the step of displaying a temporally enhanced suggested user selection.
- 10 105. A method of automated sample processing as described in claim 99 wherein said step of displaying a user selection comprises the step of providing a user selection menu.
- 15 106. A method of automated sample processing as described in claim 99 and further comprising the step of accepting a user parameter input and wherein said step of displaying a user selection is responsive to said user parameter input.
- 20 107. A method of automated sample processing as described in claim 97 wherein said step of displaying a user selection comprises the step of displaying at least one suggested sample location.
- 25 108. A method of automated sample processing as described in claim 107 wherein said step of displaying at least one suggested sample location comprises the step of displaying a suggested sample drawer location.
- 30 109. A method of automated sample processing as described in claim 100, 101, or 102 wherein said step of displaying a user selection comprises the step of displaying at least one suggested sample location.
- 35 110. A method of automated sample processing as described in claim 109 wherein said step of displaying at least one suggested sample location comprises the step of displaying at least one suggested stainer location.
111. A method of automated sample processing as described in claim 97 wherein said step of automatically creating a plurality of varied-parameter robotic control

indicium comprises the step of automatically creating a plurality of inter machine schedule indicium.

112. An automated sample processing system comprising:  
5 at least one sample;  
a robotic motion system to which said at least one sample is responsive;  
an aggregated sample process input;  
a plurality of varied-parameter robotic control indicium creation functionalities responsive to said aggregated sample process input;  
10 an alternative system configuration display responsive to said plurality of varied-parameter robotic control indicium creation functionalities;  
a user selection element;  
a process robotic control functionality generator responsive to said user selection element; and  
15 an automated process functionality responsive to said process robotic control functionality generator, and to which said robotic motion system is responsive.
113. An automated sample processing system as described in claim 112 wherein said at least one sample comprises a biological sample arranged on a slide.  
20
114. An automated sample processing system as described in claim 113 and further comprising:  
i. a plurality of slides on a carrier element retainment assembly;  
ii. at least one reagent container; and  
25 iii. a slide stain element configured to act upon said plurality of slides.
115. An automated sample processing system as described in claim 114 and further comprising:  
a plurality of automated slide stainers; and  
30 an electronic connection to said plurality of automated slide stainers.
116. An automated sample processing system as described in claim 115 and further comprising:  
a separate full function computer programmed to respond to said stand alone  
35 automated slide processing system; and



an electronic connection between said separate full function computer and said stand alone automated slide processing system.

117. An automated sample processing system as described in claim 116 and further  
5 comprising a local area network electronically connected to said stand alone automated slide processing system.
118. An automated sample processing system as described in claim 114 wherein said  
10 alternative system configuration display comprises a suggested user selection element.
119. An automated sample processing system as described in claim 118 and further comprising a temporally enhanced suggested user selection element.
- 15 120. An automated sample processing system as described in claim 114 wherein said alternative system configuration display comprises a user selection menu.
121. An automated sample processing system as described in claim 114 and further  
20 comprising a user parameter input to which said alternative system configuration display is responsive.
122. An automated sample processing system as described in claim 112 wherein said  
25 alternative system configuration display comprises a suggested sample location element.
123. An automated sample processing system as described in claim 122 wherein said suggested sample location element comprises a suggested sample drawer location element.
- 30 124. An automated sample processing system as described in claim 115, 116, or 117 wherein said alternative system configuration display comprises a suggested sample location element.

125. An automated sample processing system as described in claim 124 wherein said suggested sample location element comprises a suggested stainer location element.
- 5 126. An automated sample processing system as described in claim 112 wherein said plurality of varied-parameter robotic control indicium creation functionalities comprise an inter machine schedule element.
127. A method of automated sample processing comprising the steps of:  
10 establishing an automated sample processing system having an automated process operation capability that causes automated process operation events through robotic sample process functions;  
inputting a plurality of desired sample process operations;  
scheduling a first plurality of sample process operations for an aggregated event  
15 topology;  
user altering said aggregated event topology;  
displaying at least some altered schedule information in response to said step of user altering said aggregated event topology;  
accepting a user selection in response to said step of displaying at least some  
20 altered schedule information;  
generating a user-selected robotic control functionality; and  
automatically processing at least one sample through operation of said robotic sample process functions and acting in accordance with said user-selected robotic control functionality.
- 25
128. A method of automated sample processing as described in claim 127 wherein said step of user altering said aggregated event topology occurs while said step of automatically processing at least one sample through operation of said robotic sample process functions is occurring.
- 30
129. A method of automated sample processing as described in claim 127 wherein said step of establishing an automated sample processing system having an automated process operation capability that causes automated process operation events through robotic sample process functions comprises the step of establishing an  
35 automated slide processing system.

130. A method of automated sample processing as described in claim 129 wherein said step of automatically processing at least one sample comprises the steps of:  
arranging a plurality of slides on a carrier retainment assembly;  
5 applying a reagent to said plurality of slides; and  
automatically staining said plurality of slides.
131. A method of automated sample processing as described in claim 130 wherein said  
10 step of establishing an automated sample processing system having an automated  
process operation capability that causes automated process operation events  
through robotic sample process functions comprises the steps of:  
establishing a plurality of automated slide stainers; and  
electronically connecting said plurality of automated slide stainers.
- 15 132. A method of automated sample processing as described in claim 131 wherein said  
step of establishing an automated sample processing system comprises the steps  
of:  
establishing a stand alone automated slide processing system;  
utilizing a separate full function computer programmed to respond to said stand  
20 alone automated slide processing system; and  
electronically connecting said separate full function computer to said stand alone  
automated slide processing system.
133. A method of automated sample processing as described in claim 132 and further  
25 comprising the step of establishing a local area network electronically connected  
to said automated sample processing system.
134. A method of automated sample processing as described in claim 127, 128, or 130  
30 wherein said step of user altering said aggregated event topology comprises the  
step of accepting a user change input.
135. A method of automated sample processing as described in claim 134 wherein said  
step of accepting a user change input comprises the step of accepting a temporary  
user change.

136. A method of automated sample processing as described in 127, 128, or 130 wherein said step of user altering said aggregated event topology comprises the step of adding a sample to said aggregated event topology.
- 5 137. A method of automated sample processing as described in claim 127, 128, or 130 wherein said step of user altering said aggregated event topology comprises the step of changing a sample in said aggregated event topology.
138. A method of automated sample processing as described in claim 127, 128, or 130  
10 wherein said step of displaying at least some altered schedule information comprises the step of displaying a synopsis of the effect due to said altered schedule information.
139. A method of automated sample processing as described in claim 127, 128, or 130  
15 wherein said step of displaying at least some altered schedule information comprises the step of displaying a temporal impact due to said altered schedule information.
140. A method of automated sample processing as described in claim 139 wherein said  
20 step of displaying a temporal impact due to said altered schedule information comprises the step of displaying an estimated temporal impact due to said altered schedule information.
141. A method of automated sample processing as described in claim 127, 128, or 130  
25 wherein said step of accepting a user selection comprises the step of activating a user change.
142. A method of automated sample processing as described in claim 127, 128, or 130  
30 wherein said step of accepting a user selection comprises the step of undoing a user change.
143. An automated sample processing system comprising:  
at least one sample;  
a robotic motion system to which said at least one sample is responsive;  
35 an aggregated sample process input;

- a schedule functionality to which said robotic motion system is responsive;  
an aggregated event topology alteration element;  
an alternative process functionality selection display responsive to said aggregated  
event topology alteration element;
- 5 a user selection element; and  
an automated process functionality responsive to said user selection element, and  
to which said robotic motion system is responsive.
144. An automated sample processing system as described in claim 143 wherein said  
10 aggregated event topology alteration element acts while said automated process  
functionality is operating.
145. An automated sample processing system as described in claim 143 wherein said at  
least one sample comprises a biological sample arranged on a slide.
- 15
146. An automated sample processing system as described in claim 145 and further  
comprising:  
a plurality of slides on a carrier element retainment assembly;  
at least one reagent container; and  
20 a slide stain element configured to act upon said plurality of slides.
147. An automated sample processing system as described in claim 146 and further  
comprising:  
a plurality of automated slide stainers; and  
25 an electronic connection to said plurality of automated slide stainers.
148. An automated sample processing system as described in claim 147 and further  
comprising:  
a separate full function computer programmed to respond to said stand alone  
30 automated slide processing system; and  
an electronic connection between said separate full function computer and said  
stand alone automated slide processing system.

149. An automated sample processing system as described in claim 148 and further comprising a local area network electronically connected to said stand alone automated slide processing system.
- 5 150. An automated sample processing system as described in claim 143, 144, or 146 and further comprising an input change detector to which said alternative process functionality selection display is responsive.
- 10 151. An automated sample processing system as described in claim 150 wherein said aggregated event topology alteration element comprises a temporary user change element.
- 15 152. An automated sample processing system as described in claim 143, 144, or 146 wherein said aggregated event topology alteration element comprises a sample addition element.
- 20 153. An automated sample processing system as described in claim 143, 144, or 146 wherein said aggregated event topology alteration element comprises a sample change element.
- 25 154. An automated sample processing system as described in claim 143, 144, or 146 wherein said alternative process functionality selection display comprises a effect synopsis display element.
- 30 155. An automated sample processing system as described in claim 143, 144, or 146 wherein said alternative process functionality selection display comprises a temporal impact display element.
- 35 156. An automated sample processing system as described in claim 155 wherein said temporal impact display element comprises an estimated temporal impact display element.
157. An automated sample processing system as described in claim 143, 144, or 146 wherein said user selection element comprises a user change activation element.

158. An automated sample processing system as described in claim 143, 144, or 146 wherein said user selection element comprises a user change undo element.

5

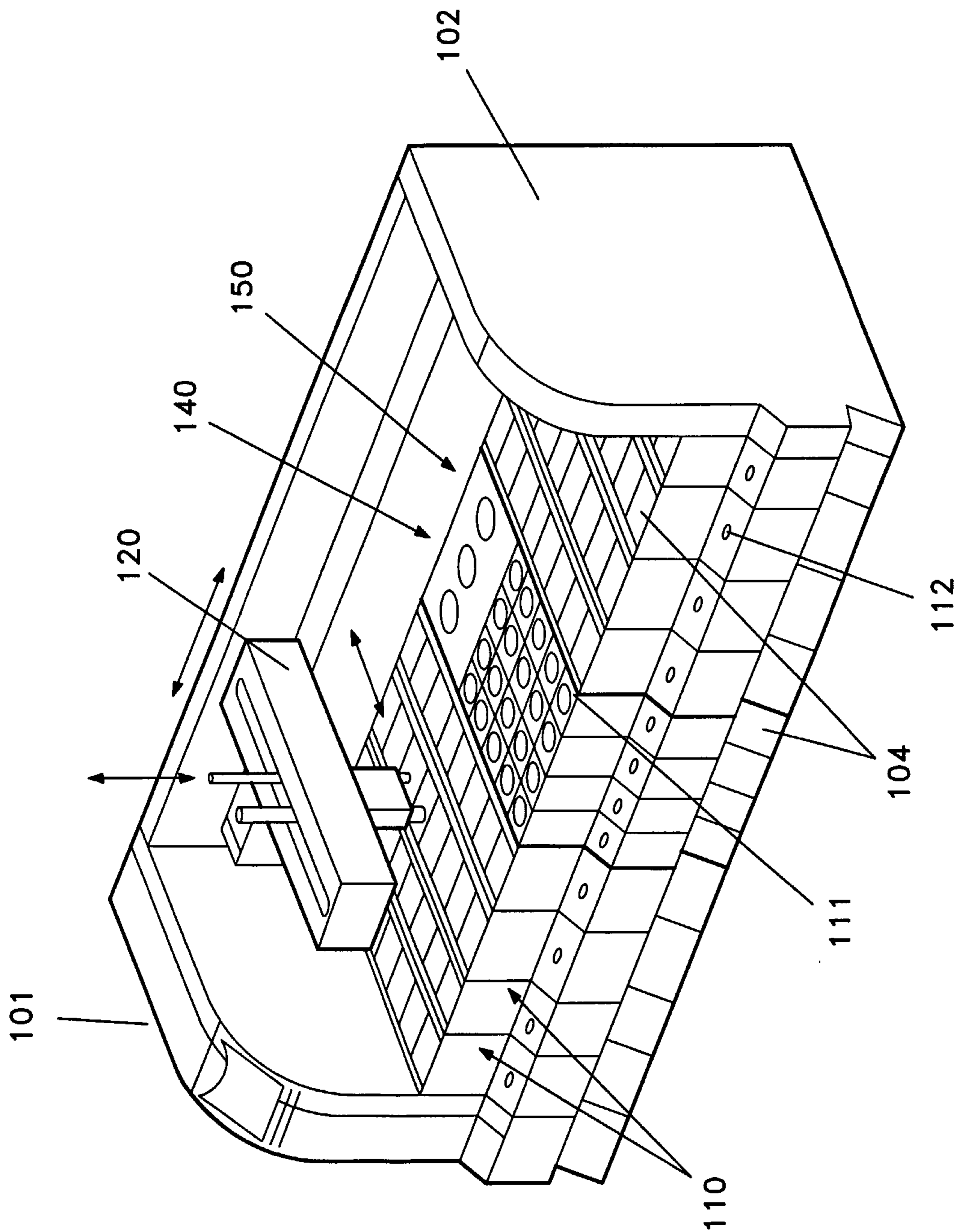


Fig. 1



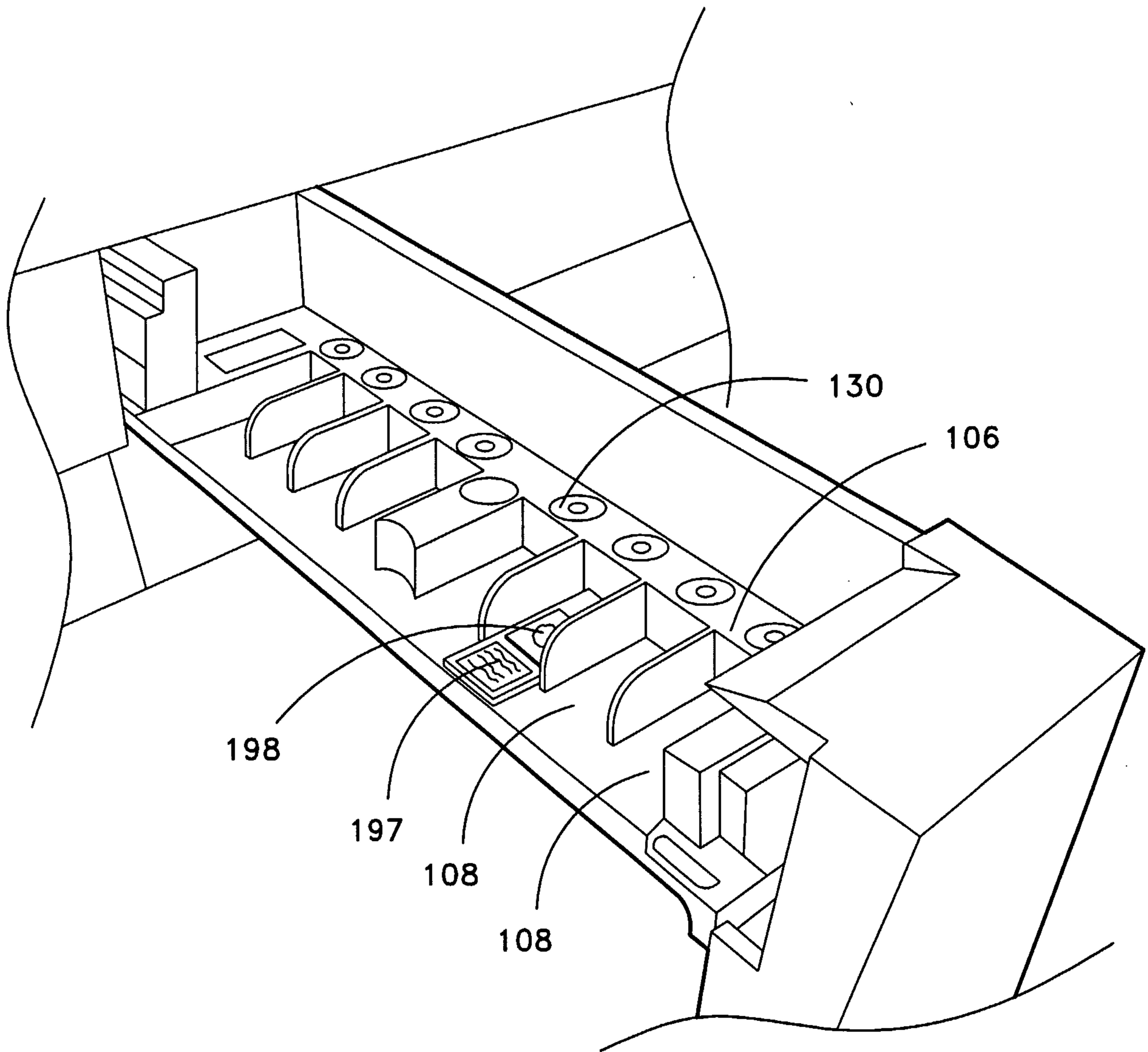


Fig. 2

3/11

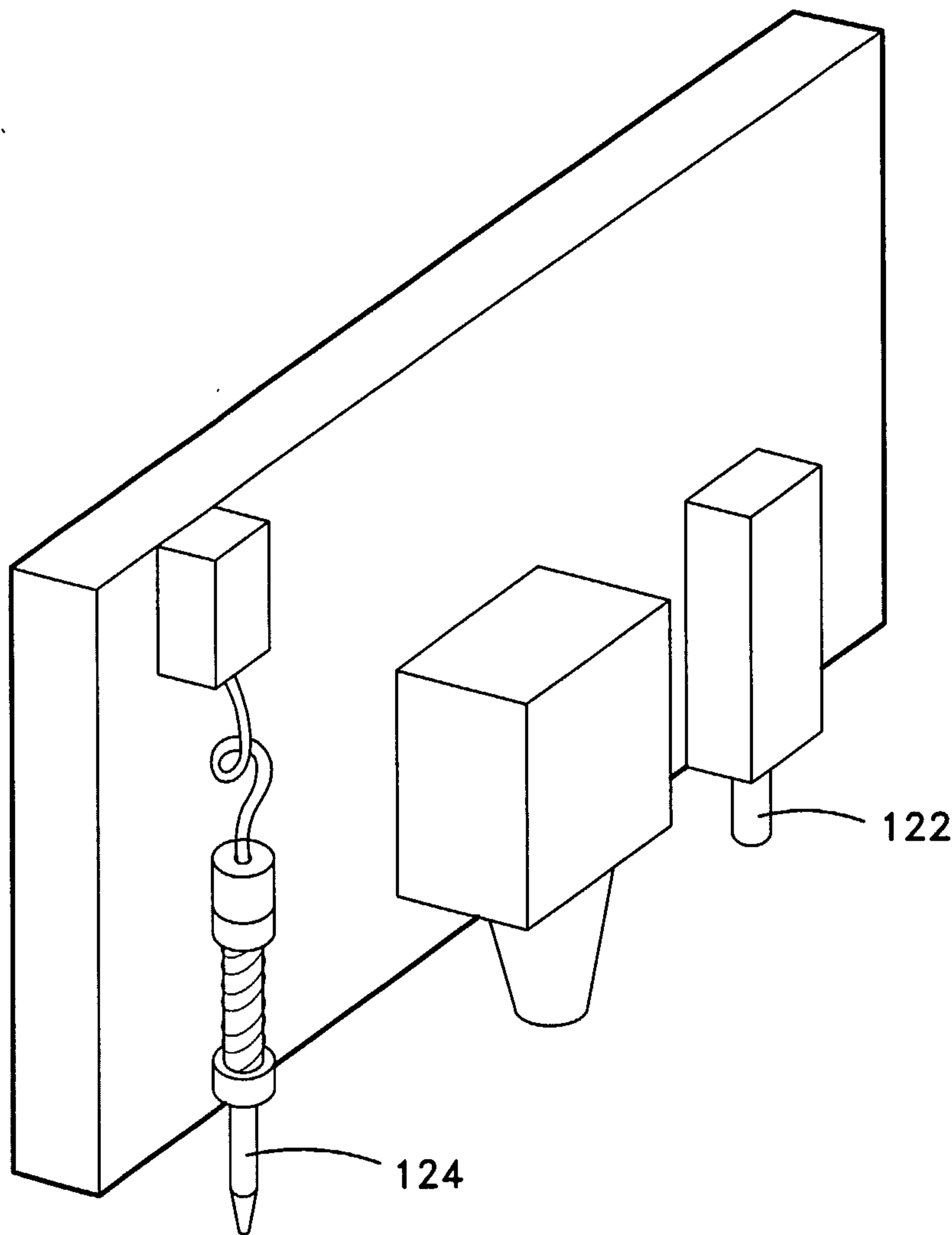


Fig. 3

4/11

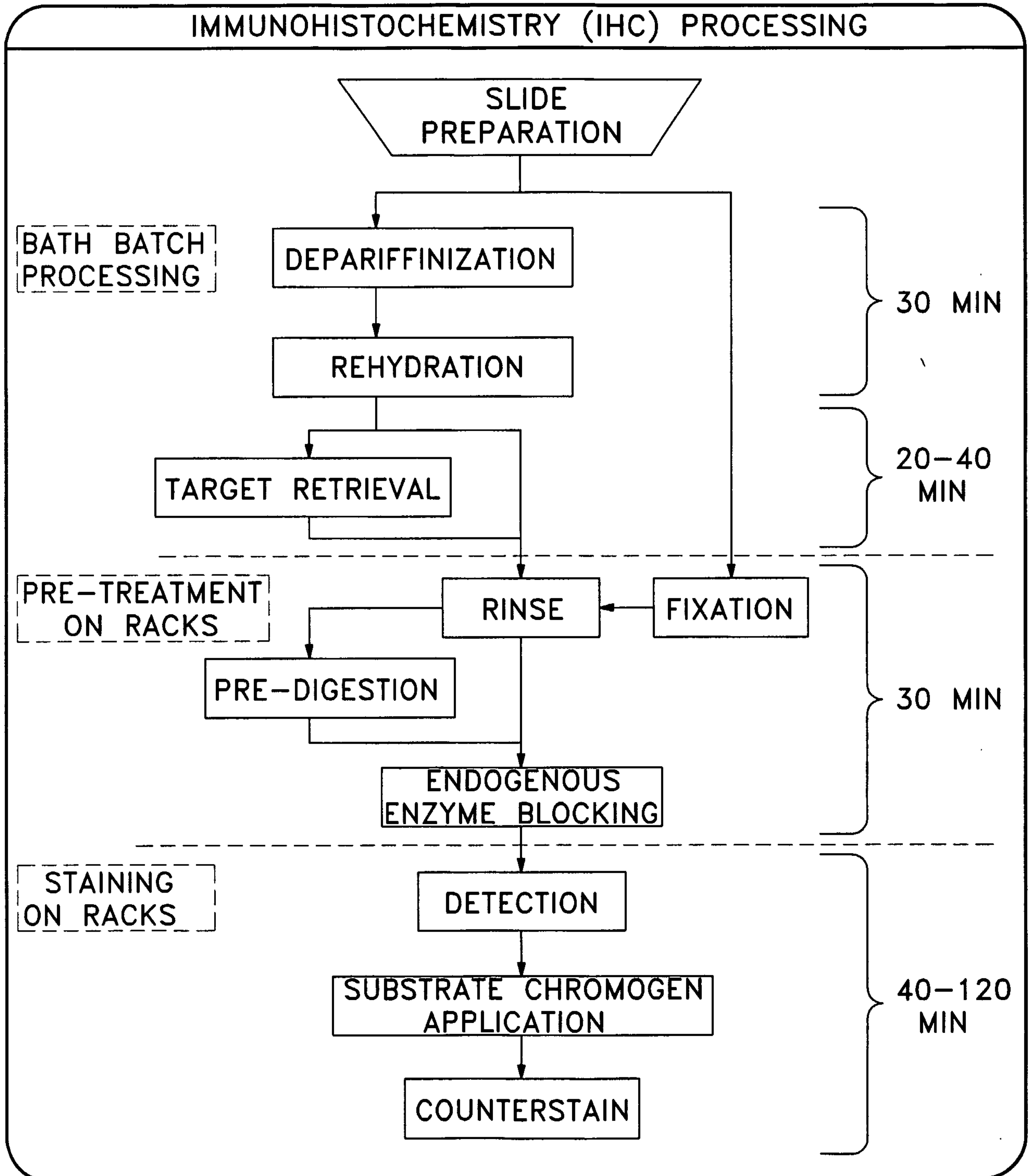
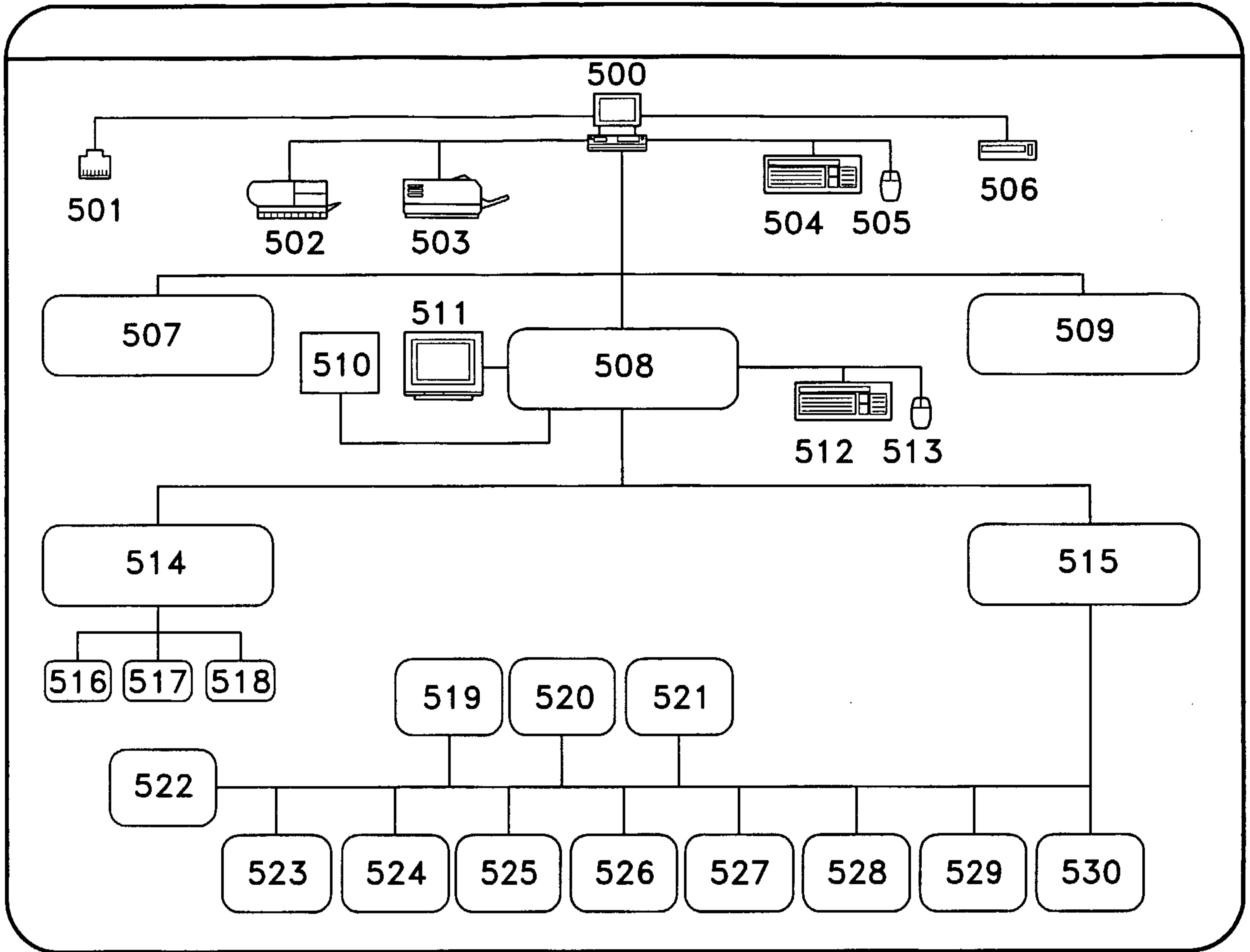


Fig. 4



Key to Figure 5

500	Manager	516	X-Axis
501	100 BaseT	517	Y-Axis
502	Laser printer	518	Z-Axis
503	Data Matrix Label Printer	519	LCD Touch
504	Keyboard	520	Probe Wash/Swap
505	Mouse	521	Misc PCBA
506	Storage Media	522	Cart PCBA
507	Stainer A Embedded PC	523	Drawer 1 Control
508	Stainer B Embedded PC	524	Drawer 2 Control
509	Stainer C Embedded PC	525	Drawer 3 Control
510	Touch Screen	526	Drawer 4 Control
511	Monitor	527	Drawer 5 Control
512	Keyboard	528	Drawer 6 Control
513	Mouse	529	Drawer 7 Control
514	Motor Controller	530	Drawer 8 Control
515	Master PCBA		

Fig. 5

6/11

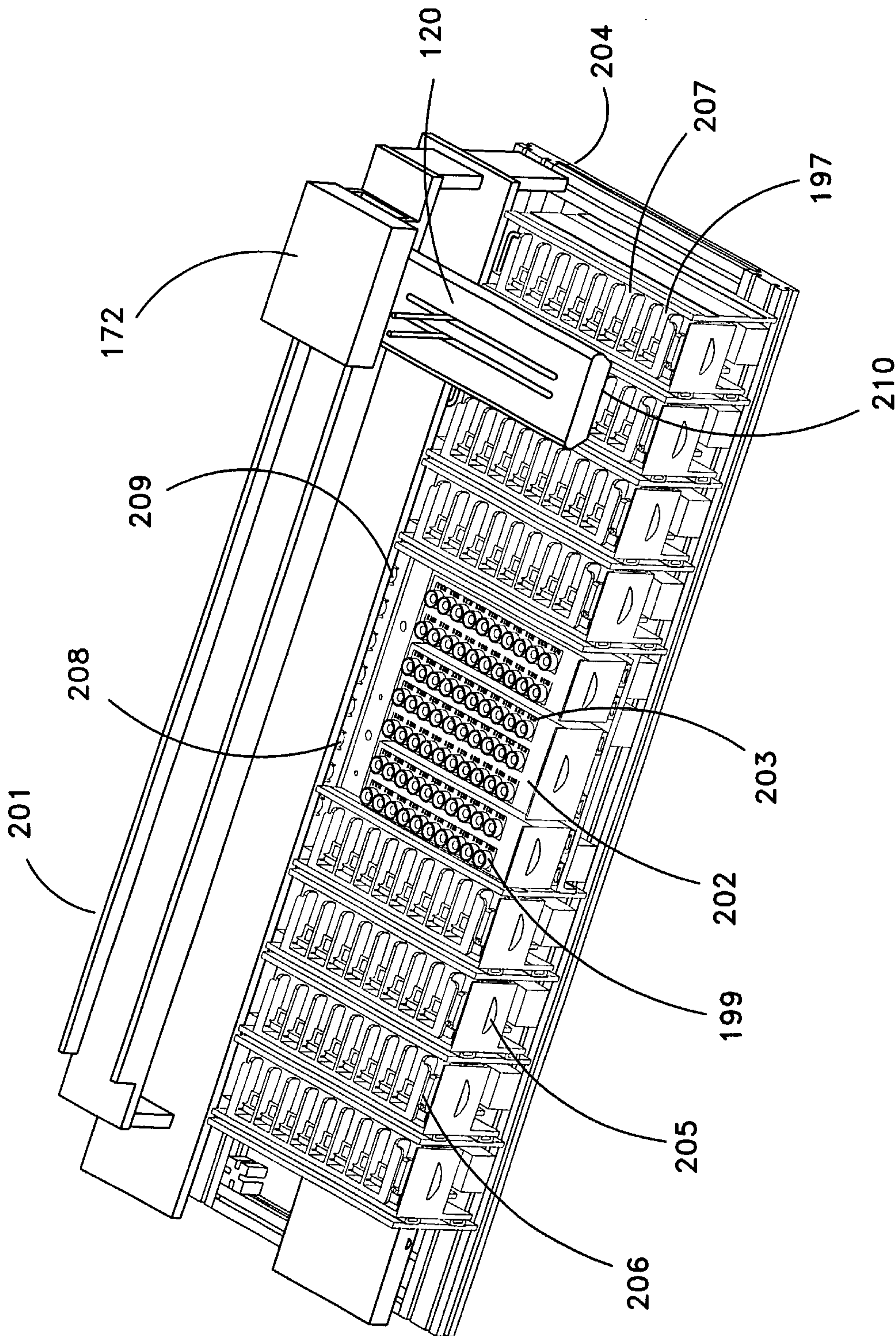


Fig. 6

7/11

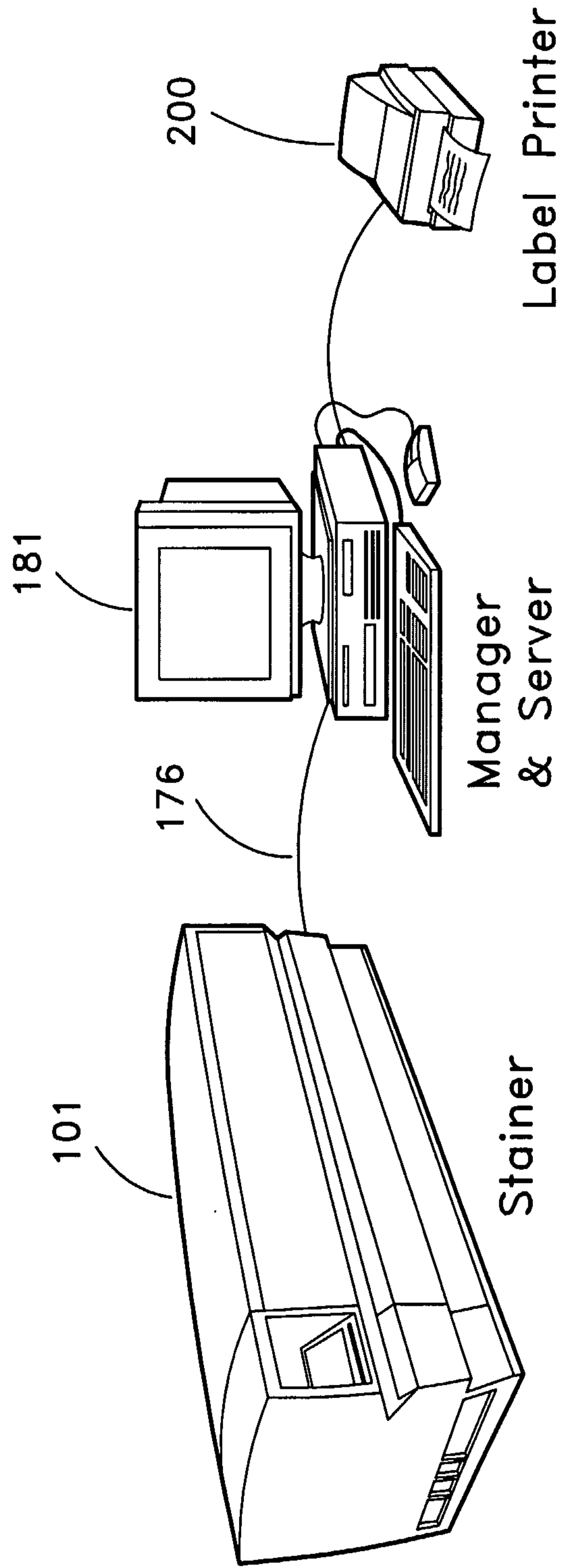


Fig. 7

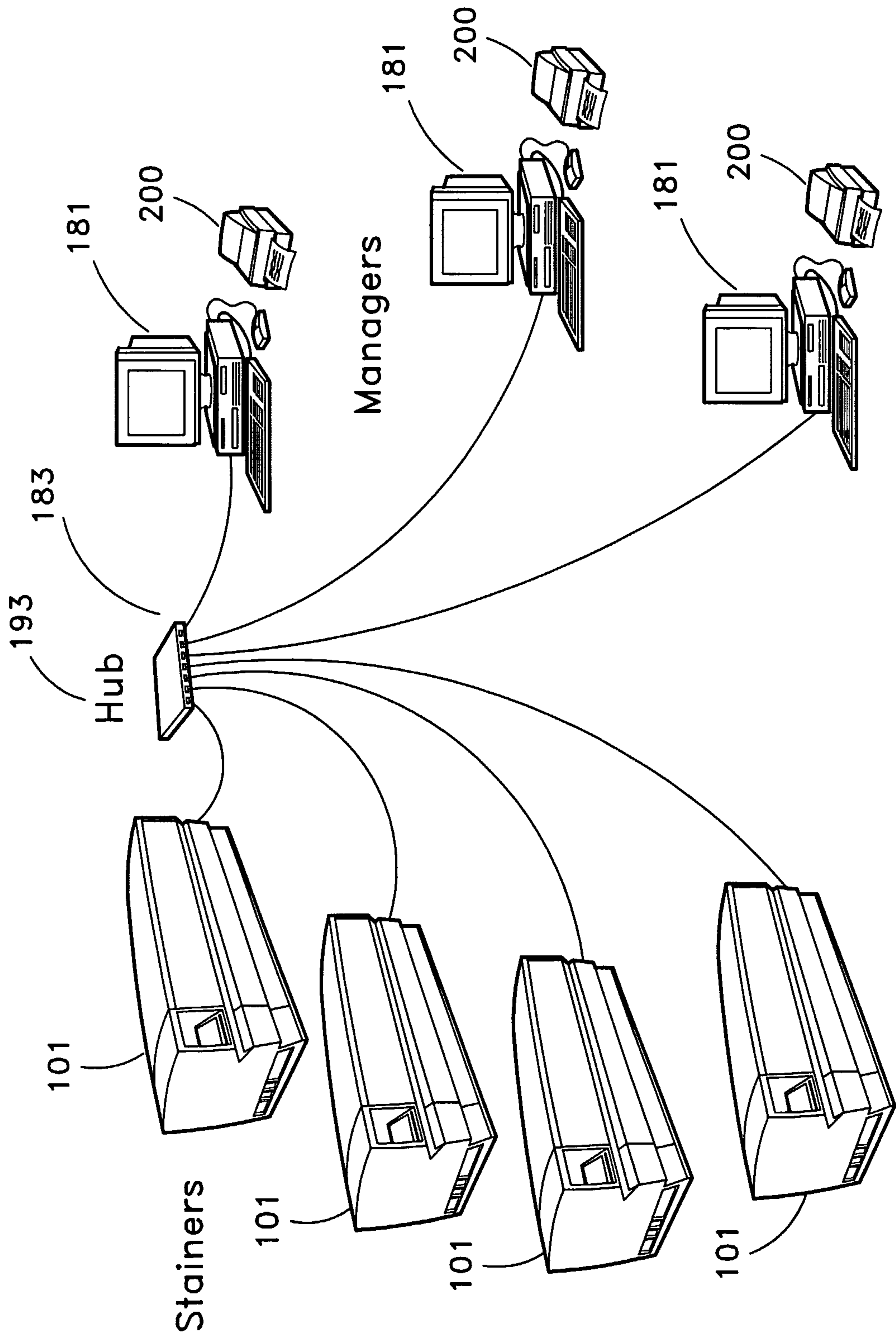


Fig. 8

9/11

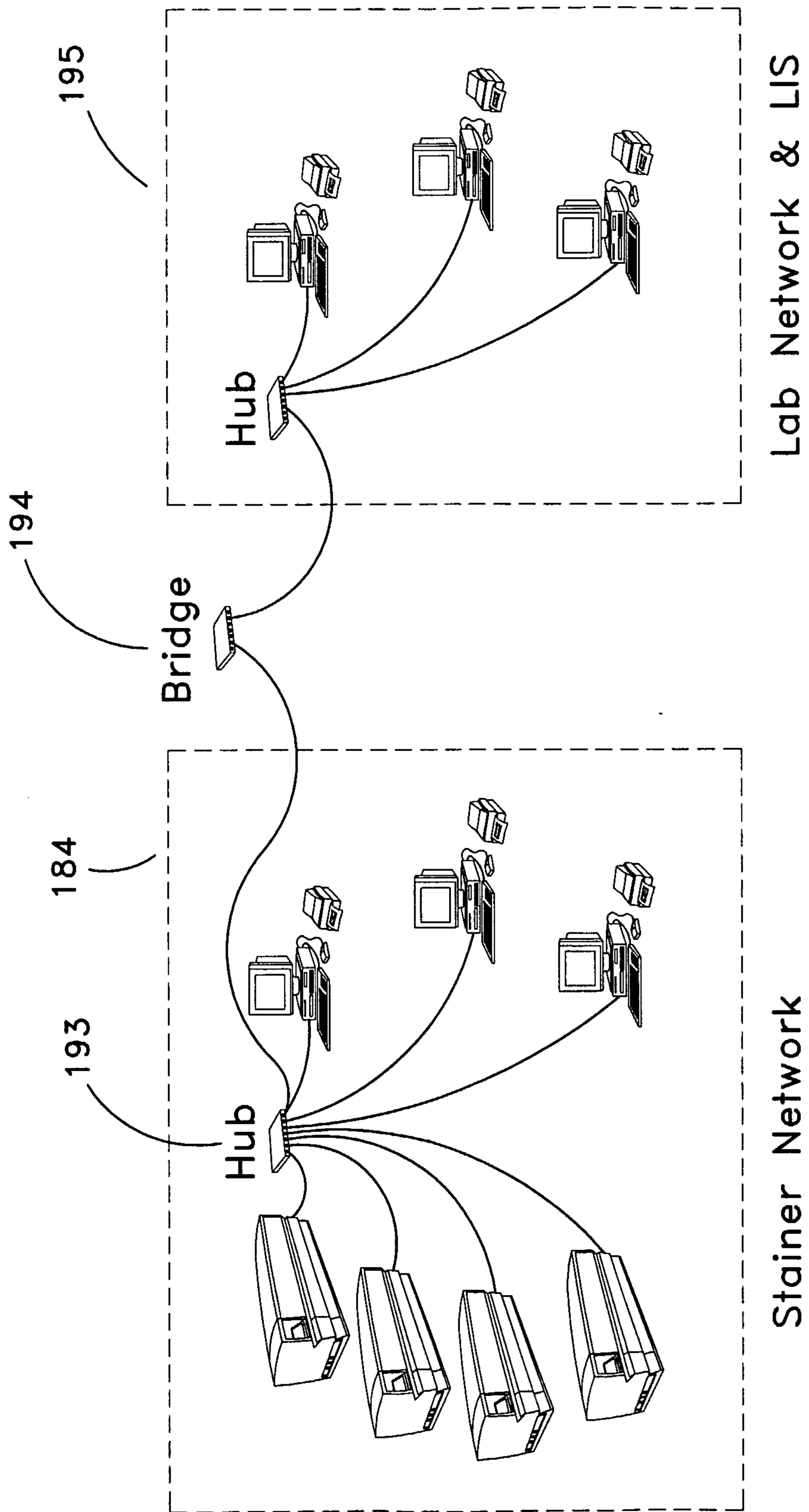


Fig. 9



10/11

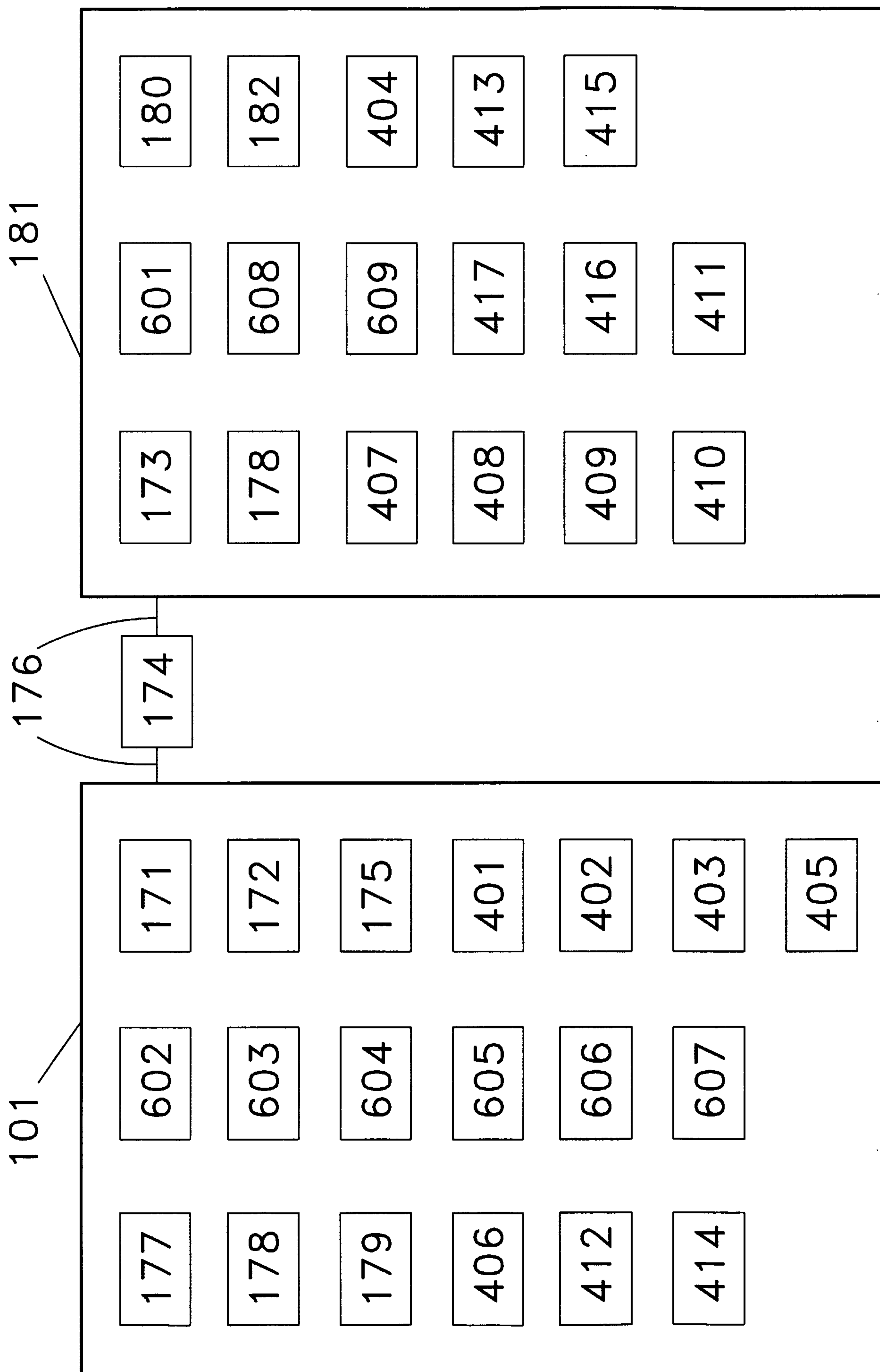


Fig. 10

11/11

## IHC Deparaffinization Process:

Process	Protocol Step	Time (min)	Temp C	Waste Segregation
Deparaffinization	Switch			Hazardous Waste
	Histoclear	5		
	Drain			
	Histoclear	5		
	Drain			
Re-Hydration	100% Ethanol	5		Non-Hazardous Waste
	Drain			
	100% Ethanol	5		
	Drain			
	95% Ethanol	5		
	Drain			
	95% Ethanol	5		
	Rinse - Water	5		
	Switch			
Target Retrieval	Target Retrieval	20	95	
	Target Retrieval Cool	20	55	
	Rinse - Water	5	RT	
Enzyme/Antibody Application	Peroxide Block	5		
	Enzyme Pretreatment	5		
	Rinse - Buffer			
	Pre-Diluted Antibody	10		
	Rinse - Buffer			
	EnVision-HRP	10		
Chromogen/ Counterstain Treatment	Rinse - Buffer			Hazardous Waste
	Switch			
	DAB	5		
	Rinse - Buffer			
	Hematoxylin	5		
	Rinse - Water			

Fig. 11

