

(19) World Intellectual Property Organization
International Bureau



(43) International Publication Date
23 November 2006 (23.11.2006)

PCT

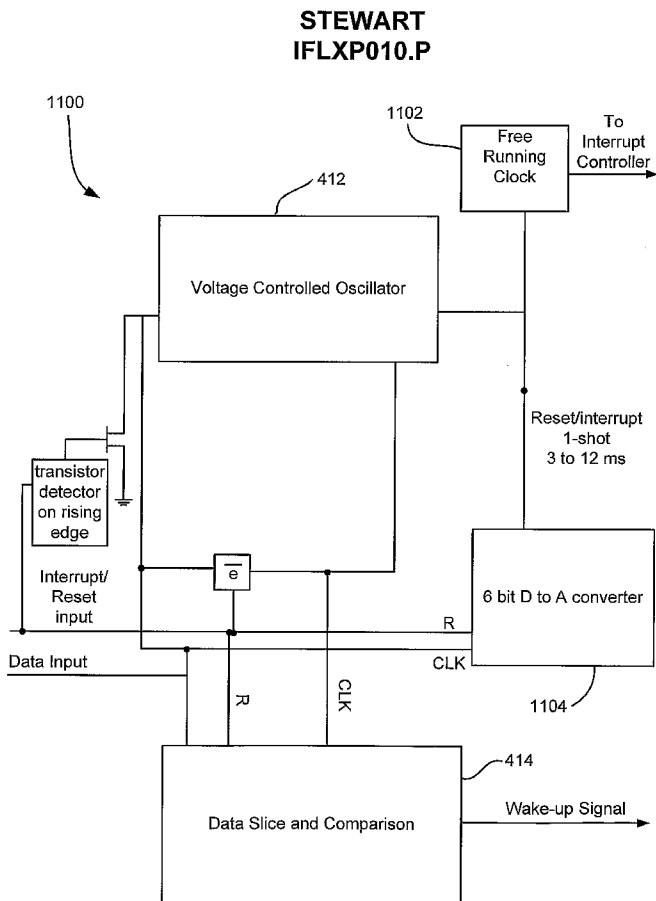
(10) International Publication Number
WO 2006/124099 A3

- (51) International Patent Classification:
G06K 15/00 (2006.01)
- (21) International Application Number:
PCT/US2006/008321
- (22) International Filing Date: 7 March 2006 (07.03.2006)
- (25) Filing Language: English
- (26) Publication Language: English
- (30) Priority Data:
11/127,910 11 May 2005 (11.05.2005) US
- (71) Applicant (for all designated States except US): **INTELLEFLEX CORPORATION** [US/US]; 1075 E. Brokaw Road, Suite 200, San Jose, CA 95131 (US).
- (72) Inventor; and
- (75) Inventor/Applicant (for US only): **STEWART, Roger Green** [US/US]; 16797 Oak View Circle, Morgan Hill, CA 95037 (US).
- (74) Agent: **KOTAB, Dominic M.**; Zilka-Kotab, PC, P.O. Box 721120, San Jose, CA 95172-1120 (US).

- (81) Designated States (unless otherwise indicated, for every kind of national protection available): AE, AG, AL, AM, AT, AU, AZ, BA, BB, BG, BR, BW, BY, BZ, CA, CH, CN, CO, CR, CU, CZ, DE, DK, DM, DZ, EC, EE, EG, ES, FI, GB, GD, GE, GH, GM, HR, HU, ID, IL, IN, IS, JP, KE, KG, KM, KN, KP, KR, KZ, LC, LK, LR, LS, LT, LU, LV, LY, MA, MD, MG, MK, MN, MW, MX, MZ, NA, NG, NI, NO, NZ, OM, PG, PH, PL, PT, RO, RU, SC, SD, SE, SG, SK, SL, SM, SY, TJ, TM, TN, TR, TT, TZ, UA, UG, US, UZ, VC, VN, YU, ZA, ZM, ZW.
 - (84) Designated States (unless otherwise indicated, for every kind of regional protection available): ARIPO (BW, GH, GM, KE, LS, MW, MZ, NA, SD, SL, SZ, TZ, UG, ZM, ZW), Eurasian (AM, AZ, BY, KG, KZ, MD, RU, TJ, TM), European (AT, BE, BG, CH, CY, CZ, DE, DK, EE, ES, FI, FR, GB, GR, HU, IE, IS, IT, LT, LU, LV, MC, NL, PL, PT, RO, SE, SI, SK, TR), OAPI (BF, BJ, CF, CG, CI, CM, GA, GN, GQ, GW, ML, MR, NE, SN, TD, TG).
- Published:**
— with international search report

[Continued on next page]

(54) Title: SMART TAG ACTIVATION



(57) Abstract: Systems and methods for activating devices such as RFID tags includes activating a device if an activate command matches a value stored on the device. The activate command can also define which mode of operation or state the device will initiation in, and whether an additional function or functions is to be performed upon activation. Activate commands can also be dynamically assigned to devices in order to increase overall efficiency.

WO 2006/124099 A3



(88) Date of publication of the international search report:
13 November 2008

INTERNATIONAL SEARCH REPORT

International application No.
PCT/US06/08321

A. CLASSIFICATION OF SUBJECT MATTER
 IPC: **G06K 15/00(2006.01)**

 USPC: 235/383
 According to International Patent Classification (IPC) or to both national classification and IPC

B. FIELDS SEARCHED
 Minimum documentation searched (classification system followed by classification symbols)
 U.S. : 235/492; 340/10.1, 10.4, 10.41, 10.40, 572.1

 Documentation searched other than minimum documentation to the extent that such documents are included in the fields searched

 Electronic data base consulted during the international search (name of data base and, where practicable, search terms used)

C. DOCUMENTS CONSIDERED TO BE RELEVANT

Category *	Citation of document, with indication, where appropriate, of the relevant passages	Relevant to claim No.
X --- Y	US 2005/0052279 (Bridgelall et al.) 10 March 2005 (10.03.2005), see entire document	1-3, 5, 6, 11, 13, 14, 17-23, 25, 26, 30, 32, 33, 37-40, 42-48, 52- 56, 60, 62, 63 and 66 ----- 7-10, 12, 15, 16, 27-29, 31, 34-36, 41, 49-51, 57-59, 61 and 65
--- Y	US 6,377,203 (Doany) 23 April 2002 (23.04.2002), see entire document	----- 7, 12, 15, 27, 31, 35, 41; 49-51, 56, 61, 65

Further documents are listed in the continuation of Box C. See patent family annex.

* Special categories of cited documents:	"
"A" document defining the general state of the art which is not considered to be of particular relevance	"T" later document published after the international filing date or priority date and not in conflict with the application but cited to understand the principle or theory underlying the invention
"E" earlier application or patent published on or after the international filing date	"X" document of particular relevance; the claimed invention cannot be considered novel or cannot be considered to involve an inventive step when the document is taken alone
"L" document which may throw doubts on priority claim(s) or which is cited to establish the publication date of another citation or other special reason (as specified)	"Y" document of particular relevance; the claimed invention cannot be considered to involve an inventive step when the document is combined with one or more other such documents, such combination being obvious to a person skilled in the art
"O" document referring to an oral disclosure, use, exhibition or other means	"&" document member of the same patent family
"P" document published prior to the international filing date but later than the priority date claimed	

Date of the actual completion of the international search 31 May 2008 (31.05.2008)	Date of mailing of the international search report 15 JUL 2008
---	--

Name and mailing address of the ISA/US Mail Stop PCT, Attn: ISA/US Commissioner for Patents P.O. Box 1450 Alexandria, Virginia 22313-1450 Facsimile No. (571) 273-3201	Authorized officer Daniel A. Hess <i>[Signature]</i> Telephone No. (571) 272-2392
---	---

INTERNATIONAL SEARCH REPORT

International application No.
PCT/US06/08321

C (Continuation). DOCUMENTS CONSIDERED TO BE RELEVANT		
Category *	Citation of document, with indication, where appropriate, of the relevant passages	Relevant to claim No.
---	US 6,067,171 (Yamada et al) 23 May 2000 (23.05.2000), see entire document	----- 34
Y		
---	US 2002/0087867 (Oberle et al) 09 July 2002 (04.07.2002), see entire document	----- 8-10,28,29,57-59
Y		
X	US 6,130,603 (Briechle) 10 October 2000 (10.10.2000), see entire document	64