

(19) World Intellectual Property Organization
International Bureau



(43) International Publication Date
27 May 2010 (27.05.2010)

(10) International Publication Number
WO 2010/059986 A3

- (51) **International Patent Classification:**
G06Q 30/00 (2006.01) *G06K 7/10* (2006.01)
- (21) **International Application Number:**
PCT/US2009/065400
- (22) **International Filing Date:**
20 November 2009 (20.11.2009)
- (25) **Filing Language:** English
- (26) **Publication Language:** English
- (30) **Priority Data:**
61/117,153 22 November 2008 (22.11.2008) US
- (71) **Applicant (for all designated States except US):**
CATALINA MARKETING CORPORATION
[US/US]; 200 Carillon Parkway, St. Petersburg, FL 33716 (US).
- (72) **Inventors; and**
- (75) **Inventors/Applicants (for US only):** **GREENFIELD, Steven** [US/US]; 4411 Wheatland Way, Palm Harbor, FL 34685 (US). **MOSS, Darren** [CA/US]; 340 W. Diversey Parkway, #2718, Chicago, IL 60657 (US).
- (74) **Agent:** **NEIFELD IP LAW, PC;** 4813-B Eisenhower Avenue, Alexandria, VA 22304 (US).
- (81) **Designated States (unless otherwise indicated, for every kind of national protection available):** AE, AG, AL, AM,

AO, AT, AU, AZ, BA, BB, BG, BH, BR, BW, BY, BZ, CA, CH, CL, CN, CO, CR, CU, CZ, DE, DK, DM, DO, DZ, EC, EE, EG, ES, FI, GB, GD, GE, GH, GM, GT, HN, HR, HU, ID, IL, IN, IS, JP, KE, KG, KM, KN, KP, KR, KZ, LA, LC, LK, LR, LS, LT, LU, LY, MA, MD, ME, MG, MK, MN, MW, MX, MY, MZ, NA, NG, NI, NO, NZ, OM, PE, PG, PH, PL, PT, RO, RS, RU, SC, SD, SE, SG, SK, SL, SM, ST, SV, SY, TJ, TM, TN, TR, TT, TZ, UA, UG, US, UZ, VC, VN, ZA, ZM, ZW.

(84) **Designated States (unless otherwise indicated, for every kind of regional protection available):** ARIPO (BW, GH, GM, KE, LS, MW, MZ, NA, SD, SL, SZ, TZ, UG, ZM, ZW), Eurasian (AM, AZ, BY, KG, KZ, MD, RU, TJ, TM), European (AT, BE, BG, CH, CY, CZ, DE, DK, EE, ES, FI, FR, GB, GR, HR, HU, IE, IS, IT, LT, LU, LV, MC, MK, MT, NL, NO, PL, PT, RO, SE, SI, SK, SM, TR), OAPI (BF, BJ, CF, CG, CI, CM, GA, GN, GQ, GW, ML, MR, NE, SN, TD, TG).

- Published:**
- with international search report (Art. 21(3))
- before the expiration of the time limit for amending the claims and to be republished in the event of receipt of amendments (Rule 48.2(h))
- (88) **Date of publication of the international search report:**
19 August 2010

(54) **Title:** SMALL STORE SYSTEM

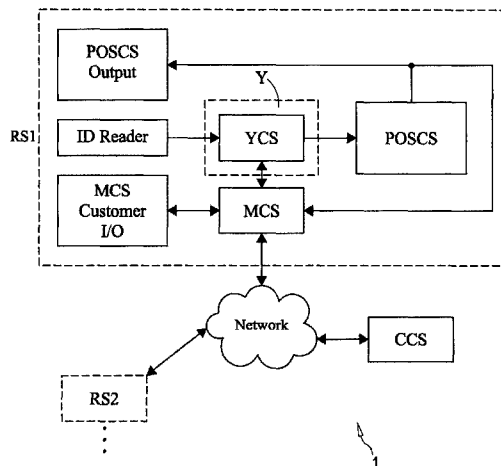
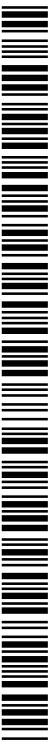


FIG. 1

(57) **Abstract:** System and methods of use are disclosed that default routing of an ID read by an ID reader as part of a purchase transaction in a retail store, to a first computer system (MCS) instead of the POS computer system for the retail store, the first computer system processes the ID, and the POS computer system receives the results of the processing in the form of IDs recognizable by the POS computer system and for which the POS computer system has associated costs.



WO 2010/059986 A3

A. CLASSIFICATION OF SUBJECT MATTER**G06Q 30/00(2006.01)i, G06K 7/10(2006.01)i**

According to International Patent Classification (IPC) or to both national classification and IPC

B. FIELDS SEARCHED

Minimum documentation searched (classification system followed by classification symbols)

G06Q 30/00; G06K 7/10; B41J 11/26; G06F 17/00; G06Q 20/00

Documentation searched other than minimum documentation to the extent that such documents are included in the fields searched

Korean utility models and applications for utility models

Japanese utility models and applications for utility models

Electronic data base consulted during the international search (name of data base and, where practicable, search terms used)

eKOMPASS(KIPO internal) & Keywords: POINT OF SALE, BARCODE, COUPON, TRANSACTION

C. DOCUMENTS CONSIDERED TO BE RELEVANT

Category*	Citation of document, with indication, where appropriate, of the relevant passages	Relevant to claim No.
Y	KR 10-2005-0018737 A (CREATIVE MARKETING SOLUTIONS LTD.) 28 February 2005 See the abstract, figure 1 and claims 1-12.	1-2,5,8-9
Y	US 2005/0271446 A1 (MINOWA, M.) 8 December 2005 See the abstract, figure 1 and paragraphs [0049]-[0070].	1-2,5,8-9
A	US 2008/0154676 A1 (SUK, A.) 26 June 2008 See the abstract, figure 1 and paragraphs [0044]-[0055].	1-13
A	US 7349884 B1 (ODOM, P. et al.) 25 March 2008 See the abstract, figure 1 and column 4, line 15 - column 6, line 10.	1-13

 Further documents are listed in the continuation of Box C. See patent family annex.

* Special categories of cited documents:

"A" document defining the general state of the art which is not considered to be of particular relevance

"E" earlier application or patent but published on or after the international filing date

"L" document which may throw doubts on priority claim(s) or which is cited to establish the publication date of citation or other special reason (as specified)

"O" document referring to an oral disclosure, use, exhibition or other means

"P" document published prior to the international filing date but later than the priority date claimed

"T" later document published after the international filing date or priority date and not in conflict with the application but cited to understand the principle or theory underlying the invention

"X" document of particular relevance; the claimed invention cannot be considered novel or cannot be considered to involve an inventive step when the document is taken alone

"Y" document of particular relevance; the claimed invention cannot be considered to involve an inventive step when the document is combined with one or more other such documents, such combination being obvious to a person skilled in the art

"&" document member of the same patent family

Date of the actual completion of the international search

21 JUNE 2010 (21.06.2010)

Date of mailing of the international search report

22 JUNE 2010 (22.06.2010)

Name and mailing address of the ISA/KR

Korean Intellectual Property Office
Government Complex-Daejeon, 139 Seonsa-ro, Seo-gu, Daejeon 302-701, Republic of Korea

Facsimile No. 82-42-472-7140

Authorized officer

YU, Jin Tae

Telephone No. 82-42-481-8542



INTERNATIONAL SEARCH REPORT

Information on patent family members

International application No.

PCT/US2009/065400

Patent document cited in search report	Publication date	Patent family member(s)	Publication date
KR 10-2005-0018737 A	28.02.2005	None	
US 2005/0271446 A1	08.12.2005	CN 100489904 C CN 1702696 A CN 1702696 C0 DE 602005008136 D1 EP 1603080 A2 EP 1603080 A3 EP 1603080 B1 JP 2005-335125 A US 7689461 B2	20.05.2009 30.11.2005 30.11.2005 28.08.2008 07.12.2005 17.01.2007 16.07.2008 08.12.2005 30.03.2010
US 2008/0154676 A1	26.06.2008	CA 2681656-A1 CA 2684489-A1 EP 2115682 A2 EP 2115683 A2 US 2005-0173517 A1 US 2008-0046325 A1 US 2008-0147504 A1 US 7578435 B2 WO 2005-083625 A1 WO 2008-058195 A2 WO 2008-058195 A3 WO 2008-058207 A2 WO 2008-058207 A3	15.05.2008 15.05.2008 11.11.2009 11.11.2009 11.08.2005 21.02.2008 19.06.2008 25.08.2009 09.09.2005 15.05.2008 15.05.2008 15.05.2008 15.05.2008
US 7349884 B1	25.03.2008	None	