



(86) **Date de dépôt PCT/PCT Filing Date:** 2014/06/19
 (87) **Date publication PCT/PCT Publication Date:** 2015/01/15
 (85) **Entrée phase nationale/National Entry:** 2016/01/07
 (86) **N° demande PCT/PCT Application No.:** NO 2014/050105
 (87) **N° publication PCT/PCT Publication No.:** 2015/005795
 (30) **Priorité/Priority:** 2013/07/11 (NO20130966)

(51) **Cl.Int./Int.Cl. B60D 1/36** (2006.01),
B60D 1/24 (2006.01), **B60D 1/62** (2006.01)
 (71) **Demandeur/Applicant:**
SMART INNOVATION AS, NO
 (72) **Inventeur/Inventor:**
STRAND, DAG ARILD AAMODT, NO
 (74) **Agent:** KIRBY EADES GALE BAKER

(54) **Titre : SYSTEME ET PROCEDE POUR ATTACHER UNE REMORQUE A UN VEHICULE OU POUR LA DETACHER DE CE DERNIER**

(54) **Title: SYSTEM AND METHOD FOR CONNECTING OR DISCONNECTING A TRAILER TO A VEHICLE**

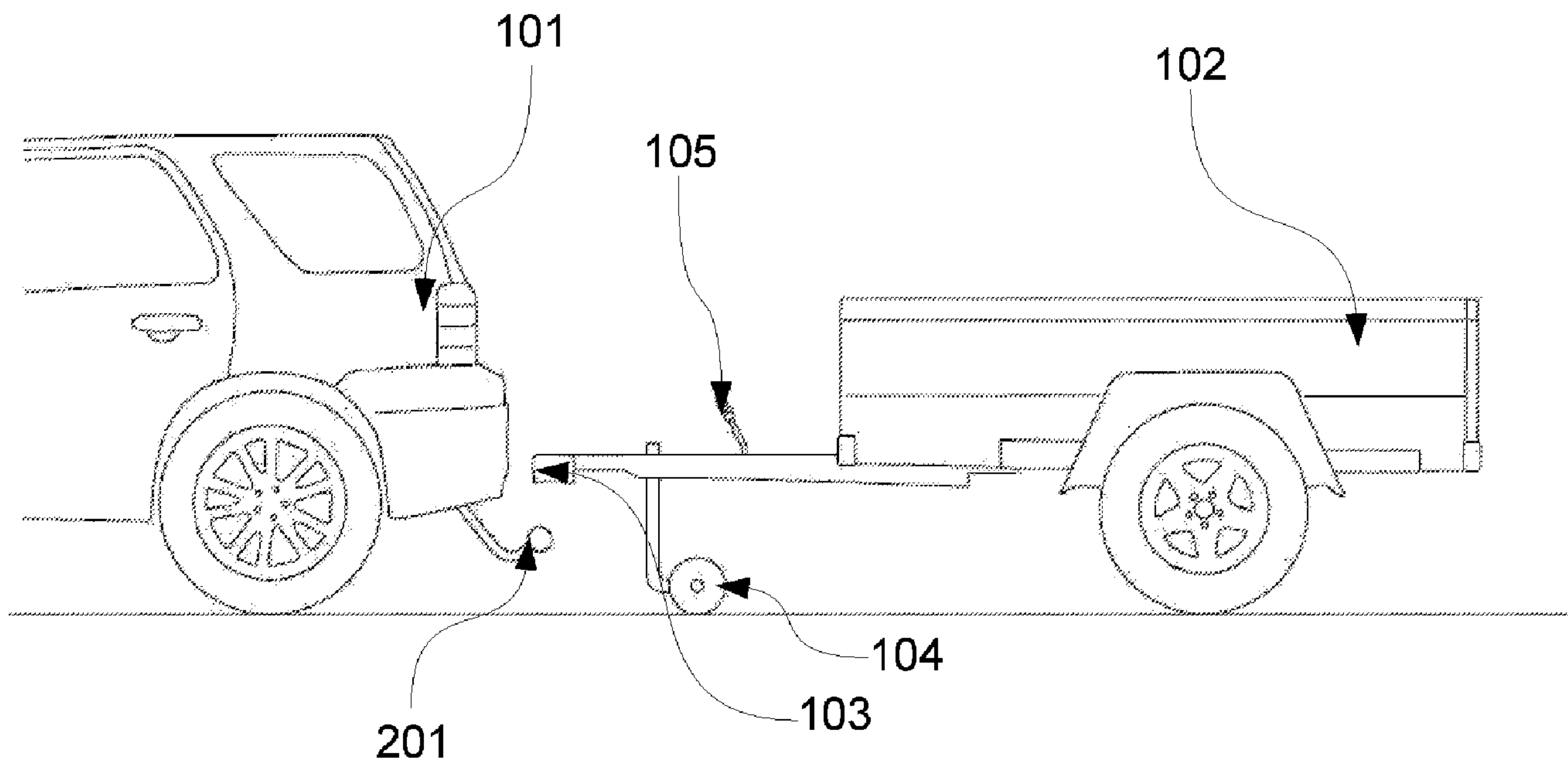


Fig. 2

(57) **Abrégé/Abstract:**

System and method for connecting or disconnecting a trailer (102) to a vehicle (101) comprising a tow bar (201) mounted to the vehicle (101), a trailer hitch mounted on the trailer (102), at least one motor mounted in connection with the tow bar (201), a control

(57) Abrégé(suite)/Abstract(continued):

of said at least one motor and is further characterized in that said tow bar (201) automatically can connect to the trailer hitch mounted on the trailer (102) when these are within a predetermined radius of one another.

(12) INTERNATIONAL APPLICATION PUBLISHED UNDER THE PATENT COOPERATION TREATY (PCT)

(19) World Intellectual Property
Organization
International Bureau(43) International Publication Date
15 January 2015 (15.01.2015)

WIPO | PCT

(10) International Publication Number
WO 2015/005795 A3

(51) International Patent Classification:

B60D 1/36 (2006.01) B60D 1/24 (2006.01)
B60D 1/62 (2006.01)

(21) International Application Number:

PCT/NO2014/050105

(22) International Filing Date:

19 June 2014 (19.06.2014)

(25) Filing Language:

English

(26) Publication Language:

English

(30) Priority Data:

20130966 11 July 2013 (11.07.2013) NO

(71) Applicant: SMART INNOVATION AS [NO/NO];
Nyheimsvegen 68, N-7058 Jakobsli (NO).(72) Inventor: STRAND, Dag Arild Aamodt; Nyheimsvegen
68, N-7058 Jakobsli (NO).(74) Agent: OSLO PATENTKONTOR AS; Postboks 7007M,
N-0306 Oslo (NO).(81) Designated States (unless otherwise indicated, for every
kind of national protection available): AE, AG, AL, AM,
AO, AT, AU, AZ, BA, BB, BG, BH, BN, BR, BW, BY,
BZ, CA, CH, CL, CN, CO, CR, CU, CZ, DE, DK, DM,
DO, DZ, EC, EE, EG, ES, FI, GB, GD, GE, GH, GM, GT,HN, HR, HU, ID, IL, IN, IR, IS, JP, KE, KG, KN, KP, KR,
KZ, LA, LC, LK, LR, LS, LT, LU, LY, MA, MD, ME,
MG, MK, MN, MW, MX, MY, MZ, NA, NG, NI, NO, NZ,
OM, PA, PE, PG, PH, PL, PT, QA, RO, RS, RU, RW, SA,
SC, SD, SE, SG, SK, SL, SM, ST, SV, SY, TH, TJ, TM,
TN, TR, TT, TZ, UA, UG, US, UZ, VC, VN, ZA, ZM,
ZW.(84) Designated States (unless otherwise indicated, for every
kind of regional protection available): ARIPO (BW, GH,
GM, KE, LR, LS, MW, MZ, NA, RW, SD, SL, SZ, TZ,
UG, ZM, ZW), Eurasian (AM, AZ, BY, KG, KZ, RU, TJ,
TM), European (AL, AT, BE, BG, CH, CY, CZ, DE, DK,
EE, ES, FI, FR, GB, GR, HR, HU, IE, IS, IT, LT, LU, LV,
MC, MK, MT, NL, NO, PL, PT, RO, RS, SE, SI, SK, SM,
TR), OAPI (BF, BJ, CF, CG, CI, CM, GA, GN, GQ, GW,
KM, ML, MR, NE, SN, TD, TG).

Published:

- with international search report (Art. 21(3))
- before the expiration of the time limit for amending the
claims and to be republished in the event of receipt of
amendments (Rule 48.2(h))

(88) Date of publication of the international search report:

2 April 2015

(54) Title: SYSTEM AND METHOD FOR CONNECTING OR DISCONNECTING A TRAILER TO A VEHICLE

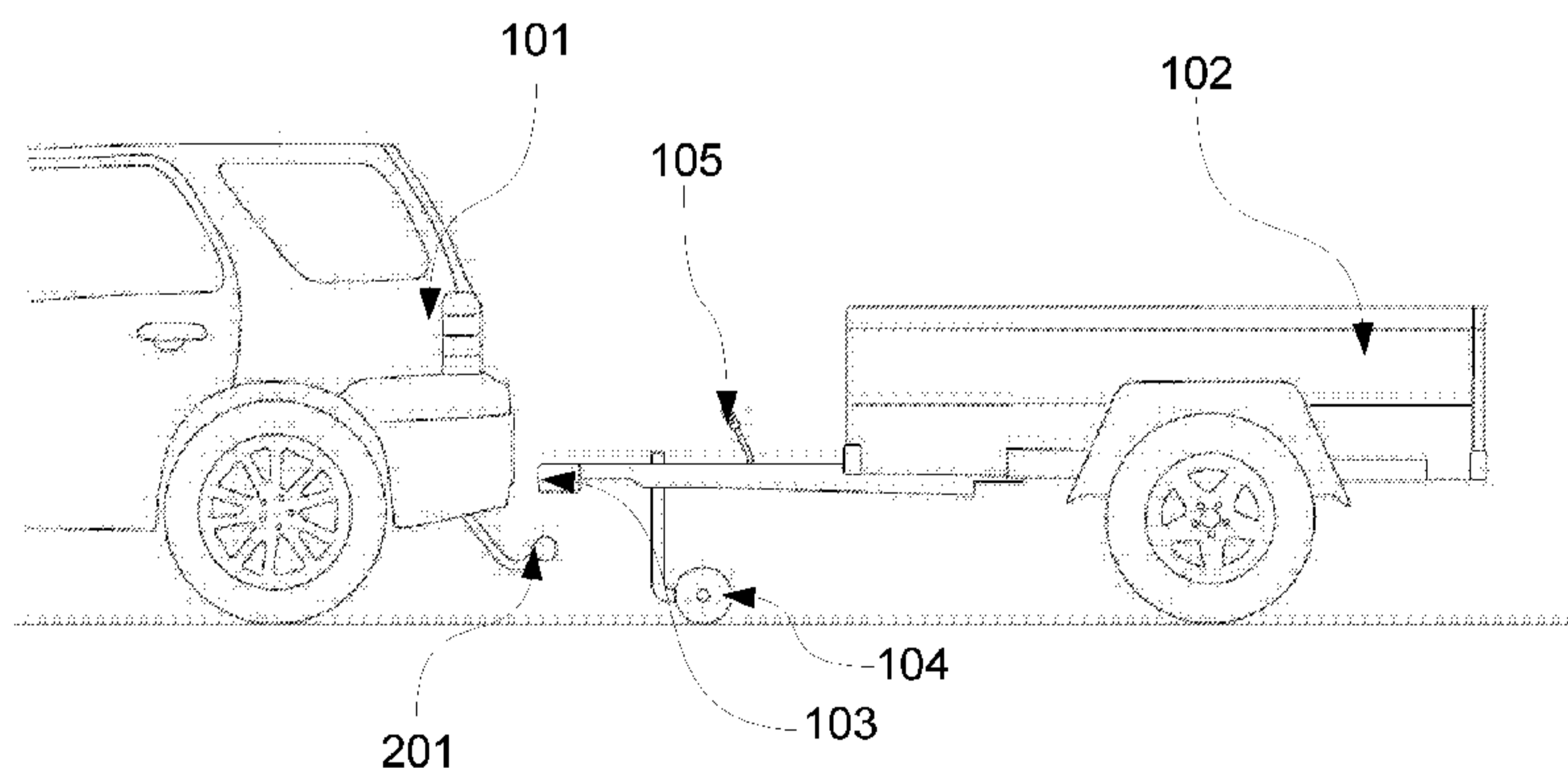


Fig. 2

(57) Abstract: System and method for connecting or disconnecting a trailer (102) to a vehicle (101) comprising a tow bar (201) mounted to the vehicle (101), a trailer hitch mounted on the trailer (102), at least one motor mounted in connection with the tow bar (201), a control of said at least one motor and is further characterized in that said tow bar (201) automatically can connect to the trailer hitch mounted on the trailer (102) when these are within a predetermined radius of one another.

SYSTEM AND METHOD FOR CONNECTING OR DISCONNECTING
A TRAILER TO A VEHICLE

Technical field

The present invention relates to a system and method for automatically connecting a trailer to a vehicle.

Background of the invention

5 Connecting a trailer to a vehicle can be a tiresome and needlessly difficult process. In addition to connecting the trailer to the tow bar of the vehicle, it is important to connect the power cord, disconnect the parking break and raise the support wheel, if the trailer has these features. Connecting smaller trailers to the vehicle can also be strenuous, since the user often has to lift the trailer on to the tow bar.

10 US 20070007749 describes a coupling having a ball neck body pivoted around an axis between the operating and the rest positions. Rotation blocking bodies are placed in connection with an actuation mechanism, in order to direct the reaction forces perpendicular to the pivot axis.

15 US 20050167945 describes a device which is designed as a ball member to be connected to a fastener located on the trailer. The vehicle has a tow bar mounted behind the rear bumper. The coupling comprises a container fitted to a component that uses a load bearing component and slides into a locked position by means of a spring supported locking element for attaching the device in a resting or working position.

20 EP 1535765 describes a trailer coupling for motor vehicles which has a coupling arm with drive means acting on a rotary axis element through a rotational bearing. By means of a movement device, the mounting piece is pressed into a recess that holds the coupling to the connector housing in order to lock it therein.

25 All these documents describe different solutions for a tow bar that can be hidden and retrieved when you need it. The problem with these solutions is that they only have an esthetic purpose. With these solutions it is not necessary to have the tow bar protruding out from behind the vehicle when it is not in use. The attaching of the trailer to the tow bar of the vehicle is not made any easier.

Summary of the invention

30 The purpose of the present invention, as described in the set of claims, is to solve the problems mentioned above. The invention discloses a system and method for automatically connecting a trailer to or from a vehicle.

The solution describes a tow bar that can be hidden under a vehicle. When somebody wants to use a trailer, he or she positions the trailer and the vehicle within a working radius of each other. When the vehicle and the trailer are positioned correctly, the user activates the tow bar. According to one embodiment
5 of the invention the tow bar moves out from underneath the vehicle. The tow bar can move in all directions and, furthermore, it can move until it connects with the trailer hitch. The design of the trailer hitch allows the tow bar to be guided into the fitting on the trailer.

When the tow bar and the trailer hitch are connected, the link between the vehicle
10 and the trailer will automatically be locked. The parking brakes on the trailer will automatically disconnect and the support wheel will be raised. Further, you can automatically connect a pneumatic system, safety wire and electric cable. The tow bar will then automatically center itself to the driving position.

In a further embodiment, a wireless connection will provide communication
15 between the vehicle and the trailer. The vehicle will then be able to send signals to the trailer telling it which lights should be activated.

Brief description of the drawings

Figure 1 is a side view image of an embodiment of the invention wherein a vehicle
20 101 and a trailer 102 are positioned one after the other, but where the tow bar 201 is hidden underneath the vehicle 101.

Figure 2 is a side view image of one embodiment of the invention wherein the tow bar 201 is activated and moves out from underneath the vehicle 101.

Figure 3 is a side view image of one embodiment of the invention in which the trailer 102 is connected to the vehicle 101.

25 Figure 4 is a perspective view of an embodiment of the present invention used on an articulated lorry.

Detailed description

Figure 1 is a side view image of an embodiment of the invention. To the far left of the drawing, the rear end of a vehicle 101 is shown. Behind the vehicle 101 there is
30 located a trailer 102.

Before activating the tow bar 201 the user must ensure that the trailer 102 and vehicle 101 are positioned within a working radius of each other. When the vehicle

101 and trailer 102 are positioned within the correct radius, one can activate the tow bar 201. In one embodiment of the invention, the trailer hitch 103 may advantageously have a conical collar around the opening of the connection point. This is in order to make it easier to guide the tow bar 201 into place. Further a
5 magnet can help in guiding the tow bar 201 into place.

The tow bar 201 is controlled by at least one motor. This at least one motor can be electric, pneumatic or hydraulic. The at least one motor can be controlled either automatically by sensors, by using a remote control or by using other means of control mounted directly on the at least one motor or inside the vehicle, e.g. a
10 button placed close to the driver.

A camera can be placed on the rear end of the car. The camera can film the area around the tow bar. This camera can be combined with a reversing camera. The image that the camera captures can be displayed on a screen inside the vehicle 101. The image displayed on the screen may have guiding lines. These guiding lines
15 can aid in telling when the vehicle 101 and trailer 102 are positioned within the correct radius for connecting the trailer to the vehicle. The guide lines may be in the form of digitally constructed lines which are added to the images captured by the camera. Any other guiding devices could also be used.

Figure 2 shows a side view image of one embodiment of the present invention
20 wherein the tow bar 201 is activated and is on its way out from underneath the vehicle 101. When the tow bar 201 is not in use, it can be hidden underneath the vehicle 101. Upon activation of the tow bar 201, according to an embodiment of the present invention, it can be tilted downwards. This means that the back end of the tow bar is lowered. The tow bar can then be extended. Alternatively, either parts
25 of, or the entire part of the tow bar 201 is moved backwards. Finally, the tow bar 201 is raised so that the hook and ball top point upward.

Figure 3 shows a side view image of one embodiment of the present invention in which the trailer 102 is connected to the vehicle 101.

According to one embodiment of the invention, the support wheel 104 of the trailer
30 102 is raised when the tow bar 201 is attached. This feature can also be applied to support pillars if the trailer has these.

If the trailer 102 has parking brakes 105, these can be released automatically when the tow bar 201 is attached.

When disconnecting the trailer 102 from the vehicle 101, the user deactivates the tow bar 201. The procedure mentioned under the description of figure 2 is then reversed and the tow bar 201 again can be hidden under the vehicle.

5 During the disconnection process between the tow bar 201 and the trailer 102, the support wheel 104 or the support pillars of the trailer 102 are again lowered and the parking brakes 105 are activated if the trailer 102 has these features.

As a further alternative, the transmission of the control signals for controlling the lights on the trailer can be transmitted wirelessly.

10 Figure 4 is a perspective view of the present invention used on an articulated lorry. In this embodiment the pneumatic cables for the trailer brakes and the cables controlling the light signals between the vehicle and the trailer can be connected automatically.

15 In an even further embodiment, the trailer hitch on the trailer 103 and/or the tow bar 201 can be magnetic. This makes it easier for the tow bar 201 to connect to the trailer hitch on the trailer 103.

20 The tow bar 201 can be maneuvered in all three dimensions. This allows for an easier connection to the trailer. With this feature the tow bar 201 can connect to the trailer even if they are not perfectly aligned. When the tow bar and the trailer are connected, the tow bar 201 and the trailer 103 are centered automatically in order to make ready for driving.

25 A further alternative is that in addition to linking the tow bar 201 and the trailer 103 together, the pneumatic cables for the trailer brakes can also be connected automatically. One can also connect the cables controlling the light signals between the vehicle and the trailer automatically. One can imagine that the coupling itself is spring-loaded and/or moving to ease the connection.

30 An additional action that may be made easier by the present invention is the connecting of the safety chains or security bolts. When connecting trailers to larger vehicles, such as a truck or a dumper truck, one can make use of an automatic triggering of the safety pin when the trailer and the truck or dumper truck are properly connected. A possible solution for this is to have a switch mounted on the link that is only activated when the trailer and the truck or dumper truck are properly connected. Alternatively, this can be controlled from the cabin.

For connection between regular cars and trailers with brakes, it is common to use a safety chain. The connection of this safety chain can also be done automatically. One solution could be using a safety chain that is attached to the trailer and is dropped down when the tow bar/trailer hitch are connected.

- 5 When the trailer and the vehicle are connected properly, a confirmation in the form of an audible tone, a light signal or both can be given.

A further safety feature is that the tow bar will automatically return to its original position when disconnecting the trailer.

- 10 One can also imagine that there is a reversing sensor, rangefinder or a camera attached to the trailer which is activated automatically when connecting the trailer to the vehicle. If so, this will imply that reversing sensors, rangefinder or camera found on the vehicle automatically are disabled when connected to the trailer.

The camera found on the trailer is automatically activated during reversing when the trailer is connected to the vehicle.

- 15 It would also be appropriate to consider a form of notification if there is a faulty link between the vehicle and the trailer. This could be given in the form of an audible alarm, a light signal or both.

- 20 By coupling between trailers of larger type, and a truck or a dumper truck, it would be natural to imagine a system having an automatic rising of the pillars of the trailer.

The present invention is not restricted to a specific tow bar solution, but can be used for all types of couplings between tow bars and trailers. The system can be used on both a premounted tow bar and a retrofitted tow bar.

All signals and communication in this system can either be wireless or wired.

Claims

1. System for connecting or disconnecting a trailer (102) to a vehicle (101) comprising a tow bar (201) mounted to the vehicle (101), a trailer hitch mounted on the trailer (102), at least one motor mounted in connection with the tow bar (201), a control of said at least one motor and is further characterized in that said tow bar (201) automatically can connect to the trailer hitch mounted on the trailer (102) when these are within a predetermined radius of one another.
5
2. System according to claim 1 wherein said predetermined radius is determined by a device for assessing the distance between said vehicle (101) and said trailer hitch mounted on the trailer (102).
10
3. System according to claim 2 wherein said means for assessing the distance between said vehicle (101) and said trailer hitch mounted on the trailer (102) can be one or more proximity sensors.
4. System according to claim 2 wherein said means for assessing the distance between said vehicle (101) and said trailer hitch mounted on the trailer (102) may be a camera mounted on the rear of said vehicle (101).
15
5. System according to claim 4 wherein said camera transmits video to a monitor mounted within the vehicle (101) and on said images there are displayed guide lines.
20
6. System according to claim 1 wherein the opening of the trailer hitch mounted on the trailer (102) is conical.
7. System according to claim 1 wherein the trailer hitch mounted on the trailer (102) is magnetic.
8. System according to claim 1 wherein the parking brake (105) on the trailer (102) is automatically controlled by whether or not the tow bar (201) is connected to the trailer hitch (103).
25
9. System according to claim 1 wherein the support wheel (104) on the trailer (102) is automatically controlled by whether or not the tow bar (201) is connected to the trailer hitch (103).
30

10. System according to claim 1 wherein wireless transmission from the vehicle (101) to the trailer (102) provides control of the light signals on the trailer (102).
11. System according to claim 1 wherein the vehicle (101) can automatically maneuver itself to the correct predetermined working radius.
12. System according to claim 1 can be activated or deactivated via voice control, touch screen or remote control.
13. System according to claim 1 has an interlock preventing the activation or deactivation during speed.
14. System according to claim 1 wherein the tow bar or the trailer hitch mounted on the trailer, or both, may be resilient.
15. System according to claim 1 wherein the tow bar will automatically center itself for the driving position after it has been connected to the trailer hitch.
16. Method for automatically connecting or disconnecting a trailer (102) to a vehicle (101) comprising a tow bar (201) mounted to the vehicle (101), a trailer hitch mounted on the trailer (102), at least one motor mounted in connection with the tow bar (201), a control of said at least one motor and is further characterized in that a device evaluates the distance between said vehicle (101) and said trailer hitch mounted on the trailer (102), said device gives a signal to said control of said at least one motor to engage the tow bar (201) when the vehicle and the trailer hitch mounted on the trailer (102) are within the working radius.

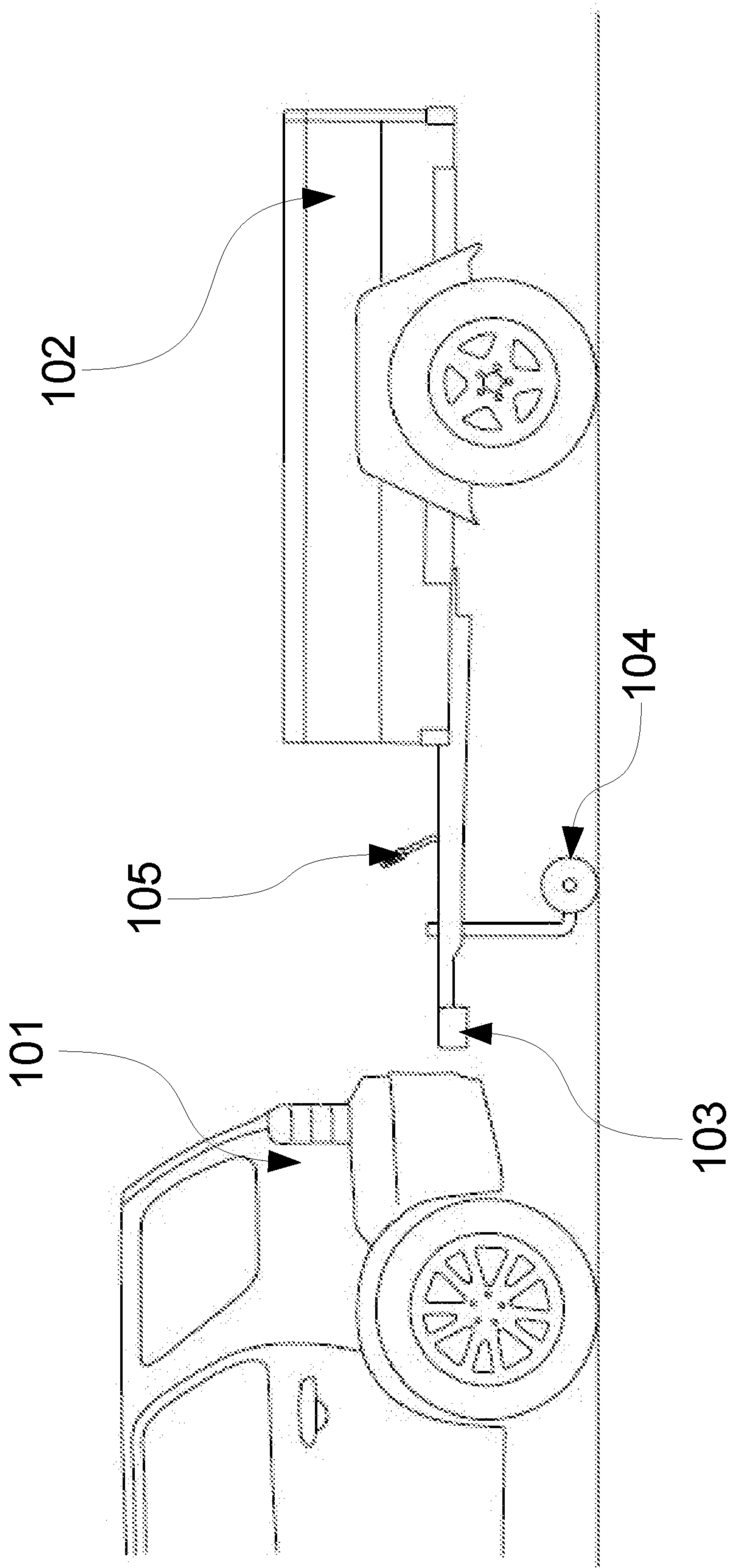


Fig. 1

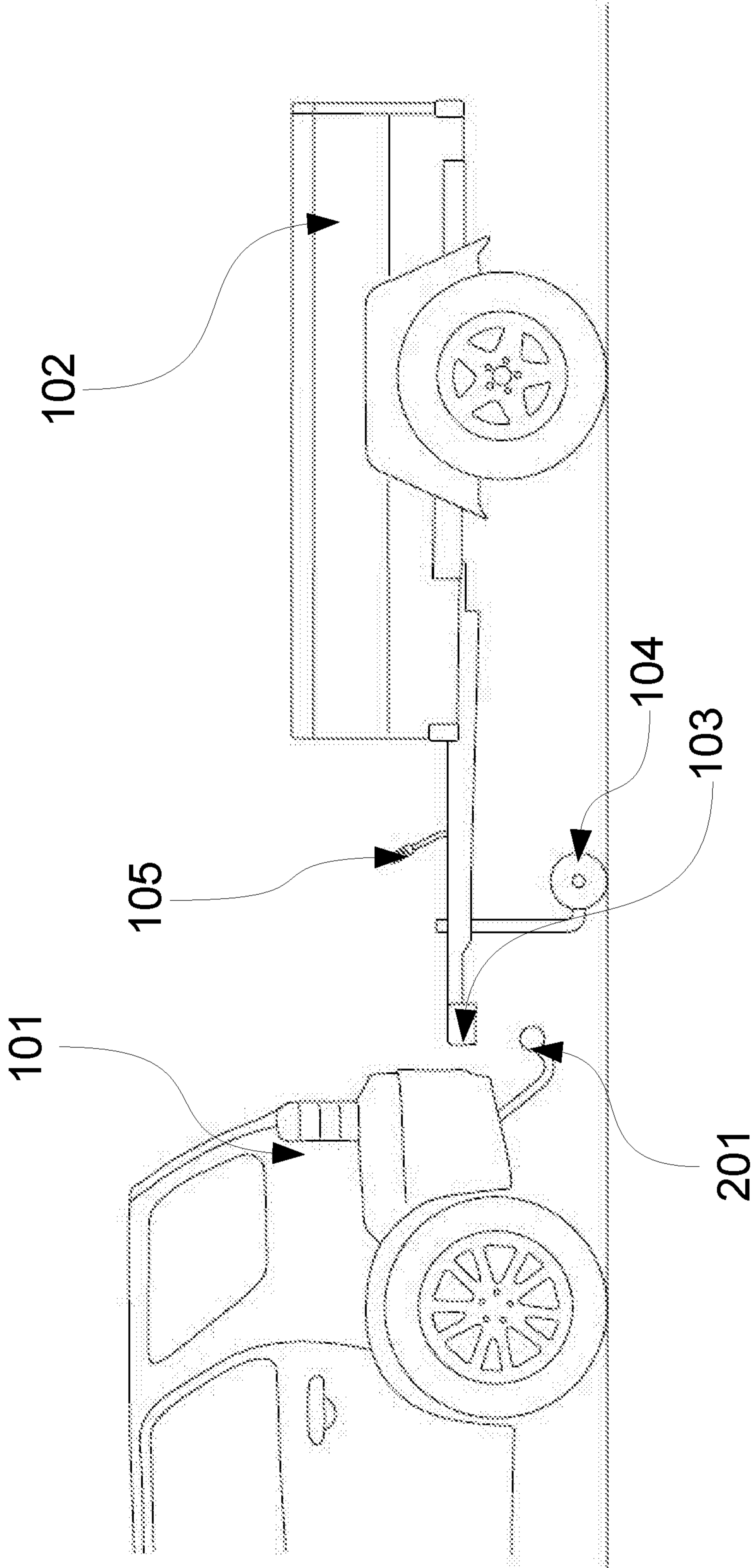


Fig. 2

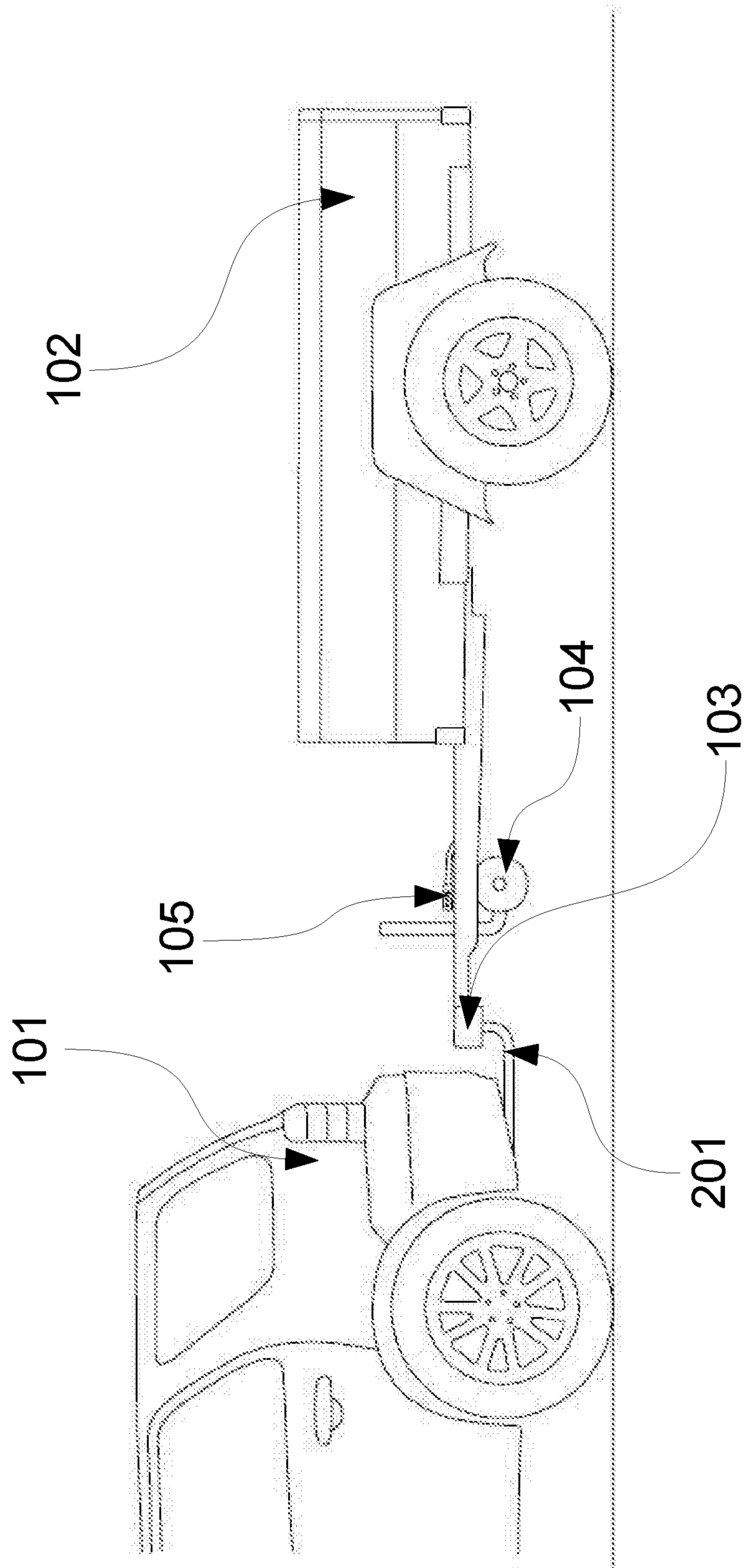


Fig. 3

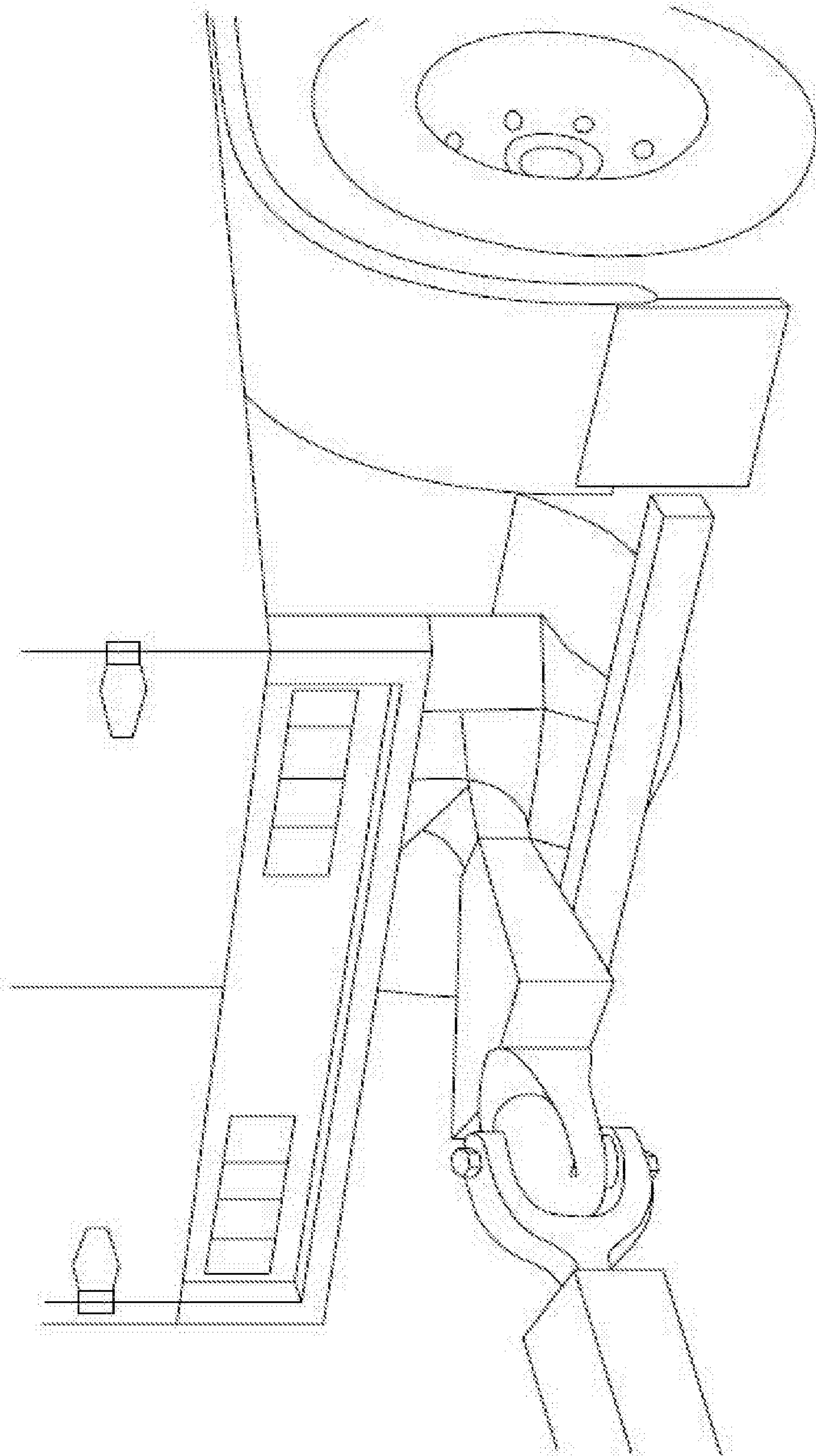


Fig. 4

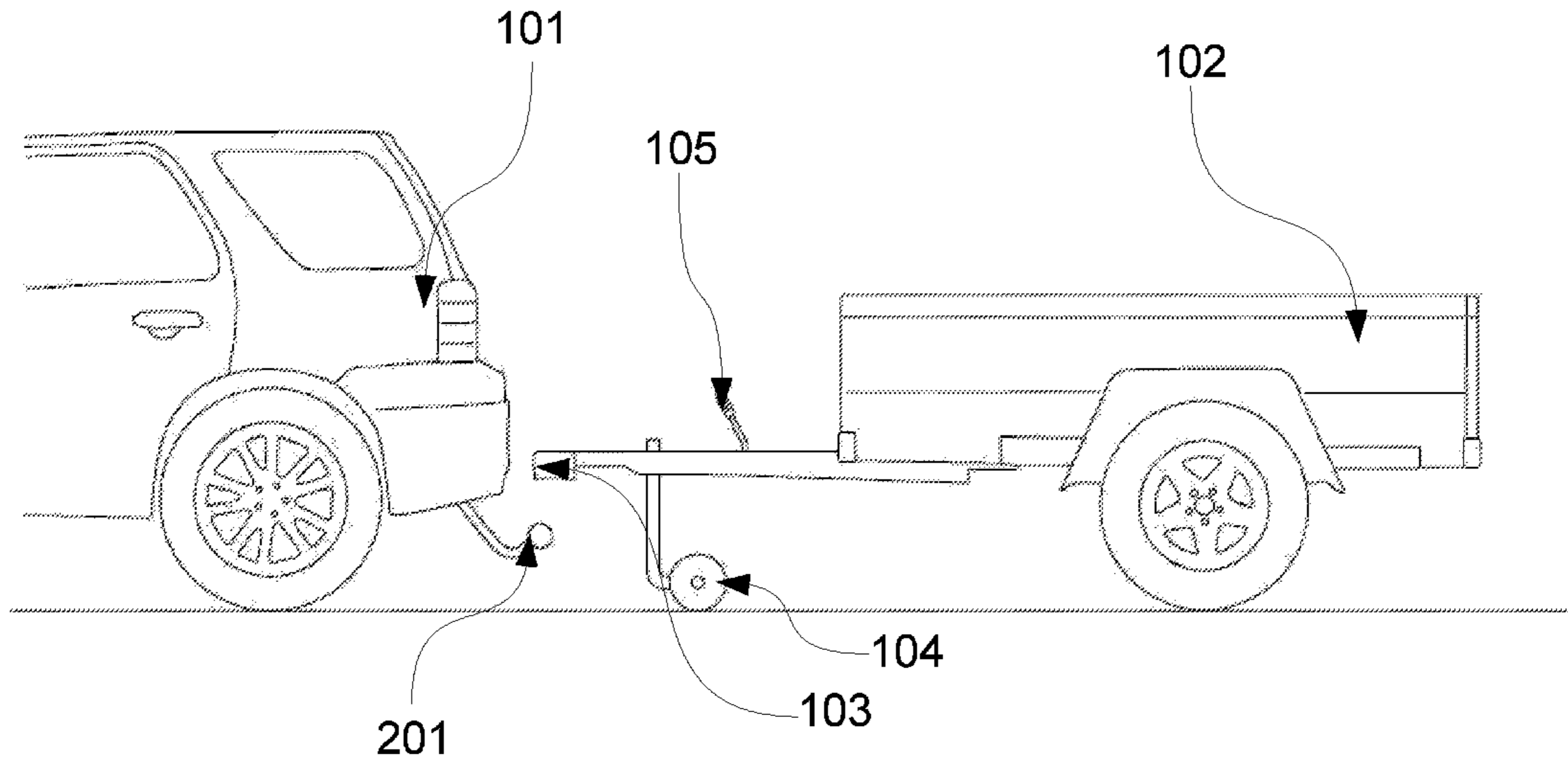


Fig. 2