



US00D548390S

(12) **United States Design Patent** (10) **Patent No.:** **US D548,390 S**
Lecluze (45) **Date of Patent:** **** Aug. 7, 2007**

(54) **TRIM FOR A LIGHT FIXTURE**
(75) Inventor: **Michel Lecluze**, St-Jean-Chrysostome (CA)
(73) Assignee: **Eclairage Contraste**, St-Jean-Chrysostome (CA)
(**) Term: **14 Years**
(21) Appl. No.: **29/219,896**
(22) Filed: **Dec. 27, 2004**

D473,965 S * 4/2003 Lecluze D26/74
D473,966 S * 4/2003 Lecluze D26/74
D474,298 S * 5/2003 Lecluze D26/74
D474,299 S * 5/2003 Lecluze D26/74
D474,300 S * 5/2003 Lecluze D26/74
D476,108 S * 6/2003 Lecluze D26/74
D487,816 S * 3/2004 Benghozi D26/118
D488,583 S * 4/2004 Benghozi D26/118
2001/0030865 A1 * 10/2001 Glowach et al. 362/294

* cited by examiner

Primary Examiner—Freda S. Nunn
Assistant Examiner—Kevin K. Rudzinski
(74) *Attorney, Agent, or Firm*—Goudreau Gage Dubuc

(51) **LOC (8) Cl.** **26-99**
(52) **U.S. Cl.** **D26/138; D26/74**
(58) **Field of Classification Search** D26/119, D26/118, 74, 72, 75, 120, 131, 138, 152, D26/67, 42, 46, 81, 83, 113, 123, 124, 128, D26/137, 115; 362/147, 362, 404-408, 364, 362/365, 296, 346, 366, 275, 257, 260, 433, 362/434
See application file for complete search history.

(57) **CLAIM**

The ornamental design for a trim for a light fixture, as shown and described.

DESCRIPTION

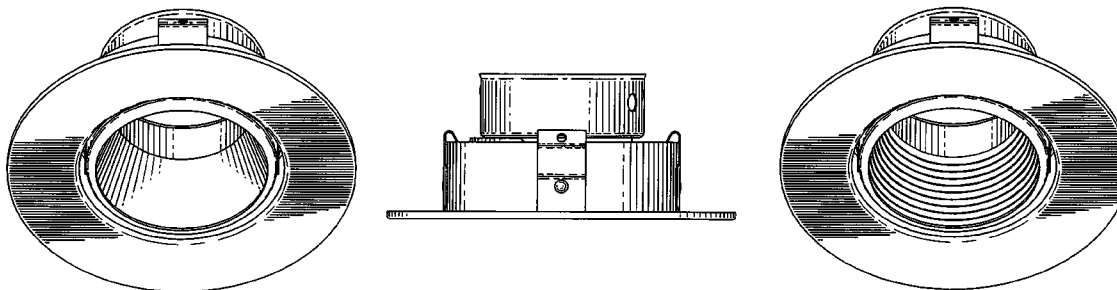
FIG. 1 is a perspective view of a first embodiment of the trim for light fixture showing my new design;
FIG. 2 is a bottom view thereof;
FIG. 3 is a side view thereof;
FIG. 4 is another side view thereof at 90° to that of FIG. 3;
FIG. 5 is an opposite side view thereof at 180° to that of FIG. 3;
FIG. 6 is a top plan view thereof;
FIG. 7 is a perspective view of a second embodiment of the trim for light fixture;
FIG. 8 is a bottom view thereof;
FIG. 9 is a side view thereof;
FIG. 10 is another side view thereof at 90° to that of FIG. 9;
FIG. 11 is an opposite side view thereof at 180° to that of FIG. 9; and,
FIG. 12 is a top plan view thereof.

(56) **References Cited**

U.S. PATENT DOCUMENTS

D247,562 S * 3/1978 Walker et al. D14/209
D326,729 S * 6/1992 Gattari D26/74
D347,292 S * 5/1994 Roos et al. D26/118
D370,550 S * 6/1996 Lecluze D26/118
D376,667 S * 12/1996 Lucluze D26/119
D380,852 S * 7/1997 Lecluze D26/118
D381,111 S * 7/1997 Lecluze D26/118
D381,454 S * 7/1997 Lecluze D26/118
D383,564 S * 9/1997 Lecluze D26/118
5,673,997 A * 10/1997 Akiyama 362/147
D386,277 S * 11/1997 Lecluze D26/74
D387,466 S * 12/1997 Lecluze D26/118
D397,472 S * 8/1998 Lecluze D26/118
D397,490 S * 8/1998 Lecluze D26/118
D399,590 S * 10/1998 Lecluze D26/118
D407,524 S * 3/1999 Lecluze D26/118
6,425,680 B1 * 7/2002 Rippel et al. 362/364

1 Claim, 6 Drawing Sheets



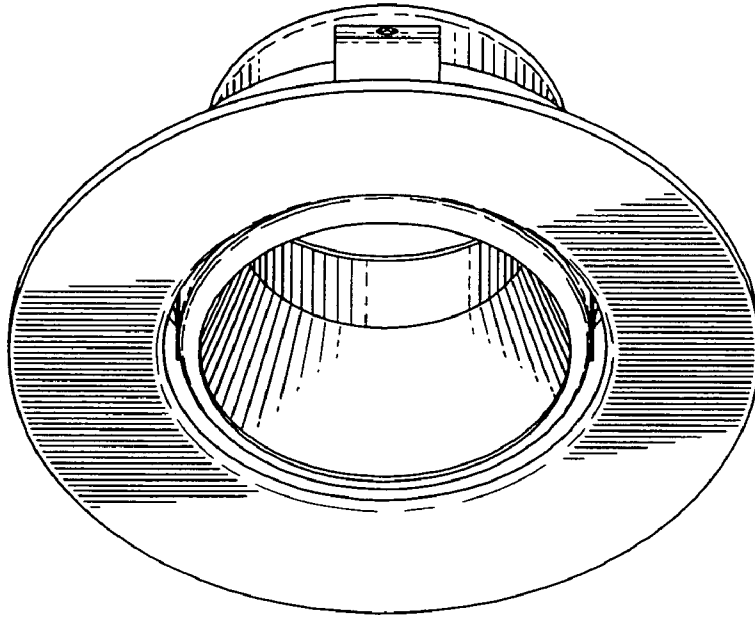


Fig-1

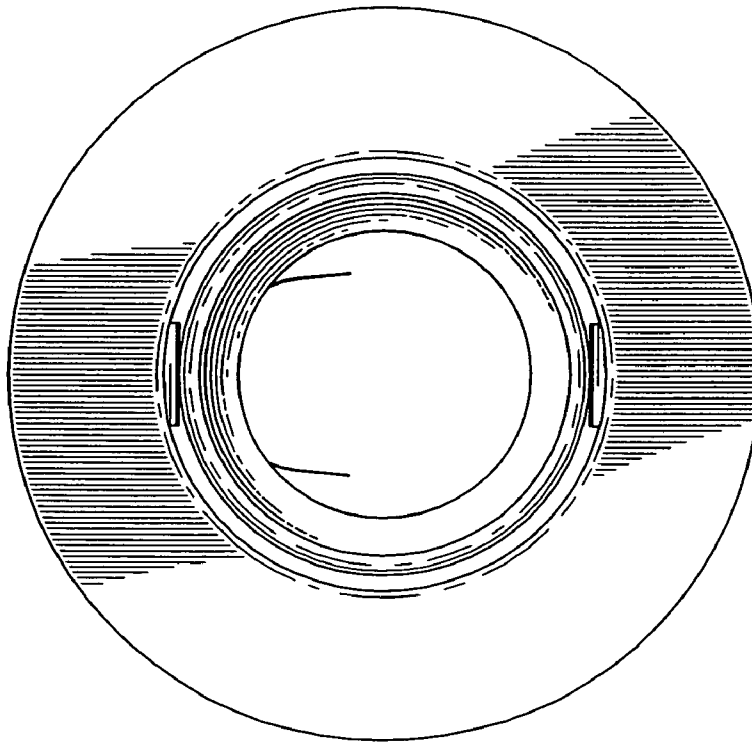


Fig-2

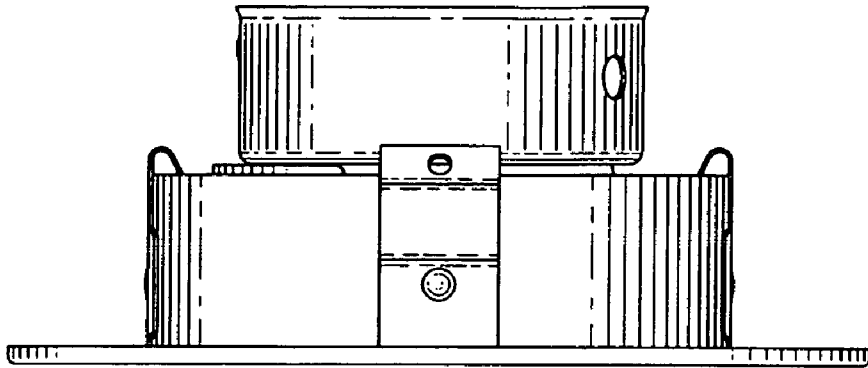


Fig-3

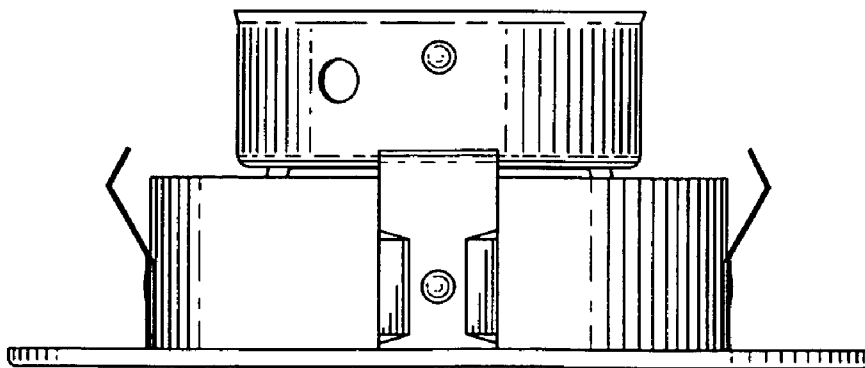


Fig-4

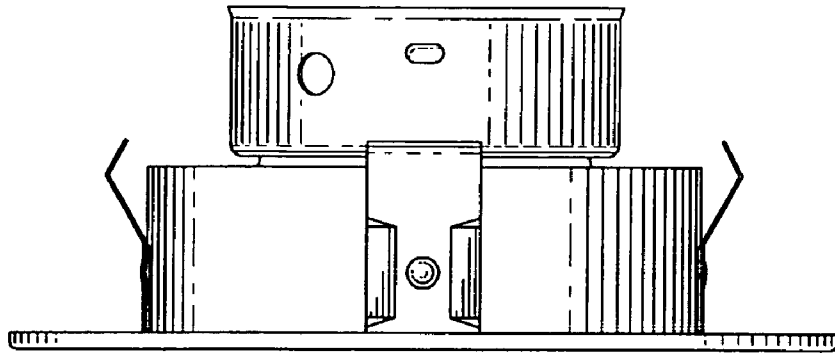


Fig-5

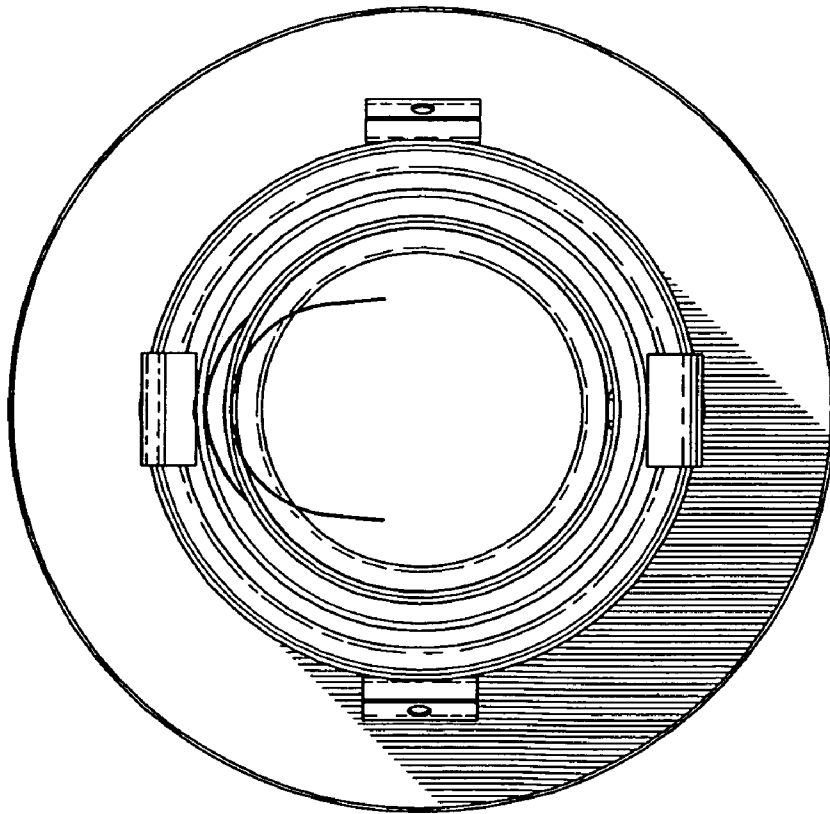


Fig-6

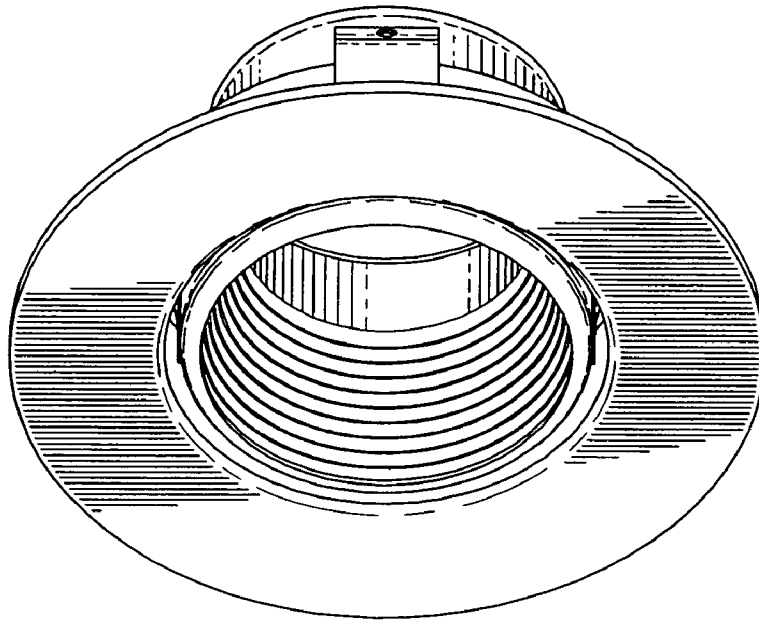


Fig-7

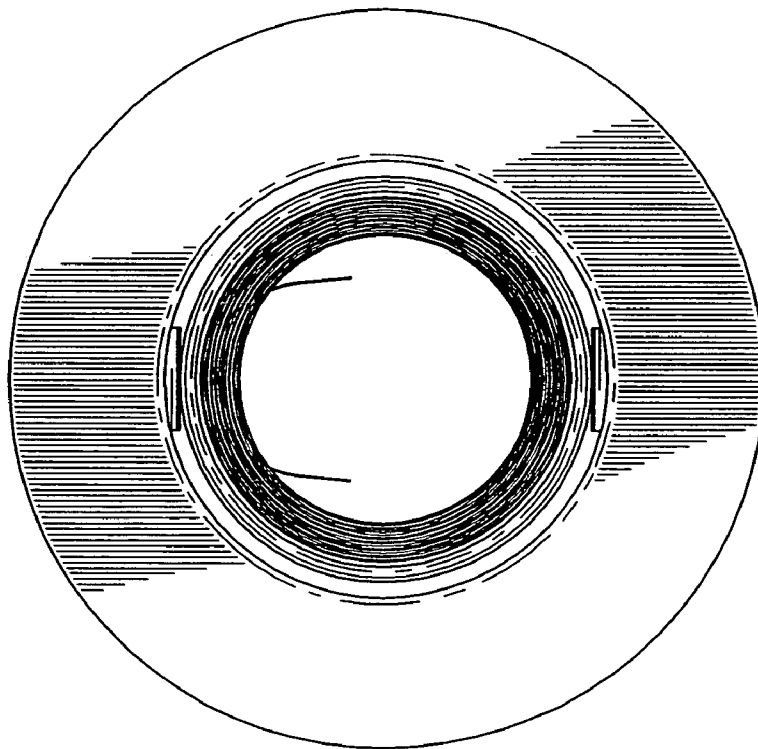


Fig-8

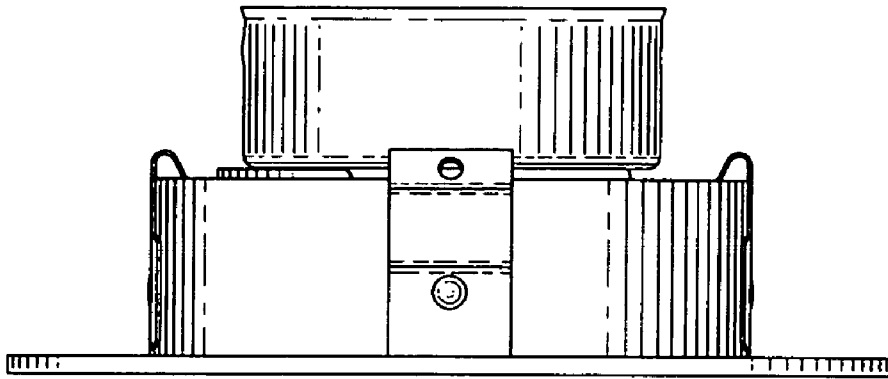


Fig-9

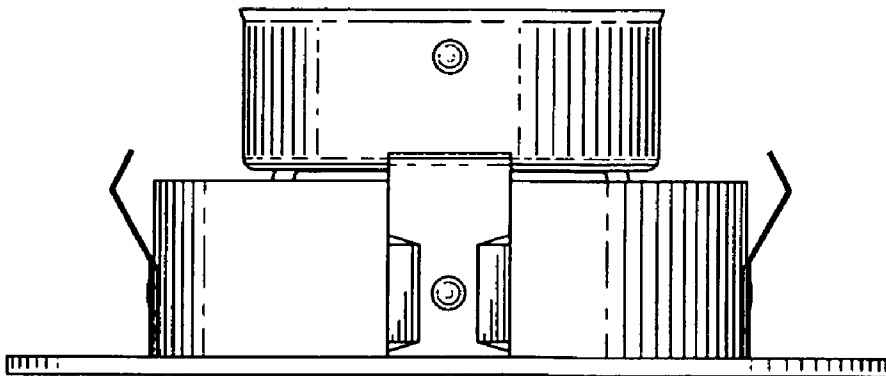


Fig-10

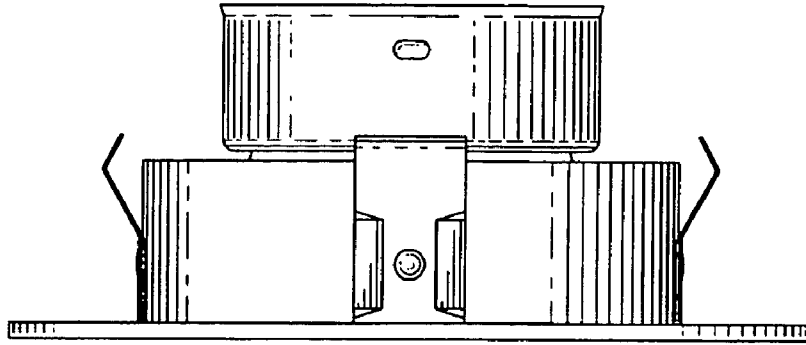


Fig-11

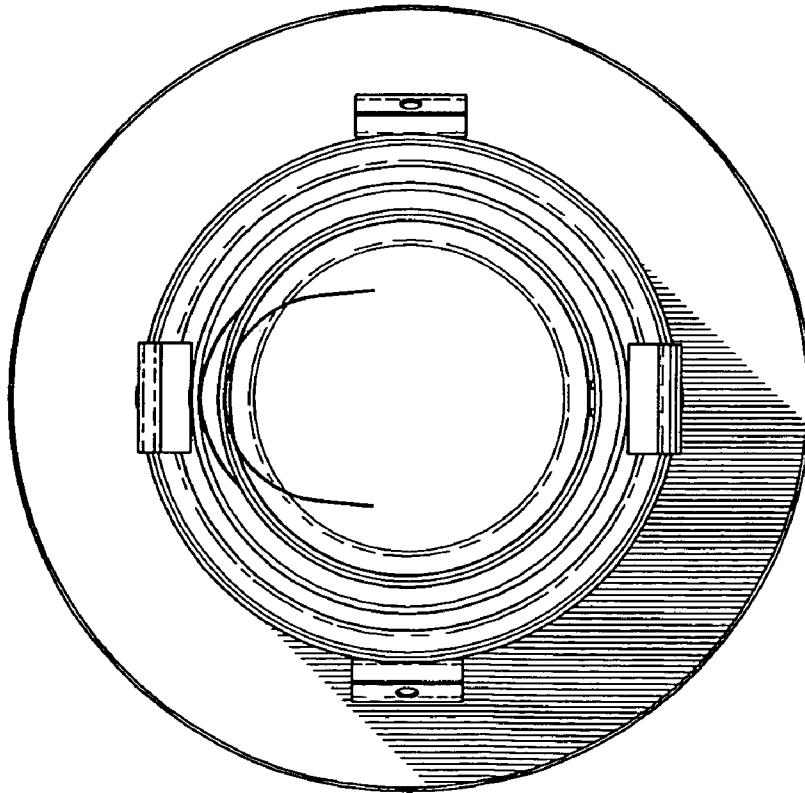


Fig-12