



(51) International Patent Classification:
F03D 9/00 (201 6.01)

(21) International Application Number:

PCT/IN20 15/000234

(22) International Filing Date:

9 June 2015 (09.06.2015)

(25) Filing Language:

English

(26) Publication Language:

English

(30) Priority Data:

2806/CHE/2014 9 June 2014 (09.06.2014) IN

(71) Applicants: ARUMUGAM RAJENDRABABU, KARTHIGEYAN [IN/IN]; No .20F, Vasu Apartments, 92nd Street, 18th Avenue, Ashok Nagar, 600083 Chennai (IN). RAJENDRABABU, SUDHARSAN [IN/IN]; No . 20F, Vasu Apartments, 92nd Street, 18th Avenue, Ashok Nagar, 600083 Chennai (IN).

(72) Inventor; and

(71) Applicant : ARUMUGAM, Rajendrababu [IN/IN]; No.20F, Vasu Apartments, 92ND Street, 18th Avenue, Ashok Nagar, 600083 Chennai (IN).

(81) Designated States (unless otherwise indicated, for every kind of national protection available): AE, AG, AL, AM, AO, AT, AU, AZ, BA, BB, BG, BH, BN, BR, BW, BY, BZ, CA, CH, CL, CN, CO, CR, CU, CZ, DE, DK, DM, DO, DZ, EC, EE, EG, ES, FI, GB, GD, GE, GH, GM, GT,

HN, HR, HU, ID, IL, IN, IR, IS, JP, KE, KG, KN, KP, KR, KZ, LA, LC, LK, LR, LS, LU, LY, MA, MD, ME, MG, MK, MN, MW, MX, MY, MZ, NA, NG, NI, NO, NZ, OM, PA, PE, PG, PH, PL, PT, QA, RO, RS, RU, RW, SA, SC, SD, SE, SG, SK, SL, SM, ST, SV, SY, TH, TJ, TM, TN, TR, TT, TZ, UA, UG, US, UZ, VC, VN, ZA, ZM, ZW.

(84) Designated States (unless otherwise indicated, for every kind of regional protection available): ARIPO (BW, GH, GM, KE, LR, LS, MW, MZ, NA, RW, SD, SL, ST, SZ, TZ, UG, ZM, ZW), Eurasian (AM, AZ, BY, KG, KZ, RU, TJ, TM), European (AL, AT, BE, BG, CH, CY, CZ, DE, DK, EE, ES, FI, FR, GB, GR, HR, HU, IE, IS, IT, LT, LU, LV, MC, MK, MT, NL, NO, PL, PT, RO, RS, SE, SI, SK, SM, TR), OAPI (BF, BJ, CF, CG, CI, CM, GA, GN, GQ, GW, KM, ML, MR, NE, SN, TD, TG).

Declarations under Rule 4.17 :

- as to applicant's entitlement to apply for and be granted a patent (Rule 4.1 7(H))
- as to the applicant's entitlement to claim the priority of the earlier application (Rule 4.1 7(in))

Published:

- with international search report (Art. 21(3))
- before the expiration of the time limit for amending the claims and to be republished in the event of receipt of amendments (Rule 48.2(h))

[Continued on nextpage]

(54) Title: CONSTANT WIND ENERGY GENERATING SYSTEM

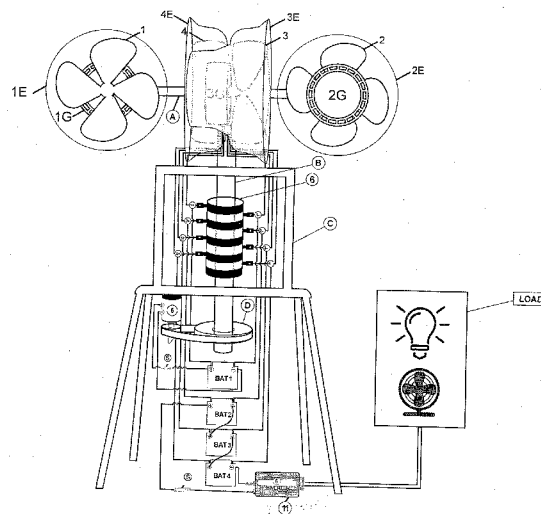


FIGURE 1

(57) Abstract: This invention aims to develop a wind mill in which the wind energy is obtained all throughout the year without any constraints. The said wind mill will function independent of the wind velocity and the location. The cost of production and installation of the said wind mill will be less when compared to the presently available wind mill equipments. The wind movement in any direction will be captured by this wind mill and the energy is generated. The said wind mill will have easy installation capability on any building such that it can serve the domestic as well as industrial purpose.



(88) Date of publication of the international search report:
24 March 2016

INTERNATIONAL SEARCH REPORT

International application No.

PCT/IN2015/000234

A. CLASSIFICATION OF SUBJECT MATTER
F03D9/00 Version=2016 .01

According to International Patent Classification (IPC) or to both national classification and IPC

B. FIELDS SEARCHED

Minimum **documentation** searched (**classification** system followed by classification symbols)

F03D

Documentation searched other than minimum **documentation** to the extent that such documents are included in the fields searched

Electronic data base consulted during **the international search** (name of data base and, where practicable, search terms used)

IPO Internal Database.

C. DOCUMENTS CONSIDERED TO BE RELEVANT

Category*	Citation of document, with indication, where appropriate, of the relevant passages	Relevant to claim No.
Y	CN 101922418 B (UNIV CHONGQING) 9 November 2011 see the claims and abstract.	1-12
Y	CN 1328506 C (HAN YONGQIN) 25 July 2007 see the claims and abstract.	1-12
Y	CN 101956675 B (KECHAO MA) 20 June 2012 see the claims and abstract.	1-12
Y	CN 203394687 U (WENZHOU YINYI SHOES CO LTD) 15 January 2014 see the claims and abstract .	1-12

Further documents are listed in the continuation of Box C.

See patent family annex.

* Special categories of cited documents:

"A" document defining the general state of the art which is not considered to be of particular relevance

"I" later document published after the international filing date or priority date and not in conflict with the application but cited to understand the principle or theory underlying the invention

"E" earlier application or patent but published on or after the international filing date

"X" document of particular relevance; the claimed invention cannot be considered novel or cannot be considered to involve an inventive step when the document is taken alone

"L" document which may throw doubts on priority claim(s) or which is cited to establish the publication date of another citation or other special reason (as specified)

"Y" document of particular relevance; the claimed invention cannot be considered to involve an inventive step when the document is combined with one or more other such documents, such combination being obvious to a person skilled in the art

"O" document referring to an oral disclosure, use, exhibition or other means

"&" document member of the same patent family

"P" document published prior to the international filing date but later than the priority date claimed

Date of the actual completion of the international search

01-02-2016

Date of mailing of the international search report

01-02-2016

Name and mailing address of the ISA/

Indian Patent Office
Plot No. 32, Sector 14, Dwarka, New Delhi-110075
Facsimile No.

Authorized officer

Ashfaq Ahmad

Telephone No. +91-1125300200

INTERNATIONAL SEARCH REPORT
Information on patent family members

International application No.
PCT/IN2015/000234

Citation	Pub.Date	Family	Pub.Date
CN 1328506 C	25-07-2007	CN 1702322 A	30-11-2005
CN 101956675 B	20-06-2012	US 2013280072 A1	24-10-2013
		WO 2012055313 A1	03-05-2012