

[54] **DOUBLE BACK SWING SEAT**
 [76] **Inventor: Larry D. Campbell, Rte. 3, Box 296C, Tecumseh, Okla. 74873**
 [**] **Term: 14 Years**
 [21] **Appl. No.: 43,236**
 [22] **Filed: Apr. 27, 1987**
 [52] **U.S. Cl. D21/246**
 [58] **Field of Search D21/240-252; D25/100-101, 62-69, 102-125; D6/335, 344, 347, 357, 370, 374-376, 380; 272/1 A, 1 R, 85, 56.5 R; 297/232, 244, 254, 277**

1098830 2/1961 Fed. Rep. of Germany 297/244
 1362067 4/1964 France 446/482

OTHER PUBLICATIONS

Washington Post, 6/26/1977, Patio Swing, Trio Aluminum Lawn & Garden Accessories, Trellis Panels, Model 12A32.

Primary Examiner—Bernard Ansher
Assistant Examiner—C. Tuttle
Attorney, Agent, or Firm—Glen M. Burdick

[57] **CLAIM**

The ornamental design for a double back swing seat, as shown and described.

[56] **References Cited**

U.S. PATENT DOCUMENTS

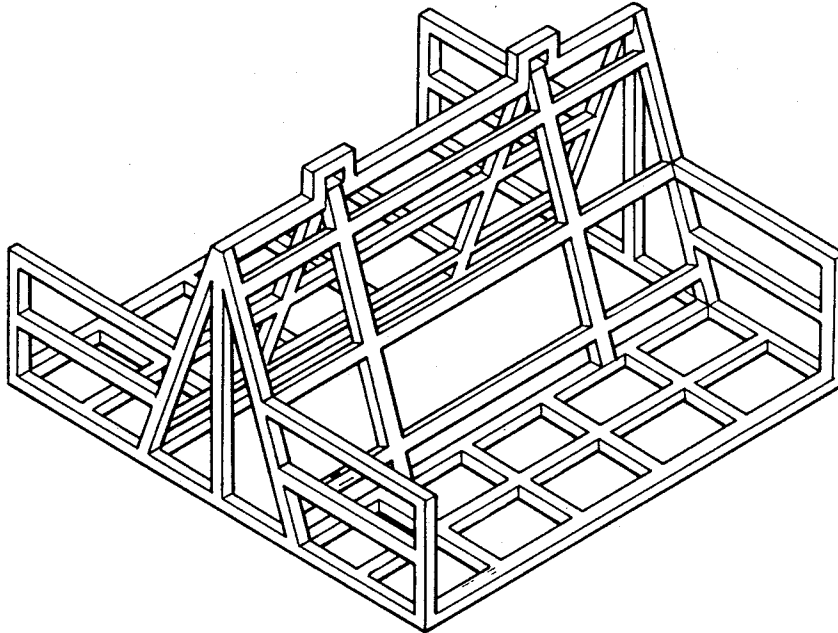
D. 35,474	12/1901	Glentzer	D25/100
D. 57,644	4/1921	Haase	D6/370 X
D. 106,242	9/1937	Salomon	D6/357
D. 226,112	1/1973	Tomalinas	D6/346 X
D. 266,545	10/1982	Caldwell	D6/357
657,111	9/1900	Hayes	272/85
2,279,946	4/1942	Johnson	297/244
3,462,195	8/1969	Allen	272/85 X

FOREIGN PATENT DOCUMENTS

227884	4/1960	Australia	272/85
--------	--------	-----------------	--------

DESCRIPTION

FIG. 1 is a front elevational view of a double back swing seat showing my new design;
 FIG. 2 is a rear elevational view thereof;
 FIG. 3 is a left side elevational view thereof;
 FIG. 4 is a right side elevational view thereof;
 FIG. 5 is a top plan view thereof;
 FIG. 6 is a bottom plan view thereof;
 FIG. 7 is a top perspective view thereof rotated 90° from the left of FIG. 1; and
 FIG. 8 is a bottom perspective view thereof rotated 90° from the left of FIG. 6.



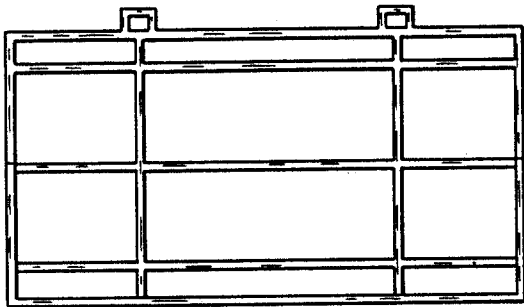


Fig. 1

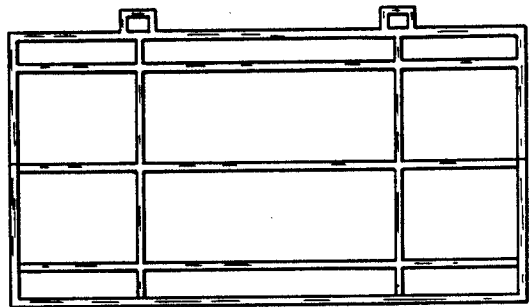


Fig. 2

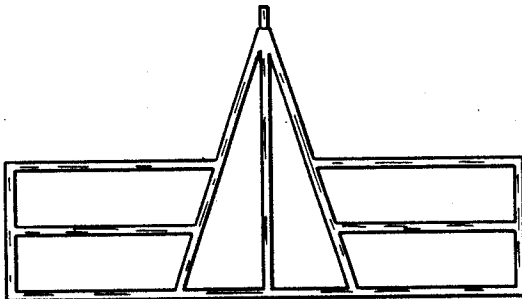


Fig. 3

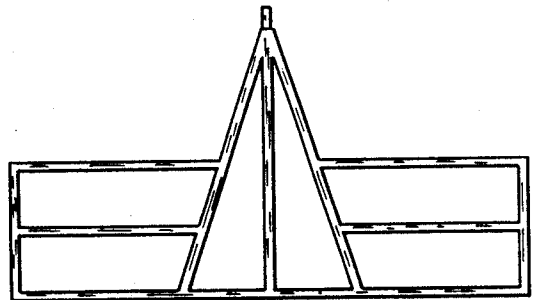


Fig. 4

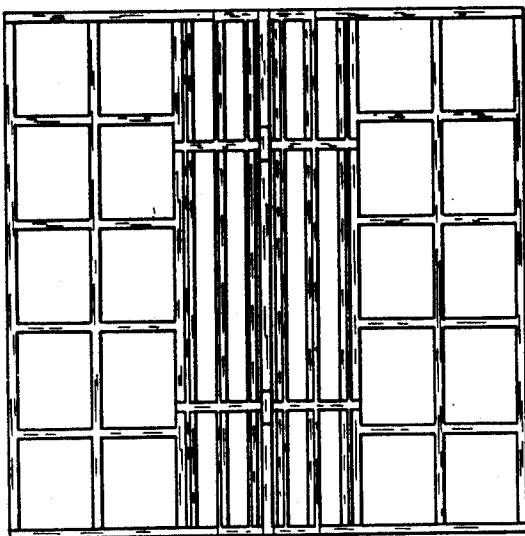


Fig. 5

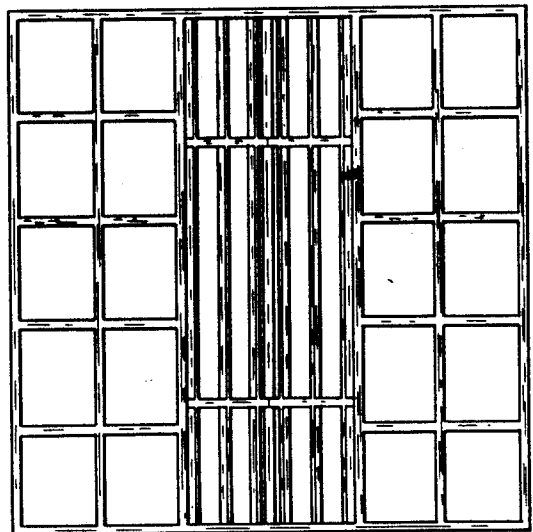


Fig. 6

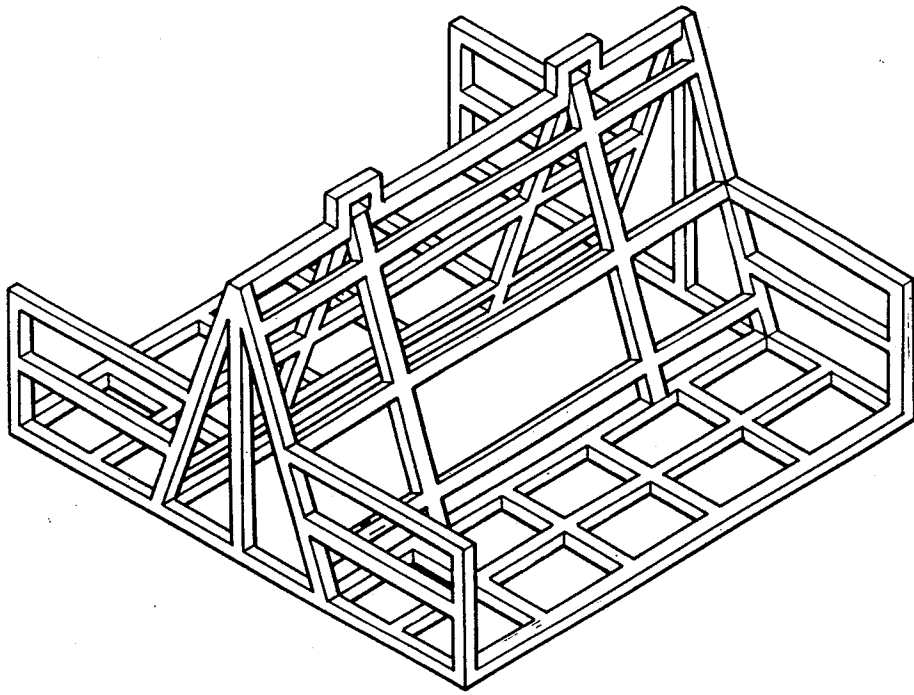


Fig. 7

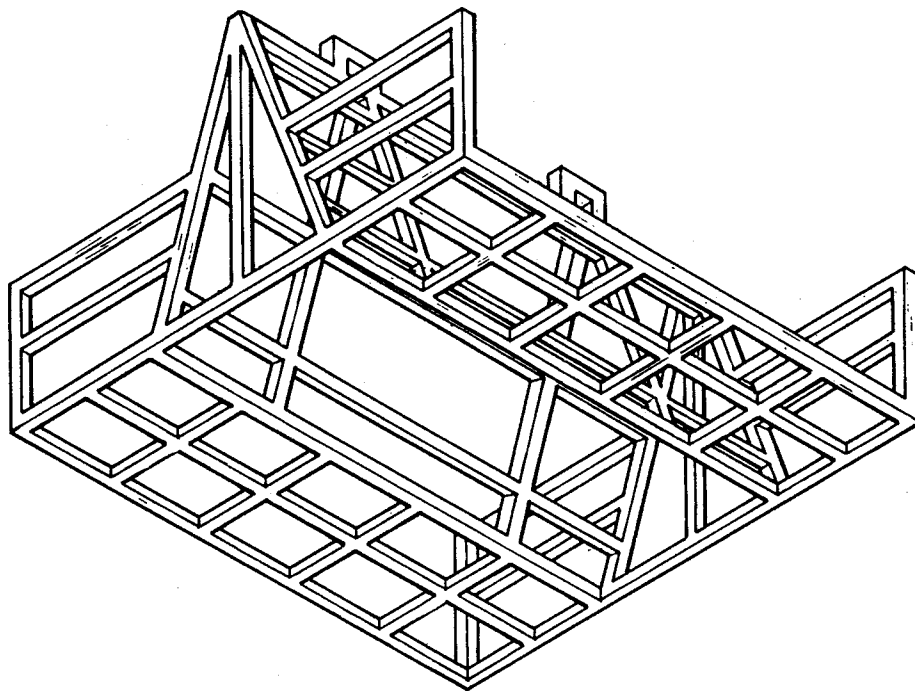


Fig. 8