



US00D979679S

(12) **United States Design Patent** (10) **Patent No.:** **US D979,679 S**  
**Toulon et al.** (45) **Date of Patent:** **\*\* Feb. 28, 2023**

(54) **PUTTER HEAD**  
(71) Applicant: **Callaway Golf Company**, Carlsbad, CA (US)  
(72) Inventors: **Sean Toulon**, Vista, CA (US); **Luke Williams**, Carlsbad, CA (US); **Patrick Dawson**, Poway, CA (US); **JulieAnn Larson**, Oceanside, CA (US); **Keith Kingston**, Carlsbad, CA (US)  
(73) Assignee: **Topgolf Callaway Brands Corp.**, Carlsbad, CA (US)

D774,607 S \* 12/2016 Serrano ..... D21/743  
D774,610 S \* 12/2016 Serrano ..... D21/744  
9,757,626 B2 \* 9/2017 Quan ..... A63B 53/007  
10,105,578 B2 \* 10/2018 Quan ..... A63B 60/00  
D840,482 S \* 2/2019 Serrano ..... D21/736  
D879,222 S \* 3/2020 Serrano ..... D21/742  
D898,848 S \* 10/2020 Clarke ..... D21/743  
D928,259 S \* 8/2021 Andrews ..... D21/736  
D954,873 S \* 6/2022 Andrews ..... D21/736  
D972,057 S \* 12/2022 Clarke ..... D21/743  
2014/0128173 A1 \* 5/2014 Quan ..... A63B 53/0487  
427/430.1  
2017/0036078 A1 \* 2/2017 Serrano ..... A63B 53/0487

\* cited by examiner

(\*\*) Term: **15 Years**

*Primary Examiner* — Mitchell I. Siegel

(21) Appl. No.: **29/797,859**

(74) *Attorney, Agent, or Firm* — Michael A. Catania;  
Rebecca Hanovice; Sonia Lari

(22) Filed: **Jul. 2, 2021**

(57) **CLAIM**

(51) **LOC (14) Cl.** ..... **21-02**

The ornamental design for a putter head, as shown and described.

(52) **U.S. Cl.**  
USPC ..... **D21/736**

**DESCRIPTION**

(58) **Field of Classification Search**  
USPC ..... D21/736–746, 759  
CPC ..... A63B 53/00; A63B 53/04; A63B 53/007;  
A63B 53/065; A63B 53/0487; A63B  
60/00; A63B 60/46

FIG. 1 is a rear perspective view of the putter head claimed herein;  
FIG. 2 is a front elevational view thereof;  
FIG. 3 is a rear elevational view thereof;  
FIG. 4 is a left side elevational view thereof;  
FIG. 5 is a right side elevational view thereof;  
FIG. 6 is a top plan view thereof; and,  
FIG. 7 is a bottom plan view thereof.  
The broken lines shown in the drawings form no part of the claimed design.

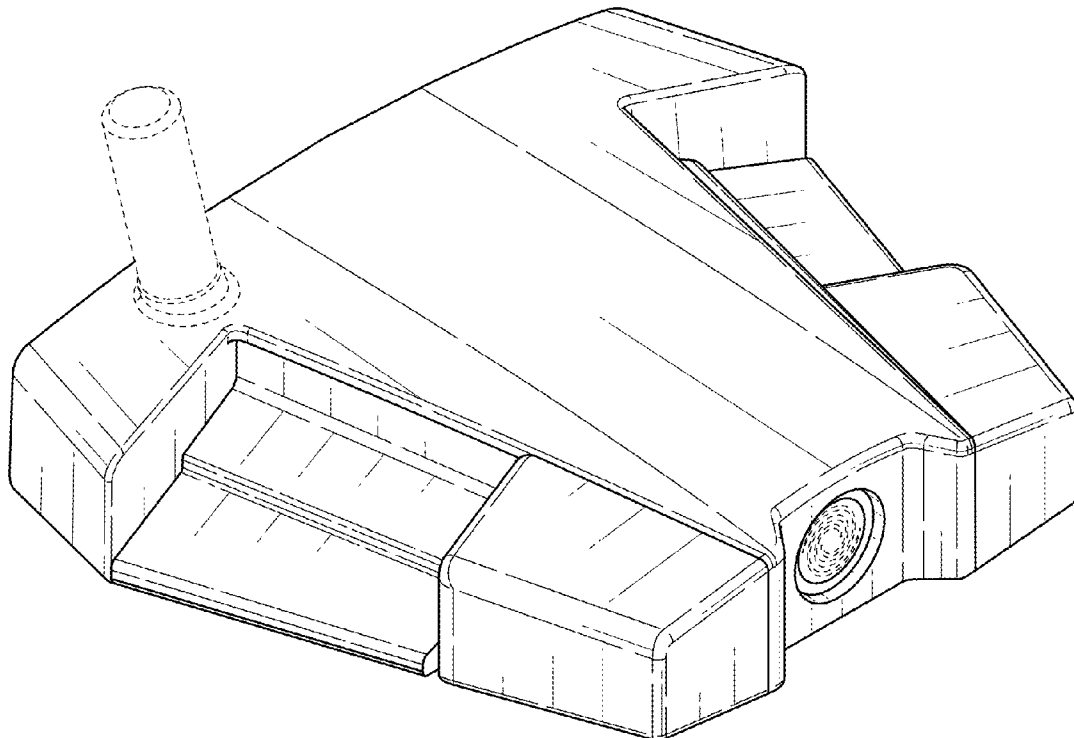
See application file for complete search history.

(56) **References Cited**

**U.S. PATENT DOCUMENTS**

D653,718 S \* 2/2012 Stokke ..... D21/743  
D715,388 S \* 10/2014 Serrano ..... D21/743

**1 Claim, 5 Drawing Sheets**



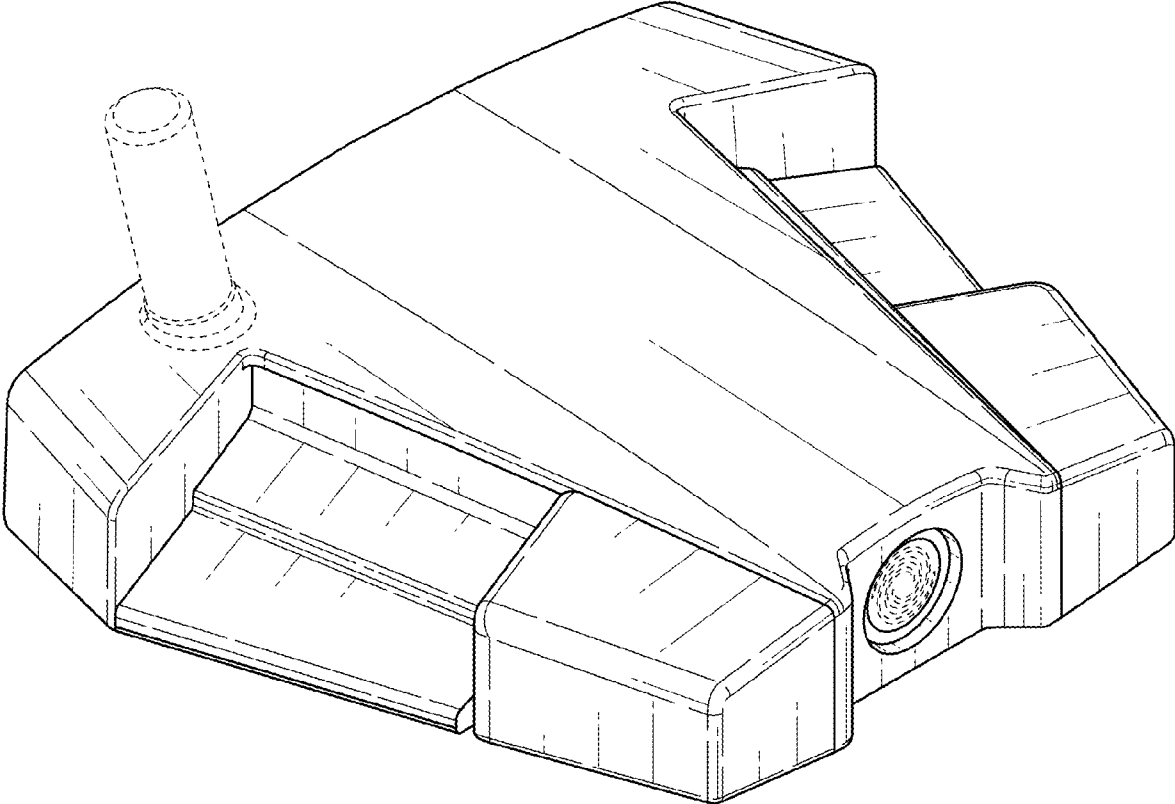


FIG. 1

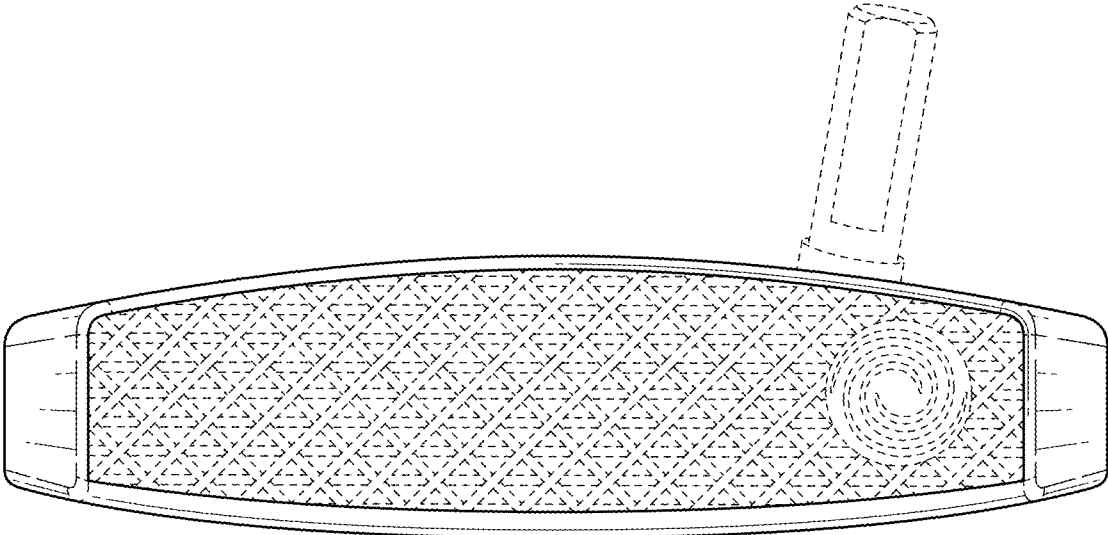


FIG. 2

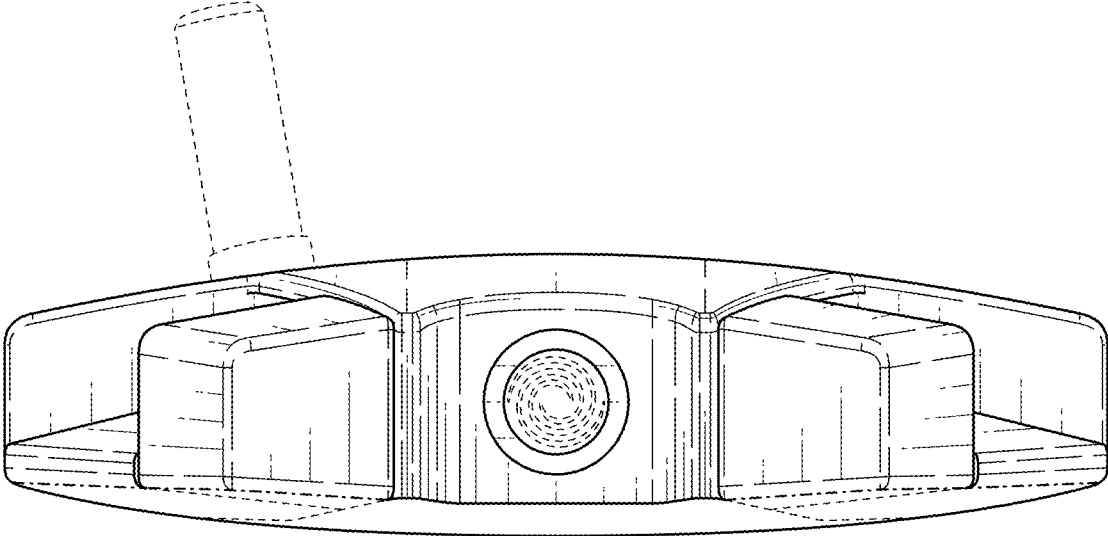


FIG. 3

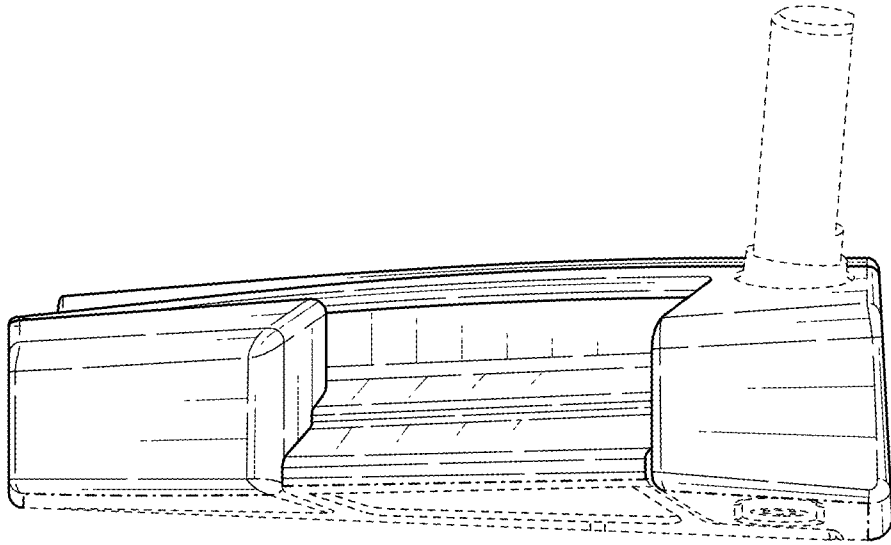


FIG. 4

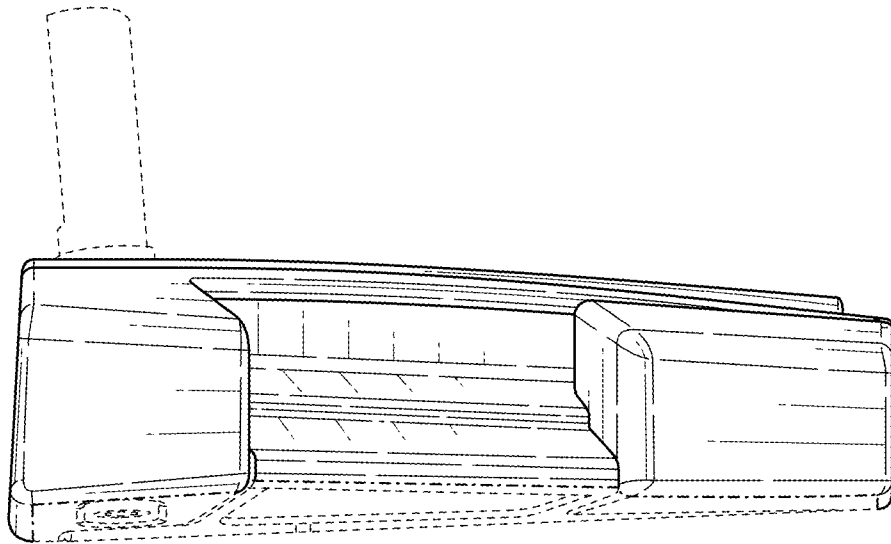


FIG. 5

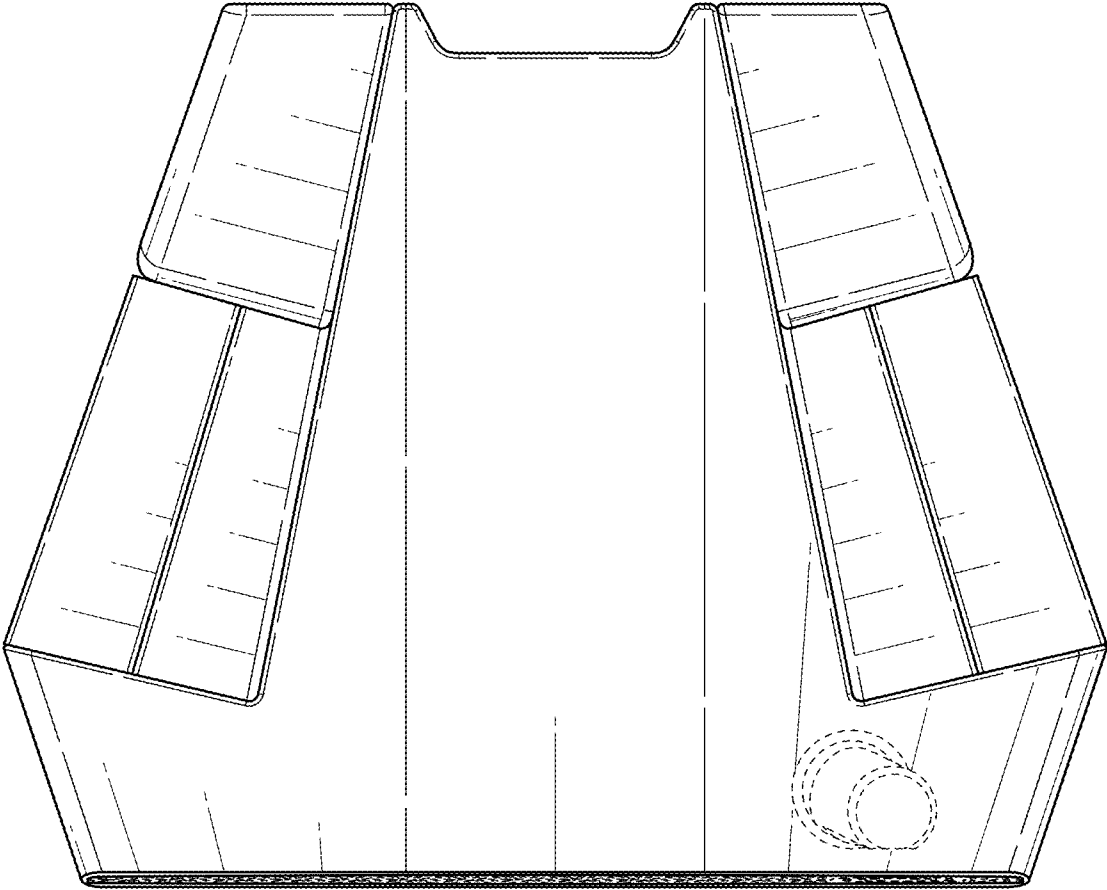


FIG. 6

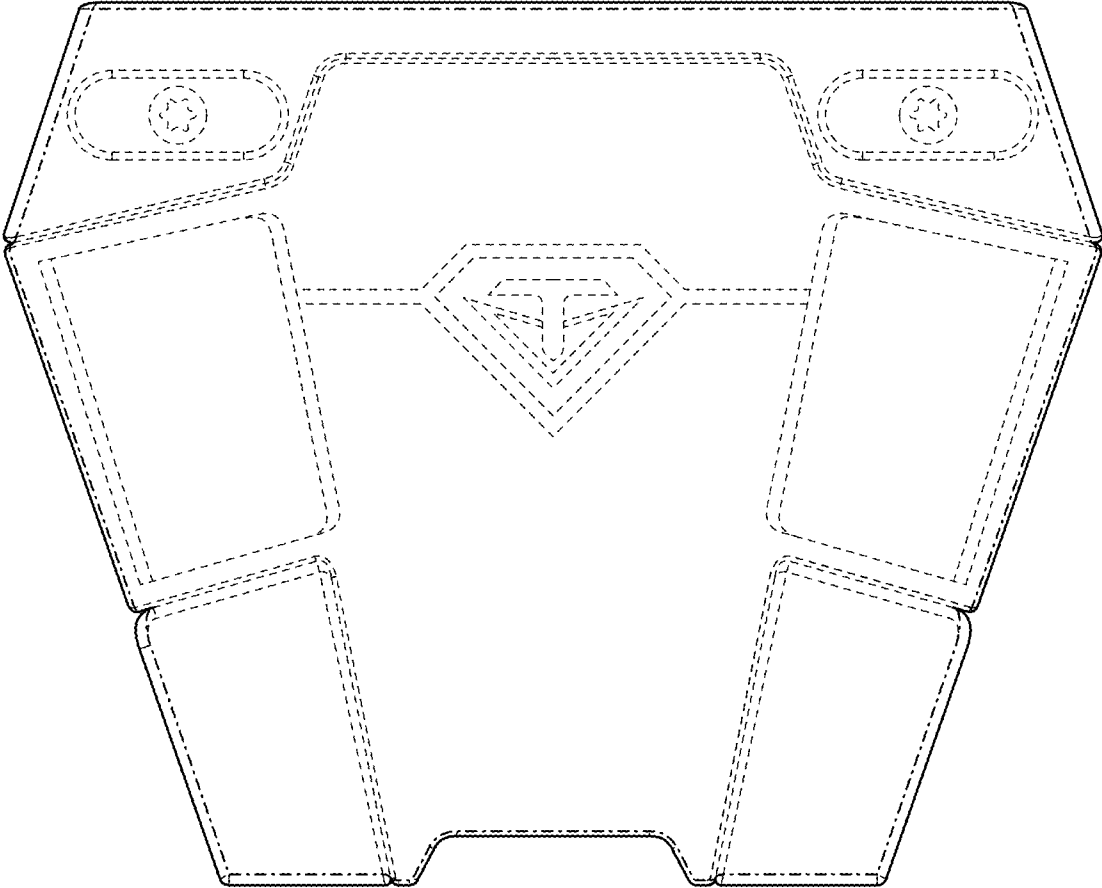


FIG. 7