



US00D495805S1

(12) **United States Design Patent**
Lea et al.

(10) **Patent No.:** US D495,805 S

(45) **Date of Patent:** ** *Sep. 7, 2004

(54) **ASSAY DEVICE**

(75) **Inventors:** Peter Lea, Toronto (CA); Michelle Gal, Toronto (CA); Nicole Szabados Haynes, Toronto (CA)

(73) **Assignee:** Umedik, Inc., Toronto (CA)

(*) **Notice:** This patent is subject to a terminal disclaimer.

(**) **Term:** 14 Years

(21) **Appl. No.:** 29/144,399

(22) **Filed:** Jul. 2, 2001

Related U.S. Application Data

(63) Continuation-in-part of application No. 09/866,305, filed on May 25, 2001.

(51) **LOC (7) Cl.** 24-04

(52) **U.S. Cl.** D24/223; D24/216; D24/225

(58) **Field of Search** D24/225, 224, D24/223, 220; 422/102, 104, 58, 56, 57, 61, 87; 436/518

(56) **References Cited**

U.S. PATENT DOCUMENTS

D308,722 S * 6/1990 Chang et al. D24/223

5,238,652 A * 8/1993 Sun et al. 422/58
5,260,221 A * 11/1993 Ramel et al. 422/56
5,597,532 A * 1/1997 Connolly 422/56
D384,164 S * 9/1997 Leiva et al. D24/223
D405,539 S * 2/1999 Poissant et al. D24/223
D456,082 S * 4/2002 Bouse et al. D24/223

* cited by examiner

Primary Examiner—Ian Simmons

(74) *Attorney, Agent, or Firm*—Dimock Stratton Clarizio; Adrian M. Kaplan

(57) **CLAIM**

The ornamental design for an assay device, as shown and described.

DESCRIPTION

FIG. 1 is a perspective view of a first embodiment of an assay device, according to our design; FIG. 2 is a top view of the assay device of FIG. 1; FIG. 3 is a bottom view of the assay device of FIG. 1; FIG. 4 is a front side view of the assay device of FIG. 1; FIG. 5 is a right side view of the assay device of FIG. 1; and FIG. 6 is a left side view of the assay device of FIG. 1; FIG. 7 is a perspective view of the assay device of FIG. 1 with the cover removed; and, FIG. 8 is a perspective view of a second embodiment of the assay device showing our new design.

1 Claim, 6 Drawing Sheets

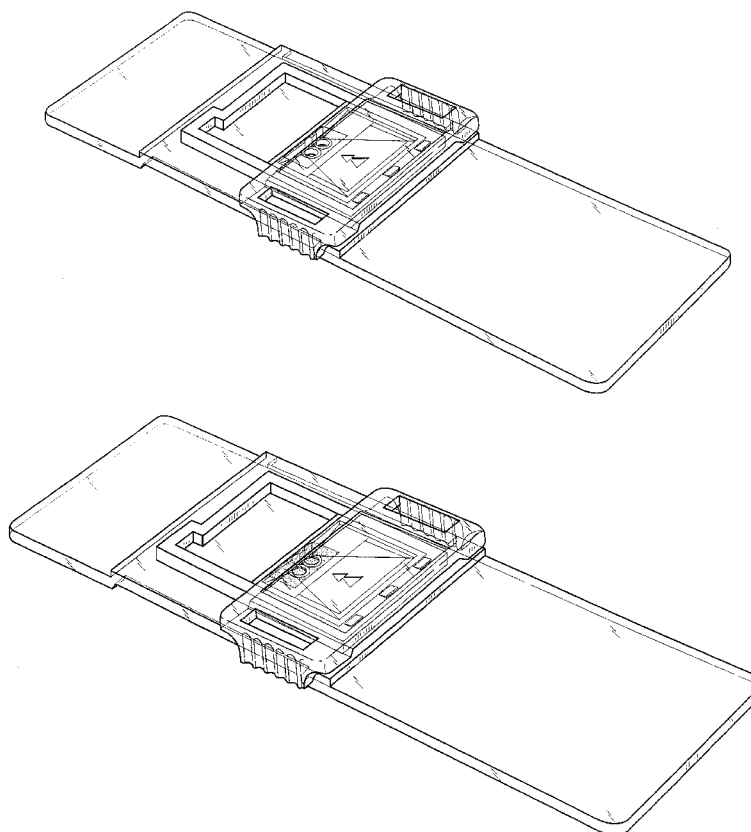


FIG. 1

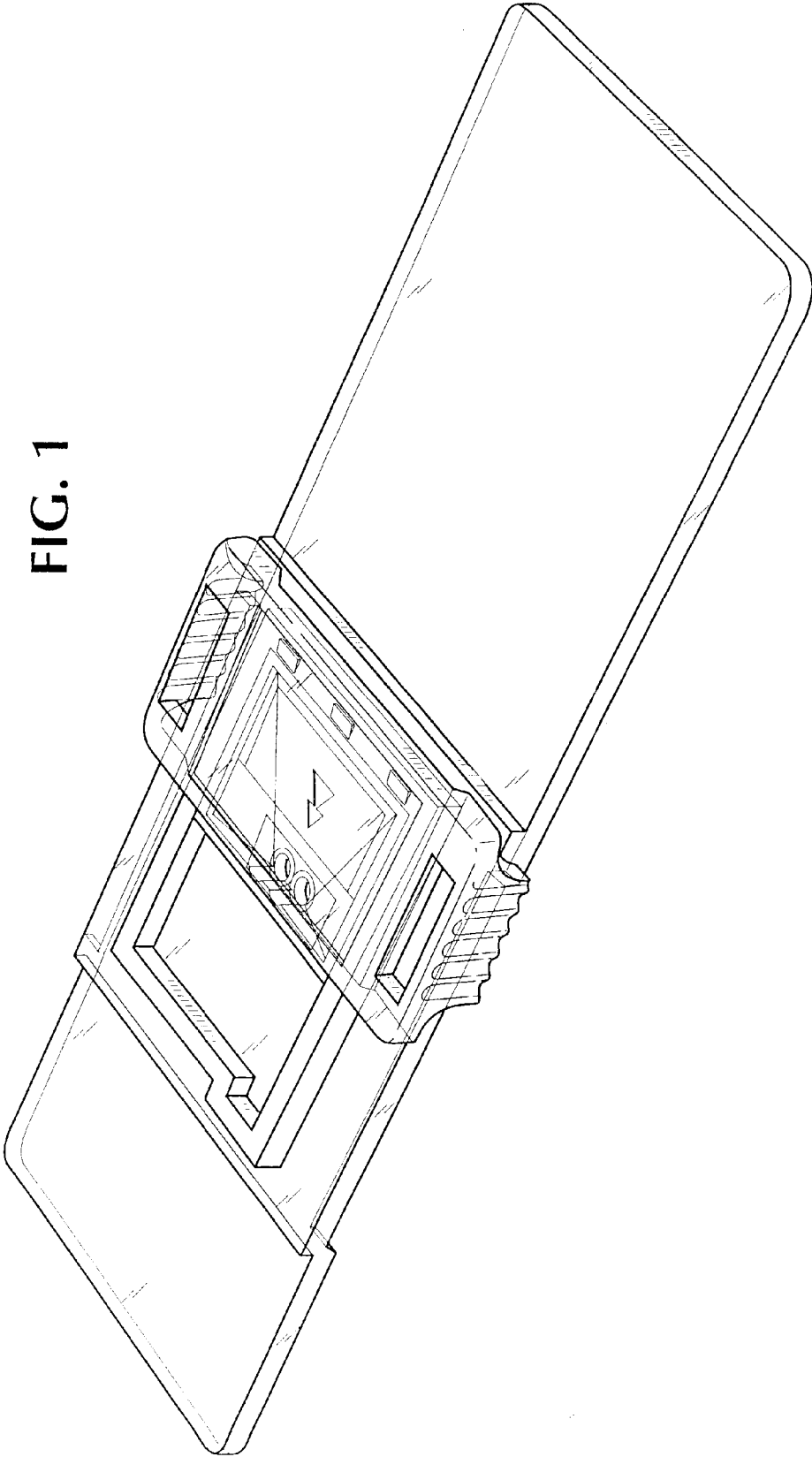


FIG. 2

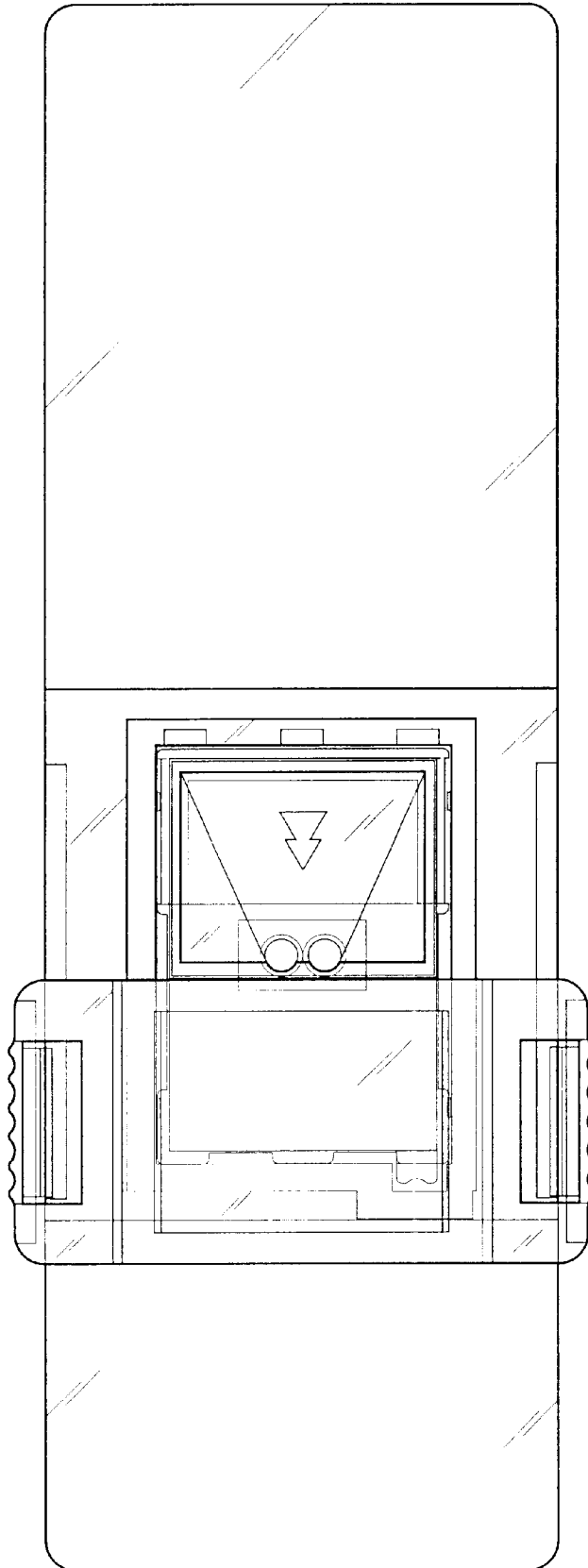


FIG. 3

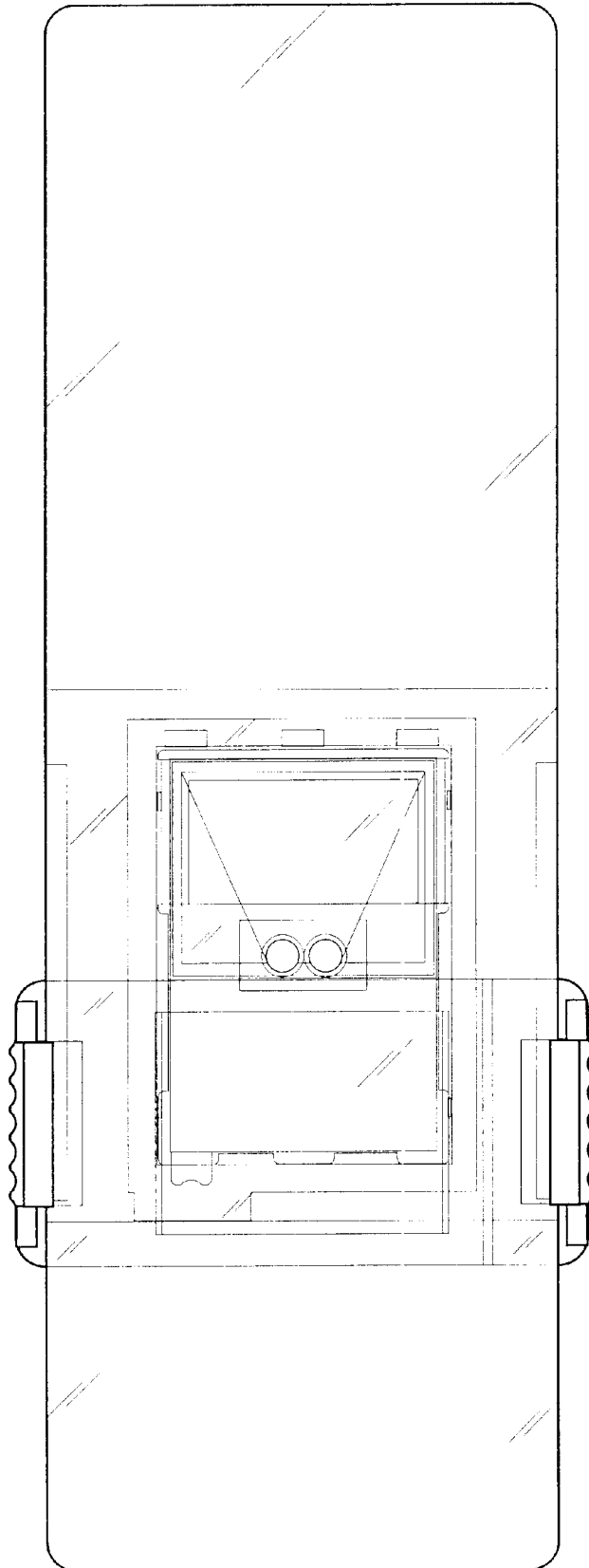


FIG. 4

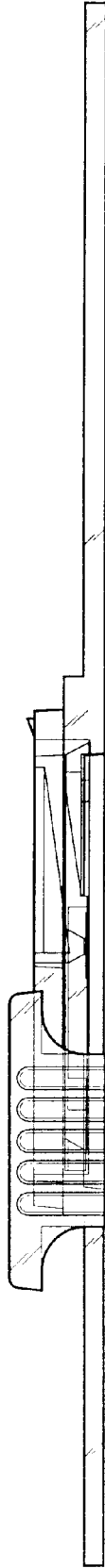


FIG. 6

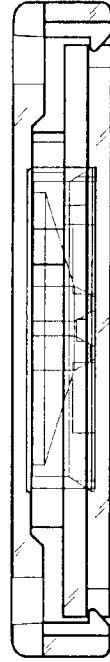


FIG. 5

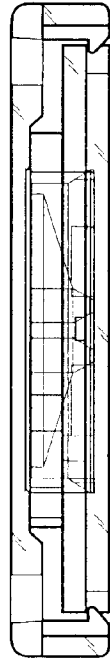


FIG. 7

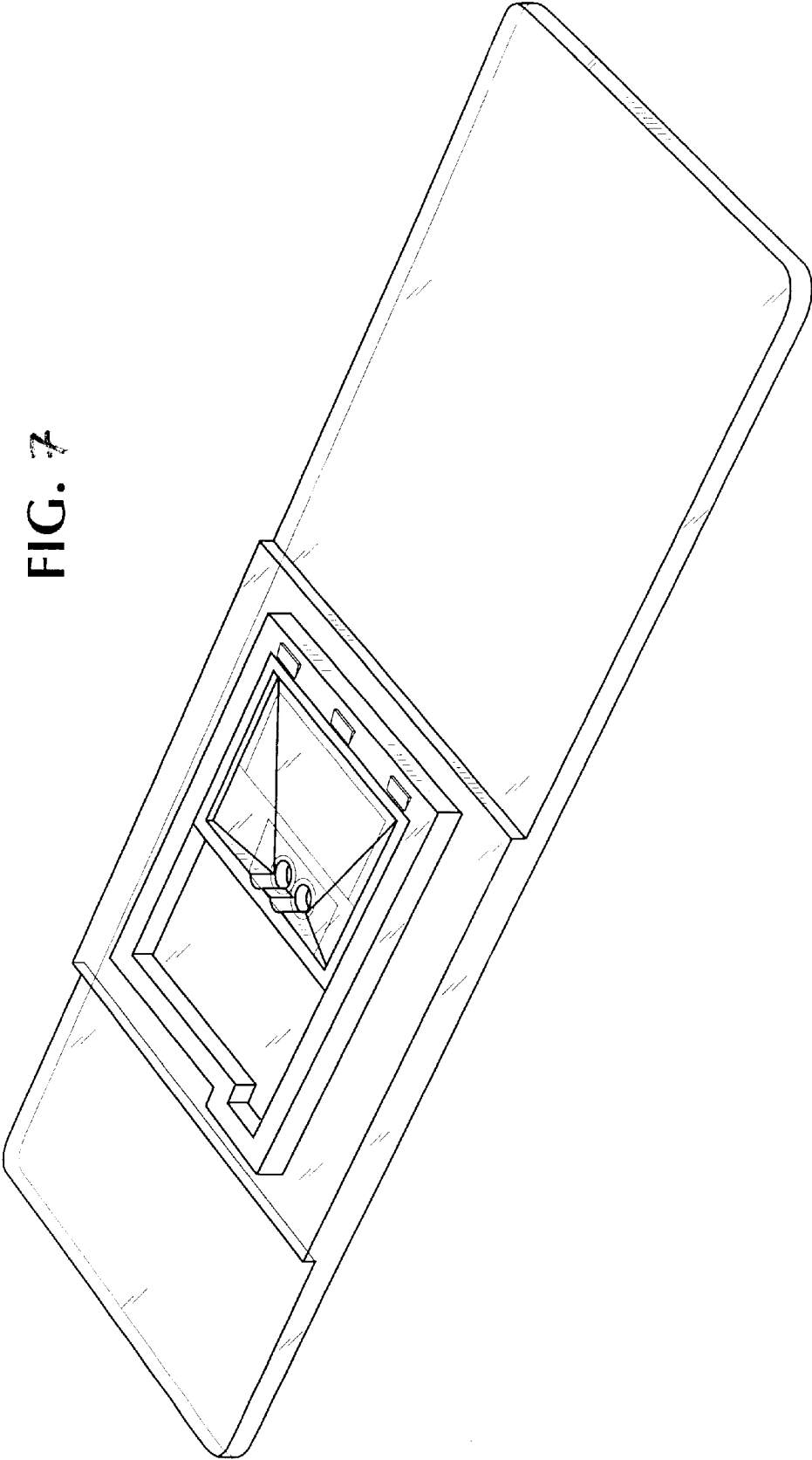


FIG. 8

