



US00D770612S

(12) **United States Design Patent** (10) **Patent No.:** **US D770,612 S**
Green et al. (45) **Date of Patent:** **** Nov. 1, 2016**

(54) **SAFETY SYRINGE**

(71) Applicant: **MERCK SHARP & DOHME CORP.**,
Rahway, NJ (US)

(72) Inventors: **Philip G. Green**, Weehawken, NJ (US);
Angela Amend Kwasnik, Metuchen,
NJ (US); **Sharad Gupta**, Madison, NJ
(US); **Robert Stianchi**, Hillsborough,
NJ (US); **Christin L. O'Neill**,
Philadelphia, PA (US); **Witold Swiatek**,
Bethlehem, PA (US); **Jiaying Shen**,
Basking Ridge, NJ (US); **Emily Sun**,
Branchburg, NJ (US); **Cobie Everdell**,
San Francisco, CA (US); **Remy**
Labesque, Glen Ellen, CA (US);
Francois Dransart, San Francisco, CA
(US); **Steven Friedman**, Walnut Creek,
CA (US); **Jennifer Dunnam**, Brooklyn,
NY (US); **Christine Lewis**, San
Francisco, CA (US); **Amalia Sieber**,
Oakland, CA (US)

(73) Assignee: **Merck Sharp & Dohme Corp.**,
Rahway, NJ (US)

(**) Term: **14 Years**

(21) Appl. No.: **29/511,829**

(22) Filed: **Dec. 15, 2014**

(51) **LOC (10) Cl.** **24-02**

(52) **U.S. Cl.**
USPC **D24/114**

(58) **Field of Classification Search**
USPC D24/112-114, 108, 133, 130, 127, 186;
606/181, 185; 604/264, 272, 187, 181,
604/184, 227
CPC A61M 5/178; A61M 3/00; A61M 5/20;
A61M 5/31; A61M 5/3146; A61M 5/3129;
A61M 5/3148; A61M 5/315

See application file for complete search history.

(56) **References Cited**

U.S. PATENT DOCUMENTS

D335,344 S * 5/1993 Hastings D24/114
5,968,019 A * 10/1999 Lee A61M 5/322
604/110

(Continued)

OTHER PUBLICATIONS

Abbvie, Humira label, Feb. 23, 2015 (US).

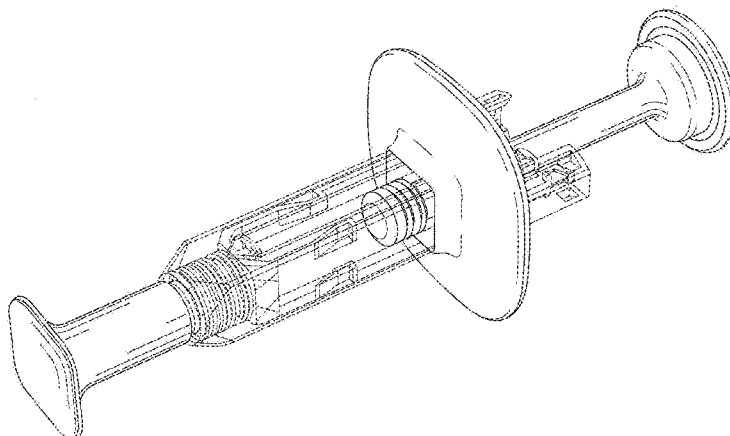
Primary Examiner — David Muller
(74) *Attorney, Agent, or Firm* — Gloria Fuentes; Thomas
A. Triolo

(57) **CLAIM**
The ornamental design for a safety syringe, as shown and
described.

DESCRIPTION

FIG. 1 is a perspective view of a safety syringe with the cap
attached, showing our new design;
FIG. 2 is a front side elevational view thereof, the rear side
being a mirror image;
FIG. 3 is a left side elevational view thereof, the right side
being a mirror image;
FIG. 4 is a top plan view thereof;
FIG. 5 is a bottom plan view thereof;
FIG. 6 is a perspective view thereof, with the cap removed;
FIG. 7 is a front side elevational view thereof, with the cap
removed, the rear side being a mirror image;
FIG. 8 is a left side elevational view thereof, with the cap
removed, the right side being a mirror image; and,
FIG. 9 is a bottom plan view thereof, with the cap removed.
FIGS. 1 through 9 depict a single embodiment of the
ornamental design. FIGS. 1 through 5 depict the safety
syringe with the cap attached. FIGS. 6 through 9 depict the
same embodiment of the safety syringe shown in FIGS. 1
through 5, except that the cap has been removed, for ease of
illustration. The broken line showing of parts of the draw-
ings is included for the purpose of illustrating use and
environment and forms no part of the claimed design.

1 Claim, 8 Drawing Sheets



(56)

References Cited

U.S. PATENT DOCUMENTS

7,396,342 B2 * 7/2008 Wang A61B 5/1444
600/576
D578,210 S * 10/2008 Muta D24/114
8,092,424 B2 * 1/2012 Mueller A61M 5/321
604/110

D673,677 S * 1/2013 Noda D24/114
D674,086 S * 1/2013 Khalaj D24/114
D709,188 S * 7/2014 Guala D24/130
D724,722 S * 3/2015 Miyano D24/113
D729,931 S * 5/2015 Takeuchi D24/114
D733,870 S * 7/2015 Broyles D24/114
D739,524 S * 9/2015 Zemel D24/114
D741,476 S * 10/2015 Hiraoka D24/114

* cited by examiner

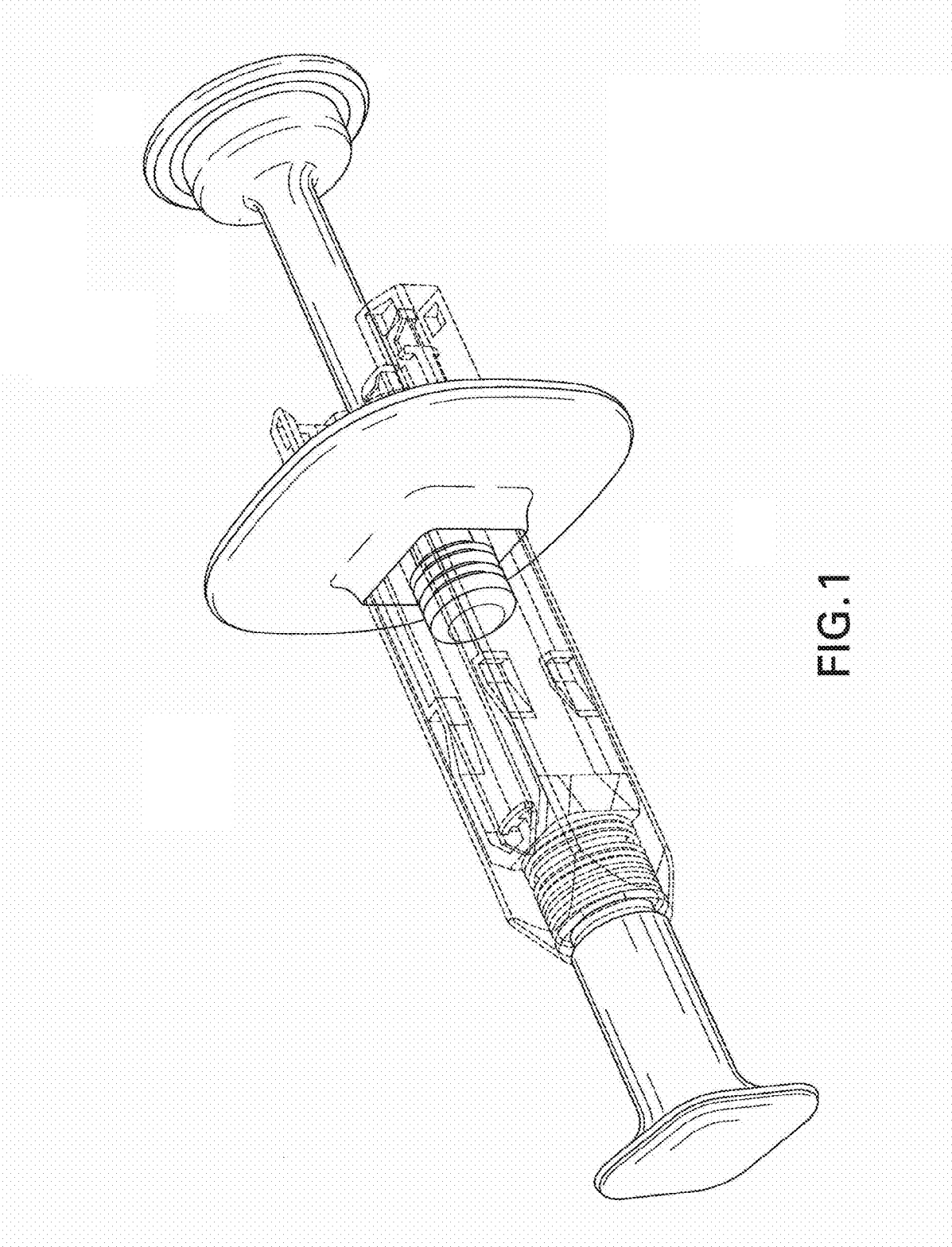


FIG. 1

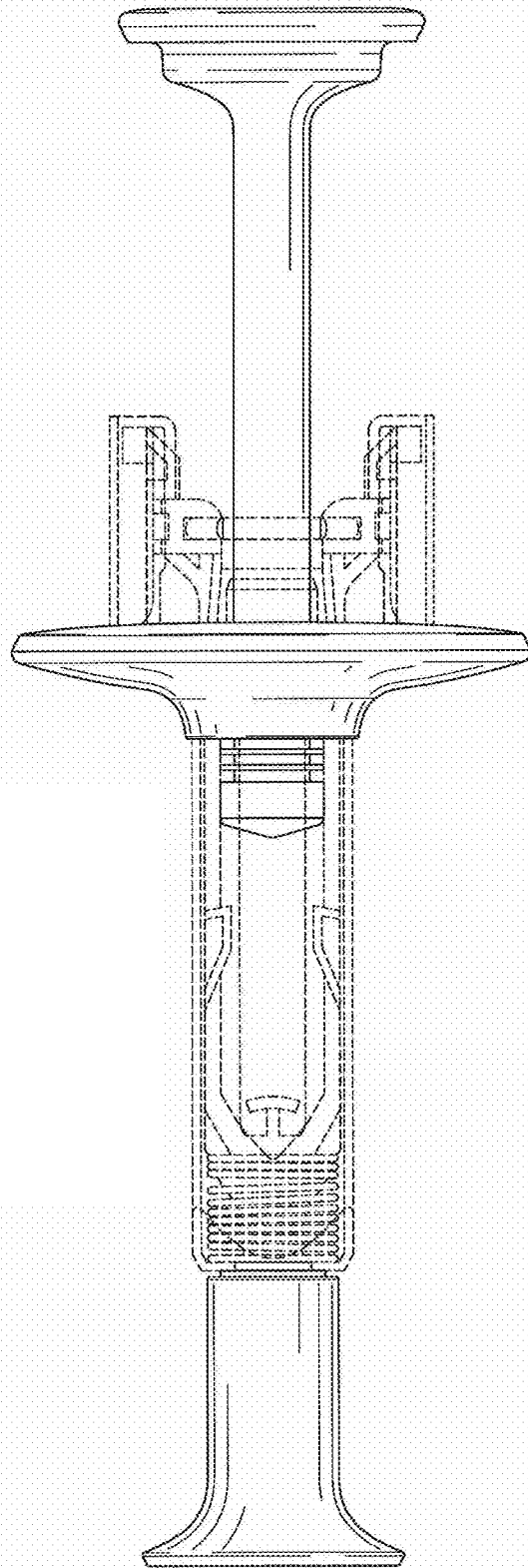


FIG.2

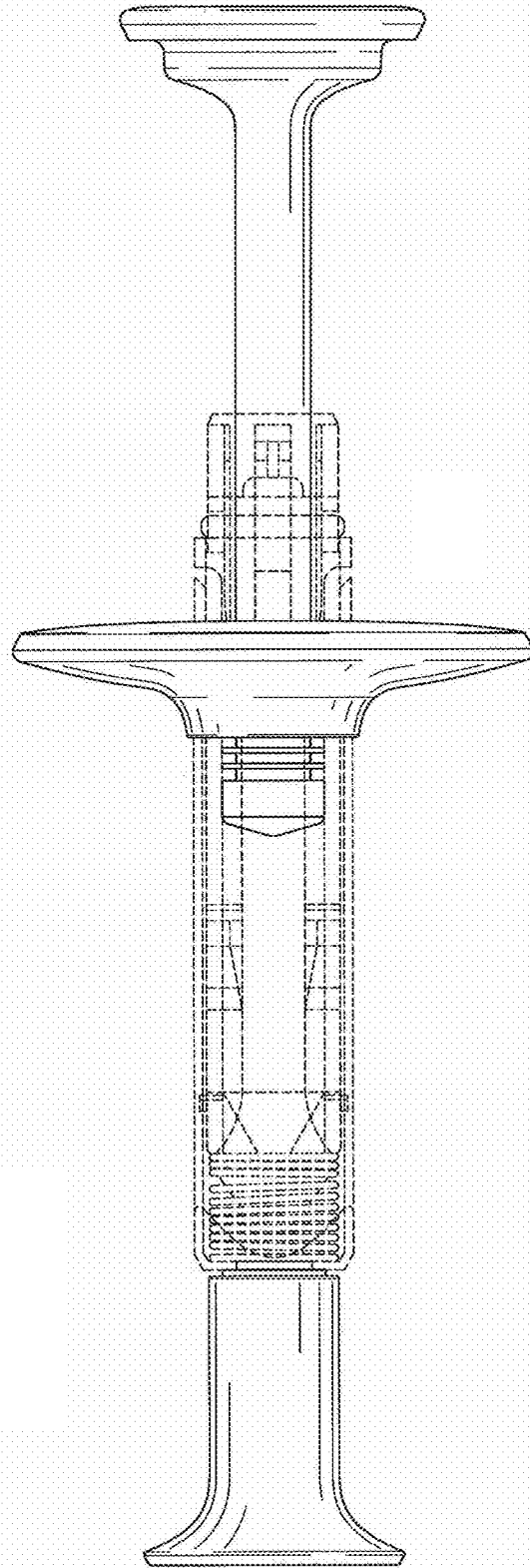


FIG. 3

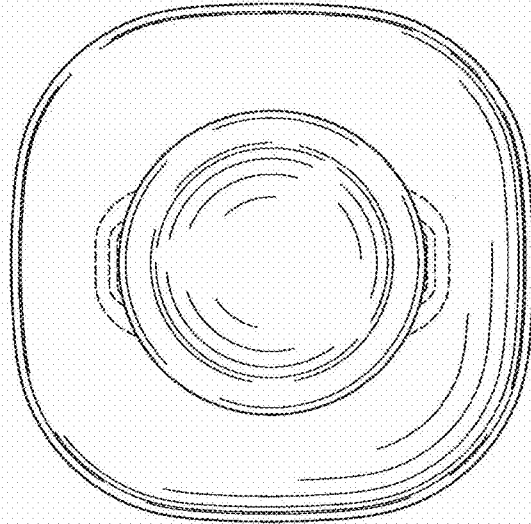


FIG. 4

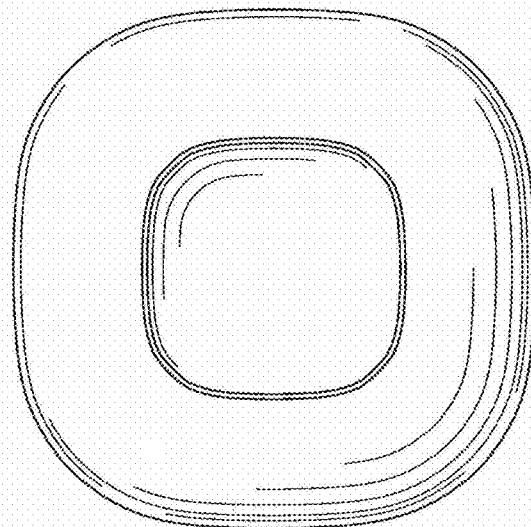


FIG. 5

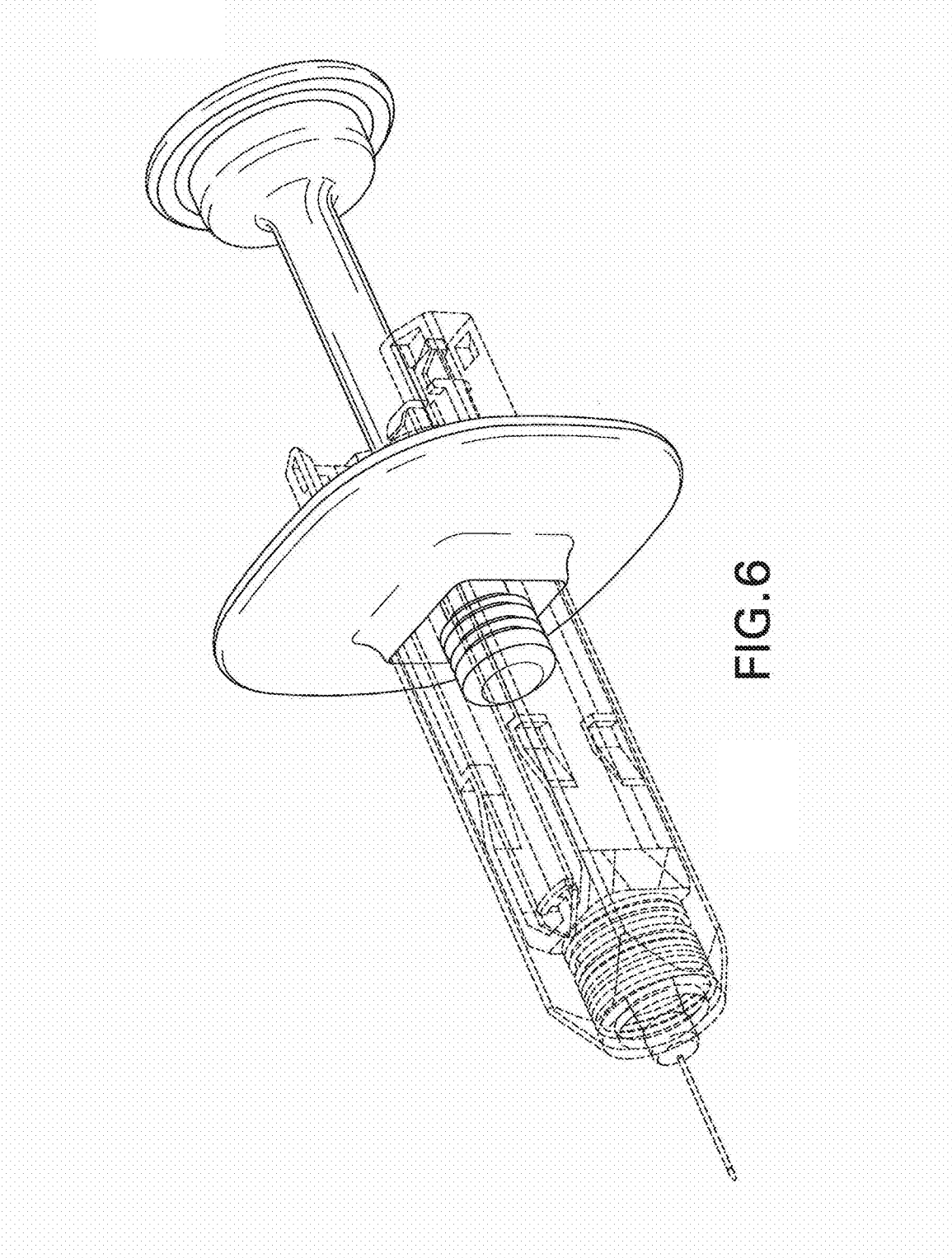


FIG. 6

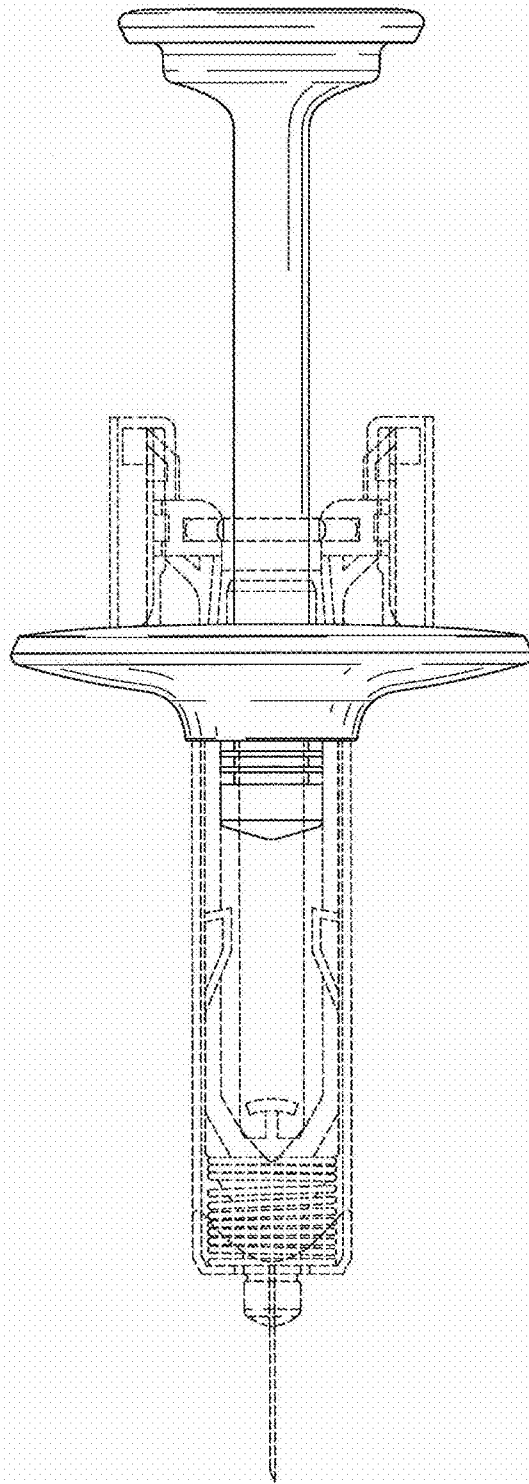


FIG. 7

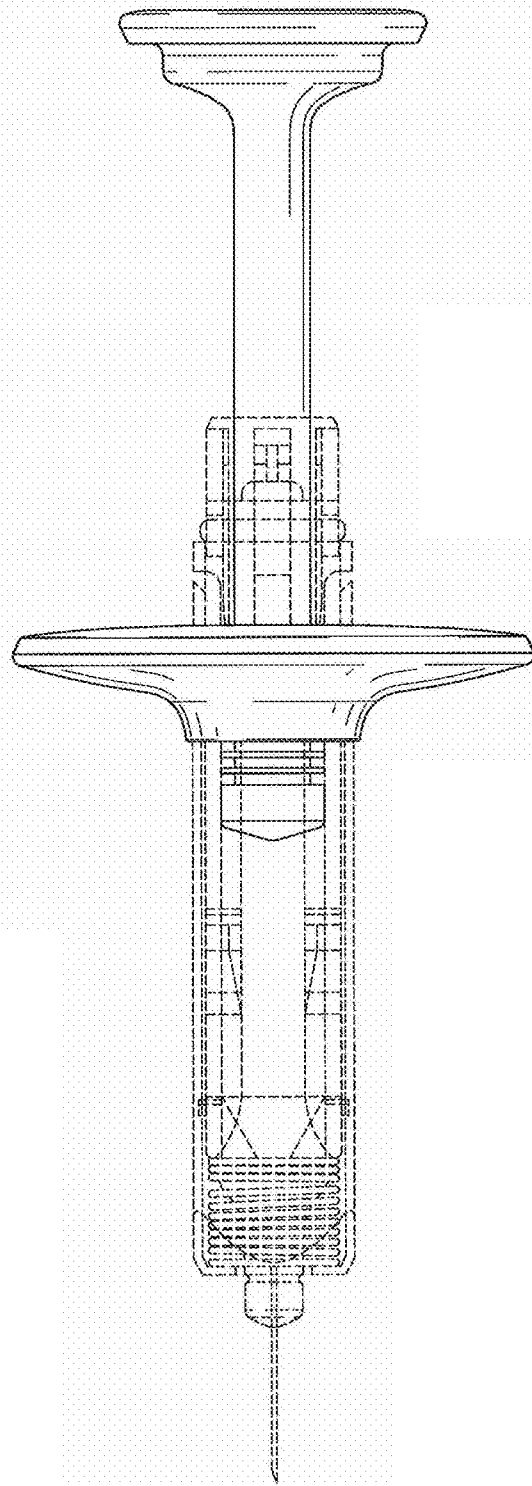


FIG. 8

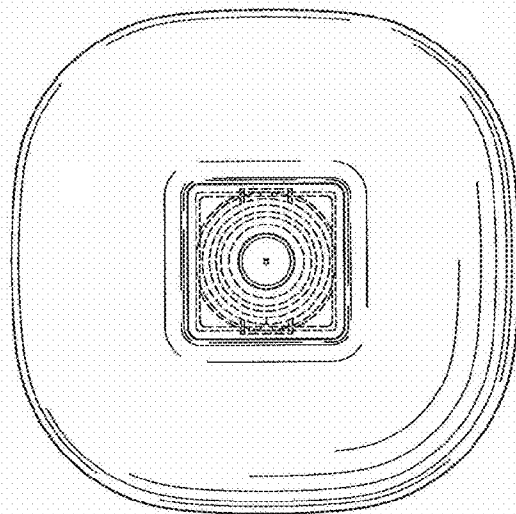


FIG. 9