



US00D921122S

(12) **United States Design Patent** (10) **Patent No.:** **US D921,122 S**  
**Singh et al.** (45) **Date of Patent:** **\*\* Jun. 1, 2021**

(54) **SCOOTER** 5,154,658 A \* 10/1992 Marcus ..... A63H 5/00  
446/411  
(71) Applicants: **Snap Pop**, Coto de Caza, CA (US); 5,165,711 A \* 11/1992 Tsai ..... B62K 3/002  
**1867361 ONTARIO INC.**, Etobicoke 280/87.041  
(CA)  
D337,622 S \* 7/1993 Schiffman ..... D21/423  
D390,281 S \* 2/1998 O'Rourke ..... D21/423  
D504,920 S \* 5/2005 Hong ..... D21/423  
(72) Inventors: **Amit Singh**, Coto de Caza, CA (US); D552,186 S \* 10/2007 Hong ..... D21/423  
**Robert Douglas Stewart**, Etobicoke D552,187 S \* 10/2007 Hong ..... D21/423  
(CA)  
D665,034 S \* 8/2012 Grossman ..... D21/423  
D665,035 S \* 8/2012 Grossman ..... D21/423  
(73) Assignees: **Snap Pop**, Coto de Caza, CA (US); D679,761 S \* 4/2013 Nava ..... D21/427  
**1867361 ONTARIO INC.**, Etobicoke D687,900 S \* 8/2013 Blanco ..... D21/427  
(CA)  
D719,618 S \* 12/2014 Herlitz ..... D21/424  
D745,933 S \* 12/2015 Mayson ..... D21/433  
D827,038 S \* 8/2018 Exley ..... D21/434  
(\*\*) Term: **15 Years** 2006/0001227 A1 \* 1/2006 Hong ..... B62K 3/002  
280/87.041

(21) Appl. No.: **29/714,245**

(22) Filed: **Nov. 21, 2019**

(51) **LOC (13) Cl.** ..... **21-01**

(52) **U.S. Cl.** ..... **D21/423**

(58) **Field of Classification Search**

USPC ..... D21/419, 421, 423, 424-428, 429, 432,  
D21/435, 760, 763, 765, 771; D12/1,  
D12/110

CPC ..... B62K 3/002; B62K 9/00; B62K 2202/00;  
B62K 15/00; B62K 2015/001; B62K  
2015/003; B60Y 2200/126

See application file for complete search history.

(56) **References Cited**

**U.S. PATENT DOCUMENTS**

D282,088 S \* 1/1986 Kroll ..... D21/428  
4,595,380 A \* 6/1986 Magers ..... A63H 17/38  
446/437  
D284,984 S \* 8/1986 Tzanetakos ..... D21/421  
D308,704 S \* 6/1990 Weiland ..... D21/427  
D317,334 S \* 6/1991 Takahashi ..... D21/428

\* cited by examiner

*Primary Examiner* — Cynthia M. Chin

(74) *Attorney, Agent, or Firm* — Sterne, Kessler,  
Goldstein & Fox P.L.L.C.

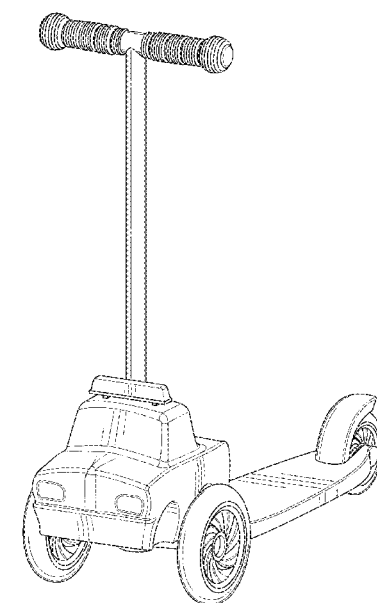
(57) **CLAIM**

The ornamental design for a scooter, as shown and described.

**DESCRIPTION**

FIG. 1 is a perspective view of a scooter showing the claimed design;  
FIG. 2 is a front elevational view thereof;  
FIG. 3 is a rear elevational view thereof;  
FIG. 4 is a left side elevational view thereof;  
FIG. 5 is a right side elevational view thereof;  
FIG. 6 is a top plan view thereof; and,  
FIG. 7 is a bottom plan view thereof.  
The broken lines in the figures show portions of the scooter that form no part of the claimed design.

**1 Claim, 7 Drawing Sheets**



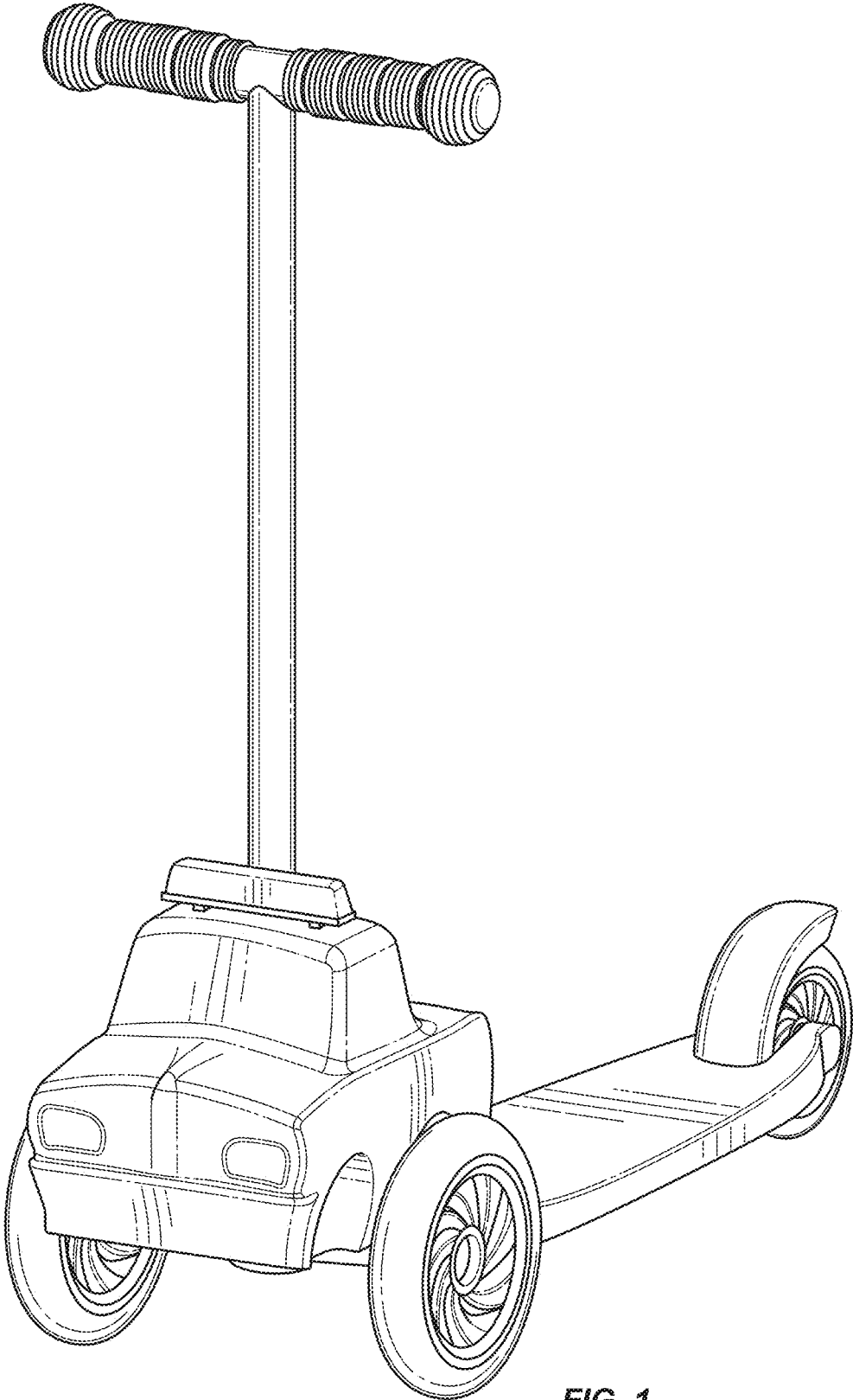


FIG. 1

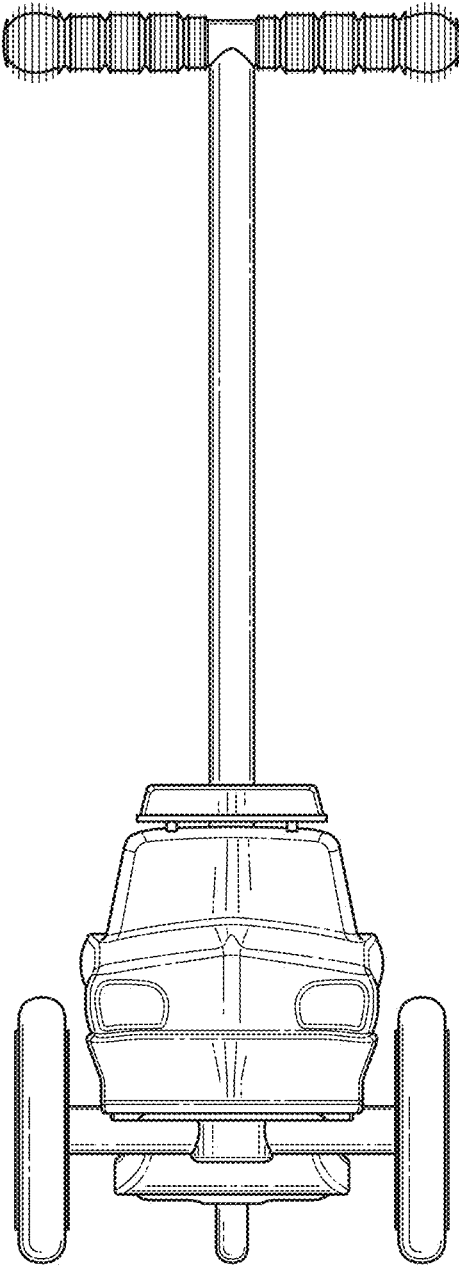


FIG. 2

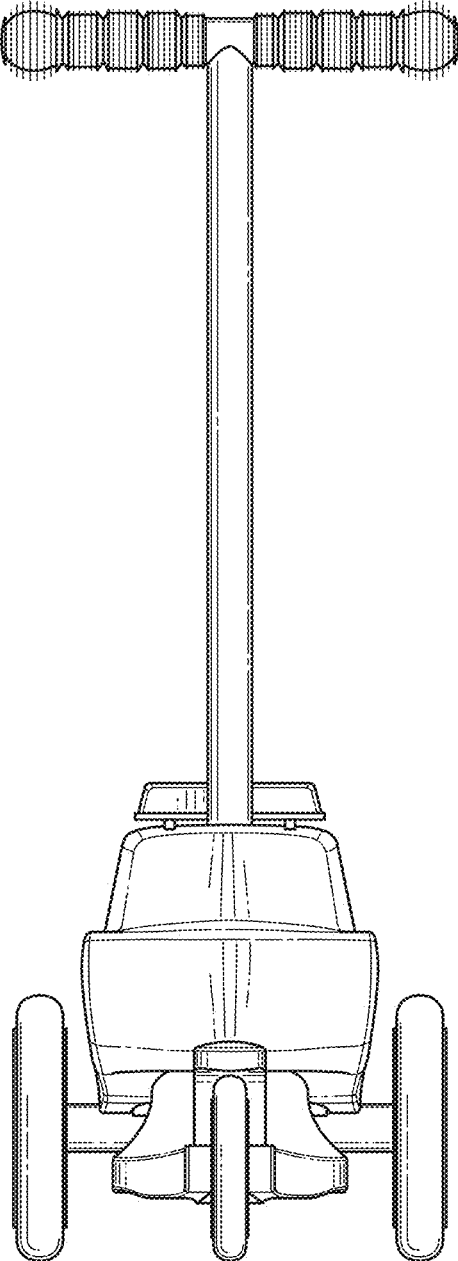


FIG. 3

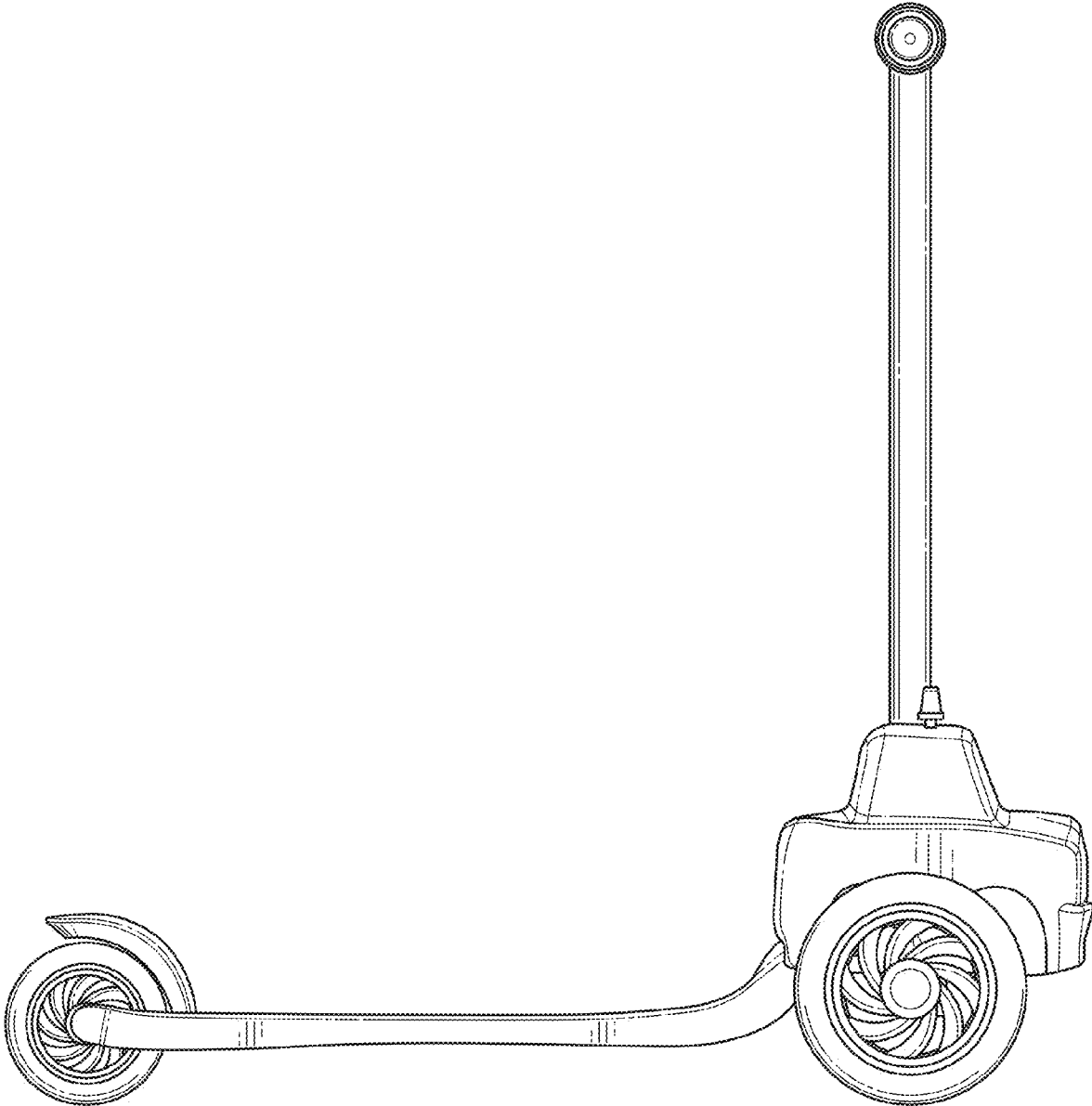


FIG. 4

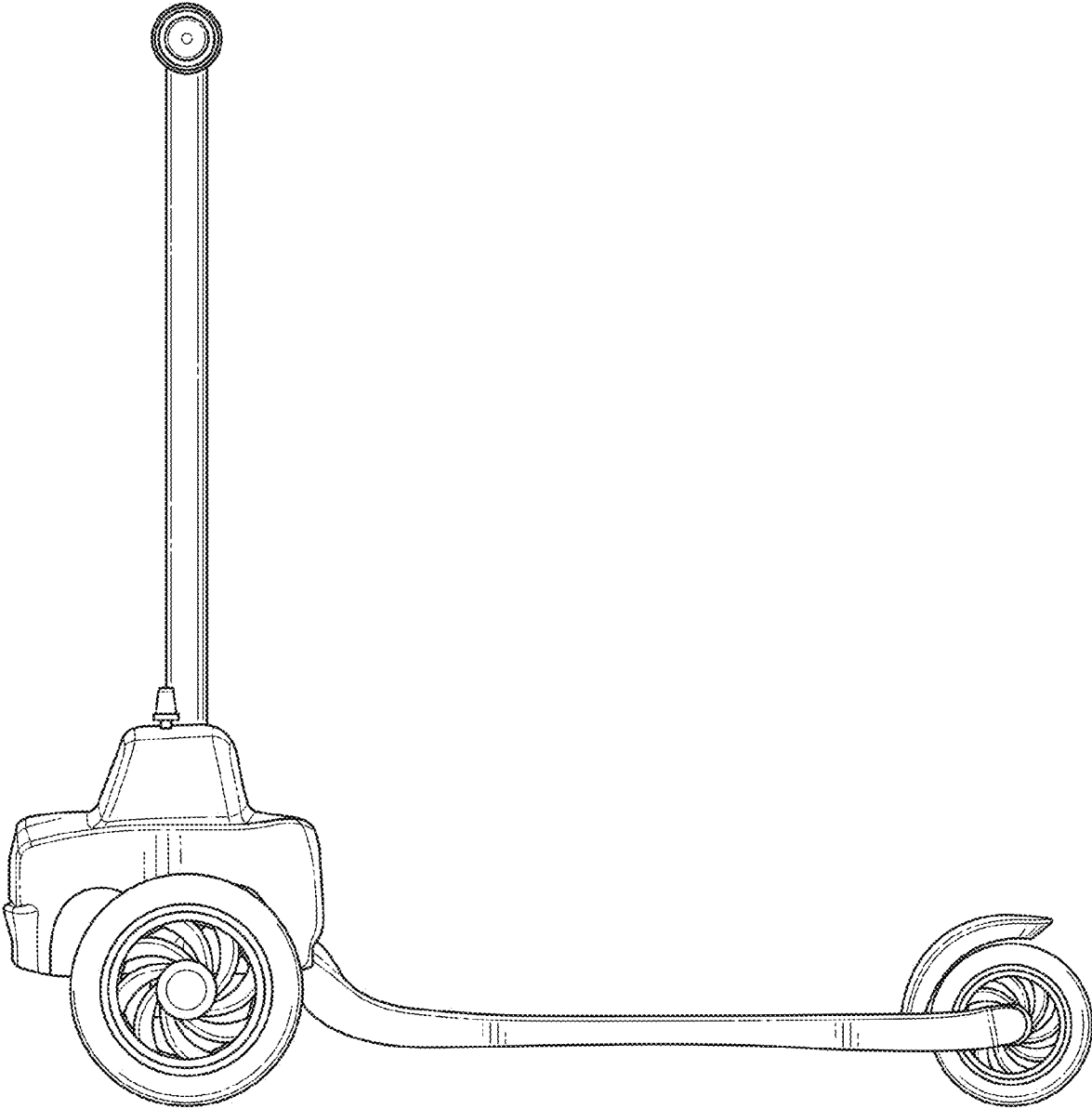


FIG. 5

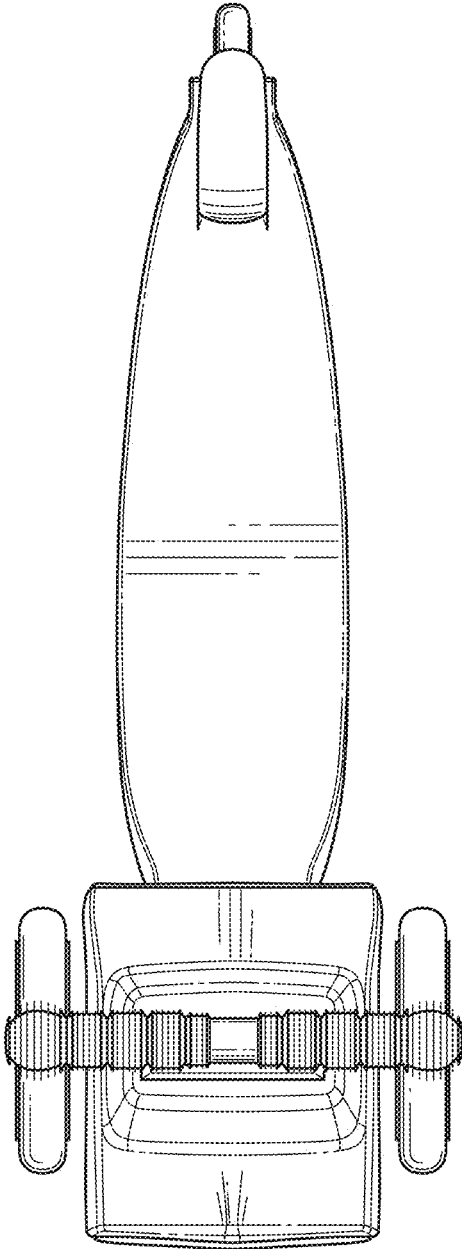


FIG. 6

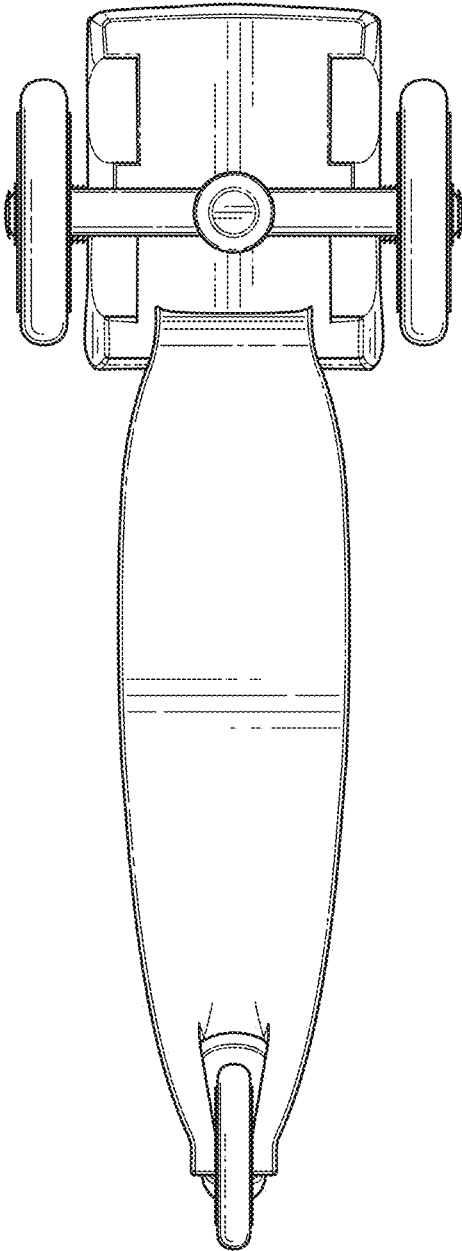


FIG. 7