

(19) World Intellectual Property Organization
International Bureau



(43) International Publication Date
1 February 2007 (01.02.2007)

PCT

(10) International Publication Number
WO 2007/014107 A3

(51) International Patent Classification:
A61B 5/05 (2006.01)

(74) Agent: MILLER, Thomas, A.; Michael Best & Friedrich LLP, 100 East Wisconsin Avenue, Suite 3300, Milwaukee, WI 53202-4108 (US).

(21) International Application Number:
PCT/US2006/028555

(81) Designated States (unless otherwise indicated, for every kind of national protection available): AE, AG, AL, AM, AT, AU, AZ, BA, BB, BG, BR, BW, BY, BZ, CA, CH, CN, CO, CR, CU, CZ, DE, DK, DM, DZ, EC, EE, EG, ES, FI, GB, GD, GE, GH, GM, HN, HR, HU, ID, IL, IN, IS, JP, KE, KG, KM, KN, KP, KR, KZ, LA, LC, LK, LR, LS, LT, LU, LV, LY, MA, MD, MG, MK, MN, MW, MX, MZ, NA, NG, NI, NO, NZ, OM, PG, PH, PL, PT, RO, RS, RU, SC, SD, SE, SG, SK, SL, SM, SY, TJ, TM, TN, TR, TT, TZ, UA, UG, US, UZ, VC, VN, ZA, ZM, ZW.

(22) International Filing Date: 21 July 2006 (21.07.2006)

(25) Filing Language: English

(26) Publication Language: English

(30) Priority Data:
60/701,588 22 July 2005 (22.07.2005) US
60/701,580 22 July 2005 (22.07.2005) US

(71) Applicant (for all designated States except US): TO-MOTHERAPY INCORPORATED [US/US]; 1240 Deming Way, Madison, WI 53705 (US).

(84) Designated States (unless otherwise indicated, for every kind of regional protection available): ARIPO (BW, GH, GM, KE, LS, MW, MZ, NA, SD, SL, SZ, TZ, UG, ZM, ZW), Eurasian (AM, AZ, BY, KG, KZ, MD, RU, TJ, TM), European (AT, BE, BG, CH, CY, CZ, DE, DK, EE, ES, FI, FR, GB, GR, HU, IE, IS, IT, LT, LU, LV, MC, NL, PL, PT, RO, SE, SI, SK, TR), OAPI (BF, BJ, CF, CG, CI, CM, GA, GN, GQ, GW, ML, MR, NE, SN, TD, TG).

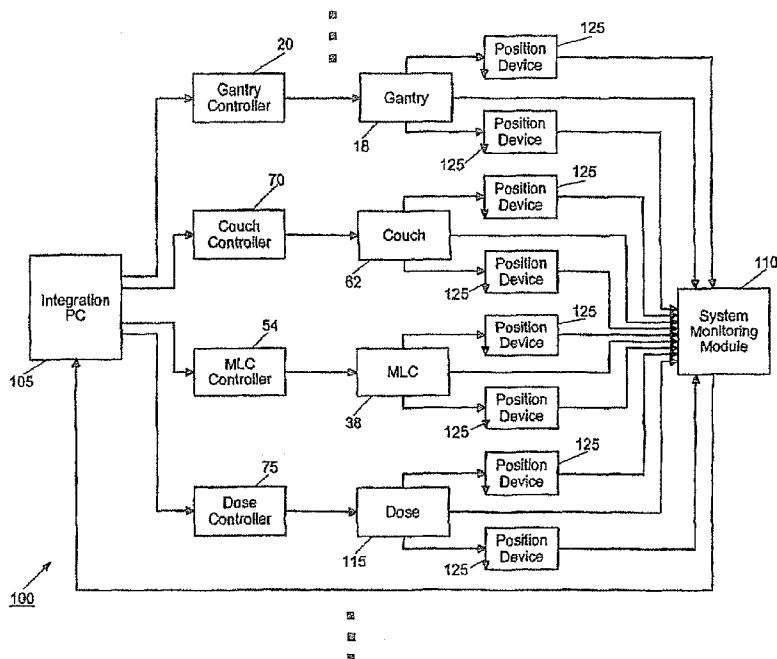
(72) Inventors; and

(75) Inventors/Applicants (for US only): MACKIE, Thomas, R. [US/US]; 7763 Solstice Court, Verona, WI 53593 (US). OLIVERA, Gustavo, H. [AR/US]; 6221 Dominion Drive, Madison, WI 53718 (US). RUCHALA, Kenneth, J. [US/US]; 121 Richard Lane, Madison, WI 53705 (US). SCHLOESSER, Eric [US/US]; 210 South 5th Street, Mount Horeb, WI 53572 (US).

Published:
— with international search report

[Continued on next page]

(54) Title: SYSTEM AND METHOD OF MONITORING THE OPERATION OF A MEDICAL DEVICE



(57) Abstract: A system for monitoring the operation of a medical device including a movable portion and a controller for controlling the movable portion. The system includes a motion verification device directly coupled to the movable portion. The system is configured to determine motion data for the motion verification device. In one method of operation, the method includes moving the movable portion, determining motion data for the motion verification device, and monitoring the motion data.

WO 2007/014107 A3



(88) Date of publication of the international search report:

21 December 2007

For two-letter codes and other abbreviations, refer to the "Guidance Notes on Codes and Abbreviations" appearing at the beginning of each regular issue of the PCT Gazette.

INTERNATIONAL SEARCH REPORT

International application No.

PCT/US 06/28555

A. CLASSIFICATION OF SUBJECT MATTER IPC(8) - A61B 5/05 (2007.1) USPC - 600/424 According to International Patent Classification (IPC) or to both national classification and IPC		
B. FIELDS SEARCHED Minimum documentation searched (classification system followed by classification symbols) USPC: 600/424 Documentation searched other than minimum documentation to the extent that such documents are included in the fields searched USPC - 600/407, 595 (text search- see items below); USPC - 702/150, 73/510, 342/463 (cursory) Electronic data base consulted during the international search (name of data base and, where practicable, search terms used) PubWEST(USPT,PGPB,USOC,EPAB,JPAB); DialogPRO(Engineering); Google Scholar Search terms: medical, device, dose, motion, position, velocity, controller, sensor, marker, patient, move, moveable, movement, wireless, transmitter, transistor, radio-frequency		
C. DOCUMENTS CONSIDERED TO BE RELEVANT		
Category*	Citation of document, with indication, where appropriate, of the relevant passages	Relevant to claim No.
X --- Y	US 2002/0193685 A1 (MATE et al.) 19 December 2002 (19.12.2002); entire document, especially para [0009], [0012], [0034]-[0041], [0066] and [0069], claims 82-88.	1-3, 5-10, 12-14, 17-19, 26, 32-36 ----- 4, 16, 20-23, 25, 27-31, 37-47
X ----- Y	US 2002/0077545 A1 (TAKAHASHI et al.) 20 June 2002 (20.06.2002); entire document, especially para [0041]-[0046].	1, 7, 10-12, 15, 24 ----- 16
Y	US 2003/0086527 A1 (SPEISER et al.) 08 May 2003 (08.05.2003); para [0028].	4
Y	ROGUS, R. D. et al. Accuracy of a photogrammetry-based patient positioning and monitoring system for radiation therapy. Medical Physics. 01 May 1999 (01.05.1999) Vol 26, Issue 5, pp. 721-728; abstract only.	20, 25
Y	US 6,405,072 B1 (COSMAN) 11 June 2002 (11.06.2002); column 2, ln 14-38; column 3, ln 14-46; column 4, ln 14-61; column 5, ln 41-45; column 20, ln 1-14; Figure 1.	27-31, 37-43, 47
Y	US 2004/0230115 A1 (SCARANTINO et al.) 18 November 2004 (18.11.2004); para [0014]-[0019].	21-23, 44-46
<input type="checkbox"/> Further documents are listed in the continuation of Box C. <input type="checkbox"/>		
* Special categories of cited documents: "A" document defining the general state of the art which is not considered to be of particular relevance "E" earlier application or patent but published on or after the international filing date "L" document which may throw doubts on priority claim(s) or which is cited to establish the publication date of another citation or other special reason (as specified) "O" document referring to an oral disclosure, use, exhibition or other means "P" document published prior to the international filing date but later than the priority date claimed "T" later document published after the international filing date or priority date and not in conflict with the application but cited to understand the principle or theory underlying the invention "X" document of particular relevance; the claimed invention cannot be considered novel or cannot be considered to involve an inventive step when the document is taken alone "Y" document of particular relevance; the claimed invention cannot be considered to involve an inventive step when the document is combined with one or more other such documents, such combination being obvious to a person skilled in the art "&" document member of the same patent family		
Date of the actual completion of the international search 06 June 2007 (06.06.2007)		Date of mailing of the international search report 26 SEP 2007
Name and mailing address of the ISA/US Mail Stop PCT, Attn: ISA/US, Commissioner for Patents P.O. Box 1450, Alexandria, Virginia 22313-1450 Facsimile No. 571-273-3201		Authorized officer: Lee W. Young PCT Helpdesk: 571-272-4300 PCT OSP: 571-272-7774