

- [54] HUTCH
- [75] Inventor: Roger W. Wollin, Lake Mills, Wis.
- [73] Assignee: Fiberdome Incorporated, Lake Mills, Wis.
- [\*\*] Term: 14 Years
- [21] Appl. No.: 939,910
- [22] Filed: Sep. 5, 1978
- [51] Int. Cl. .... D30-02
- [52] U.S. Cl. .... D25/18
- [58] Field of Search ..... D25/1, 4, 16, 18, 19, D25/36, 56; D30/1, 2; 220/4 C, 4 E, 4 B, 18; D15/148, 149; 52/79.1, 79.7, 80, 81, 82; D9/240, 242, 246; 119/15, 16, 19, 20, 27

[56] **References Cited**  
**U.S. PATENT DOCUMENTS**

- D. 245,190 7/1977 Higo ..... D30/1
- D. 252,179 6/1979 Cherry ..... D9/240 X

4,160,340 7/1979 Levett ..... 52/82 X

**FOREIGN PATENT DOCUMENTS**

41712 10/1965 German Democratic Rep. .... D25/4

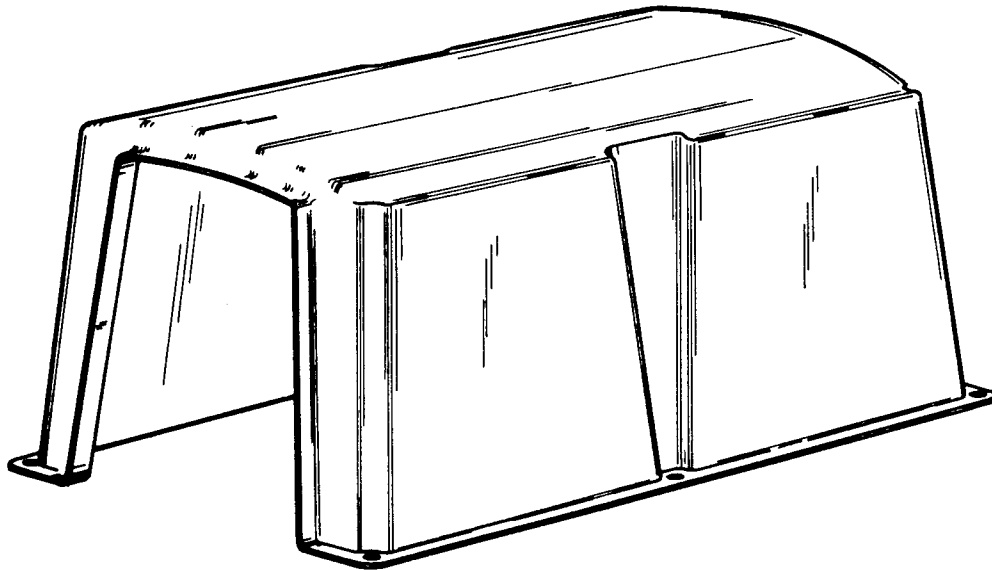
*Primary Examiner*—A. Hugo Word  
*Attorney, Agent, or Firm*—James E. Nilles

[57] **CLAIM**

The ornamental design for a hutch, substantially as shown.

**DESCRIPTION**

FIG. 1 is a perspective view of a hutch embodying the design, the view being taken generally from the front right upper corner thereof;  
 FIG. 2 is a front elevational view thereof;  
 FIG. 3 is a right side elevational view thereof;  
 FIG. 4 is a left side elevational view thereof;  
 FIG. 5 is a rear elevational view thereof;  
 FIG. 6 is a top view thereof; and  
 FIG. 7 is a bottom view thereof.



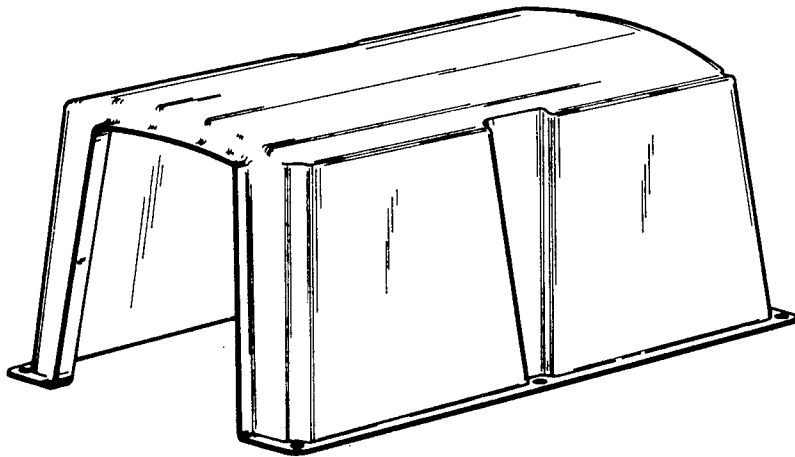


FIG. 1

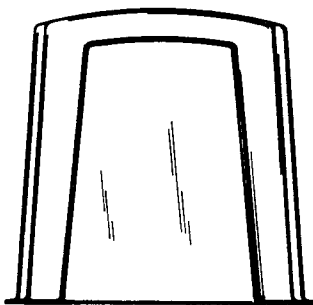


FIG. 2

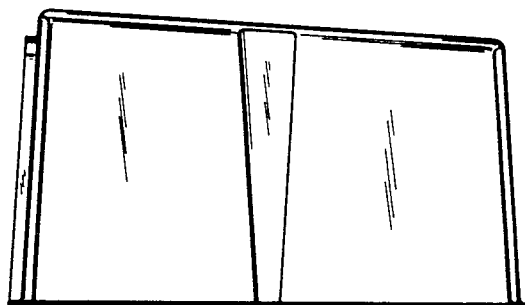


FIG. 3

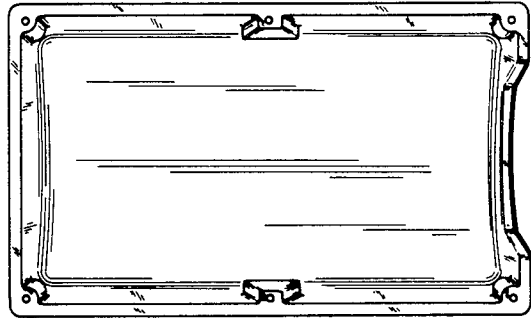


FIG. 6

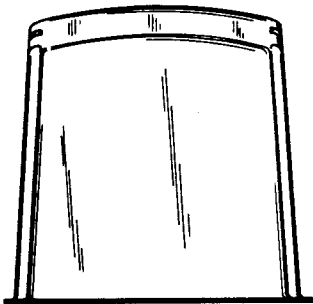


FIG. 5

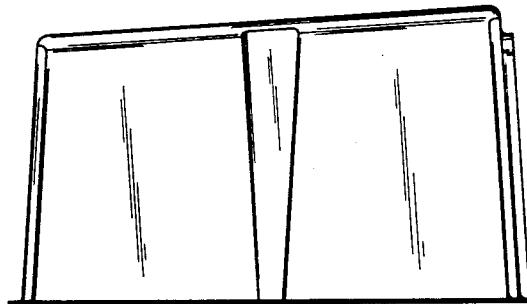


FIG. 4

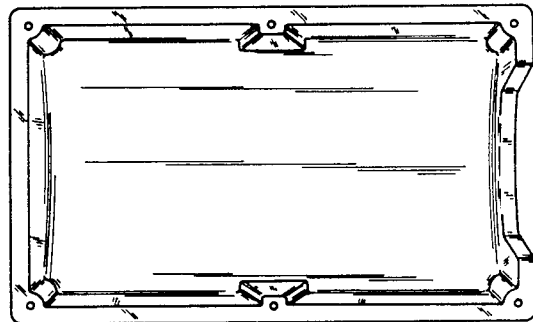


FIG. 7