



US00D755457S

(12) **United States Design Patent**  
**Chung et al.**

(10) **Patent No.:** **US D755,457 S**

(45) **Date of Patent:** **\*\* May 3, 2016**

(54) **ELECTRIC WASHING MACHINE**

(71) Applicant: **LG Electronics Inc.**, Seoul (KR)

(72) Inventors: **Wookjun Chung**, Seoul (KR); **Hoil Jeon**, Gyeonggi-do (KR); **Youjin Chung**, Gyeonggi-do (KR); **Yeji Um**, Seoul (KR); **Taewoo Yoo**, Seoul (KR)

(73) Assignee: **LG Electronics Inc.**, Seoul (KR)

(\*\*) Term: **14 Years**

(21) Appl. No.: **29/468,235**

(22) Filed: **Sep. 27, 2013**

(30) **Foreign Application Priority Data**

Mar. 29, 2013 (KR) ..... 30-2013-0016264

(51) **LOC (10) Cl.** ..... **15-05**

(52) **U.S. Cl.**  
USPC ..... **D32/25**

(58) **Field of Classification Search**  
USPC ..... D32/1, 6, 25, 28, 35; 63/15, 15.1, 32, 63/34, 12; 427/404-405; D11/1-3, 17; D10/30-33, 64; 277/500

CPC ..... A44C 17/0233  
See application file for complete search history.

(56) **References Cited**

**U.S. PATENT DOCUMENTS**

96,916	A	*	11/1869	Hisley	.....	29/512
427,172	A	*	5/1890	Howard	.....	63/34
1,207,047	A	*	12/1916	Hunt	.....	63/15
D203,551	S	*	1/1966	Tranfield	.....	D11/26
3,920,254	A	*	11/1975	Johnston et al.	.....	277/462
D270,270	S	*	8/1983	Price	.....	D17/20
D347,885	S	*	6/1994	Gustafsson	.....	D23/269
D392,585	S	*	3/1998	Kohl	.....	D11/26
D442,509	S	*	5/2001	Yamanaka	.....	D11/26
D449,621	S	*	10/2001	Hamlin	.....	D15/5

6,619,664	B1	*	9/2003	Metz	.....	277/399
D515,257	S	*	2/2006	Geyer	.....	D32/6
D525,753	S	*	7/2006	Schoene	.....	D32/25
7,313,933	B2	*	1/2008	Carey et al.	.....	68/3 R
D584,015	S	*	12/2008	Um	.....	D32/6
D608,236	S	*	1/2010	Akdemir	.....	D11/26

(Continued)

**OTHER PUBLICATIONS**

Two gold wedding rings—Stock Photo © ISergey #1188067, pub date Nov. 22, 2009, online, <http://depositphotos.com/1188067/stock-photo-two-gold-wedding-rings.html?sq=5ue6hp&sst=0>, [site visited Mar. 23, 2015 9:47:06 PM].\*

(Continued)

*Primary Examiner* — John Windmuller

*Assistant Examiner* — John R Yeh

(74) *Attorney, Agent, or Firm* — Morgan, Lewis & Bockius LLP

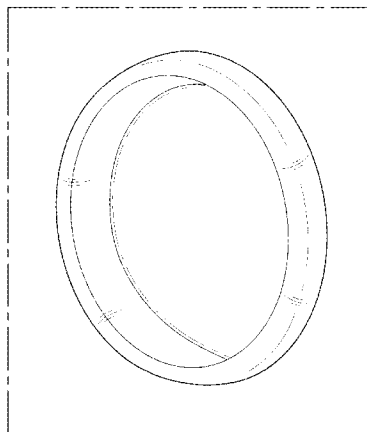
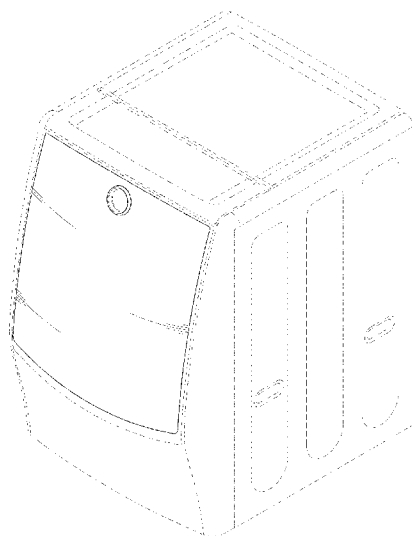
(57) **CLAIM**

The ornamental design for an electric washing machine, as shown and described.

**DESCRIPTION**

FIG. 1 is a perspective view of the electric washing machine showing our new design; FIG. 2 is a front view thereof; FIG. 3 is a rear view thereof; FIG. 4 is a left side view thereof where the right side view is a mirror image; FIG. 5 is a top plan view thereof; FIG. 6 is a bottom plan view thereof; and, FIG. 7 is an in-part enlarged view of FIG. 1. The broken lines are for illustrative purposes only and form no part of the claimed design. The dash-dot broken lines define the bounds of the claimed design and form no part thereof.

**1 Claim, 7 Drawing Sheets**



(56)

References Cited

U.S. PATENT DOCUMENTS

D611,983	S *	3/2010	Bales	.....	D17/20
7,674,963	B1 *	3/2010	Poggi	.....	84/312 R
D622,918	S *	8/2010	Choi et al.	.....	D32/25
D632,949	S *	2/2011	Rowley	.....	D8/356
D681,176	S *	4/2013	Chacko	.....	D23/269
2005/0084226	A1 *	4/2005	Mockett	.....	385/136
2006/0090511	A1 *	5/2006	Boone	.....	63/15.1
2006/0117813	A1 *	6/2006	Ha et al.	.....	68/196
2008/0142504	A1 *	6/2008	Byrne	.....	219/452.11
2012/0125047	A1 *	5/2012	Kimura	.....	63/3.1
2012/0206028	A1 *	8/2012	Holovnia	.....	312/237
2012/0223485	A1 *	9/2012	Heo	.....	277/500
2013/0269388	A1 *	10/2013	Roessler	.....	63/15
2014/0083135	A1 *	3/2014	Martinez	.....	63/15.8
2014/0130546	A1 *	5/2014	Bisserier	.....	63/15.1
2014/0203519	A1 *	7/2014	Kumar Gaurav et al.	.....	277/500
2015/0013385	A1 *	1/2015	Weems et al.	.....	63/18
2015/0059403	A1 *	3/2015	Fogel	.....	63/15.1

OTHER PUBLICATIONS

The one Ring by CutYa on DeviantArt, comment date Dec. 3, 2005, online, <http://cutya.deviantart.com/art/The-one-Ring-22304402>, [site visited Mar. 23, 2015 9:41:19 PM].\*

Appliances Parts & Accessories Dishwasher Parts & Accessories, review date May 17, 2012, online, [http://www.amazon.com/GE-WH08X10036-Gasket-for-Washer/dp/B004H3XUEE/ref=cm\\_cr\\_pr\\_product\\_top?ie=UTF8](http://www.amazon.com/GE-WH08X10036-Gasket-for-Washer/dp/B004H3XUEE/ref=cm_cr_pr_product_top?ie=UTF8), [site visited Mar. 25, 2015 6:34:36 PM].\*

Rubber Grommets—Septic Solutions, Inc., wayback date Aug. 13, 2011, online, <http://web.archive.org/web/20110813193237/http://www.septicsolutions.net/store/grommets.htm>, [site visited Mar. 25, 2015 5:45:49 PM].\*

Wall Plate with Grommet Hole—DataPro, wayback date Oct. 18, 2011, online, <http://web.archive.org/web/20111018102219/http://datapro.net/products/wall-plate-with-grommet-hole.html>, [site visited Mar. 25, 2015 2:29:17 PM].\*

\* cited by examiner

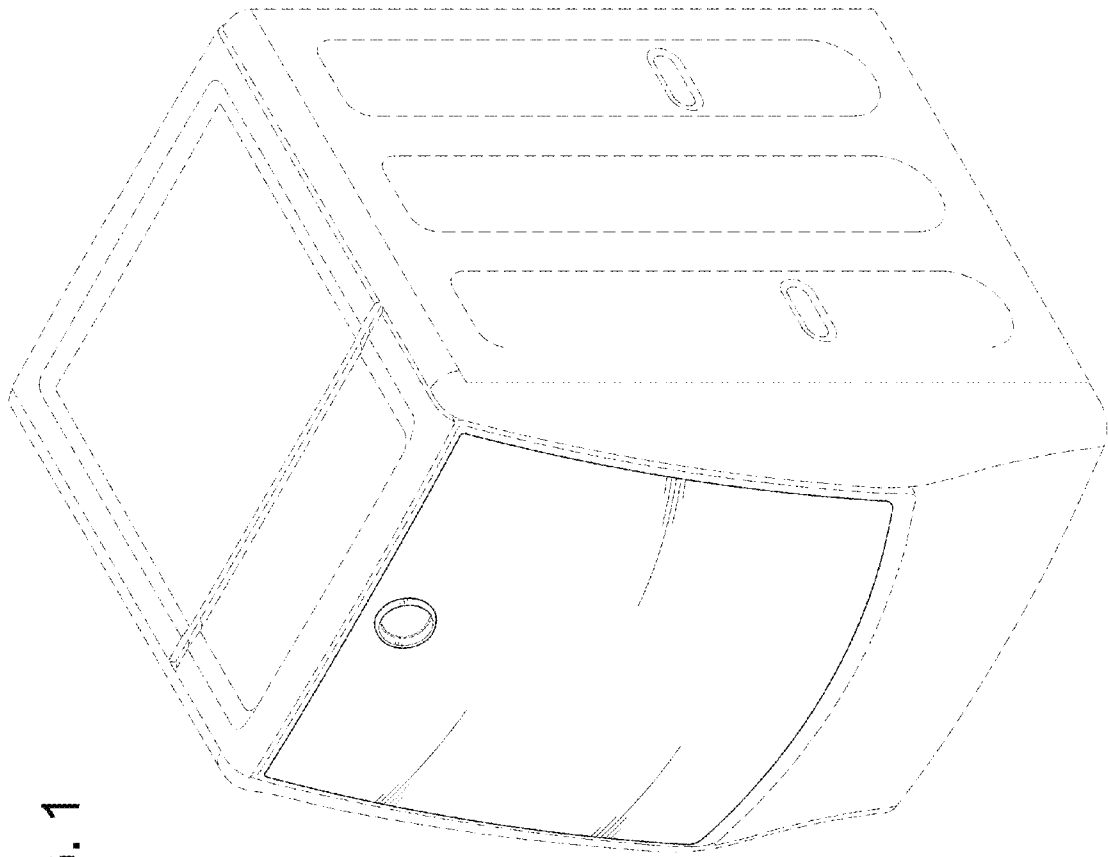


FIG. 1

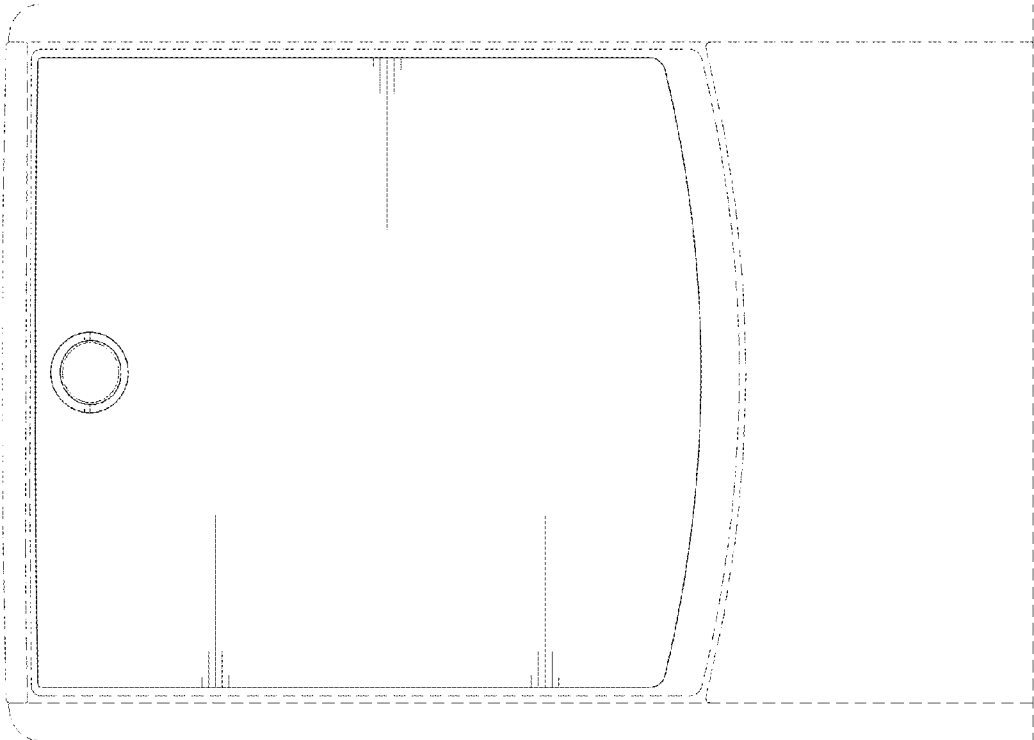


FIG. 2



FIG. 3

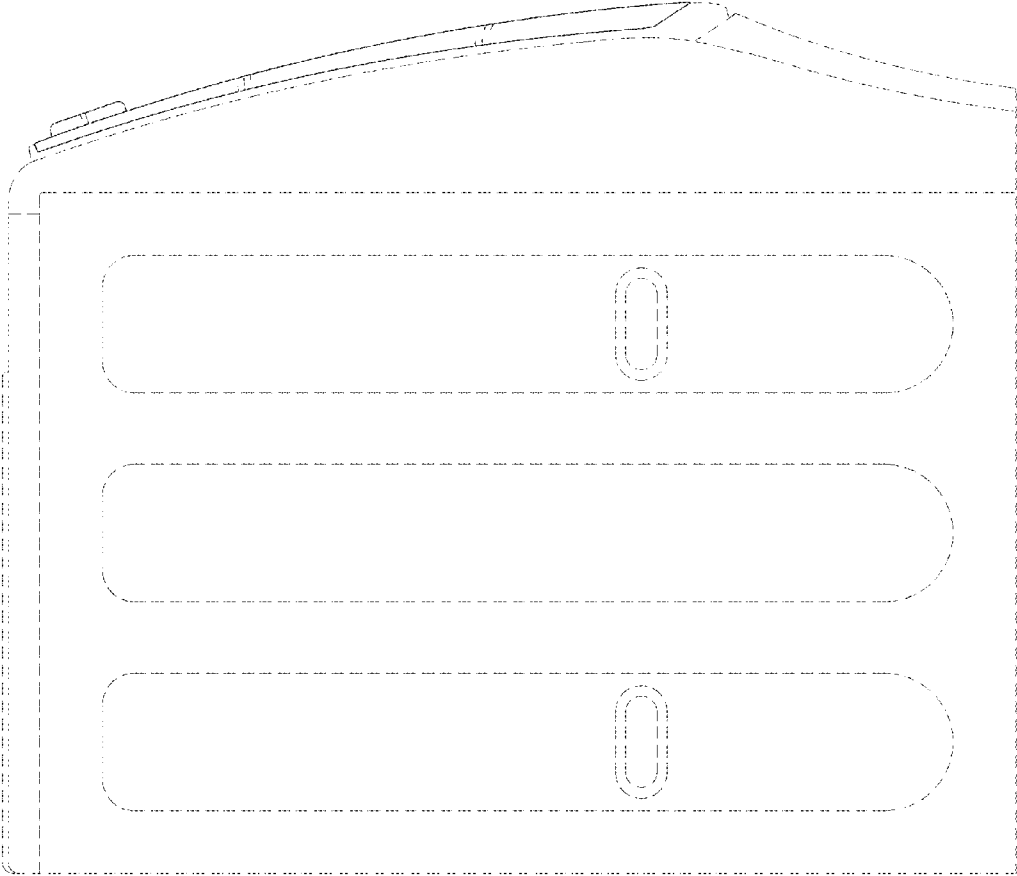


FIG. 4

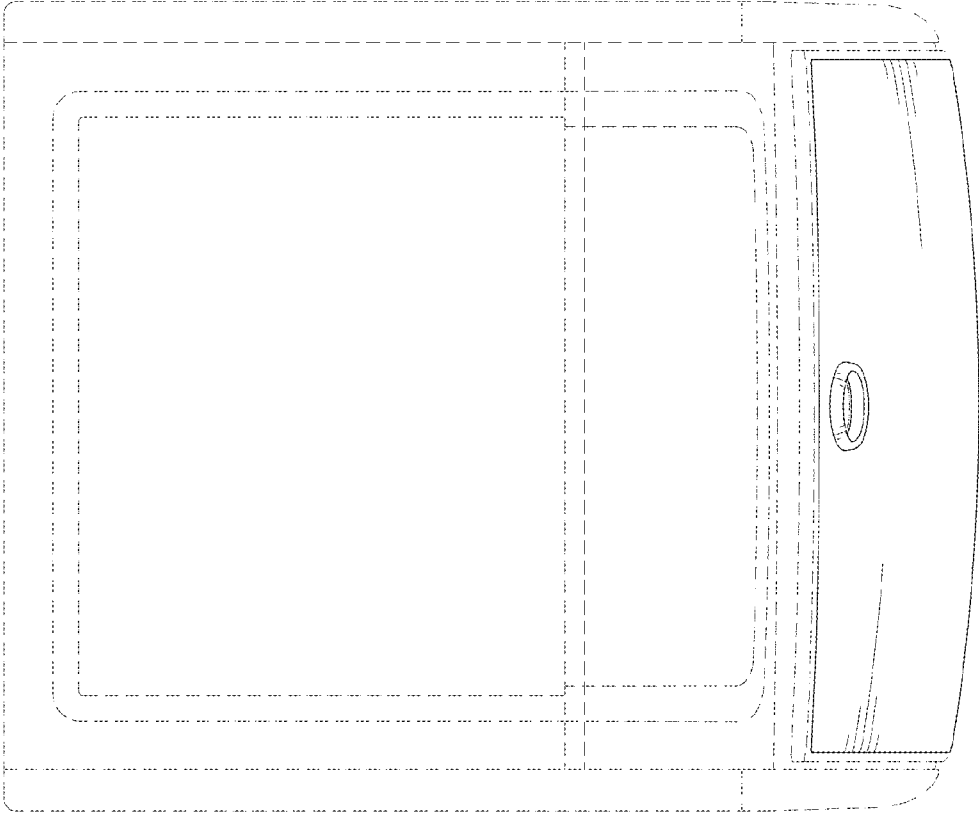


FIG. 5

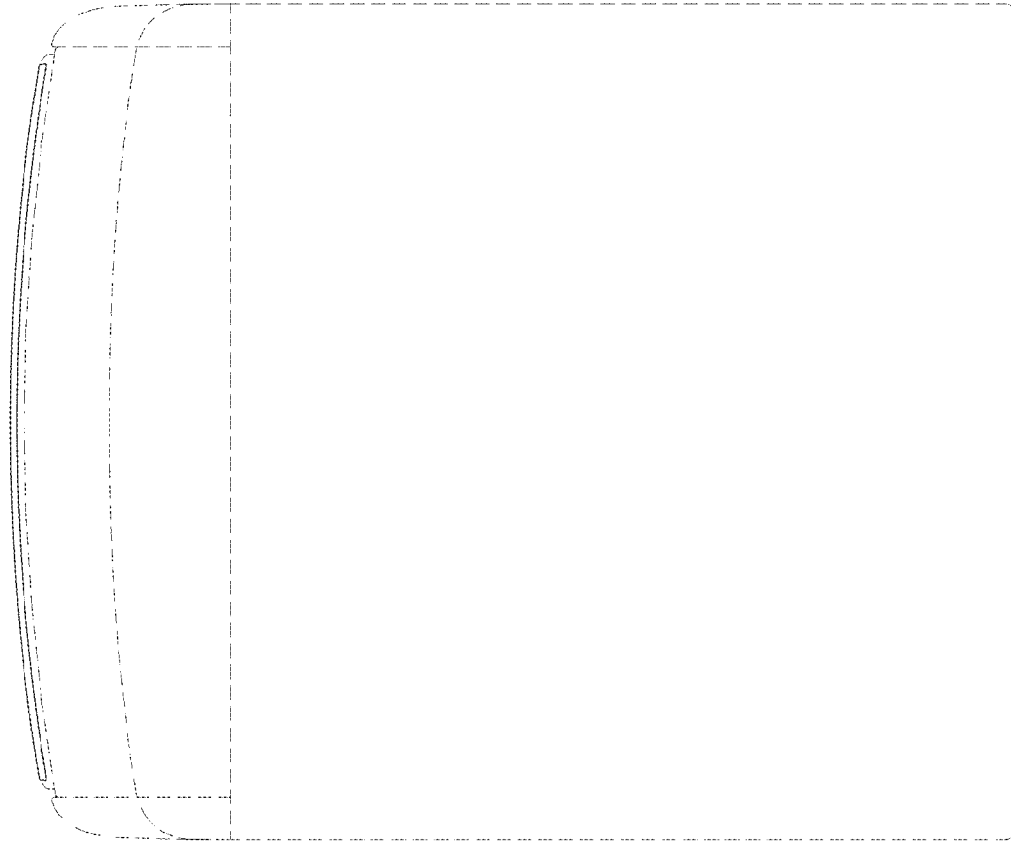


FIG. 6



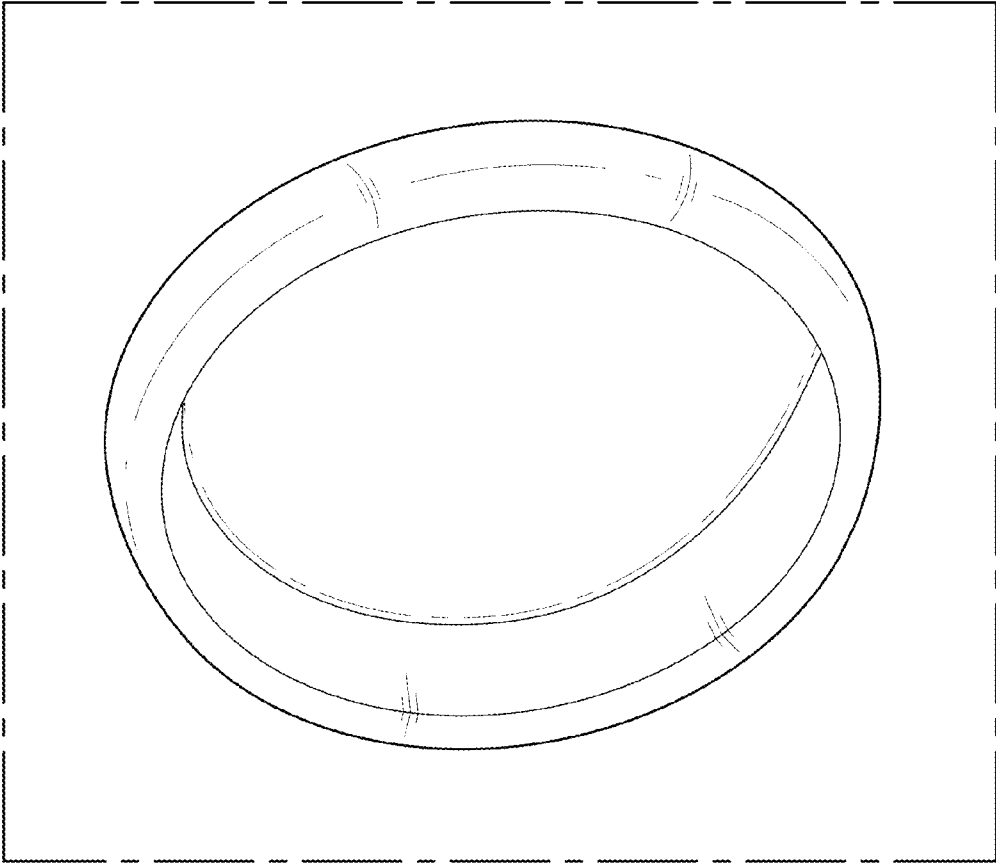


FIG. 7