



(12) **United States Design Patent**  
**Tian**

(10) **Patent No.:** **US D1,004,660 S**  
(45) **Date of Patent:** **\*\* Nov. 14, 2023**

- (54) **WAREHOUSE ROBOT**
- (71) Applicant: **HAI ROBOTICS CO., LTD.**,  
Guangdong (CN)
- (72) Inventor: **Wenzhao Tian**, Guangdong (CN)
- (73) Assignee: **HAI ROBOTICS CO., LTD.**,  
Shenzhen (CN)
- (\*\*) Term: **15 Years**
- (21) Appl. No.: **29/833,654**
- (22) Filed: **Apr. 6, 2022**
- (30) **Foreign Application Priority Data**  
Oct. 19, 2021 (CN) ..... 202130685698.6
- (51) **LOC (14) Cl.** ..... **15-99**
- (52) **U.S. Cl.** ..... **D15/199**  
USPC ..... **D15/199**
- (58) **Field of Classification Search**  
USPC ..... D15/122, 199; D21/578; D34/18, 28, 34  
CPC ..... B65G 1/0435; B65G 1/1373; B65G  
2203/0216; B66F 9/063; G05D  
2201/0216; G06Q 10/08; Y10S 901/00;  
Y10S 901/01  
See application file for complete search history.

D995,594 S *	8/2023	Tian	.....	D15/199
D995,595 S *	8/2023	Tian	.....	D15/199
D995,596 S *	8/2023	Zhuo	.....	D15/199
2019/0352092 A1 *	11/2019	Zheng	.....	B66F 9/141

**FOREIGN PATENT DOCUMENTS**

CN	305316227 S	8/2019
CN	306229901 S	12/2020
CN	306235941 S	12/2020
CN	306278348 S	1/2021
CN	306431352 S	4/2021
CN	306477990 S	4/2021
CN	306540533 S	5/2021
CN	306752245 S	8/2021
CN	306768283 S	8/2021
CN	306817017 S	9/2021
CN	306823981 S	9/2021
CN	306927774 S	11/2021
EM	0067767530001 S	9/2019
EM	0067767530002 S	9/2019

(Continued)

*Primary Examiner* — Patricia A Palasik  
(74) *Attorney, Agent, or Firm* — LADAS & PARRY LLP

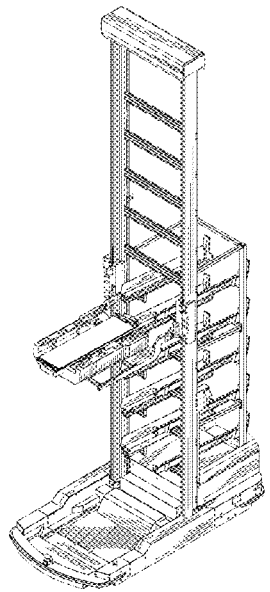
(57) **CLAIM**  
The ornamental design for a warehouse robot, as shown and described.

**DESCRIPTION**

FIG. 1 is a first perspective view of a warehouse robot;  
FIG. 2 is a second perspective view thereof;  
FIG. 3 is a front view thereof;  
FIG. 4 is a rear view thereof;  
FIG. 5 is a left view thereof;  
FIG. 6 is a right view thereof;  
FIG. 7 is a top view thereof; and,  
FIG. 8 is a bottom view thereof.  
The broken lines shown in the drawings represent portions of the warehouse robot that form no part of the claimed design.

**1 Claim, 8 Drawing Sheets**

- (56) **References Cited**  
U.S. PATENT DOCUMENTS  
D918,281 S \* 5/2021 Kong ..... D15/199  
D945,507 S \* 3/2022 Kremesec ..... D15/199  
D959,529 S \* 8/2022 Kong ..... D15/199  
D961,646 S \* 8/2022 Kong ..... D15/199  
11,465,840 B2 \* 10/2022 Cheng ..... B25J 15/0014  
D969,896 S \* 11/2022 Kong ..... D15/199  
D995,591 S \* 8/2023 Zhuo ..... D15/199  
D995,592 S \* 8/2023 Zhuo ..... D15/199



(56)

**References Cited**

FOREIGN PATENT DOCUMENTS

EM	0085252650001 S	5/2021
EM	0086341330001 S	8/2021
EM	0086851010001 S	9/2021
GB	90067767530001 S	8/2019
GB	90067767530002 S	8/2019
GB	6134299 S	4/2021
GB	6152102 S	8/2021
GB	6163467 S	9/2021

\* cited by examiner

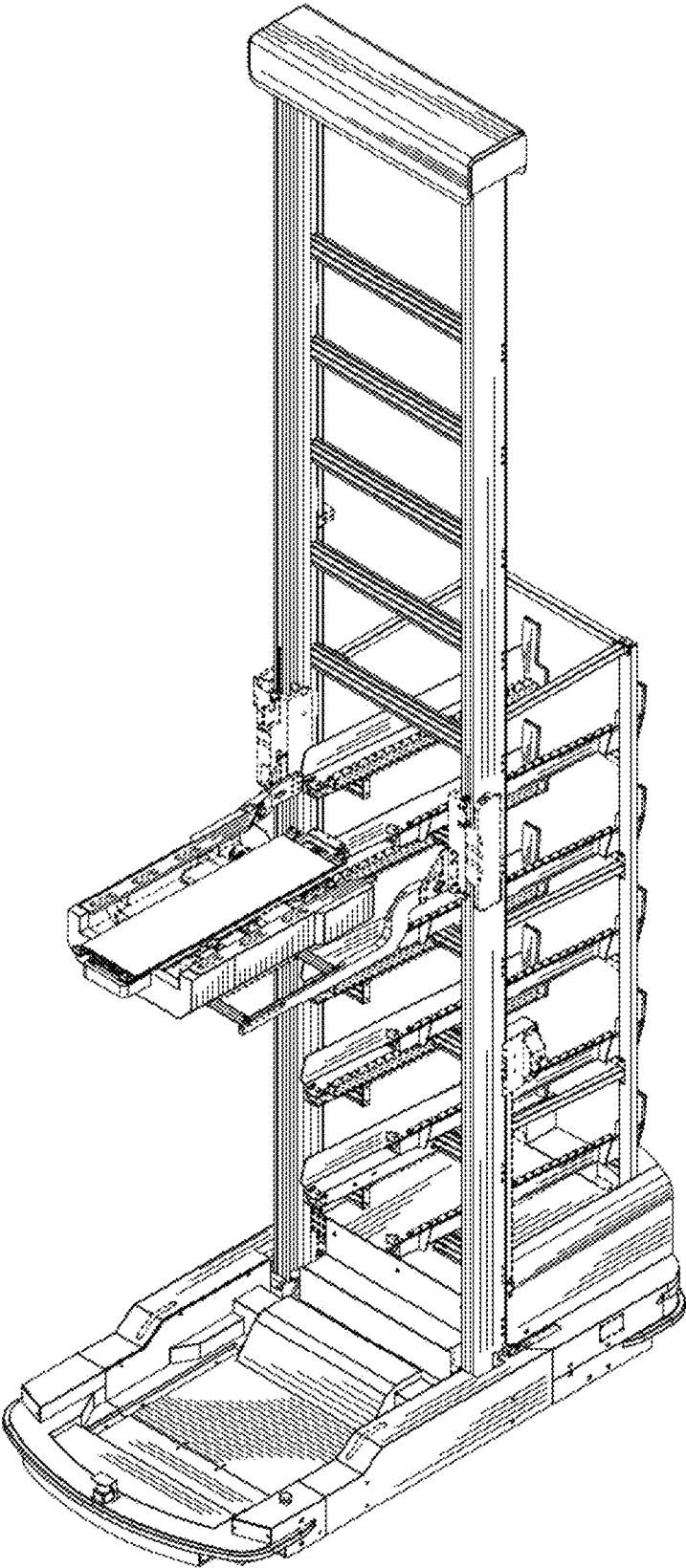


FIG.1

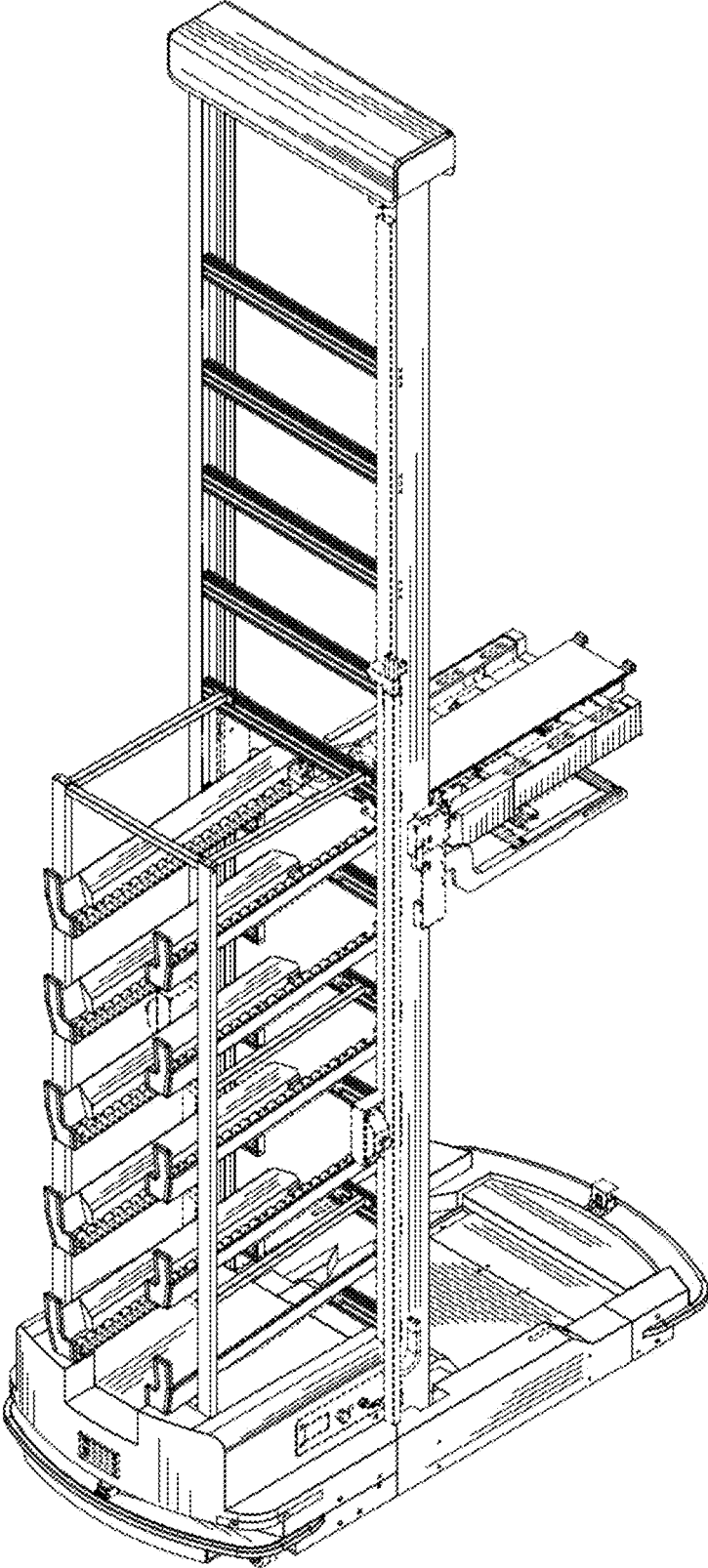


FIG.2

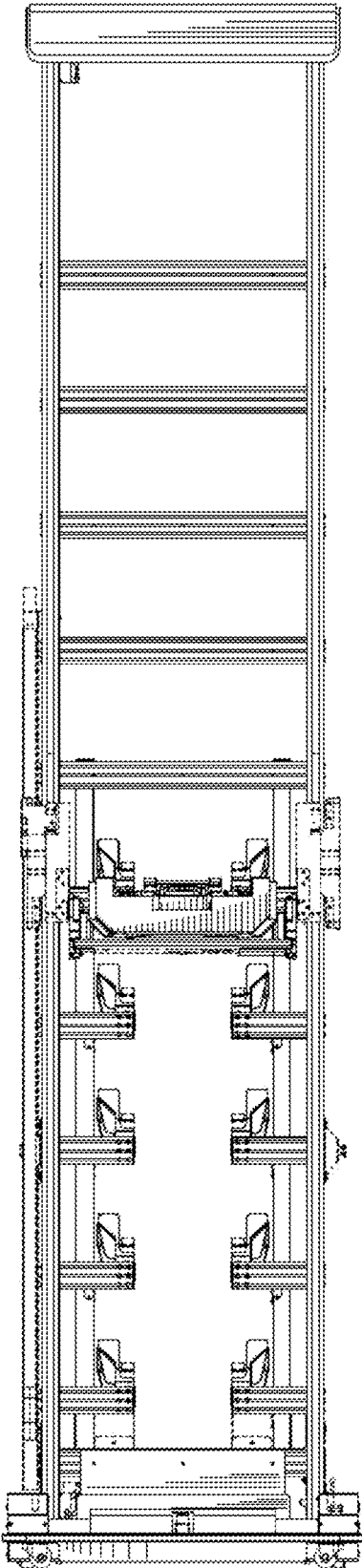


FIG.3

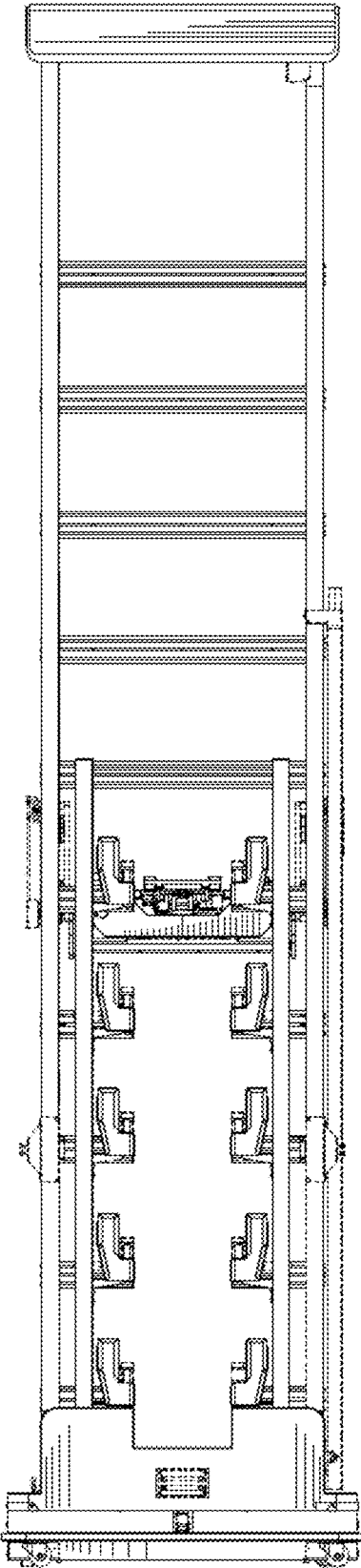


FIG.4

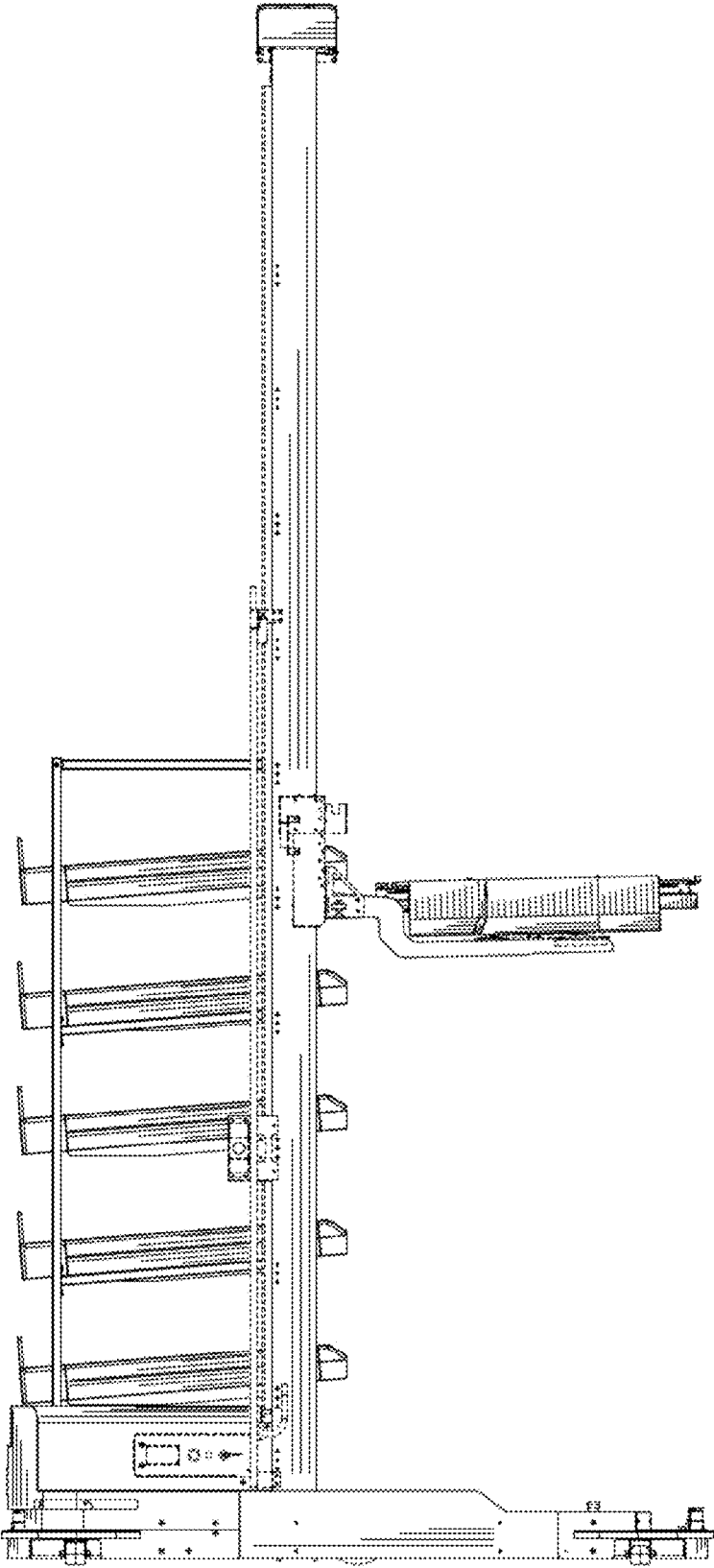


FIG.5

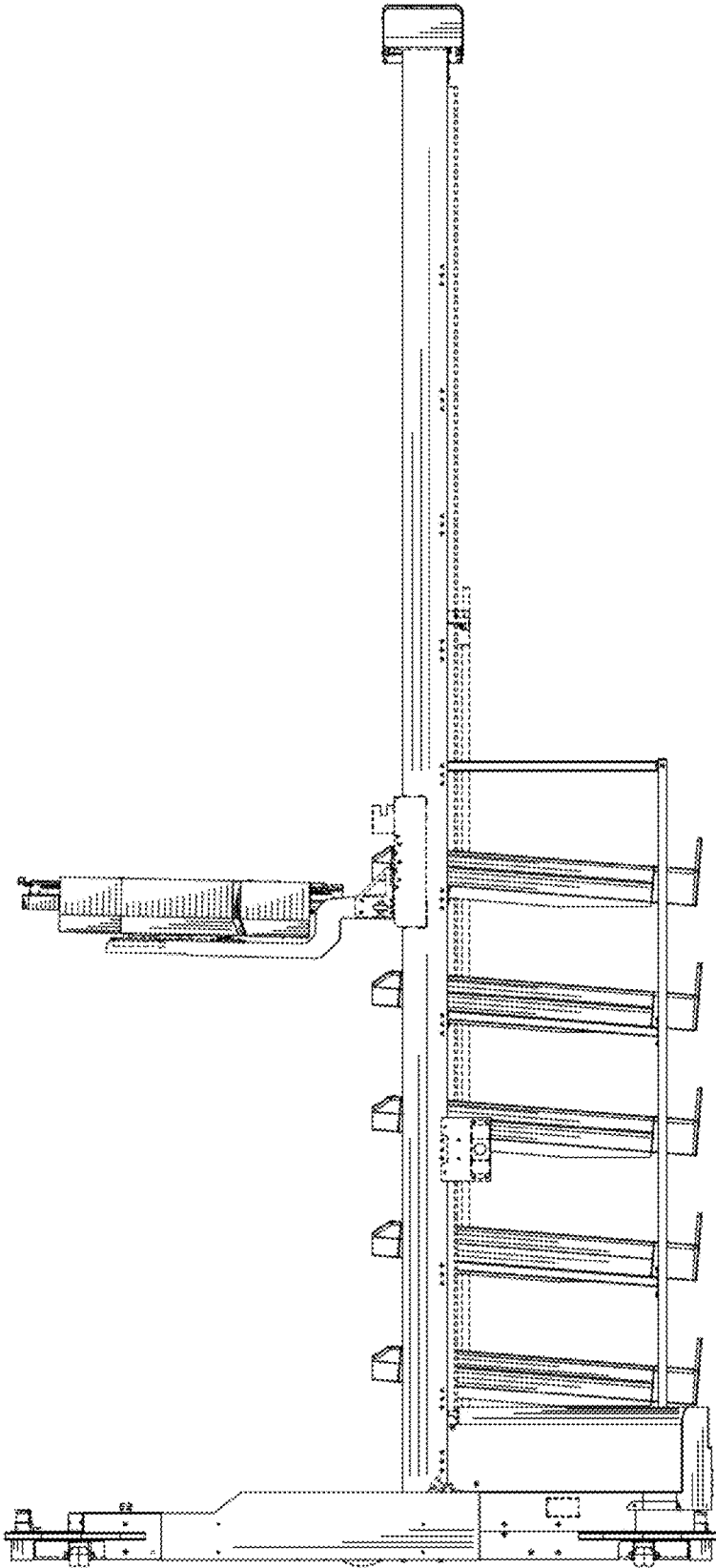


FIG.6

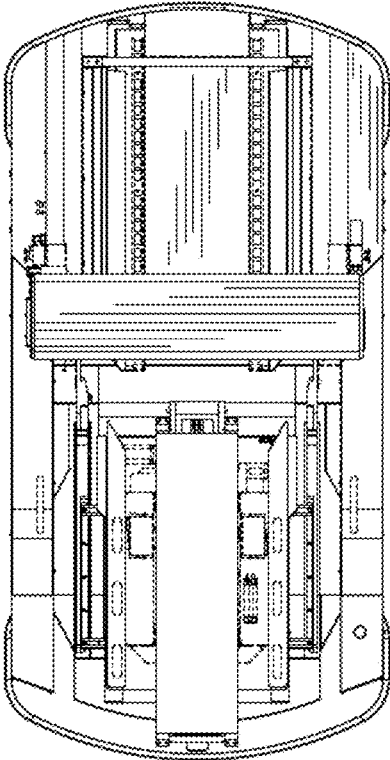


FIG.7

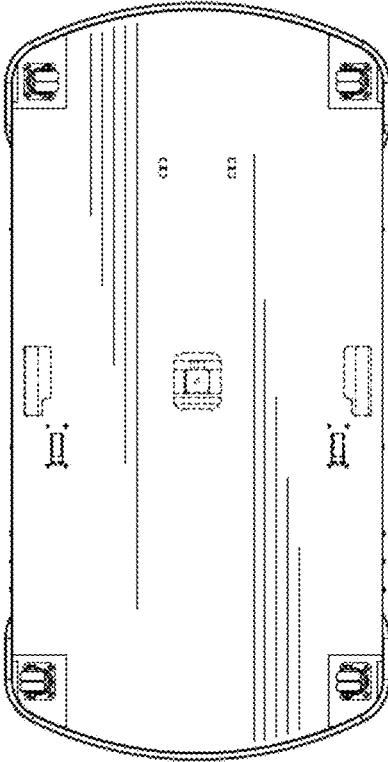


FIG.8