



US00D403293S

United States Patent [19]
Söderström

[11] **Patent Number: Des. 403,293**
[45] **Date of Patent: **Dec. 29, 1998**

[54] **TRANSPORT BOX FOR USE WITH BICYCLES**
[76] Inventor: **Sven-Eric Söderström**, Älgvägon 16, S
199 71 Enköpinc, Sweden

[**] Term: **14 Years**

[21] Appl. No.: **79,646**

[22] Filed: **Dec. 9, 1997**

[30] **Foreign Application Priority Data**

Jun. 11, 1997 [SE] Sweden 97-1362

[51] **LOC (6) Cl.** **12-16**

[52] **U.S. Cl.** **D12/410**

[58] **Field of Search** D12/410; 224/415,
224/417, 414, 421, 435, 448

[56] **References Cited**

U.S. PATENT DOCUMENTS

D. 274,233 6/1984 Kusz D12/410

D. 321,677	11/1991	Saito et al.	D12/410 X
D. 322,591	12/1991	Van Vlundren	D12/410
D. 339,783	9/1993	Delage et al.	D12/410
D. 346,572	5/1994	Honey	D12/410
D. 347,819	6/1994	Katz	D12/410
4,026,448	5/1977	Lewis	224/415

Primary Examiner—Melody N. Brown
Attorney, Agent, or Firm—Young & Thompson

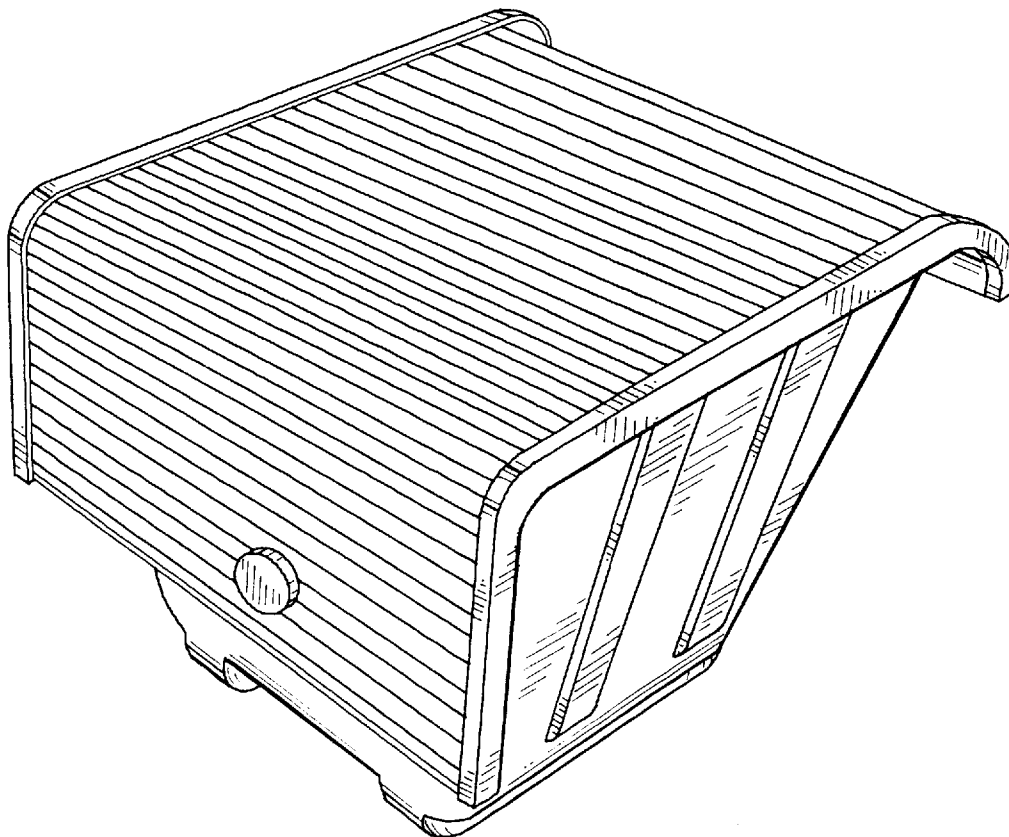
[57] **CLAIM**

The ornamental design for a tranport box for use with bicycles, as shown and described.

DESCRIPTION

FIG. 1 is a top and side perspective view of a transport box for use with bicycles showing my new design;
FIG. 2 is a bottom and opposite side perspective view thereof; and,
FIG. 3 is a top and side perspective view of the transport box as in FIG. 1, with a sliding lid.

1 Claim, 2 Drawing Sheets



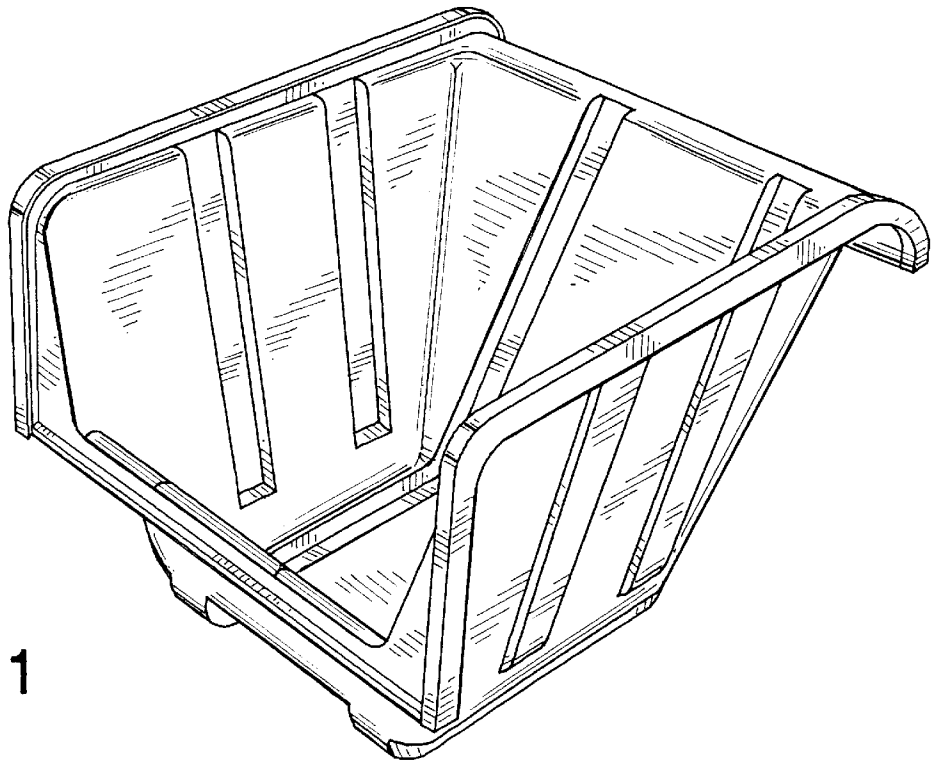


FIG. 1

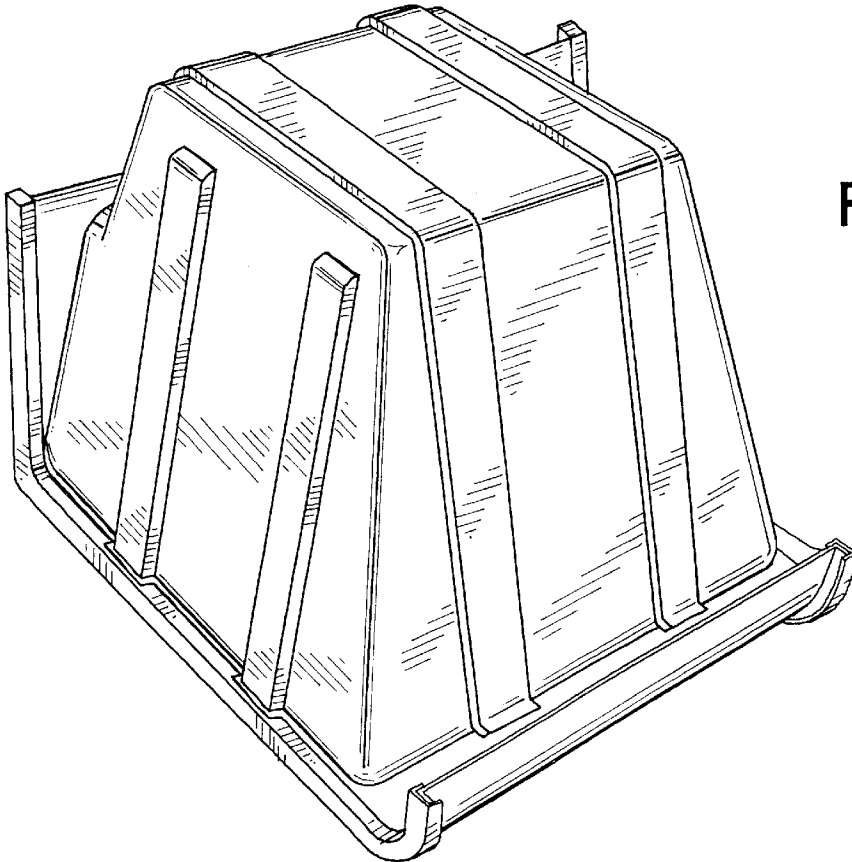


FIG. 2

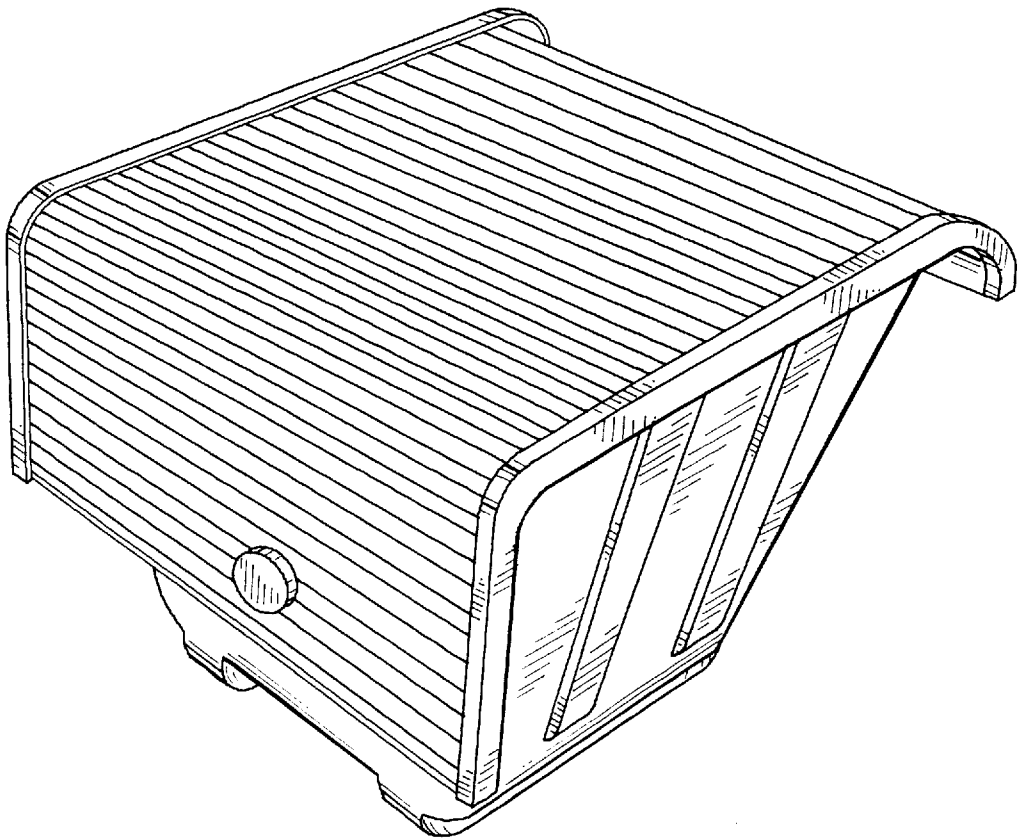


FIG. 3