



US00D429600S

# United States Patent [19]

[11] Patent Number: **Des. 429,600**

Fuentes

[45] Date of Patent: **\*\* Aug. 22, 2000**

[54] **DEEP FRYING UTENSIL**

1,888,141 11/1932 Orth ..... 211/41.2  
4,117,825 10/1978 Robertson ..... 99/422 X

[76] Inventor: **Angel Fuentes**, 9816 Kennedy Ave., Highland, Ind. 46322

*Primary Examiner*—Caron D. Veynar  
*Attorney, Agent, or Firm*—Goldstein & Canino

[\*\*] Term: **14 Years**

## [57] CLAIM

[21] Appl. No.: **29/111,541**

The ornamental design for a deep frying utensil, as shown and described.

[22] Filed: **Sep. 29, 1999**

## DESCRIPTION

[51] **LOC (7) Cl.** ..... **07-02**

[52] **U.S. Cl.** ..... **D7/409**

[58] **Field of Search** ..... D7/323, 409, 402;  
99/393, 394, 422; 126/1 R, 24, 25 R, 29,  
332, 337 R; 211/41.2; D6/465

FIG. 1 is a diagrammatic perspective view of a deep frying utensil.

FIG. 2 is a front elevational view thereof.

FIG. 3 is a rear elevational view thereof.

FIG. 4 is a left side elevational view thereof, the right side elevational view being a mirror image of the left side view.

FIG. 5 is a top plan view of a deep frying utensil; and,

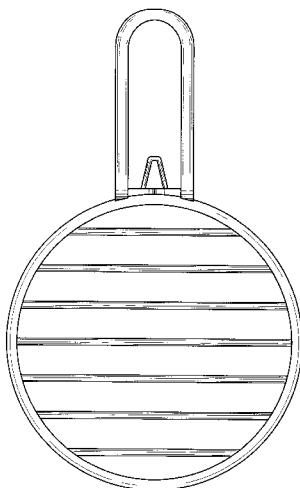
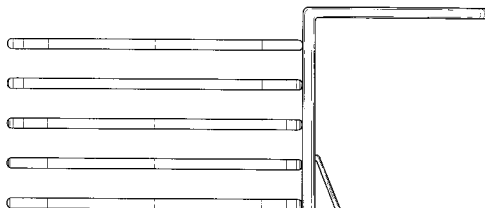
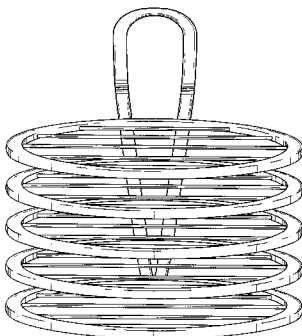
FIG. 6 is a bottom plan view thereof.

## [56] References Cited

### U.S. PATENT DOCUMENTS

D. 286,128 10/1986 Bowen et al. .... D7/402  
D. 304,991 12/1989 Roberge ..... D7/409  
D. 364,288 11/1995 Kramer et al. .... D6/465

**1 Claim, 5 Drawing Sheets**



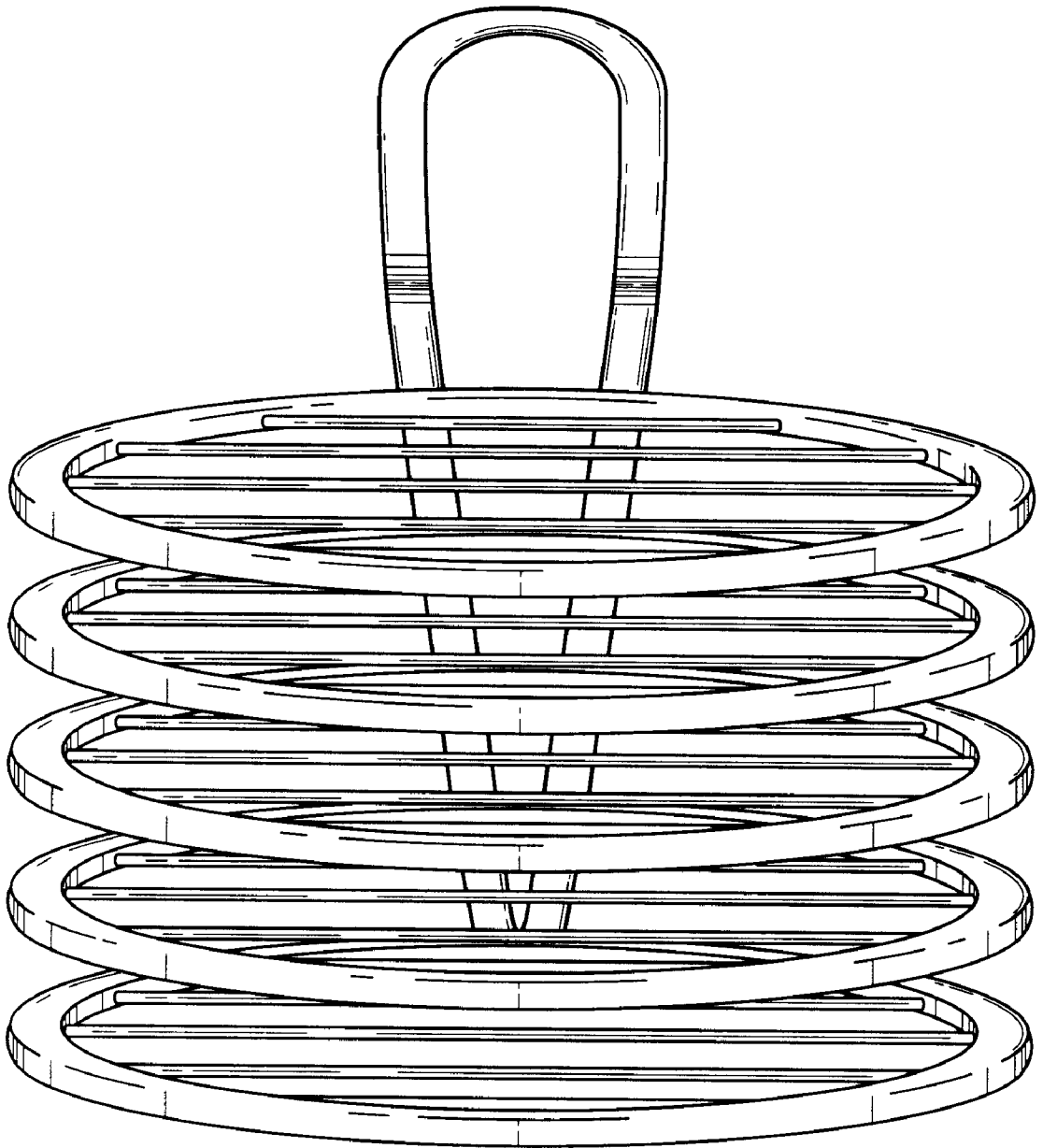


FIG. 1

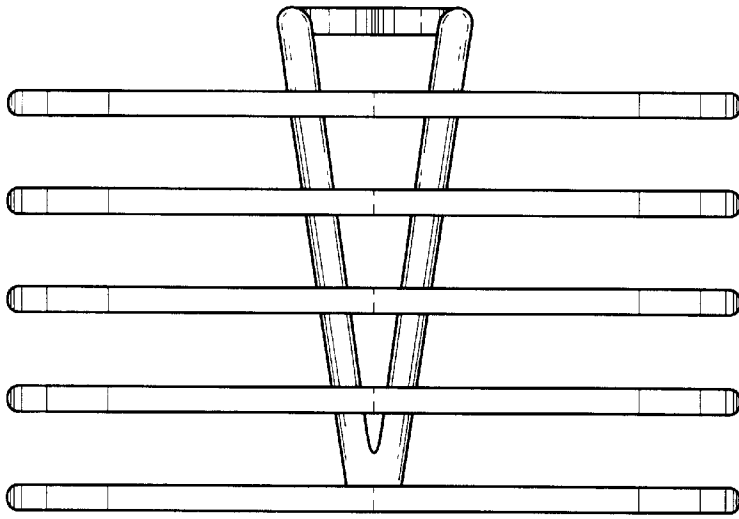


FIG. 2

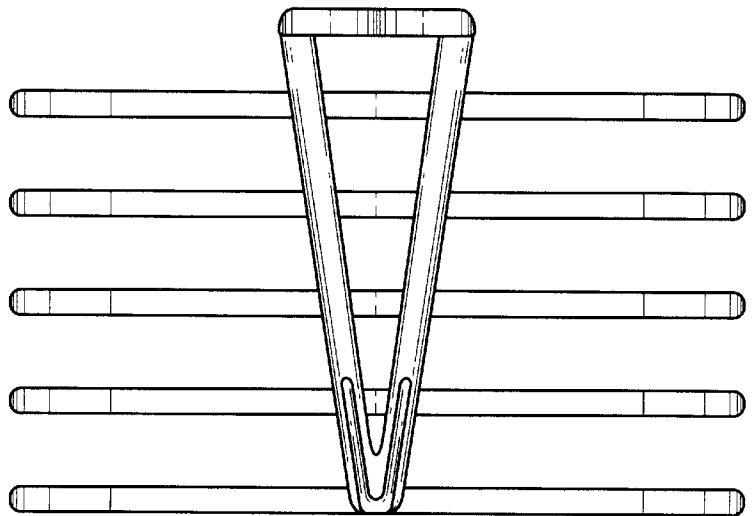


FIG. 3

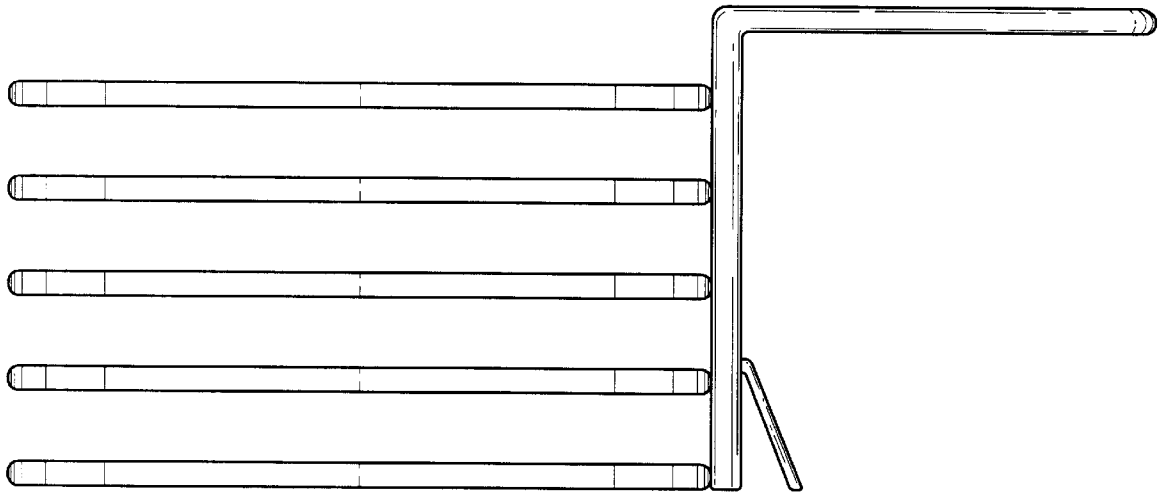


FIG. 4

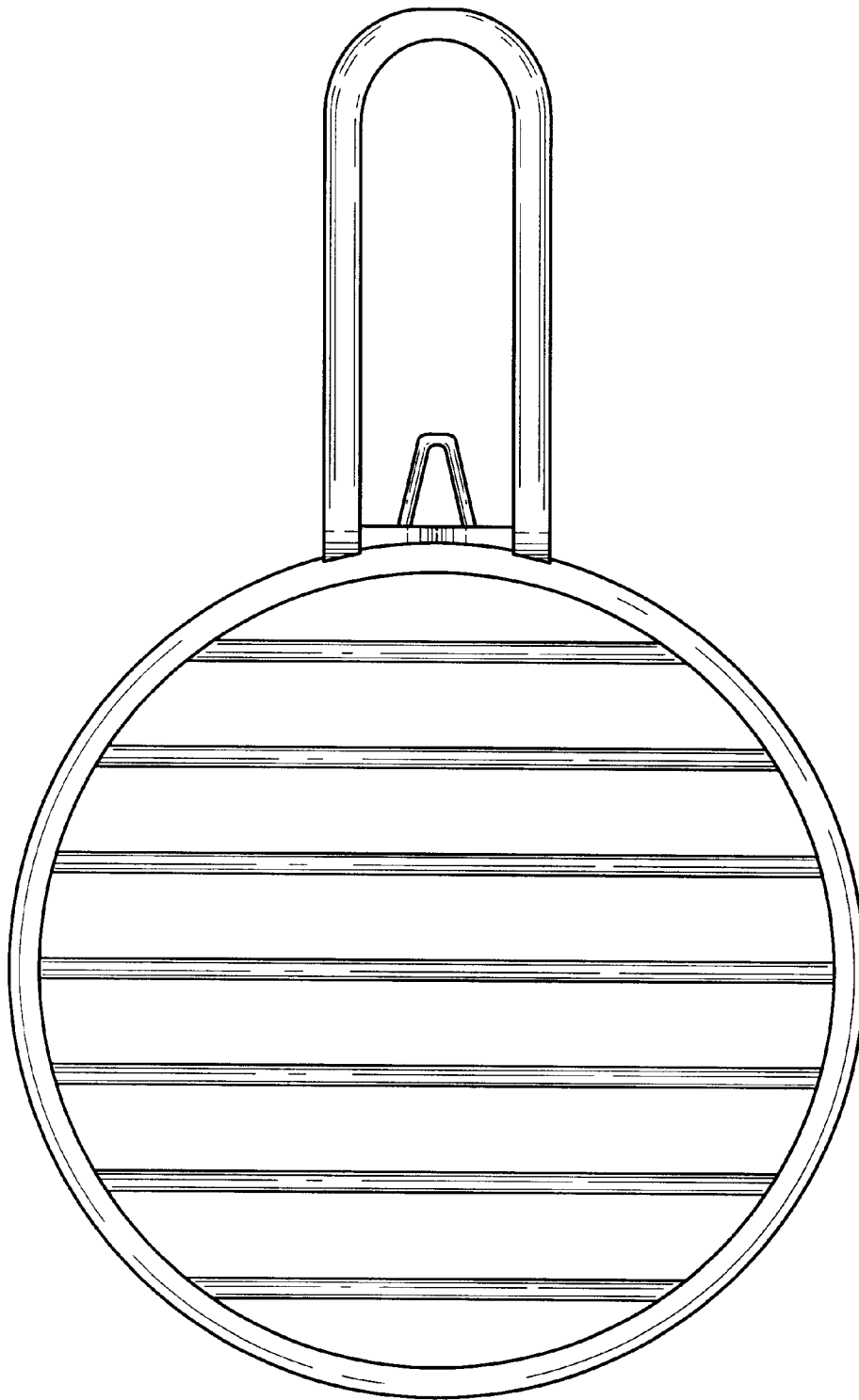


FIG. 5

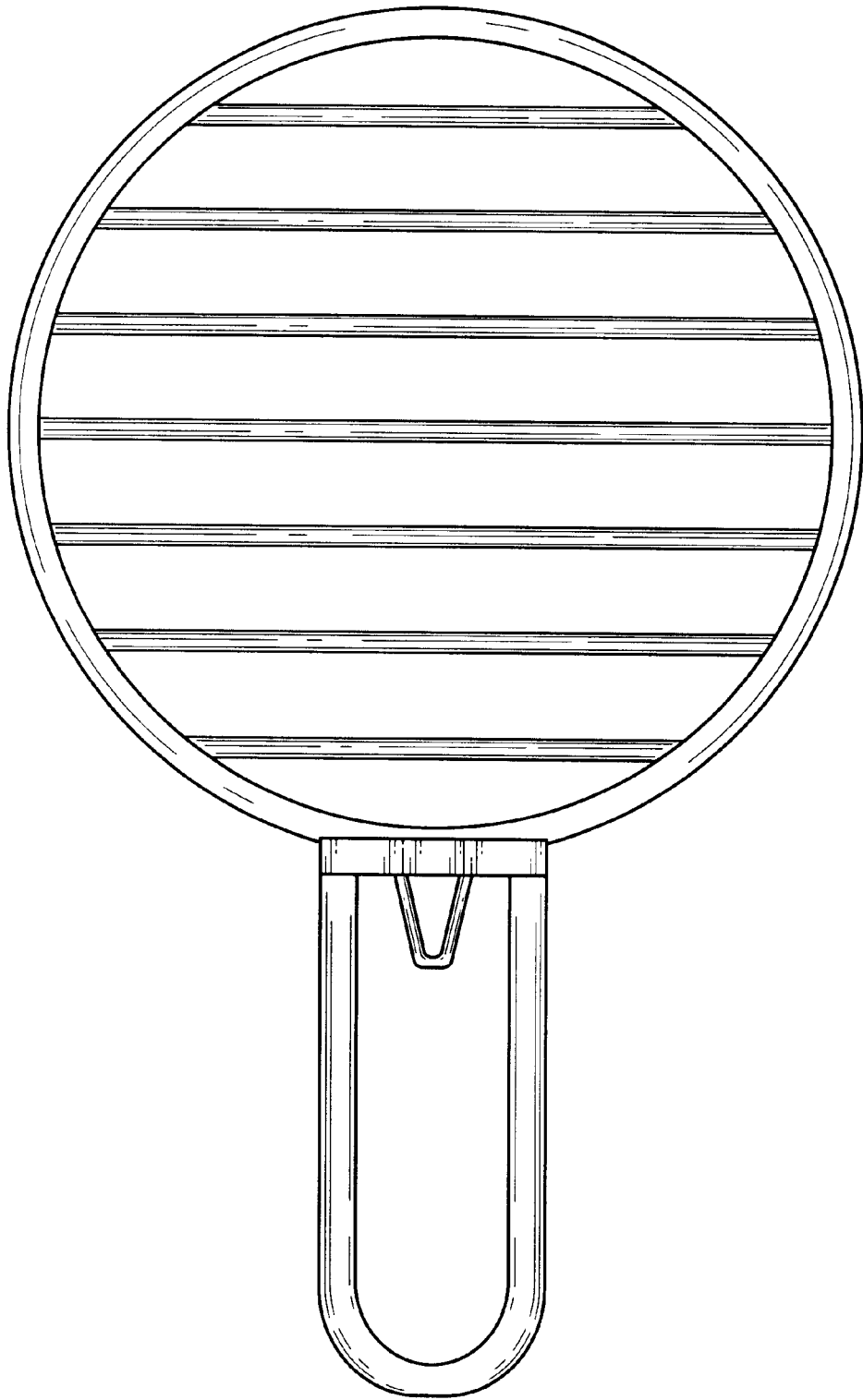


FIG. 6