

(19) World Intellectual Property Organization
International Bureau



(43) International Publication Date
12 April 2007 (12.04.2007)

PCT

(10) International Publication Number
WO 2007/040813 A3

- (51) International Patent Classification:
B65D 1/34 (2006.01)
- (21) International Application Number:
PCT/US2006/030694
- (22) International Filing Date: 7 August 2006 (07.08.2006)
- (25) Filing Language: English
- (26) Publication Language: English
- (30) Priority Data:
11/235,482 26 September 2005 (26.09.2005) US
- (71) Applicant (for all designated States except US): HONDA MOTOR CO., LTD. [JP/JP]; 1-1, MINAMI-AOYAMA 2-CHOME, Minato-ku, Tokyo (JP).

CO, CR, CU, CZ, DE, DK, DM, DZ, EC, EE, EG, ES, FI, GB, GD, GE, GH, GM, HN, HR, HU, ID, IL, IN, IS, JP, KE, KG, KM, KN, KP, KR, KZ, LA, LC, LK, LR, LS, LT, LU, LV, LY, MA, MD, MG, MK, MN, MW, MX, MZ, NA, NG, NI, NO, NZ, OM, PG, PH, PL, PT, RO, RS, RU, SC, SD, SE, SG, SK, SL, SM, SY, TJ, TM, TN, TR, TT, TZ, UA, UG, US, UZ, VC, VN, ZA, ZM, ZW.

- (84) Designated States (unless otherwise indicated, for every kind of regional protection available): ARIPO (BW, GH, GM, KE, LS, MW, MZ, NA, SD, SL, SZ, TZ, UG, ZM, ZW), Eurasian (AM, AZ, BY, KG, KZ, MD, RU, TJ, TM), European (AT, BE, BG, CH, CY, CZ, DE, DK, EE, ES, FI, FR, GB, GR, HU, IE, IS, IT, LT, LU, LV, MC, NL, PL, PT, RO, SE, SI, SK, TR), OAPI (BF, BJ, CF, CG, CI, CM, GA, GN, GQ, GW, ML, MR, NE, SN, TD, TG).

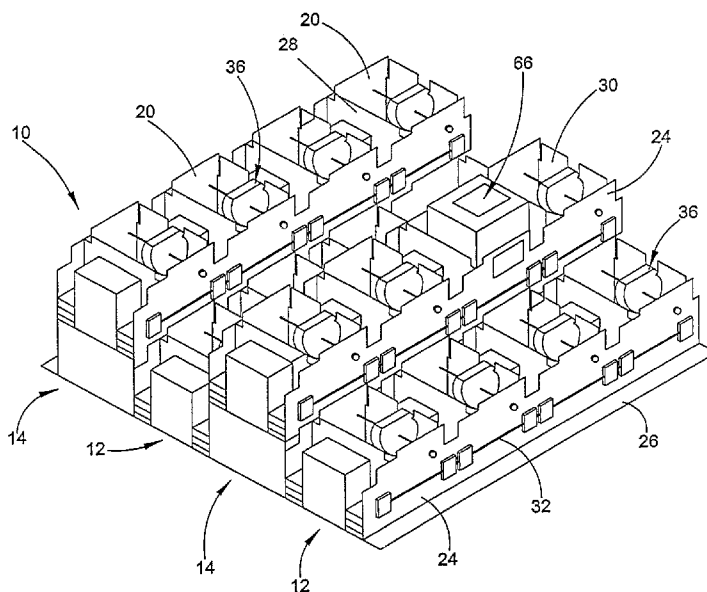
- (72) Inventor; and
- (75) Inventor/Applicant (for US only): STEFANIK, Michael, L. [US/US]; Honda Of America MFG., INC., 24000 Honda Parkway, Marysville, OH 43040-9251 (US).
- (74) Agent: SPAW, David, E.; Rankin, Hill, Porter & Clark LLP, 4080 Erie Street, Willoughby, OH 44094-7836 (US).
- (81) Designated States (unless otherwise indicated, for every kind of national protection available): AE, AG, AL, AM, AT, AU, AZ, BA, BB, BG, BR, BW, BY, BZ, CA, CH, CN,

Published:
 — with international search report
 — before the expiration of the time limit for amending the claims and to be republished in the event of receipt of amendments

(88) Date of publication of the international search report:
14 June 2007

For two-letter codes and other abbreviations, refer to the "Guidance Notes on Codes and Abbreviations" appearing at the beginning of each regular issue of the PCT Gazette.

(54) Title: PACKAGING MATERIAL HAVING A CAM LOCK



(57) Abstract: A packaging dunnage including a plurality of packaging columns having a pair of sidewalls, a bottom wall, a plurality of front transverse walls, and a plurality of rear transverse walls that cooperate to define a plurality of cells. Each of the cells is adapted to receive an article for shipment, and is associated with a cam lock assembly. The cam lock assembly includes a lock member that is movable between a first orientation and a second orientation. When the lock member is in the first orientation the cell is adapted to stably receive a first size article. When the lock member is in the second orientation, the cell is adapted to stably receive a second size article. The packaging dunnage is further adapted to receive articles having sizes between the first and second sizes.



WO 2007/040813 A3

INTERNATIONAL SEARCH REPORT

International application No.

PCT/US06/30694

A. CLASSIFICATION OF SUBJECT MATTER IPC(8) - B65D 01/34 (2007.01) USPC - 206/564 According to International Patent Classification (IPC) or to both national classification and IPC		
B. FIELDS SEARCHED Minimum documentation searched (classification system followed by classification symbols) IPC(8) B65D 85/00, 85/20, 73/00, 01/34, 06/04, 01/24, 01/36, 25/04, 57/00 (2007.01) USPC - 206/701, 722, 725, 443, 488, 560, 564, 565; 220/ 507 Documentation searched other than minimum documentation to the extent that such documents are included in the fields searched Electronic data base consulted during the international search (name of data base and, where practicable, search terms used) MicroPatent, IP.com, DialogPro		
C. DOCUMENTS CONSIDERED TO BE RELEVANT		
Category*	Citation of document, with indication, where appropriate, of the relevant passages	Relevant to claim No.
X	EP 160,741 A2 (LAKE) 13 November 1985 (13.11.1985) entire document	1, 4
Y	US 4,538,737 A (DELANEY) 03 September 1985 (03.09.1985) entire document	1, 2, 4
Y	US 5,370,225 A (COREY et al) 06 December 1994 (06.12.1994) entire document	1, 2, 4
<input type="checkbox"/> Further documents are listed in the continuation of Box C. <input type="checkbox"/>		
* Special categories of cited documents: "A" document defining the general state of the art which is not considered to be of particular relevance "E" earlier application or patent but published on or after the international filing date "L" document which may throw doubts on priority claim(s) or which is cited to establish the publication date of another citation or other special reason (as specified) "O" document referring to an oral disclosure, use, exhibition or other means "P" document published prior to the international filing date but later than the priority date claimed "T" later document published after the international filing date or priority date and not in conflict with the application but cited to understand the principle or theory underlying the invention "X" document of particular relevance; the claimed invention cannot be considered novel or cannot be considered to involve an inventive step when the document is taken alone "Y" document of particular relevance; the claimed invention cannot be considered to involve an inventive step when the document is combined with one or more other such documents, such combination being obvious to a person skilled in the art "&" document member of the same patent family		
Date of the actual completion of the international search 29 January 2007		Date of mailing of the international search report 24 APR 2007
Name and mailing address of the ISA/US Mail Stop PCT, Attn: ISA/US, Commissioner for Patents P.O. Box 1450, Alexandria, Virginia 22313-1450 Facsimile No. 571-273-3201		Authorized officer: Blaine R. Copenheaver PCT Helpdesk: 571-272-4300 PCT OSP: 571-272-7774