

(19) World Intellectual Property Organization
International Bureau



(43) International Publication Date
7 March 2002 (07.03.2002)

PCT

(10) International Publication Number
WO 02/19053 A3

(51) International Patent Classification⁷: H04Q 7/00

DE, DK, DM, DZ, EE, ES, FI, GB, GD, GE, GH, GM, HR, HU, ID, IL, IN, IS, JP, KE, KG, KP, KZ, LC, LK, LR, LS, LT, LU, LV, MA, MD, MG, MK, MN, MW, MX, MZ, NO, NZ, PL, PT, RO, RU, SD, SE, SG, SI, SK, SL, TJ, TM, TR, TT, TZ, UA, UG, US, UZ, VN, YU, ZA, ZW.

(21) International Application Number: PCT/KR01/01458

(22) International Filing Date: 29 August 2001 (29.08.2001)

(25) Filing Language: Korean

(84) Designated States (regional): ARIPO patent (GH, GM, KE, LS, MW, MZ, SD, SL, SZ, TZ, UG, ZW), Eurasian patent (AM, AZ, BY, KG, KZ, MD, RU, TJ, TM), European patent (AT, BE, CH, CY, DE, DK, ES, FI, FR, GB, GR, IE, IT, LU, MC, NL, PT, SE, TR), OAPI patent (BF, BJ, CF, CG, CI, CM, GA, GN, GW, ML, MR, NE, SN, TD, TG).

(26) Publication Language: English

(30) Priority Data:
2000/051597 1 September 2000 (01.09.2000) KR

(71) Applicant and

Published:
— with international search report

(72) Inventor: PARK, Ki, Eob [KR/KR]; 1304, Hanla Classic Bldg., 824-11, Yeoksam-dong, Kangnam-ku, Seoul 135-080 (KR).

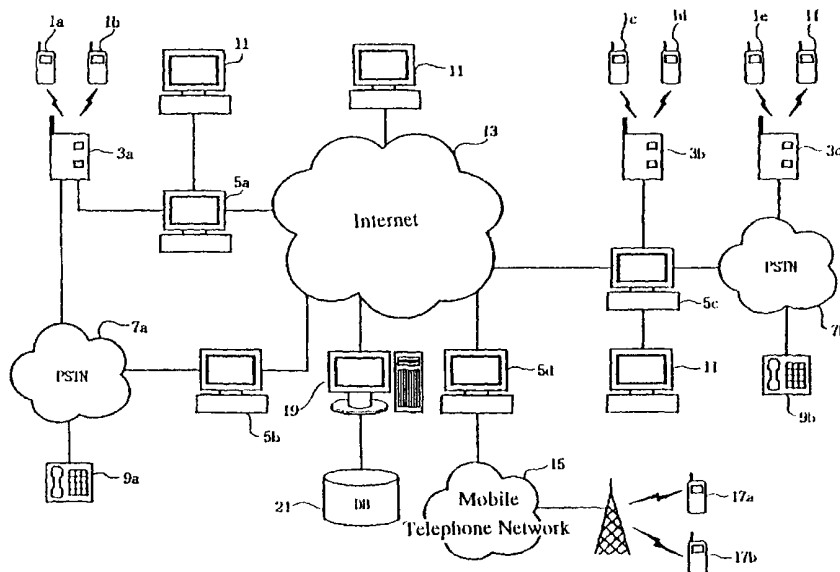
(88) Date of publication of the international search report:
16 May 2002

(74) Agent: CHUNG, Byung, Ho; 5F, Seoul Bldg., 628-6, Yeoksam-dong, Kangnam-ku, Seoul 135-080 (KR).

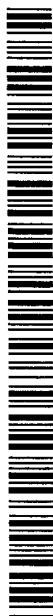
(81) Designated States (national): AE, AG, AL, AM, AT, AU, AZ, BA, BB, BG, BR, BY, BZ, CA, CH, CN, CR, CU, CZ,

For two-letter codes and other abbreviations, refer to the "Guidance Notes on Codes and Abbreviations" appearing at the beginning of each regular issue of the PCT Gazette.

(54) Title: METHOD AND SYSTEM FOR PROVIDING WIRELESS MULTIMEDIA SERVICES USING BLUETOOTH



(57) Abstract: Disclosed are a system for and a method of providing wireless multimedia services using Bluetooth. The system includes at least one Bluetooth terminal having an embedded Bluetooth chip able to transfer data, a converter establishing a Bluetooth network with the Bluetooth terminal, the converter being connected with a wired network, and serving to convert data used in the Bluetooth network and the wired network, and a gateway linked to the converter and adapted to perform a conversion between the data converted by the converter and an Internet packet. In accordance with the present invention, it is possible to not only inexpensively provide domestic multimedia mobile communication services between Bluetooth terminals, but also inexpensively use international multimedia services conventionally incurring a considerable charge.



WO 02/19053 A3

INTERNATIONAL SEARCH REPORT

international application No.
PCT/KR01/01458**A. CLASSIFICATION OF SUBJECT MATTER****IPC7 H04Q 7/00**

According to International Patent Classification (IPC) or to both national classification and IPC

B. FIELDS SEARCHED

Minimum documentation searched (classification system followed by classification symbols)

IPC7 H04Q 7/00

Documentation searched other than minimum documentation to the extent that such documents are included in the fields searched

Korean patent document(1975 -)

Electronic data base consulted during the international search (name of data base and, where practicable, search terms used)

IEEE/IEE ELECTRONIC LIBRARY

C. DOCUMENTS CONSIDERED TO BE RELEVANT

Category*	Citation of document, with indication, where appropriate, of the relevant passages	Relevant to claim No.
X	Local Computer Networks. 1999. LCN '99. Conference on, 18-20 Oct. 1999 page 2-11, Markus Albrencht et al. "IP services over Bluetooth: Leading the Way to a New Mobility"	1- 6, 8 - 26
A	IEEE Spectrum, vol 37 Aug. 2000 page 35 - 41, Richard Comerford "Handhelds duke it out for the Internet"	1-27
A	KR 99-005966(HYUNDAI ELECTRONIC INDUSTRY CORP.) 25 FEB. 1999	1-27

 Further documents are listed in the continuation of Box C. See patent family annex.

* Special categories of cited documents:

"A" document defining the general state of the art which is not considered to be of particular relevance

"E" earlier application or patent but published on or after the international filing date

"L" document which may throw doubts on priority claim(s) or which is cited to establish the publication date of citation or other special reason (as specified)

"O" document referring to an oral disclosure, use, exhibition or other means

"P" document published prior to the international filing date but later than the priority date claimed

"T" later document published after the international filing date or priority date and not in conflict with the application but cited to understand the principle or theory underlying the invention

"X" document of particular relevance; the claimed invention cannot be considered novel or cannot be considered to involve an inventive step when the document is taken alone

"Y" document of particular relevance; the claimed invention cannot be considered to involve an inventive step when the document is combined with one or more other such documents, such combination being obvious to a person skilled in the art

"&" document member of the same patent family

Date of the actual completion of the international search

10 DECEMBER 2001 (10.12.2001)

Date of mailing of the international search report

11 DECEMBER 2001 (11.12.2001)

Name and mailing address of the ISA/KR

Korean Intellectual Property Office
Government Complex-Daejeon, Dunsan-dong, Seo-gu, Daejeon
Metropolitan City 302-701, Republic of Korea

Facsimile No. 82-42-472-7140

Authorized officer

MIN, Boung Joon

Telephone No. 82-42-481-5746

