



US00D434770S

# United States Patent [19]

[11] Patent Number: Des. 434,770

Goto

[45] Date of Patent: \*\* Dec. 5, 2000

[54] CONTROLLER FOR A GAME MACHINE

[75] Inventor: Teiyu Goto, Tokyo, Japan

[73] Assignee: Sony Computer Entertainment Inc., Japan

[\*\*] Term: 14 Years

[21] Appl. No.: 29/094,948

[22] Filed: Oct. 14, 1998

[51] LOC (7) Cl. .... 21-01

[52] U.S. Cl. .... D14/413; D14/401

[58] Field of Search ..... D14/412-416, D14/399, 400, 401; D21/333, 324; 273/148 B; 463/1, 29-35, 36, 38, 46, 47; 345/156, 158, 161, 184

### [56] References Cited

#### U.S. PATENT DOCUMENTS

D. 317,021	5/1991	Shulman et al. ....	D21/48
D. 325,225	4/1992	Adhida .....	D21/48
D. 342,550	12/1993	Lin .....	D21/48
D. 345,164	3/1994	Grae .....	D14/218
D. 345,994	4/1994	Shian .....	D21/48
D. 349,527	8/1994	Date .....	D21/48
D. 352,970	11/1994	Ho .....	D21/48
D. 353,410	12/1994	Chan .....	D21/48
D. 354,993	1/1995	Morrison et al. ....	D21/13
D. 355,450	2/1995	Ho .....	D21/48
D. 356,606	3/1995	Feng .....	D21/48
D. 357,286	4/1995	Feng .....	D21/48
D. 360,436	7/1995	Chan .....	D21/48
D. 360,903	8/1995	Barr et al. ....	D21/48
D. 362,277	9/1995	Chan .....	D21/48
D. 363,320	10/1995	Barthelemy et al. ....	D21/48
D. 363,321	10/1995	Hsien .....	D21/48
D. 368,285	3/1996	Couch et al. ....	D21/48
D. 368,936	4/1996	Goto .....	D21/48
D. 375,326	11/1996	Yokoi et al. ....	D21/48
D. 376,826	12/1996	Ashida .....	D21/48
D. 380,783	7/1997	Tyler .....	D21/48

D. 382,603	8/1997	Goto .....	D21/48
D. 393,290	4/1998	Goto .....	D14/401
D. 393,885	4/1998	Goto .....	D14/401
D. 398,032	9/1998	Goto .....	D21/48
D. 405,835	2/1999	Goto .....	D14/401
D. 410,914	6/1999	Tyler et al. ....	D14/401
D. 417,664	12/1999	Goto .....	D14/401
4,870,389	9/1989	Ishiwata et al. ....	340/709
5,184,830	2/1993	Okada et al. ....	273/433
5,203,563	4/1993	Loper, III .....	273/148 B
5,207,426	5/1993	Inoue et al. ....	273/148 B
5,213,327	5/1993	Kitauue .....	463/47 X
5,498,843	3/1996	Date et al. ....	200/6 A

#### FOREIGN PATENT DOCUMENTS

1011423 5/1998 Japan .

#### OTHER PUBLICATIONS

Hong Kong Enterprise, Oct. 1992, pp. 269, 363.

Playthings, Sep. 1988, p. 48.

"The Point Network", No. 31, Yodobashi Camera (Autumn 1996).

"The Point Network", No. 41, Yodobashi Camera (Summer 1998).

Primary Examiner—Prabhakar Deshmukh

Attorney, Agent, or Firm—Rader, Fishman&Grauer

### [57] CLAIM

The ornamental design for a controller for a game machine, as shown and described.

### DESCRIPTION

FIG. 1 is a perspective view of a controller for a game machine showing my new design;

FIG. 2 is a top plan view thereof;

FIG. 3 is a left side elevational view thereof;

FIG. 4 is a front elevational view thereof;

FIG. 5 is a bottom plan view thereof;

FIG. 6 is a right side elevational view thereof; and,

FIG. 7 is a rear elevational view thereof.

1 Claim, 3 Drawing Sheets

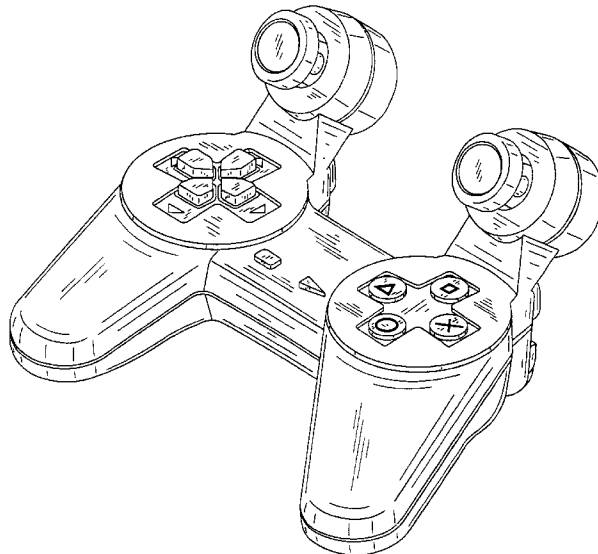


FIG. 1

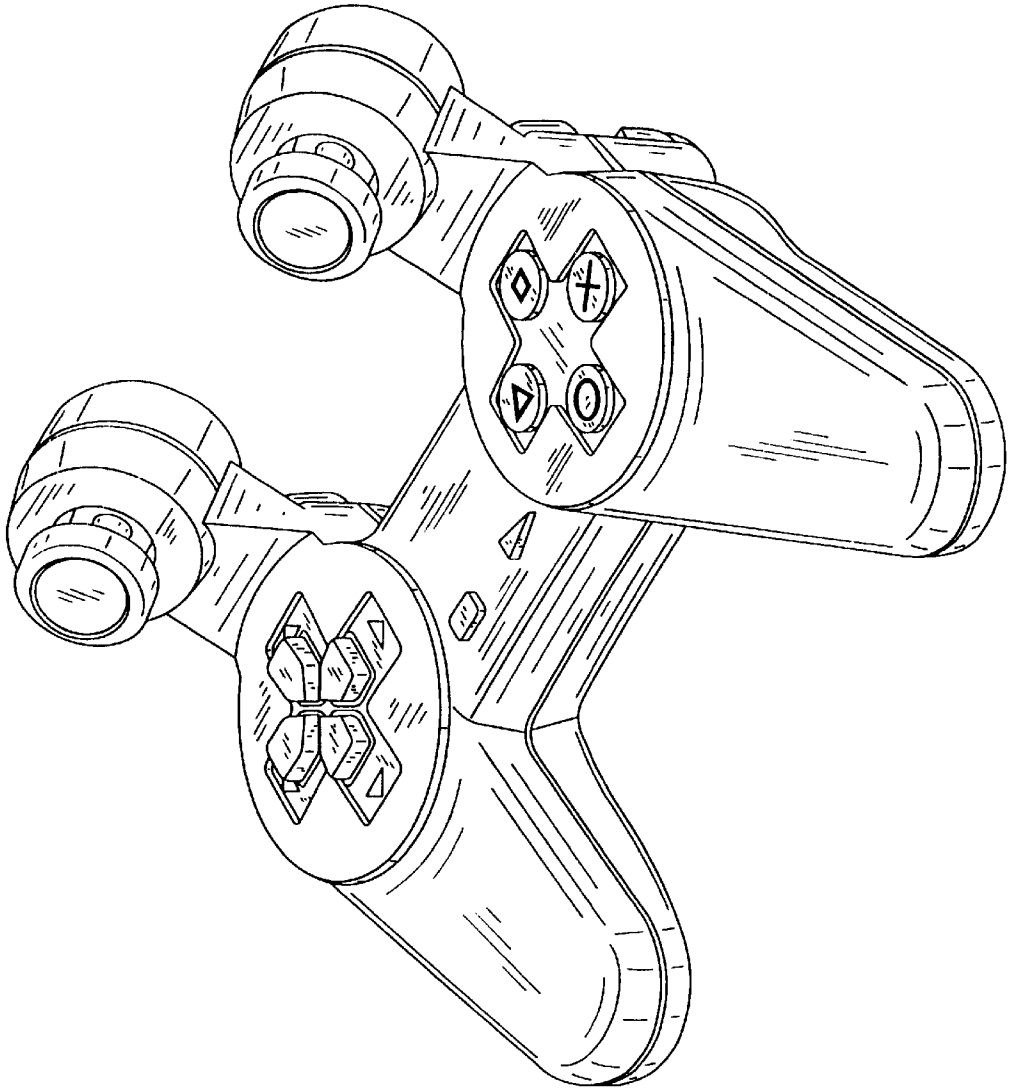


FIG. 2

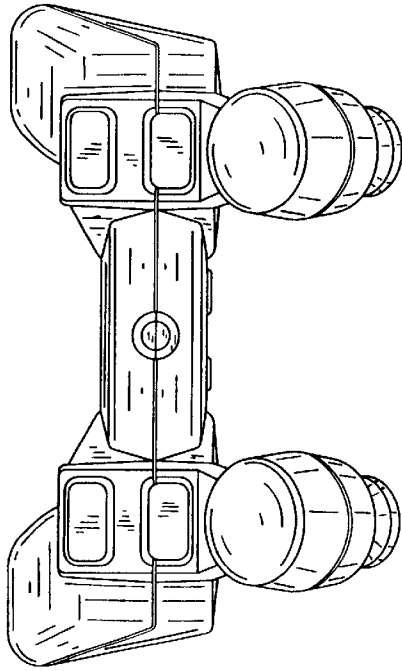


FIG. 4

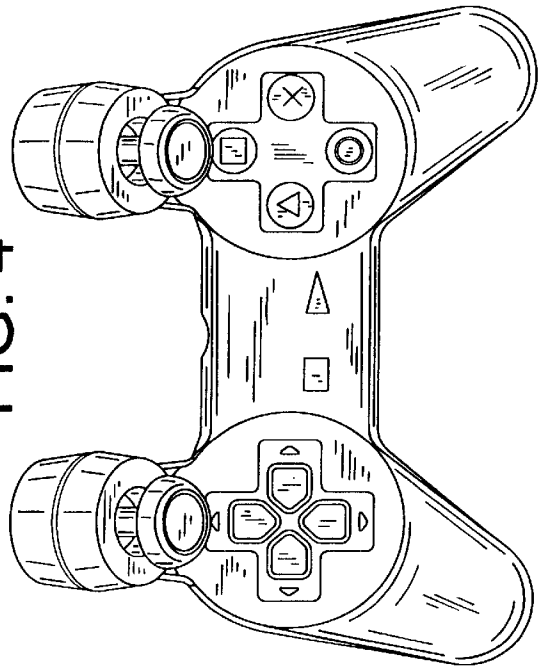


FIG. 3

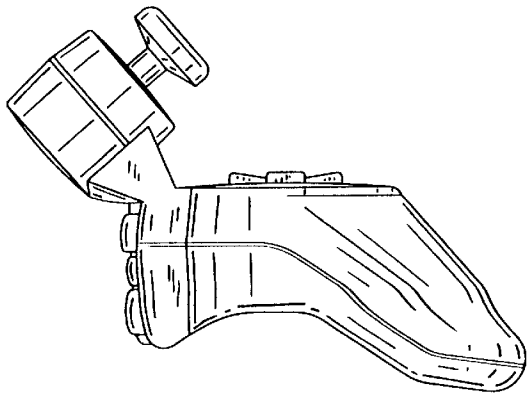


FIG. 7

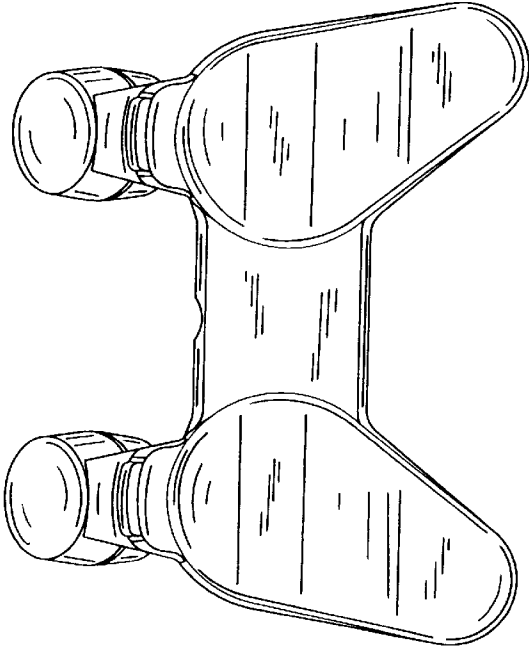


FIG. 5

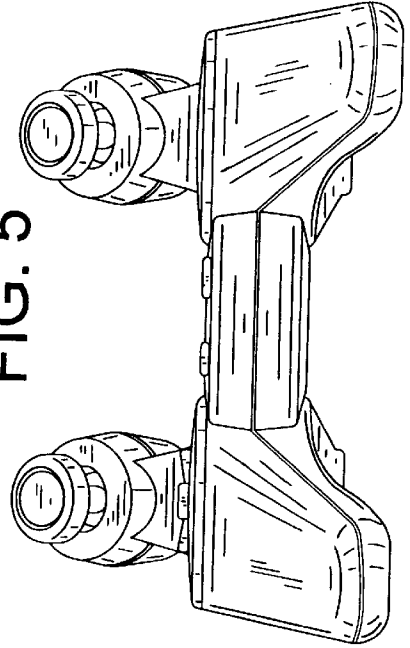


FIG. 6

