

Figure 1A

Figure 1B

GUN/GUN CONTROL MODULE/
 DEPTH TRANSDUCER
 PRESSURE TRANSDUCER
 HYDROPHONE

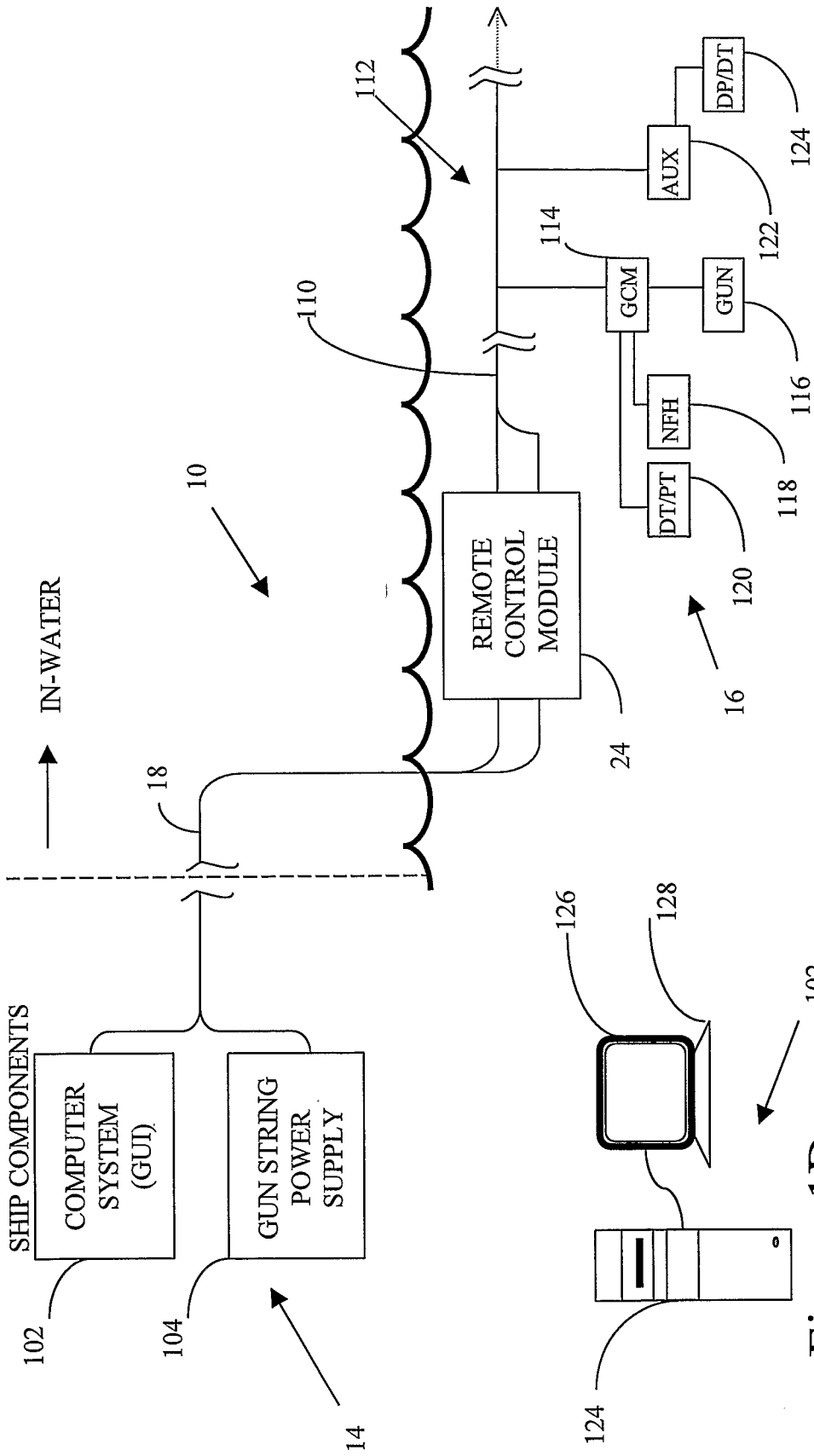


Figure 1C

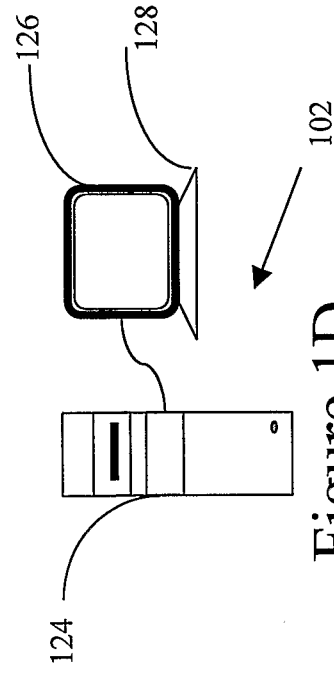


Figure 1D

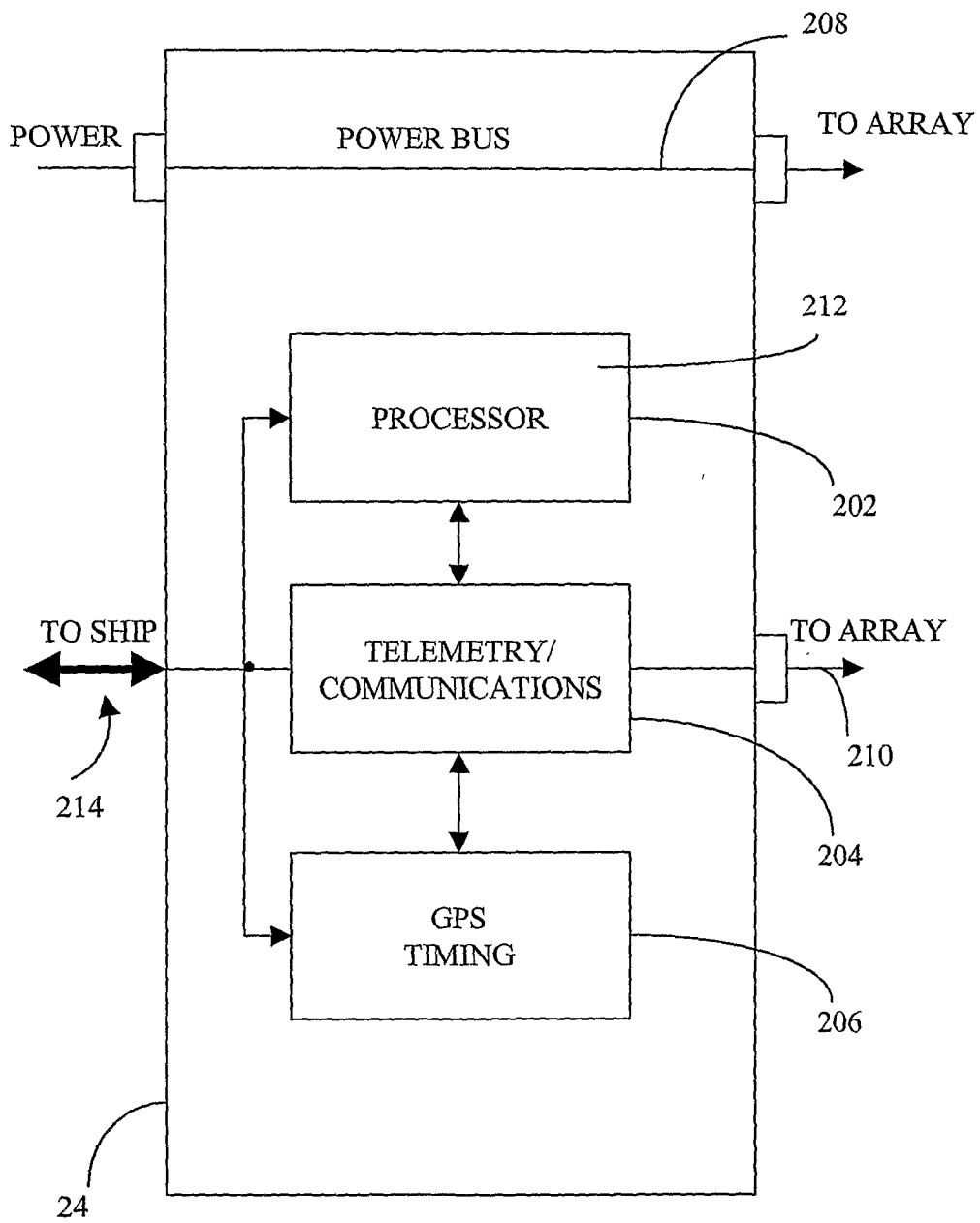


Figure 2

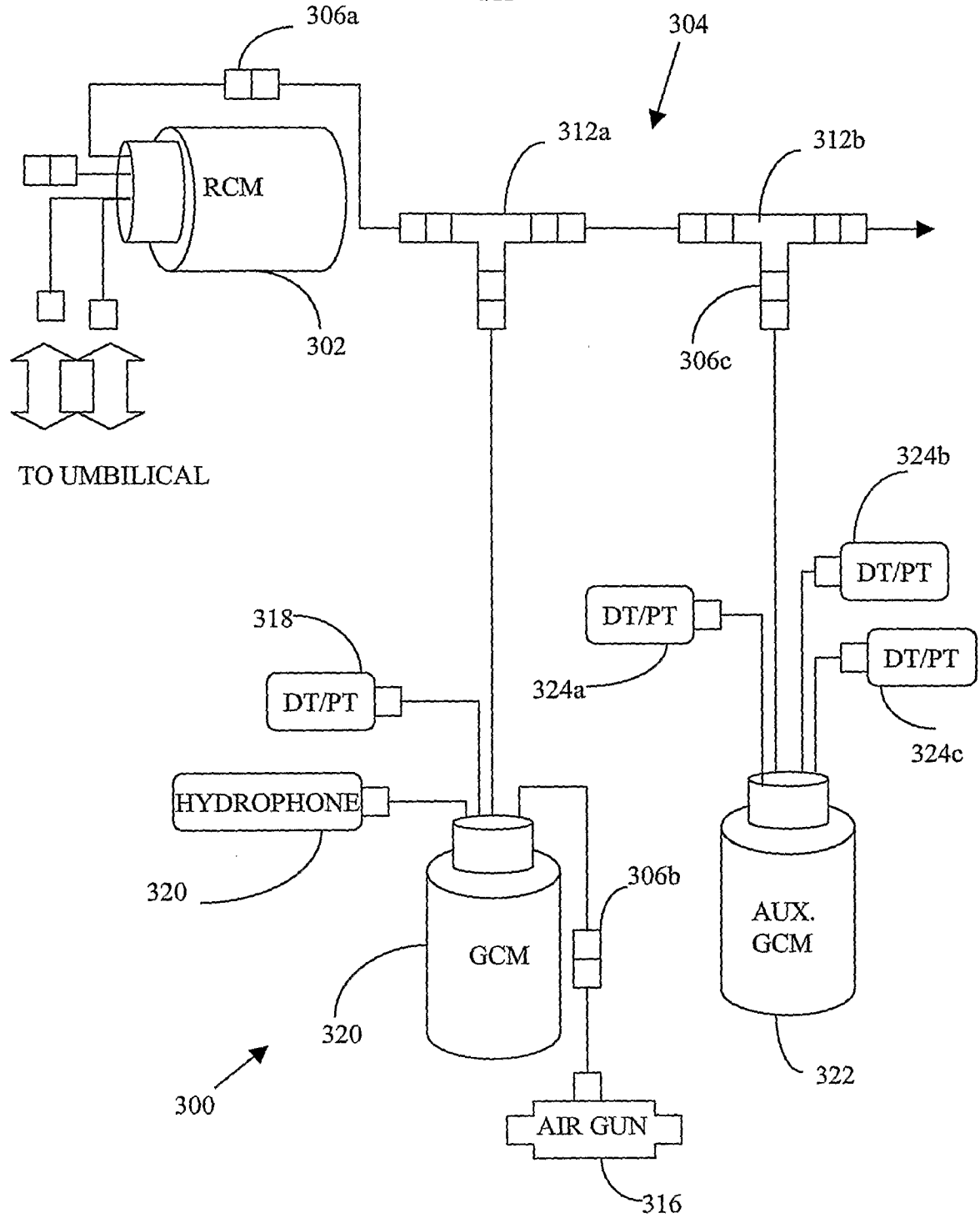


Figure 3

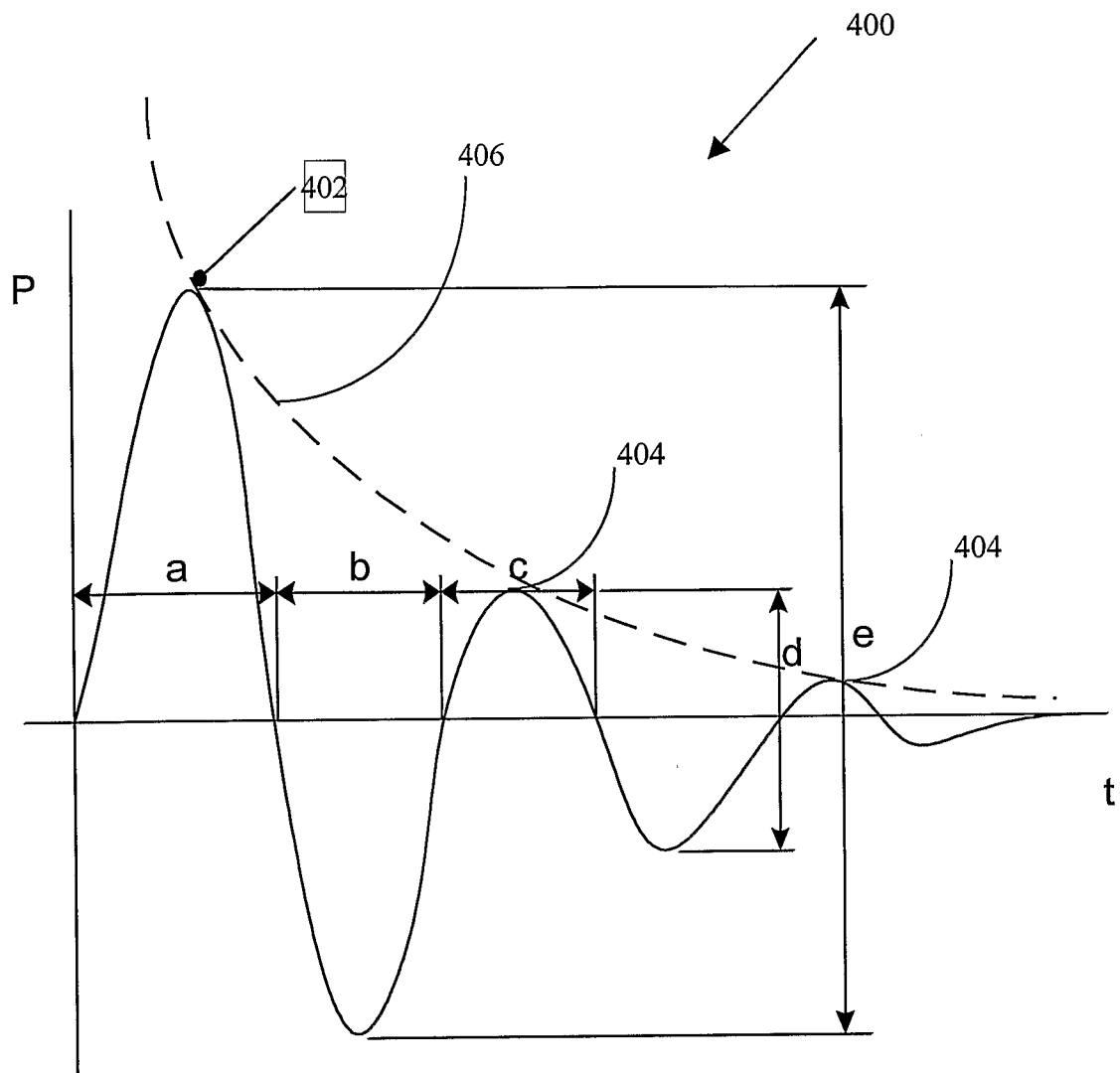


Figure 4

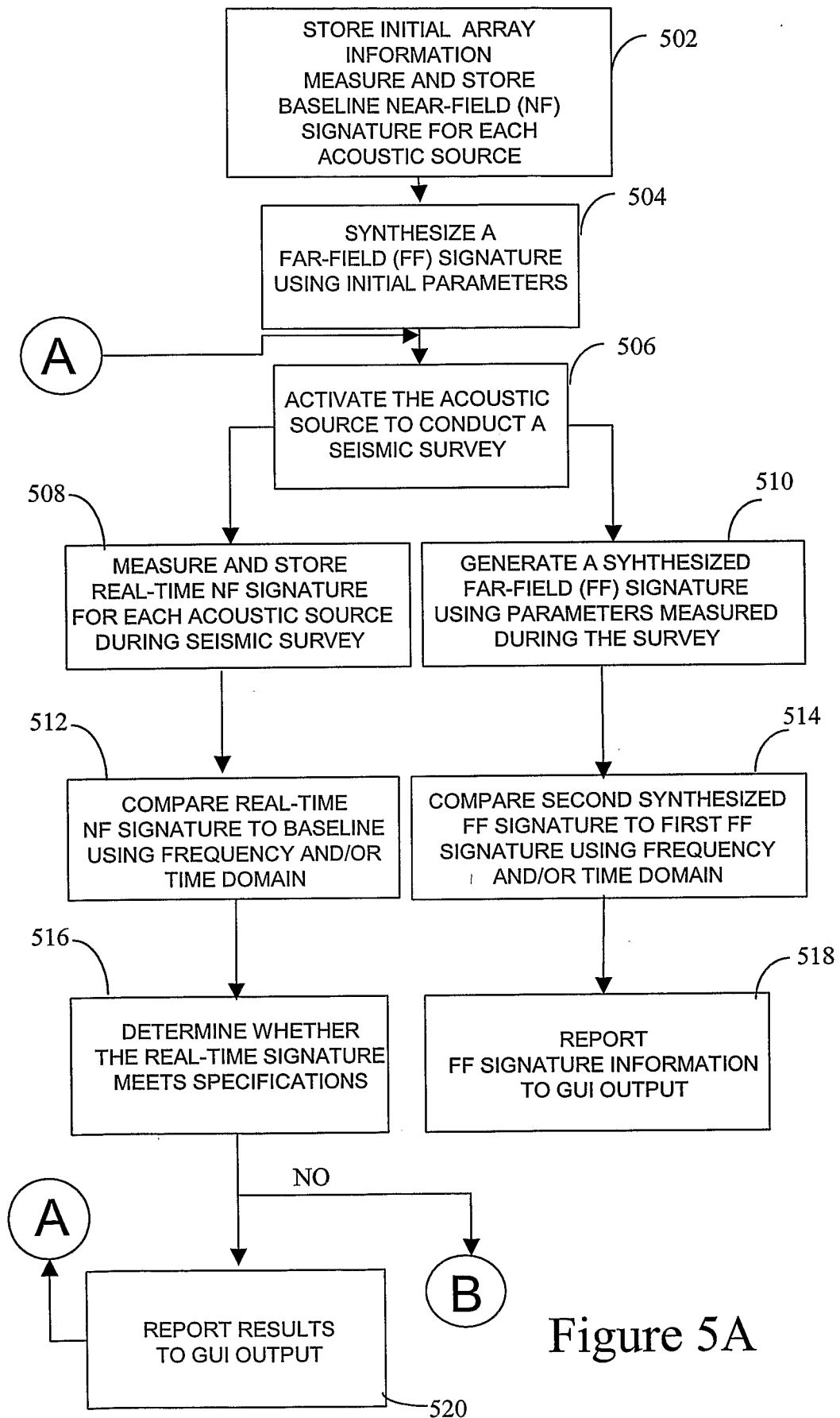


Figure 5A

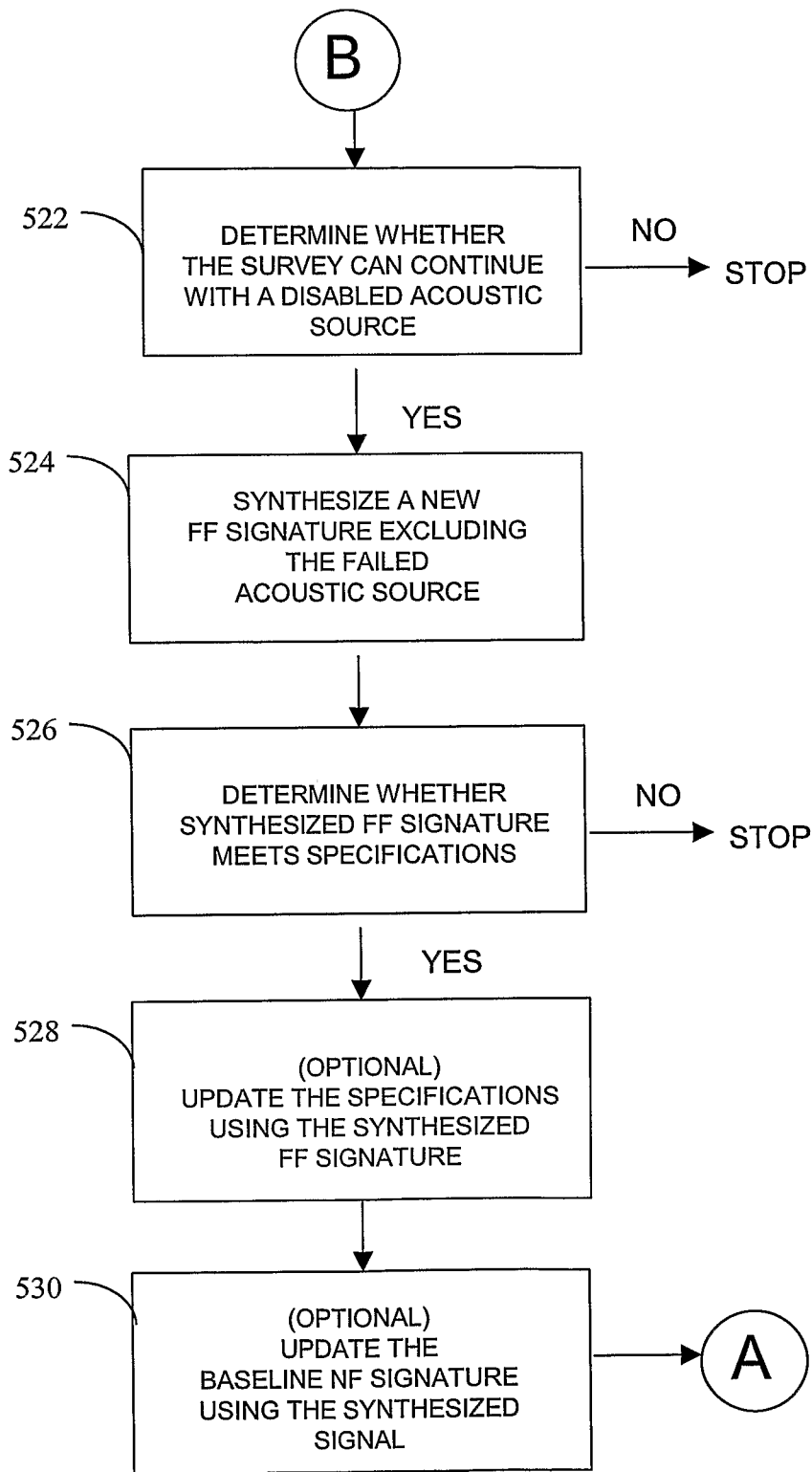


Figure 5B

SYNTHESIZED RESPONSE
FAR-FIELD SIGNATURE
TIME DOMAIN

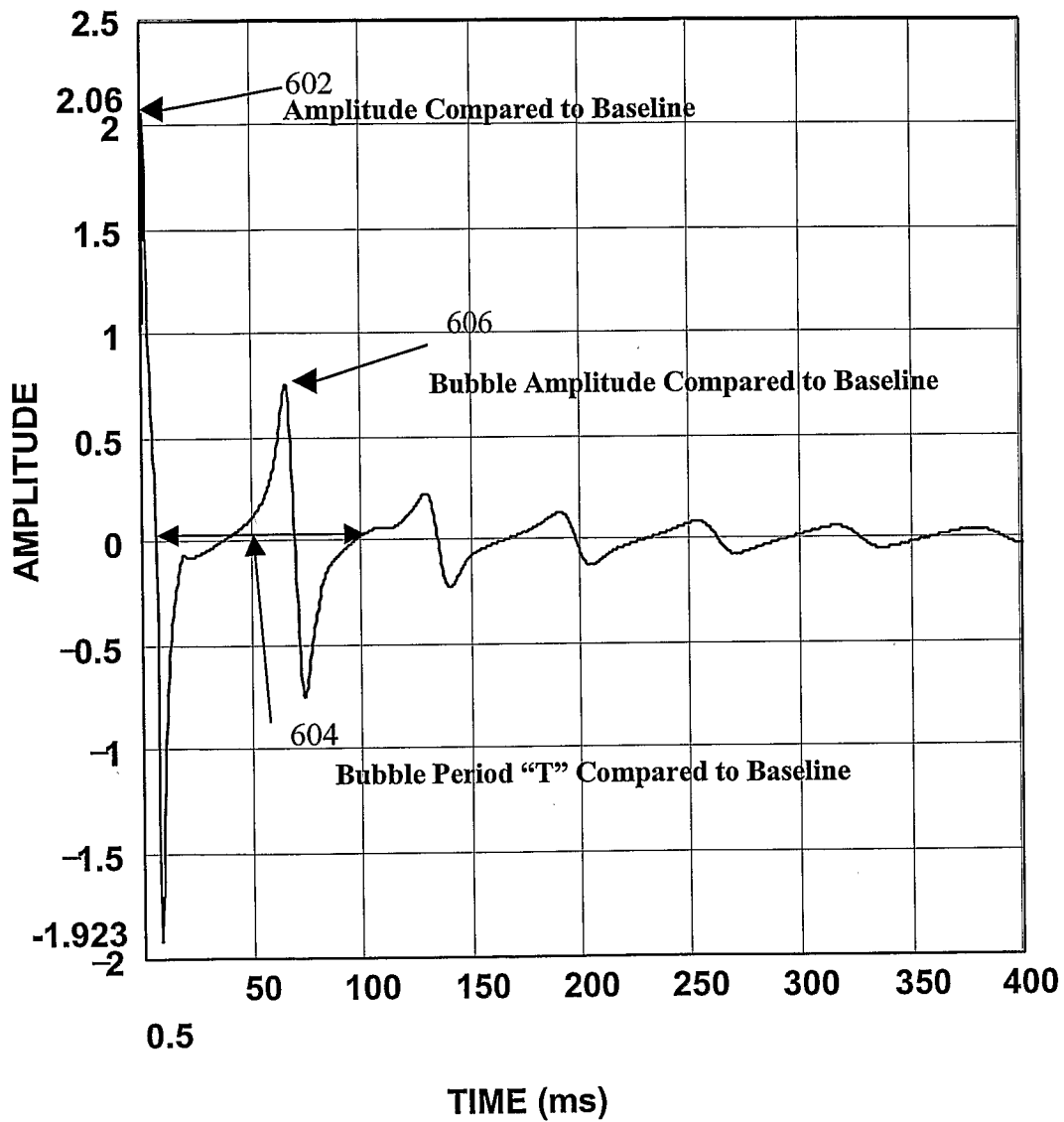


Figure 6

FAR-FIELD SIGNATURE
FREQUENCY DOMAIN

Fundamental Frequency $f = 8\text{Hz}$

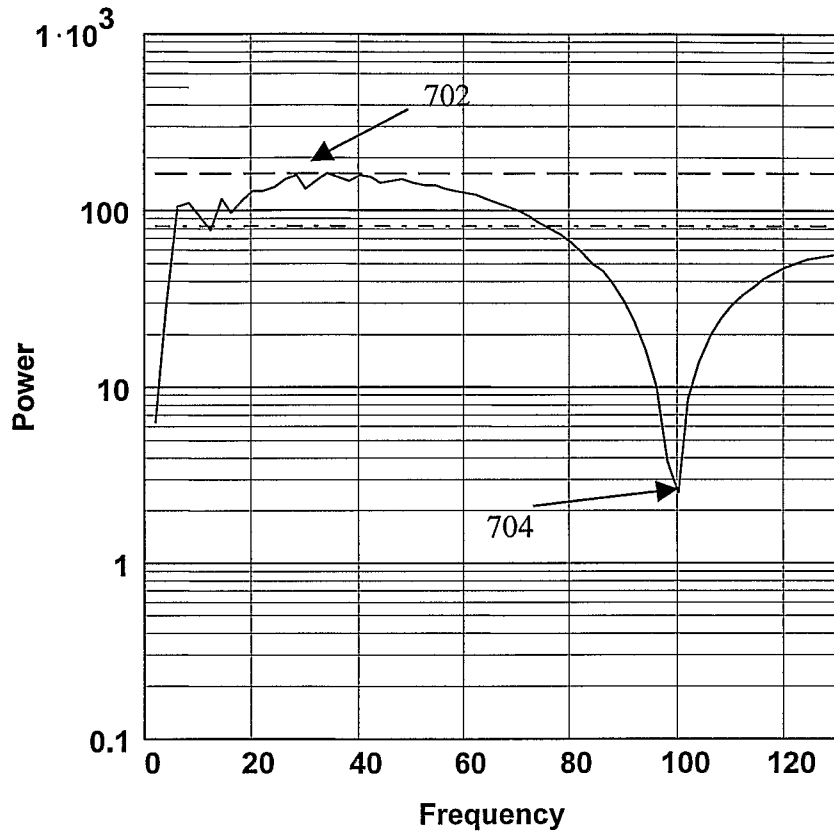


Figure 7

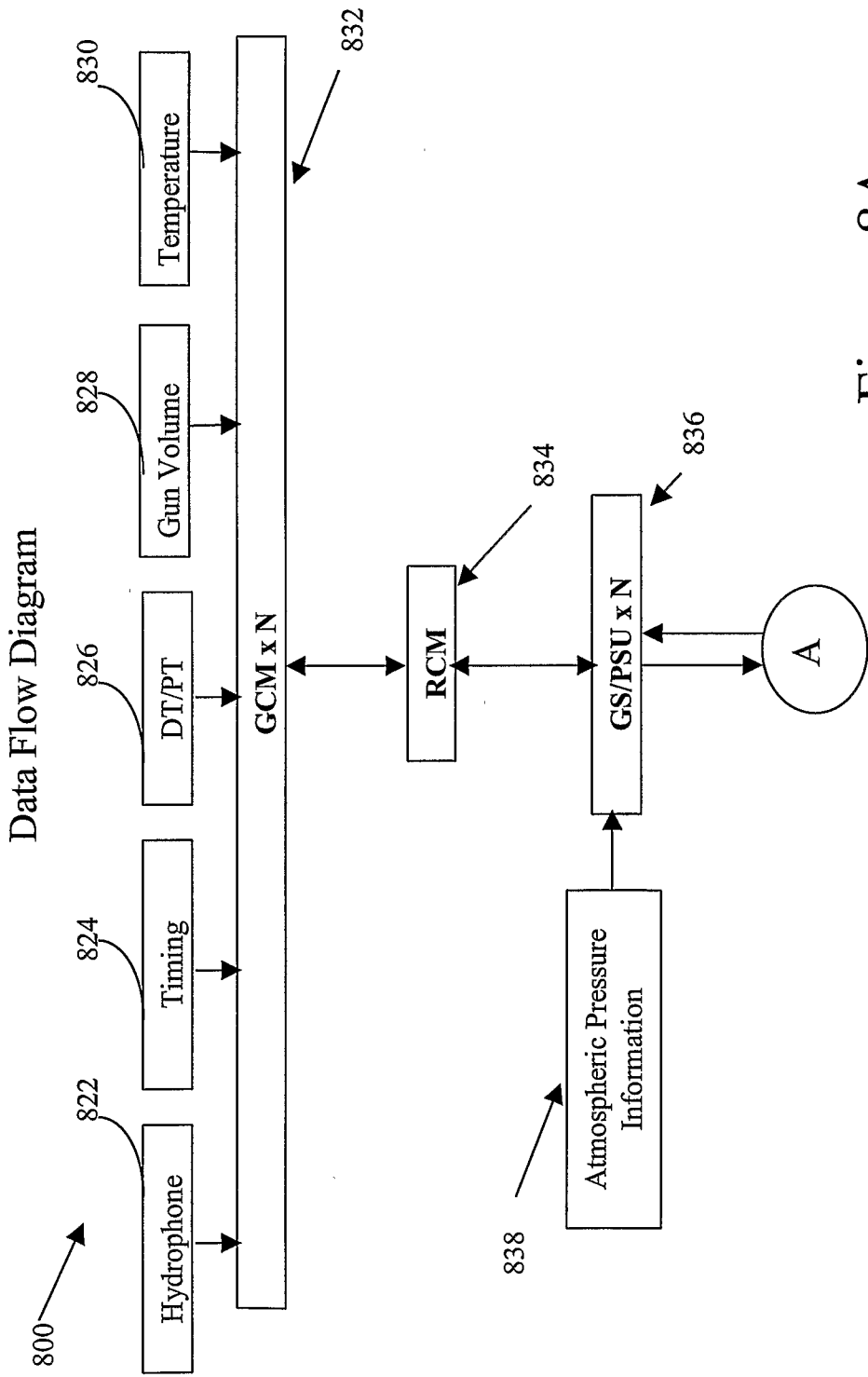


Figure 8A

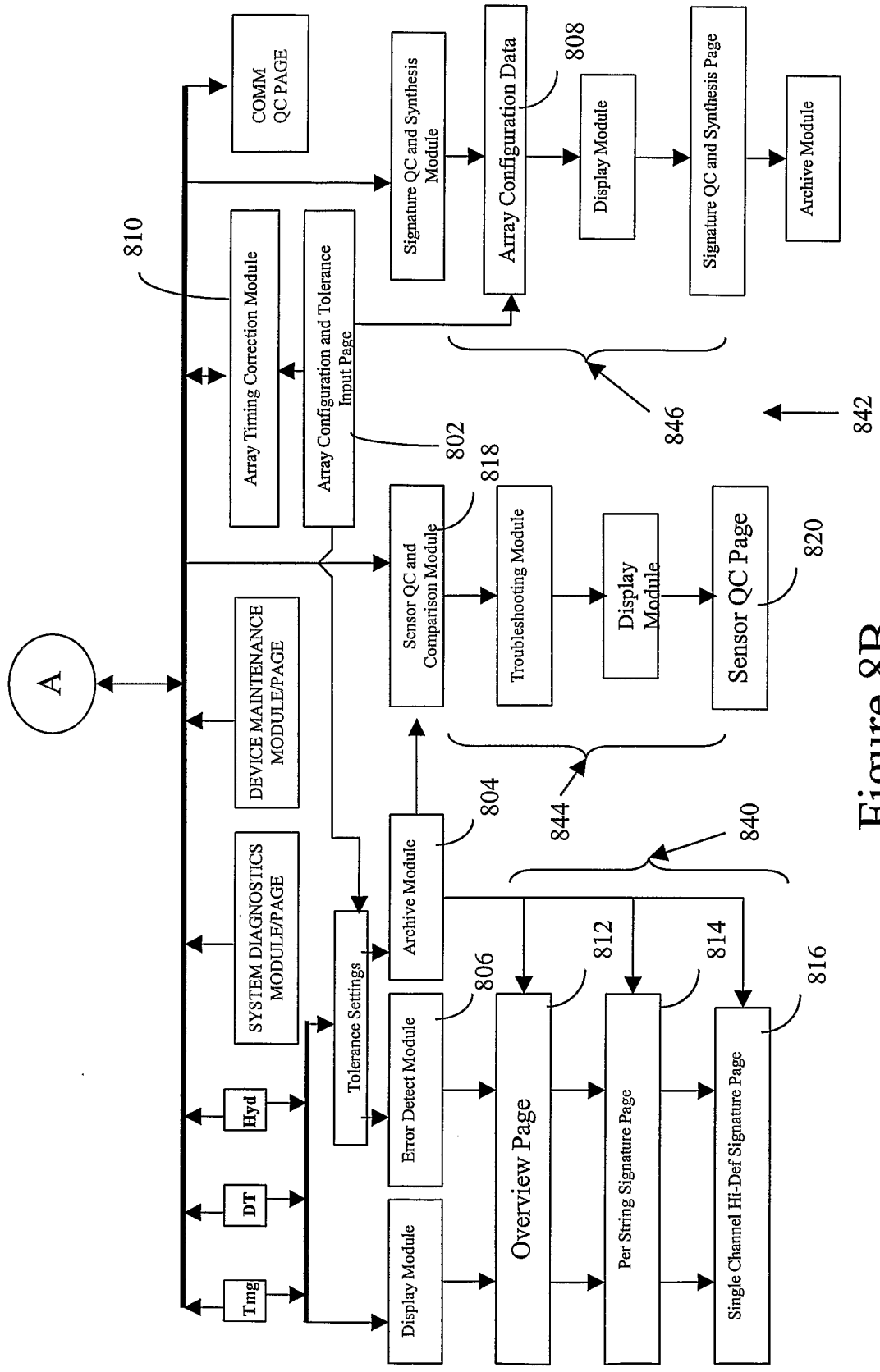


Figure 8B