



US00D476484S

(12) **United States Design Patent** (10) **Patent No.:** **US D476,484 S**
Santy et al. (45) **Date of Patent:** **** Jul. 1, 2003**

(54) **CASTOR WHEEL ASSEMBLY FOR A LUGGAGE CASE**

1,076,954 A * 10/1913 Climer 16/26
2,500,854 A * 3/1950 Mullen et al. 16/31 R
D207,100 S * 3/1967 Haydock D8/375
D327,838 S * 7/1992 Rekc D8/375
D420,945 S * 2/2000 Dobersztyn et al. D12/133
D438,382 S * 3/2001 Chang D3/321

(75) Inventors: **Dirk Santy**, Koekelare (BE); **Maxime Szyf**, Stekene (BE); **Sofie Deboes**, Tienen (BE)

* cited by examiner

(73) Assignee: **Samsonite Corporation**, Denver, CO (US)

Primary Examiner—Louis S. Zarfaz
Assistant Examiner—Monica A. Weingart
(74) *Attorney, Agent, or Firm*—Gregory W. O'Connor

(**) Term: **14 Years**

(21) Appl. No.: **29/153,485**

(57) **CLAIM**

(22) Filed: **Jan. 7, 2002**

The ornamental design for a castor wheel assembly for a luggage case, as shown and described.

(51) **LOC (7) Cl.** **03-99**

DESCRIPTION

(52) **U.S. Cl.** **D3/318**

(58) **Field of Search** D3/318, 272, 273, D3/274, 279, 282, 321, 322; D8/375; D12/133; D34/24, 26; 16/44-47, 21, 25, 26, 18 R, 31 R; 280/37, 47.315, 47.371, 655; 190/18 A, 37, 115; 301/121, 125; 248/130, 345.11

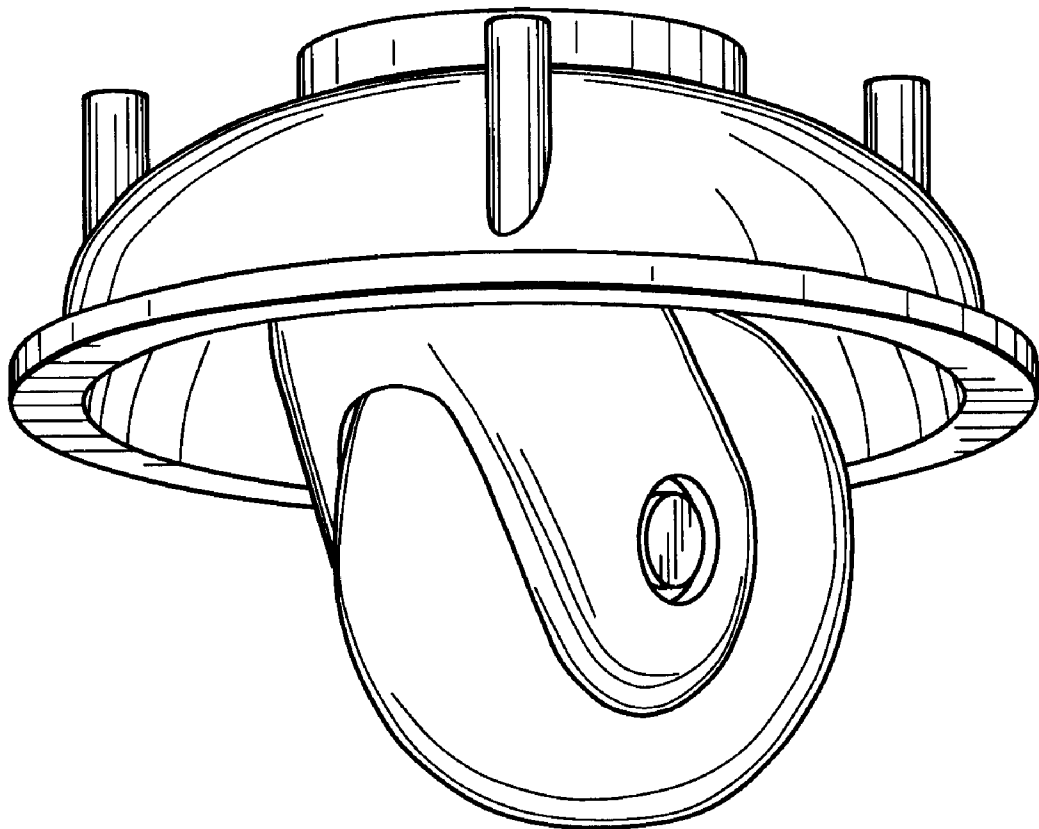
FIG. 1 is a perspective view of the castor wheel assembly for a luggage case embodying my new design.
FIG. 2 is a right side view thereof;
FIG. 3 is a left side view thereof;
FIG. 4 is a front elevational view thereof;
FIG. 5 is a rear elevational view thereof;
FIG. 6 is top view thereof; and,
FIG. 7 is bottom view thereof.

(56) **References Cited**

U.S. PATENT DOCUMENTS

843,153 A * 2/1907 Kuhsiek 190/18 A

1 Claim, 3 Drawing Sheets



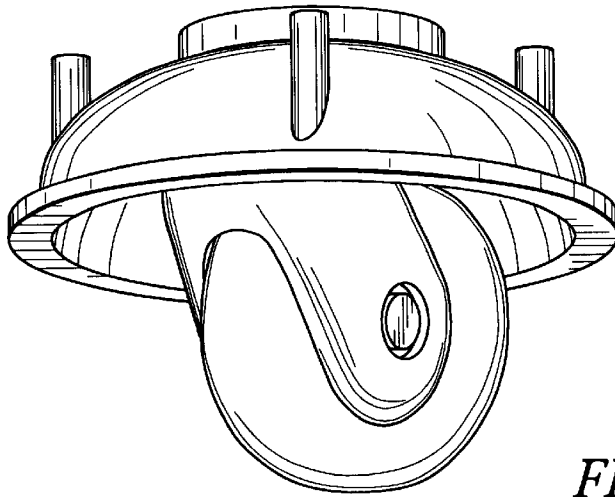


FIG. 1

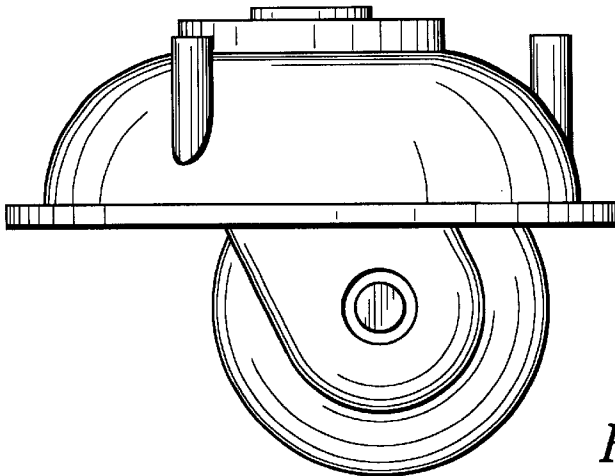


FIG. 2

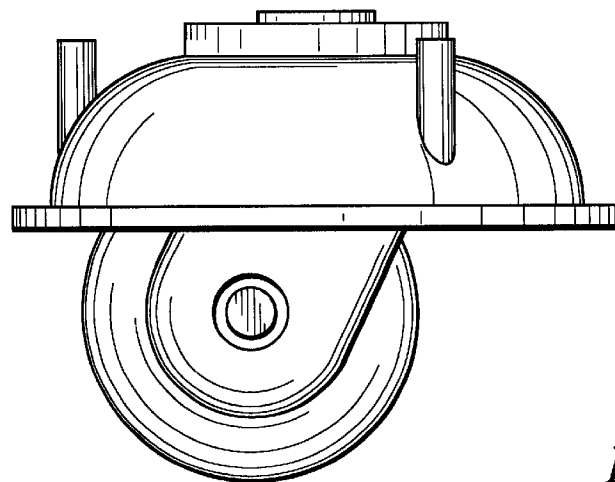


FIG. 3

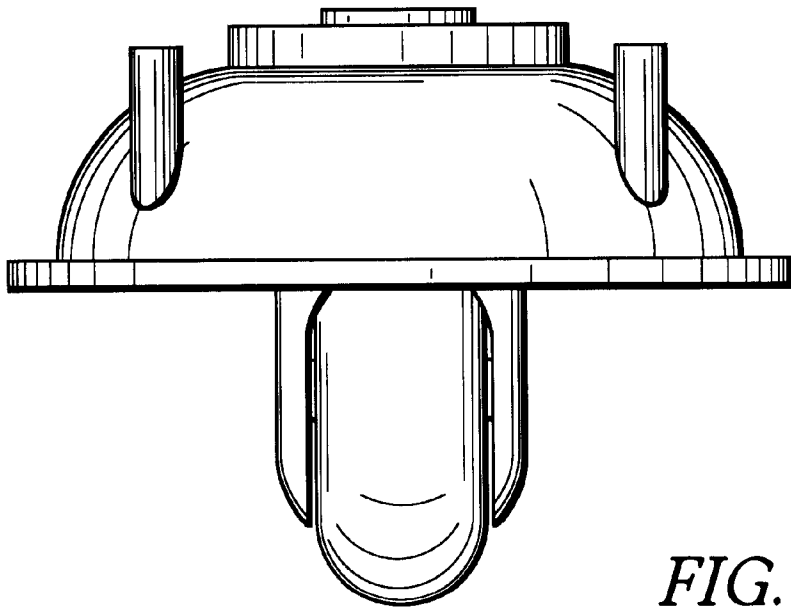


FIG. 4

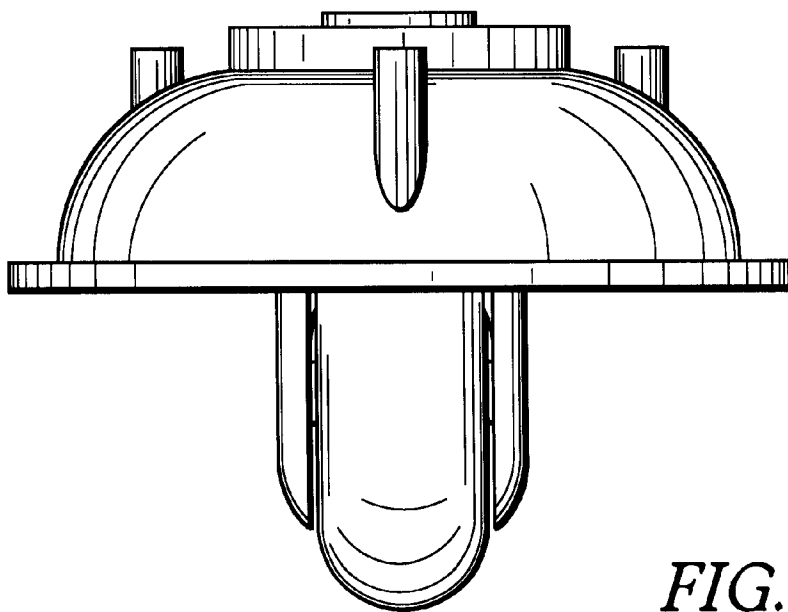


FIG. 5

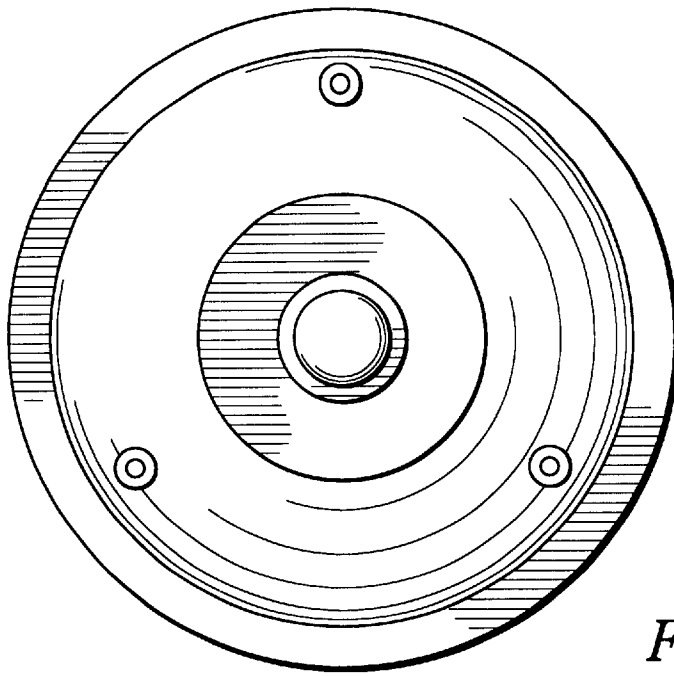


FIG. 6

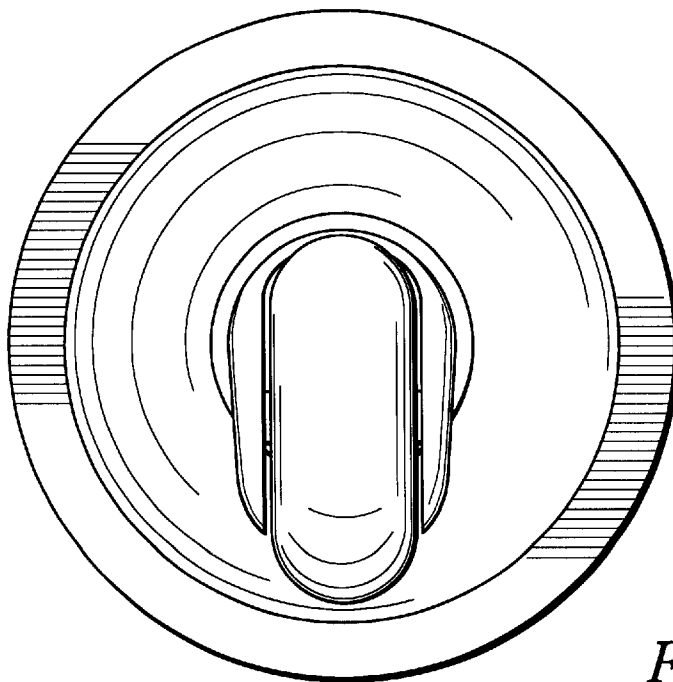


FIG. 7