



(51) International Patent Classification:

A61B 5/15 (2006.01) A61M 5/148 (2006.01)
A61M 5/145 (2006.01) A61M 5/315 (2006.01)
A61M 5/142 (2006.01)

(21) International Application Number:

PCT/US2016/028824

(22) International Filing Date:

22 April 2016 (22.04.2016)

(25) Filing Language:

English

(26) Publication Language:

English

(30) Priority Data:

62/152,511 24 April 2015 (24.04.2015) US
62/257,053 18 November 2015 (18.11.2015) US

(71) Applicant: BAYER HEALTHCARE LLC [US/US]; 1 Bayer Drive, Indianola, PA 15051 (US).

(72) Inventors: BERRY, David, H.; 277 Ping Wing Hollow Rd., Kittanning, PA 16201 (US). GIBLER, Martin, J.; 5854 Old Forest Lane, West Chester, OH 45069 (US). KRUPP, Benjamin, T.; 114 Congress Run Road, Cincin-

nati, OH 45215 (US). DELBRUGGE, G., Vincent; 218 Courtland Road, Indiana, PA 15701 (US). COWAN, Kevin, P.; 4242 Estates Court, Allison Park, PA 15101 (US).

(74) Agents: KENT, Joseph, L. et al.; 1 Bayer Drive, Indianola, PA 15051 (US).

(81) Designated States (unless otherwise indicated, for every kind of national protection available): AE, AG, AL, AM, AO, AT, AU, AZ, BA, BB, BG, BH, BN, BR, BW, BY, BZ, CA, CH, CL, CN, CO, CR, CU, CZ, DE, DK, DM, DO, DZ, EC, EE, EG, ES, FI, GB, GD, GE, GH, GM, GT, HN, HR, HU, ID, IL, IN, IR, IS, JP, KE, KG, KN, KP, KR, KZ, LA, LC, LK, LR, LS, LU, LY, MA, MD, ME, MG, MK, MN, MW, MX, MY, MZ, NA, NG, NI, NO, NZ, OM, PA, PE, PG, PH, PL, PT, QA, RO, RS, RU, RW, SA, SC, SD, SE, SG, SK, SL, SM, ST, SV, SY, TH, TJ, TM, TN, TR, TT, TZ, UA, UG, US, UZ, VC, VN, ZA, ZM, ZW.

(84) Designated States (unless otherwise indicated, for every kind of regional protection available): ARIPO (BW, GH, GM, KE, LR, LS, MW, MZ, NA, RW, SD, SL, ST, SZ, TZ, UG, ZM, ZW), Eurasian (AM, AZ, BY, KG, KZ, RU, TJ, TM), European (AL, AT, BE, BG, CH, CY, CZ, DE,

[Continued on next page]

(54) Title: SYRINGE WITH ROLLING DIAPHRAGM

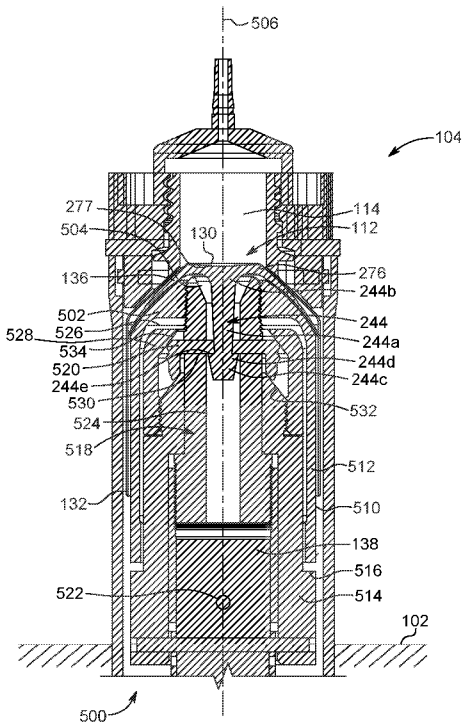


FIG. 7A

(57) Abstract: A rolling diaphragm syringe includes a proximal end having an end wall, a distal end having an open-ended discharge neck, a sidewall extending along a longitudinal axis, and a piston engagement portion protruding proximally from a central portion of the end wall and configured for engagement with a piston of a fluid injector. The piston engagement portion has a stem with a first end attached to the end wall, a second end extending proximally from the first end, and at least one protrusion that protrudes radially outward. The sidewall is flexible and rolls upon itself when acted upon by the piston such that an outer surface of the sidewall is folded in a radially inward direction as the piston is advanced from the proximal end to the distal end, and unfolded in a radially outward direction as the piston is retracted from the distal end to the proximal end.

WO 2016/172467 A1

DK, EE, ES, FI, FR, GB, GR, HR, HU, IE, IS, IT, LT, **Published:**
LU, LV, MC, MK, MT, NL, NO, PL, PT, RO, RS, SE, — *with international search report (Art. 21(3))*
SI, SK, SM, TR), OAPI (BF, BJ, CF, CG, CI, CM, GA,
GN, GQ, GW, KM, ML, MR, NE, SN, TD, TG).

SYRINGE WITH ROLLING DIAPHRAGM

CROSS-REFERENCE TO APPLICATIONS

[0001] This application claims priority to U.S. Provisional Patent Application No. 62/152,511, entitled “Syringe With Rolling Diaphragm” and filed on April 24, 2015, and U.S. Provisional Patent Application No. 62/257,053, entitled “Syringe With Rolling Diaphragm” and filed on November 18, 2015, the disclosures of which are incorporated by reference herein in their entirety.

BACKGROUND OF THE DISCLOSURE

Field of the Disclosure

[0002] The present disclosure is related to syringes for use in the medical field and, more particularly, to syringes having a flexible sidewall that rolls upon itself when acted upon by a plunger for selectively filling the syringe with a fluid and discharging the fluid from the syringe.

Description of Related Art

[0003] In many medical diagnostic and therapeutic procedures, a medical practitioner, such as a physician, injects a patient with one or more medical fluids. In recent years, a number of injector-actuated syringes and powered fluid injectors for pressurized injection of medical fluids, such as a contrast solution (often referred to simply as “contrast”), a flushing agent, such as saline, and other medical fluids, have been developed for use in procedures such as angiography, computed tomography (CT), ultrasound, magnetic resonance imaging (MRI), positron emission tomography (PET), and other imaging procedures. In general, these fluid injectors are designed to deliver a preset amount of fluid at a preset pressure and/or flow rate.

[0004] Typically, powered injectors have drive members, such as pistons, that connect to a syringe plunger within the syringe. The syringe generally includes a rigid barrel with the syringe plunger being slidably disposed within the barrel. The drive members drive the plungers in a proximal and/or distal direction relative to a longitudinal axis of the barrel to draw fluid into the syringe barrel or deliver the fluid from the syringe barrel.

[0005] It is well known that syringes used in the medical field are typically disposable and are discarded after one use. Although disposable syringes are typically made by mass production methods such as injection molding, such disposable syringes are relatively expensive due to the materials and precision involved in their manufacture and economic

costs associated with packaging and shipping. Accordingly, it remains desirable to develop improved designs of syringes to facilitate injection procedures.

SUMMARY OF THE DISCLOSURE

[0006] The present disclosure generally relates to syringe assemblies and to methods of forming syringe assemblies. The syringe assemblies may be useful in fluid delivery applications.

[0007] In some aspects, a rolling diaphragm syringe may include a proximal end having an end wall for engagement with a piston, a distal end having an open-ended discharge neck, a sidewall extending between the proximal end and the distal end along a longitudinal axis, and a piston engagement portion protruding proximally from a central portion of the outer surface of the end wall and configured for reversible engagement with a piston of a fluid injector. The piston engagement portion may have a stem with a first end attached to the end wall, a second end extending proximally from the first end, and at least one engagement member at or near the second end that protrudes radially outward or radially inward relative to an outer surface of the stem. The sidewall may be flexible and roll upon itself when acted upon by the piston such that an outer surface of the sidewall at a folding region is folded in a radially inward direction as the piston is advanced from the proximal end to the distal end. The outer surface of the sidewall may unroll as the folding region is unfolded in a radially outward direction as the piston is retracted from the distal end to the proximal end.

[0008] In other aspects, at least a portion of the end wall may have non-uniform thickness. The thickness of the end wall may continuously increase in thickness in a radially inward direction. The end wall may have a radiused folding edge such that at least a portion of the end wall continuously increases in thickness in a radially inward direction from the radiused folding edge. The discharge neck may have a connection member for connecting to a cap. The at least one engagement member may have a distal surface configured for engaging one or more engagement pins or surfaces of the piston during movement of the piston in the proximal direction. The at least one engagement member may be monolithically formed with the second end of the stem. Alternatively, the at least one engagement member may be attached to the second end of the stem, for example by adhesive, laser welding, or a mechanical or screw type mechanism. Alternatively, the rolling diaphragm syringe may be initially in a compressed, rolled state which is unrolled during a filling process by engaging the rolling diaphragm syringe with a piston and drawing the end wall in a proximal direction.

[0009] In other aspects, a syringe for a fluid delivery system may include a pressure jacket having an open distal end, an open proximal end, and a sidewall with a throughbore extending between the distal end and the proximal end. The syringe may further include a rolling diaphragm configured to be received within the throughbore of the pressure jacket. The rolling diaphragm may have a proximal end having an end wall for engagement with a piston, a distal end having an open-ended discharge neck, and a sidewall extending between the proximal end and the distal end along a longitudinal axis. The sidewall of the rolling diaphragm may define an interior volume for receiving a medical fluid therein. The rolling diaphragm further may have a piston engagement portion protruding proximally from a central portion of the end wall and configured for engagement with a piston of a fluid injector. The piston engagement portion may have a stem with a first end attached to the end wall, a second end extending proximally from the first end, and at least one engagement member at or near the second end that protrudes radially outward or radially inward relative to an outer surface of the stem. The syringe may also have a cap configured for engaging at least one of the distal end of the pressure jacket and the distal end of the rolling diaphragm to connect to the open-ended discharge neck of the rolling diaphragm. The sidewall of the rolling diaphragm may be flexible and roll upon itself when acted upon by the piston such that an outer surface of the sidewall at a folding region is folded in a radially inward direction as the piston is advanced from the proximal end to the distal end. The outer surface of the sidewall may unroll as the folding region is unfolded in a radially outward direction as the piston is retracted from the distal end to the proximal end. The at least one engagement member may have a distal surface configured for engaging one or more engagement pins or surfaces of the piston during movement of the piston in the proximal direction. The at least one engagement member may be monolithically formed with the second end of the stem. Alternatively, the at least one engagement member may be attached to the second end of the stem, for example by adhesive, laser welding, or a mechanical or screw type mechanism. An interior of the rolling diaphragm syringe may be pre-filled with the medical fluid. Alternatively, the rolling diaphragm syringe may be initially in a compressed, rolled state which is unrolled during a filling process by engaging the rolling diaphragm syringe with a piston and drawing the end wall in a proximal direction.

[0010] In other aspects, the proximal end of the pressure jacket may have at least one locking lip or lug protruding radially outward from an outer surface of the sidewall of the pressure jacket for releasably locking the pressure jacket with a fluid injector. The cap may

have at least one projection or groove that interacts with a corresponding groove or projection on the distal end of the pressure jacket for releasably securing the cap to the pressure jacket when the rolling diaphragm syringe is inserted into the distal end of the pressure jacket. The cap may have a nozzle or other fluid discharge port and an annular sidewall surrounding the nozzle or fluid discharge port configured for releasable attachment to a tube set, for example by a luer fit, for delivering the fluid to the interior of the rolling diaphragm syringe during a filling operation and delivering the fluid from the rolling diaphragm syringe to a patient during an injection procedure. The annular sidewall may have one or more gripping elements protruding radially outward from the outer surface of the annular sidewall for gripping an inner surface of the pressure jacket to secure the cap to the pressure jacket. The cap may be non-removably secured to the discharge neck of the rolling diaphragm syringe. The cap may have at least one engagement element for removably connecting the cap with the distal end of the pressure jacket. The cap may be welded to the discharge neck such that the cap is monolithically formed with the discharge neck. Alternatively, the cap may be adhesively bonded to the discharge neck. The protrusion of the piston engagement portion may have a distal surface configured for engaging one or more engagement pins or surfaces of the piston during movement of the piston in the proximal direction. At least a portion of the end wall may have non-uniform thickness. The thickness of the end wall may continuously increase in a radially inward direction. The cap may have a nozzle in fluid communication with the interior volume of the rolling diaphragm syringe, for example through the discharge neck. The nozzle may have a connector for connecting to a fluid path set. The connector may be a luer connector.

[0011] In other aspects, a rolling diaphragm syringe for receiving a medical fluid therein may have a proximal end having an end wall for engagement with a piston, a distal end having an open-ended discharge neck, and a sidewall extending between the proximal end and the distal end along a longitudinal axis. The sidewall of the rolling diaphragm syringe may define an interior volume for receiving the medical fluid therein. The rolling diaphragm syringe further may have a piston engagement portion protruding proximally from a central portion of the end wall and configured for engagement with a piston of a fluid injector. The piston engagement portion may have a stem with a first end attached to the end wall, a second end extending proximally from the first end, and at least one engagement member at the second end that protrudes radially outward or radially inward relative to an outer surface of the stem. The rolling diaphragm syringe further may have a cap secured to the discharge

neck of the rolling diaphragm syringe. The cap may have a nozzle in fluid communication with the interior volume of the rolling diaphragm syringe. The sidewall of the rolling diaphragm syringe may be flexible and roll upon itself when acted upon by the piston such that an outer surface of the sidewall at a folding region is folded in a radially inward direction as the piston is advanced from the proximal end to the distal end. The outer surface of the sidewall may unroll as the folding region is unfolded in a radially outward direction as the piston is retracted from the proximal end to the distal end.

[0012] Various other aspects of the present invention are recited in one or more of the following clauses:

[0013] Clause 1: A rolling diaphragm syringe for receiving a medical fluid therein, the rolling diaphragm syringe comprising:

a proximal end having an end wall for engagement with a piston;

a distal end having an open-ended discharge neck;

a sidewall extending between the proximal end and the distal end along a longitudinal axis; and

a piston engagement portion protruding proximally from a central portion of the end wall and configured for engagement with a piston of a fluid injector, the piston engagement portion having a stem with a first end attached to the end wall, a second end extending proximally from the first end, and at least one engagement member at the second end that protrudes radially outward or radially inward relative to an outer surface of the stem,

wherein the sidewall is flexible and rolls upon itself when acted upon by the piston such that an outer surface of the sidewall is folded in a radially inward direction as the piston is advanced from the proximal end to the distal end.

[0014] Clause 2: The rolling diaphragm syringe of clause 1, wherein at least a portion of the end wall has non-uniform thickness.

[0015] Clause 3: The rolling diaphragm syringe of clause 1 or clause 2, wherein the outer surface of the sidewall is unfolded in a radially outward direction as the piston is retracted from the distal end to the proximal end.

[0016] Clause 4: The rolling diaphragm syringe of any of clauses 1-3, wherein the end wall has a radiused folding edge and wherein at least a portion of the end wall continuously increases in thickness in a radially inward direction from the radiused folding edge.

[0017] Clause 5: The rolling diaphragm syringe of any of clauses 1-4, wherein the discharge neck has a connection member for connecting to a cap.

[0018] Clause 6: The rolling diaphragm syringe of any of clauses 1-5, wherein the protrusion has a distal surface configured for engaging one or more engagement pins of the piston during movement of the piston in the proximal direction.

[0019] Clause 7: The rolling diaphragm syringe of any of clauses 1-6, wherein the protrusion is monolithically formed with the second end of the stem.

[0020] Clause 8: The rolling diaphragm syringe of any of clauses 1-7, wherein the rolling diaphragm is initially in a compressed, rolled state and is configured to be unrolled during a filling process as the piston retracts the end wall in a proximal direction.

[0021] Clause 9: A syringe assembly for a fluid delivery system, the syringe assembly comprising:

- a pressure jacket having an open distal end, an open proximal end, and a sidewall with a throughbore extending between the distal end and the proximal end;

- a rolling diaphragm syringe configured to be received within the throughbore of the pressure jacket, the rolling diaphragm syringe comprising:

- a proximal end having an end wall for engagement with a piston;

- a distal end having an open-ended discharge neck;

- a sidewall extending between the proximal end and the distal end along a longitudinal axis, the sidewall of the rolling diaphragm syringe defining an interior volume for receiving a medical fluid therein; and

- a piston engagement portion protruding proximally from a central portion of the end wall and configured for engagement with a piston of a fluid injector, the piston engagement portion having a stem with a first end attached to the end wall, a second end extending proximally from the first end, and at least one engagement member at the second end that protrudes radially outward or radially inward relative to an outer surface of the stem; and

- a cap configured for engaging at least one of the distal end of the pressure jacket and the distal end of the rolling diaphragm syringe to enclose the open-ended discharge neck of the rolling diaphragm syringe,

- wherein the sidewall of the rolling diaphragm syringe is flexible and rolls upon itself when acted upon by the piston such that an outer surface of the sidewall is folded in a radially inward direction as the piston is advanced from the proximal end to the distal end.

[0022] Clause 10: The syringe assembly of clause 9, wherein the proximal end of the pressure jacket has at least one locking lip or lug protruding radially outward from an outer surface of the sidewall of the pressure jacket for releasably locking the pressure jacket with a fluid injector.

[0023] Clause 11: The syringe assembly of clause 9 or clause 10, wherein the cap has at least one projection or groove that interacts with a corresponding groove or projection on the distal end of the pressure jacket for releasably securing the cap to the pressure jacket.

[0024] Clause 12: The syringe assembly of any of clauses 9-11, wherein the cap has a nozzle and an annular sidewall surrounding the nozzle, the sidewall having one or more gripping elements protruding radially outward from the outer surface of the annular sidewall.

[0025] Clause 13: The syringe assembly of any of clauses 9-12, wherein the cap is non-removably secured to the discharge neck of the rolling diaphragm syringe and wherein the cap has an engagement element for removably connecting the cap with the distal end of the pressure jacket.

[0026] Clause 14: The syringe assembly of any of clauses 9-13, wherein the outer surface of the sidewall is unfolded in a radially outward direction as the piston is retracted from the distal end to the proximal end.

[0027] Clause 15: The syringe assembly of any of clauses 9-14, wherein the protrusion of the piston engagement portion has a distal surface configured for engaging one or more engagement pins of the piston during movement of the piston in the proximal direction.

[0028] Clause 16: The syringe assembly of any of clauses 9-15, wherein at least a portion of the end wall has non-uniform thickness.

[0029] Clause 17: The syringe assembly of clause 16, wherein the thickness of the end wall continuously increases in a radially inward direction.

[0030] Clause 18: The syringe assembly of any of clauses 9-17, wherein the cap has a nozzle in fluid communication with the interior volume of the rolling diaphragm syringe, the nozzle having a connector for connecting to a fluid path set.

[0031] Clause 19: The syringe assembly of clause 18, wherein the connector is a luer connector.

[0032] Clause 20: A rolling diaphragm syringe for receiving a medical fluid therein, the rolling diaphragm syringe comprising:

- a proximal end having an end wall for engagement with a piston;
- a distal end having an open-ended discharge neck;

a sidewall extending between the proximal end and the distal end along a longitudinal axis, the sidewall of the rolling diaphragm syringe defining an interior volume for receiving the medical fluid therein;

a piston engagement portion protruding proximally from a central portion of the end wall and configured for engagement with a piston of a fluid injector, the piston engagement portion having a stem with a first end attached to the end wall, a second end extending proximally from the first end, and at least one engagement member at the second end that protrudes radially outward or radially inward relative to an outer surface of the stem; and

a cap secured to the discharge neck of the rolling diaphragm syringe, the cap having a nozzle in fluid communication with the interior volume of the rolling diaphragm syringe,

wherein the sidewall is flexible and rolls upon itself when acted upon by the piston such that an outer surface of the sidewall at a folding region is folded in a radially inward direction as the piston is advanced from the proximal end to the distal end and wherein the outer surface of the sidewall unrolls as the folding region is unfolded in a radially outward direction as the piston is retracted from the distal end to the proximal end.

[0033] Further details and advantages of the various aspects described in detail herein will become clear upon reviewing the following detailed description of the various aspects in conjunction with the accompanying drawing figures.

BRIEF DESCRIPTION OF THE DRAWINGS

[0034] **FIG. 1** is a perspective view of a fluid injection system according to one aspect of the present disclosure.

[0035] **FIG. 2** is a perspective, cross-sectional view of a portion of the fluid injection system shown in **FIG. 1** with two rolling diaphragm syringes and pressure jackets connected to a fluid injector.

[0036] **FIG. 3** is a side view of a rolling diaphragm syringe in accordance with one aspect of the present disclosure.

[0037] **FIG. 4A** is a side view a rolling diaphragm syringe in accordance with another aspect of the present disclosure.

[0038] **FIG. 4B** is a cross-sectional side view the rolling diaphragm syringe shown in **FIG. 4A** taken along line A-A.

[0039] FIG. 5A is a perspective view of a rolling diaphragm syringe and a pressure jacket in accordance with another aspect of the present disclosure.

[0040] FIG. 5B is a cross-sectional side view of the rolling diaphragm syringe and the pressure jacket shown in FIG. 5A.

[0041] FIG. 5C is a perspective view of a rolling diaphragm syringe and a cap for use with the pressure jacket shown in FIG. 4A.

[0042] FIG. 6 is a bottom perspective view of the cap shown in FIG. 5C.

[0043] FIG. 7A is a cross-sectional view of a rolling diaphragm syringe, a pressure jacket, and an engagement mechanism for connecting a piston of a fluid injector to the rolling diaphragm syringe, with the engagement mechanism shown in a first state.

[0044] FIG. 7B is a cross-sectional view of the rolling diaphragm syringe, the pressure jacket, and the engagement mechanism of FIG. 7A, with the engagement mechanism shown in a second state.

[0045] FIG. 8 is a side cross-sectional view of a rolling diaphragm syringe and a plunger in accordance with another aspect of the present disclosure.

[0046] FIG. 9 is a side cross-sectional view of an adapter for a pressure jacket in accordance with another aspect of the present disclosure.

[0047] FIG. 10A is a perspective view of rolling characteristics of a rolling diaphragm syringe having a first diameter.

[0048] FIG. 10B is a perspective view of rolling characteristics of a rolling diaphragm syringe having a second diameter different from the first diameter of the rolling diaphragm syringe shown in FIG. 10A.

[0049] FIG. 11A is a perspective view of rolling characteristics of a rolling diaphragm syringe in accordance with another aspect.

[0050] FIG. 11B is a perspective view of rolling characteristics of a rolling diaphragm syringe in accordance with another aspect.

[0051] FIG. 12A is a perspective view of rolling characteristics of a rolling diaphragm syringe in accordance with another aspect.

[0052] FIG. 12B is a perspective view of rolling characteristics of a rolling diaphragm syringe in accordance with another aspect.

DETAILED DESCRIPTION OF THE INVENTION

[0053] The illustrations generally show preferred and non-limiting aspects of the systems and methods of the present disclosure. While the description presents various aspects of the

devices, it should not be interpreted in any way as limiting the disclosure. Furthermore, modifications, concepts, and applications of the disclosure's aspects are to be interpreted by those skilled in the art as being encompassed, but not limited to, the illustrations and descriptions herein.

[0054] The following description is provided to enable those skilled in the art to make and use the described aspects contemplated for carrying out the disclosure. Various modifications, equivalents, variations, and alternatives, however, will remain readily apparent to those skilled in the art. Any and all such modifications, variations, equivalents, and alternatives are intended to fall within the spirit and scope of the present disclosure.

[0055] For purposes of the description hereinafter, the terms "upper", "lower", "right", "left", "vertical", "horizontal", "top", "bottom", "lateral", "longitudinal", and derivatives thereof shall relate to the disclosure as it is oriented in the drawing figures. When used in relation to a syringe, a pressure jacket, and/or a rolling diaphragm syringe, the term "proximal" refers to a portion of a syringe, a pressure jacket, and/or a rolling diaphragm syringe nearest to an injector when a syringe, a pressure jacket, and/or a rolling diaphragm syringe is oriented for connecting to an injector. The term "distal" refers to a portion of a syringe, a pressure jacket, and/or a rolling diaphragm syringe farthest away from an injector when a syringe, a pressure jacket, and/or a rolling diaphragm syringe is oriented for connecting to an injector. The term "radial" refers to a direction in a cross-sectional plane normal to a longitudinal axis of a syringe, a pressure jacket, and/or a rolling diaphragm syringe extending between proximal and distal ends. The term "circumferential" refers to a direction around an inner or outer surface of a sidewall of a syringe, a pressure jacket, and/or a rolling diaphragm syringe. The term "axial" refers to a direction along a longitudinal axis of a syringe, a pressure jacket, and/or a rolling diaphragm syringe extending between the proximal and distal ends. The term "flexible", when used in connection with a rolling diaphragm syringe, means that at least a portion of a rolling diaphragm syringe, such as a sidewall of a rolling diaphragm syringe, is capable of bending or being bent to change a direction in which it extends. The terms "roll over", "rolling over", and "rolls upon itself" refer to an ability of a first portion of a rolling diaphragm syringe, such as a proximal portion of a sidewall of a rolling diaphragm syringe, to bend approximately 180° relative to a second portion of a rolling diaphragm syringe, such as a distal portion of a sidewall of a rolling diaphragm syringe, when urged by a piston of a fluid injector. It is to be understood, however, that the disclosure may assume alternative variations and step sequences, except

where expressly specified to the contrary. It is also to be understood that the specific devices and processes illustrated in the attached drawings, and described in the following specification, are simply exemplary aspects of the disclosure. Hence, specific dimensions and other physical characteristics related to the aspects (*i.e.*, aspects, variants, variations) disclosed herein are not to be considered as limiting.

[0056] Referring to the drawings in which like reference characters refer to like parts throughout the several views thereof, the present disclosure is generally directed to syringe configured as a rolling diaphragm syringe.

[0057] With reference to **FIG. 1**, a fluid delivery system **100** may have a fluid injector **102**, such as an automated or powered fluid injector, adapted to interface with and actuate at least one rolling diaphragm syringe **112** and pressure jacket **110**, as described herein, each of which may be independently filled with a medical fluid, such as contrast media, saline solution, or any desired medical fluid. The injector **102** may be used during a medical procedure to inject the medical fluid into the body of a patient by driving a plunger **144** into the at least one rolling diaphragm syringe **112** with at least one piston **138**. The injector **102** may be a multi-rolling diaphragm syringe injector, wherein two or more rolling diaphragm syringes **112** with corresponding pressure jackets **110** may be oriented in a side-by-side or other relationship and include corresponding plungers **144** separately actuated by respective pistons associated with the injector **102**. In aspects with two rolling diaphragm syringe/pressure jackets arranged in a side-by-side relationship and filled with two different medical fluids, the injector **102** may be configured to deliver fluid from one or both of the rolling diaphragm syringes **112**.

[0058] The injector **102** may be enclosed within a housing **126** formed from a suitable structural material, such as plastic or metal. The housing **126** may be of various shapes and sizes depending on the desired application. For example, the injector **102** may be a free-standing structure configured to be placed on the floor or may be a smaller design for placement on a suitable table or support frame. The injector **102** includes at least one port for interfacing the at least one rolling diaphragm syringe **112** and pressure jacket **110** to respective pistons.

[0059] At least one fluid path set **108** may be fluidly connected with a nozzle **130** of the at least one syringe assembly **104** comprising a rolling diaphragm syringe **112** and pressure jacket **110** for delivering medical fluid from the at least one rolling diaphragm syringe **112** through tubing connected to a catheter, needle, or other fluid delivery connection (not shown)

inserted into a patient at a vascular access site. Fluid flow into and from the at least one syringe assembly **104** may be regulated by a fluid control module (not shown). The fluid control module may operate various pistons, valves, and/or flow regulating structures to regulate the delivery of the medical fluid, such as saline solution and contrast, to the patient based on user selected injection parameters, such as injection flow rate, duration, total injection volume, and/or ratio of contrast media and saline. One example of a suitable front-loading fluid injector that may be used or modified for use with the herein-described system including at least one rolling diaphragm syringe **112** and at least one interface for loading and releasable retaining of the at least one rolling diaphragm syringe **112** and the pressure jacket **110** with the fluid injector **102** described herein with reference to **FIG. 1** is disclosed in United States Patent No. 5,383,858 to Reilly et al. which is incorporated by reference in its entirety. Another example of relevant multi-fluid delivery systems that may be used or modified for use with the present system are found in United States Patent No. 7,553,294 to Lazzaro et al.; United States Patent No. 7,666,169 to Cowan et al.; International Patent Application No. PCT/US2012/037491 (published as WO 2012/155035); United States Patent Application Publication No. 2014/0027009 to Riley et al.; and International Patent Application No. PCT/US2015/027582 to Berry et al., all of which are assigned to the assignee of the present application, and the disclosures of which are incorporated herein by reference. Other examples may include new fluid injector systems designed to include various aspects of the rolling diaphragm syringe **112** described herein.

[0060] **FIG. 2** is a perspective, cross-sectional view of a portion of the fluid injector **102** shown in **FIG. 1**. With reference to **FIG. 2**, the syringe assembly 104 generally includes a cylindrical body or pressure jacket **110** and a rolling diaphragm syringe **112** that interfaces with the pressure jacket **110**. As will be described hereinafter, the rolling diaphragm syringe **112** defines an interior volume **114** for receiving a fluid therein and/or dispensing a fluid therefrom. The rolling diaphragm syringe **112** is configured for being inserted into at least a portion of the pressure jacket **110** and the pressure jacket **110** is configured for engagement with fluid injector **102**. The syringe assembly 104 is adapted for use in CT, MRI, PET, and like procedures and operable at typical operating pressures of, for example, about 10-400 psi, such as 200-400 psi, depending on the viscosity of the fluid and the desired rate of injection. In some aspects, the rolling diaphragm syringe **112** may be a bladder syringe described in U.S. Patent Application Publication No. 2013/0211248, entitled "Bladder Syringe Fluid Delivery System", or a syringe described in U.S. Patent No. 9,180,252, entitled "Bellows

Syringe Fluid Delivery System”, the disclosures of which are incorporated herein by reference in their entirety.

[0061] The cylindrical body of pressure jacket **110** may be a unitary, typically cylindrical body having a distal end **116** and a proximal end **118** with a throughbore **T** extending between the distal end **116** and the proximal end **118**. The pressure jacket **110** is typically a reusable component, while the rolling diaphragm syringe **112** is typically a single-use component. In another aspect, the rolling diaphragm syringe **112** may be reusable such that the rolling diaphragm syringe **112** is refillable with fluid. For example, the rolling diaphragm syringe **112** can be pre-filled with fluid, or can be initially empty, and can be filled and/or refilled one or more times. When the rolling diaphragm syringe **112** is initially empty, it may be initially in the compressed state where it may be filled with the fluid by proximal retraction of the proximal end wall; or alternatively, the rolling diaphragm syringe **112** may be in the uncompressed state and may be filled with the fluid, for example through a discharge neck **140** or through a nozzle or outlet port in a distal end cap. In another aspect, both the pressure jacket **110** and the rolling diaphragm syringe **112** may be single-use components that are disposed of after each patient use. In this aspect, both the pressure jacket **110** and the rolling diaphragm syringe **112** are disposed of after use and a new pressure jacket **110** and rolling diaphragm syringe **112** are loaded into the fluid injector **102** for subsequent use. The pressure jacket **110** has a sidewall **120** that defines a throughbore **T** between the distal and proximal ends **116**, **118**. An inner surface of the throughbore **T** may be smooth, textured, or a combination thereof. The proximal end **118** is adapted to interface with the fluid injector **102** and includes one or more mounting structures **122** positioned to engage a locking mechanism at the front end or face plate **124** of the housing **126** of the fluid injector **102** to properly seat the pressure jacket **110** relative to the fluid injector **102**. As an example, two opposed bayonet attachment flanges may be provided on the proximal end **118** for interfacing with the fluid injector face plate **124** to secure the pressure jacket **110** to the fluid injector **102**. In some aspects, the pressure jacket **110** may have a connection member to releasably secure the pressure jacket to the fluid injector **102** in the form of a connection member described in U.S. Patent No. 9,173,995, entitled “Self-Orienting Syringe and Syringe Interface”, in U.S. Patent No. 9,199,033, entitled “Self-Orienting Syringe and Syringe Interface”, International Application No. PCT/US2015/057751, filed October 28, 2015, or International Application No. PCT/US2015/057747, filed October 28, 2015, the disclosures of which are incorporated herein by reference in their entirety. In another aspect, an adapter

may be provided for connecting the pressure jacket **110** and rolling diaphragm syringe **112** to the fluid injector **102**.

[0062] The distal end **116** of the pressure jacket **110** may include a substantially frusto-conical portion or be configured to connect with a substantially frusto-conical cap portion, each of which may terminate in an outlet port **128**. The pressure jacket **110** may be made of any suitable medical grade material, such as but not limited to a medical grade metal, medical grade composite material, or medical grade plastic material, desirably a clear plastic material, such as, but not limited to, polycarbonate, acrylic, or polyester. In some aspects, the pressure jacket **110** may be releasably secured to the fluid injector **102**, for example but not limited to, by a retractable pin that extends through an opening of the pressure jacket **110** to prevent rotation of the pressure jacket **110** when it has been loaded onto the fluid injector **102**, for example when attaching or detaching a cap portion to the distal end of the pressure jacket. In other aspects, the pressure jacket **110** may have one or more legs that engage the housing of the fluid injector **102** to prevent rotation of the pressure jacket **110** when it had been loaded onto the fluid injector **102**. In further aspects, a sliding collar may be provided around an outer circumference of the pressure jacket **110**. The sliding collar desirably engages an expandable ring to expand the ring against a corresponding locking feature of the fluid injector **102** to lock the pressure jacket **110** with the fluid injector **102**.

[0063] With reference to **FIG. 3**, and with continuing reference to **FIG. 2**, the rolling diaphragm syringe **112** generally includes a hollow body that includes a forward or distal end **130**, a rearward or proximal end **132**, and a flexible sidewall **134** extending therebetween. The proximal end **132** defines a closed end wall **136**. The closed end wall **136** may be shaped to interface directly with the piston **138** of the fluid injection, which also acts as a plunger **144**. For example, the closed end wall **136** may define a receiving end pocket **R** for interfacing directly with a similarly-shaped piston **138**. In particular aspects, the piston **138** may be shaped to substantially match the shape of the closed end wall **136** or, alternatively, pressure from the piston **138** as it moved distally may conform the end wall **136** to substantially match the shape of the piston **138**. The closed end wall **136** may alternatively include an attached rigid base element for engaging with the piston **138** in a like manner, as described herein. In one aspect, the proximal end **132** and/or the distal end **130** of the rolling diaphragm syringe **112** may be more rigid relative to the sidewall **134**. The sidewall **134** may have a smooth, substantially uniform structure, or it may have one or more ribs provided thereon to facilitate the rollover during an injection procedure. In some aspects, the sidewall

134 and/or the end wall **136** may have a textured surface, or a combination of a smooth surface and a textured surface. One or more indicia (not shown) may be formed on the sidewall **134**. In another aspect, the sidewall **134** may have a non-uniform thickness along its longitudinal length to facilitate the rolling over of the sidewall **134**. For example, the sidewall **134** at or near the proximal end **132** may be thinner than the sidewall **134** at or near the distal end **130** to facilitate rolling of the sidewall **134** from the proximal end **132** toward the distal end **130**. The thicker sidewall **134** at or near the distal end **130** may function as the pressure jacket **110** and may not roll over. In specific aspects, the sidewall **134** at or near the distal end **130** may be substantially rigid.

[0064] The rearward or proximal portion of the sidewall **134** connects to the closed end wall **136**, and a forward or distal portion of the sidewall **134** defines a discharge neck **140** opposite the closed end wall **136**. The closed end wall **136** may have a non-uniform thickness, for example in a radial direction extending from a central longitudinal axis of the rolling diaphragm syringe **112**. In certain aspects, at least a portion of the end wall **136** may be thicker near the center and thinner near the connection with the sidewall **134**. In other aspects, the discharge neck **140** is adapted to be received in the interior portion of the distal end **116** of the pressure jacket **110** such that the discharge neck **140** is aligned with the outlet port **128** of the pressure jacket **110** or cap **390**. The distal end **130** of the rolling diaphragm syringe **112** may be secured permanently within the interior of the pressure jacket **110**, adhesively secured therein, or be removably secured therein such as by a friction fit connection or other suitable mechanical connection, such as by securing at the distal end of the pressure jacket **110**. The distal end **130** may have a frusto-conical shape that gradually narrows from the sidewall **134** to the discharge neck **140**. In certain aspects, the discharge neck **140** may terminate in a discharge port **142** that may have, according to one non-limiting aspect, a fracturable seal (discussed herein) for sterility purposes, such as piercable foil or an elastomeric seal.

[0065] The sidewall **134** of the rolling diaphragm syringe **112** defines a soft, pliable or flexible, yet self-supporting body that is configured to roll upon itself, as a “rolling diaphragm”, under the action of the piston **138** and/or plunger **144**. In particular, as shown in **FIG. 2**, the sidewall **134** of the rolling diaphragm syringe **112** is configured to roll such that its outer surface is folded and inverted in a radially inward direction as the piston **138** is moved in a distal direction and unroll and unfold in the opposite manner in a radially outward direction as the piston **138**, for example a piston releasably attached to the proximal end of

the end wall **136**, is retracted in a proximal direction. With reference to **FIG. 3**, the closed end wall **136** may have a concave shape to facilitate the initiation of the inversion or rolling of the sidewall **134** and/or to provide a receiving pocket to receive a distal end of piston **138**.

[0066] The rolling diaphragm syringe **112** may be made of any suitable medical-grade plastic or polymeric material, desirably a clear or substantially translucent plastic material, such as, but not limited to, polypropylene random copolymer, polypropylene impact copolymer, polypropylene homopolymer, polypropylene, polyethylene terephthalate, POM, ABS, HPDE, nylon, cyclic olefin copolymer, multilayer polypropylene, polycarbonate, ethylene vinyl acetate, polyethylene, and the like. The material of the rolling diaphragm syringe **112** is desirably selected to meet the required tensile and planar stress requirements, water vapor transmission, and chemical/biological compatibility. In some aspects, the rolling diaphragm syringe **112** may have at least one electro-active polymer layer that expands or contracts in response to an application of an electrical voltage. The electro-active polymer layer may be activated to expand or contract the sidewall **134** of the rolling diaphragm syringe **112** to disengage or engage the piston **138**. In some aspects, the electro-active polymer layer may be made from a NAFION™ or FLEMION™ materials. In various aspects, the clear plastic material may withstand sterilization procedures, such as exposure to ethylene oxide or electromagnetic radiation sterilization procedures.

[0067] The rolling diaphragm syringe **112** according to various aspects herein may be made by a blow-fill-cap (BFC) technique, also referred to in the relevant field of endeavor as a blow-mold-seal (BFS) technique, wherein the rolling diaphragm syringe **112** is blow-molded, optionally filled with the desired medical fluid, such as saline or contrast media, and aseptically sealed by sealing the discharge port **142** with an integrally formed/molded rupture-ready seal, as will be described hereinafter. Alternatively, the rolling diaphragm syringe **112** may be compressed into a compressed state and packaged in a sterilizable packing material for shipping, with optional sealing of the syringe to prevent contamination. The BFC/BFS techniques permit the rolling diaphragm syringe **112** to be formed and optionally filled, and sealed typically in one machine or apparatus. These steps may be accomplished under sterility maintained conditions, limiting the possibility of introducing contaminants in the formed, filled, and sealed rolling diaphragm syringe **112**. The entire assembly may be autoclaved or otherwise treated for sterilization, such as by irradiation. The rupture-ready seal is formed as part of the molding process at the conclusion of the filling of the rolling diaphragm syringe **112**. A sterility-enhanced preformed and prefilled rolling

diaphragm syringe **112** results from the BFC/BFS process. The rupture-ready seal may be designed for external removal or puncture by a user, or may be designed to reliably burst when a preset internal pressure is reached in the rolling diaphragm syringe **112** as the piston **138** moves distally or forward in the rolling diaphragm syringe **112**. In another aspect, the rolling diaphragm syringe **112** may be ruptured by a piercing element provided on the pressure jacket **110**. In another aspect, the rolling diaphragm syringe **112** may be encased in a protective cover (not shown) to increase its rigidity and prevent contamination. The protective cover may or may not be removed from the rolling diaphragm syringe **112** prior to installation on the injector **102**. The rolling diaphragm syringe **112** may be formed to have a variety of shapes. For example, the rolling diaphragm syringe **112** may be cylindrical, conical, spherical, ellipsoidal, egg-shaped, etc. Furthermore, the rolling diaphragm syringe **112** may have different width to length ratios. For example, the rolling diaphragm syringe **112** may be formed to have a diameter that is substantially smaller or larger compared to its longitudinal length. One of ordinary skill in the art will understand that the injector **102** may be desirably programmed to control the movement of the piston **138** in order to deliver a substantially constant and predictable flow rate of fluid from the rolling diaphragm syringe **112**. In other aspects, the rolling diaphragm syringe **112** may be formed by a blow-stretch molding process from a preform, such as a process described in International patent application No. PCT/US2014/063477, filed October 31, 2014, the disclosure of which is incorporated herein by this reference.

[0068] The outer diameter of the rolling diaphragm syringe **112** may be dimensioned such that the rolling diaphragm syringe **112** fits within the interior space defined by the throughbore and inner surface of the pressure jacket **110**. In one aspect, the rolling diaphragm syringe **112** fits snugly within the pressure jacket **110** such that the outer surface of the rolling diaphragm syringe **112** abuts the inner surface of the walls of the pressure jacket **110**. In another aspect, the rolling diaphragm syringe **112** fits loosely within the pressure jacket **110** such that there is a gap between at least a portion of the outer surface of the rolling diaphragm syringe **112** and the inner surface of the pressure jacket **110**. The rolling diaphragm syringe **112** may be expanded under pressure during an injection procedure such that the outer surface of the rolling diaphragm syringe **112** abuts the inner surface of the pressure jacket **110**.

[0069] FIGS. 4A-4B show a rolling diaphragm syringe **112** in accordance with another aspect of the present disclosure. FIG. 4B is a cross-sectional side view the rolling diaphragm

syringe **112** shown in **FIG. 4A** taken along line A-A. Many components of the rolling diaphragm syringe **112** shown in **FIGS. 4A-4B** are substantially similar to the components of the rolling diaphragm syringe **112** described herein with reference to **FIGS. 2-3**. Reference numerals in **FIGS. 4A-4B** are used to illustrate identical components as the corresponding reference numerals in **FIGS. 2-3**. As the previous discussion regarding the rolling diaphragm syringe **112** generally shown in **FIGS. 2-3** is applicable to the aspect shown in **FIGS. 4A-4B**, only the relevant differences between these systems are discussed hereinafter.

[0070] Referring initially to **FIG. 4A**, the distal end **130** of the rolling diaphragm syringe **112** has an open-ended discharge neck **140** having a connection member **140a** for connecting to a corresponding connection member, for example the cap of **FIG. 6** as described herein, which may connect to a fluid path set (not shown). In certain aspects of the blow molding process, the open-ended discharge neck may be configured to receive a stretching element to stretch a preform during a blow-stretch molding process. In some aspects, the connection member **140a** is a threaded interface having one or more threads **140b** for mating with corresponding threads **455** (see **FIG. 6**) on the connection member to the fluid path set. In certain aspects, the connection member **140a** may be configured to connect to the fluid path, such as by way of luer-type connection. In other aspects, the connection member **140a** may have one or more lips or grooves that interact with corresponding grooves or lips on a cap **390** of the pressure jacket **110** (shown in **FIG. 5A**) to releasably or non-releasably retain the rolling diaphragm syringe **112** with the cap **390** of the pressure jacket **110**.

[0071] With reference to **FIG. 4B**, the discharge neck **140** has a first sidewall thickness T_1 that is greater than a thickness T_2 of the sidewall **134**. Thickness T_1 is selected such that the discharge neck **140** may be sufficiently rigid to allow for connecting to a corresponding connection member of a fluid path set (not shown) without substantially deforming the discharge neck **140**, for example during an injection procedure. Thickness T_2 is selected such that the sidewall **134** of the rolling diaphragm syringe **112** is flexible to allow for rolling over and unrolling of the sidewall **134** as described herein. The proximal end **132** of the rolling diaphragm syringe **112**, such as the closed end wall **136**, may be reinforced to prevent deformation during rolling over or in particular aspects, unrolling of the sidewall **134**. In some aspects, the proximal end **132** of the rolling diaphragm syringe **112** is configured for engagement with the piston **138** (not shown) as described herein. The proximal end **132** has a radiused folding edge **226** configured to initiate the initial rolling over and in certain aspects, unrolling of the sidewall **134** of the rolling diaphragm syringe **112**. The folding edge

226 may transition into a distally-extending ramp **272** having continuously increasing sidewall thickness T_3 to a distal portion **274** of the end wall **136**. In some aspects, the sidewall thickness T_3 may be greater than sidewall thickness T_2 over at least a portion of the end wall **134**. In various aspects, sidewall thickness T_3 may be between 0.01 inches-0.15 inches.

[0072] The end wall **134** may have a central portion **276** having a substantially dome-shaped structure and a piston engagement portion **244** extending proximally from the central portion **276**, such as an approximate midpoint of the central portion **276**. In some aspects, a distal most end of the central portion **276** may be substantially flat. The piston engagement portion **244** is configured for engagement with the engagement mechanism on the piston of the fluid injector **102**, as described herein. The proximal end **132** of the rolling diaphragm syringe **112** may have one or more ribs **278** protruding radially outward from the piston engagement portion **244** along a proximal surface of the ramp **272**.

[0073] FIG. 5A is a perspective view of a syringe assembly **104** having a rolling diaphragm syringe **112** (shown in FIG. 5B) and a pressure jacket **110** in accordance with another aspect of the present disclosure. The syringe assembly **104** includes the pressure jacket **110** that removably interfaces with the injector **102** (shown in FIG. 1), as described herein. The pressure jacket **110** has a distal end **116**, a proximal end **118**, and a sidewall **119** extending between the distal end **116** and the proximal end **118** along a longitudinal axis of the pressure jacket **110** to define an internal throughbore **121** (shown in FIG. 5B). In some aspects, the sidewall **119** of the pressure jacket **110** is shaped to receive at least a portion of the rolling diaphragm syringe **112** (shown in FIG. 5B) within the throughbore **121**. For example, the sidewall **119** may be substantially cylindrical. The sidewall **119** of the pressure jacket **110** has a first distal portion **360a** for receiving at least a portion of the rolling diaphragm syringe **112**, and a second proximal portion **360b** for interfacing with the injector **102**. The first distal portion **360a** may have an open end configured to releasably receive a cap **390** that encloses the interior of the pressure jacket **110**. The second proximal portion **360b** may have an open end to allow the piston **138** of the fluid injector **102** to extend through the open end and engage rolling diaphragm syringe **112** held within throughbore **121**. The rolling diaphragm syringe **112** may be inserted through the open end of the first distal portion **360a** or the second proximal portion **360b**.

[0074] In some aspects, the second proximal portion **360b** has a flange **380** protruding radially outward from an outer surface of the second proximal portion **360b**. The flange **380**

may extend continuously or discontinuously around an outer circumference of the second proximal portion **360b**. Desirably, the flange **380** extends continuously around the entire outer circumference of the second proximal portion **360b**. The flange **380** is configured for collecting any fluid that may drip from the nozzle **410** of the rolling diaphragm syringe **112** into the connection port of the fluid injector **102**.

[0075] In some aspects, the second proximal portion **360b** has a locking lug or lip **370** protruding radially outward from an outer surface of the second proximal portion **360b**. The locking lug or lip **370** may extend continuously or discontinuously around an outer circumference of the second proximal portion **360b**. The locking lug or lip **370** is configured for interacting with corresponding features on the fluid injector **102** to releasably lock the pressure jacket **110** with the fluid injector **102**. In some aspects, the locking lug or lip **370** may have a connection member to releasably secure the pressure jacket **110** to a corresponding locking mechanism of the fluid injector **102** described in U.S. Patent Nos. 5,383,858; 5,873,861; 6,652,489, 9,173,995; and 9,199,033. Other connection members between the pressure jacket **110** and the fluid injector **102** are described in International Application No. PCT/US2015/057751, filed October 28, 2015, or International Application No. PCT/US2015/057747, filed October 28, 2015.

[0076] With reference to **FIG. 5B** and with continued reference to **FIG. 5A**, the pressure jacket **110** may have a cap **390** that is releasably secured to the distal end **116**. In some aspects, the cap **390** may be secured by a threaded engagement, a bayonet fitting, or another mechanical fastening arrangement with the distal end **116** of the pressure jacket **110**. For example, as shown in **FIG. 5B**, the cap **390** may have at least one projection **430** that is received inside at least one groove **440** on the pressure jacket **110** such that the cap **390** may be locked with the pressure jacket **110** by aligning the at least one projection **430** to fit within the groove **440**. In some aspects, the cap **390** may be locked onto the pressure jacket **110** by rotating the cap **390** about its longitudinal axis relative to the pressure jacket **110**, such as by rotating the cap **390** a portion of a full revolution in a first direction (clockwise or counterclockwise), until the at least one projection **430** is positioned within the groove **440** to prevent axial movement of the cap **390** relative to the pressure jacket **110**. To unlock or disconnect the cap **390** from the pressure jacket **110**, the cap **390** may be rotated in a second direction opposite to the first direction (counterclockwise or clockwise) to disengage the at least one projection **430** from the groove **440**. In some aspects, the cap **390** may be formed from two or more separate elements that are joined together to form the cap **390**, such as in a

clam-shell type arrangement. For example, the cap **390** may have two elements joined together at a longitudinal cross-sectional plane of the cap **390**. A retention ring may be provided around at least a portion of the separate elements to retain the elements of the cap **390** around and secured to the distal discharge neck **140** of rolling diaphragm syringe **112**. The cap **390** may have an inner element **400** with a nozzle **410**. The inner element **400** may be formed directly with the cap **390**, or it may be formed separately and inserted into a central opening of the cap **390**. In some aspects, the inner element **400** may be formed directly on the distal end of the rolling diaphragm syringe **112**, such as on the distal discharge neck **140**, and be inserted into the central opening of the cap **390**. The nozzle **410** may be in fluid communication with the interior volume of the rolling diaphragm syringe **112** (or directly formed on the rolling diaphragm syringe **112**) to deliver fluid into or from the rolling diaphragm syringe **112**. The nozzle **410** may have a connection member **420** for removably connecting to a connector of the fluid path set **108** (shown in **FIG. 1**). For example, the connection member **420** may be an annular skirt that surrounds the nozzle **410** and has one or more engagement elements that engage the corresponding connector of the fluid path set **108**. In some aspects, the connection member **420** or nozzle **410** may be a luer-type fitting.

[0077] The cap **390** may have a pocket **450** for collecting any fluid that may drip from the nozzle **410** and/or the connector **420**. The pocket **450** is defined by an annular sidewall **460** that extends around the nozzle **410** and the connector **420**. The annular sidewall **460** may have one or more gripping elements **470** to facilitate gripping of the cap **390** when the cap **390** is connected to and/or disconnected from the pressure jacket **110**. In some aspects, the gripping elements **470** may protrude radially outward from at least a portion of the outer surface of the annular sidewall **460**. The cap **390** may have a radial flange **480** that extends radially outward from a proximal portion of the annular sidewall **460**. The radial flange **480** may extend continuously or discontinuously around an outer circumference of the cap **390**. Desirably, the radial flange **480** extends continuously around the entire outer circumference of the cap **390**. The radial flange **480** may have the same outer diameter as the pressure jacket **110** such that an outer radial surface of the radial flange **480** is flush with the diameter of the outer sidewall **119** of the pressure jacket **110**.

[0078] With reference to **FIG. 5C**, at least a portion of the rolling diaphragm syringe **112** may be removably secured to the cap **390**. In some aspects, the cap **390** may have a connection member that corresponds to and connects with the connection member **140a** (shown in **FIG. 4A**) of the rolling diaphragm syringe **112**. For example, an inner sidewall of

the cap **390** may have one or more threads **455** (shown in **FIG. 6**) that engage the corresponding threads **140b** (shown in **FIG. 4A**) on the rolling diaphragm syringe **112**. The one or more threads **455** may have a radial taper from a proximal end to a distal end such that the threads **455** engage the connection member **140a** of the rolling diaphragm syringe **112** progressively tighter as the cap **390** is tightened to the discharge neck **140** of the rolling diaphragm syringe **112**. In other aspects, the cap **390** may be secured to the rolling diaphragm syringe **112** by a snap-fit, clam-shell fit, interference fit, adhesive connection, co-molding, threaded fit, or any other mechanical fastening arrangement. For example, the cap **390** may be secured to the rolling diaphragm syringe **112** by interacting with one or more radial ribs and/or grooves extending around an outer circumference of the discharge neck **140** of the rolling diaphragm syringe **112**. In some aspects, an O-ring seal may be provided at the connection interface between the cap **390** and the discharge neck **140** of the rolling diaphragm syringe **112**. In other aspects, the rolling diaphragm syringe **112** may have a built-in cap **390**. In various aspects, the rolling diaphragm syringe **112** may be removably or non-removably connected to the cap **390**. Desirably, the rolling diaphragm syringe **112** is secured to the cap **390** prior to being inserted into the throughbore **121** of the pressure jacket **110**. After securing the cap **390** to the pressure jacket **110**, the piston **138** (shown in **FIG. 2**) may engage the rolling diaphragm syringe **112** to deliver fluid into or from the rolling diaphragm syringe **112**, as described herein.

[0079] As further shown in **FIG. 5C**, the rolling diaphragm syringe **112** may initially be in a compressed configuration where the rolling diaphragm syringe **112** is rolled over on itself. Providing the rolling diaphragm syringe **112** in an initial compressed configuration may provide economic benefits during packaging and shipping by requiring less packaging material per syringe set up and/or allowing more syringe set-ups to be package. Further, the smaller size of the syringe in the compressed state requires less room for storage of syringe packs within the injection room or suite. Further, due to the use of less material in the design of the syringe sidewall, manufacturing costs are reduced due to the need for less raw materials and shipping costs are reduced due to reduced weight of the syringes and packaging materials.

[0080] With reference to **FIGS. 7A-7B**, the syringe assembly **104** is shown with an engagement mechanism **500** of the fluid injector **102** for engaging the piston **138** of the fluid injector **102** with the rolling diaphragm syringe **112** according to one aspect of the present disclosure. The rolling diaphragm syringe **112** in **FIGS. 7A-7B** is shown in an empty,

compressed state where the interior volume of the rolling diaphragm syringe **112** is not filled with fluid, such as when an empty rolling diaphragm syringe **112** is initially inserted into the pressure jacket. In other aspects, the interior volume of the rolling diaphragm syringe **112** may be at least partially filled with fluid. The central portion **276** of the rolling diaphragm syringe **112** has a substantially dome-shaped structure and the piston engagement portion **244** extends proximally from the central portion **276**. The piston engagement portion **244** is configured for engagement with the engagement mechanism **500** of the fluid injector **102**. In some aspects, the piston engagement portion **244** has a stem **244a** having a first end **244b** connected at the central portion **276** and a second end **244c** extending proximally from the first end **244b**. In some aspects, a diameter of the stem **244a** may be uniform between the first end **244b** and second end **244c**. In other aspects, the diameter of the stem **244a** may be non-uniform between the first end **244b** and the second end **244c**. For example, the diameter of the stem **244a** may gradually decrease from the first end **244b** to the second end **244c**.

[0081] The second end **244c** has an engagement member, such as at least one flange or protrusion **244d**, that protrudes radially outward relative to the diameter of the stem **244a**. In some aspects, the engagement member may be configured as a lip (not shown) that is recessed radially inward into the stem **244a**. The at least one protrusion **244d** may extend circumferentially around at least a portion of the stem **244a** in a continuous or discontinuous manner. In some aspects, the protrusion **244d** may be monolithically formed with the stem **244a**. In other aspects, the protrusion **244d** may be formed separately from the stem **244a** and removably or non-removably attached to the stem **244a**. In one aspect, the engagement member protrusion **244d** may be attached to the proximal end of stem **244a**, for example by an adhesive or by a mechanical mechanism. For example, in one aspect the engagement member may be screwed into the proximal end of stem **244a** wherein the screw head may form protrusion **244d**. In other aspects, the protrusion **244d** may be integrally formed with the stem **244a** in one or multiple manufacturing steps, such as by molding the protrusion **244d** together with the stem **244a**, or molding the stem **244a** first followed by a separate manufacturing process to form the protrusion **244d**. In one aspect, the protrusion **244d** may be formed by heating and rolling or compressing the second end **244c** of the stem **244a** after the stem **244a** is molded. The protrusion **244d** is configured for interacting with one or more engagement pins or surfaces of the engagement mechanism **500** that move radially inward and outward to engage and disengage, respectively, the stem **244** of the rolling diaphragm syringe **112** with the engagement mechanism **500** of the fluid injector **102**. In some aspects,

the protrusion **244d** has a distally facing surface **244e** configured to engage a proximal surface of the one or more engagement pins/surfaces **520**, as described herein.

[0082] With continued reference to **FIGS. 7A-7B**, the piston **138** includes an outer piston section **510** having an outer piston sleeve **512** and an abutment section **514** attached thereto. The outer piston sleeve **512** has an outer engagement surface **502** for engaging at least a portion of the rolling diaphragm syringe **112**. In some aspects, the outer engagement surface **502** of the piston **138** may contact at least a portion of the proximal end of the rolling diaphragm syringe **112**, such as the end wall **136**. The outer engagement surface **502** may be shaped to correspond to the shape of the end wall **136** such that the outer engagement surface **502** is in surface-to-surface contact with the end wall **136** of the rolling diaphragm syringe **112**. Outer piston sleeve **512** forms a surface over which the side wall of rolling diaphragm syringe **112** may roll over during a filling or dispensing process by reciprocal movement of the piston.

[0083] The abutment section **514** is axially movable relative to the outer piston section **510**. Abutment of a distally facing flange or ledge **516** of the abutment section **514** with a proximal surface of the outer piston sleeve **512** causes the piston **138** to move distally relative to the rolling diaphragm syringe **112** to expel fluid from the interior volume of the rolling diaphragm syringe **112**. The abutment section **514** is movable or slidable in an axial direction relative to the outer piston section **510** to control the state or position of one or more engagement pins or surfaces **520**. The motion of the abutment section **514** relative to the outer piston section **510** is limited to allow engagement or disengagement of the pins/surfaces **520** with engagement member protrusion **244d**. For example, such relative motion can be limited using a pin **522** fixed to abutment section **514**. The pin **522** passes through and seats within a slot formed in the outer piston sleeve **510**. In some aspects, the abutment section **514** may be movable by about 0.100 to 0.150 inches, for example 0.125 inches, before the outer piston section **510** is moved together with the abutment section **514**.

[0084] The piston **138** also has an inner piston section **518** having a central opening **524**. The central opening **524** of the inner piston section **518** is concentric with an opening **504** that extends through a central portion of the outer piston section **510** along a longitudinal axis **506** of the piston **138**. The central opening **524** of the inner piston section **518** and the opening **504** of the outer piston section **510** are shaped to receive the piston engagement portion **244** of the rolling diaphragm syringe **112**. Desirably, an inner diameter of the openings **504, 524** is slightly larger than an outer diameter of the widest portion of the piston

engagement portion **244** to allow free insertion of the piston engagement portion **244** into the openings **504**, **524**. In certain aspects, diameter of the opening **504** is conical to guide engagement portion **244** into the correct position for engagement or disengagement of the pins/surfaces **520** with engagement member protrusion **244d**.

[0085] With continued reference to **FIGS. 7A-7B**, the one or more engagement pins/surfaces **520** are positioned inside a pocket **526** defined between the abutment section **514** and a clamping ring **528**. The clamping ring **528** is removably attached to the abutment section **514**, such as by a threaded connection. The one or more engagement pins/surfaces **520** are configured to extend and retract in a radial direction through passages **530** due to movement of the abutment section **514** relative to the inner piston section **518**. The passages **530** restrict axial movement of the one or more engagement pins **520** relative to the inner piston section **518** but allow radial movement. The one or more engagement pins/surfaces **520** are substantially L-shaped and are configured to contact one of the abutment section **514** or the clamping ring **528** depending on whether the piston **138** is moved in proximal direction **A** or distal direction **B**. Such contact with one of the abutment section **514** or the clamping ring **528** causes the one or more pins/surfaces **520** to be extended from or retracted into the passages **530**.

[0086] The radial extension and retraction of the one or more engagement pins/surfaces **520** is controlled by engagement with at least a portion of the clamping ring **528** during proximal movement of the piston **138** and at least a portion of the abutment section **514** during distal movement of the piston **138**, respectively. The abutment section **514** has an opening ramp **532** while the clamping ring **528** has a closing ramp **534**. The opening and closing ramps **532**, **534** are surfaces that are angled relative to the longitudinal axis **506** such that movement of the abutment section **514** relative to the inner piston section **518** urges the one or more pins/surfaces **520** to contact one of the ramps **532**, **534** and effect radially inward or outward movement of the one or more pins/surfaces **520**. During movement of the piston **138** in the proximal direction, such as shown by arrow **A** in **FIG. 7A**, the one or more engagement pins/surfaces **520** contact the closing ramp **534** on the clamping ring **528**, thereby causing the one or more engagement pins **520** to slide along the closing ramp **534** and radially extend inward towards the longitudinal axis **506** through the passages **530**. As the one or more engagement pins/surfaces **520** extend radially inward into the central opening **524** of the inner piston section **518**, the one or more engagement pins/surfaces **520** are positioned distally of the distal surface **244e** of the protrusion **244d** of the piston engagement

portion 244. During further proximal movement of the piston 138, a proximal surface of the one or more engagement pins/surfaces 520 contacts the protrusion 244d and pulls the piston engagement portion 244 of the rolling diaphragm syringe 112 in the proximal direction. Because the piston engagement portion 244 is integrally formed with the sidewall 134 of the rolling diaphragm syringe 112, the sidewall 134 is rolled out from being inverted upon itself to allow filling of interior volume 114 of the rolling diaphragm syringe 112 with fluid. In this manner, if the interior volume 114 of the rolling diaphragm syringe 112 is initially empty (or partially filled) and the proximal end 132 of the rolling diaphragm syringe 112 is rolled upon itself toward the distal end 130, the rolling diaphragm syringe 112 can be unrolled and withdrawn in the proximal direction by the piston 138 to fill the interior volume 114 with fluid. In order to prevent the end wall 136 from rolling upon itself before the sidewall 134 starts rolling upon itself, the end wall 136 desirably has a thicker sidewall relative to a thickness of the sidewall 134, as discussed herein.

[0087] Fluid can be delivered from the interior volume 114 of the rolling diaphragm syringe 112 by driving the piston 138 in the distal direction. During movement of the piston 138 in the proximal direction, such as shown by arrow B in FIG. 7B, the one or more engagement pins 520 contact the opening ramp 532 on the abutment section 514, thereby causing the one or more engagement pins/surfaces 520 to slide along the opening ramp 532 and radially retract away from the longitudinal axis 506. As the one or more engagement pins/surfaces 520 are radially retracted from the central opening 524 of the inner piston section 518, the one or more engagement pins/surfaces 520 come out of contact with the protrusion 244d of the piston engagement portion 244 and the outer piston section 510 pushes the proximal end 132 of the rolling diaphragm syringe 112 in the distal direction. The sidewall 134 of the rolling diaphragm syringe 112 is inverted upon itself, thereby reducing the interior volume 114 of the rolling diaphragm syringe 112 to deliver fluid from the rolling diaphragm syringe 112. In this manner, if the interior volume 114 of the rolling diaphragm syringe 112 is fully or partially filled, the rolling diaphragm syringe 112 can be rolled by folding the sidewall 134 of the rolling diaphragm syringe 112 upon itself due to distal movement of the piston 138 to deliver fluid from the interior volume 114. The rolling diaphragm syringe 112 can be refilled with fluid once some or all of the fluid has been discharged from the interior volume 114 by retracting the piston 138 in the proximal direction A, as described herein.

[0088] FIG. 8 is a cross-sectional side view of a rolling diaphragm syringe 112 and a plunger 144 in accordance with another aspect of the present disclosure. The plunger 144 has an inner element 300 and an elastic element 310 wrapped around at least a portion of the inner element 300. One end of the elastic element 310, such as a proximal end 310a or a distal end 310b, may be secured to the inner element 300, while the opposing end of the elastic element 310 is free to rotate about the inner element 300. Upon rotation of one end of the elastic element 310 around the inner element 300 in a first direction, such as a clockwise or a counterclockwise direction, the elastic element 310 may be expanded radially outward to engage an inner surface of an outer element 320 that surrounds the inner element 300 and the elastic element 310. The outer element 320 may be formed as a split cylinder with a slit extending along its longitudinal axis. An outer surface of the outer element 320 engages the sidewall 134 of the rolling diaphragm syringe 112. Thus, as the elastic element 310 expands against the inner surface of the outer element 320, the outer element 320 expands radially outward such that its outer surface engages the sidewall 134 of the rolling diaphragm syringe 112. In this manner, the plunger 144 may move the sidewall 134 of the rolling diaphragm syringe 112 to withdraw fluid or expel fluid from the interior volume 114 of the rolling diaphragm syringe 112. In some aspects, the elastic element 310, in the expanded state, may engage the sidewall 134 of the rolling diaphragm syringe 112. Upon rotation of the elastic element 310 around the inner element 300 in a second direction opposite the first direction, the elastic element 310 may contract radially inward, thereby disengaging the outer element 320. In some aspects, the elastic element 310, in the contracted state, may disengage from the sidewall 134 of the rolling diaphragm syringe 112.

[0089] FIG. 9 is a cross-sectional side view of a pressure jacket 110 in accordance with another aspect of the present disclosure. The pressure jacket 110 may have an adapter 110a for releasably connecting the pressure jacket 110 with the injector 102. An outer sidewall of the pressure jacket 110 has one or more tabs 330 that protrude radially outward relative to the outer sidewall. The one or more tabs 330 are received in corresponding slots 340 of an engagement mechanism formed on the adapter 110a. In some aspects, the pressure jacket 110 may be secured to the adapter 110a by inserting the pressure jacket 110 into a central opening on the adapter 110a and rotating the pressure jacket 110 relative to the adapter 110a in a first direction (such as a partial turn in a clockwise or a counterclockwise direction) until the tabs 330 are received within the slots 340. Once received, the tabs 330 axially retain the pressure jacket 110 locked with the adapter 110a until the pressure jacket 110 is rotated in a

second direction opposite the first direction (such as a partial turn in a counterclockwise or a clockwise direction). The adapter **110a** may have a radial flange **350** protruding from an outer sidewall to prevent fluid from dripping into the injector **102**. One or more locking elements **360** may be provided on the adapter **110a** to removably lock the adapter **110a** with a corresponding locking mechanism on the injector **102**. In some aspects, the adapter **110a** may be removably locked with the injector **102**, such as by a bayonet connection. In other aspects, the adapter **110a** may have a connection member to releasably secure the adapter **110a** and the pressure jacket **110** to the fluid injector **102** in the form of a connection member described in U.S. Patent Nos. 5,383,858; 5,873,861; 6,652,489, 9,173,995; or 9,199,033 discussed herein.

[0090] A force that the plunger **144** needs to exert on the proximal end wall **132** of the rolling diaphragm syringe **112** to withdraw the end wall **132** in a controlled manner without longitudinal bending or pleating of the sidewall **134** of the rolling diaphragm syringe **112** is a function of one or more material properties of the rolling diaphragm syringe **112**, such as Young's modulus of elasticity, thickness of the sidewall **134** at a folding region, frictional force between the plunger **144** and the inwardly facing outer sidewall of the rolling diaphragm syringe **112**, and a diameter of the plunger **144** relative to a diameter of the rolling diaphragm syringe **112**. In certain cases, during the rolling or unrolling of the sidewall **134**, such as during a fluid filling or delivery procedure, one or more folds **500** may be developed at or near the rolled portion of the sidewall **134**, which may result in error or inaccuracy in the volume of fluid drawing into or delivered from the rolling diaphragm syringe **112**. With reference to **FIGS. 11A-11B**, one or more folds **500** are shown on the sidewall **134** of the rolling diaphragm syringe **112** during various stages of rolling over of the sidewall **134** when the correct wall thickness at the end portion and side walls is not used. This folding behavior, known as "pleating", may be caused by diameter reduction of the rolling diaphragm syringe **112** when an outer portion of the sidewall **134** is rolled upon itself. In certain cases, the pleating behavior may be exacerbated by non-uniform circumferential sidewall thickness, non-uniform geometry in the base, and/or localized contact between the plunger and the base. Once formed, the presence of the folds **500** is often maintained in the sidewall **134** during retraction of the plunger **144**. Repeated filling and emptying of the rolling diaphragm syringe **112** may lead to an increase in localized material stresses in the sidewall **134** at the location of the folds **500**. Further, folds **500** in sidewall **134** may affect accuracy of fluid delivery volume. Therefore, the material properties of the rolling diaphragm syringe **112**, thickness of

the sidewall **134** at a folding region, frictional force between the plunger **144** and the inwardly facing outer sidewall of rolling diaphragm syringe **112**, and a diameter of the plunger **144** relative to a diameter of the rolling diaphragm syringe **112** are important design criteria when designing a fluid delivery system utilizing the rolling diaphragm syringe **112** in order to reduce or eliminate the formation and propagation of the folds **500** and allow for consistency and accuracy of fluid delivery.

[0091] In some aspects, pleating can be reduced or eliminated by controlling the plunger outer diameter relative to the outer diameter of the rolling diaphragm syringe **112** for a rolling diaphragm syringe **112** of a given material and sidewall thickness. In one test analysis, a first rolling diaphragm syringe **112** made from a PET material and having a sidewall thickness of 0.006" with a 1.805" outer diameter was rolled using a plunger **144** having an outer diameter of 1.609" (**FIG. 10A**), while a second rolling diaphragm syringe **112** made from the PET material and having a sidewall thickness of 0.006" with a 1.805" outer diameter was rolled using a plunger **144** having an outer diameter of 1.744" (**FIG. 10B**). With reference to **FIG. 10A**, in the first example pleating was manifested in the formation of the undesirable folds **500**. In this example, a ratio of plunger diameter to rolling diaphragm syringe diameter was 0.891, with a 44 lb force necessary to drive the plunger **144**. In other examples, ratios of plunger diameter to rolling diaphragm syringe diameter ranging from 0.892 to 0.999, in other aspects from 0.920 to 0.985, in still other aspects from 0.955 to 0.980, and still other aspects from 0.960 to 0.975 have been found to reduce or eliminate pleating of the sidewall **134**. Pleating effects have been found to worsen as the plunger diameter is further reduced. With reference to **FIG. 10B**, pleating on the sidewall **134** of the rolling diaphragm syringe **112** is eliminated. In this aspect, the ratio of plunger diameter to rolling diaphragm syringe diameter is 0.966, with a 75 lb force necessary to drive the plunger **144**. With reference to **FIGS. 12A-12B**, the pleating effect is reduced by doubling the sidewall thickness from 0.006 inch to 0.012 inch, for example from 0.008-0.015 inches. The plunger force is increased from 42 lbs to 208 lbs to initiate and maintain the rolling of the sidewall **134**. **Table I** below includes test data for rolling diaphragm syringes **112** of various sidewall thicknesses used with plungers **144** of various diameters. Plunger force values ("Peak Rolling Force") are shown for each experimental example.

Syringe Diameter	1.804 in.
Pressure Jacket	1.845 in

Data Set	Plunger Diameter	Syringe Design Name	Wall Thickness	Analysis Internal Pressure	SPECIFY Test Pressure	Peak Rolling Force (at FEA Pressure)	Peak Rolling Force (without pressure contribution)	Peak Rolling Force (at test Pressure)	Pleating	Peak Rolling Force (based on Test data)
	in.	-	in.	psi	psi	lbf	lbf	lbf	Y/N	lbf
Set 1	1.609	C7668ES2 B	0.006	80	7	248.29	43.74	61.64	Y	
	1.744	C7668ES2 B	0.006	80	7	279.93	75.39	93.29	N	
Set 2	1.609	C7668ES4 A	0.006	80	7	246.27	41.72	59.62	Y	
	1.609	C7668ES4 A	0.012	80	7	412.18	207.63	225.53	Y	
	1.609	C7668ES4 A	0.012	80	7	435.56	231.01	248.91	N	
	1.744	C7668ES4 A	0.006	80	7	274.79	70.24	88.14	N	
Set 3	1.729	C7668ES4 A	0.006	80	7	264.20	59.66	77.56	N	~63
	1.729	C7668ES4 A	0.008	80	7	326.45	121.90	139.80	N	
	1.729	C7668ES4 A	0.010	80	7	417.38	212.83	230.73	N	
	1.729	C7668ES4 A	0.012	80	7	550.63	346.09	363.98	N	

Table I

[0092] While aspects of a fluid delivery system and a syringe for use therefor were provided in the foregoing description, those skilled in the art may make modifications and alterations to these aspects without departing from the scope and spirit of the disclosure. Accordingly, the foregoing description is intended to be illustrative rather than restrictive. The disclosure described hereinabove is defined by the appended claims and all changes to the disclosure that fall within the meaning and the range of equivalency of the claims are to be embraced within their scope.

WE CLAIM:

1. A rolling diaphragm syringe for receiving a medical fluid therein, the rolling diaphragm syringe comprising:

a proximal end having an end wall for engagement with a piston;

a distal end having an open-ended discharge neck;

a sidewall extending between the proximal end and the distal end along a longitudinal axis; and

a piston engagement portion protruding proximally from a central portion of the end wall and configured for engagement with a piston of a fluid injector, the piston engagement portion having a stem with a first end attached to the end wall, a second end extending proximally from the first end, and at least one engagement member at the second end that protrudes radially outward or radially inward relative to an outer surface of the stem,

wherein the sidewall is flexible and rolls upon itself when acted upon by the piston such that an outer surface of the sidewall is folded in a radially inward direction as the piston is advanced from the proximal end to the distal end.

2. The rolling diaphragm syringe of claim 1, wherein at least a portion of the end wall has non-uniform thickness.

3. The rolling diaphragm syringe of claim 1, wherein the sidewall is unfolded in a radially outward direction as the piston is retracted from the distal end to the proximal end.

4. The rolling diaphragm syringe of claim 1, wherein the end wall has a radiused folding edge and wherein at least a portion of the end wall continuously increases in thickness in a radially inward direction from the radiused folding edge.

5. The rolling diaphragm syringe of claim 1, wherein the discharge neck has a connection member for connecting to a cap.

6. The rolling diaphragm syringe of claim 1, wherein the engagement member has a distal surface configured for engaging one or more engagement pins of the piston during movement of the piston in the proximal direction.

7. The rolling diaphragm syringe of claim 1, wherein the engagement member is monolithically formed with the second end of the stem.

8. The rolling diaphragm syringe of claim 1, wherein the rolling diaphragm is initially in a compressed, rolled state and is configured to be unrolled during a filling process as the piston retracts the end wall in a proximal direction.

9. A syringe assembly for a fluid delivery system, the syringe assembly comprising:

a pressure jacket having an open distal end, an open proximal end, and a sidewall with a throughbore extending between the distal end and the proximal end;

a rolling diaphragm syringe configured to be received within the throughbore of the pressure jacket, the rolling diaphragm syringe comprising:

a proximal end having an end wall for engagement with a piston;

a distal end having an open-ended discharge neck;

a sidewall extending between the proximal end and the distal end along a longitudinal axis, the sidewall of the rolling diaphragm syringe defining an interior volume for receiving a medical fluid therein; and

a piston engagement portion protruding proximally from a central portion of the end wall and configured for engagement with a piston of a fluid injector, the piston engagement portion having a stem with a first end attached to the end wall, a second end extending proximally from the first end, and at least one engagement member at the second end that protrudes radially outward or radially inward relative to an outer surface of the stem; and

a cap configured for engaging at least one of the distal end of the pressure jacket and the distal end of the rolling diaphragm syringe to enclose the open-ended discharge neck of the rolling diaphragm syringe,

wherein the sidewall of the rolling diaphragm syringe is flexible and rolls upon itself when acted upon by the piston such that an outer surface of the sidewall is folded

in a radially inward direction as the piston is advanced from the proximal end to the distal end.

10. The syringe assembly of claim 9, wherein the proximal end of the pressure jacket has at least one locking lip or lug protruding radially outward from an outer surface of the sidewall of the pressure jacket for releasably locking the pressure jacket with a fluid injector.

11. The syringe assembly of claim 9, wherein the cap has at least one projection or groove that interacts with a corresponding groove or projection on the distal end of the pressure jacket for releasably securing the cap to the pressure jacket.

12. The syringe assembly of claim 9, wherein the cap has a nozzle and an annular sidewall surrounding the nozzle, the sidewall having one or more gripping elements protruding radially outward from the outer surface of the annular sidewall.

13. The syringe assembly of claim 9, wherein the cap is non-removably secured to the discharge neck of the rolling diaphragm syringe and wherein the cap has an engagement element for removably connecting the cap with the distal end of the pressure jacket.

14. The syringe assembly of claim 13, and wherein the outer surface of the sidewall is unfolded in a radially outward direction as the piston is retracted from the distal end to the proximal end.

15. The syringe assembly of claim 9, wherein the engagement member of the piston engagement portion has a distal surface configured for engaging one or more engagement pins of the piston during movement of the piston in the proximal direction.

16. The syringe assembly of claim 9, wherein at least a portion of the end wall has non-uniform thickness.

17. The syringe assembly of claim 16, wherein the thickness of the end wall increases in a radially inward direction.

18. The syringe assembly of claim 9, wherein the cap has a nozzle in fluid communication with the interior volume of the rolling diaphragm syringe, the nozzle having a connector for connecting to a fluid path set.

19. The syringe assembly of claim 18, wherein the connector is a luer connector.

20. A rolling diaphragm syringe for receiving a medical fluid therein, the rolling diaphragm syringe comprising:

a proximal end having an end wall for engagement with a piston;

a distal end having an open-ended discharge neck;

a sidewall extending between the proximal end and the distal end along a longitudinal axis, the sidewall of the rolling diaphragm syringe defining an interior volume for receiving the medical fluid therein;

a piston engagement portion protruding proximally from a central portion of the end wall and configured for engagement with a piston of a fluid injector, the piston engagement portion having a stem with a first end attached to the end wall, a second end extending proximally from the first end, and at least one engagement member at the second end that protrudes radially outward or radially inward relative to an outer surface of the stem; and

a cap secured to the discharge neck of the rolling diaphragm syringe, the cap having a nozzle in fluid communication with the interior volume of the rolling diaphragm syringe,

wherein the sidewall is flexible and rolls upon itself when acted upon by the piston such that an outer surface of the sidewall is folded in a radially inward direction as the piston is advanced from the proximal end to the distal end and wherein the outer surface of the sidewall is unfolded in a radially outward direction as the piston is retracted from the distal end to the proximal end.

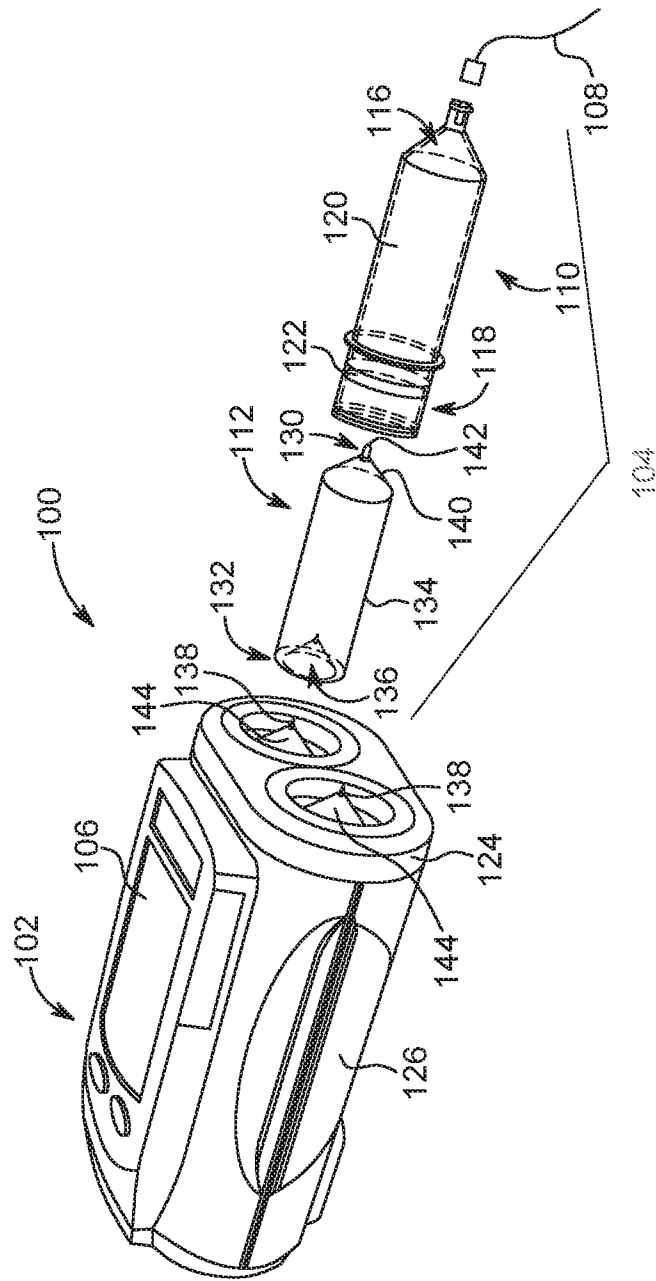


FIG. 1

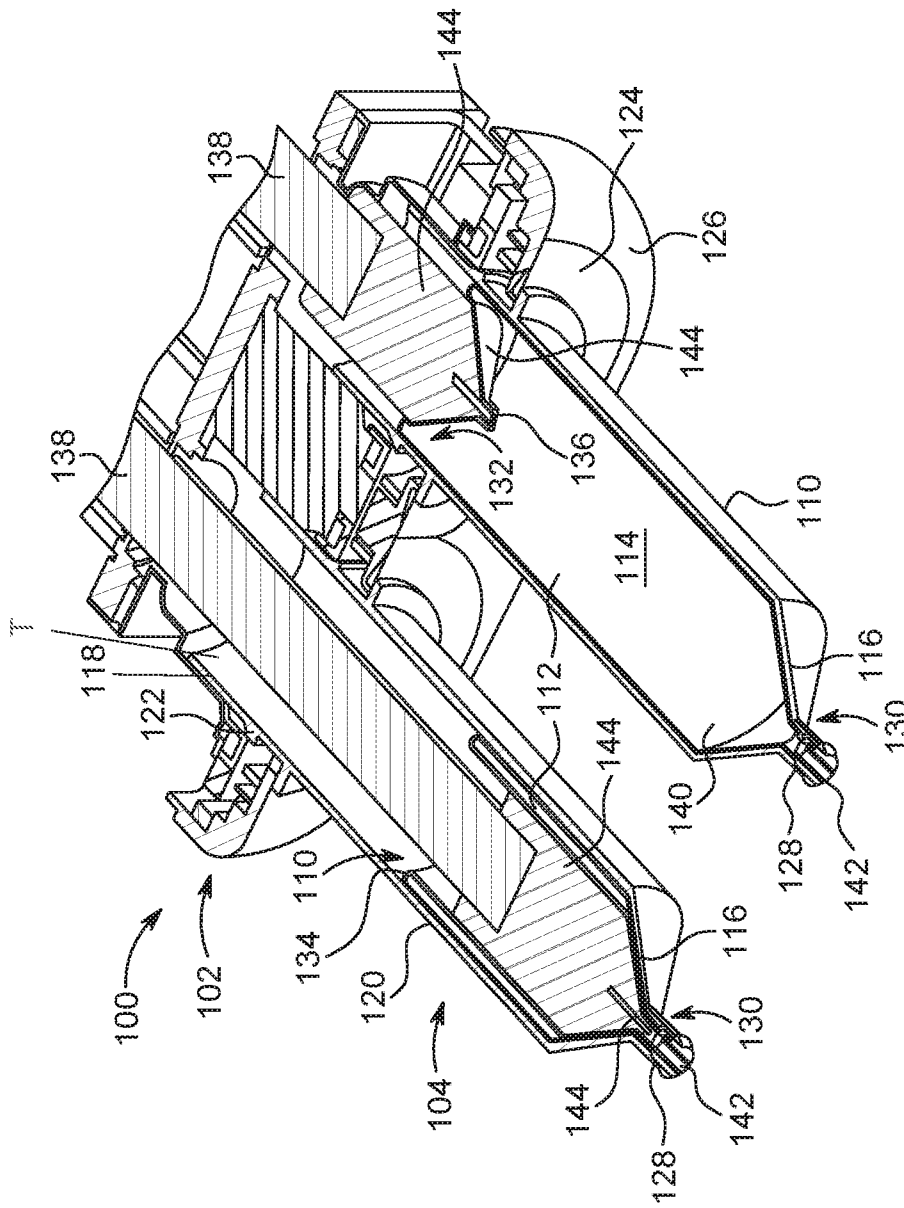


FIG. 2

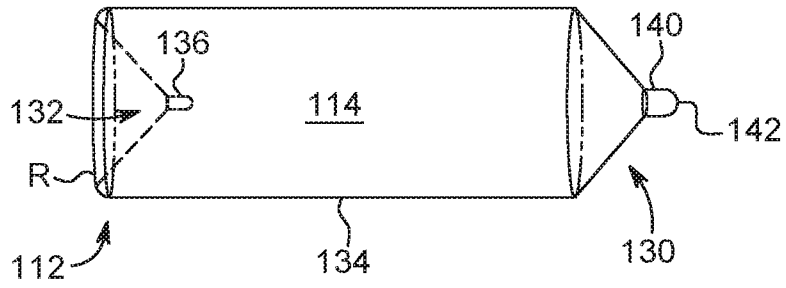


FIG. 3

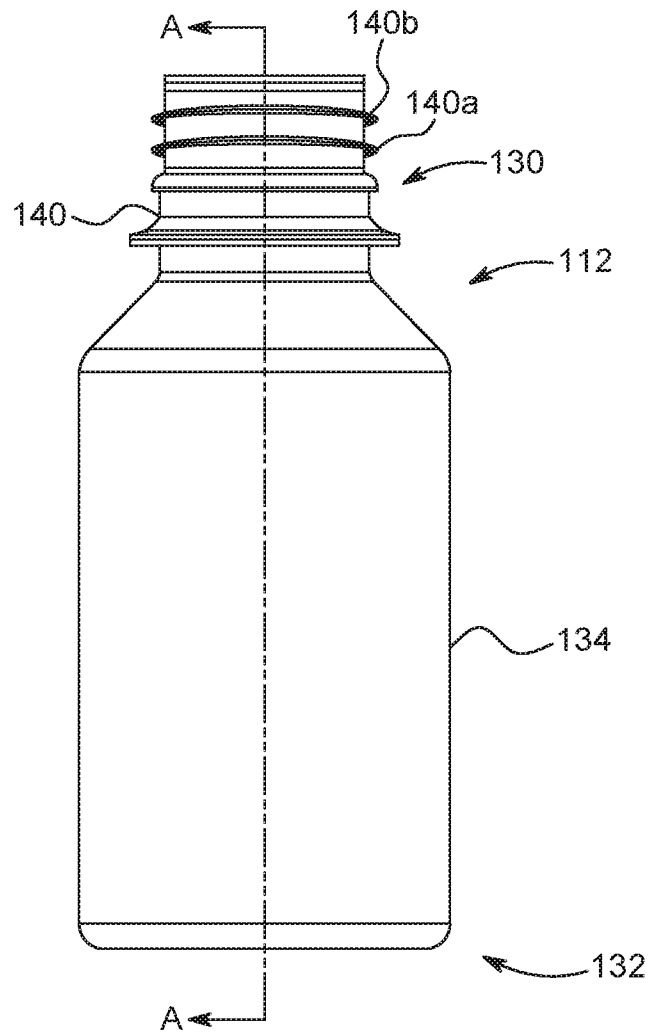


FIG. 4A

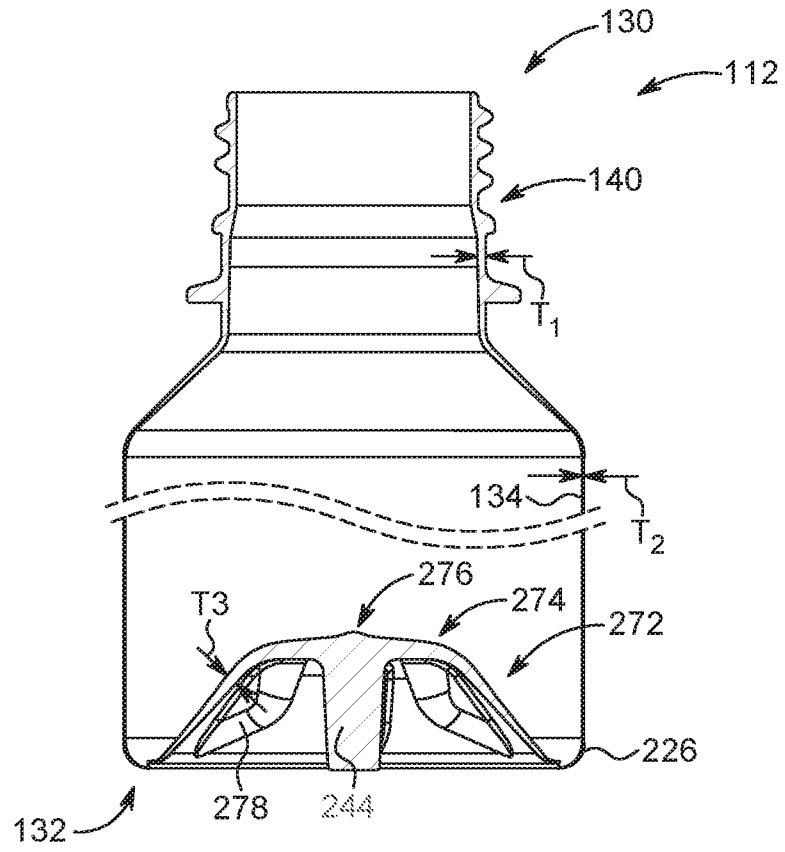


FIG. 4B

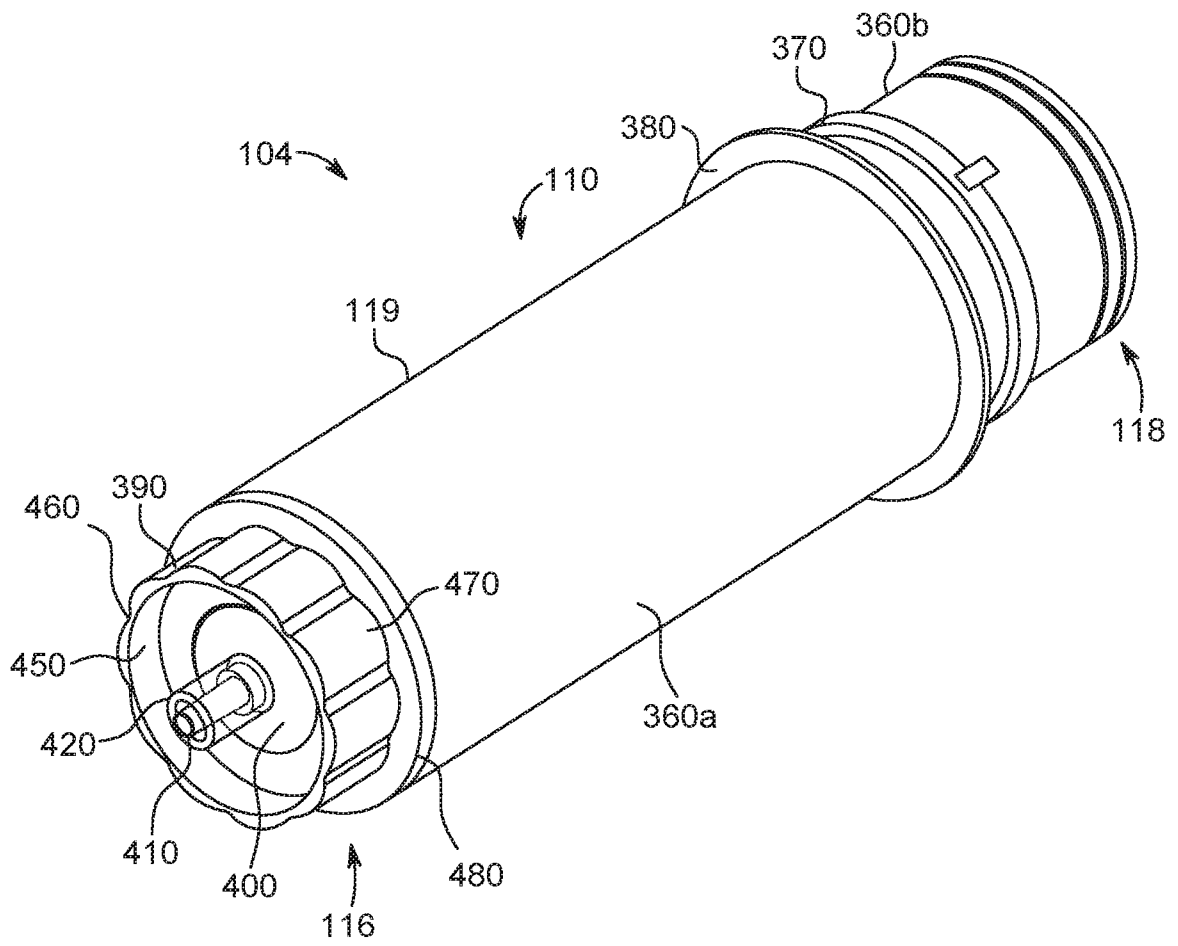


FIG. 5A

7/15

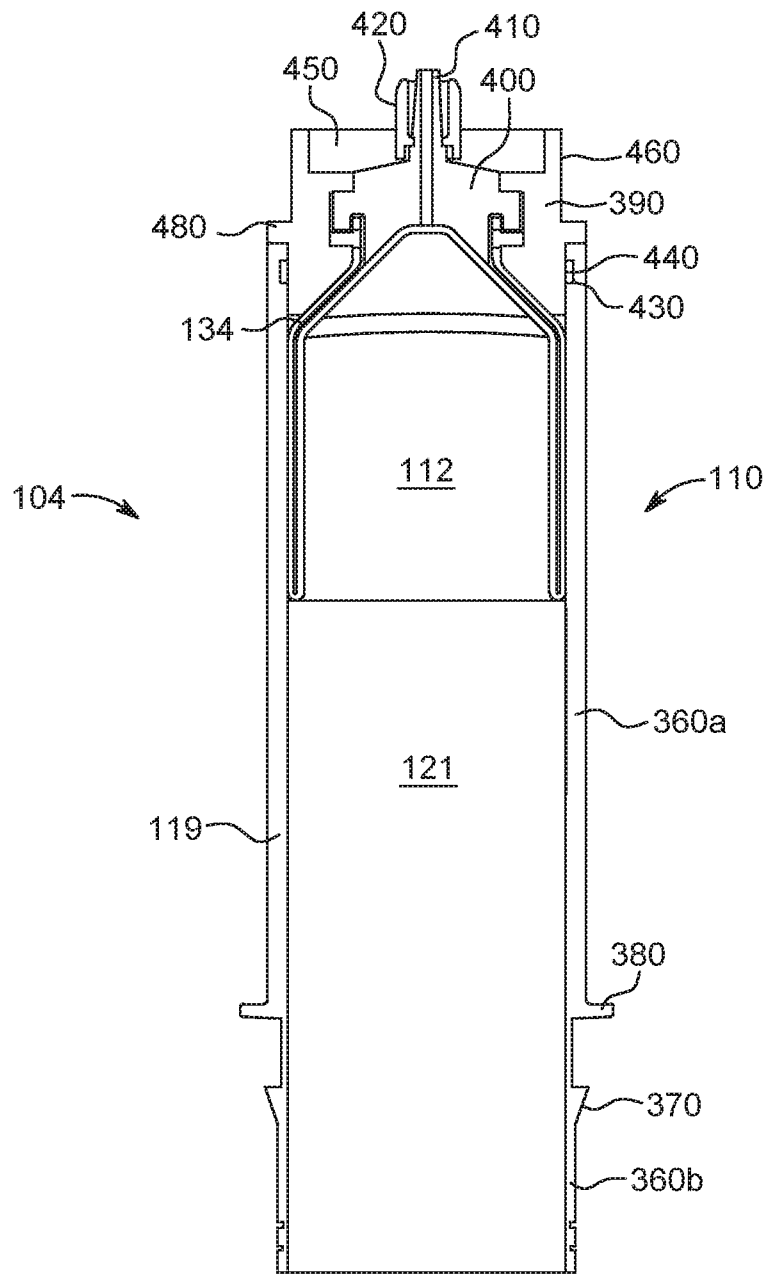


FIG. 5B

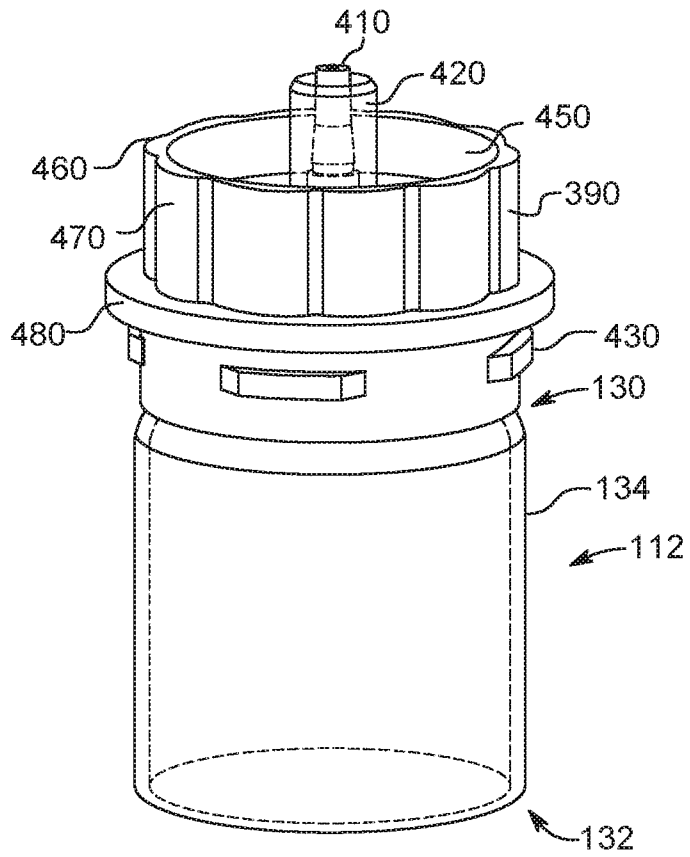


FIG. 5C

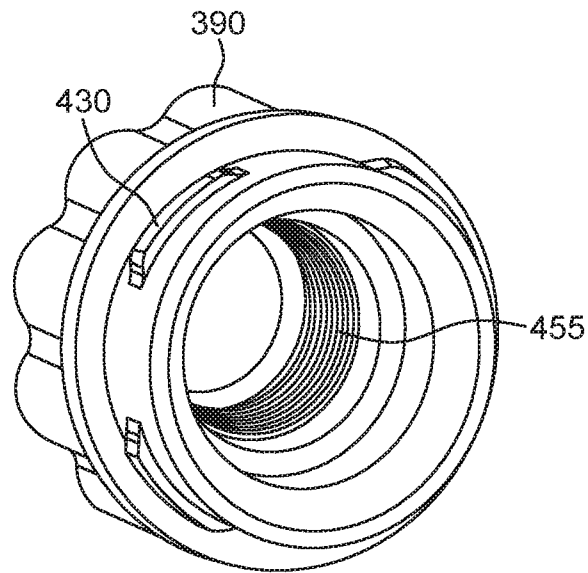


FIG. 6

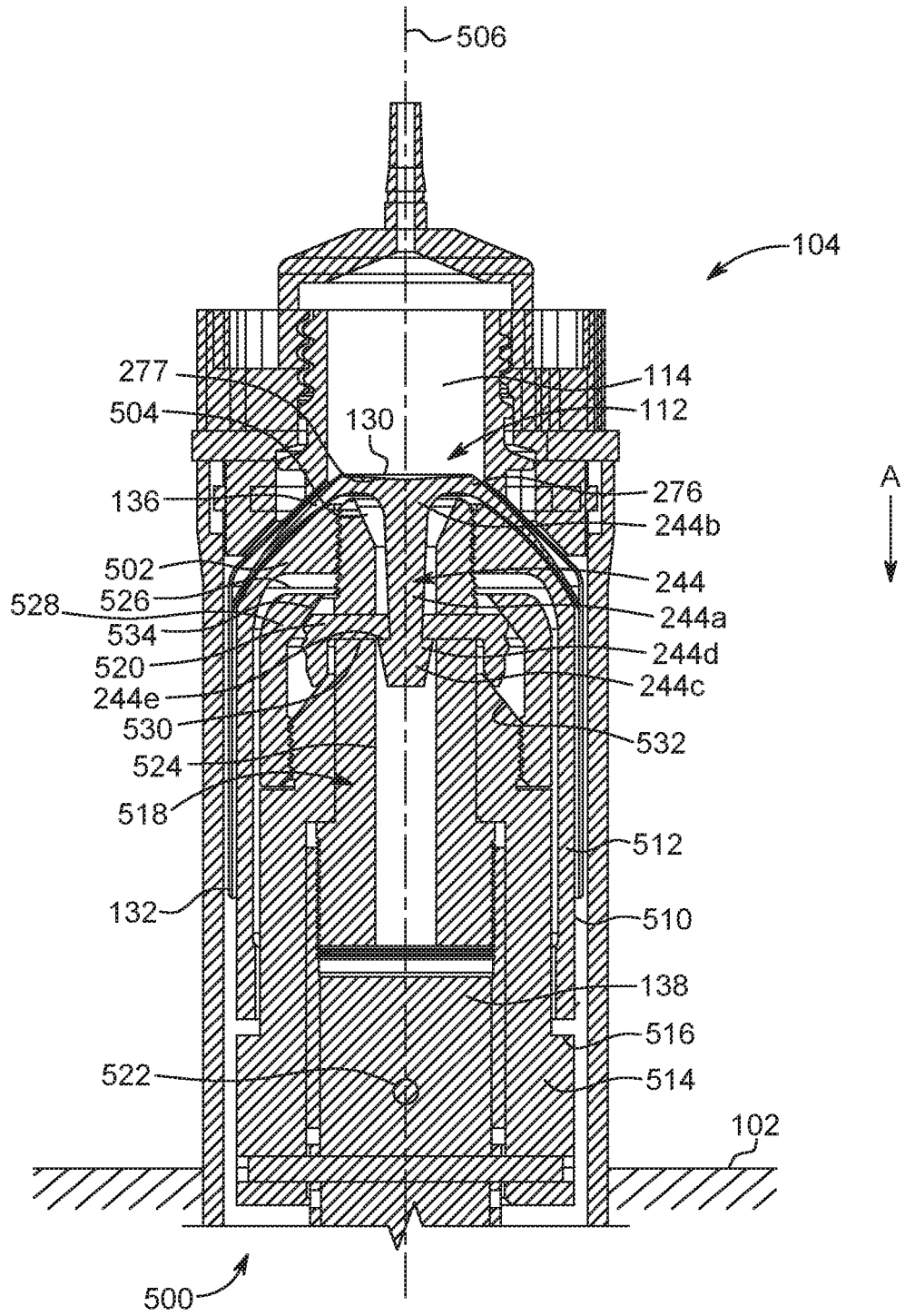


FIG. 7A

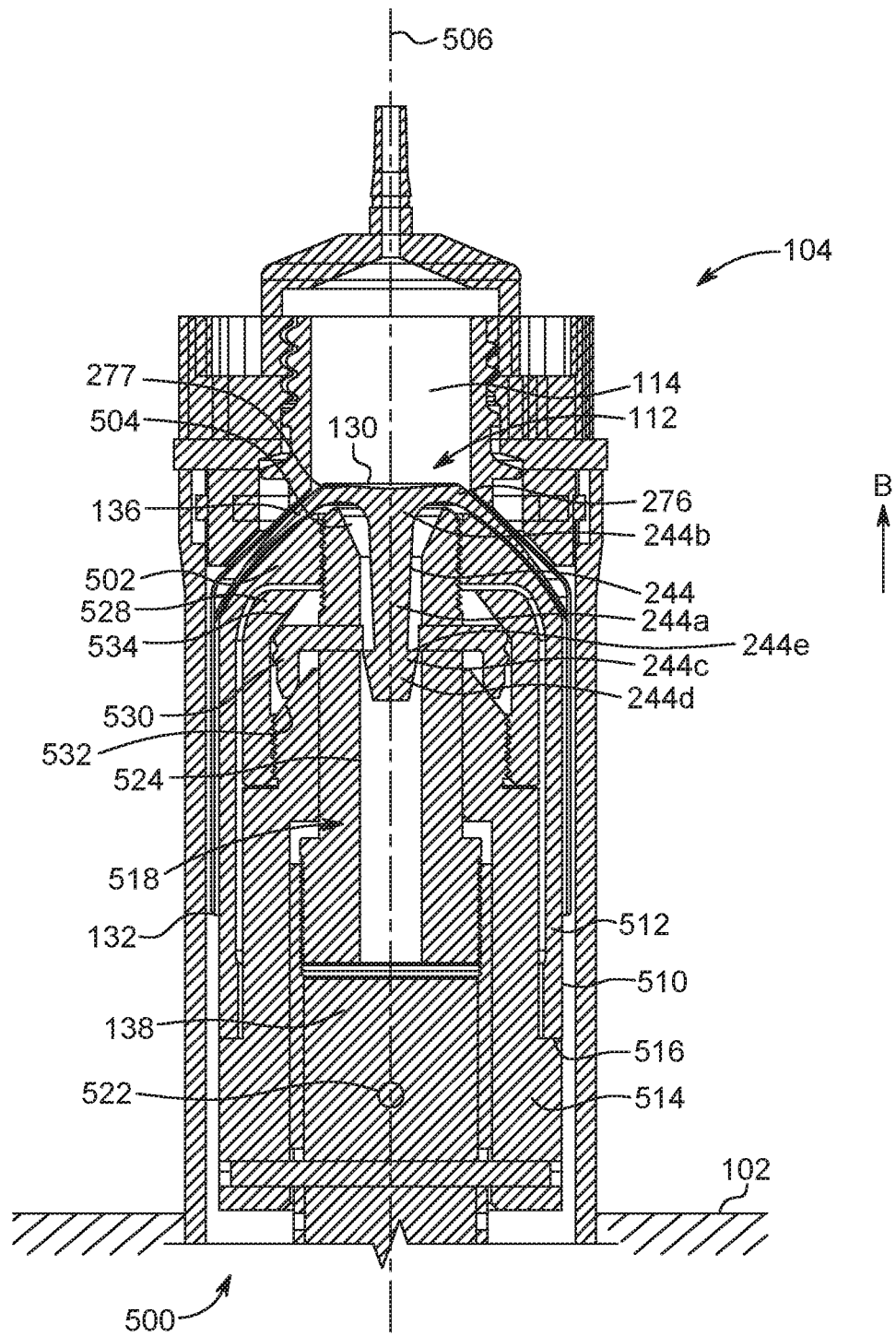


FIG. 7B

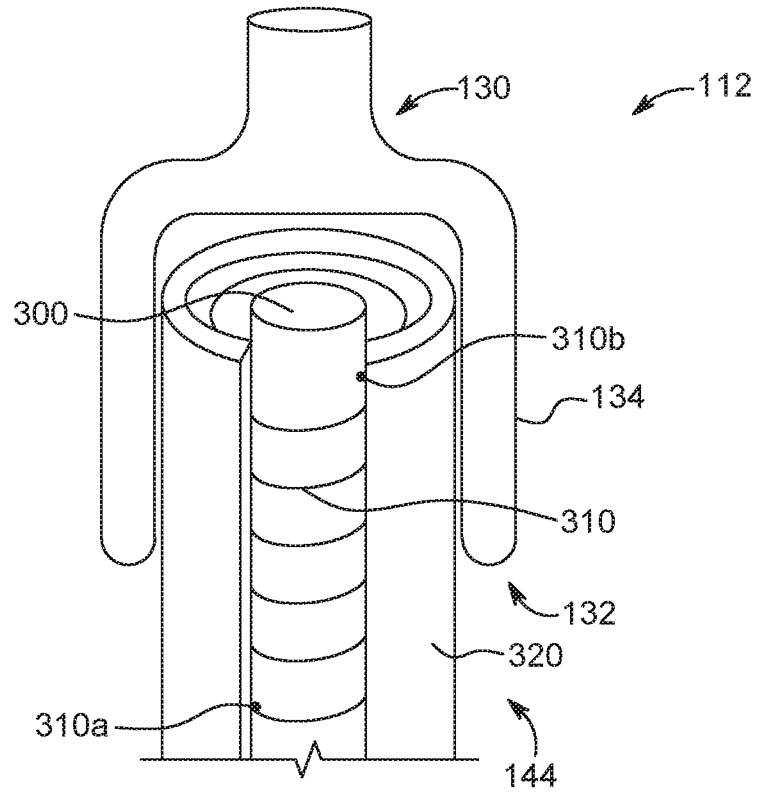


FIG. 8

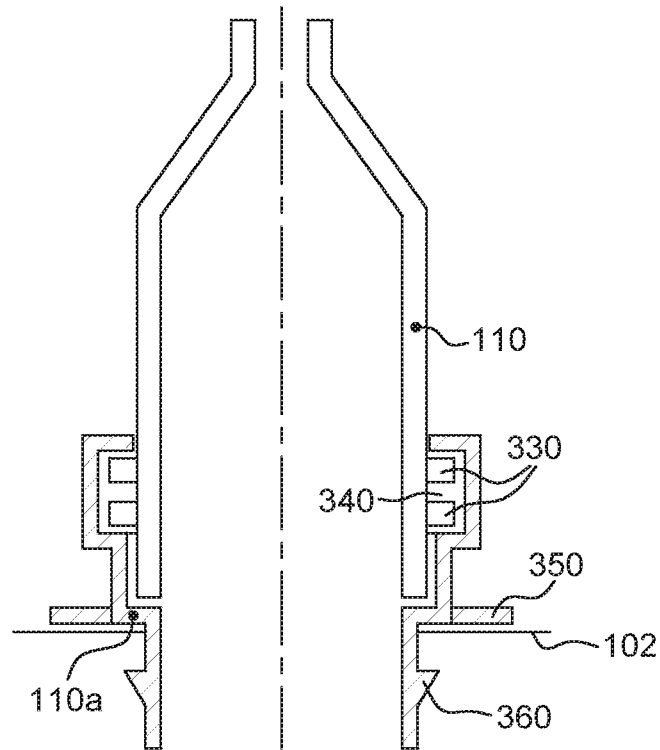


FIG. 9

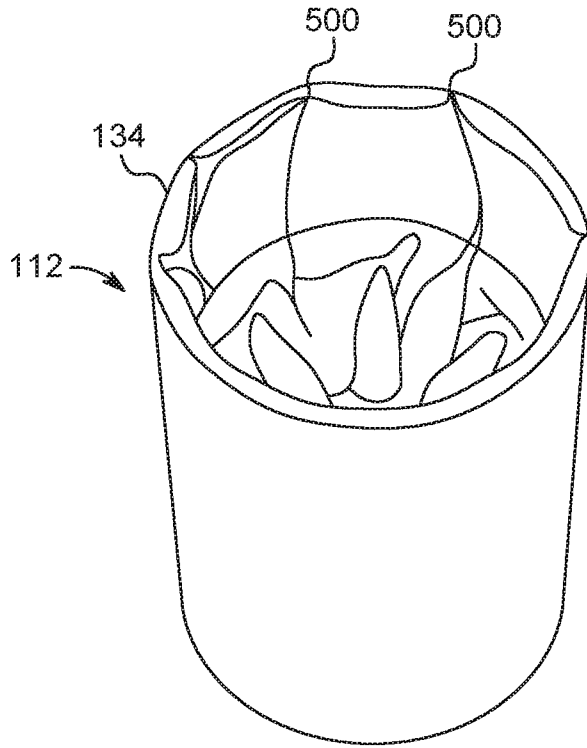


FIG. 10A

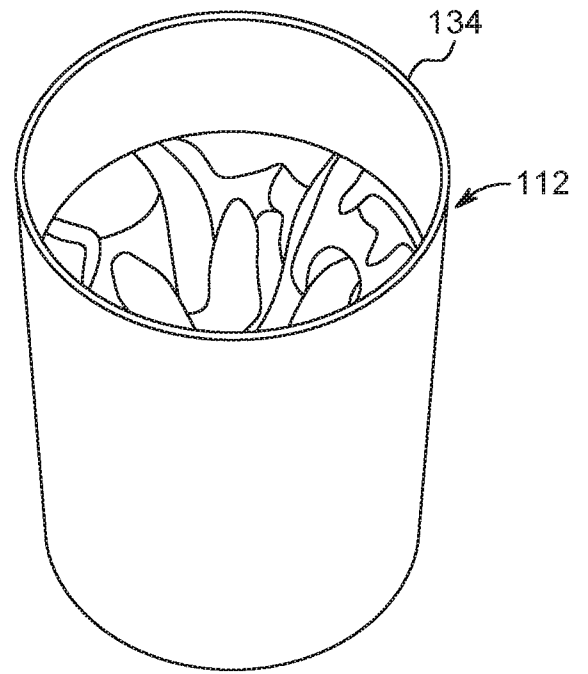


FIG. 10B

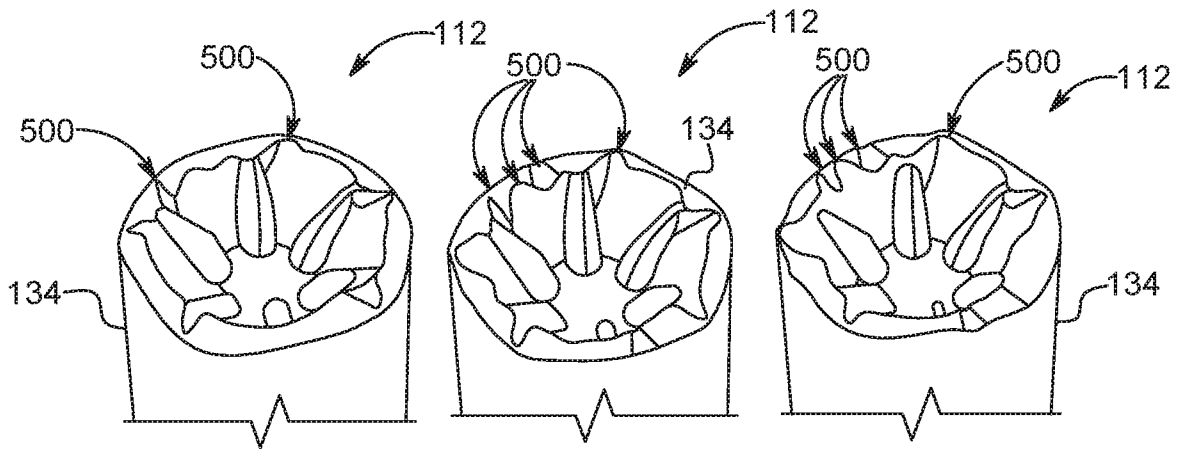


FIG. 11A

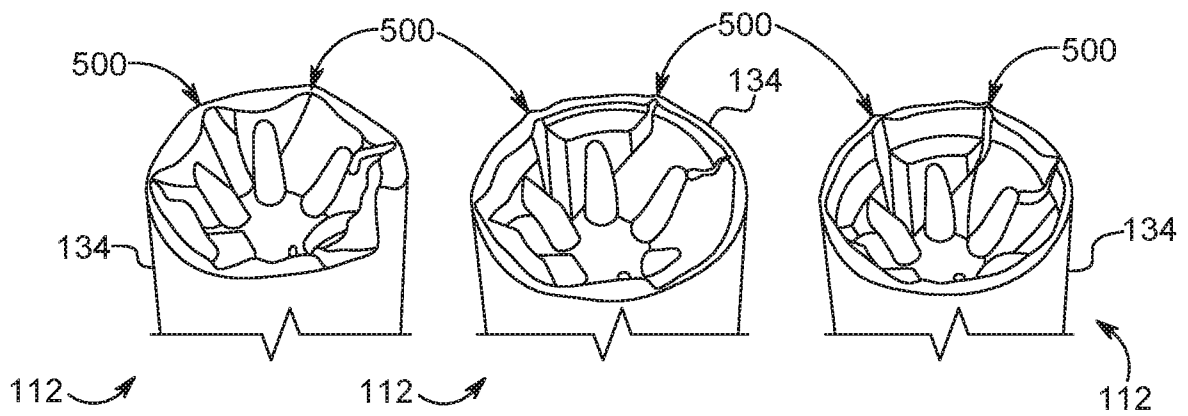


FIG. 11B

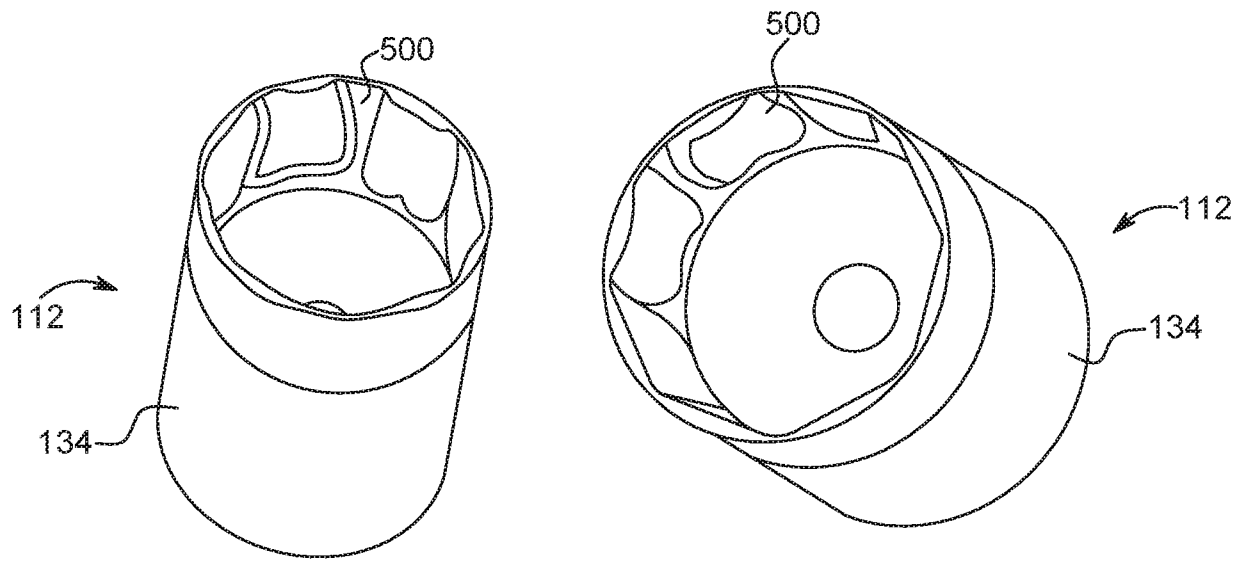


FIG. 12A

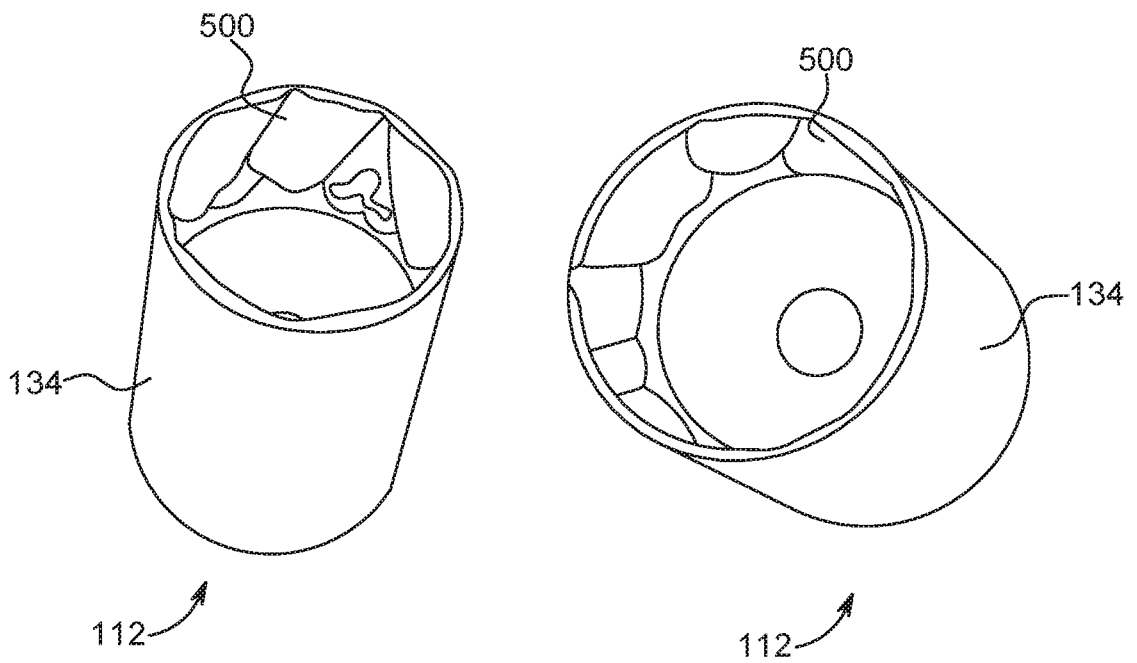


FIG. 12B

INTERNATIONAL SEARCH REPORT

International application No.

PCT/US 16/28824

A. CLASSIFICATION OF SUBJECT MATTER

IPC(8) - A61B 5/15, A61M 5/145, A61M 5/142, A61M 5/148, A61M 5/315 (2016.01)
 CPC - A61B5/15, A61M5/145, A61M5/142, A61M5/148, A61M5/315, A61M5/14546
 According to International Patent Classification (IPC) or to both national classification and IPC

B. FIELDS SEARCHED

Minimum documentation searched (classification system followed by classification symbols)
 IPC (8) A61B 5/15, A61M 5/145, A61M 5/142, A61M 5/148, A61M 5/315 (2016.01)
 CPC: A61B5/15, A61M5/145, A61M5/142, A61M5/148, A61M5/315, A61M5/14546

Documentation searched other than minimum documentation to the extent that such documents are included in the fields searched
 IPC (8) A61B 17/34, A61B 5/15, A61M 5/00, A61M 5/145, A61M 5/142, A61M 5/148, A61M 5/168, A61M 5/24, A61M 5/315 (2016.01)
 CPC: A61B17/34, A61B5/15, A61M5/00, A61M5/145, A61M5/142, A61M5/148, A61M5/168, A61M5/315 (keyword limited; terms below)

Electronic data base consulted during the international search (name of data base and, where practicable, search terms used)
 PatBase; Google Patents; Google Scholar; Google Web;
 Search terms used: Rolling diaphragm syringe bladder spinning piston plunger flexible engagement contact blood medical injector
 pressure jacket sleeve cover pin cap fixed

C. DOCUMENTS CONSIDERED TO BE RELEVANT

Category*	Citation of document, with indication, where appropriate, of the relevant passages	Relevant to claim No.
Y -- A	US 2013/0211248 A1 (Cowan et al.) 15 August 2013 (15.08.2013), entire document, especially Fig. 1, 4, 5, 18A, 37; para[0166]; para[0001]; para[0111]; para[0125]; para[0126]; para[0148]; para[0115];	1, 3, 5, 7-12, 18-20 ----- 2, 4, 6, 13-17
Y -- A	US 2013/0281940 A1 (Gelblum et al.) 24 October 2013 (24.10.2013), entire document, especially Fig. 1A, 6D, 6F, 7A, 7B, 7C; para[0163]; para[0176]; para[0175];	1, 3, 5, 7-12, 18-20 ----- 2, 4, 6, 13-17
A	US 6,620,134 B1 (Trombley, III et al.) 16 September 2003 (16.09.2003), entire document, especially Fig. 1A, 2A; col 3, ln 14-16; col 3, ln 21-25; col 3, ln 33-35;	13-14
A	US 6,152,942 A (Brenneman et al.) 28 November 2000 (28.11.2000), entire document	1-20
A	US 2007/0213636 A1 (Kuriger) 13 September 2007 (13.09.2007), entire document	1-20
A	US 4,437,859 A (Whitehouse et al.) 20 March 1984 (20.03.1984), entire document	1-20
A	US 8,397,577 B2 (Slocum, Sr. et al.) 19 March 2013 (19.03.2013), entire document	1-20
X, P	WO 2015/164783 A1 (BAYER MEDICAL CARE INC.) 29 October 2015 (29.10.2015), entire document	1-20

Further documents are listed in the continuation of Box C.

* Special categories of cited documents:	"T" later document published after the international filing date or priority date and not in conflict with the application but cited to understand the principle or theory underlying the invention
"A" document defining the general state of the art which is not considered to be of particular relevance	"X" document of particular relevance; the claimed invention cannot be considered novel or cannot be considered to involve an inventive step when the document is taken alone
"E" earlier application or patent but published on or after the international filing date	"Y" document of particular relevance; the claimed invention cannot be considered to involve an inventive step when the document is combined with one or more other such documents, such combination being obvious to a person skilled in the art
"L" document which may throw doubts on priority claim(s) or which is cited to establish the publication date of another citation or other special reason (as specified)	"&" document member of the same patent family
"O" document referring to an oral disclosure, use, exhibition or other means	
"P" document published prior to the international filing date but later than the priority date claimed	

Date of the actual completion of the international search 27 June 2016	Date of mailing of the international search report 27 JUL 2016
---	--

Name and mailing address of the ISA/US Mail Stop PCT, Attn: ISA/US, Commissioner for Patents P.O. Box 1450, Alexandria, Virginia 22313-1450 Facsimile No. 571-273-8300	Authorized officer: Lee W. Young PCT Helpdesk: 571-272-4300 PCT OSP: 571-272-7774
---	--