

[54] **LIGHTING FIXTURE**

[75] **Inventor:** Tobias Brown, Oak Park, Ill.  
[73] **Assignee:** Alkco Manufacturing Company,  
Franklin Park, Ill.

[\*\*] **Term:** 14 Years

[21] **Appl. No.:** 890,839

[22] **Filed:** Jul. 28, 1986

[52] **U.S. Cl. ....** D26/85; D26/72

[58] **Field of Search ....** D26/72, 80-92,  
D26/24; 362/432, 362, 370-373, 310, 311, 147

[56] **References Cited**

**U.S. PATENT DOCUMENTS**

D. 267,516 1/1983 Rambusch ..... D26/24 X  
D. 268,441 3/1983 Siff ..... D26/24  
4,323,955 4/1982 Mark ..... 362/310 X

**OTHER PUBLICATIONS**

Nutone Lighting Catalog, 1982, p. 29, Wall Washer  
Lighting Fixture.

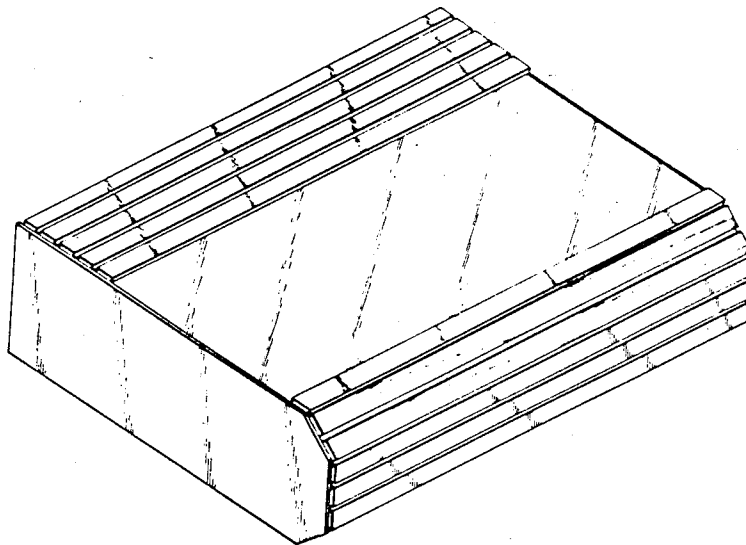
*Primary Examiner*—Susan J. Lucas  
*Attorney, Agent, or Firm*—Pasquale A. Razzano

[57] **CLAIM**

The ornamental design for a lighting fixture, as shown  
and described.

**DESCRIPTION**

FIG. 1 is a top, front perspective view of the lighting  
fixture showing my new design;  
FIG. 2 is a front elevational view thereon on an en-  
larged scale;  
FIG. 3 is a top plan view thereof on an enlarged  
scale;  
FIG. 4 is a side elevational view thereof on an en-  
larged scale;  
FIG. 5 is a bottom plan view thereof on an enlarged  
scale.



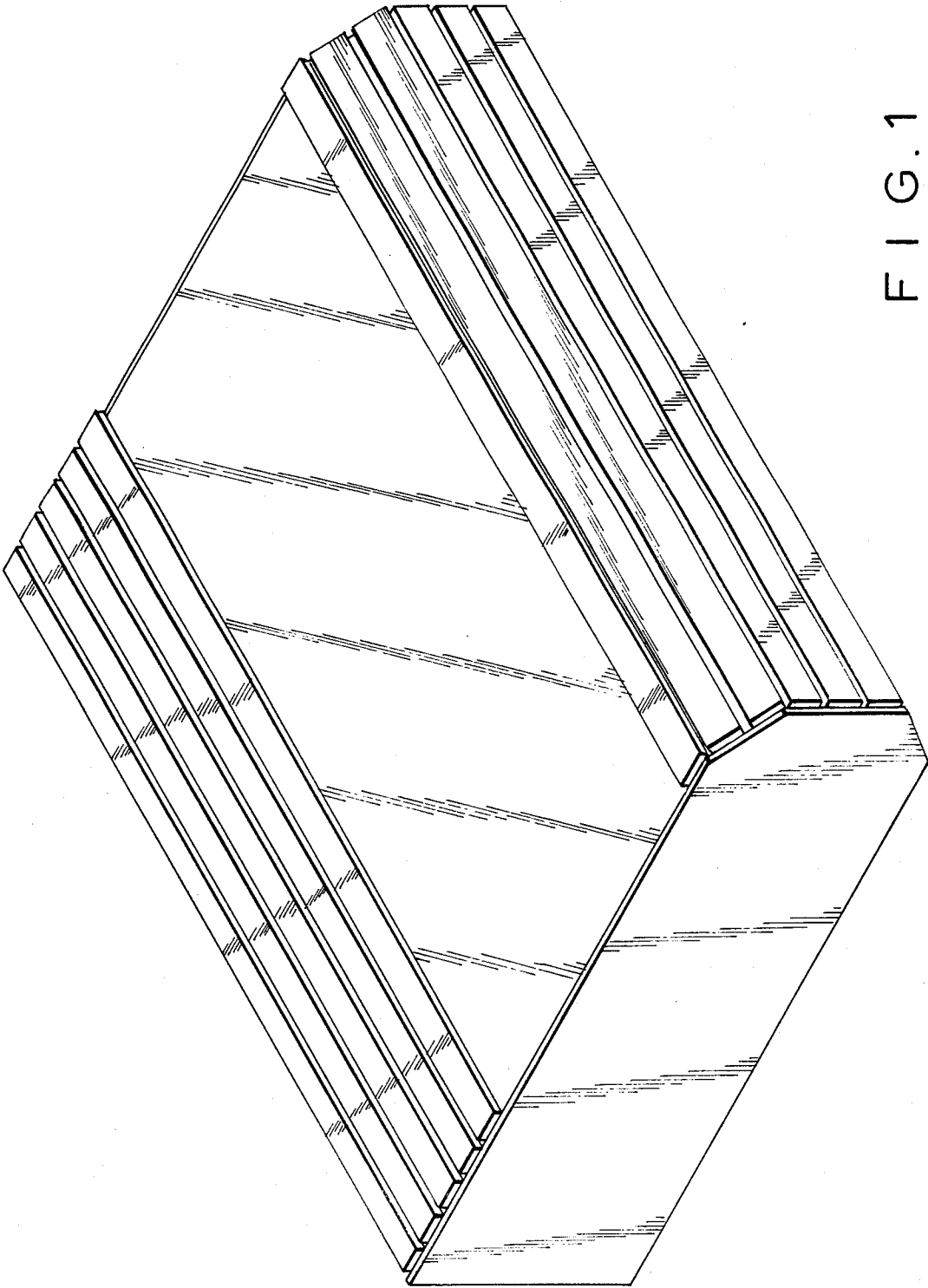


FIG. 1

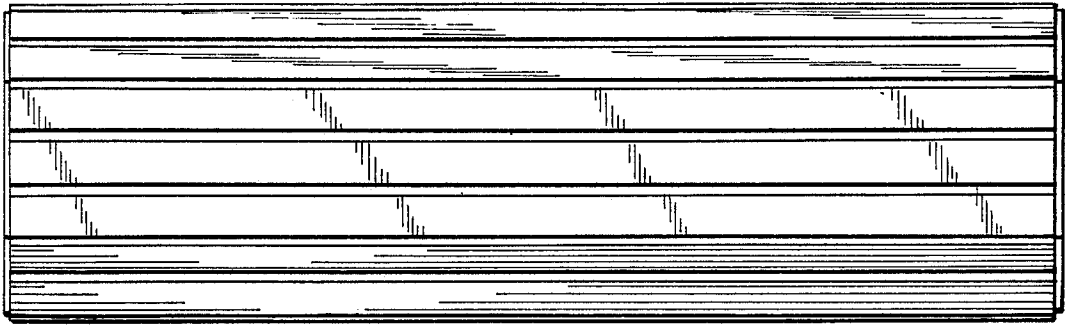


FIG. 2

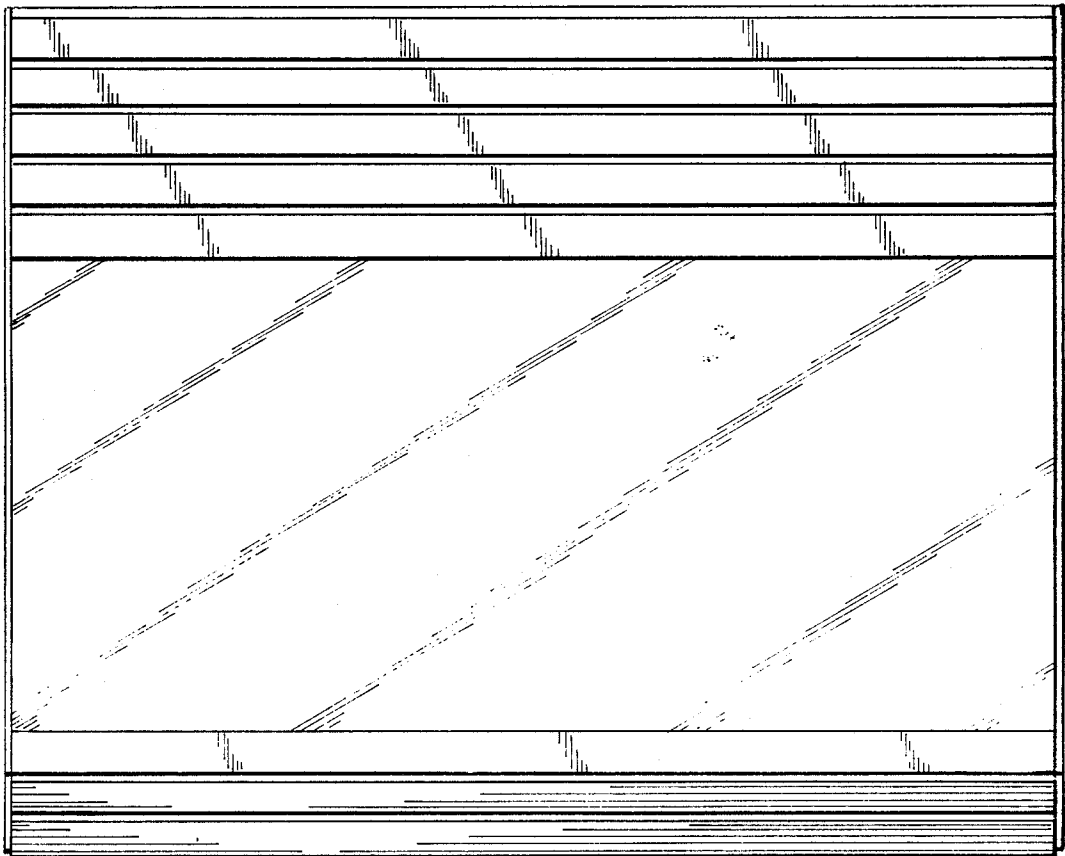


FIG. 3

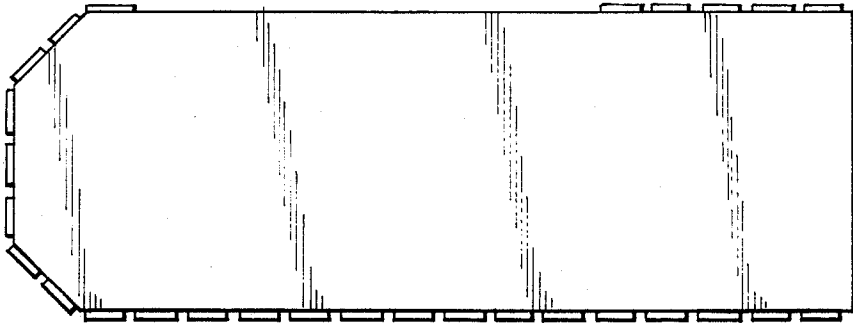


FIG. 4

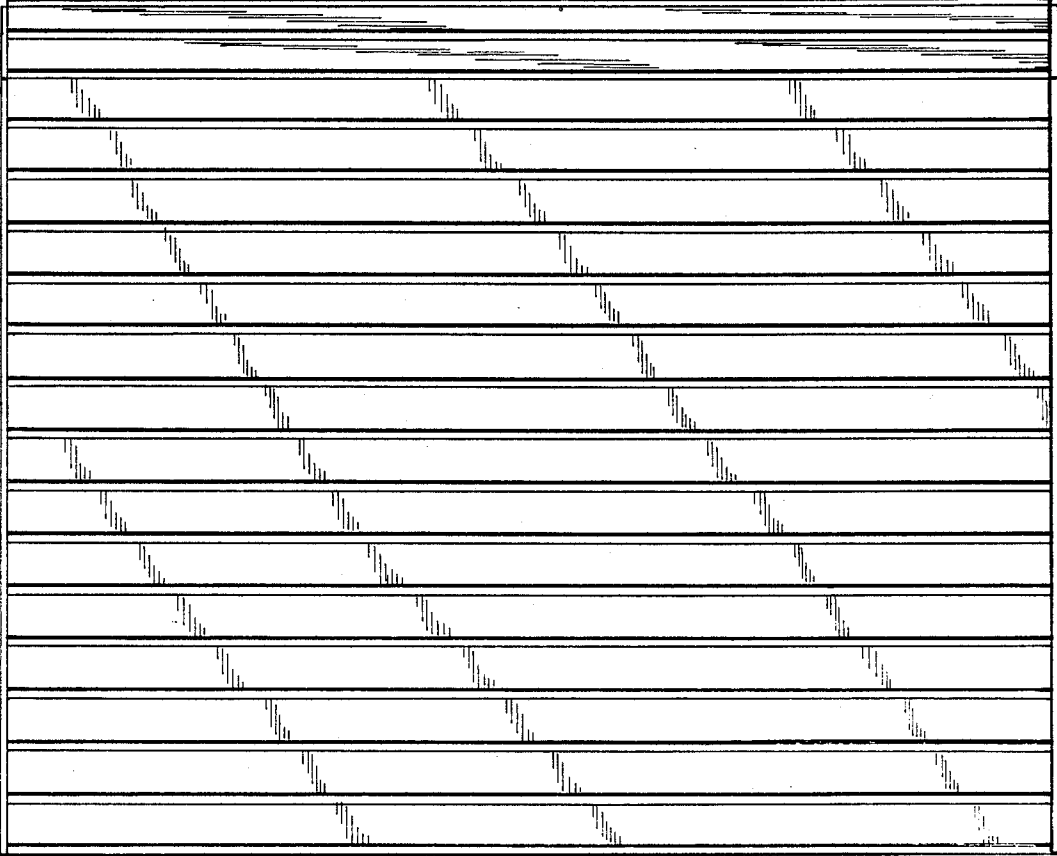


FIG. 5