



US00D477692S

(12) **United States Design Patent** (10) **Patent No.:** **US D477,692 S**  
**Hanna** (45) **Date of Patent:** **\*\* Jul. 22, 2003**

(54) **HARNES SQUARE**

D456,743 S \* 5/2002 Uehara et al. .... D11/218

(75) Inventor: **Tom Hanna**, Wichita, KS (US)

\* cited by examiner

(73) Assignee: **Rose America Corporation**, Wichita, KS (US)

*Primary Examiner*—Pamela Burgess

(74) *Attorney, Agent, or Firm*—Shoemaker and Mattare

(\*\*) Term: **14 Years**

(57) **CLAIM**

The ornamental design for a harness square, as shown and described.

(21) Appl. No.: **29/164,816**

(22) Filed: **Aug. 1, 2002**

**DESCRIPTION**

(51) **LOC (7) Cl.** ..... **30-04**

(52) **U.S. Cl.** ..... **D30/140; D11/218; 54/54**

(58) **Field of Search** ..... D30/138-140, D30/152; D11/216, 218, 200, 231, 234; D2/408, 405, 427; 24/169, 171, 194, 196-200, 614-616, 163 R; 54/34, 54; 119/798

FIG. 1 is a perspective view of a harness square, showing my new design from above;

FIG. 2 is a top plan view thereof;

FIG. 3 is a front elevation thereof;

FIG. 4 is a left side view thereof;

FIG. 5 is a rear elevation thereof;

FIG. 6 is a right side view thereof; and

FIG. 7 is a bottom plan view thereof.

FIG. 8 is a perspective view of a second embodiment of a harness square showing my new design;

FIG. 9 is a top plan view thereof;

FIG. 10 is a front elevation thereof;

FIG. 11 is a left side view thereof;

FIG. 12 is a rear elevation thereof;

FIG. 13 is a right side view thereof; and,

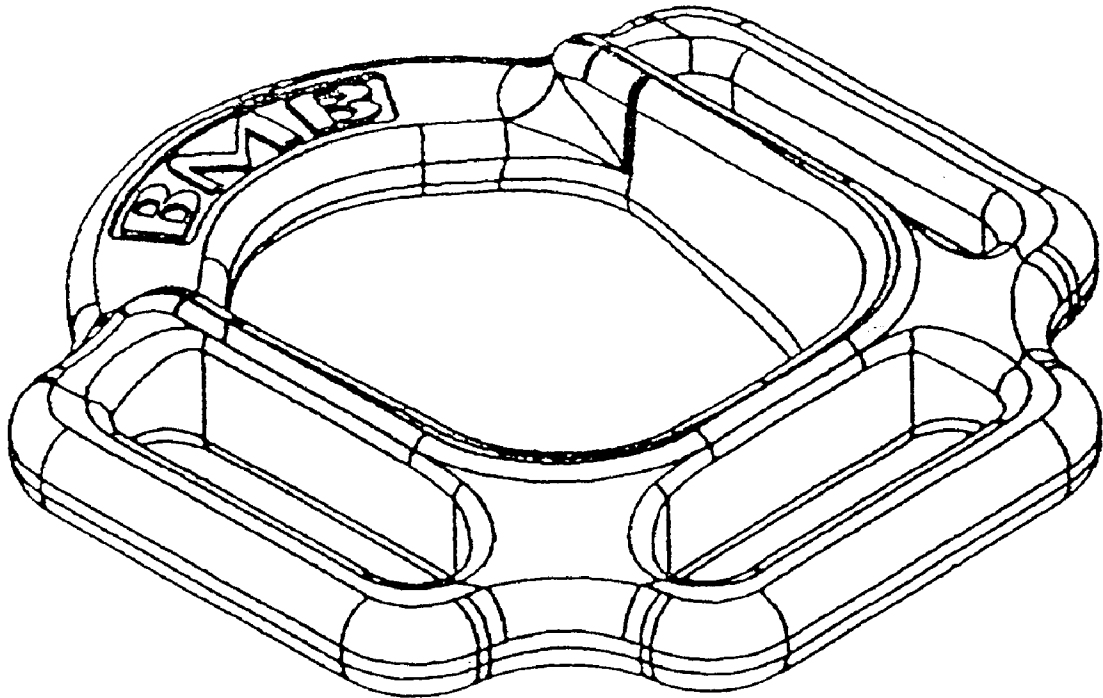
FIG. 14 is a bottom plan view thereof.

(56) **References Cited**

**U.S. PATENT DOCUMENTS**

77,918 A	*	5/1868	Roland	.....	54/54
639,033 A	*	12/1899	Hanke	.....	24/174
971,655 A	*	10/1910	Baird	.....	54/54
D46,398 S	*	9/1914	Fox	.....	D30/140
D62,255 S	*	4/1923	Harpham	.....	D30/140
D233,051 S		10/1974	Craigmyle		
D363,257 S	*	10/1995	Anscher	.....	D11/218
D395,618 S	*	6/1998	Cohen et al.	.....	D11/218

**1 Claim, 4 Drawing Sheets**



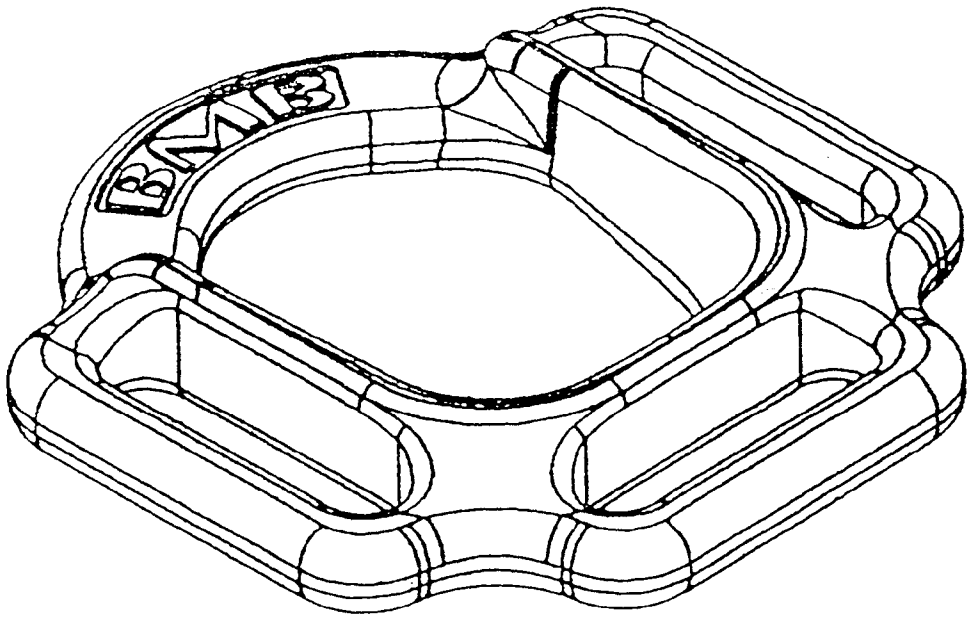


FIG. 1



FIG. 5

FIG. 2



FIG. 4

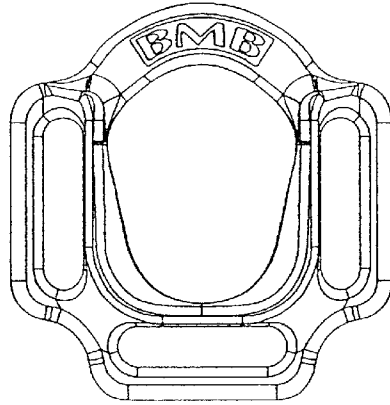


FIG. 3

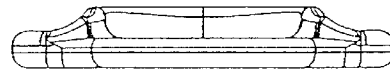


FIG. 6

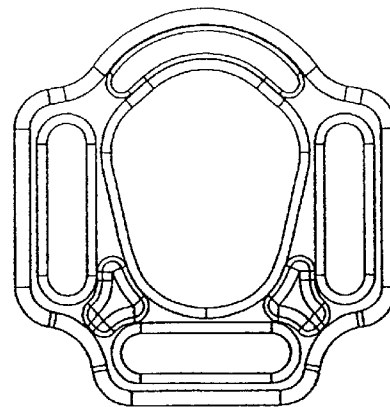


FIG. 7

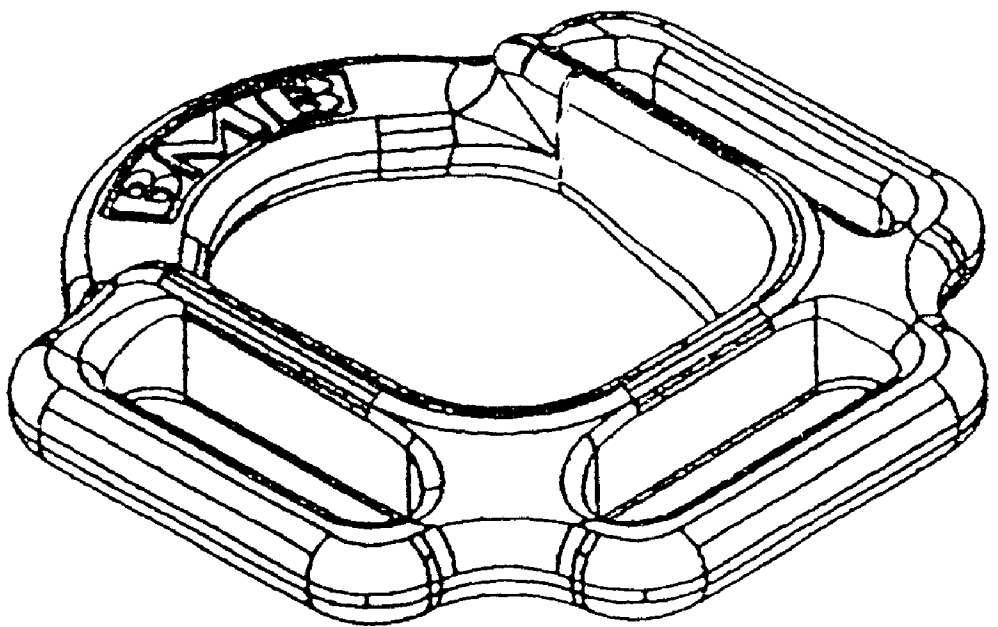


FIG. 8



FIG. 12



FIG. 11

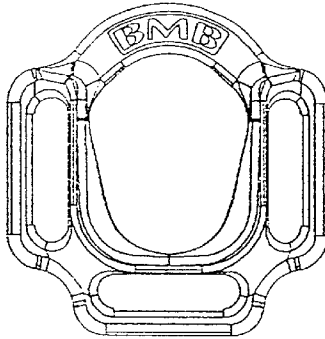


FIG. 9



FIG. 13



FIG. 10

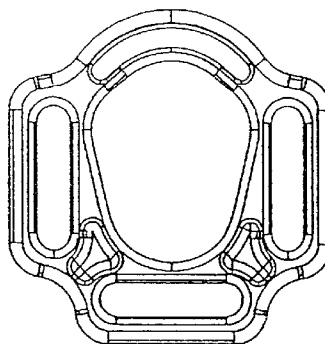


FIG. 14