



US0D1016262S

(12) **United States Design Patent**
Chen

(10) **Patent No.:** **US D1,016,262 S**

(45) **Date of Patent:** **** Feb. 27, 2024**

(54) **FLAT PANEL HEATER**

(71) Applicant: **Shiqing Chen**, Shenzhen (CN)

(72) Inventor: **Shiqing Chen**, Shenzhen (CN)

(**) Term: **15 Years**

(21) Appl. No.: **29/850,738**

(22) Filed: **Aug. 23, 2022**

(51) **LOC (14) Cl.** **23-03**

(52) **U.S. Cl.**
USPC **D23/332; D23/342**

(58) **Field of Classification Search**
USPC D23/314, 317, 329, 330, 331, 332, 333,
D23/334, 335, 336, 337, 338, 339, 340,
D23/342

CPC F24C 3/14; F24C 5/20; F24D 19/06; F24D
19/1084; F24D 15/02; F24D 19/02; F24D
5/00; F24D 15/00; F24D 19/0097

See application file for complete search history.

(56) **References Cited**

U.S. PATENT DOCUMENTS

D22,017	S	*	11/1892	Dewey	D23/335
2,715,668	A	*	8/1955	Booker	F24C 7/043 252/511
D287,751	S	*	1/1987	Hamalainen	D23/314
D532,881	S	*	11/2006	Ching	D23/335
D536,773	S	*	2/2007	Yeung	D23/330
D546,429	S	*	7/2007	Ching	D23/342

D549,309	S	*	8/2007	Stephant	D23/342
D607,093	S	*	12/2009	Yanez	D23/332
D610,663	S	*	2/2010	Yeung	D23/332
D621,016	S	*	8/2010	Garcia	D23/330
D762,290	S	*	7/2016	Jepson	D23/342
D802,107	S	*	11/2017	Schumann	D23/330
D925,711	S	*	7/2021	Deng	D23/334
2010/0303678	A1	*	12/2010	Lockhart	F24H 3/022 422/186.3
2017/0198923	A1	*	7/2017	Vangala	F24D 19/062

* cited by examiner

Primary Examiner — Ania Aman

(74) *Attorney, Agent, or Firm* — Jeenam Park

(57) **CLAIM**

The ornamental design for a flat panel heater, as shown and described.

DESCRIPTION

FIG. 1 is a front, right and top perspective view of a flat panel heater, showing my new design;

FIG. 2 is a rear, left and bottom perspective view thereof;

FIG. 3 is a front view thereof;

FIG. 4 is a rear view thereof;

FIG. 5 is a left side view thereof;

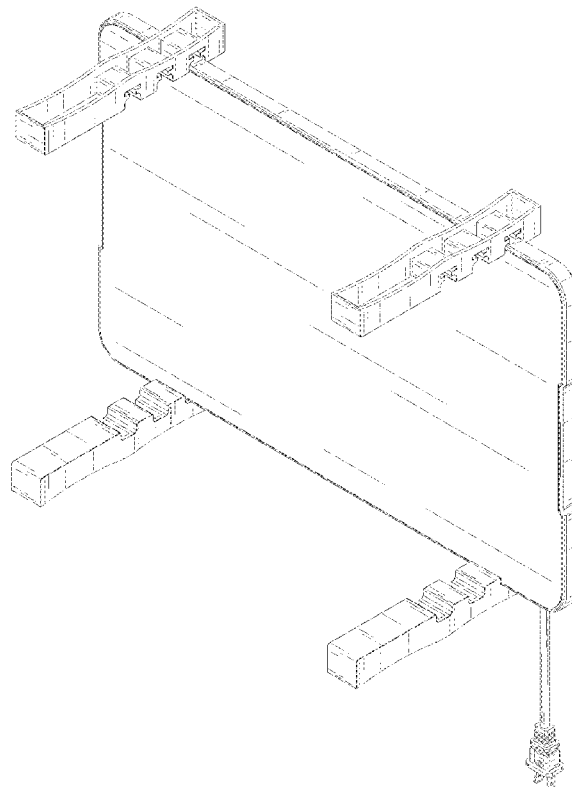
FIG. 6 is a right side view thereof;

FIG. 7 is a top plan view thereof; and,

FIG. 8 is a bottom plan view thereof.

The broken lines shown in the drawings illustrate portions of the flat panel heater that form no part of the claimed design.

1 Claim, 8 Drawing Sheets



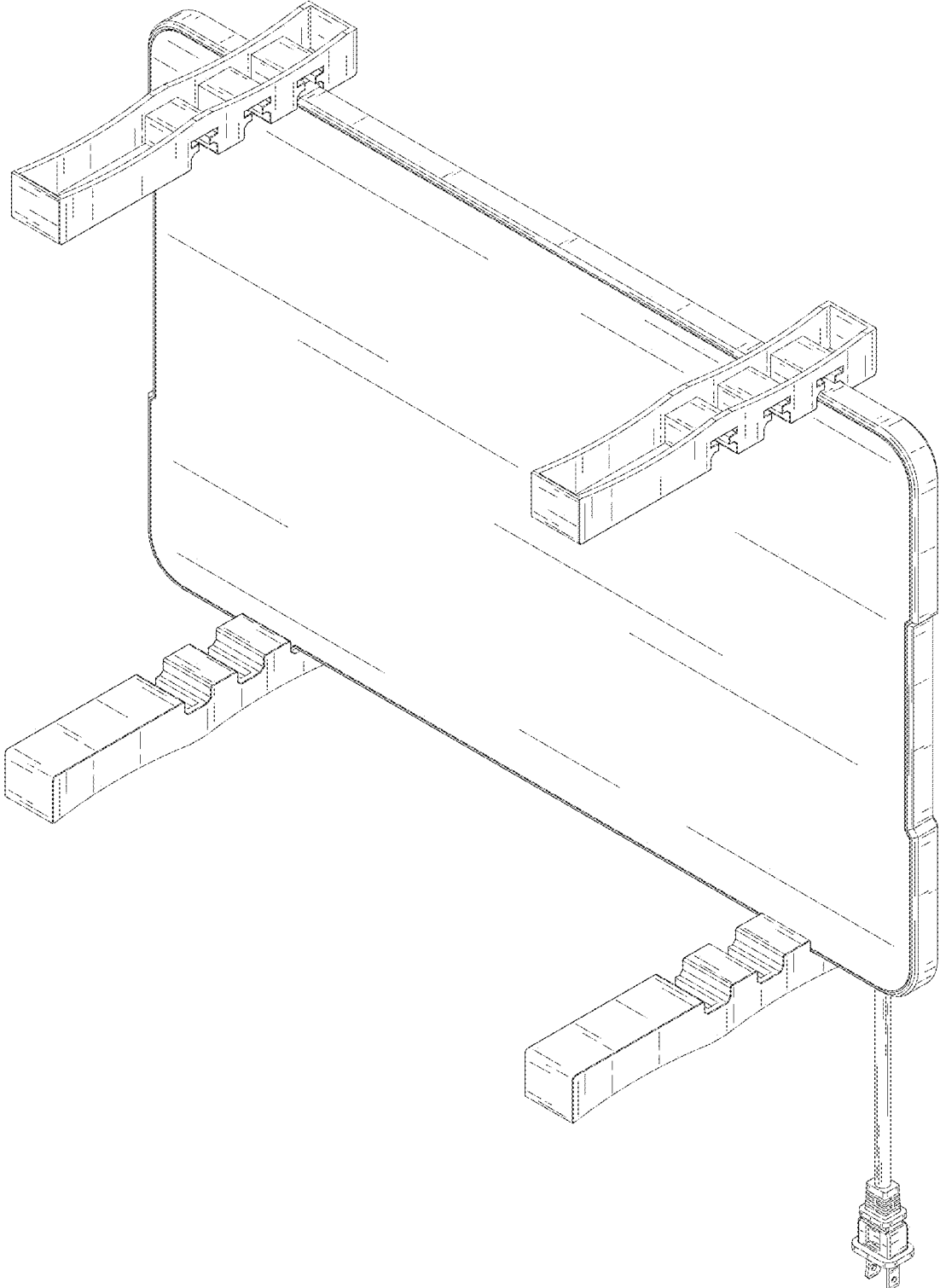


FIG. 1

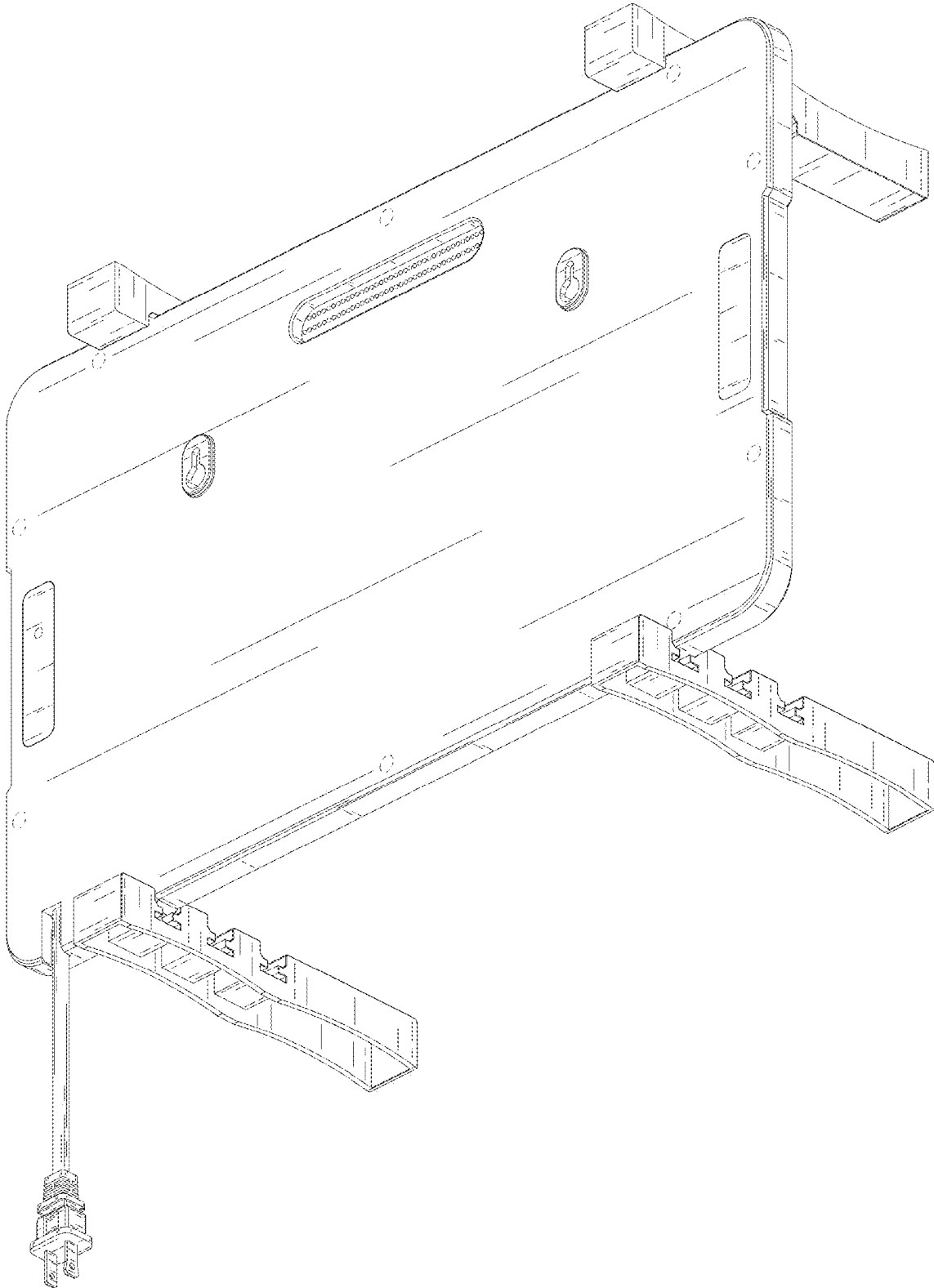


FIG. 2

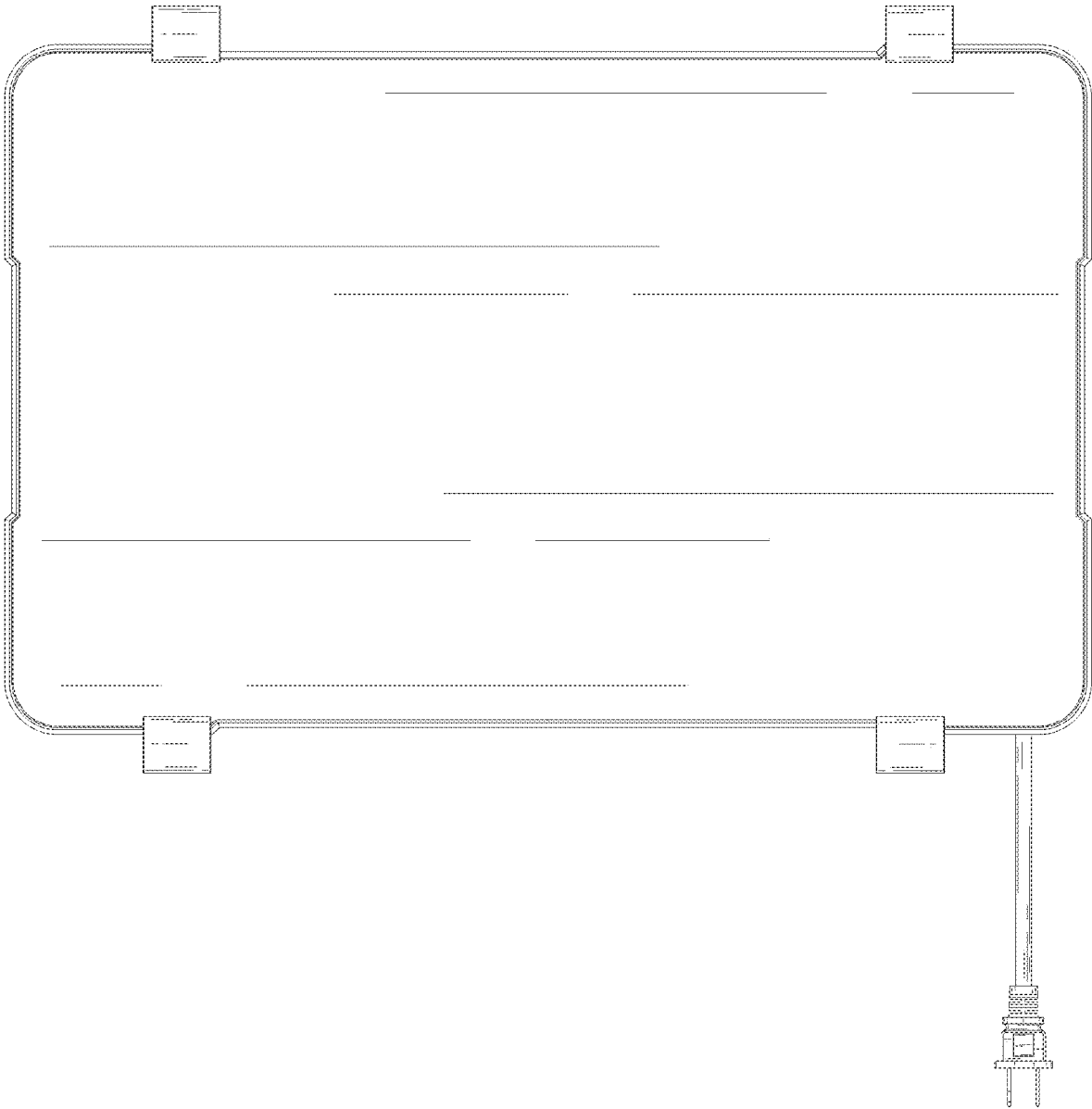


FIG. 3

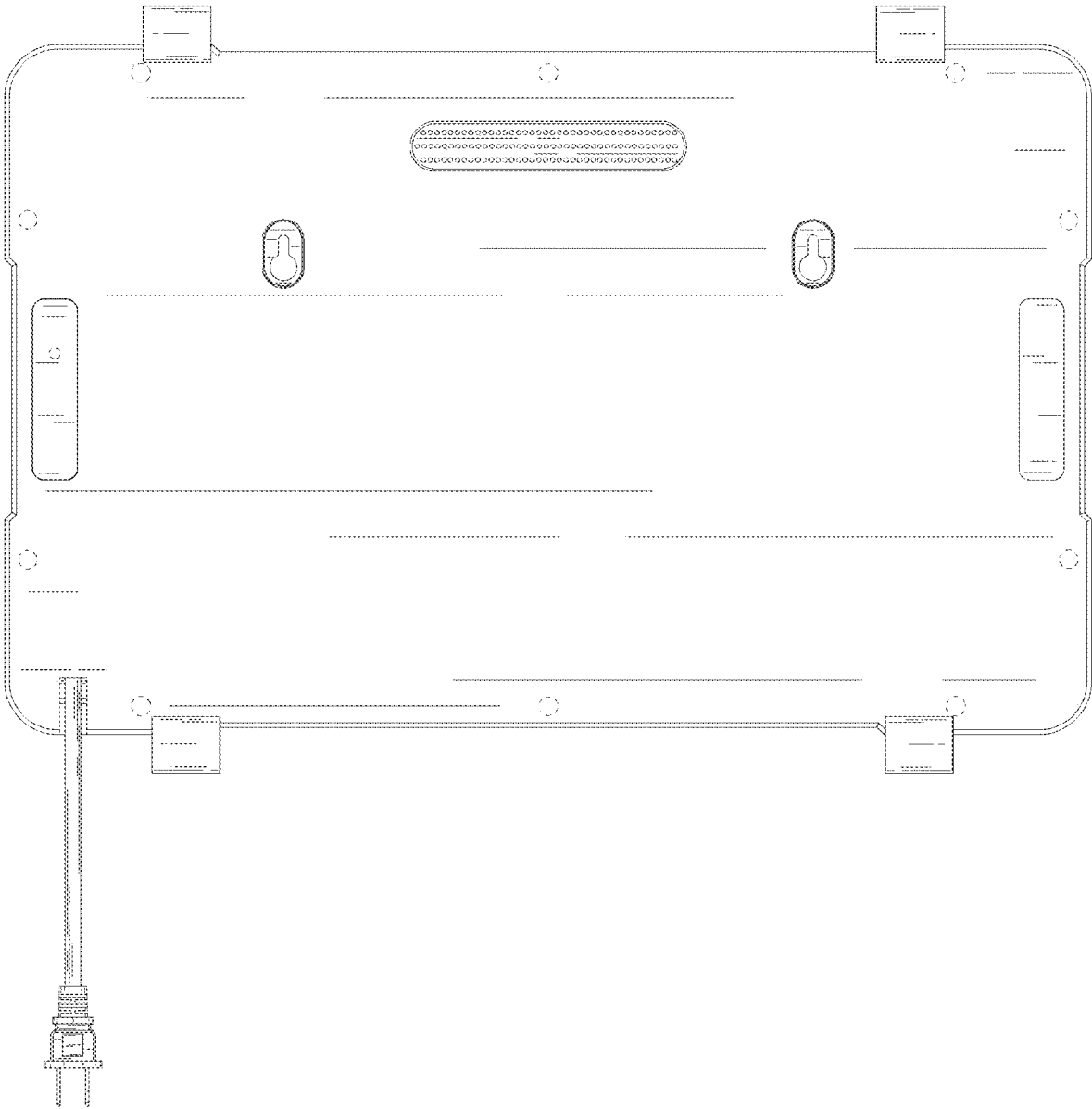


FIG. 4

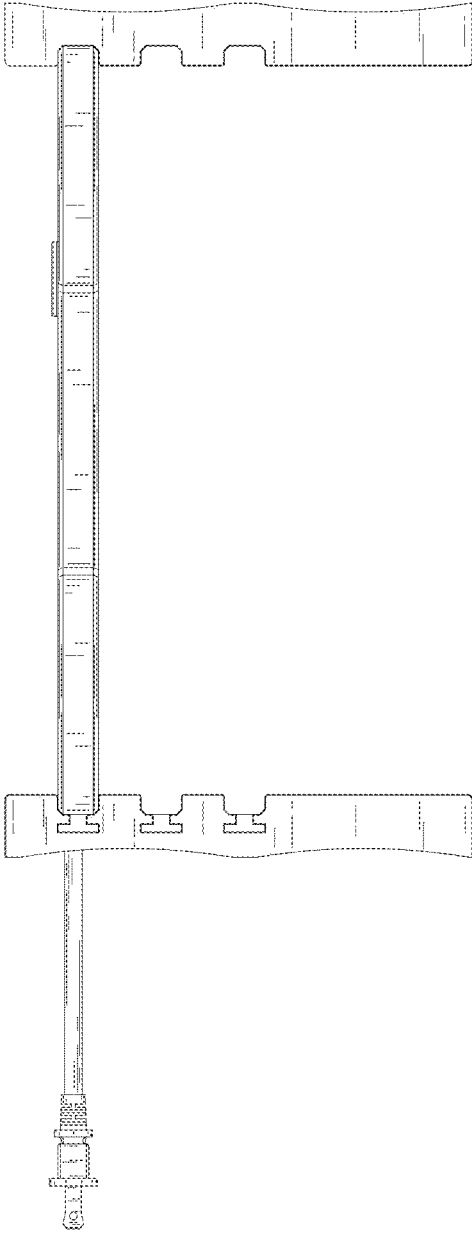


FIG. 5

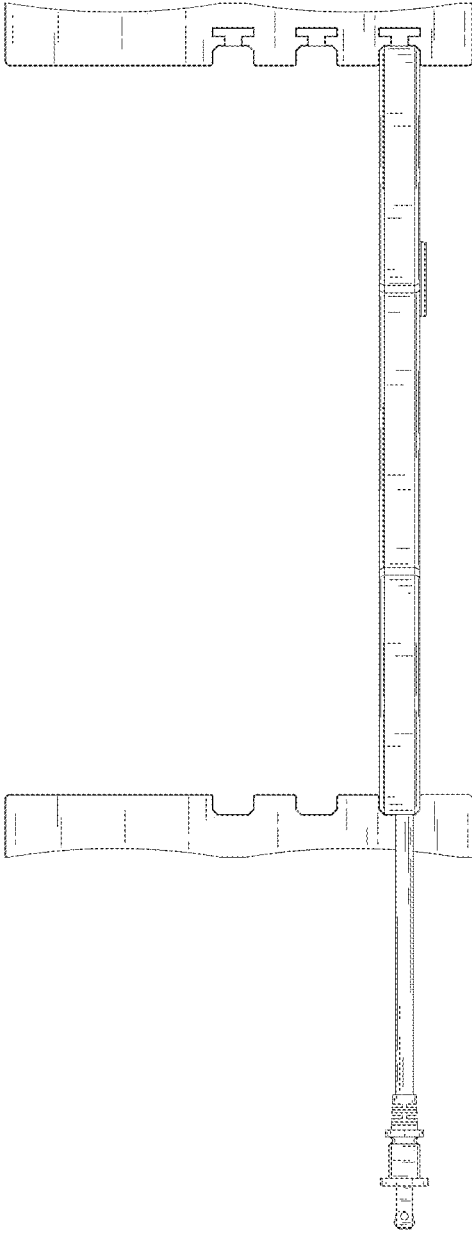


FIG. 6

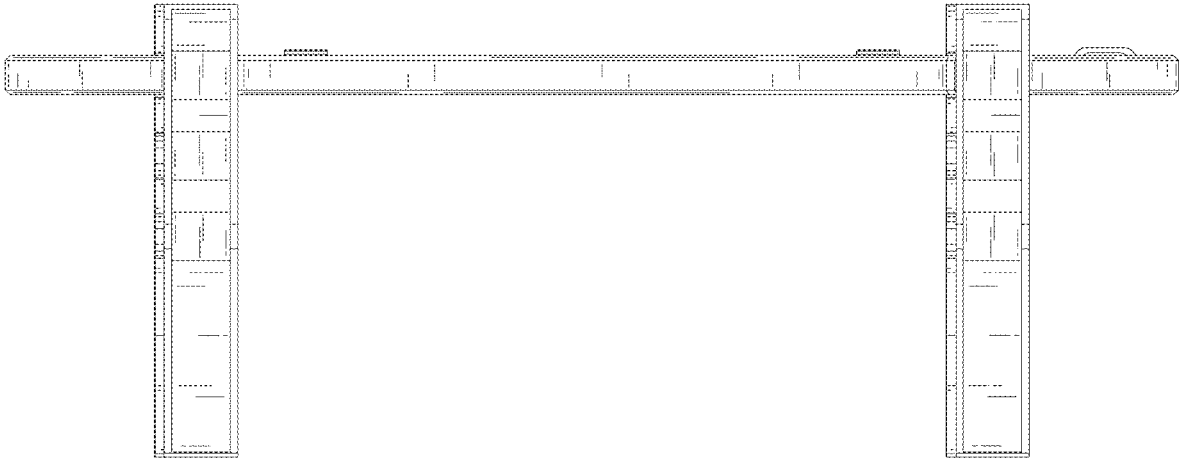


FIG. 7

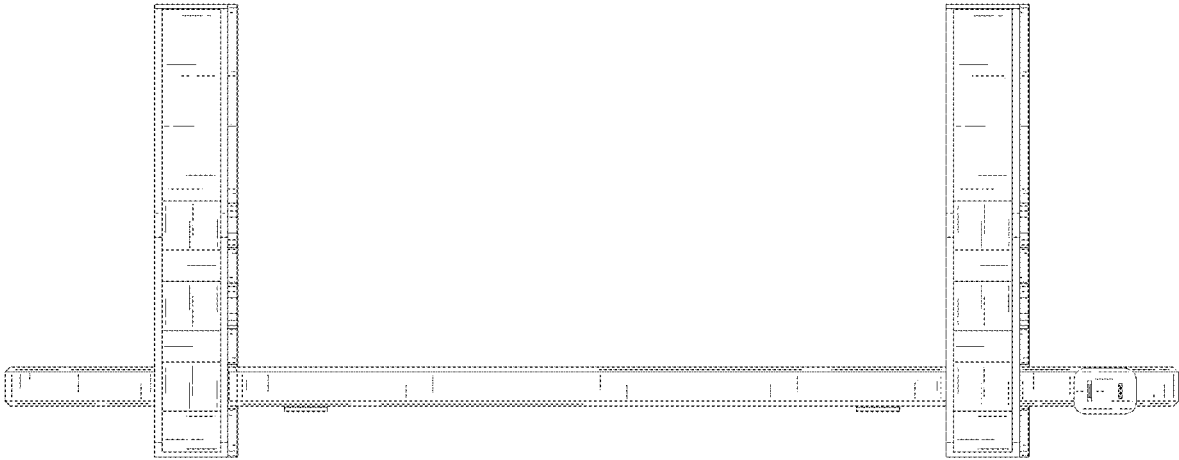


FIG. 8