

(19) World Intellectual Property Organization
International Bureau



(43) International Publication Date
26 September 2002 (26.09.2002)

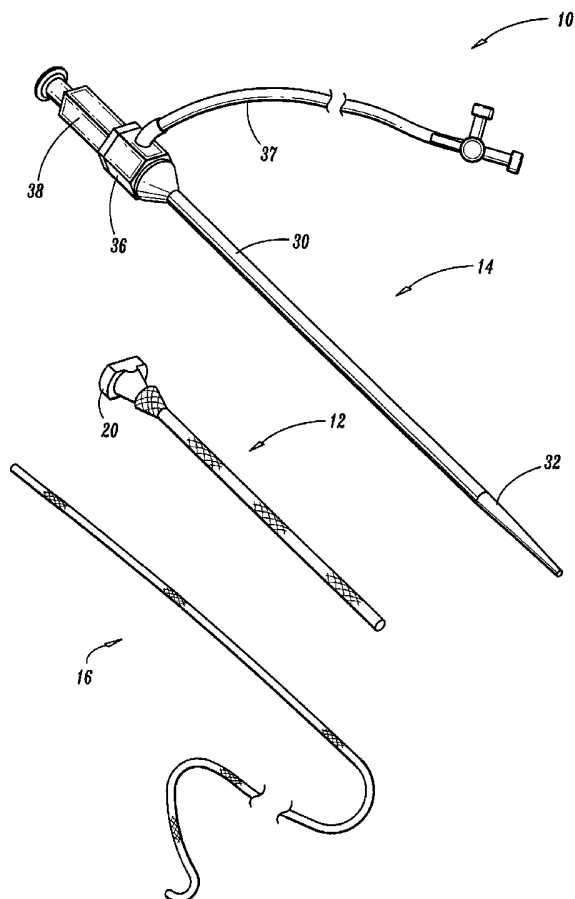
PCT

(10) International Publication Number
WO 02/074174 A3

- (51) International Patent Classification⁷: **A61B 17/34**
- (21) International Application Number: PCT/US01/44652
- (22) International Filing Date:
28 November 2001 (28.11.2001)
- (25) Filing Language: English
- (26) Publication Language: English
- (30) Priority Data:
09/735,282 11 December 2000 (11.12.2000) US
- (71) Applicant (for all designated States except US): **INNER-DYNE, INC.** [US/US]; 150 Glover Avenue, Norwalk, CT 06856 (US).
- (72) Inventors; and
- (75) Inventors/Applicants (for US only): **MACKENZIE, Andrew, J.** [US/US]; 3730 Miramesa Court #124, Santa Clara, CA 95051 (US). **CARLSON, John, E.** [US/US]; 6088 Glenn Harbor Drive, Sand Jose, CA 95123 (US).
- (74) Agents: **MEAGHER, Edward** et al.; Carter, DeLuca, Farrell & Schmidt, LLP, 445 Broad Hollow Road., Suite 225, Melville, NY, NY 11747 (US).
- (81) Designated States (national): AE, AG, AL, AM, AT, AU, AZ, BA, BB, BG, BR, BY, BZ, CA, CH, CN, CO, CR, CU, CZ, DE, DK, DM, DZ, EC, EE, ES, FI, GB, GD, GE, GH, GM, HR, HU, ID, IL, IN, IS, JP, KE, KG, KP, KR, KZ, LC, LK, LR, LS, LT, LU, LV, MA, MD, MG, MK, MN, MW, MX, MZ, NO, NZ, OM, PH, PL, PT, RO, RU, SD, SE, SG, SI, SK, SL, TJ, TM, TR, TT, TZ, UA, UG, US, UZ, VN, YU, ZA, ZM, ZW.

[Continued on next page]

(54) Title: SYSTEM AND METHOD FOR ESTABLISHING VASCULAR ACCESS



(57) Abstract: Systems, kits, and methods for establishing vascular access are described. A system may include a needle, a radially expandable sleeve and a dilator. The methods include creating an initial tissue tract to a target blood vessel with a radially expandable sleeve mounted on a needle. Upon removal of the needle, the dilator is then passed through the radially expandable sleeve to effect radial expansion of the sleeve. Use of the sleeve reduces the risk of injuring tissue surrounding the tissue tract by lessening the axial forces imparted to the tissue. Kits comprise at least the radially expandable sleeve together with instructions for use.



WO 02/074174 A3



(84) Designated States (regional): ARIPO patent (GH, GM, KE, LS, MW, MZ, SD, SL, SZ, TZ, UG, ZM, ZW), Eurasian patent (AM, AZ, BY, KG, KZ, MD, RU, TJ, TM), European patent (AT, BE, CH, CY, DE, DK, ES, FI, FR, GB, GR, IE, IT, LU, MC, NL, PT, SE, TR), OAPI patent (BF, BJ, CF, CG, CI, CM, GA, GN, GQ, GW, ML, MR, NE, SN, TD, TG).

(88) Date of publication of the international search report:
21 November 2002

For two-letter codes and other abbreviations, refer to the "Guidance Notes on Codes and Abbreviations" appearing at the beginning of each regular issue of the PCT Gazette.

Published:

— *with international search report*

INTERNATIONAL SEARCH REPORT

International Application No

PC 17/ JS 01/44652

A. CLASSIFICATION OF SUBJECT MATTER IPC 7 A61B17/34		
According to International Patent Classification (IPC) or to both national classification and IPC		
B. FIELDS SEARCHED		
Minimum documentation searched (classification system followed by classification symbols) IPC 7 A61B		
Documentation searched other than minimum documentation to the extent that such documents are included in the fields searched		
Electronic data base consulted during the international search (name of data base and, where practical, search terms used) EPO-Internal		
C. DOCUMENTS CONSIDERED TO BE RELEVANT		
Category °	Citation of document, with indication, where appropriate, of the relevant passages	Relevant to claim No.
X	WO 99 06094 A (ENDOVASCULAR TECH INC) 11 February 1999 (1999-02-11) abstract page 24, line 17 -page 26, line 2; figures 1-4 ---	26-63
A	WO 98 19730 A (SHERWOOD MEDICAL CO) 14 May 1998 (1998-05-14) page 1, line 27 -page 2, line 5 page 8, line 3 -page 11, line 12; figure 1 ---	30
A	US 5 814 058 A (TSUJI CRAIG K ET AL) 29 September 1998 (1998-09-29) cited in the application abstract; figure 1 --- -/--	30
<input checked="" type="checkbox"/> Further documents are listed in the continuation of box C.		
<input checked="" type="checkbox"/> Patent family members are listed in annex.		
° Special categories of cited documents :		
A document defining the general state of the art which is not considered to be of particular relevance *E* earlier document but published on or after the international filing date *L* document which may throw doubts on priority claim(s) or which is cited to establish the publication date of another citation or other special reason (as specified) *O* document referring to an oral disclosure, use, exhibition or other means *P* document published prior to the international filing date but later than the priority date claimed	*T* later document published after the international filing date or priority date and not in conflict with the application but cited to understand the principle or theory underlying the invention *X* document of particular relevance; the claimed invention cannot be considered novel or cannot be considered to involve an inventive step when the document is taken alone *Y* document of particular relevance; the claimed invention cannot be considered to involve an inventive step when the document is combined with one or more other such documents, such combination being obvious to a person skilled in the art. *&* document member of the same patent family	
Date of the actual completion of the international search 25 July 2002	Date of mailing of the international search report 31/07/2002	
Name and mailing address of the ISA European Patent Office, P.B. 5818 Patentlaan 2 NL - 2280 HV Rijswijk Tel. (+31-70) 340-2040, Tx. 31 651 epo nl, Fax: (+31-70) 340-3016	Authorized officer Moers, R	

INTERNATIONAL SEARCH REPORT

International Application No

PCT/US 01/44652

C.(Continuation) DOCUMENTS CONSIDERED TO BE RELEVANT

Category °	Citation of document, with indication, where appropriate, of the relevant passages	Relevant to claim No.
A	US 5 454 790 A (DUBRUL WILLIAM R) 3 October 1995 (1995-10-03) abstract; figure 17 -----	26

INTERNATIONAL SEARCH REPORT

International application No.
PCT/US 01/44652

Box I Observations where certain claims were found unsearchable (Continuation of item 1 of first sheet)

This International Search Report has not been established in respect of certain claims under Article 17(2)(a) for the following reasons:

1. Claims Nos.: 1-25
because they relate to subject matter not required to be searched by this Authority, namely:
Rule 39.1(iv) PCT - Method for treatment of the human or animal body by surgery
2. Claims Nos.:
because they relate to parts of the International Application that do not comply with the prescribed requirements to such an extent that no meaningful International Search can be carried out, specifically:
3. Claims Nos.:
because they are dependent claims and are not drafted in accordance with the second and third sentences of Rule 6.4(a).

Box II Observations where unity of invention is lacking (Continuation of item 2 of first sheet)

This International Searching Authority found multiple inventions in this international application, as follows:

1. As all required additional search fees were timely paid by the applicant, this International Search Report covers all searchable claims.
2. As all searchable claims could be searched without effort justifying an additional fee, this Authority did not invite payment of any additional fee.
3. As only some of the required additional search fees were timely paid by the applicant, this International Search Report covers only those claims for which fees were paid, specifically claims Nos.:
4. No required additional search fees were timely paid by the applicant. Consequently, this International Search Report is restricted to the invention first mentioned in the claims; it is covered by claims Nos.:

Remark on Protest

- The additional search fees were accompanied by the applicant's protest.
- No protest accompanied the payment of additional search fees.

INTERNATIONAL SEARCH REPORT

Information on patent family members

International Application No

PCT/US 01/44652

Patent document cited in search report	A	Publication date	Patent family member(s)	Publication date
WO 9906094	A	11-02-1999	US 5935122 A	10-08-1999
			AU 8677498 A	22-02-1999
			WO 9906094 A1	11-02-1999
			US 6197016 B1	06-03-2001
WO 9819730	A	14-05-1998	AU 5000297 A	29-05-1998
			WO 9819730 A1	14-05-1998
US 5814058	A	29-09-1998	US 6080174 A	27-06-2000
			US 5431676 A	11-07-1995
			EP 0956060 A1	17-11-1999
			WO 9806448 A1	19-02-1998
			US 6325812 B1	04-12-2001
			US 2001039430 A1	08-11-2001
			AU 6359094 A	26-09-1994
			EP 0688182 A1	27-12-1995
			JP 8507238 T	06-08-1996
			WO 9420026 A1	15-09-1994
US 5454790	A	03-10-1995	AU 2476495 A	29-11-1995
			EP 0843569 A1	27-05-1998
			JP 9512732 T	22-12-1997
			WO 9530449 A1	16-11-1995