



US00D932811S

(12) **United States Design Patent**
Li

(10) **Patent No.:** **US D932,811 S**

(45) **Date of Patent:** **** Oct. 12, 2021**

(54) **DESK**

(71) Applicant: **Homy Casa Limited**, Hong Kong (HK)

(72) Inventor: **YueHai Li**, Guangzhou (CN)

(73) Assignee: **HOMY CASA LIMITED**, Hong Kong (HK)

(**) Term: **15 Years**

(21) Appl. No.: **29/701,104**

(22) Filed: **Aug. 8, 2019**

(51) **LOC (13) Cl.** **06-03**

(52) **U.S. Cl.**
USPC **D6/644**; D6/641; D6/656.13

(58) **Field of Classification Search**
USPC D6/641, 642, 644, 647, 656, 656.1,
D6/656.12, 656.13–656.19, 685, 686, 691,
D6/691.1–691.9
CPC A47B 7/00; A47B 13/00; A47B 13/02;
A47B 13/04; A47B 13/06; A47B 13/08;
A47B 13/10; A47B 13/12; A47B 17/00;
A47B 17/003; A47B 17/006; A47B
17/33; A47B 17/06; A47B 21/00; A47B
21/0314; A47B 2021/0307; A47B
2021/0321; A47B 2021/0335; A47B
2021/0364; A47B 2200/0001; A47B
2200/0002; A47B 2200/0003; A47B
2200/0004; A47B 2200/0011; A47B
2200/002

See application file for complete search history.

(56) **References Cited**

U.S. PATENT DOCUMENTS

2,926,794 A *	3/1960	Karoff	A47B 13/16 108/99
D265,364 S *	7/1982	Walker	D6/556
D572,046 S *	7/2008	Hunziker	A47B 13/16 D6/691.1
D797,479 S *	9/2017	Manea	D6/691
D839,645 S *	2/2019	Itou	D6/692
D851,971 S *	6/2019	Axelsson	D6/692.4
D876,864 S *	3/2020	He	D6/692.4
2018/0085912 A1*	3/2018	Cindric	E04G 1/30

* cited by examiner

Primary Examiner — Mary Ann Calabrese

(74) *Attorney, Agent, or Firm* — Hauptman Ham, LLP

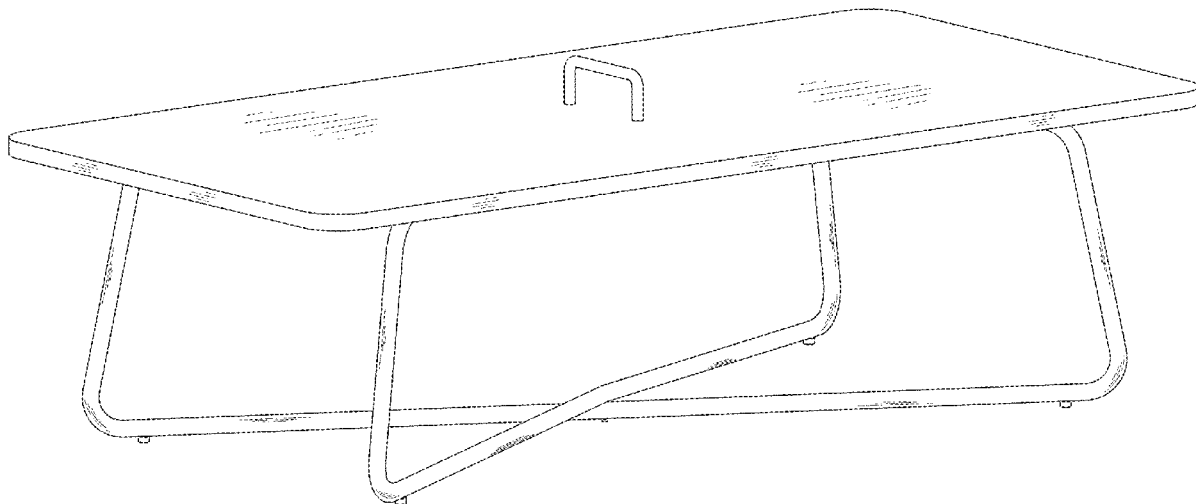
(57) **CLAIM**

The ornamental design for a desk, as shown.

DESCRIPTION

FIG. 1 is a front view of a desk showing my new design.
FIG. 2 is a back view of the desk of FIG. 1.
FIG. 3 is a left side view of the desk of FIG. 1.
FIG. 4 is a right side view of the desk of FIG. 1.
FIG. 5 is a top view of the desk of FIG. 1.
FIG. 6 is a bottom view of the desk of FIG. 1; and,
FIG. 7 is a perspective view of the desk of FIG. 1.

1 Claim, 7 Drawing Sheets



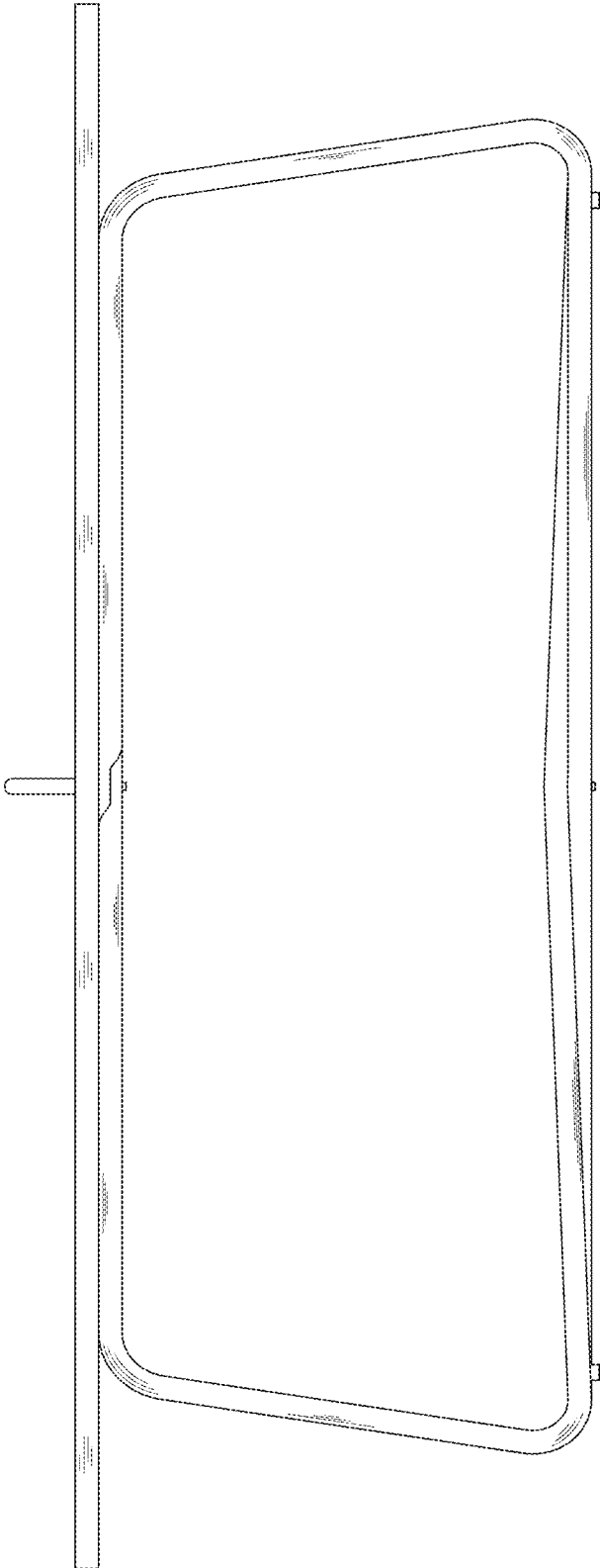


FIG. 1

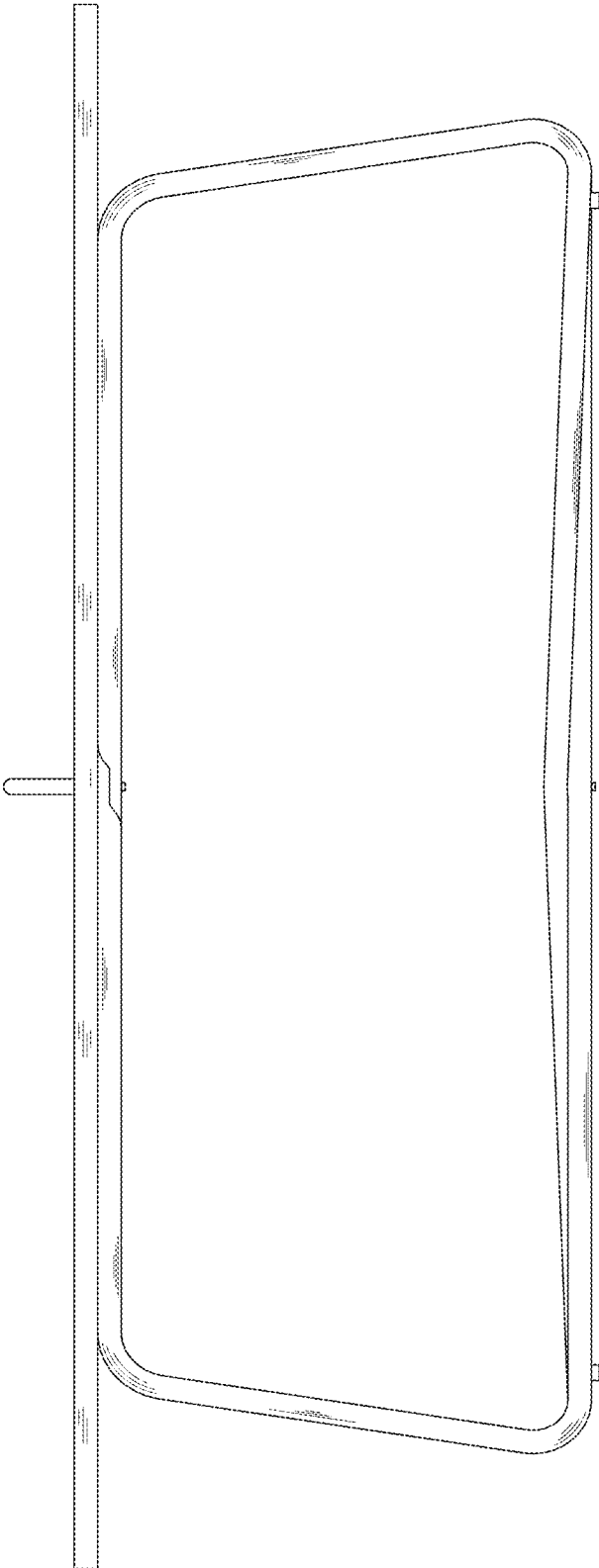


FIG. 2

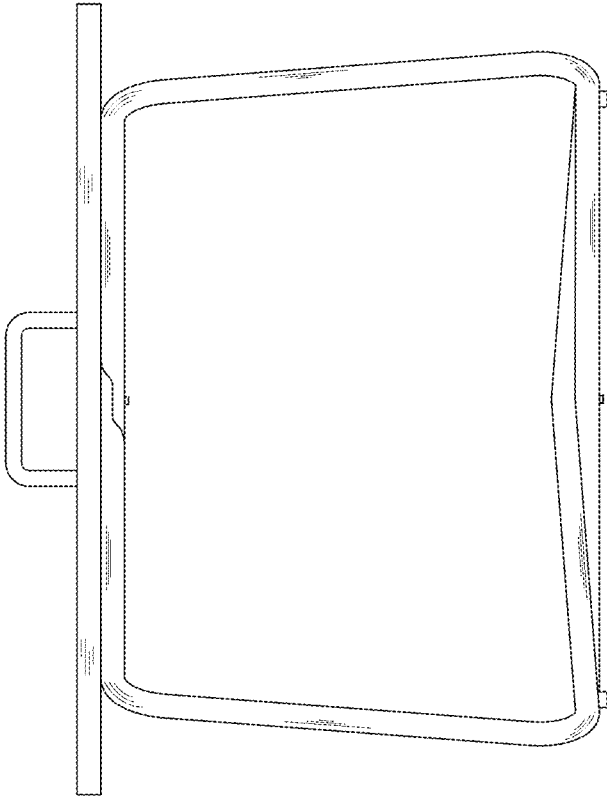


FIG. 3

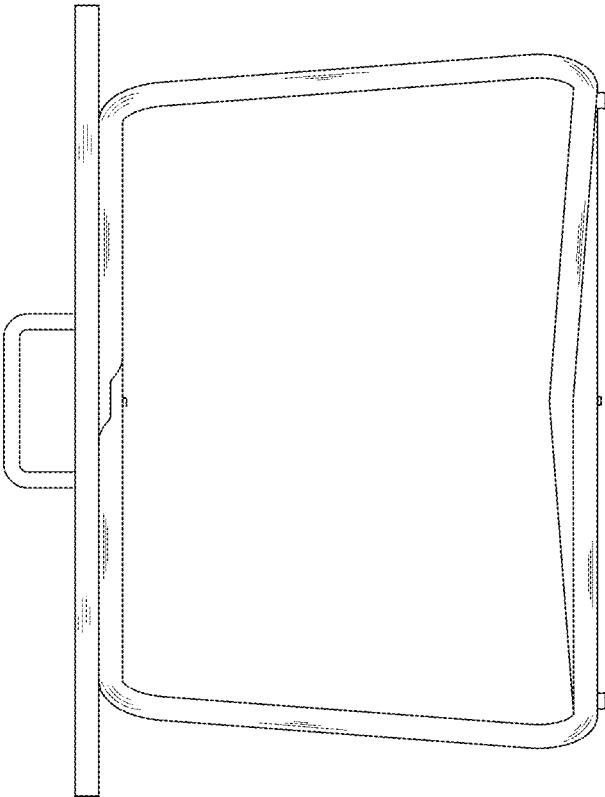


FIG. 4

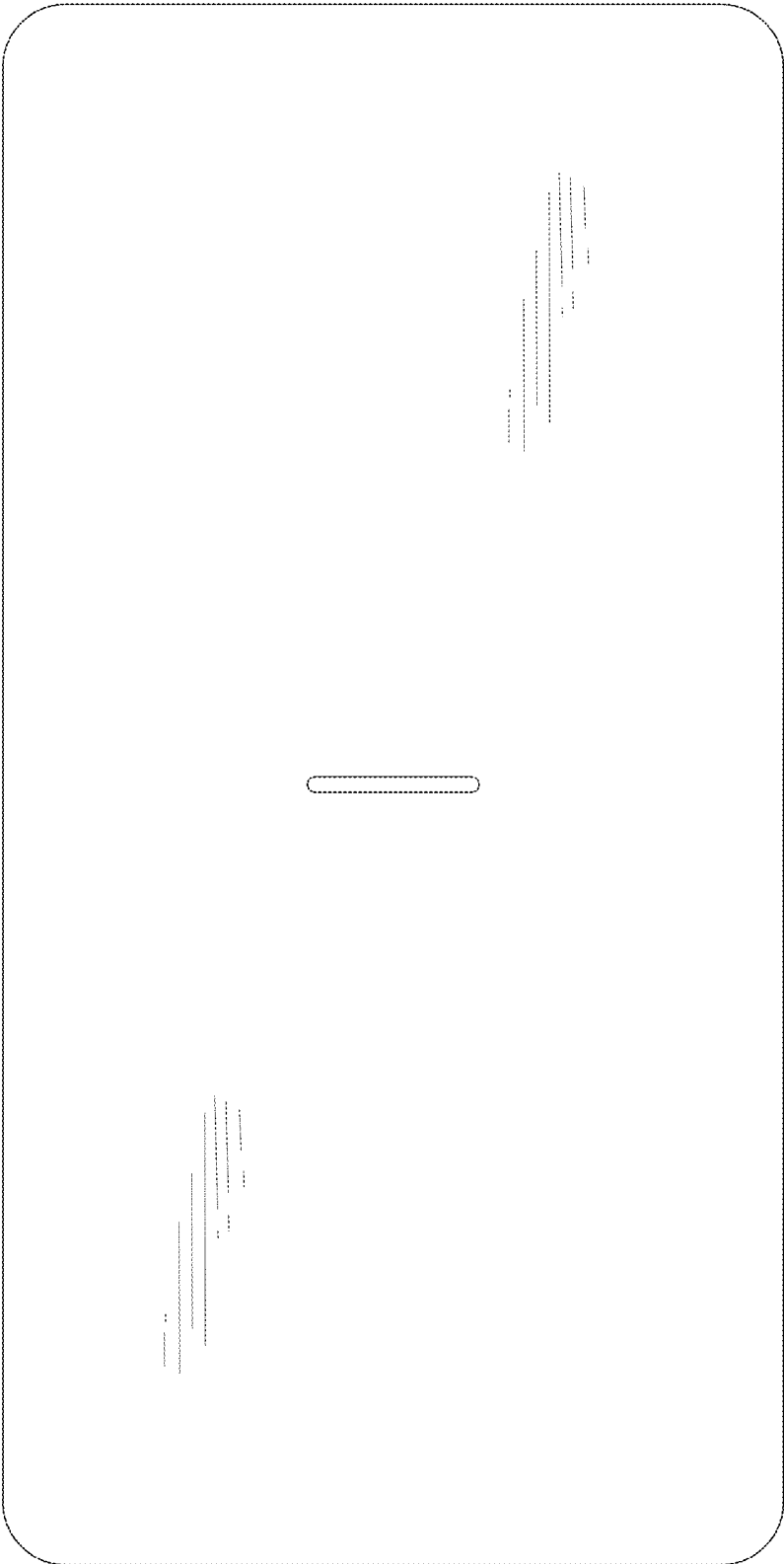


FIG. 5

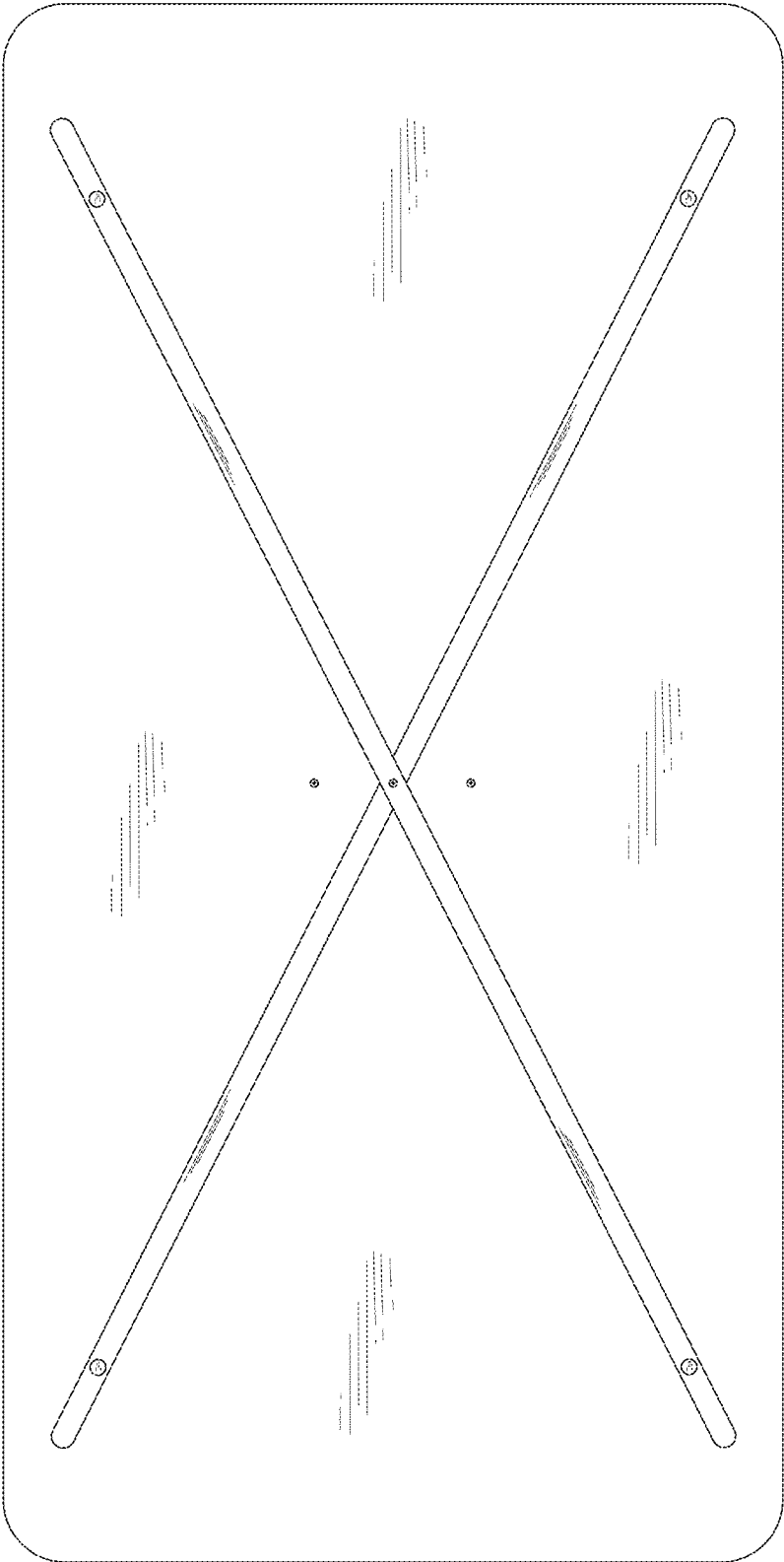


FIG. 6

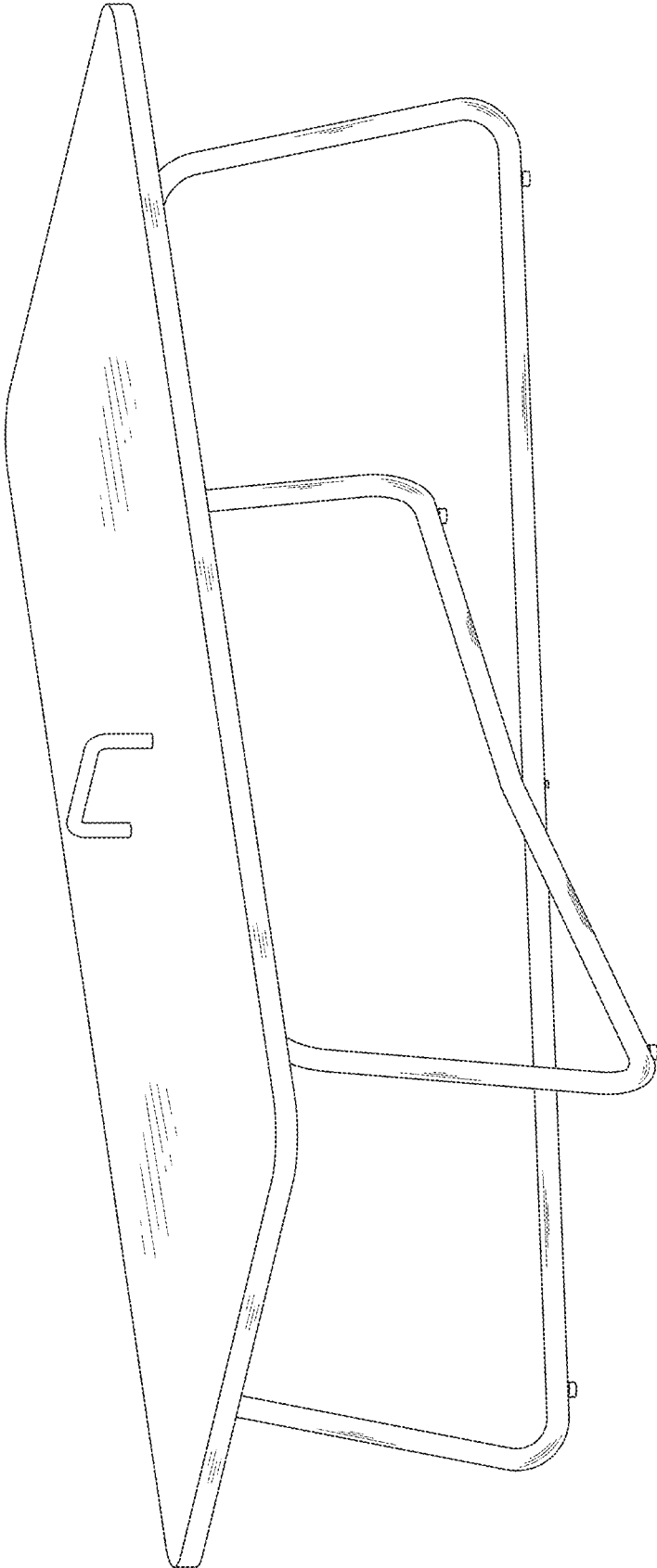


FIG. 7