



(43) International Publication Date
20 December 2012 (20.12.2012)

- (51) International Patent Classification:
G02B 6/38 (2006.01) *G02B 6/42* (2006.01)
- (21) International Application Number:
PCT/IE2012/000028
- (22) International Filing Date:
14 June 2012 (14.06.2012)
- (25) Filing Language: English
- (26) Publication Language: English
- (30) Priority Data:
2011/0278 16 June 2011 (16.06.2011) IE
- (71) Applicant (for all designated States except US): **FIRE-COMMS LIMITED** [IE/IE]; Building 2200, Airport Business Park, Cork (IE).
- (72) Inventors; and
- (75) Inventors/Applicants (for US only): **DOYLE, Patrick** [IE/IE]; 21 Roselawn, Togher Road, Cork (IE). **MORI-ARTY, Thomas** [IE/IE]; Tiger Bay, Rochestown Road, Cork (IE).
- (74) Agents: **O'BRIEN, John A.** et al.; c/o John A. O'Brien & Associates, Third Floor, Duncairn House, 14 Carysfort Avenue, Blackrock, County Dublin (IE).
- (81) Designated States (unless otherwise indicated, for every kind of national protection available): AE, AG, AL, AM,

AO, AT, AU, AZ, BA, BB, BG, BH, BR, BW, BY, BZ, CA, CH, CL, CN, CO, CR, CU, CZ, DE, DK, DM, DO, DZ, EC, EE, EG, ES, FI, GB, GD, GE, GH, GM, GT, HN, HR, HU, ID, IL, IN, IS, JP, KE, KG, KM, KN, KP, KR, KZ, LA, LC, LK, LR, LS, LT, LU, LY, MA, MD, ME, MG, MK, MN, MW, MX, MY, MZ, NA, NG, NI, NO, NZ, OM, PE, PG, PH, PL, PT, QA, RO, RS, RU, RW, SC, SD, SE, SG, SK, SL, SM, ST, SV, SY, TH, TJ, TM, TN, TR, TT, TZ, UA, UG, US, UZ, VC, VN, ZA, ZM, ZW.

(84) Designated States (unless otherwise indicated, for every kind of regional protection available): ARIPO (BW, GH, GM, KE, LR, LS, MW, MZ, NA, RW, SD, SL, SZ, TZ, UG, ZM, ZW), Eurasian (AM, AZ, BY, KG, KZ, RU, TJ, TM), European (AL, AT, BE, BG, CH, CY, CZ, DE, DK, EE, ES, FI, FR, GB, GR, HR, HU, IE, IS, IT, LT, LU, LV, MC, MK, MT, NL, NO, PL, PT, RO, RS, SE, SI, SK, SM, TR), OAPI (BF, BJ, CF, CG, CI, CM, GA, GN, GQ, GW, ML, MR, NE, SN, TD, TG).

Published:

- with international search report (Art. 21(3))
- before the expiration of the time limit for amending the claims and to be republished in the event of receipt of amendments (Rule 48.2(h))

(88) Date of publication of the international search report:
7 March 2013

(54) Title: AN OPTICAL FIBRE CONNECTOR

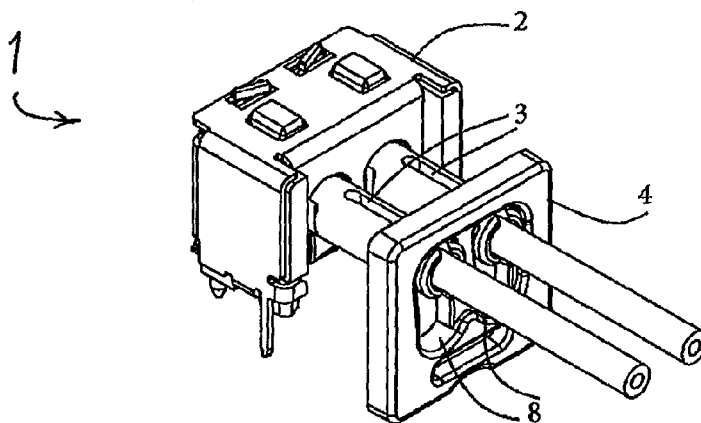


Fig. 1(c)

(57) Abstract: A connector (1) comprises a main body (2), and a pair of sockets (3). Each socket (3) comprises a pair of opposed resilient walls in the overall configuration of a split tube. The connector (1) also comprises a transversely sliding clamp (4) with two tapered slots (8), located so that one of the sockets (3) passes through each slot (8). After fibre terminations are pushed into the sockets (3) through the clamp (4) slots (8), the clamp is simply slid in a plane across the socket (3) axes so that the narrower ends of the slots (8) engage the opposed split tube resilient walls of each socket. This squeezes each socket so that the opposed split tube resilient walls press against the associated fibre termination and retains it in place. The sockets may have guide slots for guiding clamp movement. In most embodiments the clamp moves in a translational movement, but in another example the clamp rotates in the lateral plane to squeeze the sockets.



INTERNATIONAL SEARCH REPORT

International application No
PCT/IE2012/000028

A. CLASSIFICATION OF SUBJECT MATTER INV. G02B6/38 G02B6/42 ADD.		
According to International Patent Classification (IPC) or to both national classification and IPC		
B. FIELDS SEARCHED		
Minimum documentation searched (classification system followed by classification symbols) G02B		
Documentation searched other than minimum documentation to the extent that such documents are included in the fields searched		
Electronic data base consulted during the international search (name of data base and, where practicable, search terms used) EPO-Internal, WPI Data		
C. DOCUMENTS CONSIDERED TO BE RELEVANT		
Category*	Citation of document, with indication, where appropriate, of the relevant passages	Relevant to claim No.
X	EP 1 193 402 A1 (RENISHAW PLC [GB]) 3 April 2002 (2002-04-03)	1,3,7
A	paragraph [0013] - paragraph [0021]; figures 5-8	5,6
X	----- WO 01/31379 A1 (SIEMENS AG [DE]; GOERLICH STEFAN [DE]) 3 May 2001 (2001-05-03)	1,2,4,7
A	page 5, line 6 - page 7, line 19; figures 1-6	5,6
X	----- US 4 181 401 A (JENSEN FLOYD J [US]) 1 January 1980 (1980-01-01)	1
A	column 2, line 25 - column 3, line 18; figures 1,2	5,6
<input type="checkbox"/> Further documents are listed in the continuation of Box C. <input checked="" type="checkbox"/> See patent family annex.		
* Special categories of cited documents :		
"A" document defining the general state of the art which is not considered to be of particular relevance	"T" later document published after the international filing date or priority date and not in conflict with the application but cited to understand the principle or theory underlying the invention	
"E" earlier application or patent but published on or after the international filing date	"X" document of particular relevance; the claimed invention cannot be considered novel or cannot be considered to involve an inventive step when the document is taken alone	
"L" document which may throw doubts on priority claim(s) or which is cited to establish the publication date of another citation or other special reason (as specified)	"Y" document of particular relevance; the claimed invention cannot be considered to involve an inventive step when the document is combined with one or more other such documents, such combination being obvious to a person skilled in the art	
"O" document referring to an oral disclosure, use, exhibition or other means	"&" document member of the same patent family	
"P" document published prior to the international filing date but later than the priority date claimed		
Date of the actual completion of the international search 17 August 2012	Date of mailing of the international search report 09/01/2013	
Name and mailing address of the ISA/ European Patent Office, P.B. 5818 Patentlaan 2 NL - 2280 HV Rijswijk Tel. (+31-70) 340-2040, Fax: (+31-70) 340-3016	Authorized officer Frisch, Anna Maria	

INTERNATIONAL SEARCH REPORT

International application No.
PCT/IE2012/000028

Box No. II Observations where certain claims were found unsearchable (Continuation of item 2 of first sheet)

This international search report has not been established in respect of certain claims under Article 17(2)(a) for the following reasons:

1. Claims Nos.:
because they relate to subject matter not required to be searched by this Authority, namely:

2. Claims Nos.:
because they relate to parts of the international application that do not comply with the prescribed requirements to such an extent that no meaningful international search can be carried out, specifically:

3. Claims Nos.:
because they are dependent claims and are not drafted in accordance with the second and third sentences of Rule 6.4(a).

Box No. III Observations where unity of invention is lacking (Continuation of item 3 of first sheet)

This International Searching Authority found multiple inventions in this international application, as follows:

see additional sheet

1. As all required additional search fees were timely paid by the applicant, this international search report covers all searchable claims.

2. As all searchable claims could be searched without effort justifying an additional fees, this Authority did not invite payment of additional fees.

3. As only some of the required additional search fees were timely paid by the applicant, this international search report covers only those claims for which fees were paid, specifically claims Nos.:

4. No required additional search fees were timely paid by the applicant. Consequently, this international search report is restricted to the invention first mentioned in the claims; it is covered by claims Nos.:

1-7

Remark on Protest

- The additional search fees were accompanied by the applicant's protest and, where applicable, the payment of a protest fee.
- The additional search fees were accompanied by the applicant's protest but the applicable protest fee was not paid within the time limit specified in the invitation.
- No protest accompanied the payment of additional search fees.

INTERNATIONAL SEARCH REPORT

Information on patent family members

International application No

PCT/IE2012/000028

Patent document cited in search report	Publication date	Patent family member(s)	Publication date	
EP 1193402	A1	03-04-2002	AT 289658 T	15-03-2005
			DE 60109004 D1	31-03-2005
			DE 60109004 T2	02-03-2006
			EP 1193402 A1	03-04-2002
			JP 4942887 B2	30-05-2012
			JP 2002195220 A	10-07-2002
			US 2002040953 A1	11-04-2002
WO 0131379	A1	03-05-2001	DE 19951505 A1	07-06-2001
			WO 0131379 A1	03-05-2001
US 4181401	A	01-01-1980	NONE	

FURTHER INFORMATION CONTINUED FROM PCT/ISA/ 210

This International Searching Authority found multiple (groups of) inventions in this international application, as follows:

1. claims: 1-7

Subject 1 relates to an optical connector with a compressible socket receiving a fibre, a clamp for compressing the socket, and to details of a clamp version with a width tapered slot receiving the socket.

2. claims: 8, 9

Subject 2 also relates to an optical connector with a compressible socket receiving a fibre, a clamp for compressing the socket, and to the grip of the inner socket surface to a fibre termination.

3. claims: 10-12, 19-24

Subject 3 also relates to an optical connector with a compressible socket receiving a fibre, a clamp for compressing the socket, and to details of a clamp version rotating around one socket in a guided slot arrangement.

4. claims: 13, 14

Subject 4 also relates to an optical connector with a compressible socket receiving a fibre, a clamp for compressing the socket, and to a releasable locking mechanism between the socket and the clamp.

5. claim: 15

Subject 5 also relates to an optical connector with a compressible socket receiving a fibre, a clamp for compressing the socket, and to the fixing of the clamp to the connector body.

6. claim: 16

Subject 6 also relates to an optical connector with a compressible socket receiving a fibre, a clamp for compressing the socket, and to details of an optical shutter incorporated into the clamp.

7. claim: 17

Subject 7 also relates to an optical connector with a compressible socket receiving a fibre, a clamp for

FURTHER INFORMATION CONTINUED FROM PCT/ISA/ 210

compressing the socket, and to details of a tool access for moving the clamp.

8. claim: 18

Subject 8 also relates to an optical connector with a compressible socket receiving a fibre, a clamp for compressing the socket, and to an EMI shielding of the connector.
