



- (51) International Patent Classification:  
A47J 31/18 (2006.01) A47J 31/46 (2006.01)
- (21) International Application Number:  
PCT/NL2012/050156
- (22) International Filing Date:  
13 March 2012 (13.03.2012)
- (25) Filing Language: English
- (26) Publication Language: English
- (30) Priority Data:  
2006380 14 March 2011 (14.03.2011) NL
- (71) Applicant (for all designated States except US): CUPSYSTEM COMPANY B.V. [NL/NL]; 13, Gooimeer, NL-1411 DE Naarden (NL).
- (72) Inventor; and
- (75) Inventor/Applicant (for US only): VERBEEK, Roland, Waldemar [NL/NL]; 4, Het Domein, NL-1216 JP Blaricum (NL).
- (74) Agent: BLOKHUIS, S.E.D.; P.O. Box 3241, NL-2280 GE Rijswijk (NL).
- (81) Designated States (unless otherwise indicated, for every kind of national protection available): AE, AG, AL, AM, AO, AT, AU, AZ, BA, BB, BG, BH, BR, BW, BY, BZ, CA, CH, CL, CN, CO, CR, CU, CZ, DE, DK, DM, DO, DZ, EC, EE, EG, ES, FI, GB, GD, GE, GH, GM, GT, HN, HR, HU, ID, IL, IN, IS, JP, KE, KG, KM, KN, KP, KR, KZ, LA, LC, LK, LR, LS, LT, LU, LY, MA, MD, ME, MG, MK, MN, MW, MX, MY, MZ, NA, NG, NI, NO, NZ, OM, PE, PG, PH, PL, PT, QA, RO, RS, RU, RW, SC, SD, SE, SG, SK, SL, SM, ST, SV, SY, TH, TJ, TM, TN, TR, TT, TZ, UA, UG, US, UZ, VC, VN, ZA, ZM, ZW.
- (84) Designated States (unless otherwise indicated, for every kind of regional protection available): ARIPO (BW, GH, GM, KE, LR, LS, MW, MZ, NA, RW, SD, SL, SZ, TZ, UG, ZM, ZW), Eurasian (AM, AZ, BY, KG, KZ, MD, RU, TJ, TM), European (AL, AT, BE, BG, CH, CY, CZ, DE, DK, EE, ES, FI, FR, GB, GR, HR, HU, IE, IS, IT, LT, LU, LV, MC, MK, MT, NL, NO, PL, PT, RO, RS, SE, SI, SK,

[Continued on next page]

(54) Title: PREPARATION OF AN ARABIC COFFEE BEVERAGE

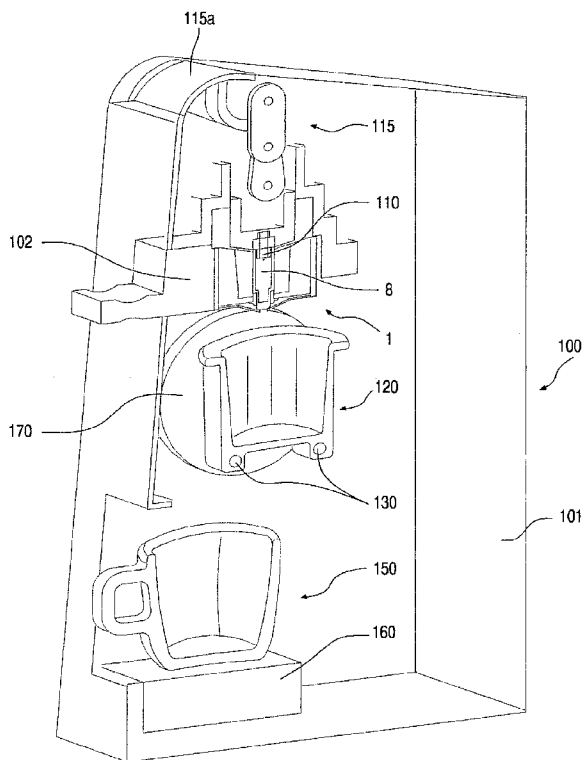


Fig.1

(57) Abstract: A system for the preparation of a single serving of an Arabic coffee beverage, which system comprises a disposable single serving cartridge (1) and a preparation device. The device comprises a holder (102) for accommodating the cartridge, water feed means (110) adapted to provide water, and a boiling reservoir (120) which is arranged to receive therein water and ground roasted coffee that has been discharged from the cartridge. In the boiling reservoir (120) a boiling process is performed, the boiled mixture is discharged from the reservoir into a cup (150). The cartridge is embodied such that the ground roasted coffee therein is entrained with the water that is introduced into the cartridge and is dispensed as a mixture with said water from the cartridge via one or more outlets into the boiling reservoir





SM, TR), OAPI (BF, BJ, CF, CG, CI, CM, GA, GN, GQ,  
GW, ML, MR, NE, SN, TD, TG).

— *before the expiration of the time limit for amending the  
claims and to be republished in the event of receipt of  
amendments (Rule 48.2(h))*

**Published:**

— *with international search report (Art. 21(3))*

**(88) Date of publication of the international search report:**

22 November 2012

# INTERNATIONAL SEARCH REPORT

International application No PCT/NL2012/050156
---

<b>A. CLASSIFICATION OF SUBJECT MATTER</b> INV. A47J31/18      A47J31/46 ADD.		
According to International Patent Classification (IPC) or to both national classification and IPC		
<b>B. FIELDS SEARCHED</b>		
Minimum documentation searched (classification system followed by classification symbols) A47J B65D		
Documentation searched other than minimum documentation to the extent that such documents are included in the fields searched		
Electronic data base consulted during the international search (name of data base and, where practicable, search terms used) EPO-Internal, WPI Data		
<b>C. DOCUMENTS CONSIDERED TO BE RELEVANT</b>		
Category*	Citation of document, with indication, where appropriate, of the relevant passages	Relevant to claim No.
X	DE 197 22 320 A1 (CUBUK IMAM [DE]) 3 December 1998 (1998-12-03) column 1, line 1 - line 9 column 2, line 55 - column 4, line 1; claims; figures -----	1-16
X	US 3 085 880 A (PETE MATTY) 16 April 1963 (1963-04-16) the whole document -----	1-16
X	US 6 339 985 B1 (WHITNEY ROBERT R [US]) 22 January 2002 (2002-01-22) column 2, line 59 - column 3, line 30; claims; figures -----	1-16
----- -/--		
<input checked="" type="checkbox"/> Further documents are listed in the continuation of Box C. <span style="margin-left: 200px;"><input checked="" type="checkbox"/> See patent family annex.</span>		
* Special categories of cited documents :		
"A" document defining the general state of the art which is not considered to be of particular relevance "E" earlier application or patent but published on or after the international filing date "L" document which may throw doubts on priority claim(s) or which is cited to establish the publication date of another citation or other special reason (as specified) "O" document referring to an oral disclosure, use, exhibition or other means "P" document published prior to the international filing date but later than the priority date claimed	"T" later document published after the international filing date or priority date and not in conflict with the application but cited to understand the principle or theory underlying the invention "X" document of particular relevance; the claimed invention cannot be considered novel or cannot be considered to involve an inventive step when the document is taken alone "Y" document of particular relevance; the claimed invention cannot be considered to involve an inventive step when the document is combined with one or more other such documents, such combination being obvious to a person skilled in the art "&" document member of the same patent family	
Date of the actual completion of the international search	Date of mailing of the international search report	
12 September 2012	08/10/2012	
Name and mailing address of the ISA/ European Patent Office, P.B. 5818 Patentlaan 2 NL - 2280 HV Rijswijk Tel. (+31-70) 340-2040, Fax: (+31-70) 340-3016	Authorized officer  Acerbis, Giorgio	

## INTERNATIONAL SEARCH REPORT

International application No

PCT/NL2012/050156

C(Continuation). DOCUMENTS CONSIDERED TO BE RELEVANT

Category*	Citation of document, with indication, where appropriate, of the relevant passages	Relevant to claim No.
A	WO 2011/007266 A1 (HAREMLIK GIDA DEKORASYON VE EKIPMANLARI TICARET SANAYI LTD SIRKETI [TR]) 20 January 2011 (2011-01-20) cited in the application the whole document	1-16
X	----- US 4 471 689 A (PIANA GIUSEPPE S [IT]) 18 September 1984 (1984-09-18) column 1, line 7 - line 8 column 2, line 13 - line 50; claims; figures	17-23
X	----- US 2008/028946 A1 (KIRSCHNER JONATHAN [US] ET AL) 7 February 2008 (2008-02-07) paragraphs [0002], [0022] - [0024], [0028] - [0030]; claims; figures	17-23
X	----- WO 2004/065225 A2 (KRAFT FOODS R & D INC [DE]; CARTER STEVEN [GB]; MACMAHON JOHN [GB]; LL) 5 August 2004 (2004-08-05) page 3, line 22 - page 5, line 27; claims; figures	17-23
X	----- WO 2008/132571 A1 (PINESCHI MASSIMILIANO [IT]) 6 November 2008 (2008-11-06) page 10, line 32 - page 12, line 11; claims; figures           -----	17-23

# INTERNATIONAL SEARCH REPORT

International application No.  
PCT/NL2012/050156

## Box No. II Observations where certain claims were found unsearchable (Continuation of item 2 of first sheet)

This international search report has not been established in respect of certain claims under Article 17(2)(a) for the following reasons:

1.  Claims Nos.:  
because they relate to subject matter not required to be searched by this Authority, namely:
  
2.  Claims Nos.:  
because they relate to parts of the international application that do not comply with the prescribed requirements to such an extent that no meaningful international search can be carried out, specifically:
  
3.  Claims Nos.:  
because they are dependent claims and are not drafted in accordance with the second and third sentences of Rule 6.4(a).

## Box No. III Observations where unity of invention is lacking (Continuation of item 3 of first sheet)

This International Searching Authority found multiple inventions in this international application, as follows:

see additional sheet

1.  As all required additional search fees were timely paid by the applicant, this international search report covers all searchable claims.
2.  As all searchable claims could be searched without effort justifying an additional fees, this Authority did not invite payment of additional fees.
3.  As only some of the required additional search fees were timely paid by the applicant, this international search report covers only those claims for which fees were paid, specifically claims Nos.:  
  
1-23
4.  No required additional search fees were timely paid by the applicant. Consequently, this international search report is restricted to the invention first mentioned in the claims; it is covered by claims Nos.:

### Remark on Protest

- The additional search fees were accompanied by the applicant's protest and, where applicable, the payment of a protest fee.
- The additional search fees were accompanied by the applicant's protest but the applicable protest fee was not paid within the time limit specified in the invitation.
- No protest accompanied the payment of additional search fees.

# INTERNATIONAL SEARCH REPORT

Information on patent family members

International application No PCT/NL2012/050156
---

Patent document cited in search report	Publication date	Publication date	Patent family member(s)	Publication date
DE 19722320	A1	03-12-1998	NONE	
-----				
US 3085880	A	16-04-1963	NONE	
-----				
US 6339985	B1	22-01-2002	NONE	
-----				
WO 2011007266	A1	20-01-2011	EP 2453777 A1	23-05-2012
			TR 200905555 A1	21-02-2011
			US 2012180669 A1	19-07-2012
			WO 2011007266 A1	20-01-2011
-----				
US 4471689	A	18-09-1984	DE 3261150 D1	13-12-1984
			EP 0057671 A2	11-08-1982
			ES 262906 U	01-11-1982
			IT 1210982 B	29-09-1989
			US 4471689 A	18-09-1984
-----				
US 2008028946	A1	07-02-2008	AR 066644 A1	02-09-2009
			AT 515459 T	15-07-2011
			CA 2686347 A1	11-12-2008
			CN 101678952 A	24-03-2010
			DK 2155586 T3	24-10-2011
			EP 2155586 A1	24-02-2010
			JP 2010532296 A	07-10-2010
			RU 2009145628 A	10-07-2011
			US 2008028946 A1	07-02-2008
			US 2011262597 A1	27-10-2011
WO 2008150627 A1	11-12-2008			
-----				
WO 2004065225	A2	05-08-2004	AU 2004205385 A1	05-08-2004
			BR PI0406896 A	03-01-2006
			CA 2513765 A1	05-08-2004
			CA 2777962 A1	05-08-2004
			JP 4836776 B2	14-12-2011
			JP 2007535332 A	06-12-2007
			JP 2009022786 A	05-02-2009
			JP 2012040413 A	01-03-2012
			KR 20050111580 A	25-11-2005
			MX PA05007860 A	18-10-2005
			PL 205052 B1	31-03-2010
			WO 2004065225 A2	05-08-2004
			-----	
WO 2008132571	A1	06-11-2008	AT 501065 T	15-03-2011
			EP 2152609 A1	17-02-2010
			EP 2343247 A1	13-07-2011
			EP 2345602 A1	20-07-2011
			ES 2359665 T3	25-05-2011
			WO 2008132571 A1	06-11-2008
-----				

**FURTHER INFORMATION CONTINUED FROM PCT/ISA/ 210**

This International Searching Authority found multiple (groups of) inventions in this international application, as follows:

1. claims: 1-16

System, device and method for the preparation of an arabic coffee comprising a boiling reservoir adapted to heat the mixture

---

2. claims: 17-23

A disposable single serving cartridge

---

3. claim: 24

System for the preparation of an arabic coffee comprising a tiltable boiling reservoir

---

4. claim: 25

System, device and method for the preparation of an arabic coffee comprising a removable unit

---