

(19) World Intellectual Property Organization
International Bureau



(43) International Publication Date
25 January 2001 (25.01.2001)

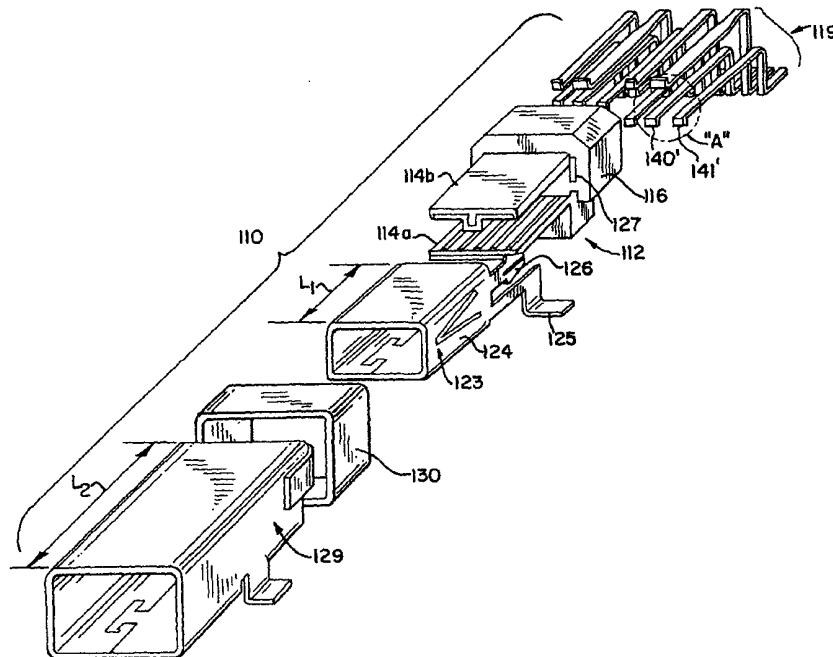
PCT

(10) International Publication Number
WO 01/06602 A1

- (51) International Patent Classification⁷: H01R 24/00, IL 60532 (US). LOPATA, John, E.; 325 Hemlock Lane, Naperville, IL 60540 (US).
12/22, 13/658
 - (21) International Application Number: PCT/US00/19473
 - (22) International Filing Date: 14 July 2000 (14.07.2000)
 - (25) Filing Language: English
 - (26) Publication Language: English
 - (30) Priority Data:
09/356,205 16 July 1999 (16.07.1999) US
09/607,234 30 June 2000 (30.06.2000) US
 - (71) Applicant: MOLEX INCORPORATED [US/US]; 2222 Wellington Court, Lisle, IL 60532-1682 (US).
 - (72) Inventors: BASSLER, Maxwell, P.; 9N114 Burlington Road, Hampshire, IL 60149 (US). BRUNKER, David, L.; 407 Verbena Court, Naperville, IL 60565 (US). DAWIED-CZYK, Daniel, L.; Unit A, 5538 East Lake Drive, Lisle, IL 60532-1682 (US).
 - (74) Agent: PAULIUS, Thomas, D.; Vedder, Price, Kaufman & Kammholz, 222 N. LaSalle Street, Chicago, IL 60601-1003 (US).
 - (81) Designated States (national): AL, AM, AT, AU, AZ, BA, BB, BG, BR, BY, CA, CH, CN, CU, CZ, DE, DK, EE, ES, FI, GB, GD, GE, GH, GM, HR, HU, ID, IL, IN, IS, JP, KE, KG, KP, KR, KZ, LC, LK, LR, LS, LT, LU, LV, MD, MG, MK, MN, MW, MX, NO, NZ, PL, PT, RO, RU, SD, SE, SG, SI, SK, SL, TJ, TM, TR, TT, UA, UG, UZ, VN, YU, ZW.
 - (84) Designated States (regional): ARIPO patent (GH, GM, KE, LS, MW, MZ, SD, SL, SZ, TZ, UG, ZW), Eurasian patent (AM, AZ, BY, KG, KZ, MD, RU, TJ, TM), European patent (AT, BE, CH, CY, DE, DK, ES, FI, FR, GB, GR, IE, IT, LU, MC, NL, PT, SE), OAPI patent (BF, BJ, CF, CG, CI, CM, GA, GN, GW, ML, MR, NE, SN, TD, TG).
- Published:
— With international search report.

[Continued on next page]

(54) Title: IMPEDANCE-TUNED CONNECTOR



(57) Abstract: A termination structure for mating a cable connector to a circuit board has a ground terminal (150) and two signal terminals (140, 141) arranged in triangular pattern through the connector in order to reduce the impedance through the connector. The width of the ground terminal (150) increases along its extent with respect to the signal terminals (140, 141). This increase occurs along either a transition or contact portion of the ground terminal.



WO 01/06602 A1



— *Before the expiration of the time limit for amending the claims and to be republished in the event of receipt of amendments.*

For two-letter codes and other abbreviations, refer to the "Guidance Notes on Codes and Abbreviations" appearing at the beginning of each regular issue of the PCT Gazette.

IMPEDANCE-TUNED CONNECTORBackground of the Invention

The present invention relates generally to terminations for connectors and more particularly to connectors used in connections with signal cables, especially high-speed signal cables, and printed circuit boards.

5 Many electronic devices rely upon transmission lines to transmit signals between related devices or between peripheral devices and circuit boards of a computer. These transmission lines incorporate signal cables that are capable of high-speed data transmissions.

10 These signal cables may use what are known as one or more twisted pairs of wires that are twisted together along the length of the cable, with each such twisted pair being encircled by an associated grounding shield. These twisted pairs typically receive complimentary signal voltages, i.e., one wire
15 of the pair may see a +1.0 volt signal, while the other wire of the pair may see a -1.0 volt signal. Thus, these wires may be called "differential" pairs, a term that refers to the different signals they carry. As signal cables are routed on a path to an electronic device, they may pass by or near other electronic
20 devices that emit their own electric field. These devices have the potential to create electromagnetic interference to transmission lines such as the aforementioned signal cables. However, this twisted pair construction minimizes or diminishes any induced electrical fields and thereby eliminates
25 electromagnetic interference.

In order to maintain electrical performance integrity from such a transmission line, or cable, to the circuitry of an associated electronic device, it is desirable to obtain a substantially constant impedance throughout the transmission
30 line, from circuit to circuit or to avoid large discontinuities

in the impedance of the transmission line. The difficulty of controlling the impedance of a connector at a connector mating face is well known because the impedance of a conventional connector typically changes through the connector and across the interface of the two mating connector components. Although it is relatively easy to maintain a desired impedance through an electrical transmission line, such as a cable, by maintaining a specific geometry or physical arrangement of the signal conductors and the grounding shield, an impedance change is usually encountered in the area where a cable is mated to a connector. It is therefore desirable to maintain a desired impedance throughout the connector and its connection to the cable.

The present invention is therefore directed to a termination structure for providing improved connections between cables and connectors that provides a high level of performance and which maintains the electrical characteristics of the cable in the termination area.

Summary of the Invention

Accordingly, it is a general object of the present invention to provide an improved connector for high-speed data transmission connections in which the impedance discontinuity through the connector is minimized so as to better attempt to match the impedance of the transmission line.

Another object of the present invention is to provide an improved connector for effecting a high-performance connection between a circuit board and an opposing connector terminated to a transmission line, wherein the transmission line includes at least one pair of differential signal wires and an associated ground and the opposing connector includes at least two signal and one ground terminal, the connector having a pair of signal terminals disposed therein and a ground terminal associated therewith, the signal and ground terminals of the connector being arranged in a manner so as to reduce impedance

discontinuities from occurring when the connector is mated to the opposing connector.

It is a further object of the present invention to provide such a connector wherein, by varying the size of the ground terminal and its location relative to its two associated signal wires, the impedance of the connector may be "tuned" to obtain a preselected impedance through the connector.

Yet another object of the present invention is to provide a connector for connecting cables, such as those of the IEEE 1394 type, to a circuit board of an electronic device, wherein the connector has a number of discrete, differential signal wires and associated grounds equal in number to those contained in the cables, the ground terminals of the connector being configured in size and location with respect to the signal terminals of the connector in order to minimize the drop in impedance through the connector.

It is yet a further object of the present invention to provide a connector for providing a connection between a circuit board and a connector associated with a signal cable, wherein the connector includes a pair of differential signal terminals and a ground terminal associated with the pair of signal terminals, the ground terminal being sized to control the impedance through the connector, the ground terminal of the connector being spaced apart from the pair of signal terminals in a contact area to establish a desired electrical relationship among the three terminals.

A still other object of the present invention is to provide a board connector for mating to a cable connector, the board connector having a housing, a ground terminal positioned within the connector housing and spaced apart from two associated signal terminals, the ground terminal having a body portion that is larger than corresponding body portions of the two signal terminal.

A yet further object of the present invention is to provide a board connector for use in connections with cables, the connector having a ground terminal and two signal terminals that are arranged in a triangular orientation within a mating contact
5 portion of the board connector.

In order to obtain the aforementioned objects, one principal aspect of the invention that is exemplified by one embodiment thereof includes a first connector for a circuit board which has a housing that supports, for each twisted pair
10 of wires in the mating signal cable, three conductive terminals in a unique pattern of a triplet, with two of the terminals carrying differential signals, and the remaining terminal being a ground terminal that serves as a ground plane or ground return to the differential pair of signal wires. A second connector
15 for a cable is provided that mates with the first connector and this second connector also has a triplet pattern of conductive terminals that are terminated to signal and ground wires of the cable.

The arrangement of these three terminals within the first
20 connector permits the impedance to be more effectively controlled throughout the first connector, from the points of engagement with the cable connector terminals to be points of attachment to the circuit board. In this manner, each such triplet includes a pair of signal terminals having contact
25 portions that are aligned together in side-by-side order, and which are also spaced apart a predetermined distance from each other.

The ground terminal is spaced apart from the two signal terminals so that two rows of terminals are presented in the
30 connector. The ground terminal has a contact portion that is spaced apart from like contact portions of the signal terminals, while the remainder of the ground terminal may extend between the signal terminals. In this extent, the ground terminal may extend in a common plane as the two signal terminals.

The width of the ground terminal and its spacing from the signal terminals may be chosen so that the three terminals may have desired electrical characteristics such as capacitance and the like, which affect the impedance of the connector. The width of the ground terminal will usually be increased in the mating area along the contact portions of the terminals, but it may also be increased in the transition area that occurs between the contact and termination areas of the terminals.

By this impedance regulating ground structure, a greater opportunity is provided to reduce the impedance discontinuity which occurs in a connector without altering the mating positions or the pitch of the differential signal terminals. Hence, this aspect of the present invention may be aptly characterized as providing a "tunable" terminal arrangement for each differential signal wire pair and associated ground wire arrangement found either in a cable or in other circuits.

In another principal aspect of the present invention, two or more such tunable triplets may be provided within the connector housing, but separated by an extent of dielectric material, such as the connector housing, an air gap, or both. In order to maximize the high speed performance of such a connector, the signal and ground terminals preferably all have similar, flat contacts that are cantilevered from their associated body portions so that the ground terminal contact portions may be selectively sized with respect to their associated signal terminals to facilitate the tuning of the terminals to obtain the optimum desired impedance in the connector system. When two such triple terminal sets are utilized in the connectors of the present invention, power terminals of the connector may be situated between the two triple terminal sets at a level equal to that of the ground terminals so as not to interfere with the signal terminals.

In still another principal aspect of the present invention, the connector has its ground and signal terminals arranged in a

triangular orientation to maintain the predetermined spatial relationships that occur among these three terminals in the mating area of the board connector.

Brief Description of the Drawings

5 In the course of the following detailed description, reference will be made to the accompanying drawings wherein like reference numerals identify like parts and in which:

FIG. 1A is an elevational view of a cable connector assembly of the invention in place on a circuit board of an
10 electronic device illustrating an "internal" environment in which the present invention has utility;

FIG. 1B is an elevational view of a cable connector assembly of the invention in place on a circuit board of an
15 electronic device and extending to the exterior of the device to illustrate an "external" environment in which the present invention has utility;

FIG. 2 is an exploded view of a cable connector in the form of a socket connection constructed in accordance with the principles of the present invention that is suitable for
20 mounting onto a printed circuit board and opening to either the interior or exterior of the electronic device;

FIG. 3 is a perspective view of the socket connector and inner shield of the connector of FIG. 2;

FIG. 4 is a perspective view of a cable with a plug
25 connector terminated thereto for engagement with the socket connector of FIG. 2;

FIG. 4A is an enlarged end view of the plug-style connector of FIG. 4, with a portion of the connector cover broken away to better illustrate the terminal structure and location thereof;

30 FIG. 5A is an enlarged detail view of a group of three terminals arranged in a "triplet" and used in the connector of FIG. 2 illustrating the relative size and placement of the two signal terminals and one ground terminal thereof;

FIG. 5B is an enlarged detail view of another type of terminal triplet that may be used in the connector of FIG. 2;

FIG. 6 is an end view taken along lines 6-6 of FIG. 3, but illustrating only the internal insulative body of the receptacle connector of FIG. 3;

FIG. 7 is a cross-sectional view taken along lines 7-7 of FIG. 3, illustrating the receptacle connector body and the separation of the two rows of terminals thereof;

FIG. 8A is a perspective view of a ground terminal utilized in the receptacle connectors of FIGS. 2-3 and 6-7;

FIG. 8B is a perspective view of a signal terminal utilized in the receptacle connectors of FIGS. 2-3 and 6-7;

FIG. 9A is a schematic end view of the connectors of FIGS. 2-4 and 6-7, illustrating the arrangement of the various terminals relative to each other, and illustrating the use of two status information terminals;

FIG. 9B is a schematic end view of the connectors of FIGS. 12-14 and 17 illustrating the arrangement and identification of the terminals and showing the use of one status information terminal;

FIG. 9C is a cross-sectional view of two plug and receptacle connectors shown in preliminary engagement with each other;

FIG. 10A is a perspective view of a ground terminal used in the plug-style connectors of the invention shown in FIGS. 4 and 12-14;

FIG. 10B is a perspective view of a signal terminal utilized in the plug-style connectors of the invention shown in FIGS. 4 and 12-14;

FIG. 11 is a diagram illustrating the typical impedance discontinuity experienced throughout a high-speed cable connection and also the reduction in this discontinuity that would be experienced with the connectors of the present invention;

FIG. 12 is a perspective view of multiple socket-style connector in incorporating a plurality of triplet terminal arrangements in accordance with the principles of the present invention;

5 FIG. 13 is a schematic view of the connector interface area between a cable and board connector;

FIG. 14 is a diagrammatic view taken from the rear end of another board connector constructed in accordance with the principles of the present invention, and illustrating the arrangement of the terminals in their extent from the circuit
10 board to the mating contact area;

FIG. 15 is a perspective view of the connector of FIG. 14 illustrating the terminals thereof set in place within a shield member prior to the molding of a dielectric insert portion
15 thereto;

FIG. 16 is a diagram illustrating the impedance profile that is expected to occur through Regions I through IV of FIG. 13 illustrating how such a profile changes as the system ground terminal is moved from the same level as two associated signal
20 terminals;

FIG. 17A is a schematic sectional view illustrating an alternate triangular arrangement of a "triple" of associated ground and signal terminals;

FIG. 17B is another schematic sectional view illustrating a
25 triangular arrangement of three terminals in accordance with the present invention and approximating a right triangle; and,

FIG. 17C is another schematic sectional view illustrating a triangular terminal arrangement in accordance with the invention approximating a scalene triangle and illustrating all three
30 terminals each in a different plane.

Detailed Description of the Preferred Embodiments

The present invention is directed to an improved connector particularly useful in enhancing the performance of high-speed cables, particularly in input-output ("I/O") applications as

well as other type of applications. More specifically, the present invention attempts to impose a measure of mechanical and electrical uniformity on the termination area of the connector to facilitate its performance, both alone and when combined with
5 an opposing connector.

Many peripheral devices associated with an electronic device, such as a video camera or camcorder, transmit digital signals at various frequencies. Other devices associated with a computer, such as the CPU portion thereof, operate at high
10 speeds for data transmission. High speed cables are used to connect these devices to the CPU and may also be used in some applications to connect two or more CPUs together. A particular cable may be sufficiently constructed to convey high speed signals and may include differential pairs of signal wires,
15 either as twisted pairs or individual pairs of wires.

One consideration in high speed data transmissions is signal degradation. This involves crosstalk and signal reflection which is affected by the impedance of the cable and connector. Crosstalk and signal reflection in a cable may be
20 easily controlled easy enough in a cable by shielding and the use of differential pairs of signal wires, but these aspects are harder to control in a connector by virtue of the various and diverse materials used in the connector, among other considerations. The physical size of the connector in high
25 speed applications limits the extent to which the connector and terminal structure may be modified to obtain a particular electrical performance.

Impedance mismatches in a transmission path can cause signal reflection, which often leads to signal losses,
30 cancellation, etc. Accordingly, it is desirable to keep the impedance consistent over the signal path in order to maintain the integrity of the transmitted signals. The connector to which the cable is terminated and which supplies a means of conveying the transmitted signals to circuitry on the printed

circuit board of the device is usually not very well controlled insofar as impedance is concerned and it may vary greatly from that of the cable. A mismatch in impedances between these two elements may result in transmission errors, limited bandwidth and the like.

FIG. 11 illustrates the impedance discontinuity that occurs through a conventional plug and receptacle connector assembly used for signal cables. The impedance through the signal cable approaches a constant, or baseline value, as shown to the right of FIG. 11 at 51. This deviation from the baseline is shown by the solid, bold line at 50. The cable impedance substantially matches the impedance of the circuit board at 52 shown to the left of FIG. 11 and to the left of the "PCB Termination" axis. That vertical axis "M" represents the point of termination between the socket, or receptacle, connector and the printed circuit board, while the vertical axis "N" represents the interface that occurs between the two mating plug and socket connectors, and the vertical axis "P" represents the point where the plug connector is terminated to the cable.

The curve 50 of FIG. 11 represents the typical impedance "discontinuity" achieved with conventional connectors and indicates three peaks and valleys that occur, with each such peak or valley having respective distances (or values) H_1 , H_2 and H_3 from the baseline as shown. These distances are measured in ohms with the base of the vertical axis that intersects with the horizontal "Distance" axis having a zero (0) ohm value. In these conventional connector assemblies, the high impedance as represented by H_1 , will typically increase to about 150 ohms, whereas the low impedance as represented by H_2 will typically decrease to about 60 ohms. This wide discontinuity between H_1 and H_2 of about 90 ohms affects the electrical performance of the connectors with respect to the printed circuit board and the cable.

The present invention pertains to a connector and a connector termination structures that are particularly useful in I/O ("input-output") applications that has an improved structure that permits the impedance of the connector to be set so that it emulates the cable to which it is mated and reduces the aforementioned discontinuity. In effect, connectors of the present invention may be "tuned" through their design to improve the electrical performance of the connector.

Impedance Tunability

Turning to FIG. 1A, one "internal" environment is depicted in which the present invention finds significant utility. In this environment, the connectors of the present invention are disposed inside of the exterior wall 108 of an electronic device, such as a computer 101. Hence, the reference to "internal." The connectors of the present invention may also be used in an "external" application, as illustrated in FIG. 1B, wherein one of the connectors 110 is mounted to the circuit board 102, but extends partly through the exterior wall 108 of the device 101 so that it may be accessed by a user from the exterior of the device 101. The connector assembly 100 includes a pair of first and second interengaging connectors, described herein as respective receptacle (or socket) connectors 110 and plug connectors 104. One of these two connectors 110 is mounted to the printed circuit board 102 of the device 101, while the other connector 104 is typically terminated to a cable 105 that leads to a peripheral device.

FIG. 2 is an exploded view of a receptacle, or socket connector, 110 constructed in accordance with the principles of the present invention. The connector 110 is seen to include an insulative connector housing 112 that is formed from a dielectric material. In the embodiment depicted, the housing 112 has two leaf portions 114a, 114b that extend out from a body portion 116 of the housing 112. These housing leaf portions support a plurality of conductive terminals 119 as shown. In

this regard, the lower leaf portion 114a has a series of grooves, or slots 118, formed therein that are adapted to receive selected ones of the conductive terminals 119 therein. The upper leaf portion 114b, has similar grooves 120 (FIGS. 6 & 7) that receive the remaining terminals 119 of the connector 110.

In order to provide overall shielding to the connector housing 112 and its associated terminals 119, the connector may include a first shell, or shield, 123 that is formed from sheet metal having a body portion 124 that encircles the upper and lower leaf portions 114a, 114b of the body portion 116. This first shield 123 may also include foot portions 125 for mounting to the surface 103 of the printed circuit board 102 and which provide a connection to a ground on the circuit board.

Depending foot portions 107 may also be formed with the shield as illustrated in FIG. 1A for use in through-hole mounting of the connector 110, although surface mounting applications are preferred as shown in FIG. 1B. The first shield 123 may, as shown in FIG. 2, include retention members 126 that are received within and which engage slots 127 formed in the connector body portion 116.

The structure of the socket connector 110 illustrated in FIG. 2 permits it to be used in the "internal" application shown in FIG. 1A, as well as in "external" applications (FIG. 1B) where the connector 110 is mounted to the circuit board 102, but where the connector 110 extends partially through and is accessible from an exterior wall 108 of the electronic device.

In order to prevent accidental shocks that may occur when a cable plug connector is inserted into the socket of the receptacle connector 110, a second shield 129 may be provided that extends over the first shield 123 and which is separated therefrom by an intervening insulator element 130. The second shield 129 also has mounting feet 131 integrated therewith and will be connected to a chassis ground so that it is isolated

from the circuit grounds. The second shield 129 preferably has a length L_2 that is greater than the length L_1 of the first shell so that it becomes difficult for user to contact the inner shield 123 when a cable connector is engaged with it.

5 As mentioned earlier, one of the objects of the present invention is to provide a connector having an impedance that more closely resembles that of the system (such as the cable) impedance than is typically found in multi-circuit connectors. The present invention accomplishes this by way of what shall be
10 referred to herein as a tunable "triplet" or "triad," which is an arrangement of three distinct terminals shown at "A" in FIGS. 2, 5A, 5B & 6. In its simplest sense, and as shown in FIG. 5A, such a triplet involves two signal terminals 140, 141 and a single ground terminal 150 that are arranged to mate with
15 corresponding terminals of the plug connector 104 that are terminated to the wires of a differential pair of wires (preferably a twisted pair of wires) **TPA+**, **TPA-**, shown schematically in FIGS. 9A & 9B which carry the same strength signals but which are complements of each other, i.e., +1.0
20 volts and -1.0 volts as well as a ground complement.

As shown best in FIG. 8B, the two signal terminals 140, 141 may have a cantilevered design where each terminal 140, 141 has a surface mount foot portion 142, a contact blade portion 143, and an interconnecting body portion 144. With this design, the
25 terminals 140, 141 may be easily stamped and formed. The terminals 140, 141 are received within slots 118 of the lower leaf 114b of the housing body portion 116 and may include, as shown in FIGS. 2 & 7, endtabs 145 at the free ends of the contact blade portions 143 that are received in openings 117
30 formed in the connector housing body 116 at the ends of the slots 118. In order to "tune" the electrical characteristics of the connector and more closely resemble the impedance of the system, a single ground terminal 150 is provided in association

with each set of differential signal terminals 140, 141. Hence, the term "triplet."

Each such ground terminal, as shown in detail "A" of FIGS. 5A, 5B and 9A, 9B is associated with two differential signal terminals. The schematic diagrams of FIGS. 9A and 9B illustrate the triple terminal concept at "A" and "B". The signal terminals 140, 141 may be considered in one sense, arranged in a triangular fashion with respect to the ground terminal 150.

They may also be considered in another sense as "flanking" the ground terminal inasmuch in some of the orientations discussed herein, portions of the signal terminals extend to a point somewhat exterior of the side edges of the ground terminal 150.

In the embodiments illustrated, the ground terminal 150 is located on the upper leaf portion 114b of the receptacle

connector body 116 and between the two signal terminals 140,

141. In the schematic diagrams shown in FIGS. 9A & 9B, two such triplets are shown in a triangular orientation, with the individual terminals being identified with either an "A" or "B" suffix. Thus, TPA+ and TPA- represent the terminals for the differential signal wires of the "A" pair of wires, while TPA(G) represents the ground terminal for the "A" set of wires.

Likewise, TPB+ and TPB- represent the terminals of the differential signal wires of the "B" pair of wires in the cable, while TPB(G) represents the ground terminal of the "B" wire set.

As described in more detail below, the triangular relationship among these three associated terminals may vary and include equilateral triangular relationships to isosceles triangular relationships and the like.

The associated ground terminal 150, as shown in FIG. 8A, also has a cantilevered design with a surface mount foot portion 152, an intermediate body portion 154 and a contact blade portion 153. As with the signal terminals, the contact blade portion 153 of the ground terminal 150 lies in a different plane than that of its intermediate body portion 154. As seen best in

FIGS. 2, 8A-8B and 9C, the contact blade portions 143, 153 of the signal and ground terminals lie in different, but intersecting planes than their respective terminal body portions 144, 154. Although the preferred embodiment illustrates these two planes as being generally perpendicular horizontal and vertical planes, it will be understood that such planes need not be perpendicularly intersecting or lying in exact horizontal and vertical planes to effect the advantages of the invention. It is desirable, however, that the two planes intersect with each other. The contact portions of the signal and ground terminals extend through substantially all of the connector housing as shown in FIG. 9C, from a point where they enter the housing to at least near the front endface of the connector. The triangular orientation of the three terminals is preferably maintained throughout the connector housing.

Still further, the surface mount portions 142, 152 of the signal and ground terminals 140, 141, 150 may lie in a plane generally parallel to that of their respective contact blade portions 143, 153. The mounting portions of the signal and ground terminals may also utilize through-hole members 195 (FIG. 1A) for mounting purposes. The interaction between the surface area and location of the ground and signal terminals is explained below.

By this structure, each pair of the differential signal terminals of the cable or circuit have an individual ground terminal associated with them that extends through the connector, thereby more closely resembling both the cable and its associated plug connector from an electrical performance aspect. Such a structure keeps the signal wires of the cable "seeing" the ground in the same manner throughout the length of the cable and in substantially the same manner through the plug and receptacle connector interface and on to the circuit board. This connector interface is shown schematically in FIG 13. and may be considered as divided into four distinct Regions, I-IV,

insofar as the impedance and electrical performance of the overall connection assembly or system is concerned. Region I refers to the cable 105 and its structure, while Region II refers to the termination area between the cable connector 104 and the cable 105 when the cable is terminated to the connector. 5 Region III refers to the mating interface existent between the cable connector and the board connector 110 that includes the mating body portion of the connectors 104, 110. Region IV refers to the area that includes the termination between the board connector 110 and the circuit board 103. The lines "P," "N," and "M" of FIG. 11 have been superimposed upon FIG. 13. 10

The presence of an associated ground with the signal terminals importantly imparts capacitive coupling between the three terminals. This coupling is but one aspect that affects the ultimate characteristic impedance of the terminals and their 15 connector. The resistance, terminal material and self-inductance are also components that affect the overall characteristic impedance of the connector insofar as the triplet of terminals is concerned. In the embodiment shown in FIG. 5B, the width D_2 of the ground terminal blade portion 153' is large enough so that it extends over, or at least partially overlaps 20 portions of the signal terminals 140', 141'. Preferably, in instances such as that represented in FIG. 5B, a portion of the ground terminal 150' always overlies or overlaps, a portion of at least one of the signal terminals, 140', 141'. In other 25 instances, such as that represented by FIG. 5A, the ground terminal 150 may lie between or abut imaginary lines S drawn up from the side edges of the signal terminals 140, 141. The larger width D_2 of the ground terminal blade portion 153' has a consequent larger surface area compared to the surface areas of 30 the signal terminal contact blade portions 143' and hence, the ground terminal blade portion 153' presents a larger and overlapping contact mating area in the region above the signal terminals 140', 141'.

In order to preserve the small "footprint" of the receptacle connector 110 on the circuit board, the present invention, in the embodiment shown, may reduce the width of the ground plane in the ground terminal body portion 154' as well as in the surface mount foot portions 152'. For the most part, the width of the ground terminal in the mounting portions 152' will be the same and in some instances as illustrated in FIGS. 14 & 15, the width of the ground terminal body portion may be increased. By reducing the width of the ground terminal 150' in its body portion 154' in the second plane thereof so that it may fit between the differential signal terminals, the distance between the signal terminals (TPA+ and TPA-) is also reduced to maintain a like capacitive coupling through the connector by maintaining a preselected substantially constant impedance between the ground terminal and the signal terminals. The impedance of the connector (as well as the coupling between the terminals) is affected by the spacing between the adjacent signal terminals 140', 141' as well as between the signal and ground terminals. Still further, the material used between the terminals, such as air, the housing material, or a combination of both, will present either a dielectric constant or a composite dielectric constant in the areas between the signal and ground terminals.

By reducing the width of the ground terminal body portion 154' in the embodiment of FIG. 5B, the overlapping aspect between the contact blade portions 153', 143' of the ground and signal terminals stops in a first plane (shown as horizontal), but no longer overlap in the second, intersecting (vertical) plane. Rather, in this second plane the ground terminal body portion 154' may be aligned with the signal terminals 144' in an edge-to-edge arrangement. Although there is less cross-sectional area of the ground terminal in these planes, the ground terminal is now closer to the signal terminals and hence like coupling between the terminals is maintained.

In the region of the first plane, namely that of the ground and signal terminal contact blade portions which lie in the mating interface of Region III of FIG. 18, the overall plate size of the ground terminal 150' is increased relative to that of the signal terminals 140', 141' to thereby selectively diminish the impedance as referred to above. Likewise, in the second plane, occupied by both the signal ground terminal body portions 144', 154', the spacing between the ground terminal 150' and the signal terminals 140', 141' is reduced so that the ground and signal terminals are brought closer together to thereby reduce the impedance of the connector. The signal ground terminal contact blade portions 143, 143' of the triplets are preferably maintained in the same plane as illustrated in FIGS. 5A & 5B, and along the lower leaf portion 114a of the connector housing 112. This notably permits the impedance of the connector to be tuned from a spacing aspect but also facilitates the mechanical engagement of the two connectors. By providing a ground terminal with a larger contact blade portion, the mating contact between such terminals and the opposing ground and signal terminals of the other (plug) connector is improved without detrimentally affecting impedance.

The effect of this tunability is explained in FIG. 11, in which a reduction in the overall impedance discontinuity occurring through the connector assembly is demonstrated. The impedance discontinuity that is expected to occur in the connectors of the present invention is shown by the dashed line 60 of FIG. 11. The solid line of FIG. 11 represents the typical impedance discontinuity that is experienced in the connector system of FIG. 13. By comparing the dashed and solid lines, the magnitudes of the peaks and valleys of this discontinuity, H_{11} , H_{22} and H_{33} , are greatly reduced. The present invention is believed to significantly reduce the overall discontinuity experienced in a conventional connector assembly. In one application, it is believed that the highest level of

discontinuity will be about 135 ohms (at H_{11}) while the lowest level of discontinuity will be about 85 ohms (at H_{22}). The target baseline impedance of connectors of the invention will typically be about 110 ohms with a tolerance of about +/- 25
5 ohms. It is contemplated therefore that the connectors of the present invention will have a total discontinuity (the difference between H_{11} and H_{22}) of about 50 ohms, which results in a decrease from the conventional discontinuity of about 90 ohms referred to above of as much as almost 50%.

10 The tunability and impedance characteristics may also be affected, as stated earlier by the dielectric between the terminals. In this regard, and as shown best in FIG. 6, the lower leaf portion 114a of the connector housing 112 may itself be slotted, as at 160 to form an air gap 161 between halves of
15 the lower leaf portion 114a. Likewise, the signal (and other) terminals 140, 141 or 140', 141' may be separated from each other on the lower leaf portion 114a by a similar air gap 162 that is defined by a channel 163 formed in the lower leaf portion 114a. These channels 163, as seen in FIG. 6, extend
20 only partially through the thickness of the lower leaf portion 114a so as to preserve the structural integrity of the lower leaf portion.

Turning now to FIGS. 4 and 4A, an opposing mating connector 104 is shown in the form of a plug connector 170 that has an
25 insulative connector housing 171 formed from a dielectric material in a complimentary configuration to that of the receptacle connector 110 so as to facilitate and ensure the proper mating therebetween. In this regard, the connector housing 171 has a base portion 172 with two portions 173 that
30 extend therefrom and which are separated by a gap 174 that serves as a keyway in the receptacle connector housing body key 134. This key 134 of the receptacle connector may be found on the upper leaf portion, as shown in FIGS. 2, 3, 6 and 7, or it may be formed on the lower leaf portion thereof as shown in

FIGS. 9C and 17. The housing is hollow and contains signal, ground and other terminals held in internal cavities of the housing 171 (not shown).

Two terminals are shown in FIGS. 10A and 10B which are
5 representative of the type of terminal structure that is preferred for use in the plug connector 110. FIG. 10A illustrates a ground terminal 180 having a flat body portion 181 that interconnects a contact portion 182 to a wire termination portion 183. The terminal 180 has a free end 184 which is
10 received in a cavity 175 at the end of the connector housing 171. The contact portion 182 is bent at an upward angle so that it will project out of a contact opening 176 in alignment with and in opposition to a corresponding ground terminal 150, or 150', of the receptacle connector 110.

15 The signal terminal 190 (FIG. 10B) is likewise structured and has a body portion 191 with a reduced width compared to that of the ground terminal body portion 181 in order to effect coupling between the signal and ground terminals. The body portion 191 interconnects a contact portion 192 with a
20 termination portion 193 and the contact portion 192 is also bent at an angle to protrude through a corresponding opening 176 in the connector housing 171. These openings and the terminal contact portions appear on the lower surface of the connector base portion 172 as shown in FIG. 9C, and they are aligned with
25 the terminal free end cavities 175 that are shown in the front face of the connector housing 171.

The grounded signal terminals 180, 190 of the plug connector 170 (as well as the other terminals) may be considered as "movable" contacts in that they are deflected toward the
30 center of the plug connector housing 171 when the plug connector 170 is engaged with the receptacle connector 110. The grounded signal terminals 140, 141, 150 (as well as the other terminals) may be considered as "fixed" terminals because they do not move during engagement and disengagement of the two connectors. In

the schematic views of FIGS 9A and 9B, the solid rectangles represent the "movable" terminals described above, while the dashed adjacent rectangles represent the "fixed" terminals as described above. These Figures, along with FIGS. 5A and 5B
5 illustrate the triangular relationship of the differential signal wires **TPA+**, **TPA-** with their associated ground terminal **TPA(G)**. Each such terminal may be considered as defining a vertex of a triangle that is formed when imaginary lines are drawn interconnecting adjacent terminals as shown by the dashed
10 lines **R** in FIG. 9B. In this description and in the execution of the invention, the ground terminal may be considered as being the apex, or "tip" of the imaginary triangle.

In a manner consistent with that set forth above with respect to the board connector and its signal and ground
15 terminals 140, 140', 141, 141" and 150, 150', the terminals 180, 190 of the cable connector 170 are also structured to provide a desired impedance by way of their shapes and by way of the aforementioned triangular relationship.

As shown in FIGS. 10A and 10B, the ground and signal
20 terminals 180, 190 each have respective contact portions 182, 192 that engage opposing contact portions 153, 143 of the ground and signal terminals 150, 140 of the opposing board connector 110. As shown in FIG. 9C, these cable connector terminal
25 contact portions 182, 192 have a length approximately equal to the corresponding lengths of the terminal contact portions 153, 143 of the board connector 110. As might be expected, the widths and surface areas of the cable connector ground terminal contact portion 182 need not be increased because when the two
30 connectors 110, 170 are engaged together, the geometry of the board connector contact portions 153, 143 will dominate the mated connectors and the impedance formed as a result of the mating engagement that occurs in Region III in FIG. 13.

In order to continue this desired impedance and electrical performance, as shown in FIGS. 10A and 10B and as explained

above, the interconnecting body portion 181 of the ground terminal 180 is larger and preferably wider than one or both of the two signal terminal interconnecting body portions 191. This increase in width increase the surface area of the ground terminal at that area, i.e., the body portion of the connector, which increases capacitive coupling among the ground terminal 180 and its two associated signal terminals 190.

As shown in FIG. 9C, these terminals 180, 190 are also spaced apart along their contact portions 182, 192, along their body portions 181, 191 and, as illustrated by the solid rectangles of FIGS. 9A and 9B, are arranged in a triangular relationship with the cable connector ground terminal 180, and being located at the apex of the triangle. It can be seen that this triangular relationship will continue and maintain the electrical balance of the connector system throughout the interface, from the circuit board to the cable. In the preferred execution of the invention for this embodiment, the width of the ground terminal body portion 181 is preferably twice as wide as any single corresponding signal terminal body portion 191. The body portion 191 of the signal terminal 190 in FIG. 10B is shown as having a somewhat slight triangular configuration at its rear part. This specific portion serves to provide engagement points with the connector housing 171 to hold the terminals 190 in the connector housing 171 after molding. With this difference in terminal geometries, the width and surface area relationships of the board connector 110 may be likewise maintained in the cable connector 105.

The dimensions and configuration of the termination portions of the cable connector terminals 180, 190 may also be structured to not only maintain the beneficial electrical relationship established within both the cable 105 and the cable connector 104, but also to maintain the approximate geometry of the cable 105 in the connector termination area and to

facilitate the termination of the cable 105 to such a connector 104.

By manipulating the distance between the ground and signal terminals of the board connector, the impedance of the system, and particularly the board connector may be changed, or "tuned." This is done because capacitive coupling occurs between the two signal terminals of the connector and the ground terminal. The spacing of the terminals also affects the impedance of the system. This relationship is best shown in FIG. 16, which displays the impedance profile that one would expect to obtain with the system of the invention where the impedance is charted as a function of the distance of the ground terminal G from the baseline along which the two associated signal terminals S_1 and S_2 of the system lie. The first such plot is shown in solid line and indicated at "1" to the left of FIG. 16. In this plot, the ground terminal G is level with its two associated signal terminals S_1 and S_2 as would be found in a conventional single row arrangement within a connector.

The second plot of interest in FIG. 16 is indicated at "2" and is shown by way of a dotted line, which represents the impedance values that are expected to occur when the ground terminal G is moved up from the initial level it shared with the two signal terminals S_1 and S_2 . In this plot, it can be seen that the two peaks have been reduced as well as the interconnecting dip. Moving the ground terminal G , to its preferred distance as indicated by "3" to the left of FIG. 16. This plot is indicated by a dotted and dashed line. In this plot, it can be seen that the two peaks are substantially flattened and the interconnecting dip has been raised so as to smooth over the impedance curve and reduce the sharp and abrupt peaks and valleys.

In the optimum separation as represented by "2" in FIG. 16, the triangular relationship among the three signal and ground

terminals approximates an equilateral triangle, while the middle separation indicated at "2" displays a triangular relationship that approximates an isosceles triangle. Other triangular relationships may be also utilized.

5 Other such relationships are illustrated in FIGS. 17A through 17C. In FIG. 17A, a triangular arrangement of terminals that includes one ground terminal 150 and two signal terminals 140, 141 is illustrated but where the signal terminals take the form of wires or other round shapes as opposed to flat,
10 rectangular terminals. In this arrangement, imaginary lines drawn through the terminals (shown as dashed lines) will define an imaginary triangle. In FIG. 17B, the imaginary lines are drawn through the centers of the terminals 140, 141 and 150 and approximately define an imaginary right triangle.

15 Similarly, the imaginary lines are drawn through the terminals again, but an approximate scalene triangle is defined. The signal terminals 140, 141 of FIG. 17C may differ in their orientation to each other and may lie in different horizontal planes, PL_1 and PL_2 , from each other as well as the plane PL_3 , in
20 which the ground terminal 150 is disposed. In this type of terminal orientation, the structure of the connector housing may be modified to define two different rows that will support the signal terminals. With such a structure the difference in level between the two signal terminals may permit the incorporation of
25 a "keying" aspect for the connector that utilizes the terminal level differences.

In shall be understood that these illustrations are merely exemplary of the many different triangular presentations which the connectors of the present invention may take.

30 The widths of the ground and signal terminals also affects the coupling and the impedance of the system, which also includes the resistance of the terminals, which in turn is also a function of the dimensions of the terminals. Previously, as shown in FIG. 5B, the contact portion 153 of the ground terminal

150 has been shown as having an increased width, or surface area as compared to the contact portions 143 of the two associated signal terminals 140, 141. The width of the ground terminal may also be increased in other portions thereof.

5 Turning now to FIG.14, the rear end of a board connector of the invention is shown generally at 800. The connector 800 has an outer shell or wall 801, through which a series of conductive terminals extend. Two sets of "triples" are shown in this embodiment, and each such triple includes a ground terminal 802
10 and two associated signal terminals 810, 811. Other terminals, such as power and status terminals 820, 821, may also be included. These terminals all enter into the connector from the rear endface thereof, and then a suitably insulative material is then molded around it to form the connector.

15 The ground terminals shown in FIG. 14 have a contact or mating portion 804 that extends in a cantilevered fashion from a terminal body or transition portion 805 and the transition portions 805 may extend until they meet mounting portions, which may be either surface mount mounting portions 807 as explained
20 above, or through hole mounting portions 806. In this type of connector structure, the width of the ground terminals in the connector 800 may be increased along their extent to provide a greater surface area of the ground terminal 802 and present the same to its two associated signal terminals 810, 811.

25 FIG. 15 illustrates the connector of FIG. 14 in a surface mount application and also illustrates how the increased width body, or transition, portions of the ground terminal 802 may be aligned with the body or transition portions of the signal terminals so as not to unduly increase the size and overall
30 "footprint" of the connector 800.

While the preferred embodiments of the invention have been shown and described, it will be apparent to those skilled in the art that changes and modifications may be made therein without

departing from the spirit of the invention, the scope of which is defined by the appended claims.

Claims:

1. A connector for providing a connection between a mating connector and a circuit board, the mating connector being terminated to a cable having at least one differential pair of signal wires and a ground associated with said signal wires, the connector comprising:

5 a housing formed from an electrically insulative material, a triad of conductive terminals disposed in said housing, said triad including one ground terminal and two differential signal terminals associated with said ground terminal,

10 each of said ground and signal terminals including a contact portion for contacting a corresponding opposing terminal of said mating connector, a mounting portion for terminating said terminals to associated circuits on said circuit board, and a transition portion for interconnecting said contact and mounting portions together, said ground and signal terminal contact portions entering said housing and being at least partially supported thereby,

20 said ground terminal extending between said two signal terminals along said mounting portions thereof and for along part of said transition portions thereof, said ground terminal contact portion and said signal terminal contact portions being spaced apart from each other in said housing, and extending within said housing in a triangular orientation.

25 2. The connector as set forth in claim 1, whereas said ground and signal terminals define vertices of an imaginary triangle when three imaginary lines are drawn interconnecting said ground and signal terminals.

3. The connector as set forth in claim 1, wherein said ground and signal terminal mounting portions include through hole mounting feet, and said ground and signal terminal mounting and transition portions are disposed in a common plane.
4. The connector as set forth in claim 1, wherein said ground and signal terminal contact portions extend in respective first and second planes, and said ground and signal terminal transition portions are disposed in a common plane
5 that intersects the first and second planes.
5. The connector as set forth in claim 4, wherein said ground and signal terminal mounting portions include surface mounting feet that generally extend in a fourth plane that intersects said common plane.
6. The connector as set forth in claim 4, wherein said first and second planes are generally parallel to each other and said first plane extends above said second plane.
7. The connector as set forth in claim 4, wherein said ground and signal terminal mounting portions are disposed in a fourth plane, and said common plane in which said ground and signal terminal transition portions lie intersects said
5 first, second and fourth planes.
8. The connector as set forth in claim 1, wherein said ground and signal terminal contact portions are cantilevered from their respective ground and signal transition portions.
9. The connector as set forth in claim 1, wherein said ground terminal transition portion has a first preselected width and said ground terminal contact portion has a second

preselected width that is greater than said first
5 preselected width.

10. The connector as set forth in claim 9, wherein said ground terminal contact portion second preselected width is greater than a corresponding width of one of said signal terminal contact portions.
11. The connector as set forth in claim 10, wherein said ground terminal contact portion preselected width greater than the sum of said two signal terminal contact portion corresponding widths.
12. The connector as set forth in claim 1, wherein said ground terminal contact portion has a width sufficiently large so that said ground terminal contact portion overlaps portions of said signal terminal contact portions.
13. The connector as set forth in claim 1, wherein said ground terminal contact portion has a surface area that is greater than the surface area of said signal terminal contact portions.
14. A connector for providing a connection between a cable connection and a circuit board, the cable having at least one differential pair of wires and a ground associated with said differential wire pair, comprising:
5 an electrically insulative housing, at least three conductive terminals disposed in said housing, one of said terminals being a ground terminal for mating with a corresponding ground terminal of said cable connector, and the remaining two of said terminals being differential
10 signal terminals for mating with corresponding differential

signal terminals of said cable connector, said three terminals each including tail portions for mounting to said circuit board, contact portions supported by said housing and transition portions interconnecting said tail and
15 contact portions,

said signals and ground terminals being arranged in a first preselected orientation along their tail portions and transition portions and in a second preselected orientation along their contact portions, such that in said first
20 preselected orientation, said ground terminal is disposed between said two signal terminals and in said second preselected orientation, said ground terminal is spaced apart from said two signal terminals such that said ground and signal terminal contact portions are arranged at
25 vertices of an imaginary triangle.

15. The connector of claim 14, wherein in said first preselected orientation, said ground and signal terminal mounting and transition portions are arranged in line with each other.
16. The connector of claim 14, wherein said ground terminal has a varying width along its length, the width of said ground terminal in said contact portion thereof being greater than the width of said ground terminal in said transition
5 portion thereof.
17. The connector of claim 14, wherein said housing includes first and second leaf portions, said ground terminal contact portion being disposed on said housing first leaf portion and said signal terminal contact portions being
5 disposed on said housing second leaf portions.

18. The connector of claim 17, wherein said housing includes three additional terminals associated with an additional differential wire pair, the three additional terminals including an additional ground terminal and two additional signal terminals, said additional ground terminal contact portion being spaced apart from said additional signal terminal contact portion in said housing such that said additional ground and signal terminal contact portions are arranged at vertices of an additional imaginary triangle.

19. The connector of claim 18, wherein said ground and additional ground terminals are respectively disposed at the apexes of said imaginary triangle and said additional imaginary triangle.

20. The connector of claim 14, wherein said signal terminal contact portions lie in a first common plane and said ground terminal contact portion lies in a second plane.

21. An I/O connector assembly for effecting a connection between first and second electronic components, the components each including at least one differential pair of signal circuits and an associated ground circuit, the connector assembly comprising:

first and second connectors, each of the first and second connectors having respective first and second connector housings each of said first and second connector housings having opposing mating and terminating faces disposed thereon, said first connector being terminated to the first electronic component at said terminating face thereof and said second connector being terminated to the second electronic component at said terminating face thereof,

15 said first and second connectors being engagable at
said mating faces thereof to effect said connection
between said first and second electronic components,
 said first and second connectors including
20 respective first pairs of signal conductive terminals,
that engage each other when said first and second
connectors are engaged together, and said first and
second connectors including respective ground
terminals that are associated with respective ones of
25 said first pair of signal terminals, the respective
ground terminals engaging each other when said first
and second connectors are engaged together,
 each of said ground and signal terminals of said
first connector having flat contact blade portions,
mounting portions and body portions interconnecting
30 said contact blade and body portions together, said
ground and signal terminal contact blade portions
being spaced apart from each other and extending in
first and second distinct planes, said ground and
signal terminal body portions extending in a third
35 plane that intersects with said first and second
planes so that said ground and signal terminal contact
blade and body portions extend at angles to each
other.

22. The connector assembly of claim 21, wherein said first
connector housing includes distinct first and second leaf
portions that extend from said first connector housing,
said first leaf portion supporting said signal terminal
5 contact blade portions and said second leaf portion
supporting said ground terminal contact blade portion.

23. The connector assembly of claim 22, wherein each of said first and second leaf portions include slots that receive said ground and signal terminals therein.
24. The connector assembly of claim 22, wherein first leaf portion includes at least one channel formed therein between said signal terminal contact blade portions.
25. The connector assembly of claim 22, wherein said first and second leaf portions are spaced apart from each other.
26. The connector assembly of claim 22, wherein said second connector housing includes a plug portion and said second connector signal terminals are presented along a first side of said plug portion and said second connector ground terminal is presented along a second side of said plug portion, said second connector signal and ground terminals respectively opposing said first connector first and second leaf portions when said first and second connectors are engaged together.
27. The connector assembly of claim 21, wherein said first connector ground terminal is separated from said first connector signal terminals by an air gap.
28. The connector assembly of claim 21, wherein said first and second planes are parallel planes such that said first connector ground terminal contact blade portion is spaced apart from said first connector signal terminal contact blade portions and said first connector ground terminal body portion is disposed between said first connector signal terminal body portions.

29. The connector assembly of claim 21, wherein said first connector ground and signal contact blade portions are cantilevered with respect to said first connector ground and signal body portions.

30. An I/O connector for providing a connection between a mating connector terminated to a cable and a circuit board, the cable having at least one differential pair of signal wires and a ground associated with said signal wires, the
5 connector comprising:

a housing formed from an electrically insulative material, a triplet of conductive terminals supported by said housing, said triplet including a distinct arrangement of two signal terminals and one ground terminal,

10 each of said triplet terminals including a contact portion for contacting a corresponding opposing terminal of said mating connector, a connecting portion for connecting said terminals to associated circuits on said circuit board, and an intervening body portion that interconnects
15 said contact portion and said connecting portion together, said triplet terminal contact portions and said body portions being angled with respect to each other,

said contact portions of said two signal terminals of said triplet being spaced apart from each other and
20 disposed in side-by-side order along said connector housing, said triplet ground terminal contact portion being spaced apart from said two signal terminal contact portions and aligned therewith, said triplet ground terminal body portion being spaced apart from and generally between said
25 triplet two signal terminal body portions, and, said contact portion of said triplet ground terminal is spaced apart from said contact portions of said triplet signal terminals in a manner so as to define a triangular

30 configuration among said contact portions of said triplet
ground and signal terminals that extends through said
housing.

31. A connector for providing a connection between a cable
connector and a circuit board, the cable having at least
one differential pair of wires and a ground associated with
said differential wire pair and the cable connector having
5 at least one ground terminal and two signal terminals
leading from said ground and differential wire pair, the
connector comprising:

an electrically insulative housing, at least three
conductive terminals disposed in said housing, one of said
10 terminals being a ground terminal for mating with the
ground terminal of said cable connector, and the remaining
two of said terminals being differential signal terminals
for mating with the differential signal terminals of said
cable connector, said three terminals each including
15 mounting portions for mounting to said circuit board,
contact portions supported along said housing and
transition portions interconnecting said mounting and
contact portions,

said signal and ground terminals being arranged in a
20 first preselected orientation along their mounting and
transition portions and in a second preselected orientation
along their contact portions, such that in said first
preselected orientation, said ground terminal is disposed
between said two signal terminals and in said second
25 preselected orientation, said ground terminal is spaced
apart from said two signal terminals such that said ground
and signal terminal contact portions are arranged at
vertices of an imaginary triangle.

32. The connector of claim 31, wherein said ground terminal has a rectangular cross-section through said contact portion thereof and said signal terminals have rounded cross-sections through said contact portions thereof.

33. A connector for providing a connection between a mating connector and a circuit board, the mating connector being terminated to a cable having at least one differential pair of signal wires and a ground associated with said signal wires, the connector comprising:

5 a housing formed from an electrically insulative material, a triad of conductive terminals disposed in said housing, said triad including one ground terminal and two differential signal terminals associated with said ground terminal,

10 each of said ground and signal terminals including a contact portion for contacting a corresponding opposing terminal of said mating connector, a mounting portion for terminating said terminals to associated circuits on said circuit board, and a transition portion for interconnecting said contact and mounting portions together, said ground and signal terminal contact portions entering said housing and being at least partially supported thereby,

20 said ground terminal having a width that increases from a first preselected width in said mounting portion thereof to a second preselected width in said transition portion thereof that is greater than said first preselected width.

34. The connector of claim 33, wherein said ground terminal extending between said two signal terminals along said mounting portions thereof and for along part of said transition portions thereof, said ground terminal contact

- 5 portion and said signal terminal contact portions being spaced apart from each other in said housing, and extending within said housing in a triangular orientation
35. The connector as set forth in claim 34, whereas said ground and signal terminals define vertices of an imaginary triangle when three imaginary lines are drawn interconnecting said ground and signal terminals.

FIG. 1A

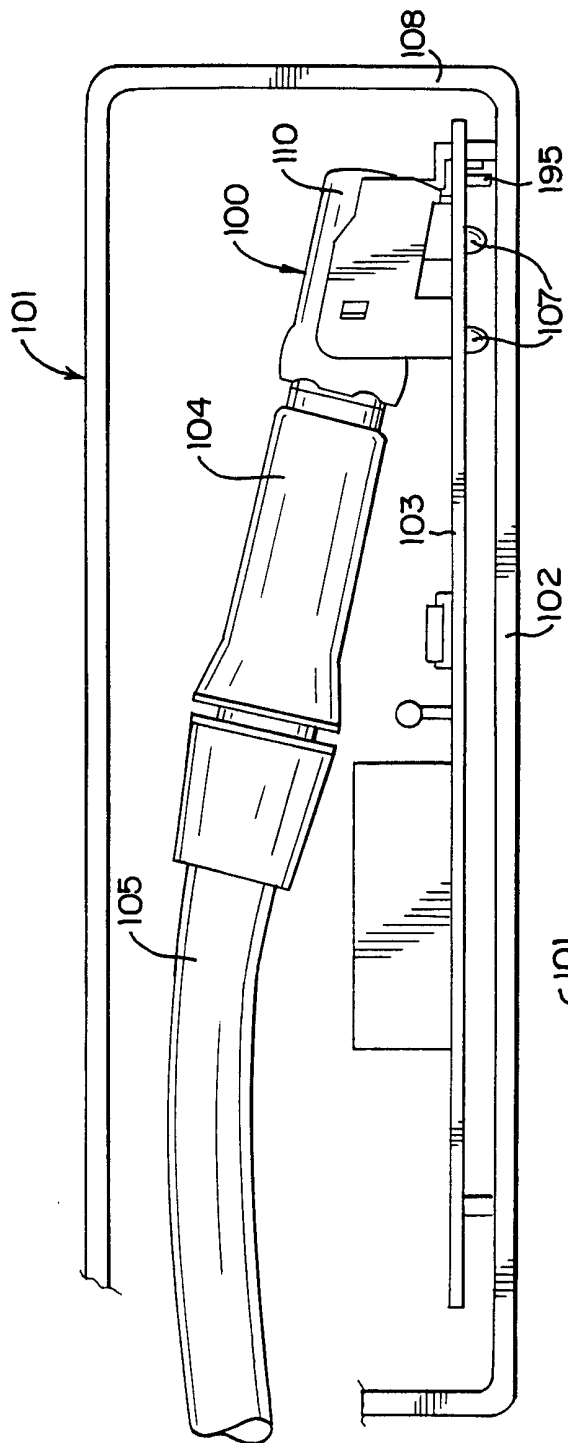
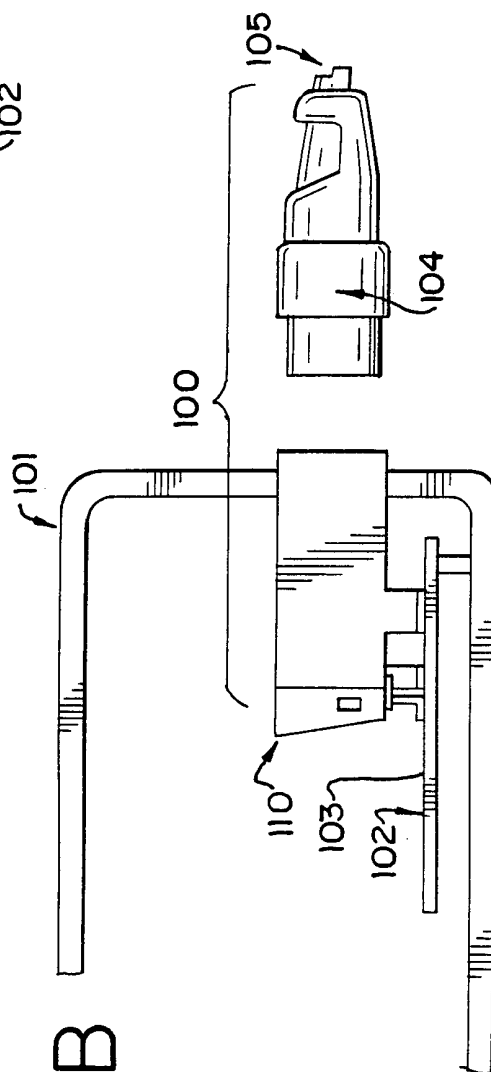


FIG. 1B



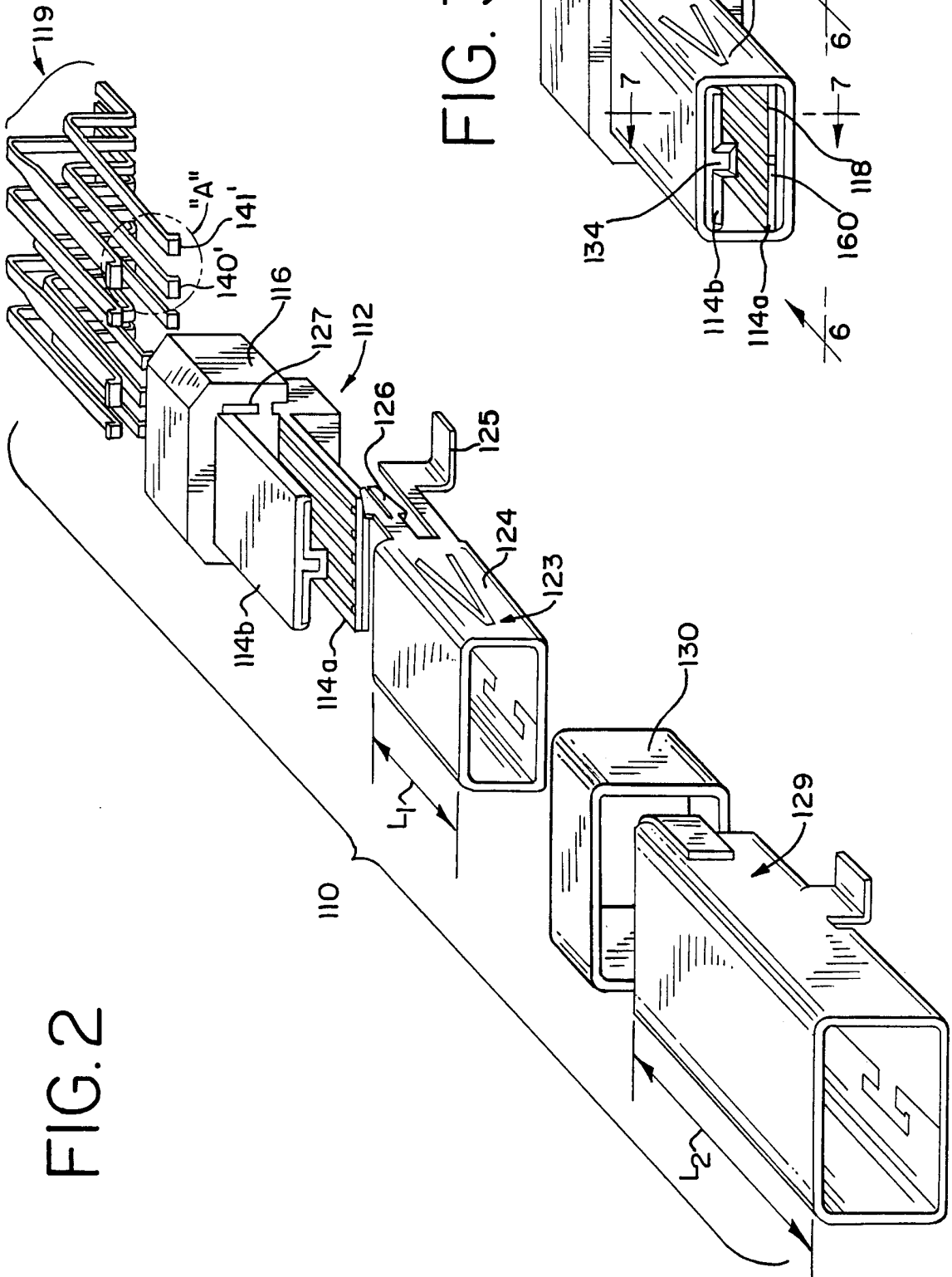


FIG. 2

FIG. 3

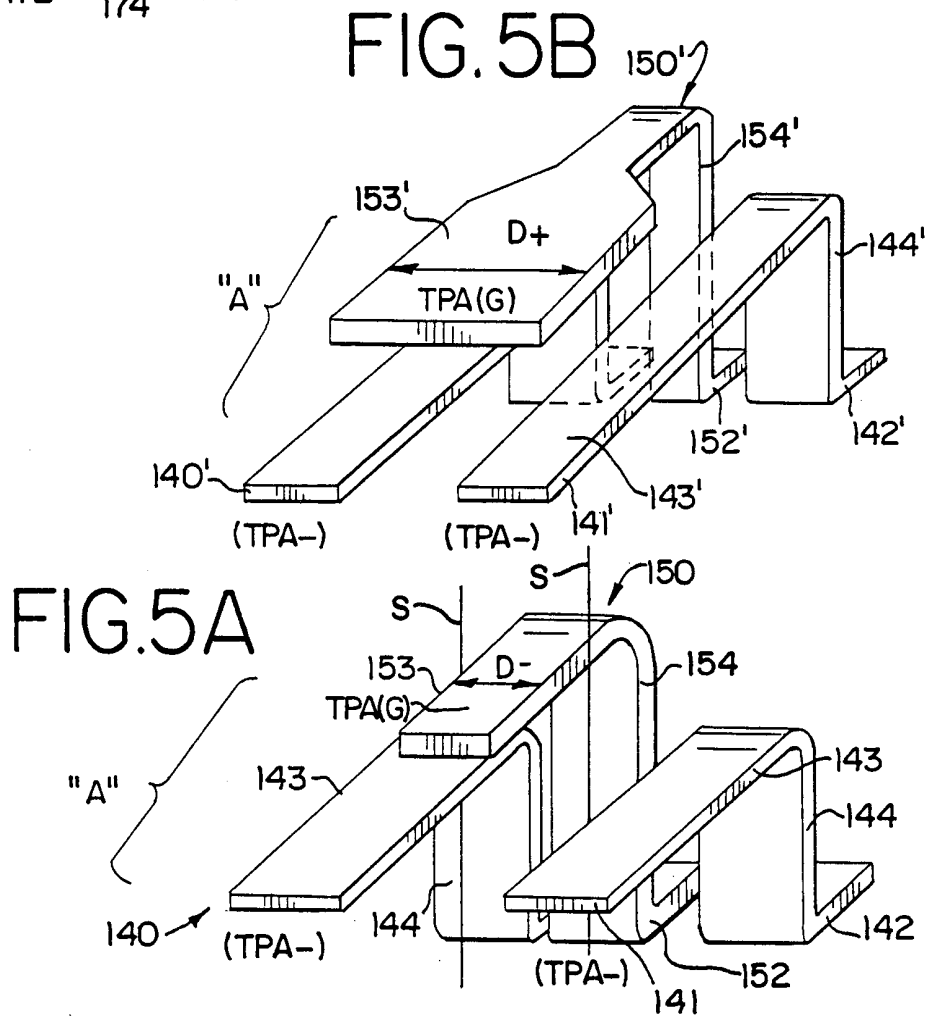
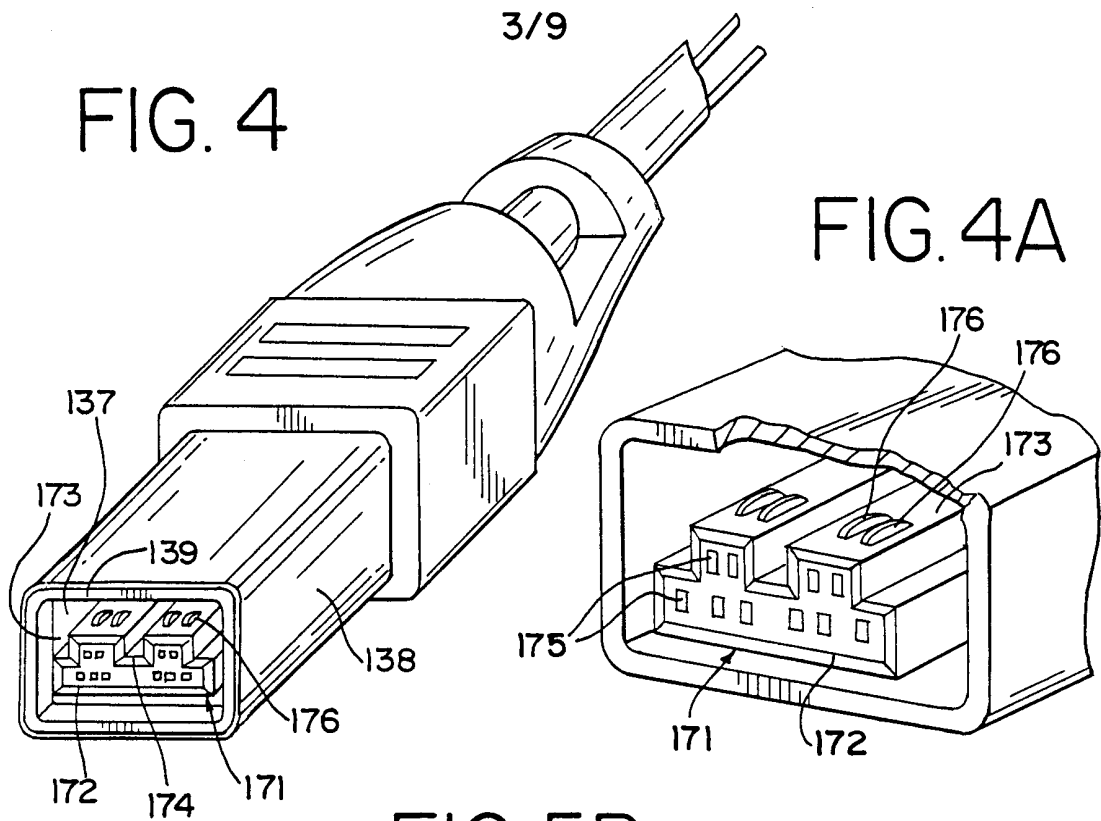


FIG. 6

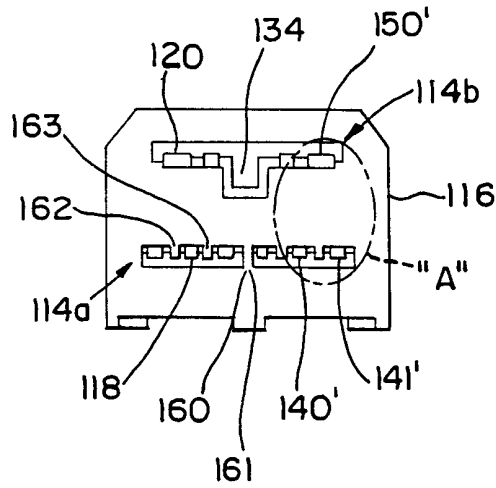


FIG. 7

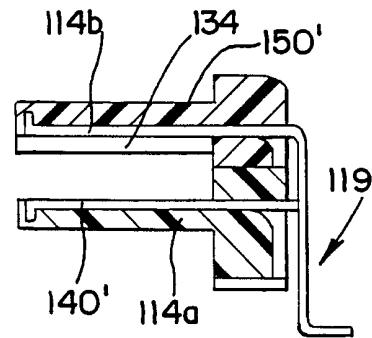


FIG. 8A

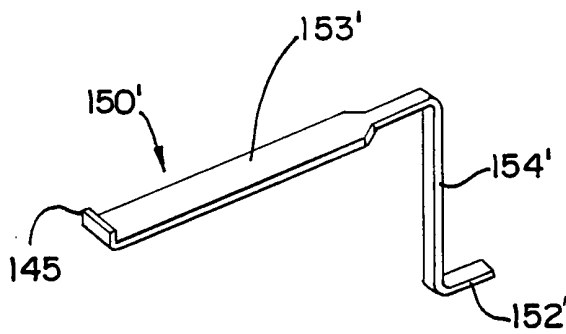


FIG. 8B

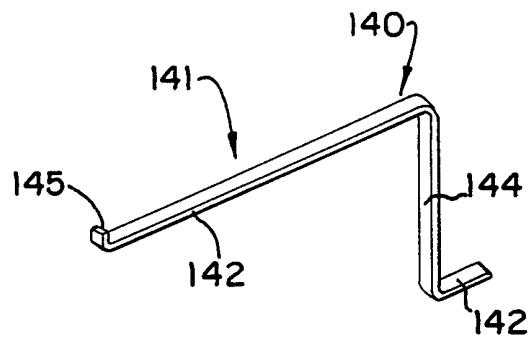


FIG. 9A

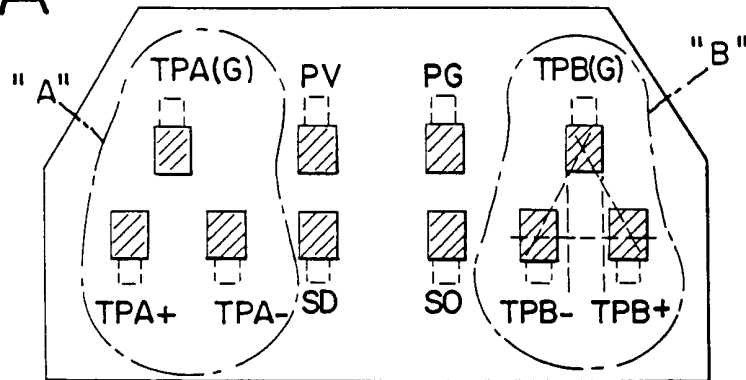


FIG. 9B

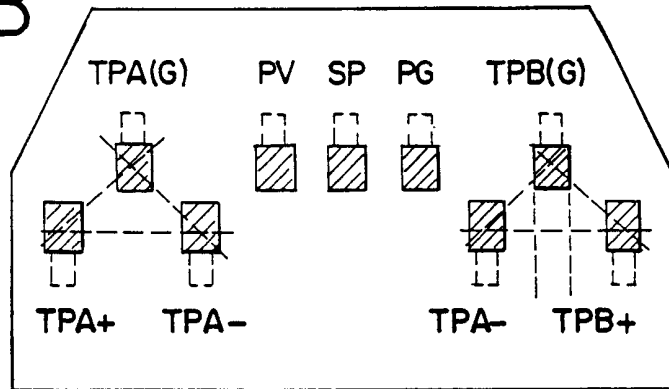


FIG. 9C

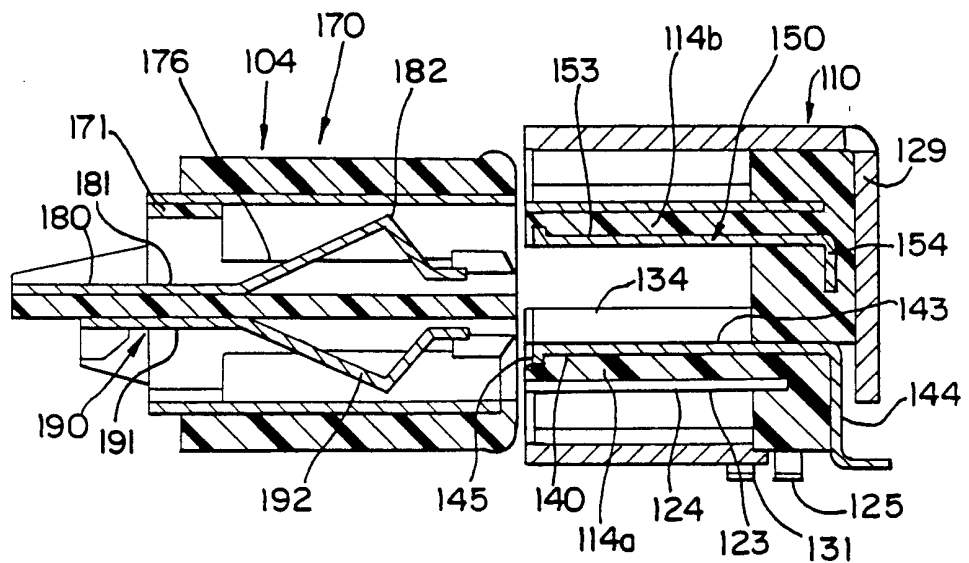


FIG. 10A

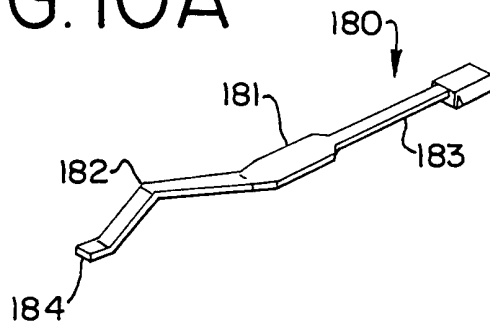


FIG. 10B

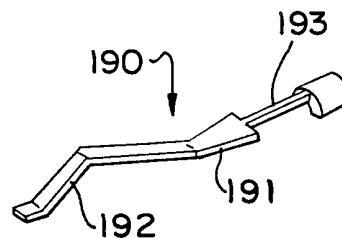


FIG. II

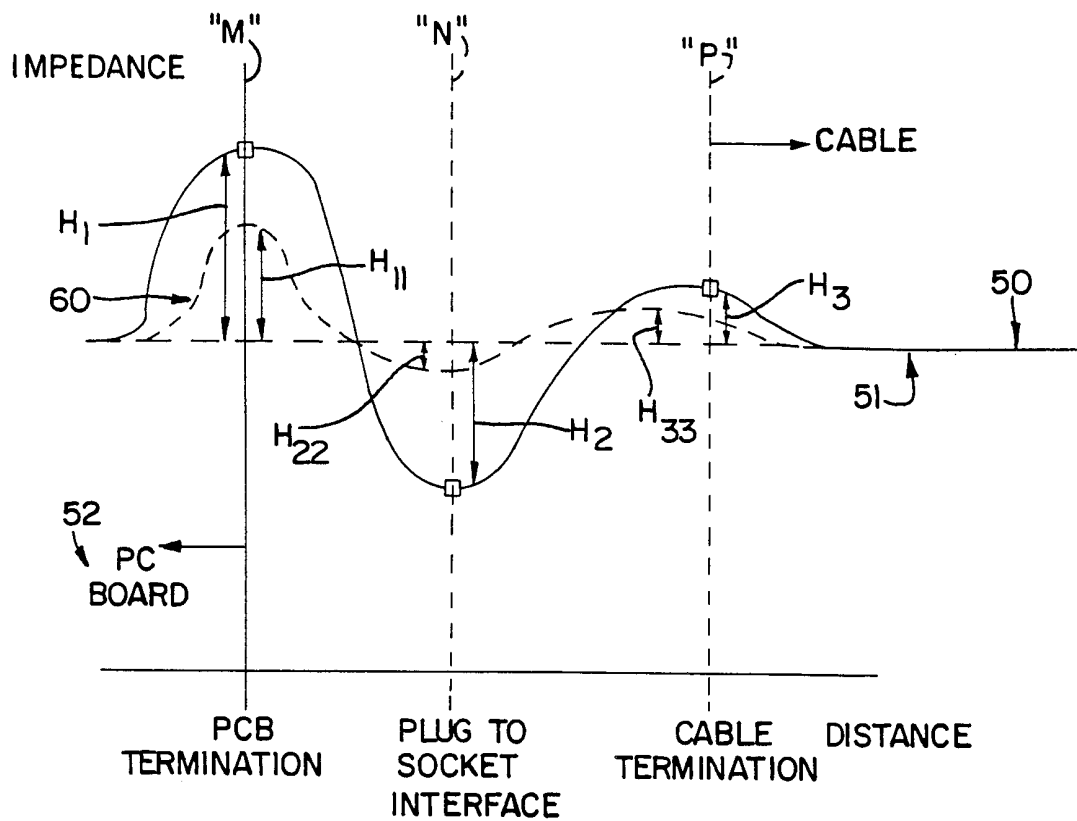


FIG. 12

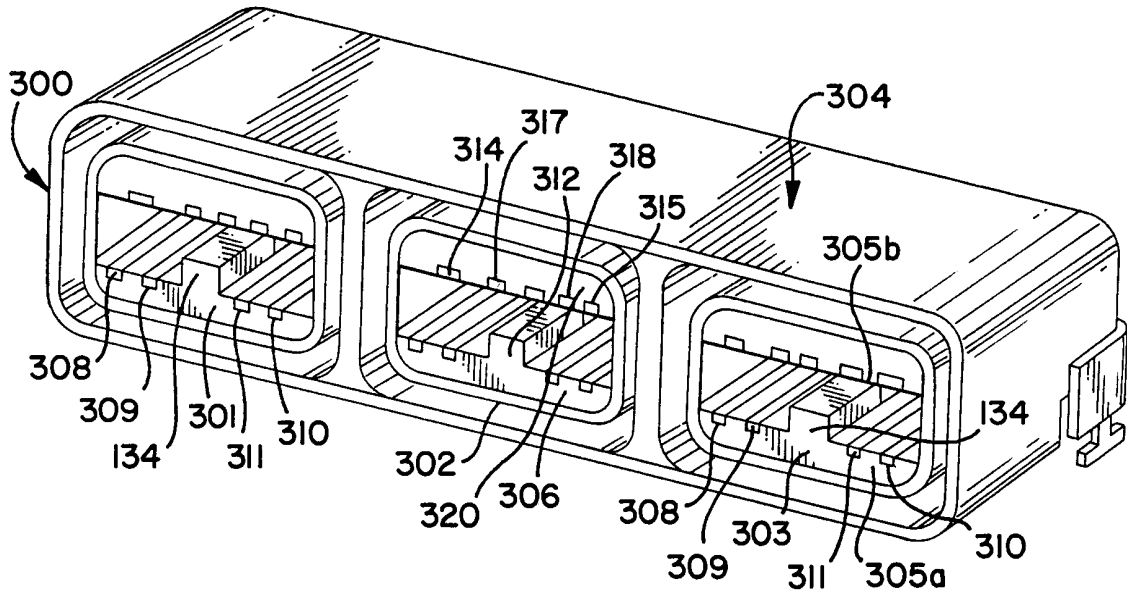
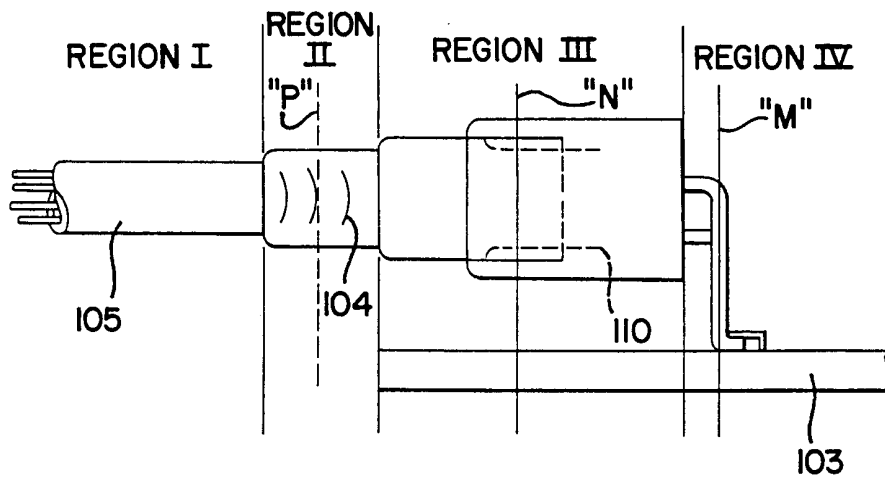


FIG. 13



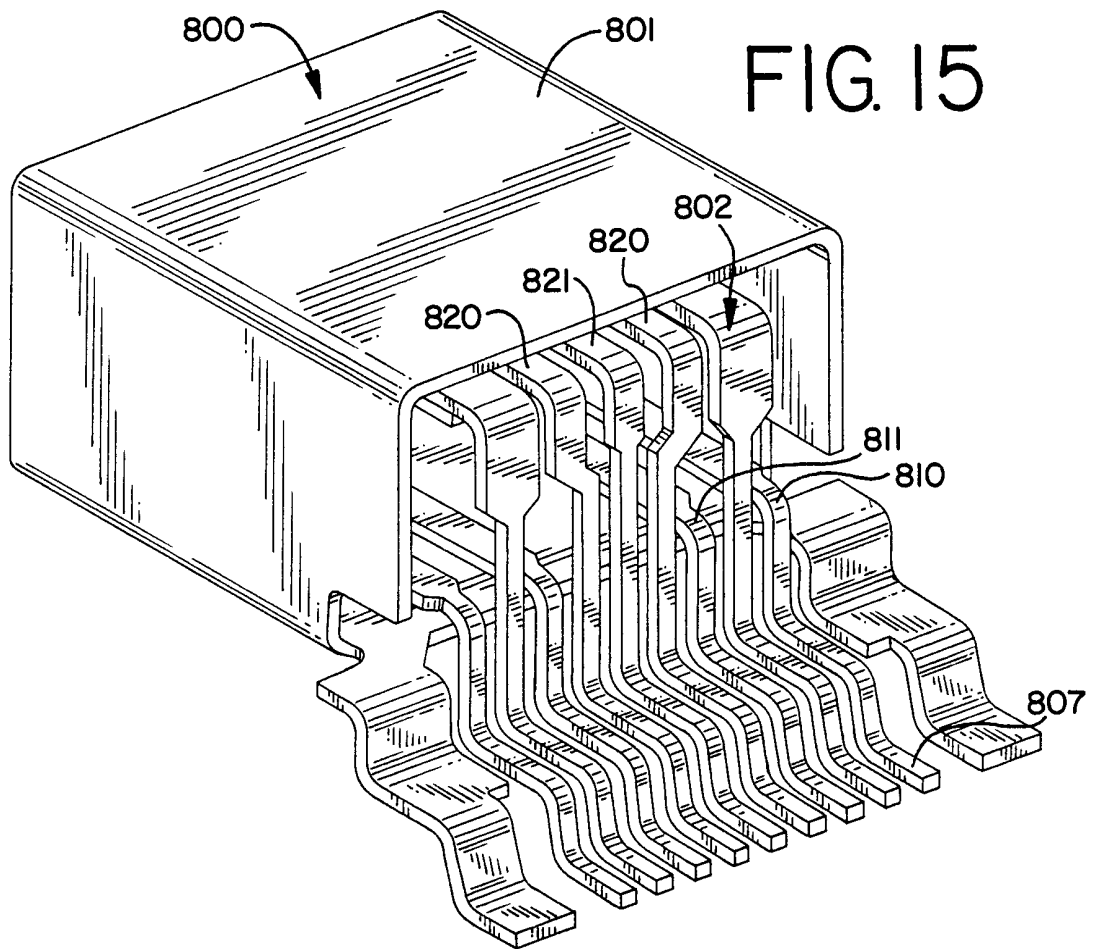
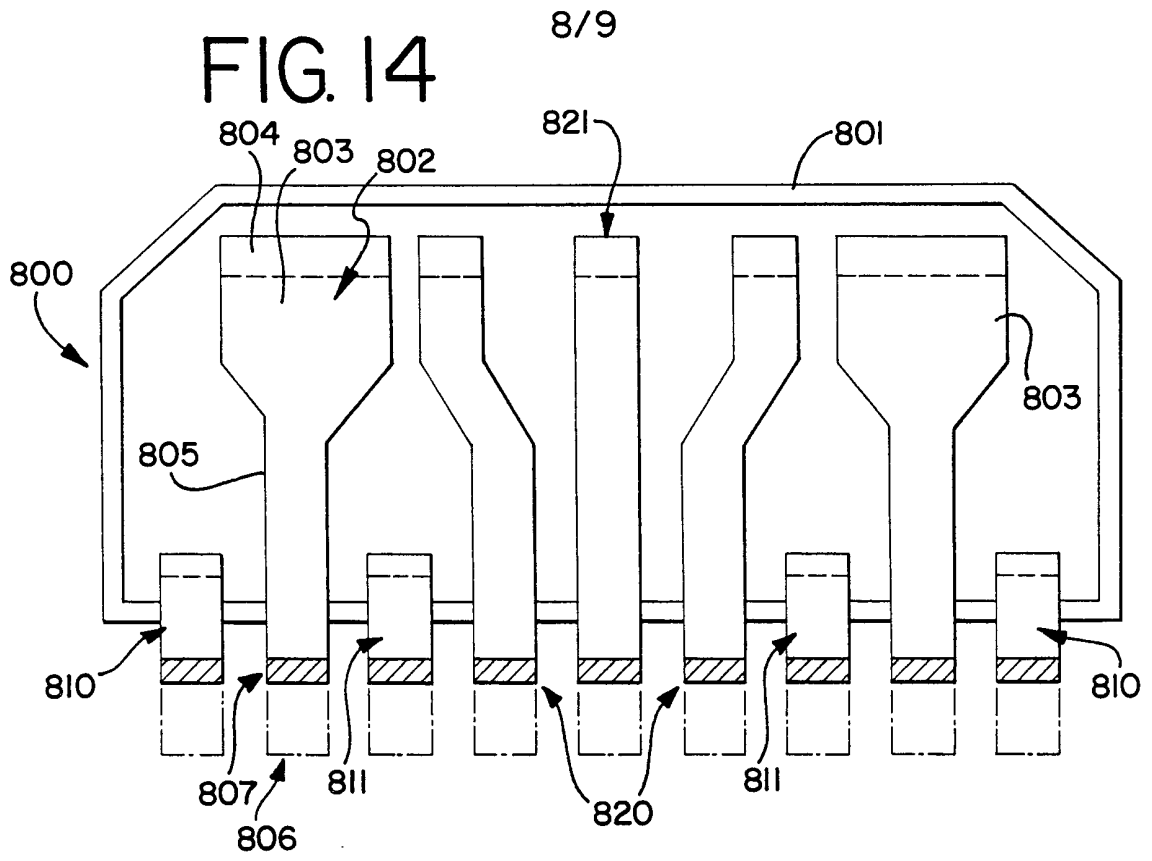


FIG. 16

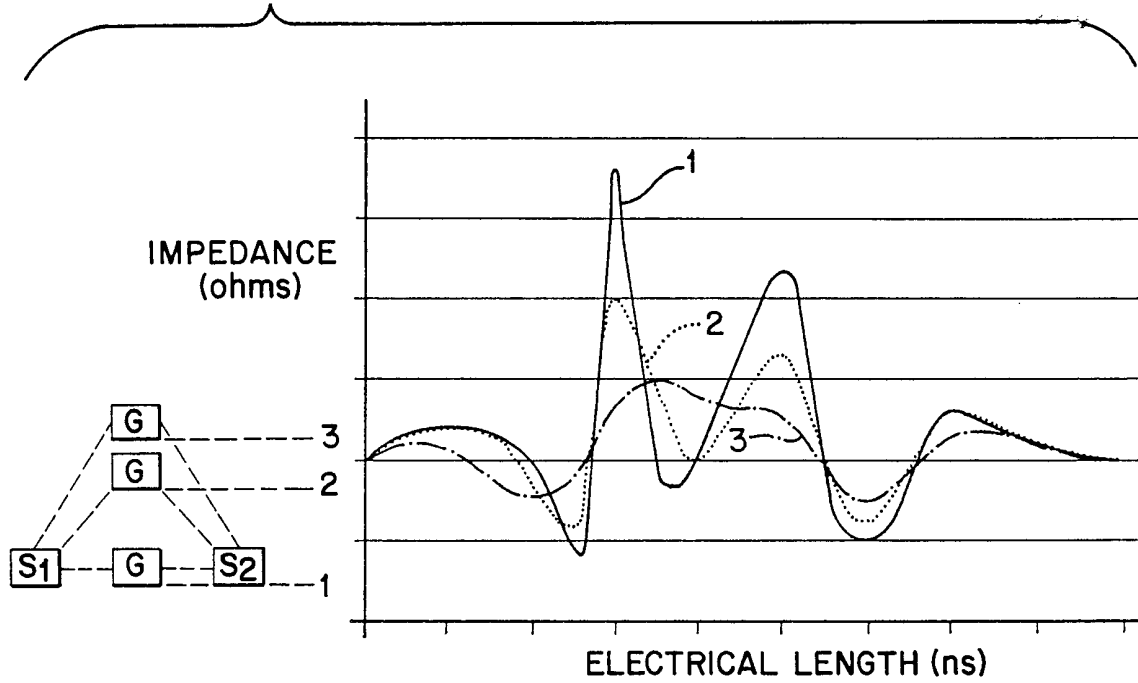


FIG. 17A

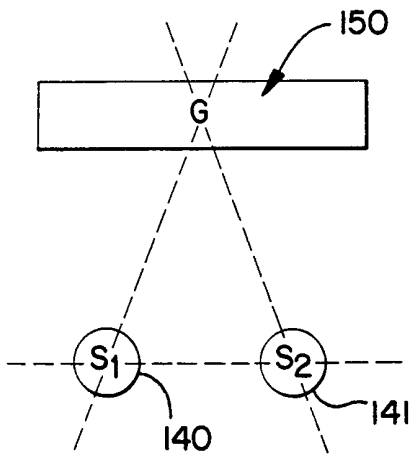


FIG. 17B

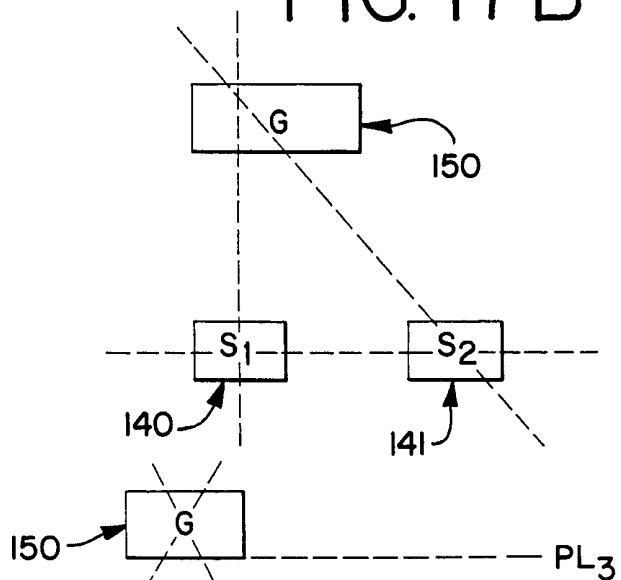
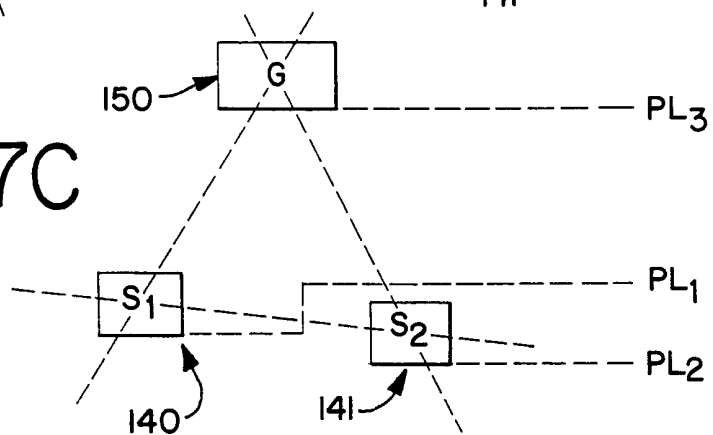


FIG. 17C



INTERNATIONAL SEARCH REPORT

Inte onal Application No
PCT/US 00/19473

A. CLASSIFICATION OF SUBJECT MATTER
 IPC 7 H01R24/00 H01R12/22 H01R13/658

According to International Patent Classification (IPC) or to both national classification and IPC

B. FIELDS SEARCHED

Minimum documentation searched (classification system followed by classification symbols)
 IPC 7 H01R

Documentation searched other than minimum documentation to the extent that such documents are included in the fields searched

Electronic data base consulted during the international search (name of data base and, where practical, search terms used)
 EPO-Internal, PAJ, WPI Data

C. DOCUMENTS CONSIDERED TO BE RELEVANT

Category *	Citation of document, with indication, where appropriate, of the relevant passages	Relevant to claim No.
A	DE 198 21 868 A (MOLEX INC) 19 November 1998 (1998-11-19) claim 1; figure 1 ---	1, 14, 21, 30, 31, 33
A	US 4 824 383 A (LEMKE TIMOTHY A) 25 April 1989 (1989-04-25) column 10, line 20 -column 12, line 23; figures 10-12, 14 ---	1, 14, 21, 30, 31, 33
A	US 4 981 447 A (ICHITSUBO NORIO) 1 January 1991 (1991-01-01) column 5, line 34-48; figures 1, 5 ---	1, 14, 21, 30, 31, 33
A	US 4 337 989 A (ASICK JOHN C ET AL) 6 July 1982 (1982-07-06) column 3, line 24-35; figure 1 ---	1, 14, 21, 30, 31, 33
	-/--	

Further documents are listed in the continuation of box C. Patent family members are listed in annex.

* Special categories of cited documents :

A document defining the general state of the art which is not considered to be of particular relevance *E* earlier document but published on or after the international filing date *L* document which may throw doubts on priority claim(s) or which is cited to establish the publication date of another citation or other special reason (as specified) *O* document referring to an oral disclosure, use, exhibition or other means *P* document published prior to the international filing date but later than the priority date claimed	*T* later document published after the international filing date or priority date and not in conflict with the application but cited to understand the principle or theory underlying the invention *X* document of particular relevance; the claimed invention cannot be considered novel or cannot be considered to involve an inventive step when the document is taken alone *Y* document of particular relevance; the claimed invention cannot be considered to involve an inventive step when the document is combined with one or more other such documents, such combination being obvious to a person skilled in the art. *&* document member of the same patent family
---	---

Date of the actual completion of the international search 15 November 2000	Date of mailing of the international search report 22/11/2000
--	---

Name and mailing address of the ISA European Patent Office, P.B. 5818 Patentlaan 2 NL - 2280 HV Rijswijk Tel. (+31-70) 340-2040, Tx. 31 651 epo nl, Fax: (+31-70) 340-3016	Authorized officer Waern, G
--	---

INTERNATIONAL SEARCH REPORT

International Application No
PCT/US 00/19473

C.(Continuation) DOCUMENTS CONSIDERED TO BE RELEVANT

Category	Citation of document, with indication, where appropriate, of the relevant passages	Relevant to claim No.
A	US 4 678 121 A (DOUTY GEORGE H ET AL) 7 July 1987 (1987-07-07) column 1, line 42-66; figures 1,2 -----	1,14,21, 30,31,33

INTERNATIONAL SEARCH REPORT

Information on patent family members

International Application No

PCT/US 00/19473

Patent document cited in search report	Publication date	Patent family member(s)	Publication date
DE 19821868 A	19-11-1998	FR 2763434 A	20-11-1998
		JP 11074029 A	16-03-1999
US 4824383 A	25-04-1989	AT 143533 T	15-10-1996
		AU 3687689 A	29-11-1989
		DE 68927249 D	31-10-1996
		DE 68927249 T	07-05-1997
		EP 0368982 A	23-05-1990
		HK 114997 A	29-08-1997
		JP 2935865 B	16-08-1999
		JP 3501185 T	14-03-1991
		SG 43152 A	17-10-1997
		WO 8911169 A	16-11-1989
		US RE35508 E	13-05-1997
		US 5169324 A	08-12-1992
		AT 101757 T	15-03-1994
		AU 607444 B	07-03-1991
		AU 8128187 A	19-05-1988
		CA 1289211 A	17-09-1991
		DE 3789089 D	24-03-1994
		DE 3789089 T	14-07-1994
		EP 0268441 A	25-05-1988
		HK 1000397 A	13-03-1998
JP 2737843 B	08-04-1998		
JP 63158766 A	01-07-1988		
KR 9102264 B	08-04-1991		
US 5057028 A	15-10-1991		
US 4981447 A	01-01-1991	DE 4004387 A	30-08-1990
		KR 9206484 Y	18-09-1992
US 4337989 A	06-07-1982	BR 8103311 A	16-02-1982
		CA 1149502 A	05-07-1983
		DE 3165208 D	06-09-1984
		EP 0040941 A	02-12-1981
		ES 258642 Y	16-05-1982
		HK 79587 A	06-11-1987
		JP 1405166 C	09-10-1987
		JP 57021078 A	03-02-1982
		JP 62011468 B	12-03-1987
		MY 5688 A	31-12-1988
		SG 53487 G	15-01-1988
		US 4678121 A	07-07-1987
US RE32290 E	18-11-1986		