



US00D658120S

(12) **United States Design Patent**
Kawai et al.

(10) **Patent No.:** **US D658,120 S**

(45) **Date of Patent:** **** Apr. 24, 2012**

(54) **SOLAR PANEL MOUNT**

Primary Examiner — Derrick Holland

(75) Inventors: **Yoshimichi Kawai**, Tokyo (JP); **Ryoichi Kanno**, Tokyo (JP)

(74) *Attorney, Agent, or Firm* — Sughrue Mion, PLLC

(73) Assignee: **Nippon Steel Corporation**, Tokyo (JP)

(57) **CLAIM**

(**) Term: **14 Years**

The ornamental design for a solar panel mount, as shown and described.

(21) Appl. No.: **29/392,805**

(22) Filed: **May 26, 2011**

DESCRIPTION

(30) **Foreign Application Priority Data**

Mar. 30, 2011 (JP) 2011-007313

(51) **LOC (9) Cl.** **13-02**

(52) **U.S. Cl.** **D13/102**

(58) **Field of Classification Search** D13/102,
D13/101, 107, 184, 199; D12/406, 408;
D14/230, 239, 451, 452; 52/173.3; 126/573,
126/580, 606; 136/206, 230, 244–251, 256,
136/291, 292; 343/792.5, 813, 878, 879;
439/562, 567, 573

See application file for complete search history.

FIG. 1 is a perspective view of a solar panel mount.

FIG. 2 is a front elevation view thereof.

FIG. 3 is a rear elevation view thereof.

FIG. 4 is a right side elevation view thereof. A left side elevation view is a mirror image of the right side elevation view.

FIG. 5 is a top plan view thereof.

FIG. 6 is a bottom plan view thereof.

FIG. 7 is an enlarged fragmentary view of the solar panel mount shown in FIG. 2.

FIG. 8 is an enlarged fragmentary view of the solar panel mount shown in FIG. 4.

FIG. 9 is an enlarged fragmentary view of the solar panel mount shown in FIG. 1.

FIG. 10 is a second perspective view of the solar panel mount shown in environmental use; and,

FIG. 11 is a third perspective view of the solar panel mount shown in an alternate environmental user.

The portion of the article shown in broken lines is for the purpose of showing environmental structure only and forms no part of the claimed design.

(56) **References Cited**

U.S. PATENT DOCUMENTS

5,228,924	A *	7/1993	Barker et al.	136/246
D467,221	S *	12/2002	Walstrom et al.	D12/408
6,563,040	B2 *	5/2003	Hayden et al.	136/244
D562,225	S *	2/2008	Almy et al.	D13/102
D565,505	S *	4/2008	Shugar et al.	D13/102
D595,645	S *	7/2009	Beghelli	D13/102
D611,404	S *	3/2010	Mackler	D13/102
2007/0212935	A1 *	9/2007	Lenox	439/567

* cited by examiner

1 Claim, 11 Drawing Sheets

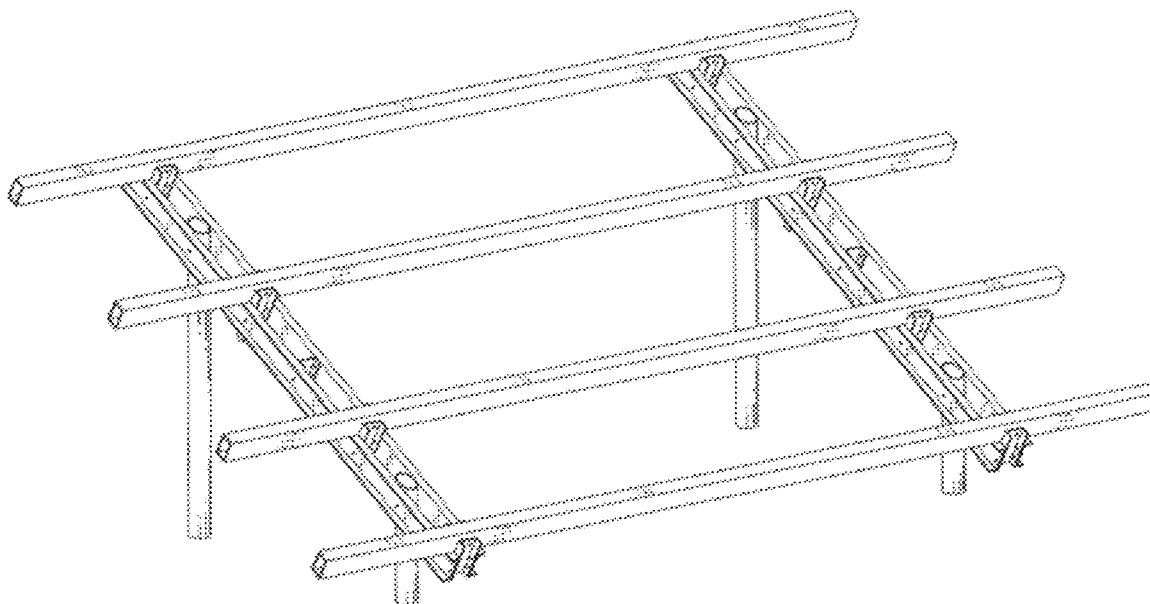


FIG. 1

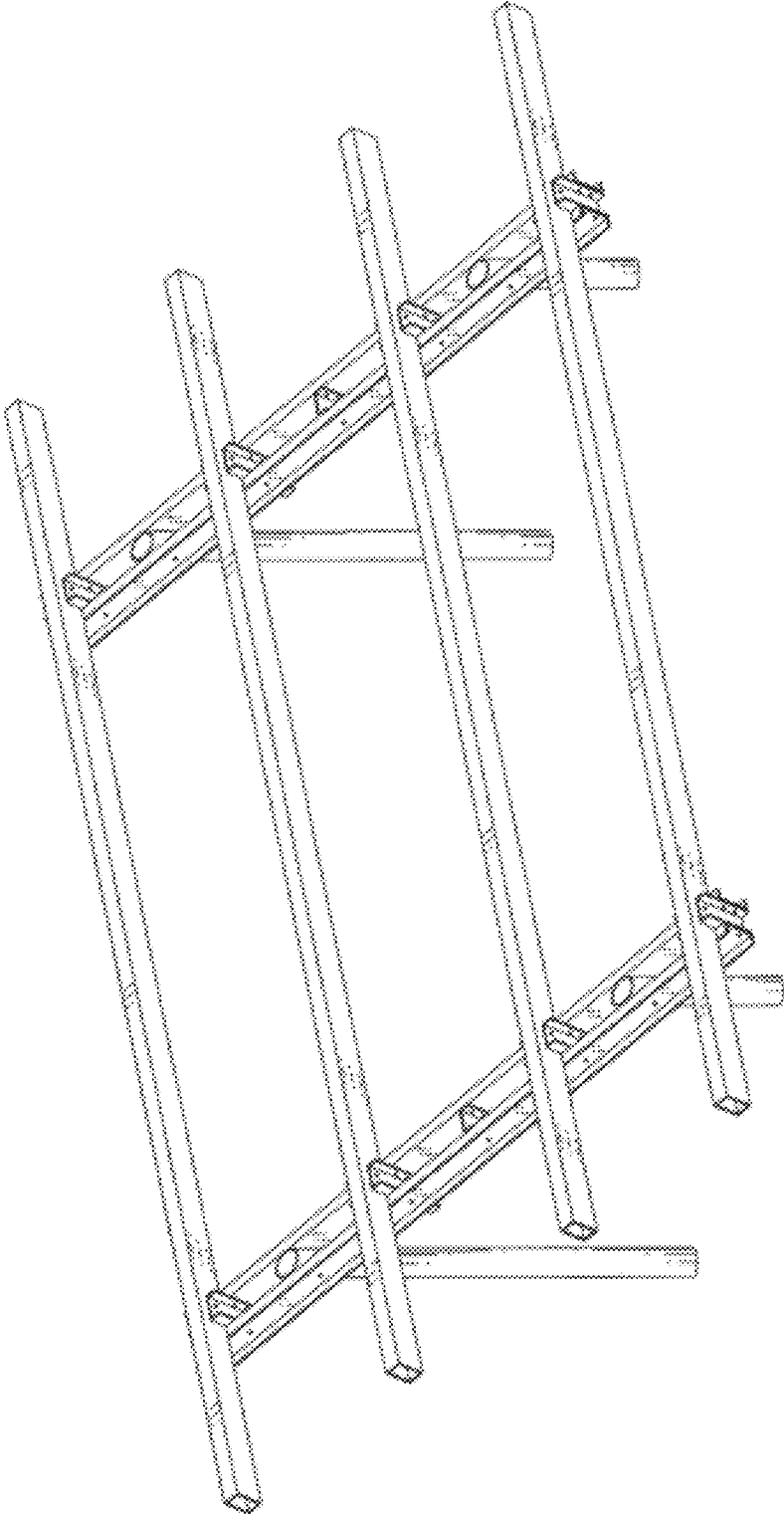


FIG. 2

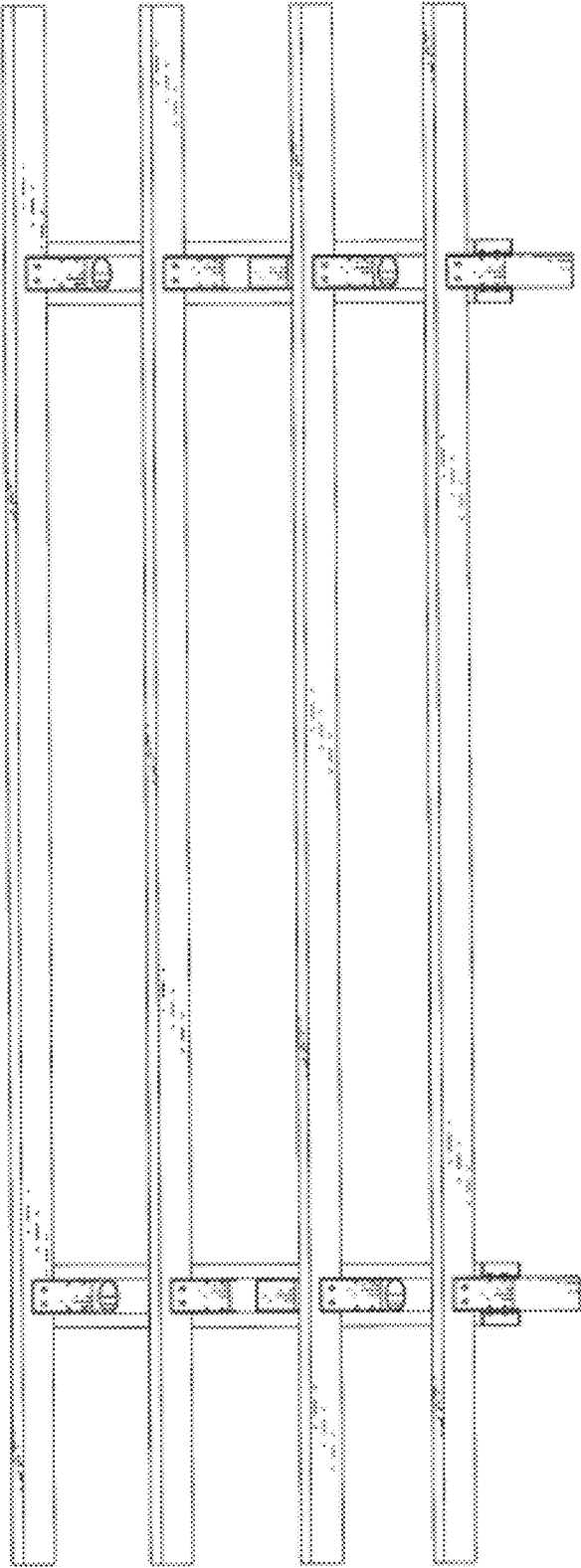


FIG. 3

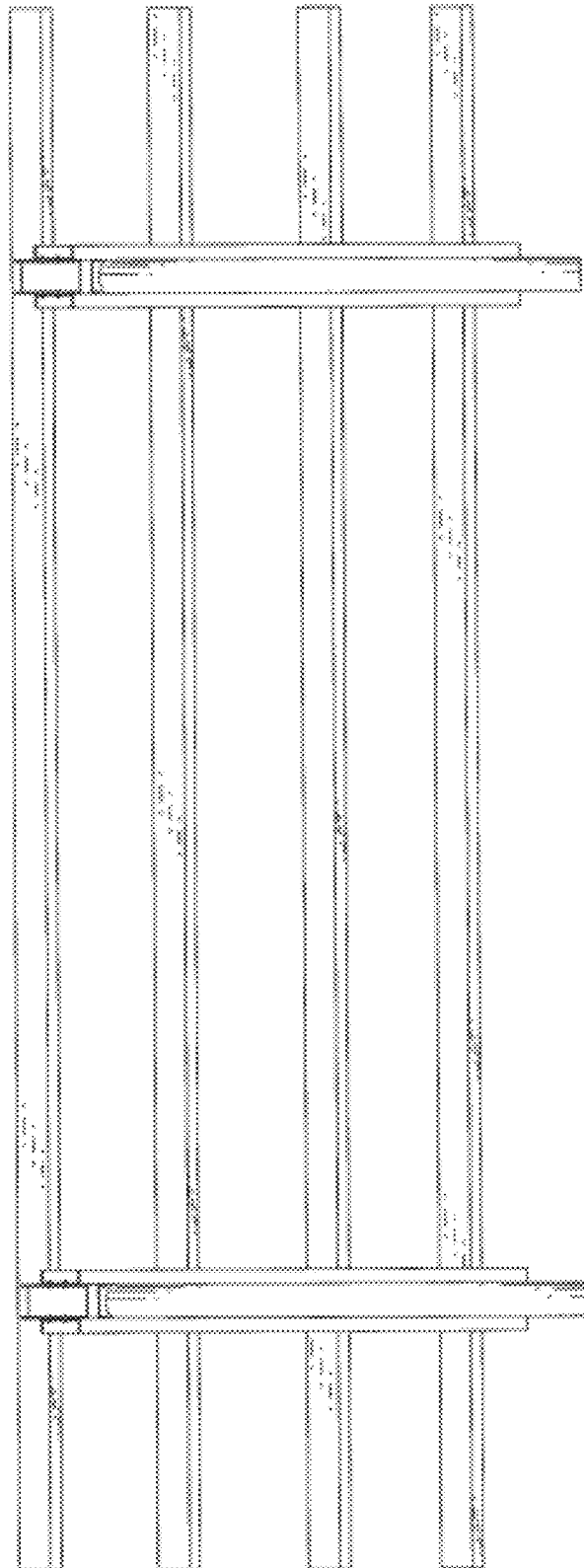


FIG. 4

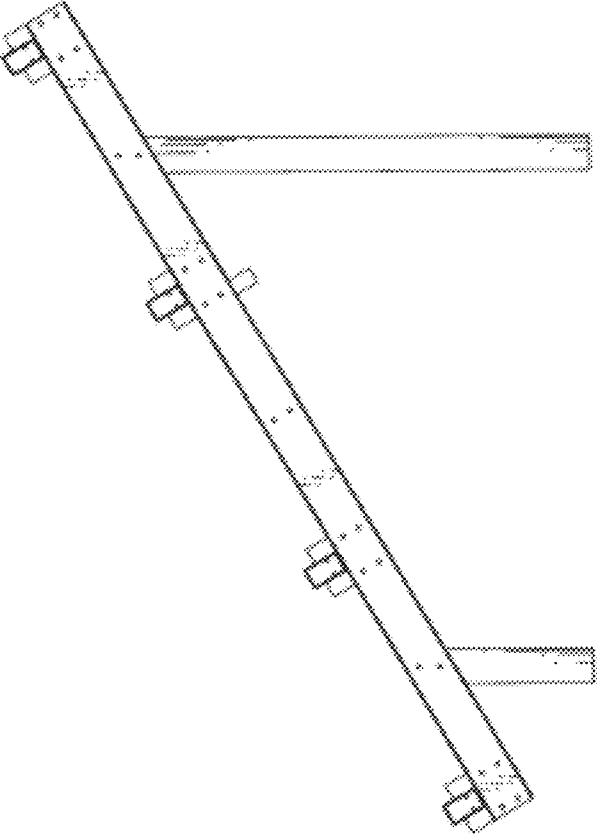


FIG. 5

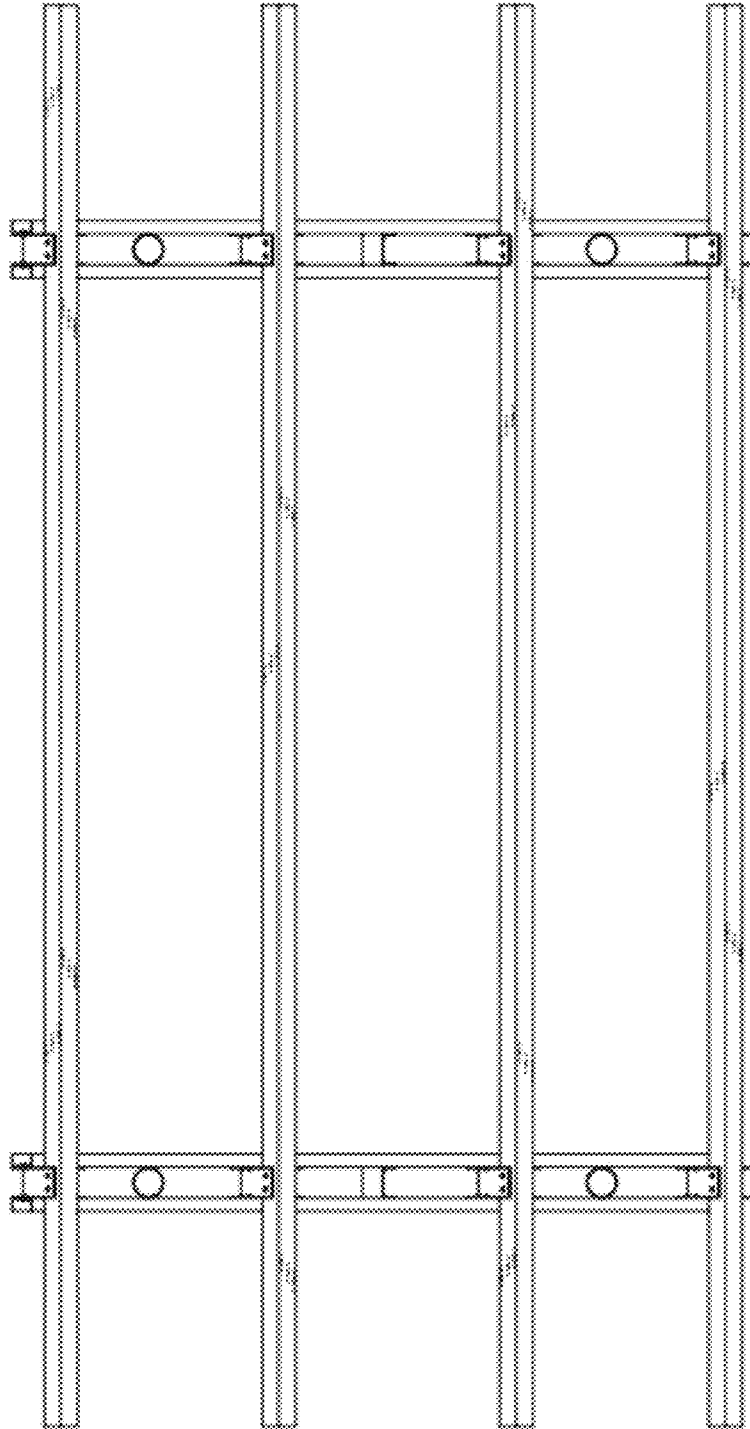
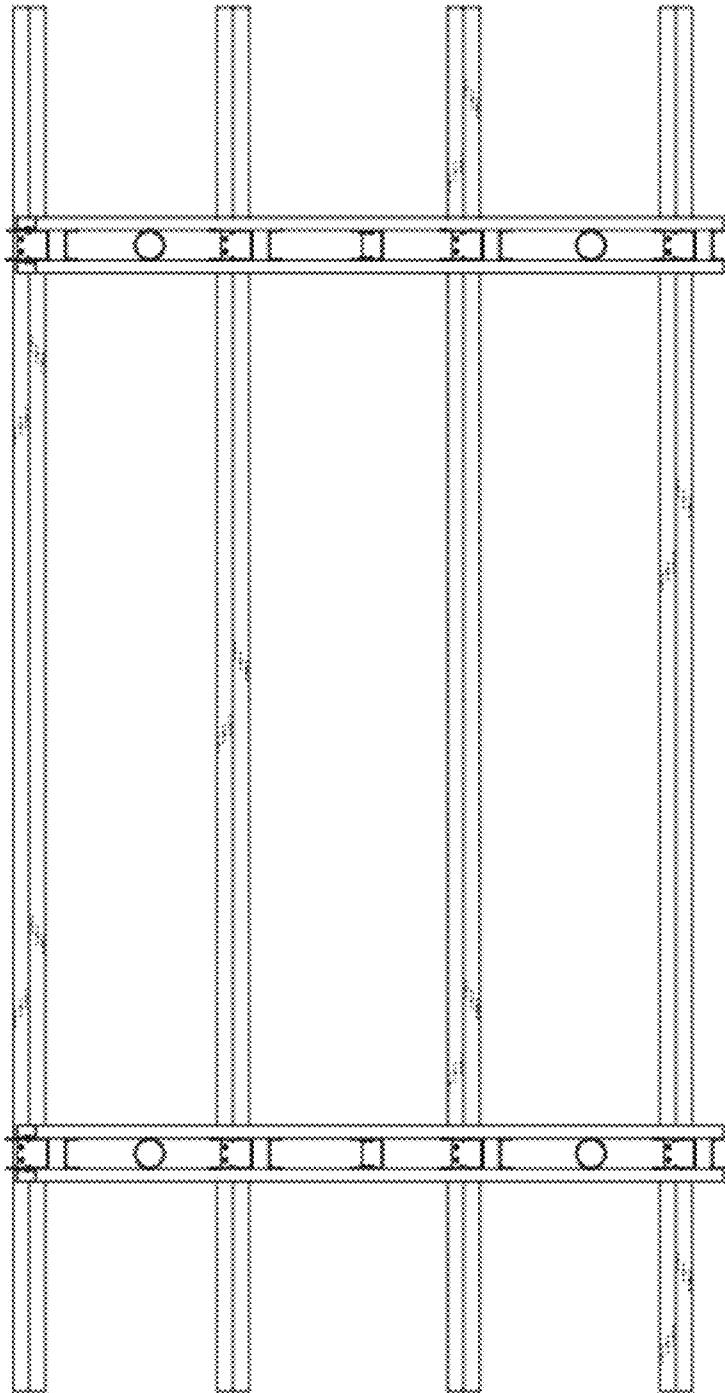


FIG. 6



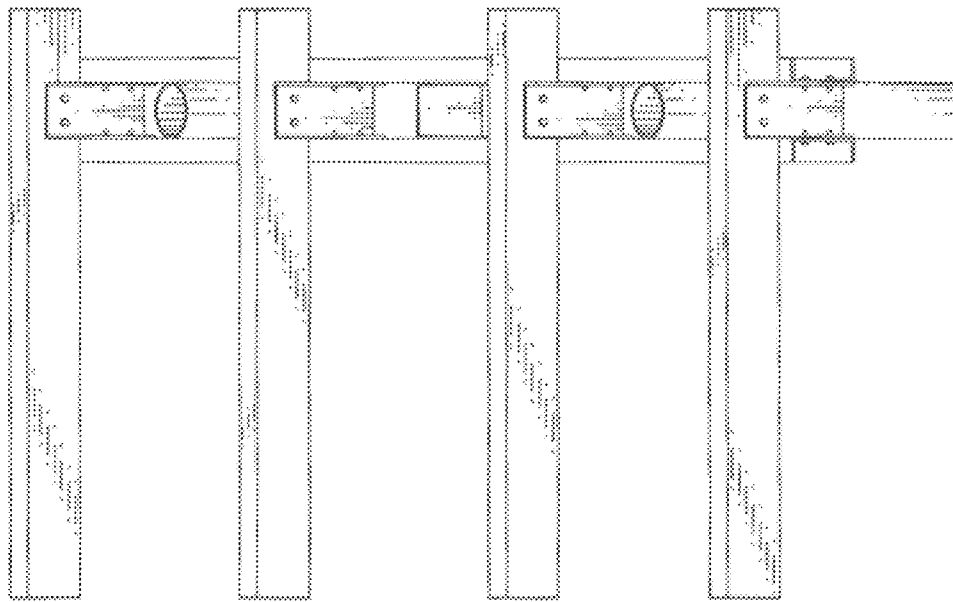
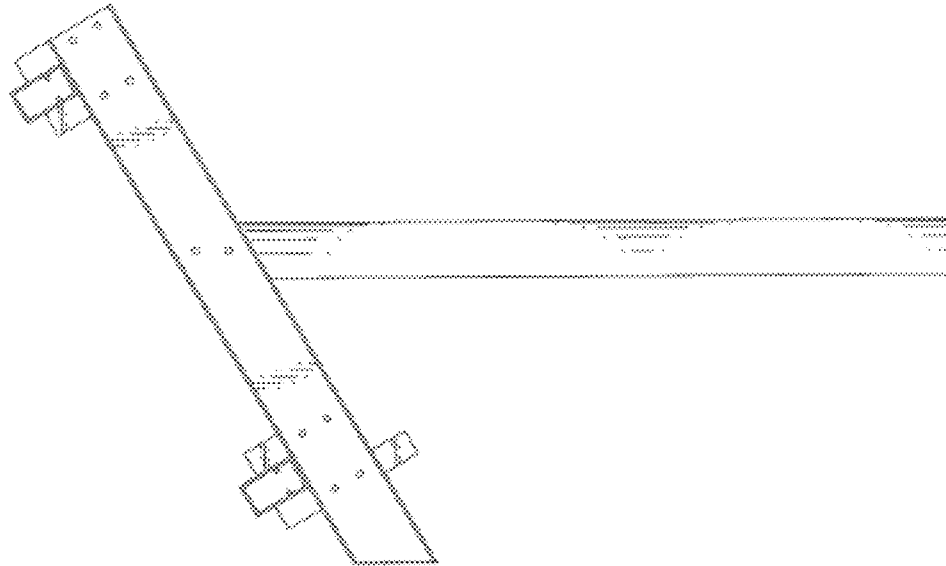


FIG. 7

FIG. 8



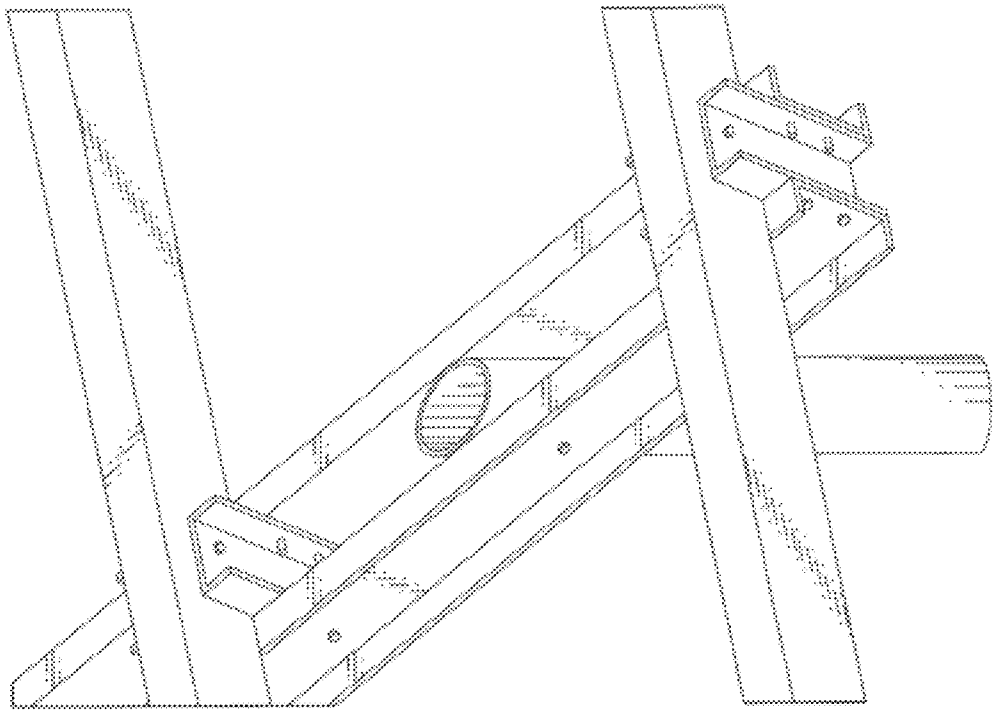


FIG. 9

FIG. 10

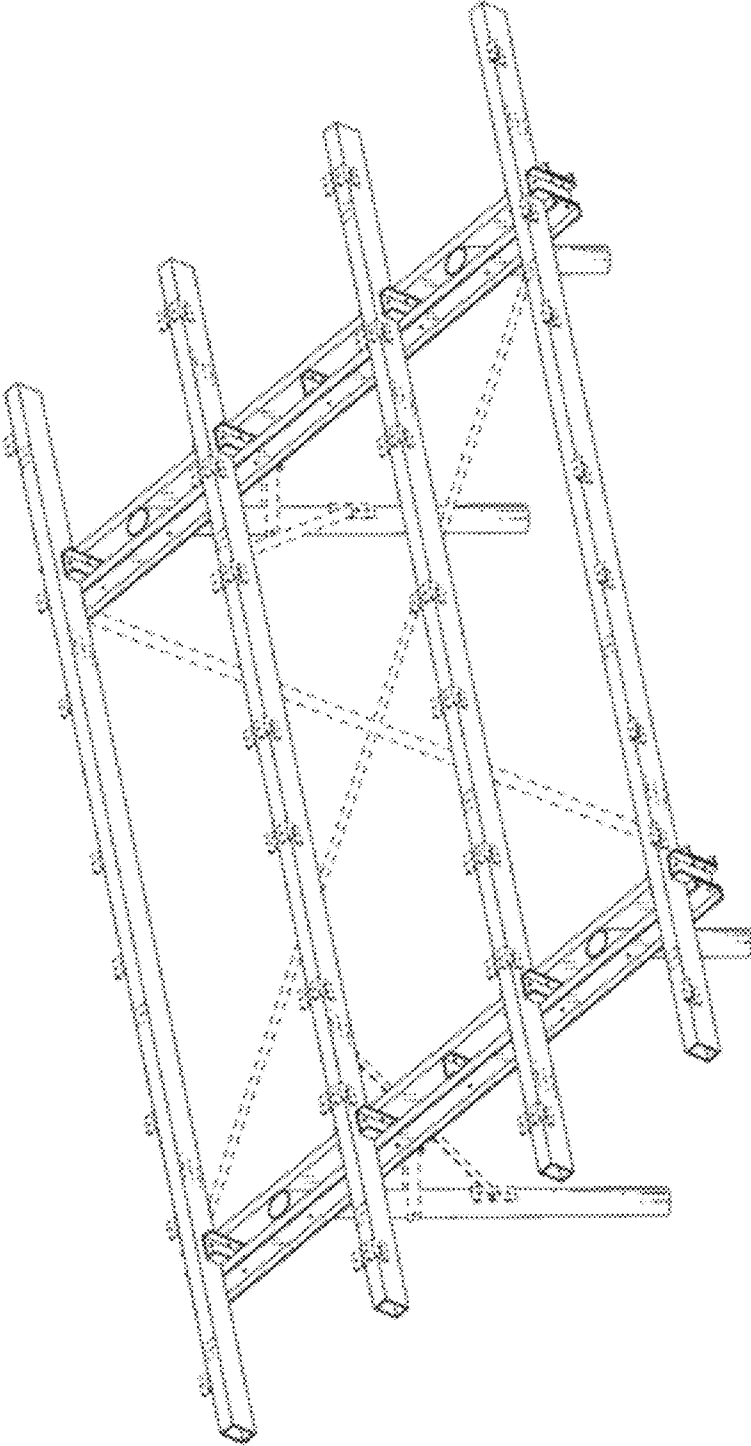


FIG. 11

