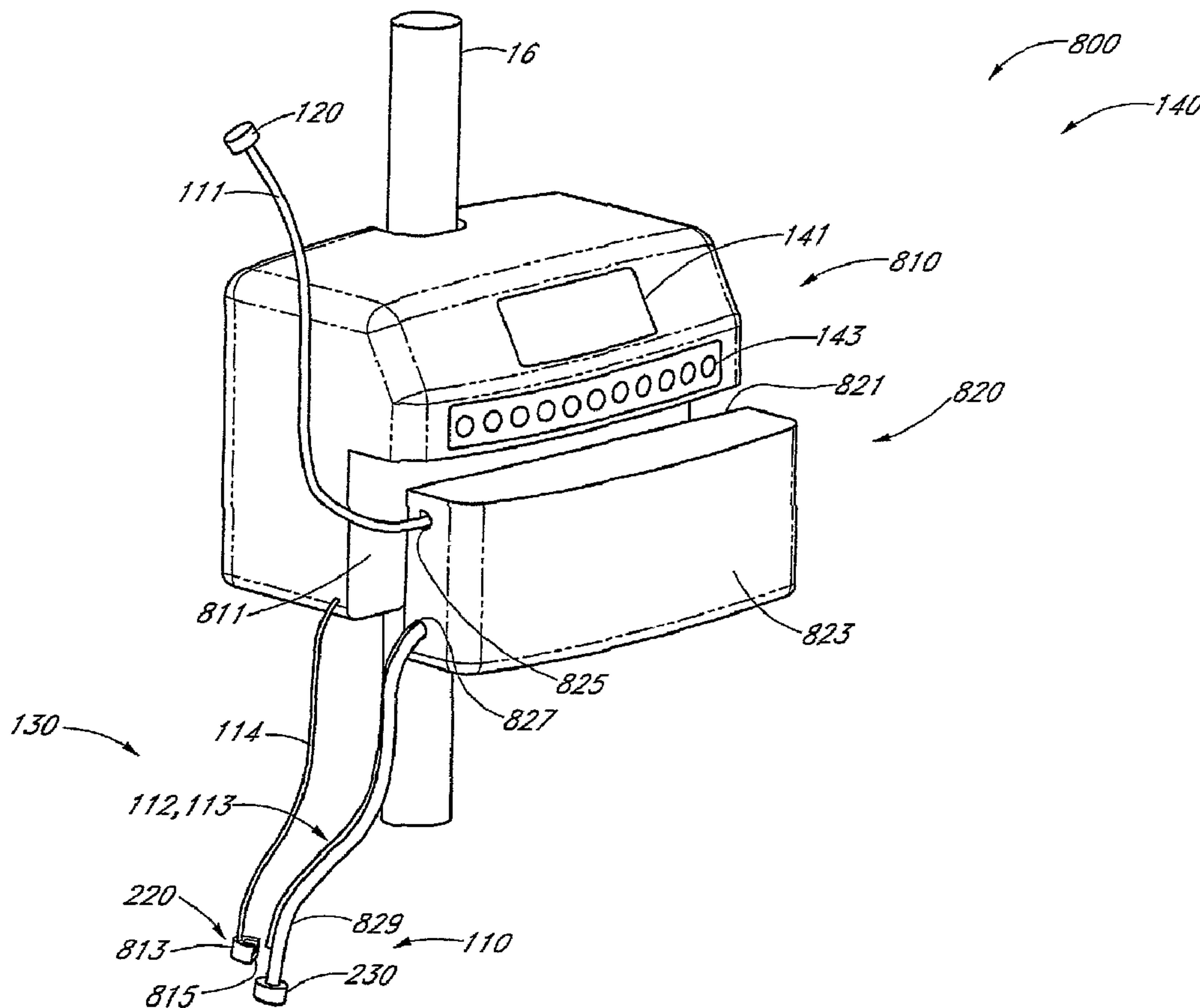




(86) Date de dépôt PCT/PCT Filing Date: 2006/02/13
 (87) Date publication PCT/PCT Publication Date: 2006/08/31
 (85) Entrée phase nationale/National Entry: 2007/08/13
 (86) N° demande PCT/PCT Application No.: US 2006/005112
 (87) N° publication PCT/PCT Publication No.: 2006/091426
 (30) Priorités/Priorities: 2005/02/14 (US60/652,660);
 2005/03/02 (US60/658,001); 2005/04/21 (US60/673,551);
 2005/10/06 (US60/724,199); 2005/12/21 (US11/314,964);
 2005/12/21 (US11/316,676); 2005/12/21 (US11/316,701);
 2005/12/21 (US11/316,672); 2005/12/21 (US11/314,963);
 2005/12/21 (US11/316,685); 2005/12/21 (US11/314,748)

(51) Cl.Int./Int.Cl. *A61B 5/15* (2006.01),
A61M 5/172 (2006.01)
 (71) Demandeur/Applicant:
OPTISCAN BIOMEDICAL CORPORATION, US
 (72) Inventeurs/Inventors:
CALLICOAT, DAVID N., US;
GABLE, JENNIFER H., US;
BRAIG, JAMES R., US;
LI, KENNETH I., US;
WITTE, KENNETH G., US;
WECHSLER, MARK, US;
ZHENG, PENG, US;
...
 (74) Agent: SMART & BIGGAR

(54) Titre : PROCÉDES ET APPAREIL POUR L'EXTRACTION ET L'ANALYSE D'UN LIQUIDE ORGANIQUE
 (54) Title: METHODS AND APPARATUS FOR EXTRACTING AND ANALYZING A BODILY FLUID



(57) Abrégé/Abstract:
 A method of extracting and analyzing bodily fluids from a patient at the point of care for the patient is provided. The method comprises establishing fluid communication between an analyte detection system 334, 1700 and a bodily fluid in the patient. A

(72) Inventeurs(suite)/Inventors(continued): RULE, PETER, US; KEENAN, RICHARD, US; KING, RICHARD A., US

(57) Abrégé(suite)/Abstract(continued):

portion of the bodily fluid is drawn from the patient. The drawn portion is separated into a first component of the bodily fluid, while the analyte detection system 334, 1700 remains in fluid communication with the patient. The analyte detection system 334, 1700 analyzes the first component to measure a concentration of an analyte.

(12) INTERNATIONAL APPLICATION PUBLISHED UNDER THE PATENT COOPERATION TREATY (PCT)

(19) World Intellectual Property Organization
International Bureau(43) International Publication Date
31 August 2006 (31.08.2006)

PCT

(10) International Publication Number
WO 2006/091426 A3

(51) International Patent Classification:

A61B 5/15 (2006.01) A61M 5/172 (2006.01)

(21) International Application Number:

PCT/US2006/005112

(22) International Filing Date:

13 February 2006 (13.02.2006)

(25) Filing Language:

English

(26) Publication Language:

English

(30) Priority Data:

60/652,660	14 February 2005 (14.02.2005)	US
60/658,001	2 March 2005 (02.03.2005)	US
60/673,551	21 April 2005 (21.04.2005)	US
60/724,199	6 October 2005 (06.10.2005)	US
11/314,964	21 December 2005 (21.12.2005)	US
11/314,748	21 December 2005 (21.12.2005)	US
11/316,685	21 December 2005 (21.12.2005)	US
11/314,963	21 December 2005 (21.12.2005)	US
11/316,672	21 December 2005 (21.12.2005)	US
11/316,701	21 December 2005 (21.12.2005)	US
11/316,676	21 December 2005 (21.12.2005)	US

(71) Applicant (for all designated States except US): **OPTIS-CAN BIOMEDICAL CORPORATION** [US/US]; 1105 Atlantic Avenue, Suite 101, Alameda, CA 94501 (US).

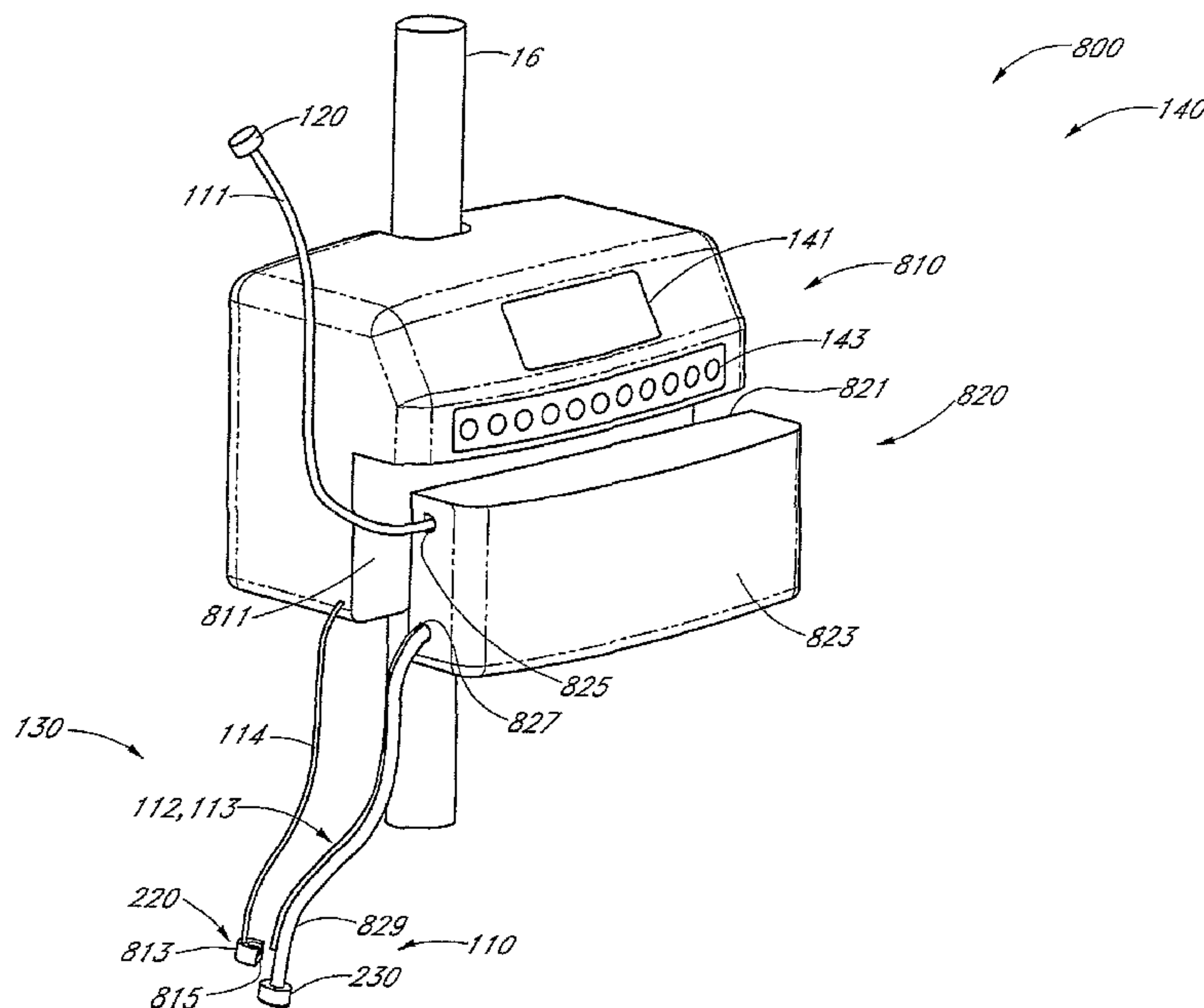
(72) Inventors; and

(75) Inventors/Applicants (for US only): **CALLICOAT, David N.** [US/US]; 1150 Ballena Dr., #125, Alameda, CA 94501 (US). **GABLE, Jennifer H.** [US/US]; 8161 Tanforan Ct., Newark, CA 94560 (US). **BRAIG, James R.** [US/US]; 280 Mountain Avenue, Piedmont, CA 94611 (US). **LI, Kenneth I.** [US/US]; 53 Calvert Court, Piedmont, CA 94611 (US). **WITTE, Kenneth G.** [US/US]; 1547 Petersen Ave., San Jose, CA 95129 (US). **WECHSLER, Mark** [US/US]; 181 42nd Ave., San Mateo, CA 94403 (US). **ZHENG, Peng** [US/US]; 15 Souza Court, Alameda, CA 94502 (US). **RULE, Peter** [US/US]; 24183 Hillview Road, Los Altos Hills, CA 94024 (US). **KEENAN, Richard** [US/US]; 2342 Sixth Street, Livermore, CA 94550 (US). **KING, Richard A.** [GB/US]; 527 Beloit Ave., Kensington, CA 94708 (US).(74) Agent: **ALTMAN, Daniel E.**; Knobbe Martens Olson & Bear, LLP, 2040 Main Street, Fourteenth Floor, Irvine, CA 92614 (US).

(81) Designated States (unless otherwise indicated, for every kind of national protection available): AE, AG, AL, AM, AT, AU, AZ, BA, BB, BG, BR, BW, BY, BZ, CA, CH, CN, CO, CR, CU, CZ, DE, DK, DM, DZ, EC, EE, EG, ES, FI, GB, GD, GE, GH, GM, HR, HU, ID, IL, IN, IS, JP, KE, KG, KM, KN, KP, KR, KZ, LC, LK, LR, LS, LT, LU, LV,

[Continued on next page]

(54) Title: METHODS AND APPARATUS FOR EXTRACTING AND ANALYZING A BODILY FLUID



(57) Abstract: A method of extracting and analyzing bodily fluids from a patient at the point of care for the patient is provided. The method comprises establishing fluid communication between an analyte detection system 334, 1700 and a bodily fluid in the patient. A portion of the bodily fluid is drawn from the patient. The drawn portion is separated into a first component of the bodily fluid, while the analyte detection system 334, 1700 remains in fluid communication with the patient. The analyte detection system 334, 1700 analyzes the first component to measure a concentration of an analyte.



WO 2006/091426 A3

WO 2006/091426 A3

LY, MA, MD, MG, MK, MN, MW, MX, MZ, NA, NG, NI,
NO, NZ, OM, PG, PH, PL, PT, RO, RU, SC, SD, SE, SG,
SK, SL, SM, SY, TJ, TM, TN, TR, TT, TZ, UA, UG, US,
UZ, VC, VN, YU, ZA, ZM, ZW.

RO, SE, SI, SK, TR), OAPI (BF, BJ, CF, CG, CI, CM, GA,
GN, GQ, GW, ML, MR, NE, SN, TD, TG).

Published:

— *with international search report*

(84) Designated States (*unless otherwise indicated, for every kind of regional protection available*): ARIPO (BW, GH, GM, KE, LS, MW, MZ, NA, SD, SL, SZ, TZ, UG, ZM, ZW), Eurasian (AM, AZ, BY, KG, KZ, MD, RU, TJ, TM), European (AT, BE, BG, CH, CY, CZ, DE, DK, EE, ES, FI, FR, GB, GR, HU, IE, IS, IT, LT, LU, LV, MC, NL, PL, PT,

(88) Date of publication of the international search report:

19 April 2007

For two-letter codes and other abbreviations, refer to the "Guidance Notes on Codes and Abbreviations" appearing at the beginning of each regular issue of the PCT Gazette.

METHODS AND APPARATUS FOR EXTRACTING AND ANALYZING A BODILY FLUID

Background

Field

[0001] Certain embodiments disclosed herein relate to methods and apparatus for determining the concentration of an analyte in a sample, such as an analyte in a sample of bodily fluid, as well as methods and apparatus which can be used to support the making of such determinations.

Description of the Related Art

[0002] It is a common practice to measure the levels of certain analytes, such as glucose, in a bodily fluid, such as blood. Often this is done in a hospital or clinical setting when there is a risk that the levels of certain analytes may move outside a desired range, which in turn can jeopardize the health of a patient. Certain currently known systems for analyte monitoring in a hospital or clinical setting suffer from various drawbacks.

Summary

[0003] In some embodiments, a method of analyzing bodily fluids in an analyte detection system at the point of care for a patient is provided. The method comprises establishing fluid communication between the analyte detection system and a bodily fluid in an extracorporeal fluid conduit. A portion of the bodily fluid is drawn from the extracorporeal fluid conduit. A first component of the bodily fluid is separated from the drawn portion, while the analyte detection system remains in fluid communication with the extracorporeal fluid conduit. The analyte detection system analyzes the first component to measure a concentration of an analyte.

[0004] In some embodiments, a method of preparing for analysis a bodily fluid is provided. The method comprises operably connecting a fluid separation system to tubing. A portion of the bodily fluid is drawn from the tubing and into the fluid separation system. A first component is separated from the drawn portion of bodily fluid with the fluid separation system, while the fluid separation system remains operably connected to the tubing.

[0005] In some embodiments, a method of analyzing a bodily fluid is provided. The method comprises attaching an analyte detection system to an extracorporeal fluid conduit wherein the analyte detection system further comprises a fluid handling system. The fluid handling system is attached to the extracorporeal fluid conduit. A sample of bodily fluid is drawn from the extracorporeal fluid conduit into the fluid handling system. The sample is directly analyzed with the analyte detection system to measure a concentration of an analyte.

[0006] In some embodiments, a system for bodily fluid sampling and analysis comprises a first fluid passageway having a patient end which is configured to provide fluid communication with a bodily fluid within a patient. A sample analysis chamber is accessible via the first fluid passageway. At least one pump is in operative engagement with the first fluid passageway such that the system is operable to periodically draw a sample of the bodily fluid from the patient through the first fluid passageway and toward the sample analysis chamber. A separator is accessible via the first fluid passageway and configured to remove at least one component from the sample of bodily fluid. A spectroscopic analyte detection system is configured to analyze the component of bodily fluid while the component of bodily fluid is in the sample analysis chamber, and determine a concentration of at least one analyte.

[0007] In some embodiments, a system for periodically drawing a blood sample from a patient and analyzing the composition of at least one component of the blood sample is provided. The system comprises a fluid passageway having a distal end which is configured to be inserted into the vasculature of a patient. A sample analysis chamber is in fluid communication with the fluid passageway. An infusion fluid source is in fluid communication with the fluid passageway, the source containing an infusion fluid. A pump unit has a first mode in which the pump unit infuses the infusion fluid into the patient via the fluid passageway, and a second mode in which the pump unit is operable to draw a blood sample from the patient via the first fluid passageway and toward the sample analysis chamber. A separator is configured to remove at least one component from the blood sample before the sample is analyzed by the analyte detection system. A spectroscopic analyte detection system is configured to analyze the at least one component while at least a portion

of the at least one component is in the sample analysis chamber, and determine a concentration of at least one analyte.

[0008] In some embodiments, a fluid handling and analysis system comprises a fluid handling network comprising at least one fluid passageway. The fluid handling network includes a patient end configured to maintain fluid communication with a bodily fluid in a patient. A sample analysis chamber is accessible via the fluid handling network. A pump unit is coupled to the fluid handling network. The pump unit has a sample draw mode in which the pump unit is operable to draw a sample of the bodily fluid from the patient through the patient end, toward the sample analysis chamber. A spectroscopic fluid analyzer is configured to analyze the sample of bodily fluid while the sample of bodily fluid is in the sample analysis chamber, and determine a concentration of at least one analyte. A separator is configured to remove at least one component from the sample of bodily fluid before the sample is analyzed by the analyte detection system.

[0009] In some embodiments, a method of analyzing a bodily fluid is provided. The method comprises establishing fluid communication between a fluid transport network and a bodily fluid in an extracorporeal fluid conduit, wherein the fluid transport network further comprises at least one fluid passageway and a fluid component separator. A volume of bodily fluid is drawn from the extracorporeal fluid conduit into the fluid transport network. The volume of bodily fluid can be transported to the fluid component separator via the at least one fluid passageway. The fluid component separator separates a first component from the bodily fluid. The first component is transported to a sample analysis chamber, wherein the sample analysis chamber is operatively engaged with an analyte detection system. The analyte detection system analyzes the first component to measure the concentration of an analyte.

[0010] In some embodiments, a fluid handling and analysis system comprises a fluid transport network comprising at least a first fluid passageway. The fluid transport network includes a patient end that is configured to maintain fluid communication with a bodily fluid in a patient. A sample analysis chamber and waste container are each accessible via the fluid transport network. A pump unit is in operative engagement with the fluid transport network. The pump unit has an infusion mode in which the pump unit is operable

to deliver an infusion fluid to the patient through the patient end, and a sample draw mode in which the pump unit is operable to draw a volume of the bodily fluid from the patient through the patient end, towards the sample analysis chamber. A spectroscopic fluid analyzer is configured to analyze a sample of the bodily fluid while the sample is in the sample analysis chamber, and determine a concentration of at least one analyte. The fluid transport network and the pump unit are configured to draw a volume of the bodily fluid from the patient, isolate a fraction of the bodily fluid from the volume, and pass the fraction to the sample analysis chamber and then to the waste container.

[0011] In some embodiments, a system for extracting and analyzing a bodily fluid of a patient at a point of care for the patient comprises a first fluid passageway having a patient end configured to be placed in fluid communication with a bodily fluid in a patient. A sample analysis chamber is configured to be placed in fluid communication with the first fluid passageway. One or more pumps are in operative engagement with the first fluid passageway. The one or more pumps are configured to produce bi-directional flow through the first fluid passageway. A spectroscopic fluid analyzer is configured to analyze a sample of bodily fluid in the sample analysis chamber, and determine a concentration of at least one analyte. A waste container is configured to be placed in fluid communication with the sample analysis chamber.

[0012] In some embodiments, a method of analyzing a bodily fluid is provided. A fluid communication is established between a fluid handling module and a bodily fluid of in an extracorporeal fluid conduit, wherein the fluid handling module comprises at least one passageway. A volume of bodily fluid is drawn from the extracorporeal fluid conduit into the at least one passageway of the fluid handling module. A sample of bodily fluid is diverted from the drawn volume of bodily fluid, wherein the sample is a fraction of the drawn volume. At least a portion of the sample is transported to a sample analysis chamber which is operatively engaged with an analyte detection system. The analyte detection system analyzes at least a portion of the sample to determine a concentration of an analyte. The sample is transported to a waste receptacle.

[0013] In some embodiments, a system for sampling and analyzing a bodily fluid of a patient comprises a first fluid passageway having a patient end which is configured to

provide fluid communication with the bodily fluid within the patient. A second fluid passageway is connected to the first fluid passageway. A sample analysis chamber is accessible via the first fluid passageway. A reversible pump is in operative engagement with the first fluid passageway wherein the pump is configured to provide bi-directional fluid flow through the patient end of the first fluid passageway. An analyte detection system is configured to analyze at least one component of the bodily fluid while the at least one component is in the sample analysis chamber, and determine a concentration of at least one analyte.

[0014] In some embodiments, a system for sampling and analyzing a bodily fluid of a patient comprises a first fluid passageway having a patient end which is configured to provide fluid communication with the bodily fluid within the patient. A second fluid passageway is connected to the first fluid passageway. A sample analysis chamber is accessible via the first fluid passageway. A bi-directional pump unit is in operative engagement with the first fluid passageway wherein the pump unit is configured to provide bi-directional fluid flow through the patient end of the first fluid passageway. An analyte detection system is configured to analyze at least one component of the bodily fluid while the at least one component is in the sample analysis chamber, and determine a concentration of at least one analyte.

[0015] In some embodiments, a fluid handling module is configured for removable engagement with a reusable main fluid handling instrument. The module comprises a housing, an infusion fluid passageway, a sample fluid passageway, and a fluid component separator. The infusion fluid passageway has a first port and a second port spaced from the first port, and a lumen extending from the first port to the second port. The sample fluid passageway is connected to the infusion fluid passageway. The fluid component separator is connected to the sample fluid passageway.

[0016] In some embodiments, a fluid handling module is configured for removable engagement with a reusable main fluid handling instrument. The module comprises a module housing and a first fluid passageway extending from the module housing. The first fluid passageway has a patient end remote from the housing. The first fluid passageway is configured to provide fluid communication with a bodily fluid in a

patient. A fluid component separator is in fluid communication with the first fluid passageway. The fluid component separator is configured to separate at least one component from a portion of the bodily fluid drawn from the patient.

[0017] In some embodiments, a method for preparing for analysis a bodily fluid is provided. The method comprises attaching a removable fluid handling module to a main fluid handling instrument, wherein the fluid handling module comprises a module body, a fluid component separator connected to the module body, and a fluid passageway extending from the module body. The main fluid handling instrument comprises an analyte detection system. A volume of a bodily fluid is drawn from an extracorporeal fluid conduit into the fluid passageway. At least a portion of the drawn volume of bodily fluid is transferred to the fluid component separator. The fluid component separator separates a first component from the bodily fluid. The analyte detection system analyzes at least a portion of the separated first component to determine a concentration of an analyte.

[0018] In some embodiments, a fluid handling module is configured for removable engagement with a reusable main fluid handling instrument. The module comprises a module housing and a first fluid passageway extending from the module housing. The first fluid passageway has a patient end remote from the housing. The first fluid passageway is configured to provide fluid communication with a bodily fluid in a patient. A fluid component separator is in fluid communication with the first fluid passageway. The fluid component separator is configured to separate at least one component from a portion of the bodily fluid drawn from the patient. A spectroscopic sample cell is configured to hold at least a portion of the first component.

[0019] In some embodiments, a system for measuring an analyte in a bodily fluid comprises a main analysis and control instrument comprising an analyte detection system. A fluid handling module is removably engageable with the main instrument. The fluid handling module further comprises a centrifuge having a centrifuge rotor which is rotatable about a centrifuge axis, and a sample cell located on the rotor. The sample cell is rotatable with the rotor about the centrifuge axis. The rotor and the sample cell are rotatable to a measurement position in which the sample cell operatively engages the analyte detection system.

[0020] In some embodiments, a method for analyzing a bodily fluid is provided. The method comprises attaching a fluid handling module to a reusable fluid handling instrument, wherein the fluid handling module comprises a fluid component separator, a spectroscopic sample cell, and a first fluid passageway. The reusable fluid handling instrument comprises an analyte detection system. A volume of a bodily fluid is drawn from an extracorporeal fluid conduit into the first fluid passageway. The fluid component separator separates a first component from the volume of bodily fluid drawn from the extracorporeal fluid conduit. At least a portion of the first component of the bodily fluid is held in the spectroscopic sample cell. The analyte detection system analyzes the first component to determine a concentration of an analyte.

[0021] In some embodiments, a fluid handling and analysis system is provided. Preferably, the system comprises a main analysis and control instrument and a fluid handling module removably engageable with the main instrument. In some embodiments, the main instrument comprises a spectroscopic bodily fluid analyzer and at least one control element. In some embodiments, the fluid handling module comprises a spectroscopic sample cell and at least one fluid handling element, and the sample cell is accessible via the fluid handling element. In some embodiments, the fluid handling element has a control interface configured to engage the control element when the main instrument and the fluid handling module are engaged.

[0022] In some embodiments, a fluid handling module that is removably engageable with a bodily fluid analyzer is provided. Preferably, the module comprises a fluid handling network and a spectroscopic analysis cell accessible via the fluid handling network. In some embodiments, the fluid handling network comprises at least one fluid handling element. In some embodiments, the fluid handling element comprises at least one control element interface.

[0023] In some embodiments, a method for analyzing a bodily fluid is provided. Preferably, the method includes a step of attaching a fluid handling module to a main analysis and control instrument. In some embodiments, the fluid handling module comprises at least one fluid handling element having a control element interface, and a spectroscopic sample cell accessible via the fluid handling element. In some embodiments, the main instrument

comprises a bodily fluid analyzer and at least one control element. Preferably, the method further comprises the steps of engaging the control element interface of at least one fluid handling element with at least one control element of the main instrument and controlling fluid flow between the fluid handling element and the spectroscopic sample cell with the control element.

[0024] In some embodiments, a fluid handling module that is removably engageable with a bodily fluid analyzer is provided. In some embodiments, the module comprises a fluid handling element, and a fluid component separator that is accessible via the fluid handling element and configured to separate at least one component of a bodily fluid transported to the fluid component separator. In some embodiments, the fluid handling element has at least one control element interface.

[0025] In other embodiments, a fluid handling and analysis system is provided. In some embodiments, the system comprises a main analysis and control instrument and a fluid handling module that is removably engageable with the main instrument. In some embodiments, the main instrument comprises a spectroscopic bodily fluid analyzer and at least one control element. In some embodiments, the fluid handling module comprises a fluid component separator and at least one fluid handling element. In some embodiments, the fluid component separator is accessible via the fluid handling element. In some embodiments, the fluid handling element has a control interface configured to engage at least one control element when the main instrument and the fluid handling module are engaged.

[0026] In some embodiments, a method for analyzing a bodily fluid is provided. In some embodiments, the method comprises the step of attaching a fluid handling module to a main analysis and control instrument. In some embodiments, the fluid handling module comprises at least one fluid handling element having a control element interface and a fluid component separator that is accessible via the fluid handling element. In some embodiments, the main instrument comprises a bodily fluid analyzer and at least one control element. In some embodiments, the method further comprises the steps of engaging the control element interface of the fluid handling element with the control element of the main instrument, and controlling fluid flow between the fluid handling element and the fluid component separator with the control elements.

[0027] Certain objects and advantages of the invention(s) are described herein. Of course, it is to be understood that not necessarily all such objects or advantages may be achieved in accordance with any particular embodiment. Thus, for example, those skilled in the art will recognize that the invention(s) may be embodied or carried out in a manner that achieves or optimizes one advantage or group of advantages as taught herein without necessarily achieving other objects or advantages as may be taught or suggested herein.

[0028] Certain embodiments are summarized above. However, despite the foregoing discussion of certain embodiments, only the appended claims (and not the present summary) are intended to define the invention(s). The summarized embodiments, and other embodiments, will become readily apparent to those skilled in the art from the following detailed description of the preferred embodiments having reference to the attached figures, the invention(s) not being limited to any particular embodiment(s) disclosed.

Brief Description of the Drawings

[0029] FIGURE 1 is a schematic of a fluid handling system in accordance with one embodiment;

[0030] FIGURE 1A is a schematic of a fluid handling system, wherein a fluid handling and analysis apparatus of the fluid handling system is shown in a cutaway view;

[0031] FIGURE 1B is a cross-sectional view of a bundle of the fluid handling system of FIGURE 1A taken along the line 1B-1B;

[0032] FIGURE 2 is a schematic of an embodiment of a sampling apparatus;

[0033] FIGURE 3 is a schematic showing details of an embodiment of a sampling apparatus;

[0034] FIGURE 4 is a schematic of an embodiment of a sampling unit;

[0035] FIGURE 5 is a schematic of an embodiment of a sampling apparatus;

[0036] FIGURE 6A is a schematic of an embodiment of gas injector manifold;

[0037] FIGURE 6B is a schematic of an embodiment of gas injector manifold;

[0038] FIGURES 7A-7J are schematics illustrating methods of using the infusion and blood analysis system, where FIGURE 7A shows one embodiment of a method of infusing a patient, and FIGURES 7B-7J illustrate steps in a method of sampling from a

patient, where FIGURE 7B shows fluid being cleared from a portion of the first and second passageways; FIGURE 7C shows a sample being drawn into the first passageway; FIGURE 7D shows a sample being drawn into second passageway; FIGURE 7E shows air being injected into the sample; FIGURE 7F shows bubbles being cleared from the second passageway; FIGURES 7H and 7I show the sample being pushed part way into the second passageway followed by fluid and more bubbles; and FIGURE 7J shows the sample being pushed to analyzer;

[0039] FIGURE 8 is a perspective front view of an embodiment of a sampling apparatus;

[0040] FIGURE 9 is a schematic front view of one embodiment of a sampling apparatus cassette;

[0041] FIGURE 10 is a schematic front view of one embodiment of a sampling apparatus instrument;

[0042] FIGURE 11 is an illustration of one embodiment of an arterial patient connection;

[0043] FIGURE 12 is an illustration of one embodiment of a venous patient connection;

[0044] FIGURES 13A, 13B, and 13C are various views of one embodiment of a pinch valve of the present invention, where FIGURE 13A is a front view, FIGURE 13B is a sectional view, and FIGURE 13C is a sectional view showing one valve in a closed position;

[0045] FIGURES 14A and 14B are various views of one embodiment of a pinch valve, where FIGURE 14A is a front view and FIGURE 14B is a sectional view showing one valve in a closed position;

[0046] FIGURE 15 is a side view of one embodiment of a separator;

[0047] FIGURE 16 is an exploded perspective view of the separator of FIGURE 15;

[0048] FIGURE 17 is one embodiment of a fluid analysis apparatus;

[0049] FIGURE 18 is a top view of a cuvette for use in the apparatus of FIGURE 17;

[0050] FIGURE 19 is a side view of the cuvette of FIGURE 18;

- [0051] FIGURE 20 is an exploded perspective view of the cuvette of FIGURE 18;
- [0052] FIGURE 21 is a schematic of an embodiment of a sample preparation unit;
- [0053] FIGURE 22A is a perspective view of another embodiment of a fluid handling and analysis apparatus having a main instrument and removable cassette;
- [0054] FIGURE 22B is a partial cutaway, side elevational view of the fluid handling and analysis apparatus with the cassette spaced from the main instrument;
- [0055] FIGURE 22C is a cross-sectional view of the fluid handling and analysis apparatus of FIGURE 22A wherein the cassette is installed onto the main instrument;
- [0056] FIGURE 23A is a cross-sectional view of the cassette of the fluid handling and analysis apparatus of FIGURE 22A taken along the line 23A-23A;
- [0057] FIGURE 23B is a cross-sectional view of the cassette of FIGURE 23A taken along the line 23B-23B of FIGURE 23A;
- [0058] FIGURE 23C is a cross-sectional view of the fluid handling and analysis apparatus having a fluid handling network, wherein a rotor of the cassette is in a generally vertical orientation;
- [0059] FIGURE 23D is a cross-sectional view of the fluid handling and analysis apparatus, wherein the rotor of the cassette is in a generally horizontal orientation;
- [0060] FIGURE 23E is a front elevational view of the main instrument of the fluid handling and analysis apparatus of FIGURE 23C;
- [0061] FIGURE 24A is a cross-sectional view of the fluid handling and analysis apparatus having a fluid handling network in accordance with another embodiment;
- [0062] FIGURE 24B is a front elevational view of the main instrument of the fluid handling and analysis apparatus of FIGURE 24A;
- [0063] FIGURE 25A is a front elevational view of a rotor having a sample element for holding sample fluid;
- [0064] FIGURE 25B is a rear elevational view of the rotor of FIGURE 25A;
- [0065] FIGURE 25C is a front elevational view of the rotor of FIGURE 25A with the sample element filled with a sample fluid;
- [0066] FIGURE 25D is a front elevational view of the rotor of FIGURE 25C after the sample fluid has been separated;

[0067] FIGURE 25E is a cross-sectional view of the rotor taken along the line 25E-25E of FIGURE 25A;

[0068] FIGURE 25F is an enlarged sectional view of the rotor of FIGURE 25E;

[0069] FIGURE 26A is an exploded perspective view of a sample element for use with a rotor of a fluid handling and analysis apparatus;

[0070] FIGURE 26B is a perspective view of an assembled sample element;

[0071] FIGURE 27A is a front elevational view of a fluid interface for use with a cassette;

[0072] FIGURE 27B is a top elevational view of the fluid interface of FIGURE 27A;

[0073] FIGURE 27C is an enlarged side view of a fluid interface engaging a rotor;

[0074] FIGURE 28 is a cross-sectional view of the main instrument of the fluid handling and analysis apparatus of FIGURE 22A taken along the line 28-28;

[0075] FIGURE 29 is a graph illustrating the absorption spectra of various components that may be present in a blood sample;

[0076] FIGURE 30 is a graph illustrating the change in the absorption spectra of blood having the indicated additional components of FIGURE 29 relative to a Sample Population blood and glucose concentration, where the contribution due to water has been numerically subtracted from the spectra;

[0077] FIGURE 31 is an embodiment of an analysis method for determining the concentration of an analyte in the presence of possible interferents;

[0078] FIGURE 32 is one embodiment of a method for identifying interferents in a sample for use with the embodiment of FIGURE 31;

[0079] FIGURE 33A is a graph illustrating one embodiment of the method of FIGURE 32, and FIGURE 33B is a graph further illustrating the method of FIGURE 32;

[0080] FIGURE 34 is a one embodiment of a method for generating a model for identifying possible interferents in a sample for use with an embodiment of FIGURE 31;

[0081] FIGURE 35 is a schematic of one embodiment of a method for generating randomly-scaled interferent spectra;

[0082] FIGURE 36 is one embodiment of a distribution of interferent concentrations for use with the embodiment of FIGURE 35;

[0083] FIGURE 37 is a schematic of one embodiment of a method for generating combination interferent spectra;

[0084] FIGURE 38 is a schematic of one embodiment of a method for generating an interferent-enhanced spectral database;

[0085] FIGURE 39 is a graph illustrating the effect of interferents on the error of glucose estimation;

[0086] FIGURES 40A, 40B, 40C, and 40D each have a graph showing a comparison of the absorption spectrum of glucose with different interferents taken using two different techniques: a Fourier Transform Infrared (FTIR) spectrometer having an interpolated resolution of 1 cm^{-1} (solid lines with triangles); and by 25 finite-bandwidth IR filters having a Gaussian profile and full-width half-maximum (FWHM) bandwidth of 28 cm^{-1} corresponding to a bandwidth that varies from 140 nm at $7.08 \mu\text{m}$, up to 279 nm at $10 \mu\text{m}$ (dashed lines with circles). The Figures show a comparison of glucose with mannitol (FIGURE 40A), dextran (FIGURE 40B), n-acetyl L cysteine (FIGURE 40C), and procainamide (FIGURE 40D), at a concentration level of 1 mg/dL and path length of $1 \mu\text{m}$;

[0087] FIGURE 41 shows a graph of the blood plasma spectra for 6 blood sample taken from three donors in arbitrary units for a wavelength range from $7 \mu\text{m}$ to $10 \mu\text{m}$, where the symbols on the curves indicate the central wavelengths of the 25 filters;

[0088] FIGURES 42A, 42B, 42C, and 42D contain spectra of the Sample Population of 6 samples having random amounts of mannitol (FIGURE 42A), dextran (FIGURE 42B), n-acetyl L cysteine (FIGURE 42C), and procainamide (FIGURE 42D), at a concentration levels of 1 mg/dL and path lengths of $1 \mu\text{m}$;

[0089] FIGURES 43A-43D are graphs comparing calibration vectors obtained by training in the presence of an interferent, to the calibration vector obtained by training on clean plasma spectra for mannitol (FIGURE 43A), dextran (FIGURE 43B), n-acetyl L cysteine (FIGURE 43C), and procainamide (FIGURE 43D) for water-free spectra;

[0090] FIGURE 44 is a schematic illustration of another embodiment of the analyte detection system;

[0091] FIGURE 45 is a plan view of one embodiment of a filter wheel suitable for use in the analyte detection system depicted in FIGURE 44;

[0092] FIGURE 46 is a partial sectional view of another embodiment of an analyte detection system;

[0093] FIGURE 47 is a detailed sectional view of a sample detector of the analyte detection system illustrated in FIGURE 46;

[0094] FIGURE 48 is a detailed sectional view of a reference detector of the analyte detection system illustrated in FIGURE 46; and

[0095] FIGURE 49 is an embodiment of an analysis method for analyzing a sample.

[0096] Reference symbols are used in the Figures to indicate certain components, aspects or features shown therein, with reference symbols common to more than one Figure indicating like components, aspects or features shown therein.

Detailed Description of the Preferred Embodiments

[0097] Although certain preferred embodiments and examples are disclosed below, it will be understood by those skilled in the art that the inventive subject matter extends beyond the specifically disclosed embodiments to other alternative embodiments and/or uses of the invention, and to obvious modifications and equivalents thereof. Thus it is intended that the scope of the inventions herein disclosed should not be limited by the particular disclosed embodiments described below. Thus, for example, in any method or process disclosed herein, the acts or operations making up the method/process may be performed in any suitable sequence, and are not necessarily limited to any particular disclosed sequence. For purposes of contrasting various embodiments with the prior art, certain aspects and advantages of these embodiments are described where appropriate herein. Of course, it is to be understood that not necessarily all such aspects or advantages may be achieved in accordance with any particular embodiment. Thus, for example, it should be recognized that the various embodiments may be carried out in a manner that achieves or optimizes one advantage or group of advantages as taught herein without necessarily achieving other aspects or advantages as may be taught or suggested herein. While the systems and methods

discussed herein can be used for invasive techniques, the systems and methods can also be used for non-invasive techniques or other suitable techniques, and can be used in hospitals, healthcare facilities, ICUs, or residences.

OVERVIEW OF EMBODIMENTS OF FLUID HANDLING SYSTEMS

[0098] Disclosed herein are fluid handling systems and various methods of analyzing sample fluids. FIGURE 1 illustrates an embodiment of a fluid handling system **10** which can determine the concentration of one or more substances in a sample fluid, such as a whole blood sample from a patient **P**. The fluid handling system **10** can also deliver an infusion fluid **14** to the patient **P**.

[0099] The fluid handling system **10** is located bedside and generally comprises a container **15** holding the infusion fluid **14** and a sampling system **100** which is in communication with both the container **15** and the patient **P**. In some embodiments, the fluid handling system **10** can be in fluid communication with an extracorporeal fluid conduit containing a volume of a bodily fluid. A tube **13** extends from the container **15** to the sampling system **100**. A tube **12** extends from the sampling system **100** to the patient **P**. In some embodiments, in lieu of the depicted tube **12**, any suitable extracorporeal fluid conduit, such as a catheter, IV tube or an IV network, can be connected to the sampling system **100** with a connector such as the depicted connector **110**. The extracorporeal fluid conduit need not be attached to the patient **P**; for example, the extracorporeal fluid conduit can be in fluid communication with a container of the bodily fluid of interest (e.g. blood), or the extracorporeal fluid conduit can serve as a stand-alone volume of the bodily fluid of interest. In some embodiments, one or more components of the fluid handling system **10** can be located at another facility, room, or other suitable remote location. One or more components of the fluid handling system **10** can communicate with one or more other components of the fluid handling system **10** (or with other devices) by any suitable communication means, such as communication interfaces including, but not limited to, optical interfaces, electrical interfaces, and wireless interfaces. These interfaces can be part of a local network, internet, wireless network, or other suitable networks.

[0100] The Infusion fluid **14** can comprise water, saline, dextrose, lactated Ringer's solution, drugs, insulin, mixtures thereof, or other suitable substances. The

illustrated sampling system **100** allows the infusion fluid to pass to the patient **P** and/or uses the infusion fluid in the analysis. In some embodiments, the fluid handling system **10** may not employ infusion fluid. The fluid handling system **10** may thus draw samples without delivering any fluid to the patient **P**.

[0101] The sampling system **100** can be removably or permanently coupled to the tube **13** and tube **12** via connectors **110**, **120**. The patient connector **110** can selectively control the flow of fluid through a bundle **130**, which includes a patient connection passageway **112** and a sampling passageway **113**, as shown in FIGURE 1B. The sampling system **100** can also draw one or more samples from the patient **P** by any suitable means. The sampling system **100** can perform one or more analyses on the sample, and then returns the sample to the patient or a waste container. In some embodiments, the sampling system **100** is a modular unit that can be removed and replaced as desired. The sampling system **100** can include, but is not limited to, fluid handling and analysis apparatuses, connectors, passageways, catheters, tubing, fluid control elements, valves, pumps, fluid sensors, pressure sensors, temperature sensors, hematocrit sensors, hemoglobin sensors, colorimetric sensors, and gas (or "bubble") sensors, fluid conditioning elements, gas injectors, gas filters, blood plasma separators, and/or communication devices (e.g., wireless devices) to permit the transfer of information within the sampling system or between sampling system **100** and a network. The illustrated sampling system **100** has a patient connector **110** and a fluid handling and analysis apparatus **140**, which analyzes a sample drawn from the patient **P**. The fluid handling and analysis apparatus **140** and patient connector **110** cooperate to control the flow of infusion fluid into, and/or samples withdrawn from, the patient **P**. Samples can also be withdrawn and transferred in other suitable manners.

[0102] FIGURE 1A is a close up view of the fluid handling and analysis apparatus **140** which is partially cutaway to reveal some of its internal components. The fluid handling and analysis apparatus **140** preferably includes a pump **203** that controls the flow of fluid from the container **15** to the patient **P** and/or the flow of fluid drawn from the patient **P**. The pump **203** can selectively control fluid flow rates, direction(s) of fluid flow(s), and other fluid flow parameters as desired. As used herein, the term "pump" is a broad term and means, without limitation, a pressurization/pressure device, vacuum device, or any other

suitable means for causing fluid flow. The pump 203 can include, but is not limited to, a reversible peristaltic pump, two unidirectional pumps that work in concert with valves to provide flow in two directions, a unidirectional pump, a displacement pump, a syringe, a diaphragm pump, roller pump, or other suitable pressurization device.

[0103] The illustrated fluid handling and analysis apparatus 140 has a display 141 and input devices 143. The illustrated fluid handling and analysis apparatus 140 can also have a sampling unit 200 configured to analyze the drawn fluid sample. The sampling unit 200 can thus receive a sample, prepare the sample, and/or subject the sample (prepared or unprepared) to one or more tests. The sampling unit 200 can then analyze results from the tests. The sampling unit 200 can include, but is not limited to, separators, filters, centrifuges, sample elements, and/or detection systems, as described in detail below. The sampling unit 200 (see FIGURE 3) can include an analyte detection system for detecting the concentration of one or more analytes in the body fluid sample. In some embodiments, the sampling unit 200 can prepare a sample for analysis. If the fluid handling and analysis apparatus 140 performs an analysis on plasma contained in whole blood taken from the patient P, filters, separators, centrifuges, or other types of sample preparation devices can be used to separate plasma from other components of the blood. After the separation process, the sampling unit 200 can analyze the plasma to determine, for example, the patient P's glucose level. The sampling unit 200 can employ spectroscopic methods, colorimetric methods, electrochemical methods, or other suitable methods for analyzing samples.

[0104] With continued reference to FIGURES 1 and 1A, the fluid 14 in the container 15 can flow through the tube 13 and into a fluid source passageway 111. The fluid can further flow through the passageway 111 to the pump 203, which can pressurize the fluid. The fluid 14 can then flow from the pump 203 through the patient connection passageway 112 and catheter 11 into the patient P. To analyze the patient's P body fluid (e.g., whole blood, blood plasma, interstitial fluid, bile, sweat, excretions, etc.), the fluid handling and analysis apparatus 140 can draw a sample from the patient P through the catheter 11 to a patient connector 110. The patient connector 110 directs the fluid sample into the sampling passageway 113 which leads to the sampling unit 200. The sampling unit 200 can perform

one or more analyses on the sample. The fluid handling and analysis apparatus **140** can then output the results obtained by the sampling unit **200** on the display **141**.

[0105] In some embodiments, the fluid handling system **10** can draw and analyze body fluid sample(s) from the patient **P** to provide real-time or near-real-time measurement of glucose levels. Body fluid samples can be drawn from the patient **P** continuously, at regular intervals (e.g., every 5, 10, 15, 20, 30 or 60 minutes), at irregular intervals, or at any time or sequence for desired measurements. These measurements can be displayed bedside with the display **141** for convenient monitoring of the patient **P**.

[0106] The illustrated fluid handling system **10** is mounted to a stand **16** and can be used in hospitals, ICUs, residences, healthcare facilities, and the like. In some embodiments, the fluid handling system **10** can be transportable or portable for an ambulatory patient. The ambulatory fluid handling system **10** can be coupled (e.g., strapped, adhered, etc.) to a patient, and may be smaller than the bedside fluid handling system **10** illustrated in FIGURE 1. In some embodiments, the fluid handling system **10** is an implantable system sized for subcutaneous implantation and can be used for continuous monitoring. In some embodiments, the fluid handling system **10** is miniaturized so that the entire fluid handling system can be implanted. In other embodiments, only a portion of the fluid handling system **10** is sized for implantation.

[0107] In some embodiments, the fluid handling system **10** is a disposable fluid handling system and/or has one or more disposable components. As used herein, the term "disposable" when applied to a system or component (or combination of components), such as a cassette or sample element, is a broad term and means, without limitation, that the component in question is used a finite number of times and then discarded. Some disposable components are used only once and then discarded. Other disposable components are used more than once and then discarded. For example, the fluid handling and analysis apparatus **140** can have a main instrument and a disposable cassette that can be installed onto the main instrument, as discussed below. The disposable cassette can be used for predetermined length of time, to prepare a predetermined amount of sample fluid for analysis, etc. In some embodiments, the cassette can be used to prepare a plurality of samples for subsequent analyses by the main instrument. The reusable main instrument can be used with any number

of cassettes as desired. Additionally or alternatively, the cassette can be a portable, handheld cassette for convenient transport. In these embodiments, the cassette can be manually mounted to or removed from the main instrument. In some embodiments, the cassette may be a non disposable cassette which can be permanently coupled to the main instrument, as discussed below.

[0108] Disclosed herein are a number of embodiments of fluid handling systems, sampling systems, fluid handling and analysis apparatuses, analyte detection systems, and methods of using the same. Section I below discloses various embodiments of the fluid handling system that may be used to transport fluid from a patient for analysis. Section II below discloses several embodiments of fluid handling methods that may be used with the apparatus discussed in Section I. Section III below discloses several embodiments of a sampling system that may be used with the apparatus of Section I or the methods of Section II. Section IV below discloses various embodiments of a sample analysis system that may be used to detect the concentration of one or more analytes in a material sample. Section V below discloses methods for determining analyte concentrations from sample spectra.

SECTION I – FLUID HANDLING SYSTEM

[0109] FIGURE 1 is a schematic of the fluid handling system **10** which includes the container **15** supported by the stand **16** and having an interior that is fillable with the fluid **14**, the catheter **11**, and the sampling system **100**. Fluid handling system **10** includes one or more passageways **20** that form conduits between the container, the sampling system, and the catheter. Generally, sampling system **100** is adapted to accept a fluid supply, such as fluid **14**, and to be connected to a patient, including, but not limited to catheter **11** which is used to catheterize a patient **P**. Fluid **14** includes, but is not limited to, fluids for infusing a patient such as saline, lactated Ringer's solution, or water. Sampling system **100**, when so connected, is then capable of providing fluid to the patient. In addition, sampling system **100** is also capable of drawing samples, such as blood, from the patient through catheter **11** and passageways **20**, and analyzing at least a portion of the drawn sample. Sampling system **100** measures characteristics of the drawn sample including, but not limited to, one or more of the blood plasma glucose, blood urea nitrogen (BUN), hematocrit, hemoglobin, or lactate levels. Optionally, sampling system **100** includes other devices or sensors to measure other patient or

apparatus related information including, but not limited to, patient blood pressure, pressure changes within the sampling system, or sample draw rate.

[0110] More specifically, FIGURE 1 shows sampling system 100 as including the patient connector 110, the fluid handling and analysis apparatus 140, and the connector 120. Sampling system 100 may include combinations of passageways, fluid control and measurement devices, and analysis devices to direct, sample, and analyze fluid. Passageways 20 of sampling system 100 include the fluid source passageway 111 from connector 120 to fluid handling and analysis apparatus 140, the patient connection passageway 112 from the fluid handling and analysis apparatus to patient connector 110, and the sampling passageway 113 from the patient connector to the fluid handling and analysis apparatus. The reference of passageways 20 as including one or more passageway, for example passageways 111, 112, and 113 are provided to facilitate discussion of the system. It is understood that passageways may include one or more separate components and may include other intervening components including, but not limited to, pumps, valves, manifolds, and analytic equipment.

[0111] As used herein, the term "passageway" is a broad term and is used in its ordinary sense and includes, without limitation except as explicitly stated, as any opening through a material through which a fluid, such as a liquid or a gas, may pass so as to act as a conduit. Passageways include, but are not limited to, flexible, inflexible or partially flexible tubes, laminated structures having openings, bores through materials, or any other structure that can act as a conduit and any combination or connections thereof. The internal surfaces of passageways that provide fluid to a patient or that are used to transport blood are preferably biocompatible materials, including but not limited to silicone, polyetheretherketone (PEEK), or polyethylene (PE). One type of preferred passageway is a flexible tube having a fluid contacting surface formed from a biocompatible material. A passageway, as used herein, also includes separable portions that, when connected, form a passageway.

[0112] The inner passageway surfaces may include coatings of various sorts to enhance certain properties of the conduit, such as coatings that affect the ability of blood to clot or to reduce friction resulting from fluid flow. Coatings include, but are not limited to, molecular or ionic treatments.

[0113] As used herein, the term “connected” is a broad term and is used in its ordinary sense and includes, without limitation except as explicitly stated, with respect to two or more things (e.g., elements, devices, patients, etc.): a condition of physical contact or attachment, whether direct, indirect (via, e.g., intervening member(s)), continuous, selective, or intermittent; and/or a condition of being in fluid, electrical, or optical-signal communication, whether direct, indirect, continuous, selective (e.g., where there exist one or more intervening valves, fluid handling components, switches, loads, or the like), or intermittent. A condition of fluid communication is considered to exist whether or not there exists a continuous or contiguous liquid or fluid column extending between or among the two or more things in question. Various types of connectors can connect components of the fluid handling system described herein. As used herein, the term “connector” is a broad term and is used in its ordinary sense and includes, without limitation except as explicitly stated, as a device that connects passageways or electrical wires to provide communication (whether direct, indirect, continuous, selective, or intermittent) on either side of the connector. Connectors contemplated herein include a device for connecting any opening through which a fluid may pass. These connectors may have intervening valves, switches, fluid handling devices, and the like for affecting fluid flow. In some embodiments, a connector may also house devices for the measurement, control, and preparation of fluid, as described in several of the embodiments.

[0114] Fluid handling and analysis apparatus **140** may control the flow of fluids through passageways **20** and the analysis of samples drawn from a patient **P**, as described subsequently. Fluid handling and analysis apparatus **140** includes the display **141** and input devices, such as buttons **143**. Display **141** provides information on the operation or results of an analysis performed by fluid handling and analysis apparatus **140**. In one embodiment, display **141** indicates the function of buttons **143**, which are used to input information into fluid handling and analysis apparatus **140**. Information that may be input into or obtained by fluid handling and analysis apparatus **140** includes, but is not limited to, a required infusion or dosage rate, sampling rate, or patient specific information which may include, but is not limited to, a patient identification number or medical information. In an other alternative embodiment, fluid handling and analysis apparatus **140** obtains information on patient **P** over

a communications network, for example an hospital communication network having patient specific information which may include, but is not limited to, medical conditions, medications being administered, laboratory blood reports, gender, and weight. As one example of the use of fluid handling system **10**, which is not meant to limit the scope of the present invention, FIGURE 1 shows catheter **11** connected to patient **P**.

[0115] As discussed subsequently, fluid handling system **10** may catheterize a patient's vein or artery. Sampling system **100** is releasably connectable to container **15** and catheter **11**. Thus, for example, FIGURE 1 shows container **15** as including the tube **13** to provide for the passage of fluid to, or from, the container, and catheter **11** as including the tube **12** external to the patient. Connector **120** is adapted to join tube **13** and passageway **111**. Patient connector **110** is adapted to join tube **12** and to provide for a connection between passageways **112** and **113**.

[0116] Patient connector **110** may also include one or more devices that control, direct, process, or otherwise affect the flow through passageways **112** and **113**. In some embodiments, one or more lines **114** are provided to exchange signals between patient connector **110** and fluid handling and analysis apparatus **140**. The lines **114** can be electrical lines, optical communicators, wireless communication channels, or other means for communication. As shown in FIGURE 1, sampling system **100** may also include passageways **112** and **113**, and lines **114**. The passageways and electrical lines between apparatus **140** and patient connector **110** are referred to, with out limitation, as the bundle **130**.

[0117] In various embodiments, fluid handling and analysis apparatus **140** and/or patient connector **110**, includes other elements (not shown in FIGURE 1) that include, but are not limited to: fluid control elements, including but not limited to valves and pumps; fluid sensors, including but not limited to pressure sensors, temperature sensors, hematocrit sensors, hemoglobin sensors, colorimetric sensors, and gas (or "bubble") sensors; fluid conditioning elements, including but not limited to gas injectors, gas filters, and blood plasma separators; and wireless communication devices to permit the transfer of information within the sampling system or between sampling system **100** and a wireless network.

[0118] In one embodiment, patient connector **110** includes devices to determine when blood has displaced fluid **14** at the connector end, and thus provides an indication of when a sample is available for being drawn through passageway **113** for sampling. The presence of such a device at patient connector **110** allows for the operation of fluid handling system **10** for analyzing samples without regard to the actual length of tube **12**. Accordingly, bundle **130** may include elements to provide fluids, including air, or information communication between patient connector **110** and fluid handling and analysis apparatus **140** including, but not limited to, one or more other passageways and/or wires.

[0119] In one embodiment of sampling system **100**, the passageways and lines of bundle **130** are sufficiently long to permit locating patient connector **110** near patient **P**, for example with tube **12** having a length of less than 0.1 to 0.5 meters, or preferably approximately 0.15 meters and with fluid handling and analysis apparatus **140** located at a convenient distance, for example on a nearby stand **16**. Thus, for example, bundle **130** is from 0.3 to 3 meters, or more preferably from 1.5 to 2.0 meters in length. It is preferred, though not required, that patient connector **110** and connector **120** include removable connectors adapted for fitting to tubes **12** and **13**, respectively. Thus, in one embodiment, container **15**/tube **13** and catheter **11**/tube **12** are both standard medical components, and sampling system **100** allows for the easy connection and disconnection of one or both of the container and catheter from fluid handling system **10**.

[0120] In another embodiment of sampling system **100**, tubes **12** and **13** and a substantial portion of passageways **111** and **112** have approximately the same internal cross-sectional area. It is preferred, though not required, that the internal cross-sectional area of passageway **113** is less than that of passageways **111** and **112** (see FIGURE 1B). As described subsequently, the difference in areas permits fluid handling system **10** to transfer a small sample volume of blood from patient connector **110** into fluid handling and analysis apparatus **140**.

[0121] Thus, for example, in one embodiment passageways **111** and **112** are formed from a tube having an inner diameter from 0.3 millimeter to 1.50 millimeter, or more preferably having a diameter from 0.60 millimeter to 1.2 millimeter. Passageway **113** is

formed from a tube having an inner diameter from 0.3 millimeter to 1.5 millimeter, or more preferably having an inner diameter of from 0.6 millimeter to 1.2 millimeter.

[0122] While FIGURE 1 shows sampling system 100 connecting a patient to a fluid source, the scope of the present disclosure is not meant to be limited to this embodiment. Alternative embodiments include, but are not limited to, a greater or fewer number of connectors or passageways, or the connectors may be located at different locations within fluid handling system 10, and alternate fluid paths. Thus, for example, passageways 111 and 112 may be formed from one tube, or may be formed from two or more coupled tubes including, for example, branches to other tubes within sampling system 100, and/or there may be additional branches for infusing or obtaining samples from a patient. In addition, patient connector 110 and connector 120 and sampling system 100 alternatively include additional pumps and/or valves to control the flow of fluid as described below.

[0123] FIGURES 1A and 2 illustrate a sampling system 100 configured to analyze blood from patient P which may be generally similar to the embodiment of the sampling system illustrated in FIGURE 1, except as further detailed below. Where possible, similar elements are identified with identical reference numerals in the depiction of the embodiments of FIGURES 1 to 2. FIGURES 1A and 2 show patient connector 110 as including a sampling assembly 220 and a connector 230, portions of passageways 111 and 113, and lines 114, and fluid handling and analysis apparatus 140 as including the pump 203, the sampling unit 200, and a controller 210. The pump 203, sampling unit 200, and controller 210 are contained within a housing 209 of the fluid handling and analysis apparatus 140. The passageway 111 extends from the connector 120 through the housing 209 to the pump 203. The bundle 130 extends from the pump 203, sampling unit 200, and controller 210 to the patient connector 110.

[0124] In FIGURES 1A and 2, the passageway 111 provides fluid communication between connector 120 and pump 203 and passageway 113 provides fluid communication between pump 203 and connector 110. Controller 210 is in communication with pump 203, sampling unit 200, and sampling assembly 220 through lines 114. Controller 210 has access to memory 212, and optionally has access to a media reader 214, including but not limited to a DVD or CD-ROM reader, and communications link 216, which can comprise a wired or

wireless communications network, including but not limited to a dedicated line, an intranet, or an Internet connection.

[0125] As described subsequently in several embodiments, sampling unit 200 may include one or more passageways, pumps and/or valves, and sampling assembly 220 may include passageways, sensors, valves, and/or sample detection devices. Controller 210 collects information from sensors and devices within sampling assembly 220, from sensors and analytical equipment within sampling unit 200, and provides coordinated signals to control pump 203 and pumps and valves, if present, in sampling assembly 220.

[0126] Fluid handling and analysis apparatus 140 includes the ability to pump in a forward direction (towards the patient) and in a reverse direction (away from the patient). Thus, for example, pump 203 may direct fluid 14 into patient P or draw a sample, such as a blood sample from patient P, from catheter 11 to sampling assembly 220, where it is further directed through passageway 113 to sampling unit 200 for analysis. Preferably, pump 203 provides a forward flow rate at least sufficient to keep the patient vascular line open. In one embodiment, the forward flow rate is from 1 to 5 ml/hr. In some embodiments, the flow rate of fluid is about 0.05 ml/hr, 0.1 ml/hr, 0.2 ml/hr, 0.4 ml/hr, 0.6 ml/hr, 0.8 ml/hr, 1.0 ml/hr, and ranges encompassing such flow rates. In some embodiments, for example, the flow rate of fluid is less than about 1.0 ml/hr. In certain embodiments, the flow rate of fluid may be about 0.1 ml/hr or less. When operated in a reverse direction, fluid handling and analysis apparatus 140 includes the ability to draw a sample from the patient to sampling assembly 220 and through passageway 113. In one embodiment, pump 203 provides a reverse flow to draw blood to sampling assembly 220, preferably by a sufficient distance past the sampling assembly to ensure that the sampling assembly contains an undiluted blood sample. In one embodiment, passageway 113 has an inside diameter of from 25 to 200 microns, or more preferably from 50 to 100 microns. Sampling unit 200 extracts a small sample, for example from 10 to 100 microliters of blood, or more preferably approximately 40 microliters volume of blood, from sampling assembly 220.

[0127] In one embodiment, pump 203 is a directionally controllable pump that acts on a flexible portion of passageway 111. Examples of a single, directionally controllable pump include, but are not limited to a reversible peristaltic pump or two unidirectional pumps

that work in concert with valves to provide flow in two directions. In an alternative embodiment, pump 203 includes a combination of pumps, including but not limited to displacement pumps, such as a syringe, and/or valve to provide bi-directional flow control through passageway 111.

[0128] Controller 210 includes one or more processors for controlling the operation of fluid handling system 10 and for analyzing sample measurements from fluid handling and analysis apparatus 140. Controller 210 also accepts input from buttons 143 and provides information on display 141. Optionally, controller 210 is in bi-directional communication with a wired or wireless communication system, for example a hospital network for patient information. The one or more processors comprising controller 210 may include one or more processors that are located either within fluid handling and analysis apparatus 140 or that are networked to the unit.

[0129] The control of fluid handling system 10 by controller 210 may include, but is not limited to, controlling fluid flow to infuse a patient and to sample, prepare, and analyze samples. The analysis of measurements obtained by fluid handling and analysis apparatus 140 of may include, but is not limited to, analyzing samples based on inputted patient specific information, from information obtained from a database regarding patient specific information, or from information provided over a network to controller 210 used in the analysis of measurements by apparatus 140.

[0130] Fluid handling system 10 provides for the infusion and sampling of a patient blood as follows. With fluid handling system 10 connected to bag 15 having fluid 14 and to a patient P, controller 210 infuses a patient by operating pump 203 to direct the fluid into the patient. Thus, for example, in one embodiment, the controller directs that samples be obtained from a patient by operating pump 203 to draw a sample. In one embodiment, pump 203 draws a predetermined sample volume, sufficient to provide a sample to sampling assembly 220. In another embodiment, pump 203 draws a sample until a device within sampling assembly 220 indicates that the sample has reached the patient connector 110. As an example which is not meant to limit the scope of the present invention, one such indication is provided by a sensor that detects changes in the color of the sample. Another example is the use of a device that indicates changes in the material within passageway 111

including, but not limited to, a decrease in the amount of fluid 14, a change with time in the amount of fluid, a measure of the amount of hemoglobin, or an indication of a change from fluid to blood in the passageway.

[0131] When the sample reaches sampling assembly 220, controller 210 provides an operating signal to valves and/or pumps in sampling system 100 (not shown) to draw the sample from sampling assembly 220 into sampling unit 200. After a sample is drawn towards sampling unit 200, controller 210 then provides signals to pump 203 to resume infusing the patient. In one embodiment, controller 210 provides signals to pump 203 to resume infusing the patient while the sample is being drawn from sampling assembly 220. In an alternative embodiment, controller 210 provides signals to pump 203 to stop infusing the patient while the sample is being drawn from sampling assembly 220. In another alternative embodiment, controller 210 provides signals to pump 203 to slow the drawing of blood from the patient while the sample is being drawn from sampling assembly 220.

[0132] In another alternative embodiment, controller 210 monitors indications of obstructions in passageways or catheterized blood vessels during reverse pumping and moderates the pumping rate and/or direction of pump 203 accordingly. Thus, for example, obstructed flow from an obstructed or kinked passageway or of a collapsing or collapsed catheterized blood vessel that is being pumped will result in a lower pressure than an unobstructed flow. In one embodiment, obstructions are monitored using a pressure sensor in sampling assembly 220 or along passageways 20. If the pressure begins to decrease during pumping, or reaches a value that is lower than a predetermined value then controller 210 directs pump 203 to decrease the reverse pumping rate, stop pumping, or pump in the forward direction in an effort to reestablish unobstructed pumping.

[0133] FIGURE 3 is a schematic showing details of a sampling system 300 which may be generally similar to the embodiments of sampling system 100 as illustrated in FIGURES 1 and 2, except as further detailed below. Sampling system 300 includes sampling assembly 220 having, along passageway 112: connector 230 for connecting to tube 12, a pressure sensor 317, a colorimetric sensor 311, a first bubble sensor 314a, a first valve 312, a second valve 313, and a second bubble sensor 314b. Passageway 113 forms a "T" with passageway 111 at a junction 318 that is positioned between the first valve 312 and second

valve 313, and includes a gas injector manifold 315 and a third valve 316. The lines 114 comprise control and/or signal lines extending from colorimetric sensor 311, first, second, and third valves (312, 313, 316), first and second bubble sensors (314a, 314b), gas injector manifold 315, and pressure sensor 317. Sampling system 300 also includes sampling unit 200 which has a bubble sensor 321, a sample analysis device 330, a first valve 323a, a waste receptacle 325, a second valve 323b, and a pump 328. Passageway 113 forms a "T" to form a waste line 324 and a pump line 327.

[0134] It is preferred, though not necessary, that the sensors of sampling system 100 are adapted to accept a passageway through which a sample may flow and that sense through the walls of the passageway. As described subsequently, this arrangement allows for the sensors to be reusable and for the passageways to be disposable. It is also preferred, though not necessary, that the passageway is smooth and without abrupt dimensional changes which may damage blood or prevent smooth flow of blood. In addition, is also preferred that the passageways that deliver blood from the patient to the analyzer not contain gaps or size changes that permit fluid to stagnate and not be transported through the passageway.

[0135] In one embodiment, the respective passageways on which valves 312, 313, 316, and 323 are situated along passageways that are flexible tubes, and valves 312, 313, 316, and 323 are "pinch valves," in which one or more movable surfaces compress the tube to restrict or stop flow therethrough. In one embodiment, the pinch valves include one or more moving surfaces that are actuated to move together and "pinch" a flexible passageway to stop flow therethrough. Examples of a pinch valve include, for example, Model PV256 Low Power Pinch Valve (Instech Laboratories, Inc., Plymouth Meeting, PA). Alternatively, one or more of valves 312, 313, 316, and 323 may be other valves for controlling the flow through their respective passageways.

[0136] Colorimetric sensor 311 accepts or forms a portion of passageway 111 and provides an indication of the presence or absence of blood within the passageway. In one embodiment, colorimetric sensor 311 permits controller 210 to differentiate between fluid 14 and blood. Preferably, colorimetric sensor 311 is adapted to receive a tube or other passageway for detecting blood. This permits, for example, a disposable tube to be placed into or through a reusable colorimetric sensor. In an alternative embodiment, colorimetric

sensor **311** is located adjacent to bubble sensor **314b**. Examples of a colorimetric sensor include, for example, an Optical Blood Leak/Blood vs. Saline Detector available from Introtek International (Edgewood, NJ).

[0137] As described subsequently, sampling system **300** injects a gas – referred to herein and without limitation as a “bubble” – into passageway **113**. Sampling system **300** includes gas injector manifold **315** at or near junction **318** to inject one or more bubbles, each separated by liquid, into passageway **113**. The use of bubbles is useful in preventing longitudinal mixing of liquids as they flow through passageways both in the delivery of a sample for analysis with dilution and for cleaning passageways between samples. Thus, for example the fluid in passageway **113** includes, in one embodiment of the invention, two volumes of liquids, such as sample **S** or fluid **14** separated by a bubble, or multiple volumes of liquid each separated by a bubble therebetween.

[0138] Bubble sensors **314a**, **314b** and **321** each accept or form a portion of passageway **112** or **113** and provide an indication of the presence of air, or the change between the flow of a fluid and the flow of air, through the passageway. Examples of bubble sensors include, but are not limited to ultrasonic or optical sensors, that can detect the difference between small bubbles or foam from liquid in the passageway. Once such bubble detector is an MEC Series Air Bubble/ Liquid Detection Sensor (Introtek International, Edgewood, NY). Preferably, bubble sensor **314a**, **314b**, and **321** are each adapted to receive a tube or other passageway for detecting bubbles. This permits, for example, a disposable tube to be placed through a reusable bubble sensor.

[0139] Pressure sensor **317** accepts or forms a portion of passageway **111** and provides an indication or measurement of a fluid within the passageway. When all valves between pressure sensor **317** and catheter **11** are open, pressure sensor **317** provides an indication or measurement of the pressure within the patient's catheterized blood vessel. In one embodiment, the output of pressure sensor **317** is provided to controller **210** to regulate the operation of pump **203**. Thus, for example, a pressure measured by pressure sensor **317** above a predetermined value is taken as indicative of a properly working system, and a pressure below the predetermined value is taken as indicative of excessive pumping due to, for example, a blocked passageway or blood vessel. Thus, for example, with pump **203**

operating to draw blood from patient **P**, if the pressure as measured by pressure sensor **317** is within a range of normal blood pressures, it may be assumed that blood is being drawn from the patient and pumping continues. However, if the pressure as measured by pressure sensor **317** falls below some level, then controller **210** instructs pump **203** to slow or to be operated in a forward direction to reopen the blood vessel. One such pressure sensor is a Deltran IV part number DPT-412 (Utah Medical Products, Midvale, UT).

[0140] Sample analysis device **330** receives a sample and performs an analysis. In several embodiments, device **330** is configured to prepare of the sample for analysis. Thus, for example, device **330** may include a sample preparation unit **332** and an analyte detection system **334**, where the sample preparation unit is located between the patient and the analyte detection system. In general, sample preparation occurs between sampling and analysis. Thus, for example, sample preparation unit **332** may take place removed from analyte detection, for example within sampling assembly **220**, or may take place adjacent or within analyte detection system **334**.

[0141] As used herein, the term “analyte” is a broad term and is used in its ordinary sense and includes, without limitation, any chemical species the presence or concentration of which is sought in the material sample by an analyte detection system. For example, the analyte(s) include, but not are limited to, glucose, ethanol, insulin, water, carbon dioxide, blood oxygen, cholesterol, bilirubin, ketones, fatty acids, lipoproteins, albumin, urea, creatinine, white blood cells, red blood cells, hemoglobin, oxygenated hemoglobin, carboxyhemoglobin, organic molecules, inorganic molecules, pharmaceuticals, cytochrome, various proteins and chromophores, microcalcifications, electrolytes, sodium, potassium, chloride, bicarbonate, and hormones. As used herein, the term “material sample” (or, alternatively, “sample”) is a broad term and is used in its ordinary sense and includes, without limitation, any collection of material which is suitable for analysis. For example, a material sample may comprise whole blood, blood components (e.g., plasma or serum), interstitial fluid, intercellular fluid, saliva, urine, sweat and/or other organic or inorganic materials, or derivatives of any of these materials. In one embodiment, whole blood or blood components may be drawn from a patient’s capillaries.

[0142] In one embodiment, sample preparation unit 332 separates blood plasma from a whole blood sample or removes contaminants from a blood sample and thus comprises one or more devices including, but not limited to, a filter, membrane, centrifuge, or some combination thereof. In alternative embodiments, analyte detection system 334 is adapted to analyze the sample directly and sample preparation unit 332 is not required.

[0143] Generally, sampling assembly 220 and sampling unit 200 direct the fluid drawn from sampling assembly 220 into passageway 113 into sample analysis device 330. FIGURE 4 is a schematic of an embodiment of a sampling unit 400 that permits some of the sample to bypass sample analysis device 330. Sampling unit 400 may be generally similar to sampling unit 200, except as further detailed below. Sampling unit 400 includes bubble sensor 321, valve 323, sample analysis device 330, waste line 324, waste receptacle 325, valve 326, pump line 327, pump 328, a valve 322, and a waste line 329. Waste line 329 includes valve 322 and forms a "T" at pump line 337 and waste line 329. Valves 316, 322, 323, and 326 permit a flow through passageway 113 to be routed through sample analysis device 330, to be routed to waste receptacle 325, or to be routed through waste line 324 to waste receptacle 325.

[0144] FIGURE 5 is a schematic of one embodiment of a sampling system 500 which may be generally similar to the embodiments of sampling system 100 or 300 as illustrated in FIGURES 1 through 4, except as further detailed below. Sampling system 500 includes an embodiment of a sampling unit 510 and differs from sampling system 300 in part, in that liquid drawn from passageway 111 may be returned to passageway 111 at a junction 502 between pump 203 and connector 120.

[0145] With reference to FIGURE 5, sampling unit 510 includes a return line 503 that intersects passageway 111 on the opposite side of pump 203 from passageway 113, a bubble sensor 505 and a pressure sensor 507, both of which are controlled by controller 210. Bubble sensor 505 is generally similar to bubble sensors 314a, 314b and 321 and pressure sensor 507 is generally similar to pressure sensor 317. Pressure sensor 507 is useful in determining the correct operation of sampling system 500 by monitoring pressure in passageway 111. Thus, for example, the pressure in passageway 111 is related to the pressure at catheter 11 when pressure sensor 507 is in fluid communication with catheter 11 (that is,

when any intervening valve(s) are open). The output of pressure sensor **507** is used in a manner similar to that of pressure sensor **317** described previously in controlling pumps of sampling system **500**.

[0146] Sampling unit **510** includes valves **501**, **326a**, and **326b** under the control of controller **210**. Valve **501** provides additional liquid flow control between sampling unit **200** and sampling unit **510**. Pump **328** is preferably a bi-directional pump that can draw fluid from and into passageway **113**. Fluid may either be drawn from and returned to passageway **501**, or may be routed to waste receptacle **325**. Valves **326a** and **326b** are situated on either side of pump **328**. Fluid can be drawn through passageway **113** and into return line **503** by the coordinated control of pump **328** and valves **326a** and **326b**. Directing flow from return line **503** can be used to prime sampling system **500** with fluid. Thus, for example, liquid may be pulled into sampling unit **510** by operating pump **328** to pull liquid from passageway **113** while valve **326a** is open and valve **326b** is closed. Liquid may then be pumped back into passageway **113** by operating pump **328** to push liquid into passageway **113** while valve **326a** is closed and valve **326b** is open.

[0147] FIGURE 6A is a schematic of an embodiment of gas injector manifold **315** which may be generally similar or included within the embodiments illustrated in FIGURES 1 through 5, except as further detailed below. Gas injector manifold **315** is a device that injects one or more bubbles in a liquid within passageway **113** by opening valves to the atmosphere and lowering the liquid pressure within the manifold to draw in air. As described subsequently, gas injector manifold **315** facilitates the injection of air or other gas bubbles into a liquid within passageway **113**. Gas injector manifold **315** has three gas injectors **610** including a first injector **610a**, a second injector **610b**, and a third injector **610c**. Each injector **610** includes a corresponding passageway **611** that begins at one of several laterally spaced locations along passageway **113** and extends through a corresponding valve **613** and terminates at a corresponding end **615** that is open to the atmosphere. In an alternative embodiment, a filter is placed in end **615** to filter out dust or particles in the atmosphere. As described subsequently, each injector **610** is capable of injecting a bubble into a liquid within passageway **113** by opening the corresponding valve **613**, closing a valve on one end of passageway **113** and operating a pump on the opposite side of the passageway to lower the

pressure and pull atmospheric air into the fluid. In one embodiment of gas injector manifold **315**, passageways **113** and **611** are formed within a single piece of material (e.g., as bores formed in or through a plastic or metal housing (not shown)). In an alternative embodiment, gas injector manifold **315** includes fewer than three injectors, for example one or two injectors, or includes more than three injectors. In another alternative embodiment, gas injector manifold **315** includes a controllable high pressure source of gas for injection into a liquid in passageway **113**. It is preferred that valves **613** are located close to passageway **113** to minimize trapping of fluid in passageways **611**.

[0148] Importantly, gas injected into passageways **20** should be prevented from reaching catheter **11**. As a safety precaution, one embodiment prevents gas from flowing towards catheter **11** by the use of bubble sensor **314a** as shown, for example, in FIGURE 3. If bubble sensor **314a** detects gas within passageway **111**, then one of several alternative embodiments prevents unwanted gas flow. In one embodiment, flow in the vicinity of sampling assembly **220** is directed into line **113** or through line **113** into waste receptacle **325**. With further reference to FIGURE 3, upon the detection of gas by bubble sensor **314a**, valves **316** and **323a** are opened, valve **313** and the valves **613a**, **613b** and **613c** of gas injector manifold **315** are closed, and pump **328** is turned on to direct flow away from the portion of passageway **111** between sampling assembly **220** and patient **P** into passageway **113**. Bubble sensor **321** is monitored to provide an indication of when passageway **113** clears out. Valve **313** is then opened, valve **312** is closed, and the remaining portion of passageway **111** is then cleared. Alternatively, all flow is immediately halted in the direction of catheter **11**, for example by closing all valves and stopping all pumps. In an alternative embodiment of sampling assembly **220**, a gas-permeable membrane is located within passageway **113** or within gas injector manifold **315** to remove unwanted gas from fluid handling system **10**, e.g., by venting such gas through the membrane to the atmosphere or a waste receptacle.

[0149] FIGURE 6B is a schematic of an embodiment of gas injector manifold **315'** which may be generally similar to, or included within, the embodiments illustrated in FIGURES 1 through 6A, except as further detailed below. In gas injector manifold **315'**, air line **615** and passageway **113** intersect at junction **318**. Bubbles are injected by opening valve **316** and **613** while drawing fluid into passageway **113**. Gas injector manifold **315'** is thus

more compact that gas injector manifold **315**, resulting in a more controllable and reliable gas generator.

SECTION II – FLUID HANDLING METHODS

[0150] One embodiment of a method of using fluid handling system **10**, including sampling assembly **220** and sampling unit **200** of FIGURES 2, 3 and 6A, is illustrated in Table 1 and in the schematic fluidic diagrams of FIGURES 7A-7J. In general, the pumps and valves are controlled to infuse a patient, to extract a sample from the patient up passageway **111** to passageway **113**, and to direct the sample along passageway **113** to device **330**. In addition, the pumps and valves are controlled to inject bubbles into the fluid to isolate the fluid from the diluting effect of previous fluid and to clean the lines between sampling. The valves in FIGURES 7A-7J are labeled with suffices to indicate whether the valve is open or closed. Thus a valve “x,” for example, is shown as valve “x-o” if the valve is open and “x-c” if the valve is closed.

Mode	Step	Pump 203	Pump 328	Valve 312	Valve 313	Valve 613a	Valve 613b	Valve 613c	Valve 316	Valve 323a	Valve 323b
Infuse patient	(FIGURE 7A) Infuse patient	F	Off	O	O	C	C	C	C	C	C
Sample patient	(FIGURE 7B) Clear fluid from passageways	R	Off	C	O	one or more are open			C	C	C
						O	O	O			
	(FIGURE 7C) Draw sample until after colorimetric sensor 311 senses blood	R	Off	O	O	C	C	C	C	C	C
	(FIGURE 7D) Inject sample into bubble manifold	Off	On	O	C	C	C	C	O	C	O
	Alternative to FIGURE 7D	R	On	O	O	C	C	C	O	C	O
	(FIGURE 7E) Inject bubbles	Off	On	C	C	sequentially			O	C	O
						O	O	O			
	(FIGURE 7F) Clear bubbles from patient line	F	Off	C	O	C	C	C	O	O	C
	(FIGURE 7G) Clear blood from patient line	F	Off	O	O	C	C	C	C	C	C
	(FIGURE 7H) Move bubbles out of bubbler	F	Off	C	O	C	C	C	O	O	C
	(FIGURE 7I) Add cleaning bubbles	Off	On	C	C	sequentially			O	C	O
						O	O	O			
	(FIGURE 7J) Push sample to analyzer until bubble sensor 321 detects bubble	F	Off	C	O	C	C	C	O	O	C

F = Forward (fluid into patient), R = Reverse (fluid from patient), O = Open, C = Closed

Table 1. Methods of operating system 10 as illustrated in FIGURES 7A-7J

[0151] FIGURE 7A illustrates one embodiment of a method of infusing a patient. In the step of FIGURE 7A, pump 203 is operated forward (pumping towards the patient) pump 328 is off, or stopped, valves 313 and 312 are open, and valves 613a, 613b, 613c, 316, 323a, and 323b are closed. With these operating conditions, fluid 14 is provided to patient P. In a preferred embodiment, all of the other passageways at the time of the step of FIGURE 7A substantially contain fluid 14.

[0152] The next nine figures (FIGURES 7B-7J) illustrate steps in a method of sampling from a patient. The following steps are not meant to be inclusive of all of the steps of sampling from a patient, and it is understood that alternative embodiments may include more steps, fewer steps, or a different ordering of steps. FIGURE 7B illustrates a first sampling step, where liquid is cleared from a portion of patient connection passageway and sampling passageways 112 and 113. In the step of FIGURE 7B, pump 203 is operated in reverse (pumping away from the patient), pump 328 is off, valve 313 is open, one or more of valves 613a, 613b, and 613c are open, and valves 312, 316, 323a, and 326b are closed. With these operating conditions, air 701 is drawn into sampling passageway 113 and back into patient connection passageway 112 until bubble sensor 314b detects the presence of the air.

[0153] FIGURE 7C illustrates a second sampling step, where a sample is drawn from patient P into patient connection passageway 112. In the step of FIGURE 7C, pump 203 is operated in reverse, pump 328 is off, valves 312 and 313 are open, and valves 316, 613a, 613b, 613c, 323a, and 323b are closed. Under these operating conditions, a sample S is drawn into passageway 112, dividing air 701 into air 701a within sampling passageway 113 and air 701b within the patient connection passageway 112. Preferably this step proceeds until sample S extends just past the junction of passageways 112 and 113. In one embodiment, the step of FIGURE 7C proceeds until variations in the output of colorimetric sensor 311 indicate the presence of a blood (for example by leveling off to a constant value), and then proceeds for an additional set amount of time to ensure the presence of a sufficient volume of sample S.

[0154] FIGURE 7D illustrates a third sampling step, where a sample is drawn into sampling passageway 113. In the step of FIGURE 7D, pump 203 is off, or stopped, pump 328

is on, valves **312**, **316**, and **326b** are open, and valves **313**, **613a**, **613b**, **613c** and **323a** are closed. Under these operating conditions, blood is drawn into passageway **113**. Preferably, pump **328** is operated to pull a sufficient amount of sample **S** into passageway **113**. In one embodiment, pump **328** draws a sample **S** having a volume from 30 to 50 microliters. In an alternative embodiment, the sample is drawn into both passageways **112** and **113**. Pump **203** is operated in reverse, pump **328** is on, valves **312**, **313**, **316**, and **323b** are open, and valves **613a**, **613b**, **613c** and **323a** are closed to ensure fresh blood in sample **S**.

[0155] FIGURE 7E illustrates a fourth sampling step, where air is injected into the sample. Bubbles which span the cross-sectional area of sampling passageway **113** are useful in preventing contamination of the sample as it is pumped along passageway **113**. In the step of FIGURE 7E, pump **203** is off, or stopped, pump **328** is on, valves **316**, and **323b** are open, valves **312**, **313** and **323a** are closed, and valves **613a**, **613b**, **613c** are each opened and closed sequentially to draw in three separated bubbles. With these operating conditions, the pressure in passageway **113** falls below atmospheric pressure and air is drawn into passageway **113**. Alternatively, valves **613a**, **613b**, **613c** may be opened simultaneously for a short period of time, generating three spaced bubbles. As shown in FIGURE 7E, injectors **610a**, **610b**, and **610c** inject bubbles **704**, **703**, and **702**, respectively, dividing sample **S** into a forward sample **S1**, a middle sample **S2**, and a rear sample **S3**.

[0156] FIGURE 7F illustrates a fifth sampling step, where bubbles are cleared from patient connection passageway **112**. In the step of FIGURE 7F, pump **203** is operated in a forward direction, pump **328** is off, valves **313**, **316**, and **323a** are open, and valves **312**, **613a**, **613b**, **613c**, and **323b** are closed. With these operating conditions, the previously injected air **701b** is drawn out of first passageway **111** and into second passageway **113**. This step proceeds until air **701b** is in passageway **113**.

[0157] FIGURE 7G illustrates a sixth sampling step, where blood in passageway **112** is returned to the patient. In the step of FIGURE 7G, pump **203** is operated in a forward direction, pump **328** is off, valves **312** and **313** are open, and valves **316**, **323a**, **613a**, **613b**, **613c** and **323b** are closed. With these operating conditions, the previously injected air remains in passageway **113** and passageway **111** is filled with fluid **14**.

[0158] FIGURES 7H and 7I illustrates a seventh and eighth sampling steps, where the sample is pushed part way into passageway 113 followed by fluid 14 and more bubbles. In the step of FIGURE 7H, pump 203 is operated in a forward direction, pump 328 is off, valves 313, 316, and 323a are open, and valves 312, 613a, 613b, 613c, and 323b are closed. With these operating conditions, sample S is moved partway into passageway 113 with bubbles injected, either sequentially or simultaneously, into fluid 14 from injectors 610a, 610b, and 610c. In the step of FIGURE 7I, the pumps and valves are operated as in the step of FIGURE 7E, and fluid 14 is divided into a forward solution C1, a middle solution C2, and a rear solution C3 separated by bubbles 705, 706, and 707.

[0159] The last step shown in FIGURE 7 is FIGURE 7J, where middle sample S2 is pushed to sample analysis device 330. In the step of FIGURE 7J, pump 203 is operated in a forward direction, pump 328 is off, valves 313, 316, and 323a are open, and valves 312, 613a, 613b, 613c, and 323b are closed. In this configuration, the sample is pushed into passageway 113. When bubble sensor 321 detects bubble 702, pump 203 continues pumping until sample S2 is taken into device sample analysis 330. Additional pumping using the settings of the step of FIGURE 7J permits the sample S2 to be analyzed and for additional bubbles and solutions to be pushed into waste receptacle 325, cleansing passageway 113 prior to accepting a next sample.

SECTION III – SAMPLING SYSTEM

[0160] FIGURE 8 is a perspective front view of a third embodiment of a sampling system 800 which may be generally similar to sampling system 100, 300 or 500 and the embodiments illustrated in FIGURES 1 through 7, except as further detailed below. The fluid handling and analysis apparatus 140 of sampling system 800 includes the combination of an instrument 810 and a sampling system cassette 820. FIGURE 8 illustrates instrument 810 and cassette 820 partially removed from each other. Instrument 810 includes controller 210 (not shown), display 141 and input devices 143, a cassette interface 811, and lines 114. Cassette 820 includes passageway 111 which extends from connector 120 to connector 230, and further includes passageway 113, a junction 829 of passageways 111 and 113, an instrument interface 821, a front surface 823, an inlet 825 for passageway 111, and an inlet 827 for passageways 111 and 113. In addition, sampling assembly 220 is formed from a sampling

assembly instrument portion **813** having an opening **815** for accepting junction **829**. The interfaces **811** and **821** engage the components of instrument **810** and cassette **820** to facilitate pumping fluid and analyzing samples from a patient, and sampling assembly instrument portion **813** accepts junction **829** in opening **815** to provide for sampling from passageway **111**.

[0161] FIGURES 9 and 10 are front views of a sampling system cassette **820** and instrument **810**, respectively, of a sampling system **800**. Cassette **820** and instrument **810**, when assembled, form various components of FIGURES 9 and 10 that cooperate to form an apparatus consisting of sampling unit **510** of FIGURE 5, sampling assembly **220** of FIGURE 3, and gas injection manifold **315'** of FIGURE 6B.

[0162] More specifically, as shown in FIGURE 9, cassette **820** includes passageways **20** including: passageway **111** having portions **111a**, **112a**, **112b**, **112c**, **112d**, **112e**, and **112f**; passageway **113** having portions **113a**, **113b**, **113c**, **113d**, **113e**, and **113f**; passageway **615**; waste receptacle **325**; disposable components of sample analysis device **330** including, for example, a sample preparation unit **332** adapted to allow only blood plasma to pass therethrough and a sample chamber **903** for placement within analyte detection system **334** for measuring properties of the blood plasma; and a displacement pump **905** having a piston control **907**.

[0163] As shown in FIGURE 10, instrument **810** includes bubble sensor units **1001a**, **1001b**, and **1001c**, colorimetric sensor, which is a hemoglobin sensor unit **1003**, a peristaltic pump roller **1005a** and a roller support **1005b**, pincher pairs **1007a**, **1007b**, **1007c**, **1007d**, **1007e**, **1007f**, **1007g**, and **1007h**, an actuator **1009**, and a pressure sensor unit **1011**. In addition, instrument **810** includes portions of sample analysis device **330** which are adapted to measure a sample contained within sample chamber **903** when located near or within a probe region **1002** of an optical analyte detection system **334**.

[0164] Passageway portions of cassette **820** contact various components of instrument **810** to form sampling system **800**. With reference to FIGURE 5 for example, pump **203** is formed from portion **111a** placed between peristaltic pump roller **1005a** and roller support **1005b** to move fluid through passageway **111** when the roller is actuated; valves **501**, **323**, **326a**, and **326b** are formed with pincher pairs **1007a**, **1007b**, **1007c**, and

1007d surrounding portions **113a**, **113c**, **113d**, and **113e**, respectively, to permit or block fluid flow therethrough. Pump **328** is formed from actuator **1009** positioned to move piston control **907**. It is preferred that the interconnections between the components of cassette **820** and instrument **810** described in this paragraph are made with one motion. Thus for example the placement of interfaces **811** and **821** places the passageways against and/or between the sensors, actuators, and other components.

[0165] In addition to placement of interface **811** against interface **821**, the assembly of apparatus **800** includes assembling sampling assembly **220**. More specifically, an opening **815a** and **815b** are adapted to receive passageways **111** and **113**, respectively, with junction **829** within sampling assembly instrument portion **813**. Thus, for example, with reference to FIGURE 3, valves **313** and **312** are formed when portions **112b** and **112c** are placed within pinchers of pinch valves **1007e** and **1007f**, respectively, bubble sensors **314b** and **314a** are formed when bubble sensor units **1001b**, and **1001c** are in sufficient contact with portions **112a** and **112d**, respectively, to determine the presence of bubbles therein; hemoglobin detector is formed when hemoglobin sensor **1003** is in sufficient contact with portion **112e**, and pressure sensor **317** is formed when portion **112f** is in sufficient contact with pressure sensor unit **1011** to measure the pressure of a fluid therein. With reference to FIGURE 6B, valves **316** and **613** are formed when portions **113f** and **615** are placed within pinchers of pinch valves **1007h** and **1007g**, respectively.

[0166] In operation, the assembled main instrument **810** and cassette **820** of FIGURES 9-10 can function as follows. The system can be considered to begin in an idle state or infusion mode in which the roller pump **1005** operates in a forward direction (with the impeller **1005a** turning counterclockwise as shown in FIGURE 10) to pump infusion fluid from the container **15** through the passageway **111** and the passageway **112**, toward and into the patient **P**. In this infusion mode the pump **1005** delivers infusion fluid to the patient at a suitable infusion rate as discussed elsewhere herein.

[0167] When it is time to conduct a measurement, air is first drawn into the system to clear liquid from a portion of the passageways **112**, **113**, in a manner similar to that shown in FIGURE 7B. Here, the single air injector of FIGURE 9 (extending from the junction **829** to end **615**, opposite the passageway **813**) functions in place of the manifold

shown in FIGURES 7A-7J. Next, to draw a sample, the pump **1005** operates in a sample draw mode, by operating in a reverse direction and pulling a sample of bodily fluid (e.g. blood) from the patient into the passageway **112** through the connector **230**. The sample is drawn up to the hemoglobin sensor **1003**, and is preferably drawn until the output of the sensor **1003** reaches a desired plateau level indicating the presence of an undiluted blood sample in the passageway **112** adjacent the sensor **1003**.

[0168] From this point the pumps **905**, **1005**, valves **1007e**, **1007f**, **1007g**, **1007h**, bubble sensors **1001b**, **1001c** and/or hemoglobin sensor **1003** can be operated to move a series of air bubbles and sample-fluid columns into the passageway **113**, in a manner similar to that shown in FIGURES 7D-7F. The pump **905**, in place of the pump **328**, is operable by moving the piston control **907** of the pump **905** in the appropriate direction (to the left or right as shown in FIGURES 9-10) with the actuator **1009**.

[0169] Once a portion of the bodily fluid sample and any desired bubbles have moved into the passageway **113**, the valve **1007h** can be closed, and the remainder of the initial drawn sample or volume of bodily fluid in the passageway **112** can be returned to the patient, by operating the pump **1005** in the forward or infusion direction until the passageway **112** is again filled with infusion fluid.

[0170] With appropriate operation of the valves **1007a-1007h**, and the pump(s) **905** and/or **1005**, at least a portion of the bodily fluid sample in the passageway **113** (which is 10-100 microliters in volume, or 20, 30, 40, 50 or 60 microliters, in various embodiments) is moved through the sample preparation unit **332** (in the depicted embodiment a filter or membrane; alternatively a centrifuge as discussed in greater detail below). Thus, only one or more components of the bodily fluid (e.g., only the plasma of a blood sample) passes through the unit **332** or filter/membrane and enters the sample chamber or cell **903**. Alternatively, where the unit **332** is omitted, the "whole" fluid moves into the sample chamber **903** for analysis.

[0171] Once the component(s) or whole fluid is in the sample chamber **903**, the analysis is conducted to determine a level or concentration of one or more analytes, such as glucose, lactate, carbon dioxide, blood urea nitrogen, hemoglobin, and/or any other suitable analytes as discussed elsewhere herein. Where the analyte detection system **1700** is

spectroscopic (e.g. the system 1700 of FIGURES 17 or 44-46), a spectroscopic analysis of the component(s) or whole fluid is conducted.

[0172] After the analysis, the body fluid sample within the passageway 113 is moved into the waste receptacle 325. Preferably, the pump 905 is operated via the actuator 1009 to push the body fluid, behind a column of saline or infusion fluid obtained via the passageway 909, back through the sample chamber 903 and sample preparation unit 332, and into the receptacle 325. Thus, the chamber 903 and unit 332 are back-flushed and filled with saline or infusion fluid while the bodily fluid is delivered to the waste receptacle. Following this flush a second analysis can be made on the saline or infusion fluid now in the chamber 903, to provide a “zero” or background reading. At this point, the fluid handling network of FIGURE 9, other than the waste receptacle 325, is empty of bodily fluid, and the system is ready to draw another bodily fluid sample for analysis.

[0173] In some embodiments of the apparatus 140, a pair of pinch valve pinchers acts to switch flow between one of two branches of a passageway. FIGURES 13A and 13B are front view and sectional view, respectively, of a first embodiment pinch valve 1300 in an open configuration that can direct flow either one or both of two branches, or legs, of a passageway. Pinch valve 1300 includes two separately controllable pinch valves acting on a “Y” shaped passageway 1310 to allow switch of fluid between various legs. In particular, the internal surface of passageway 1310 forms a first leg 1311 having a flexible pinch region 1312, a second leg 1313 having a flexible pinch region 1314, and a third leg 1315 that joins the first and second legs at an intersection 1317. A first pair of pinch valve pinchers 1320 is positioned about pinch region 1312 and a second pair of pinch valve pinchers 1330 is positioned about pinch region 1314. Each pair of pinch valve pinchers 1320 and 1330 is positioned on opposite sides of their corresponding pinch regions 1312, 1314 and perpendicular to passageway 1310, and are individually controllable by controller 210 to open and close, that is allow or prohibit fluid communication across the pinch regions. Thus, for example, when pinch valve pinchers 1320 (or 1330) are brought sufficiently close, each part of pinch region 1312 (or 1314) touches another part of the pinch region and fluid may not flow across the pinch region.

[0174] As an example of the use of pinch valve 1300, FIGURE 13B shows the first and second pair of pinch valve pinchers 1320, 1330 in an open configuration. FIGURE 13C is a sectional view showing the pair of pinch valve pinchers 1320 brought together, thus closing off a portion of first leg 1311 from the second and third legs 1313, 1315. In part as a result of the distance between pinchers 1320 and intersection 1317 there is a volume 1321 associated with first leg 1311 that is not isolated ("dead space"). It is preferred that dead space is minimized so that fluids of different types can be switched between the various legs of the pinch valve. In one embodiment, the dead space is reduced by placing the pinch valves close to the intersection of the legs. In another embodiment, the dead space is reduced by having passageway walls of varying thickness. Thus, for example, excess material between the pinch valves and the intersection will more effectively isolate a valved leg by displacing a portion of volume 1321.

[0175] As an example of the use of pinch valve 1300 in sampling system 300, pinchers 1320 and 1330 are positioned to act as valve 323 and 326, respectively.

[0176] FIGURES 14A and 14B are various views of a second embodiment pinch valve 1400, where FIGURE 14A is a front view and FIGURE 14B is a sectional view showing one valve in a closed position. Pinch valve 1400 differs from pinch valve 1300 in that the pairs of pinch valve pinchers 1320 and 1330 are replaced by pinchers 1420 and 1430, respectively, that are aligned with passageway 1310.

[0177] Alternative embodiment of pinch valves includes 2, 3, 4, or more passageway segments that meet at a common junction, with pinchers located at one or more passageways near the junction.

[0178] FIGURES 11 and 12 illustrate various embodiment of connector 230 which may also form or be attached to disposable portions of cassette 820 as one embodiment of an arterial patient connector 1100 and one embodiment a venous patient connector 1200. Connectors 1100 and 1200 may be generally similar to the embodiment illustrated in FIGURES 1-10, except as further detailed below.

[0179] As shown in FIGURE 11, arterial patient connector 1100 includes a stopcock 1101, a first tube portion 1103 having a length X, a blood sampling port 1105 to acquire blood samples for laboratory analysis, and fluid handling and analysis apparatus 140,

a second tube **1107** having a length **Y**, and a tube connector **1109**. Arterial patient connector **1100** also includes a pressure sensor unit **1102** that is generally similar to pressure sensor unit **1011**, on the opposite side of sampling assembly **220**. Length **X** is preferably from 6 inches (0.15 meters) to 50 inches (1.27 meters) or approximately 48 inches (1.2 meters) in length. Length **Y** is preferably from 1 inch (25 millimeters) to 20 inches (0.5 meters), or approximately 12 inches (0.3 meters) in length. As shown in FIGURE 12, venous patient connector **1200** includes a clamp **1201**, injection port **1105**, and tube connector **1109**.

SECTION IV – SAMPLE ANALYSIS SYSTEM

[0180] In several embodiments, analysis is performed on blood plasma. For such embodiments, the blood plasma must be separated from the whole blood obtained from the patient. In general, blood plasma may be obtained from whole blood at any point in fluid handling system **10** between when the blood is drawn, for example at patient connector **110** or along passageway **113**, and when it is analyzed. For systems where measurements are performed on whole blood, it may not be necessary to separate the blood at the point of or before the measurements is performed.

[0181] For illustrative purposes, this section describes several embodiments of separators and analyte detection systems which may form part of system **10**. The separators discussed in the present specification can, in certain embodiments, comprise fluid component separators. As used herein, the term “fluid component separator” is a broad term and is used in its ordinary sense and includes, without limitation, any device that is operable to separate one or more components of a fluid to generate two or more unlike substances. For example, a fluid component separator can be operable to separate a sample of whole blood into plasma and non-plasma components, and/or to separate a solid-liquid mix (e.g. a solids-contaminated liquid) into solid and liquid components. A fluid component separator need not achieve complete separation between or among the generated unlike substances. Examples of fluid component separators include filters, membranes, centrifuges, electrolytic devices, or components of any of the foregoing. Fluid component separators can be “active” in that they are operable to separate a fluid more quickly than is possible through the action of gravity on a static, “standing” fluid. Section IV.A below discloses a filter which can be used as a blood separator in certain embodiments of the apparatus disclosed herein. Section IV.B below

discloses an analyte detection system which can be used in certain embodiments of the apparatus disclosed herein. Section IV.C below discloses a sample element which can be used in certain embodiments of the apparatus disclosed herein. Section IV.D below discloses a centrifuge and sample chamber which can be used in certain embodiments of the apparatus disclosed herein.

SECTION IV.A – BLOOD FILTER

[0182] Without limitation as to the scope of the present invention, one embodiment of sample preparation unit 332 is shown as a blood filter 1500, as illustrated in FIGURES 15 and 16, where FIGURE 15 is a side view of one embodiment of a filter, and FIGURE 16 is an exploded perspective view of the filter.

[0183] As shown in the embodiment of FIGURE 15, filter 1500 that includes a housing 1501 with an inlet 1503, a first outlet 1505 and a second outlet 1507. Housing 1501 contains a membrane 1509 that divides the internal volume of housing 1501 into a first volume 1502 that include inlet 1503 and first outlet 1505 and a second volume 1504. FIGURE 16 shows one embodiment of filter 1500 as including a first plate 1511 having inlet 1503 and outlet 1505, a first spacer 1513 having an opening forming first volume 1502, a second spacer 1515 having an opening forming second volume 1504, and a second plate 1517 having outlet 1507.

[0184] Filter 1500 provides for a continuous filtering of blood plasma from whole blood. Thus, for example, when a flow of whole blood is provided at inlet 1503 and a slight vacuum is applied to the second volume 1504 side of membrane 1509, the membrane filters blood cells and blood plasma passes through second outlet 1507. Preferably, there is transverse blood flow across the surface of membrane 1509 to prevent blood cells from clogging filter 1500. Accordingly, in one embodiment of the inlet 1503 and first outlet 1505 may be configured to provide the transverse flow across membrane 1509.

[0185] In one embodiment, membrane 1509 is a thin and strong polymer film. For example, the membrane filter may be a 10 micron thick polyester or polycarbonate film. Preferably, the membrane filter has a smooth glass-like surface, and the holes are uniform, precisely sized, and clearly defined. The material of the film may be chemically inert and have low protein binding characteristics.

[0186] One way to manufacture membrane 1509 is with a Track Etching process. Preferably, the “raw” film is exposed to charged particles in a nuclear reactor, which leaves “tracks” in the film. The tracks may then be etched through the film, which results in holes that are precisely sized and uniformly cylindrical. For example, GE Osmonics, Inc. (4636 Somerton Rd. Trevese, PA 19053-6783) utilizes a similar process to manufacture a material that adequately serves as the membrane filter. The surface the membrane filter depicted above is a GE Osmonics Polycarbonate TE film.

[0187] As one example of the use of filter 1500, the plasma from 3 cc of blood may be extracted using a polycarbonate track etch film (“PCTE”) as the membrane filter. The PCTE may have a pore size of 2 μm and an effective area of 170 millimeter². Preferably, the tubing connected to the supply, exhaust and plasma ports has an internal diameter of 1 millimeter. In one embodiment of a method employed with this configuration, 100 μl of plasma can be initially extracted from the blood. After saline is used to rinse the supply side of the cell, another 100 μl of clear plasma can be extracted. The rate of plasma extraction in this method and configuration can be about 15-25 $\mu\text{l}/\text{min}$.

[0188] Using a continuous flow mechanism to extract plasma may provide several benefits. In one preferred embodiment, the continuous flow mechanism is reusable with multiple samples, and there is negligible sample carryover to contaminate subsequent samples. One embodiment may also eliminate most situations in which plugging may occur. Additionally, a preferred configuration provides for a low internal volume.

[0189] Additional information on filters, methods of use thereof, and related technologies may be found in U.S. Patent Application Publication No. 2005/0038357, published on February 17, 2005, titled SAMPLE ELEMENT WITH BARRIER MATERIAL; and U.S. Patent Application No. 11/122,794, filed on May 5, 2005, titled SAMPLE ELEMENT WITH SEPARATOR. The entire contents of the above noted publication and patent application are hereby incorporated by reference herein and made a part of this specification.

SECTION IV.B – ANALYTE DETECTION SYSTEM

[0190] One embodiment of analyte detection system 334, which is not meant to limit the scope of the present invention, is shown in FIGURE 17 as an optical analyte

detection system 1700. Analyte detection system 1700 is adapted to measure spectra of blood plasma. The blood plasma provided to analyte detection system 334 may be provided by sample preparation unit 332, including but not limited to a filter 1500.

[0191] Analyte detection system 1700 comprises an energy source 1720 disposed along a major axis X of system 1700. When activated, the energy source 1720 generates an energy beam E which advances from the energy source 1720 along the major axis X. In one embodiment, the energy source 1720 comprises an infrared source and the energy beam E comprises an infrared energy beam.

[0192] The energy beam E passes through an optical filter 1725 also situated on the major axis X, before reaching a probe region 1710. Probe region 1710 is portion of apparatus 322 in the path of an energized beam E that is adapted to accept a material sample S. In one embodiment, as shown in FIGURE 17, probe region 1710 is adapted to accept a sample element or cuvette 1730, which supports or contains the material sample S. In one embodiment of the present invention, sample element 1730 is a portion of passageway 113, such as a tube or an optical cell. After passing through the sample element 1730 and the sample S, the energy beam E reaches a detector 1745.

[0193] As used herein, "sample element" is a broad term and is used in its ordinary sense and includes, without limitation, structures that have a sample chamber and at least one sample chamber wall, but more generally includes any of a number of structures that can hold, support or contain a material sample and that allow electromagnetic radiation to pass through a sample held, supported or contained thereby; e.g., a cuvette, test strip, etc.

[0194] In one embodiment of the present invention, sample element 1730 forms a disposable portion of cassette 820, and the remaining portions of system 1700 form portions of instrument 810, and probe region 1710 is probe region 1002.

[0195] With further reference to FIGURE 17, the detector 1745 responds to radiation incident thereon by generating an electrical signal and passing the signal to processor 210 for analysis. Based on the signal(s) passed to it by the detector 1745, the processor computes the concentration of the analyte(s) of interest in the sample S, and/or the absorbance/transmittance characteristics of the sample S at one or more wavelengths or wavelength bands employed to analyze the sample. The processor 210 computes the

concentration(s), absorbance(s), transmittance(s), etc. by executing a data processing algorithm or program instructions residing within memory 212 accessible by the processor 210.

[0196] In the embodiment shown in FIGURE 17, the filter 1725 may comprise a varying-passband filter, to facilitate changing, over time and/or during a measurement taken with apparatus 322, the wavelength or wavelength band of the energy beam E that may pass the filter 1725 for use in analyzing the sample S. (In various other embodiments, the filter 1725 may be omitted altogether.) Some examples of a varying-passband filter usable with apparatus 322 include, but are not limited to, a filter wheel (discussed in further detail below), an electronically tunable filter, such as those manufactured by Aegis Semiconductor (Woburn, MA), a custom filter using an "Active Thin Films platform," a Fabry-Perot interferometer, such as those manufactured by Scientific Solutions, Inc. (North Chelmsford, MA), a custom liquid crystal Fabry-Perot (LCFP) Tunable Filter, or a tunable monochromator, such as a HORIBA (Jobin Yvon, Inc. (Edison, NJ) H1034 type with 7-10 μm grating, or a custom designed system.

[0197] In one embodiment detection system 1700, filter 1725 comprises a varying-passband filter, to facilitate changing, over time and/or during a measurement taken with the detection system 1700, the wavelength or wavelength band of the energy beam E that may pass the filter 25 for use in analyzing the sample S. When the energy beam E is filtered with a varying-passband filter, the absorption/transmittance characteristics of the sample S can be analyzed at a number of wavelengths or wavelength bands in a separate, sequential manner. As an example, assume that it is desired to analyze the sample S at N separate wavelengths (Wavelength 1 through Wavelength N). The varying-passband filter is first operated or tuned to permit the energy beam E to pass at Wavelength 1, while substantially blocking the beam E at most or all other wavelengths to which the detector 1745 is sensitive (including Wavelengths 2-N). The absorption/transmittance properties of the sample S are then measured at Wavelength 1, based on the beam E that passes through the sample S and reaches the detector 1745. The varying-passband filter is then operated or tuned to permit the energy beam E to pass at Wavelength 2, while substantially blocking other wavelengths as discussed above; the sample S is then analyzed at Wavelength 2 as was done

at Wavelength 1. This process is repeated until all of the wavelengths of interest have been employed to analyze the sample **S**. The collected absorption/transmittance data can then be analyzed by the processor **210** to determine the concentration of the analyte(s) of interest in the material sample **S**. The measured spectra of sample **S** is referred to herein in general as $C_s(\lambda_i)$, that is, a wavelength dependent spectra in which C_s is, for example, a transmittance, an absorbance, an optical density, or some other measure of the optical properties of sample **S** having values at or about a number of wavelengths λ_i , where i ranges over the number of measurements taken. The measurement $C_s(\lambda_i)$ is a linear array of measurements that is alternatively written as C_{s_i} .

[0198] The spectral region of system **1700** depends on the analysis technique and the analyte and mixtures of interest. For example, one useful spectral region for the measurement of glucose in blood using absorption spectroscopy is the mid-IR (for example, about 4 microns to about 11 microns). In one embodiment system **1700**, energy source **1720** produces a beam **E** having an output in the range of about 4 microns to about 11 microns. Although water is the main contributor to the total absorption across this spectral region, the peaks and other structures present in the blood spectrum from about 6.8 microns to 10.5 microns are due to the absorption spectra of other blood components. The 4 to 11 micron region has been found advantageous because glucose has a strong absorption peak structure from about 8.5 to 10 microns, whereas most other blood constituents have a low and flat absorption spectrum in the 8.5 to 10 micron range. The main exceptions are water and hemoglobin, both of which are interferents in this region.

[0199] The amount of spectral detail provided by system **1700** depends on the analysis technique and the analyte and mixture of interest. For example, the measurement of glucose in blood by mid-IR absorption spectroscopy is accomplished with from 11 to 25 filters within a spectral region. In one embodiment system **1700**, energy source **1720** produces a beam **E** having an output in the range of about 4 microns to about 11 microns, and filter **1725** include a number of narrow band filters within this range, each allowing only energy of a certain wavelength or wavelength band to pass therethrough. Thus, for example, one embodiment filter **1725** includes a filter wheel having 11 filters with a nominal

wavelength approximately equal to one of the following: 3 μm , 4.06 μm , 4.6 μm , 4.9 μm , 5.25 μm , 6.12 μm , 6.47 μm , 7.98 μm , 8.35 μm , 9.65 μm , and 12.2 μm .

[0200] In one embodiment, individual infrared filters of the filter wheel are multi-cavity, narrow band dielectric stacks on germanium or sapphire substrates, manufactured by either OCLI (JDS Uniphase, San Jose, CA) or Spectrogon US, Inc. (Parsippany, NJ). Thus, for example, each filter may nominally be 1 millimeter thick and 10 millimeter square. The peak transmission of the filter stack is typically between 50% and 70%, and the bandwidths are typically between 150 nm and 350 nm with center wavelengths between 4 and 10 μm . Alternatively, a second blocking IR filter is also provided in front of the individual filters. The temperature sensitivity is preferably <0.01% per degree C to assist in maintaining nearly constant measurements over environmental conditions.

[0201] In one embodiment, the detection system 1700 computes an analyte concentration reading by first measuring the electromagnetic radiation detected by the detector 1745 at each center wavelength, or wavelength band, without the sample element 1730 present on the major axis X (this is known as an "air" reading). Second, the system 1700 measures the electromagnetic radiation detected by the detector 1745 for each center wavelength, or wavelength band, with the material sample S present in the sample element 1730, and the sample element and sample S in position on the major axis X (i.e., a "wet" reading). Finally, the processor 210 computes the concentration(s), absorbance(s) and/or transmittances relating to the sample S based on these compiled readings.

[0202] In one embodiment, the plurality of air and wet readings are used to generate a pathlength corrected spectrum as follows. First, the measurements are normalized to give the transmission of the sample at each wavelength. Using both a signal and reference measurement at each wavelength, and letting S_i represent the signal of detector 1745 at wavelength i and R_i represent the signal of the detector at wavelength i , the transmittance, T_i at wavelength i may be computed as $T_i = S_i(\text{wet}) / S_i(\text{air})$. Optionally, the spectra may be calculated as the optical density, OD_i , as $-\text{Log}(T_i)$. Next, the transmission over the wavelength range of approximately 4.5 μm to approximately 5.5 μm is analyzed to determine the pathlength. Specifically, since water is the primary absorbing species of blood over this wavelength region, and since the optical density is the product of the optical pathlength and

the known absorption coefficient of water ($OD = L \sigma$, where L is the optical pathlength and σ is the absorption coefficient), any one of a number of standard curve fitting procedures may be used to determine the optical pathlength, L from the measured OD . The pathlength may then be used to determine the absorption coefficient of the sample at each wavelength. Alternatively, the optical pathlength may be used in further calculations to convert absorption coefficients to optical density.

[0203] Blood samples may be prepared and analyzed by system **1700** in a variety of configurations. In one embodiment, sample **S** is obtained by drawing blood, either using a syringe or as part of a blood flow system, and transferring the blood into sample chamber **903**. In another embodiment, sample **S** is drawn into a sample container that is a sample chamber **903** adapted for insertion into system **1700**.

[0204] FIGURE 44 depicts another embodiment of the analyte detection system **1700**, which may be generally similar to the embodiment illustrated in FIGURE 17, except as further detailed below. Where possible, similar elements are identified with identical reference numerals in the depiction of the embodiments of FIGURES 17 and 44.

[0205] The detection system **1700** shown in FIGURE 44 includes a collimator **30** located between source **1720** and filter **1725** and a beam sampling optics **90** between the filter and sample element **1730**. Filter **1725** includes a primary filter **40** and a filter wheel assembly **4420** which can insert one of a plurality of optical filters into energy beam **E**. System **1700** also includes a sample detector **150** may be generally similar to sample detector **1725**, except as further detailed below.

[0206] As shown in FIGURE 44, energy beam **E** from source **1720** passes through collimator **30** through which the before reaching a primary optical filter **40** which is disposed downstream of a wide end **36** of the collimator **30**. Filter **1725** is aligned with the source **1720** and collimator **30** on the major axis **X** and is preferably configured to operate as a broadband filter, allowing only a selected band, e.g. between about 2.5 μm and about 12.5 μm , of wavelengths emitted by the source **1720** to pass therethrough, as discussed below. In one embodiment, the energy source **1720** comprises an infrared source and the energy beam **E** comprises an infrared energy beam. One suitable energy source **1720** is the TOMA TECHTM IR-50 available from HawkEye Technologies of Milford, Connecticut.

[0207] With further reference to FIGURE 44, primary filter 40 is mounted in a mask 44 so that only those portions of the energy beam E which are incident on the primary filter 40 can pass the plane of the mask-primary filter assembly. The primary filter 40 is generally centered on and oriented orthogonal to the major axis X and is preferably circular (in a plane orthogonal to the major axis X) with a diameter of about 8 mm. Of course, any other suitable size or shape may be employed. As discussed above, the primary filter 40 preferably operates as a broadband filter. In the illustrated embodiment, the primary filter 40 preferably allows only energy wavelengths between about 4 μm and about 11 μm to pass therethrough. However, other ranges of wavelengths can be selected. The primary filter 40 advantageously reduces the filtering burden of secondary optical filter(s) 60 disposed downstream of the primary filter 40 and improves the rejection of electromagnetic radiation having a wavelength outside of the desired wavelength band. Additionally, the primary filter 40 can help minimize the heating of the secondary filter(s) 60 by the energy beam E passing therethrough. Despite these advantages, the primary filter 40 and/or mask 44 may be omitted in alternative embodiments of the system 1700 shown in FIGURE 44.

[0208] The primary filter 40 is preferably configured to substantially maintain its operating characteristics (center wavelength, passband width) where some or all of the energy beam E deviates from normal incidence by a cone angle of up to about twelve degrees relative to the major axis X. In further embodiments, this cone angle may be up to about 15 to 35 degrees, or from about 15 degrees or 20 degrees. The primary filter 40 may be said to "substantially maintain" its operating characteristics where any changes therein are insufficient to affect the performance or operation of the detection system 1700 in a manner that would raise significant concerns for the user(s) of the system in the context in which the system 1700 is employed.

[0209] In the embodiment illustrated in FIGURE 44, filter wheel assembly 4420 includes an optical filter wheel 50 and a stepper motor 70 connected to the filter wheel and configured to generate a force to rotate the filter wheel 50. Additionally, a position sensor 80 is disposed over a portion of the circumference of the filter wheel 50 and may be configured to detect the angular position of the filter wheel 50 and to generate a corresponding filter wheel position signal, thereby indicating which filter is in position on the major axis X.

Alternatively, the stepper motor 70 may be configured to track or count its own rotation(s), thereby tracking the angular position of the filter wheel, and pass a corresponding position signal to the processor 210. Two suitable position sensors are models EE-SPX302-W2A and EE-SPX402-W2A available from Omron Corporation of Kyoto, Japan.

[0210] Optical filter wheel 50 is employed as a varying-passband filter, to selectively position the secondary filter(s) 60 on the major axis X and/or in the energy beam E. The filter wheel 50 can therefore selectively tune the wavelength(s) of the energy beam E downstream of the wheel 50. These wavelength(s) vary according to the characteristics of the secondary filter(s) 60 mounted in the filter wheel 50. The filter wheel 50 positions the secondary filter(s) 60 in the energy beam E in a "one-at-a-time" fashion to sequentially vary, as discussed above, the wavelengths or wavelength bands employed to analyze the material sample S. An alternative to filter wheel 50 is a linear filter translated by a motor (not shown). The linear filter may be, for example, a linear array of separate filters or a single filter with filter properties that change in a linear dimension.

[0211] In alternative arrangements, the single primary filter 40 depicted in FIGURE 44 may be replaced or supplemented with additional primary filters mounted on the filter wheel 50 upstream of each of the secondary filters 60. As yet another alternative, the primary filter 40 could be implemented as a primary filter wheel (not shown) to position different primary filters on the major axis X at different times during operation of the detection system 1700, or as a tunable filter.

[0212] The filter wheel 50, in the embodiment depicted in FIGURE 45, can comprise a wheel body 52 and a plurality of secondary filters 60 disposed on the body 52, the center of each filter being equidistant from a rotational center RC of the wheel body. The filter wheel 50 is configured to rotate about an axis which is (i) parallel to the major axis X and (ii) spaced from the major axis X by an orthogonal distance approximately equal to the distance between the rotational center RC and any of the center(s) of the secondary filter(s) 60. Under this arrangement, rotation of the wheel body 52 advances each of the filters sequentially through the major axis X, so as to act upon the energy beam E. However, depending on the analyte(s) of interest or desired measurement speed, only a subset of the

filters on the wheel **50** may be employed in a given measurement run. A home position notch **54** may be provided to indicate the home position of the wheel **50** to a position sensor **80**.

[0213] In one embodiment, the wheel body **52** can be formed from molded plastic, with each of the secondary filters **60** having, for example a thickness of 1 mm and a 10 mm x 10 mm or a 5 mm x 5 mm square configuration. Each of the filters **60**, in this embodiment of the wheel body, is axially aligned with a circular aperture of 4 mm diameter, and the aperture centers define a circle of about 1.70 inches diameter, which circle is concentric with the wheel body **52**. The body **52** itself is circular, with an outside diameter of 2.00 inches.

[0214] Each of the secondary filter(s) **60** is preferably configured to operate as a narrow band filter, allowing only a selected energy wavelength or wavelength band (i.e., a filtered energy beam (Ef) to pass therethrough. As the filter wheel **50** rotates about its rotational center RC, each of the secondary filter(s) **60** is, in turn, disposed along the major axis X for a selected dwell time corresponding to each of the secondary filter(s) **60**.

[0215] The "dwell time" for a given secondary filter **60** is the time interval, in an individual measurement run of the system **1700**, during which both of the following conditions are true: (i) the filter is disposed on the major axis X; and (ii) the source **1720** is energized. The dwell time for a given filter may be greater than or equal to the time during which the filter is disposed on the major axis X during an individual measurement run. In one embodiment of the analyte detection system **1700**, the dwell time corresponding to each of the secondary filter(s) **60** is less than about 1 second. However, the secondary filter(s) **60** can have other dwell times, and each of the filter(s) **60** may have a different dwell time during a given measurement run.

[0216] From the secondary filter **60**, the filtered energy beam (Ef) passes through a beam sampling optics **90**, which includes a beam splitter **4400** disposed along the major axis X and having a face **4400a** disposed at an included angle θ relative to the major axis X. The splitter **4400** preferably separates the filtered energy beam (Ef) into a sample beam (Es) and a reference beam (Er).

[0217] With further reference to FIGURE 44, the sample beam (Es) passes next through a first lens **4410** aligned with the splitter **4400** along the major axis X. The first lens

4410 is configured to focus the sample beam (Es) generally along the axis X onto the material sample S. The sample S is preferably disposed in a sample element **1730** between a first window **122** and a second window **124** of the sample element **1730**. The sample element **1730** is further preferably removably disposed in a holder **4430**, and the holder **4430** has a first opening **132** and a second opening **134** configured for alignment with the first window **122** and second window **124**, respectively. Alternatively, the sample element **1730** and sample S may be disposed on the major axis X without use of the holder **4430**.

[0218] At least a fraction of the sample beam (Es) is transmitted through the sample S and continues onto a second lens **4440** disposed along the major axis X. The second lens **4440** is configured to focus the sample beam (Es) onto a sample detector **150**, thus increasing the flux density of the sample beam (Es) incident upon the sample detector **150**. The sample detector **150** is configured to generate a signal corresponding to the detected sample beam (Es) and to pass the signal to a processor **210**, as discussed in more detail below.

[0219] Beam sampling optics **90** further includes a third lens **160** and a reference detector **170**. The reference beam (Er) is directed by beam sampling optics **90** from the beam splitter **4400** to a third lens **160** disposed along a minor axis Y generally orthogonal to the major axis X. The third lens **160** is configured to focus the reference beam (Er) onto reference detector **170**, thus increasing the flux density of the reference beam (Er) incident upon the reference detector **170**. In one embodiment, the lenses **4410**, **4440**, **160** may be formed from a material which is highly transmissive of infrared radiation, for example germanium or silicon. In addition, any of the lenses **4410**, **4440** and **160** may be implemented as a system of lenses, depending on the desired optical performance. The reference detector **170** is also configured to generate a signal corresponding to the detected reference beam (Er) and to pass the signal to the processor **210**, as discussed in more detail below. Except as noted below, the sample and reference detectors **150**, **170** may be generally similar to the detector **1745** illustrated in FIGURE 17. Based on signals received from the sample and reference detectors **150**, **170**, the processor **210** computes the concentration(s), absorbance(s), transmittance(s), etc. relating to the sample S by executing a data processing algorithm or program instructions residing within the memory **212** accessible by the processor **210**.

[0220] In further variations of the detection system 1700 depicted in FIGURE 44, beam sampling optics 90, including the beam splitter 4400, reference detector 170 and other structures on the minor axis Y may be omitted, especially where the output intensity of the source 1720 is sufficiently stable to obviate any need to reference the source intensity in operation of the detection system 1700. Thus, for example, sufficient signals may be generated by detectors 170 and 150 with one or more of lenses 4410, 4440, 160 omitted. Furthermore, in any of the embodiments of the analyte detection system 1700 disclosed herein, the processor 210 and/or memory 212 may reside partially or wholly in a standard personal computer ("PC") coupled to the detection system 1700.

[0221] FIGURE 46 depicts a partial cross-sectional view of another embodiment of an analyte detection system 1700, which may be generally similar to any of the embodiments illustrated in FIGURES 17, 44, and 45, except as further detailed below. Where possible, similar elements are identified with identical reference numerals in the depiction of the embodiments of FIGURES 17, 44, and 45.

[0222] The energy source 1720 of the embodiment of FIGURE 46 preferably comprises an emitter area 22 which is substantially centered on the major axis X. In one embodiment, the emitter area 22 may be square in shape. However the emitter area 22 can have other suitable shapes, such as rectangular, circular, elliptical, etc. One suitable emitter area 22 is a square of about 1.5 mm on a side; of course, any other suitable shape or dimensions may be employed.

[0223] The energy source 1720 is preferably configured to selectably operate at a modulation frequency between about 1 Hz and 30 Hz and have a peak operating temperature of between about 1070 degrees Kelvin and 1170 degrees Kelvin. Additionally, the source 1720 preferably operates with a modulation depth greater than about 80% at all modulation frequencies. The energy source 1720 preferably emits electromagnetic radiation in any of a number of spectral ranges, e.g., within infrared wavelengths; in the mid-infrared wavelengths; above about 0.8 μm ; between about 5.0 μm and about 20.0 μm ; and/or between about 5.25 μm and about 12.0 μm . However, in other embodiments, the detection system 1700 may employ an energy source 1720 which is unmodulated and/or which emits in wavelengths found anywhere from the visible spectrum through the microwave spectrum, for

example anywhere from about 0.4 μm to greater than about 100 μm . In still other embodiments, the energy source **1720** can emit electromagnetic radiation in wavelengths between about 3.5 μm and about 14 μm , or between about 0.8 μm and about 2.5 μm , or between about 2.5 μm and 20 μm , or between about 20 μm and about 100 μm , or between about 6.85 μm and about 10.10 μm . In yet other embodiments, the energy source **1720** can emit electromagnetic radiation within the radio frequency (RF) range or the terahertz range. All of the above-recited operating characteristics are merely exemplary, and the source **1720** may have any operating characteristics suitable for use with the analyte detection system **1700**.

[0224] A power supply (not shown) for the energy source **1720** is preferably configured to selectably operate with a duty cycle of between about 30% and about 70%. Additionally, the power supply is preferably configured to selectably operate at a modulation frequency of about 10Hz, or between about 1 Hz and about 30 Hz. The operation of the power supply can be in the form of a square wave, a sine wave, or any other waveform defined by a user.

[0225] With further reference to FIGURE 46, the collimator **30** comprises a tube **30a** with one or more highly-reflective inner surfaces **32** which diverge from a relatively narrow upstream end **34** to a relatively wide downstream end **36** as they extend downstream, away from the energy source **1720**. The narrow end **34** defines an upstream aperture **34a** which is situated adjacent the emitter area **22** and permits radiation generated by the emitter area to propagate downstream into the collimator. The wide end **36** defines a downstream aperture **36a**. Like the emitter area **22**, each of the inner surface(s) **32**, upstream aperture **34a** and downstream aperture **36a** is preferably substantially centered on the major axis X.

[0226] As illustrated in FIGURE 46, the inner surface(s) **32** of the collimator may have a generally curved shape, such as a parabolic, hyperbolic, elliptical or spherical shape. One suitable collimator **30** is a compound parabolic concentrator (CPC). In one embodiment, the collimator **30** can be up to about 20 mm in length. In another embodiment, the collimator **30** can be up to about 30 mm in length. However, the collimator **30** can have any length, and the inner surface(s) **32** may have any shape, suitable for use with the analyte detection system **1700**.

[0227] The inner surfaces **32** of the collimator **30** cause the rays making up the energy beam E to straighten (i.e., propagate at angles increasingly parallel to the major axis X) as the beam E advances downstream, so that the energy beam E becomes increasingly or substantially cylindrical and oriented substantially parallel to the major axis X. Accordingly, the inner surfaces **32** are highly reflective and minimally absorptive in the wavelengths of interest, such as infrared wavelengths.

[0228] The tube **30a** itself may be fabricated from a rigid material such as aluminum, steel, or any other suitable material, as long as the inner surfaces **32** are coated or otherwise treated to be highly reflective in the wavelengths of interest. For example, a polished gold coating may be employed. Preferably, the inner surface(s) **32** of the collimator **30** define a circular cross-section when viewed orthogonal to the major axis X; however, other cross-sectional shapes, such as a square or other polygonal shapes, parabolic or elliptical shapes may be employed in alternative embodiments.

[0229] As noted above, the filter wheel **50** shown in FIGURE 46 comprises a plurality of secondary filters **60** which preferably operate as narrow band filters, each filter allowing only energy of a certain wavelength or wavelength band to pass therethrough. In one configuration suitable for detection of glucose in a sample S, the filter wheel **50** comprises twenty or twenty-two secondary filters **60**, each of which is configured to allow a filtered energy beam (Ef) to travel therethrough with a nominal wavelength approximately equal to one of the following: 3 μm , 4.06 μm , 4.6 μm , 4.9 μm , 5.25 μm , 6.12 μm , 6.47 μm , 7.98 μm , 8.35 μm , 9.65 μm , and 12.2 μm . (Moreover, this set of wavelengths may be employed with or in any of the embodiments of the analyte detection system **1700** disclosed herein.) Each secondary filter's **60** center wavelength is preferably equal to the desired nominal wavelength plus or minus about 2%. Additionally, the secondary filters **60** are preferably configured to have a bandwidth of about 0.2 μm , or alternatively equal to the nominal wavelength plus or minus about 2%-10%.

[0230] In another embodiment, the filter wheel **50** comprises twenty secondary filters **60**, each of which is configured to allow a filtered energy beam (Ef) to travel therethrough with a nominal center wavelengths of: 4.275 μm , 4.5 μm , 4.7 μm , 5.0 μm , 5.3 μm , 6.056 μm , 7.15 μm , 7.3 μm , 7.55 μm , 7.67 μm , 8.06 μm , 8.4 μm , 8.56 μm , 8.87 μm ,

9.15 μm , 9.27 μm , 9.48 μm , 9.68 μm , 9.82 μm , and 10.06 μm . (This set of wavelengths may also be employed with or in any of the embodiments of the analyte detection system 1700 disclosed herein.) In still another embodiment, the secondary filters 60 may conform to any one or combination of the following specifications: center wavelength tolerance of ± 0.01 μm ; half-power bandwidth tolerance of ± 0.01 μm ; peak transmission greater than or equal to 75%; cut-on/cut-off slope less than 2%; center-wavelength temperature coefficient less than .01% per degree Celsius; out of band attenuation greater than OD 5 from 3 μm to 12 μm ; flatness less than 1.0 waves at 0.6328 μm ; surface quality of E-E per Mil-F-48616; and overall thickness of about 1 mm.

[0231] In still another embodiment, the secondary filters mentioned above may conform to any one or combination of the following half-power bandwidth (“HPBW”) specifications:

Center Wavelength (μm)	HPBW (μm)	Center Wavelength (μm)	HPBW (μm)
4.275	0.05	8.06	0.3
4.5	0.18	8.4	0.2
4.7	0.13	8.56	0.18
5.0	0.1	8.87	0.2
5.3	0.13	9.15	0.15
6.056	0.135	9.27	0.14
7.15	0.19	9.48	0.23
7.3	0.19	9.68	0.3
7.55	0.18	9.82	0.34
7.67	0.197	10.06	0.2

[0232] In still further embodiments, the secondary filters may have a center wavelength tolerance of ± 0.5 % and a half-power bandwidth tolerance of ± 0.02 μm .

[0233] Of course, the number of secondary filters employed, and the center wavelengths and other characteristics thereof, may vary in further embodiments of the system 1700, whether such further embodiments are employed to detect glucose, or other analytes instead of or in addition to glucose. For example, in another embodiment, the filter wheel 50 can have fewer than fifty secondary filters 60. In still another embodiment, the filter wheel 50

can have fewer than twenty secondary filters **60**. In yet another embodiment, the filter wheel **50** can have fewer than ten secondary filters **60**.

[0234] In one embodiment, the secondary filters **60** each measure about 10 mm long by 10 mm wide in a plane orthogonal to the major axis X, with a thickness of about 1 mm. However, the secondary filters **60** can have any other (e.g., smaller) dimensions suitable for operation of the analyte detection system **1700**. Additionally, the secondary filters **60** are preferably configured to operate at a temperature of between about 5 °C and about 35 °C and to allow transmission of more than about 75% of the energy beam E therethrough in the wavelength(s) which the filter is configured to pass.

[0235] According to the embodiment illustrated in FIGURE 46, the primary filter **40** operates as a broadband filter and the secondary filters **60** disposed on the filter wheel **50** operate as narrow band filters. However, one of ordinary skill in the art will realize that other structures can be used to filter energy wavelengths according to the embodiments described herein. For example, the primary filter **40** may be omitted and/or an electronically tunable filter or Fabry-Perot interferometer (not shown) can be used in place of the filter wheel **50** and secondary filters **60**. Such a tunable filter or interferometer can be configured to permit, in a sequential, "one-at-a-time" fashion, each of a set of wavelengths or wavelength bands of electromagnetic radiation to pass therethrough for use in analyzing the material sample S.

[0236] A reflector tube **98** is preferably positioned to receive the filtered energy beam (Ef) as it advances from the secondary filter(s) **60**. The reflector tube **98** is preferably secured with respect to the secondary filter(s) **60** to substantially prevent introduction of stray electromagnetic radiation, such as stray light, into the reflector tube **98** from outside of the detection system **1700**. The inner surfaces of the reflector tube **98** are highly reflective in the relevant wavelengths and preferably have a cylindrical shape with a generally circular cross-section orthogonal to the major and/or minor axis X, Y. However, the inner surface of the tube **98** can have a cross-section of any suitable shape, such as oval, square, rectangular, etc. Like the collimator **30**, the reflector tube **98** may be formed from a rigid material such as aluminum, steel, etc., as long as the inner surfaces are coated or otherwise treated to be highly reflective in the wavelengths of interest. For example, a polished gold coating may be employed.

[0237] According to the embodiment illustrated in FIGURE 46, the reflector tube 98 preferably comprises a major section 98a and a minor section 98b. As depicted, the reflector tube 98 can be T-shaped with the major section 98a having a greater length than the minor section 98b. In another example, the major section 98a and the minor section 98b can have the same length. The major section 98a extends between a first end 98c and a second end 98d along the major axis X. The minor section 98b extends between the major section 98a and a third end 98e along the minor axis Y.

[0238] The major section 98a conducts the filtered energy beam (Ef) from the first end 98c to the beam splitter 4400, which is housed in the major section 98a at the intersection of the major and minor axes X, Y. The major section 98a also conducts the sample beam (Es) from the beam splitter 4400, through the first lens 4410 and to the second end 98d. From the second end 98d the sample beam (Es) proceeds through the sample element 1730, holder 4430 and second lens 4440, and to the sample detector 150. Similarly, the minor section 98b conducts the reference beam (Er) through beam sampling optics 90 from the beam splitter 4400, through the third lens 160 and to the third end 98e. From the third end 98e the reference beam (Er) proceeds to the reference detector 170.

[0239] The sample beam (Es) preferably comprises from about 75% to about 85% of the energy of the filtered energy beam (Ef). More preferably, the sample beam (Es) comprises about 80% of the energy of the filtered energy beam (Es). The reference beam (Er) preferably comprises from about 10% and about 50% of the energy of the filtered energy beam (Es). More preferably, the reference beam (Er) comprises about 20% of the energy of the filtered energy beam (Ef). Of course, the sample and reference beams may take on any suitable proportions of the energy beam E.

[0240] The reflector tube 98 also houses the first lens 4410 and the third lens 160. As illustrated in FIGURE 46, the reflector tube 98 houses the first lens 4410 between the beam splitter 4400 and the second end 98d. The first lens 4410 is preferably disposed so that a plane 4612 of the lens 4410 is generally orthogonal to the major axis X. Similarly, the tube 98 houses the third lens 160 between the beam splitter 4400 and the third end 98e. The third lens 160 is preferably disposed so that a plane 162 of the third lens 160 is generally orthogonal to the minor axis Y. The first lens 4410 and the third lens 160 each has a focal

length configured to substantially focus the sample beam (Es) and reference beam (Er), respectively, as the beams (Es, Er) pass through the lenses 4410, 160. In particular, the first lens 4410 is configured, and disposed relative to the holder 4430, to focus the sample beam (Es) so that substantially the entire sample beam (Es) passes through the material sample S, residing in the sample element 1730. Likewise, the third lens 160 is configured to focus the reference beam (Er) so that substantially the entire reference beam (Er) impinges onto the reference detector 170.

[0241] The sample element 1730 is retained within the holder 4430, which is preferably oriented along a plane generally orthogonal to the major axis X. The holder 4430 is configured to be slidably displaced between a loading position and a measurement position within the analyte detection system 1700. In the measurement position, the holder 4430 contacts a stop edge 136 which is located to orient the sample element 1730 and the sample S contained therein on the major axis X.

[0242] The structural details of the holder 4430 depicted in FIGURE 46 are unimportant, so long as the holder positions the sample element 1730 and sample S on and substantially orthogonal to the major axis X, while permitting the energy beam E to pass through the sample element and sample. As with the embodiment depicted in FIGURE 44, the holder 4430 may be omitted and the sample element 1730 positioned alone in the depicted location on the major axis X. However, the holder 4430 is useful where the sample element 1730 (discussed in further detail below) is constructed from a highly brittle or fragile material, such as barium fluoride, or is manufactured to be extremely thin.

[0243] As with the embodiment depicted in FIGURE 44, the sample and reference detectors 150, 170 shown in FIGURE 46 respond to radiation incident thereon by generating signals and passing them to the processor 210. Based these signals received from the sample and reference detectors 150, 170, the processor 210 computes the concentration(s), absorbance(s), transmittance(s), etc. relating to the sample S by executing a data processing algorithm or program instructions residing within the memory 212 accessible by the processor 210. In further variations of the detection system 1700 depicted in FIGURE 46, the beam splitter 4400, reference detector 170 and other structures on the minor axis Y may be omitted, especially where the output intensity of the source 1720 is sufficiently stable

to obviate any need to reference the source intensity in operation of the detection system 1700.

[0244] FIGURE 47 depicts a sectional view of the sample detector 150 in accordance with one embodiment. Sample detector 150 is mounted in a detector housing 152 having a receiving portion 152a and a cover 152b. However, any suitable structure may be used as the sample detector 150 and housing 152. The receiving portion 152a preferably defines an aperture 152c and a lens chamber 152d, which are generally aligned with the major axis X when the housing 152 is mounted in the analyte detection system 1700. The aperture 152c is configured to allow at least a fraction of the sample beam (Es) passing through the sample S and the sample element 1730 to advance through the aperture 152c and into the lens chamber 152d.

[0245] The receiving portion 152a houses the second lens 4440 in the lens chamber 152d proximal to the aperture 152c. The sample detector 150 is also disposed in the lens chamber 152d downstream of the second lens 4440 such that a detection plane 154 of the detector 150 is substantially orthogonal to the major axis X. The second lens 4440 is positioned such that a plane 142 of the lens 4440 is substantially orthogonal to the major axis X. The second lens 4440 is configured, and is preferably disposed relative to the holder 4430 and the sample detector 150, to focus substantially all of the sample beam (Es) onto the detection plane 154, thereby increasing the flux density of the sample beam (Es) incident upon the detection plane 154.

[0246] With further reference to FIGURE 47, a support member 156 preferably holds the sample detector 150 in place in the receiving portion 152a. In the illustrated embodiment, the support member 156 is a spring 156 disposed between the sample detector 150 and the cover 152b. The spring 156 is configured to maintain the detection plane 154 of the sample detector 150 substantially orthogonal to the major axis X. A gasket 157 is preferably disposed between the cover 152b and the receiving portion 152a and surrounds the support member 156.

[0247] The receiving portion 152a preferably also houses a printed circuit board 158 disposed between the gasket 157 and the sample detector 150. The board 158 connects to the sample detector 150 through at least one connecting member 150a. The sample detector

150 is configured to generate a detection signal corresponding to the sample beam (E_s) incident on the detection plane **154**. The sample detector **150** communicates the detection signal to the circuit board **158** through the connecting member **150a**, and the board **158** transmits the detection signal to the processor **210**.

[0248] In one embodiment, the sample detector **150** comprises a generally cylindrical housing **150a**, e.g. a type TO-39 “metal can” package, which defines a generally circular housing aperture **150b** at its “upstream” end. In one embodiment, the housing **150a** has a diameter of about 0.323 inches and a depth of about 0.248 inches, and the aperture **150b** may have a diameter of about 0.197 inches.

[0249] A detector window **150c** is disposed adjacent the aperture **150b**, with its upstream surface preferably about 0.078 inches (± 0.004 inches) from the detection plane **154**. (The detection plane **154** is located about 0.088 inches (± 0.004 inches) from the upstream edge of the housing **150a**, where the housing has a thickness of about 0.010 inches.) The detector window **150c** is preferably transmissive of infrared energy in at least a 3-12 micron passband; accordingly, one suitable material for the window **150c** is germanium. The endpoints of the passband may be “spread” further to less than 2.5 microns, and/or greater than 12.5 microns, to avoid unnecessary absorbance in the wavelengths of interest. Preferably, the transmittance of the detector window **150c** does not vary by more than 2% across its passband. The window **150c** is preferably about 0.020 inches in thickness. The sample detector **150** preferably substantially retains its operating characteristics across a temperature range of -20 to +60 degrees Celsius.

[0250] FIGURE 48 depicts a sectional view of the reference detector **170** in accordance with one embodiment. The reference detector **170** is mounted in a detector housing **172** having a receiving portion **172a** and a cover **172b**. However, any suitable structure may be used as the sample detector **150** and housing **152**. The receiving portion **172a** preferably defines an aperture **172c** and a chamber **172d** which are generally aligned with the minor axis Y, when the housing **172** is mounted in the analyte detection system **1700**. The aperture **172c** is configured to allow the reference beam (E_r) to advance through the aperture **172c** and into the chamber **172d**.

[0251] The receiving portion 172a houses the reference detector 170 in the chamber 172d proximal to the aperture 172c. The reference detector 170 is disposed in the chamber 172d such that a detection plane 174 of the reference detector 170 is substantially orthogonal to the minor axis Y. The third lens 160 is configured to substantially focus the reference beam (Er) so that substantially the entire reference beam (Er) impinges onto the detection plane 174, thus increasing the flux density of the reference beam (Er) incident upon the detection plane 174.

[0252] With further reference to FIGURE 48, a support member 176 preferably holds the reference detector 170 in place in the receiving portion 172a. In the illustrated embodiment, the support member 176 is a spring 176 disposed between the reference detector 170 and the cover 172b. The spring 176 is configured to maintain the detection plane 174 of the reference detector 170 substantially orthogonal to the minor axis Y. A gasket 177 is preferably disposed between the cover 172b and the receiving portion 172a and surrounds the support member 176.

[0253] The receiving portion 172a preferably also houses a printed circuit board 178 disposed between the gasket 177 and the reference detector 170. The board 178 connects to the reference detector 170 through at least one connecting member 170a. The reference detector 170 is configured to generate a detection signal corresponding to the reference beam (Er) incident on the detection plane 174. The reference detector 170 communicates the detection signal to the circuit board 178 through the connecting member 170a, and the board 178 transmits the detection signal to the processor 210.

[0254] In one embodiment, the construction of the reference detector 170 is generally similar to that described above with regard to the sample detector 150.

[0255] In one embodiment, the sample and reference detectors 150, 170 are both configured to detect electromagnetic radiation in a spectral wavelength range of between about 0.8 μm and about 25 μm . However, any suitable subset of the foregoing set of wavelengths can be selected. In another embodiment, the detectors 150, 170 are configured to detect electromagnetic radiation in the wavelength range of between about 4 μm and about 12 μm . The detection planes 154, 174 of the detectors 150, 170 may each define an active area about 2 mm by 2 mm or from about 1 mm by 1 mm to about 5 mm by 5 mm; of course, any

other suitable dimensions and proportions may be employed. Additionally, the detectors **150**, **170** may be configured to detect electromagnetic radiation directed thereto within a cone angle of about 45 degrees from the major axis X.

[0256] In one embodiment, the sample and reference detector subsystems **150**, **170** may further comprise a system (not shown) for regulating the temperature of the detectors. Such a temperature-regulation system may comprise a suitable electrical heat source, thermistor, and a proportional-plus-integral-plus-derivative (PID) control. These components may be used to regulate the temperature of the detectors **150**, **170** at about 35 °C. The detectors **150**, **170** can also optionally be operated at other desired temperatures. Additionally, the PID control preferably has a control rate of about 60 Hz and, along with the heat source and thermistor, maintains the temperature of the detectors **150**, **170** within about 0.1 °C of the desired temperature.

[0257] The detectors **150**, **170** can operate in either a voltage mode or a current mode, wherein either mode of operation preferably includes the use of a pre-amp module. Suitable voltage mode detectors for use with the analyte detection system **1700** disclosed herein include: models LIE 302 and 312 by InfraTec of Dresden, Germany; model L2002 by BAE Systems of Rockville, Maryland; and model LTS-1 by Dias of Dresden, Germany. Suitable current mode detectors include: InfraTec models LIE 301, 315, 345 and 355; and 2x2 current-mode detectors available from Dias.

[0258] In one embodiment, one or both of the detectors **150**, **170** may meet the following specifications, when assuming an incident radiation intensity of about 9.26×10^{-4} watts (rms) per cm^2 , at 10 Hz modulation and within a cone angle of about 15 degrees: detector area of 0.040 cm^2 (2 mm x 2 mm square); detector input of 3.70×10^{-5} watts (rms) at 10 Hz; detector sensitivity of 360 volts per watt at 10 Hz; detector output of 1.333×10^{-2} volts (rms) at 10 Hz; noise of 8.00×10^{-8} volts/sqrtHz at 10 Hz; and signal-to-noise ratios of 1.67×10^5 rms/sqrtHz and 104.4 dB/sqrtHz; and detectivity of 1.00×10^9 cm sqrtHz/watt.

[0259] In alternative embodiments, the detectors **150**, **170** may comprise microphones and/or other sensors suitable for operation of the detection system **1700** in a photoacoustic mode.

[0260] The components of any of the embodiments of the analyte detection system 1700 may be partially or completely contained in an enclosure or casing (not shown) to prevent stray electromagnetic radiation, such as stray light, from contaminating the energy beam E. Any suitable casing may be used. Similarly, the components of the detection system 1700 may be mounted on any suitable frame or chassis (not shown) to maintain their operative alignment as depicted in FIGURES 17, 44, and 46. The frame and the casing may be formed together as a single unit, member or collection of members.

[0261] In one method of operation, the analyte detection system 1700 shown in FIGURES 44 or 46 measures the concentration of one or more analytes in the material sample S, in part, by comparing the electromagnetic radiation detected by the sample and reference detectors 150, 170. During operation of the detection system 1700, each of the secondary filter(s) 60 is sequentially aligned with the major axis X for a dwell time corresponding to the secondary filter 60. (Of course, where an electronically tunable filter or Fabry-Perot interferometer is used in place of the filter wheel 50, the tunable filter or interferometer is sequentially tuned to each of a set of desired wavelengths or wavelength bands in lieu of the sequential alignment of each of the secondary filters with the major axis X.) The energy source 1720 is then operated at (any) modulation frequency, as discussed above, during the dwell time period. The dwell time may be different for each secondary filter 60 (or each wavelength or band to which the tunable filter or interferometer is tuned). In one embodiment of the detection system 1700, the dwell time for each secondary filter 60 is less than about 1 second. Use of a dwell time specific to each secondary filter 60 advantageously allows the detection system 1700 to operate for a longer period of time at wavelengths where errors can have a greater effect on the computation of the analyte concentration in the material sample S. Correspondingly, the detection system 1700 can operate for a shorter period of time at wavelengths where errors have less effect on the computed analyte concentration. The dwell times may otherwise be nonuniform among the filters/wavelengths/bands employed in the detection system.

[0262] For each secondary filter 60 selectively aligned with the major axis X, the sample detector 150 detects the portion of the sample beam (Es), at the wavelength or wavelength band corresponding to the secondary filter 60, that is transmitted through the

material sample S. The sample detector **150** generates a detection signal corresponding to the detected electromagnetic radiation and passes the signal to the processor **210**. Simultaneously, the reference detector **170** detects the reference beam (E_r) transmitted at the wavelength or wavelength band corresponding to the secondary filter **60**. The reference detector **170** generates a detection signal corresponding to the detected electromagnetic radiation and passes the signal to the processor **210**. Based on the signals passed to it by the detectors **150**, **170**, the processor **210** computes the concentration of the analyte(s) of interest in the sample S, and/or the absorbance/transmittance characteristics of the sample S at one or more wavelengths or wavelength bands employed to analyze the sample. The processor **210** computes the concentration(s), absorbance(s), transmittance(s), etc. by executing a data processing algorithm or program instructions residing within the memory **212** accessible by the processor **210**.

[0263] The signal generated by the reference detector may be used to monitor fluctuations in the intensity of the energy beam emitted by the source **1720**, which fluctuations often arise due to drift effects, aging, wear or other imperfections in the source itself. This enables the processor **210** to identify changes in intensity of the sample beam (E_s) that are attributable to changes in the emission intensity of the source **1720**, and not to the composition of the sample S. By so doing, a potential source of error in computations of concentration, absorbance, etc. is minimized or eliminated.

[0264] In one embodiment, the detection system **1700** computes an analyte concentration reading by first measuring the electromagnetic radiation detected by the detectors **150**, **170** at each center wavelength, or wavelength band, without the sample element **1730** present on the major axis X (this is known as an “air” reading). Second, the system **1700** measures the electromagnetic radiation detected by the detectors **150**, **170** for each center wavelength, or wavelength band, with the material sample S present in the sample element **1730**, and the sample element **1730** and sample S in position on the major axis X (i.e., a “wet” reading). Finally, the processor **180** computes the concentration(s), absorbance(s) and/or transmittances relating to the sample S based on these compiled readings.

[0265] In one embodiment, the plurality of air and wet readings are used to generate a pathlength corrected spectrum as follows. First, the measurements are normalized to give the transmission of the sample at each wavelength. Using both a signal and reference measurement at each wavelength, and letting S_i represent the signal of detector 150 at wavelength i and R_i represent the signal of detector 170 at wavelength i , the transmission, τ_i is computed as $\tau_i = S_i(\text{wet})/R_i(\text{wet}) / S_i(\text{air})/R_i(\text{air})$. Optionally, the spectra may be calculated as the optical density, OD_i , as $-\text{Log}(T_i)$.

[0266] Next, the transmission over the wavelength range of approximately 4.5 μm to approximately 5.5 μm is analyzed to determine the pathlength. Specifically, since water is the primary absorbing species of blood over this wavelength region, and since the optical density is the product of the optical pathlength and the known absorption coefficient of water ($OD = L \sigma$, where L is the optical pathlength and σ is the absorption coefficient), any one of a number of standard curve fitting procedures may be used to determine the optical pathlength, L from the measured OD . The pathlength may then be used to determine the absorption coefficient of the sample at each wavelength. Alternatively, the optical pathlength may be used in further calculations to convert absorption coefficients to optical density.

[0267] Additional information on analyte detection systems, methods of use thereof, and related technologies may be found in the above-mentioned and incorporated U.S. Patent Application Publication No. 2005/0038357, published on February 17, 2005, titled SAMPLE ELEMENT WITH BARRIER MATERIAL.

SECTION IV.C – SAMPLE ELEMENT

[0268] FIGURE 18 is a top view of a sample element 1730, FIGURE 19 is a side view of the sample element, and FIGURE 20 is an exploded perspective view of the sample element. In one embodiment of the present invention, sample element 1730 includes sample chamber 903 that is in fluid communication with and accepts filtered blood from sample preparation unit 332. The sample element 1730 comprises a sample chamber 903 defined by sample chamber walls 1802. The sample chamber 903 is configured to hold a material sample which may be drawn from a patient, for analysis by the detection system with which the sample element 1730 is employed.

[0269] In the embodiment illustrated in FIGURES 18-19, the sample chamber 903 is defined by first and second lateral chamber walls 1802a, 1802b and upper and lower chamber walls 1802c, 1802d; however, any suitable number and configuration of chamber walls may be employed. At least one of the upper and lower chamber walls 1802c, 1802d is formed from a material which is sufficiently transmissive of the wavelength(s) of electromagnetic radiation that are employed by the sample analysis apparatus 322 (or any other system with which the sample element is to be used). A chamber wall which is so transmissive may thus be termed a "window;" in one embodiment, the upper and lower chamber walls 1802c, 1802d comprise first and second windows so as to permit the relevant wavelength(s) of electromagnetic radiation to pass through the sample chamber 903. In another embodiment, only one of the upper and lower chamber walls 1802c, 1802d comprises a window; in such an embodiment, the other of the upper and lower chamber walls may comprise a reflective surface configured to back-reflect any electromagnetic energy emitted into the sample chamber 903 by the analyte detection system with which the sample element 1730 is employed. Accordingly, this embodiment is well suited for use with an analyte detection system in which a source and a detector of electromagnetic energy are located on the same side as the sample element.

[0270] In various embodiments, the material that makes up the window(s) of the sample element 1730 is completely transmissive, i.e., it does not absorb any of the electromagnetic radiation from the source 1720 and filters 1725 that is incident upon it. In another embodiment, the material of the window(s) has some absorption in the electromagnetic range of interest, but its absorption is negligible. In yet another embodiment, the absorption of the material of the window(s) is not negligible, but it is stable for a relatively long period of time. In another embodiment, the absorption of the window(s) is stable for only a relatively short period of time, but sample analysis apparatus 322 is configured to observe the absorption of the material and eliminate it from the analyte measurement before the material properties can change measurably. Materials suitable for forming the window(s) of the sample element 1730 include, but are not limited to, calcium fluoride, barium fluoride, germanium, silicon, polypropylene, polyethylene, or any polymer with suitable transmissivity (i.e., transmittance per unit thickness) in the relevant

wavelength(s). Where the window(s) are formed from a polymer, the selected polymer can be isotactic, atactic or syndiotactic in structure, so as to enhance the flow of the sample between the window(s). One type of polyethylene suitable for constructing the sample element **1730** is type 220, extruded or blow molded, available from KUBE Ltd. of Staefa, Switzerland.

[0271] In one embodiment, the sample element **1730** is configured to allow sufficient transmission of electromagnetic energy having a wavelength of between about 4 μm and about 10.5 μm through the window(s) thereof. However, the sample element **1730** can be configured to allow transmission of wavelengths in any spectral range emitted by the energy source **1720**. In another embodiment, the sample element **1730** is configured to receive an optical power of more than about 1.0 MW/cm² from the sample beam (Es) incident thereon for any electromagnetic radiation wavelength transmitted through the filter **1725**. Preferably, the sample chamber **903** of the sample element **1730** is configured to allow a sample beam (Es) advancing toward the material sample S within a cone angle of 45 degrees from the major axis X (see FIGURE 17) to pass therethrough.

[0272] In the embodiment illustrated in FIGURES 18-19, the sample element further comprises a supply passage **1804** extending from the sample chamber **903** to a supply opening **1806** and a vent passage **1808** extending from the sample chamber **903** to a vent opening **1810**. While the vent and supply openings **1806**, **1810** are shown at one end of the sample element **1730**, in other embodiments the openings may be positioned on other sides of the sample element **1730**, so long as it is in fluid communication with the passages **1804** and **1808**, respectively.

[0273] In operation, the supply opening **1806** of the sample element **1730** is placed in contact with the material sample S, such as a fluid flowing from a patient. The fluid is then transported through the sample supply passage **1804** and into the sample chamber **903** via an external pump or by capillary action.

[0274] Where the upper and lower chamber walls **1802c**, **1802d** comprise windows, the distance T (measured along an axis substantially orthogonal to the sample chamber **903** and/or windows **1802a**, **1802b**, or, alternatively, measured along an axis of an energy beam (such as but not limited to the energy beam E discussed above) passed through the sample chamber **903**) between them comprises an optical pathlength. In various

embodiments, the pathlength is between about 1 μm and about 300 μm , between about 1 μm and about 100 μm , between about 25 μm and about 40 μm , between about 10 μm and about 40 μm , between about 25 μm and about 60 μm , or between about 30 μm and about 50 μm . In still other embodiments, the optical pathlength is about 50 μm , or about 25 μm . In some instances, it is desirable to hold the pathlength T to within about plus or minus 1 μm from any pathlength specified by the analyte detection system with which the sample element **1730** is to be employed. Likewise, it may be desirable to orient the walls **1802c**, **1802d** with respect to each other within plus or minus 1 μm of parallel, and/or to maintain each of the walls **1802c**, **1802d** to within plus or minus 1 μm of planar (flat), depending on the analyte detection system with which the sample element **1730** is to be used. In alternative embodiments, walls **1802c**, **1802d** are flat, textured, angled, or some combination thereof.

[0275] In one embodiment, the transverse size of the sample chamber **903** (i.e., the size defined by the lateral chamber walls **1802a**, **1802b**) is about equal to the size of the active surface of the sample detector **1745**. Accordingly, in a further embodiment the sample chamber **903** is round with a diameter of about 4 millimeter to about 12 millimeter, and more preferably from about 6 millimeter to about 8 millimeter.

[0276] The sample element **1730** shown in FIGURES 18-19 has, in one embodiment, sizes and dimensions specified as follows. The supply passage **1804** preferably has a length of about 15 millimeter, a width of about 1.0 millimeter, and a height equal to the pathlength T. Additionally, the supply opening **1806** is preferably about 1.5 millimeter wide and smoothly transitions to the width of the sample supply passage **1804**. The sample element **1730** is about 0.5 inches (12 millimeters) wide and about one inch (25 millimeters) long with an overall thickness of between about 1.0 millimeter and about 4.0 millimeter. The vent passage **1808** preferably has a length of about 1.0 millimeter to 5.0 millimeter and a width of about 1.0 millimeter, with a thickness substantially equal to the pathlength between the walls **1802c**, **1802d**. The vent aperture **1810** is of substantially the same height and width as the vent passage **1808**. Of course, other dimensions may be employed in other embodiments while still achieving the advantages of the sample element **1730**.

[0277] The sample element **1730** is preferably sized to receive a material sample S having a volume less than or equal to about 15 μL (or less than or equal to about 10 μL , or

less than or equal to about 5 μL) and more preferably a material sample S having a volume less than or equal to about 2 μL . Of course, the volume of the sample element 1730, the volume of the sample chamber 903, etc. can vary, depending on many variables, such as the size and sensitivity of the sample detector 1745, the intensity of the radiation emitted by the energy source 1720, the expected flow properties of the sample, and whether flow enhancers are incorporated into the sample element 1730. The transport of fluid to the sample chamber 903 is achieved preferably through capillary action, but may also be achieved through wicking or vacuum action, or a combination of wicking, capillary action, peristaltic, pumping, and/or vacuum action.

[0278] FIGURE 20 depicts one approach to constructing the sample element 1730. In this approach, the sample element 1730 comprises a first layer 1820, a second layer 1830, and a third layer 1840. The second layer 1830 is preferably positioned between the first layer 1820 and the third layer 1840. The first layer 1820 forms the upper chamber wall 1802c, and the third layer 1840 forms the lower chamber wall 1802d. Where either of the chamber walls 1802c, 1802d comprises a window, the window(s)/wall(s) 1802c/1802d in question may be formed from a different material as is employed to form the balance of the layer(s) 1820/1840 in which the wall(s) are located. Alternatively, the entirety of the layer(s) 1820/1840 may be formed of the material selected to form the window(s)/wall(s) 1802c, 1802d. In this case, the window(s)/wall(s) 1802c, 1802d are integrally formed with the layer(s) 1820, 1840 and simply comprise the regions of the respective layer(s) 1820, 1840 which overlie the sample chamber 903.

[0279] With further reference to FIGURE 20, second layer 1830 may be formed entirely of an adhesive that joins the first and third layers 1820, 1840. In other embodiments, the second layer 1830 may be formed from similar materials as the first and third layers, or any other suitable material. The second layer 1830 may also be formed as a carrier with an adhesive deposited on both sides thereof. The second layer 1830 includes voids which at least partially form the sample chamber 903, sample supply passage 1804, supply opening 1806, vent passage 1808, and vent opening 1810. The thickness of the second layer 1830 can be the same as any of the pathlengths disclosed above as suitable for the sample element 1730. The first and third layers can be formed from any of the materials disclosed above as suitable for

forming the window(s) of the sample element **1730**. In one embodiment, layers **1820**, **1840** are formed from material having sufficient structural integrity to maintain its shape when filled with a sample **S**. Layers **1820**, **1830** may be, for example, calcium fluoride having a thickness of 0.5 millimeter. In another embodiment, the second layer **1830** comprises the adhesive portion of Adhesive Transfer Tape no. 9471LE available from 3M Corporation. In another embodiment, the second layer **1830** comprises an epoxy, available, for example, from TechFilm (31 Dunham Road, Billerica, MA 01821), that is bound to layers **1820**, **1840** as a result of the application of pressure and heat to the layers.

[0280] The sample chamber **903** preferably comprises a reagentless chamber. In other words, the internal volume of the sample chamber **903** and/or the wall(s) **1802** defining the chamber **903** are preferably inert with respect to the sample to be drawn into the chamber for analysis. As used herein, "inert" is a broad term and is used in its ordinary sense and includes, without limitation, substances which will not react with the sample in a manner which will significantly affect any measurement made of the concentration of analyte(s) in the sample with sample analysis apparatus **322** or any other suitable system, for a sufficient time (e.g., about 1-30 minutes) following entry of the sample into the chamber **903**, to permit measurement of the concentration of such analyte(s). Alternatively, the sample chamber **903** may contain one or more reagents to facilitate use of the sample element in sample assay techniques which involve reaction of the sample with a reagent.

[0281] In one embodiment of the present invention, sample element **1730** is used for a limited number of measurements and is disposable. Thus, for example, with reference to FIGURES 8-10, sample element **1730** forms a disposable portion of cassette **820** adapted to place sample chamber **903** within probe region **1002**.

[0282] Additional information on sample elements, methods of use thereof, and related technologies may be found in the above-mentioned and incorporated U.S. Patent Application Publication No. 2005/0038357, published on February 17, 2005, titled SAMPLE ELEMENT WITH BARRIER MATERIAL; and in the above-mentioned and incorporated U.S. Patent Application No. 11/122,794, filed on May 5, 2005, titled SAMPLE ELEMENT WITH SEPARATOR.

SECTION IV.D – CENTRIFUGE

[0283] FIGURE 21 is a schematic of one embodiment of a sample preparation unit **2100** utilizing a centrifuge and which may be generally similar to the sample preparation unit **332**, except as further detailed below. In general, the sample preparation unit **332** includes a centrifuge in place of, or in addition to a filter, such as the filter **1500**. Sample preparation unit **2100** includes a fluid handling element in the form of a centrifuge **2110** having a sample element **2112** and a fluid interface **2120**. Sample element **2112** is illustrated in FIGURE 21 as a somewhat cylindrical element. This embodiment is illustrative, and the sample element may be cylindrical, planar, or any other shape or configuration that is compatible with the function of holding a material (preferably a liquid) in the centrifuge **2110**. The centrifuge **2110** can be used to rotate the sample element **2112** such that the material held in the sample element **2112** is separated.

[0284] In some embodiments, the fluid interface **2120** selectively controls the transfer of a sample from the passageway **113** and into the sample element **2112** to permit centrifuging of the sample. In another embodiment, the fluid interface **2120** also permits a fluid to flow through the sample element **2112** to cleanse or otherwise prepare the sample element for obtaining an analyte measurement. Thus, the fluid interface **2120** can be used to flush and fill the sample element **2112**.

[0285] As shown in FIGURE 21, the centrifuge **2110** comprises a rotor **2111** that includes the sample element **2112** and an axle **2113** attached to a motor, not shown, which is controlled by the controller **210**. The sample element **2112** is preferably generally similar to the sample element **1730** except as described subsequently.

[0286] As is further shown in FIGURE 21, fluid interface **2120** includes a fluid injection probe **2121** having a first needle **2122** and a fluid removal probe **2123**. The fluid removal probe **2123** has a second needle **2124**. When sample element **2112** is properly oriented relative to fluid interface **2120**, a sample, fluid, or other liquid is dispensed into or passes through the sample element **2112**. More specifically, fluid injection probe **2121** includes a passageway to receive a sample, such as a bodily fluid from the patient connector **110**. The bodily fluid can be passed through the fluid injection probe **2121** and the first needle **2122** into the sample element **2112**. To remove material from the sample element

2112, the sample 2112 can be aligned with the second needle 2124, as illustrated. Material can be passed through the second needle 2124 into the fluid removal probe 2123. The material can then pass through a passageway of the removal probe 2123 away from the sample element 2112.

[0287] One position that the sample element 2112 may be rotated through or to is a sample measurement location 2140. The location 2140 may coincide with a region of an analysis system, such as an optical analyte detection system. For example, the location 2140 may coincide with a probe region 1002, or with a measurement location of another apparatus.

[0288] The rotor 2111 may be driven in a direction indicated by arrow R, resulting in a centrifugal force on sample(s) within sample element 2112. The rotation of a sample(s) located a distance from the center of rotation creates centrifugal force. In some embodiments, the sample element 2112 holds whole blood. The centrifugal force may cause the denser parts of the whole blood sample to move further out from the center of rotation than lighter parts of the blood sample. As such, one or more components of the whole blood can be separated from each other. Other fluids or samples can also be removed by centrifugal forces. In one embodiment, the sample element 2112 is a disposable container that is mounted on to a disposable rotor 2111. Preferably, the container is plastic, reusable and flushable. In other embodiments, the sample element 2112 is a non-disposable container that is permanently attached to the rotor 2111.

[0289] The illustrated rotor 2111 is a generally circular plate that is fixedly coupled to the axle 2113. The rotor 2111 can alternatively have other shapes. The rotor 2111 preferably comprises a material that has a low density to keep the rotational inertia low and that is sufficiently strong and stable to maintain shape under operating loads to maintain close optical alignment. For example, the rotor 2111 can be comprised of GE brand ULTEM (trademark) polyetherimide (PEI). This material is available in a plate form that is stable but can be readily machined. Other materials having similar properties can also be used.

[0290] The size of the rotor 2111 can be selected to achieve the desired centrifugal force. In some embodiments, the diameter of rotor 2111 is from about 75 millimeters to about 125 millimeters, or more preferably from about 100 millimeters to about

125 millimeters. The thickness of rotor **2111** is preferably just thick enough to support the centrifugal forces and can be, for example, from about 1.0 to 2.0 millimeter thick.

[0291] In an alternative embodiment, the fluid interface **2120** selectively removes blood plasma from the sample element **2112** after centrifuging. The blood plasma is then delivered to an analyte detection system for analysis. In one embodiment, the separated fluids are removed from the sample element **2112** through the bottom connector. Preferably, the location and orientation of the bottom connector and the container allow the red blood cells to be removed first. One embodiment may be configured with a red blood cell detector. The red blood cell detector may detect when most of the red blood cells have exited the container by determining the haemostatic level. The plasma remaining in the container may then be diverted into the analysis chamber. After the fluids have been removed from the container, the top connector may inject fluid (e.g., saline) into the container to flush the system and prepare it for the next sample.

[0292] FIGURES 22A to 23C illustrate another embodiment of a fluid handling and analysis apparatus **140**, which employs a removable, disposable fluid handling cassette **820**. The cassette **820** is equipped with a centrifuge rotor assembly **2016** to facilitate preparation and analysis of a sample. Except as further described below, the apparatus **140** of FIGURES 22A-22C can in certain embodiments be similar to any of the other embodiments of the apparatus **140** discussed herein, and the cassette **820** can in certain embodiments be similar to any of the embodiments of the cassettes **820** disclosed herein.

[0293] The removable fluid handling cassette **820** can be removably engaged with a main analysis instrument **810**. When the fluid handling cassette **820** is coupled to the main instrument **810**, a drive system **2030** of the main instrument **810** mates with the rotor assembly **2016** of the cassette **820** (FIGURE 22B). Once the cassette **820** is coupled to the main instrument **810**, the drive system **2030** engages and can rotate the rotor assembly **2016** to apply a centrifugal force to a body fluid sample carried by the rotor assembly **2016**.

[0294] In some embodiments, the rotor assembly **2016** includes a rotor **2020** sample element **2448** (FIGURE 22C) for holding a sample for centrifuging. When the rotor **2020** is rotated, a centrifugal force is applied to the sample contained within the sample element **2448**. The centrifugal force causes separation of one or more components of the

sample (e.g., separation of plasma from whole blood). The separated component(s) can then be analyzed by the apparatus 140, as will be discussed in further detail below.

[0295] The main instrument **810** includes both the centrifuge drive system **2030** and an analyte detection system **1700**, a portion of which protrudes from a housing **2049** of the main instrument **810**. The drive system **2030** is configured to releasably couple with the rotor assembly **2016**, and can impart rotary motion to the rotor assembly **2016** to rotate the rotor **2020** at a desired speed. After the centrifuging process, the analyte detection system **1700** can analyze one or more components separated from the sample carried by the rotor **2020**. The projecting portion of the illustrated detection system **1700** forms a slot **2074** for receiving a portion of the rotor **2020** carrying the sample element **2448** so that the detection system **1700** can analyze the sample or component(s) carried in the sample element **2448**.

[0296] To assemble the fluid handling and analysis apparatus **140** as shown in FIGURE 22C, the cassette **820** is placed on the main instrument **810**, as indicated by the arrow **2007** of FIGURES 22A and 22B. The rotor assembly **2016** is accessible to the drive system **2030**, so that once the cassette **820** is properly mounted on the main instrument **810**, the drive system **2030** is in operative engagement with the rotor assembly **2016**. The drive system **2030** is then energized to spin the rotor **2020** at a desired speed. The spinning rotor **2020** can pass repeatedly through the slot **2074** of the detection system **1700**.

[0297] After the centrifuging process, the rotor **2020** is rotated to an analysis position (see FIGURES 22B and 23C) wherein the sample element **2448** is positioned within the slot **2074**. With the rotor **2020** and sample element **2448** in the analysis position, the analyte detection system **1700** can analyze one or more of the components of the sample carried in the sample element **2448**. For example, the detection system **1700** can analyze at least one of the components that is separated out during the centrifuging process. After using the cassette **820**, the cassette **820** can be removed from the main instrument **810** and discarded. Another cassette **820** can then be mounted to the main instrument **810**.

[0298] With reference to FIGURE 23A, the illustrated cassette **820** includes the housing **2400** that surrounds the rotor assembly **2016**, and the rotor **2020** is pivotally connected to the housing **2400** by the rotor assembly **2016**. The rotor **2020** includes a rotor

interface **2051** for driving engagement with the drive system **2030** upon placement of the cassette **820** on the main instrument **810**.

[0299] In some embodiments, the cassette **820** is a disposable fluid handling cassette. The reusable main instrument **810** can be used with any number of cassettes **820** as desired. Additionally or alternatively, the cassette **820** can be a portable, handheld cassette for convenient transport. In these embodiments, the cassette **820** can be manually mounted to or removed from the main instrument **810**. In some embodiments, the cassette **820** may be a non disposable cassette which can be permanently coupled to the main instrument **810**.

[0300] FIGURES 25A and 25B illustrate the centrifugal rotor **2020**, which is capable of carrying a sample, such as bodily fluid. Thus, the illustrated centrifugal rotor **2020** can be considered a fluid handling element that can prepare a sample for analysis, as well as hold the sample during a spectroscopic analysis. The rotor **2020** preferably comprises an elongate body **2446**, at least one sample element **2448**, and at least one bypass element **2452**. The sample element **2448** and bypass element **2452** can be located at opposing ends of the rotor **2020**. The bypass element **2452** provides a bypass flow path that can be used to clean or flush fluid passageways of the fluid handling and analysis apparatus **140** without passing fluid through the sample element **2448**.

[0301] The illustrated rotor body **2446** can be a generally planar member that defines a mounting aperture **2447** for coupling to the drive system **2030**. The illustrated rotor **2020** has a somewhat rectangular shape. In alternative embodiments, the rotor **2020** is generally circular, polygonal, elliptical, or can have any other shape as desired. The illustrated shape can facilitate loading when positioned horizontally to accommodate the analyte detection system **1700**.

[0302] With reference to FIGURE 25B, a pair of opposing first and second fluid connectors **2027**, **2029** extends outwardly from a front face of the rotor **2020**, to facilitate fluid flow through the rotor body **2446** to the sample element **2448** and bypass element **2452**, respectively. The first fluid connector **2027** defines an outlet port **2472** and an inlet port **2474** that are in fluid communication with the sample element **2448**. In the illustrated embodiment, fluid channels **2510**, **2512** extend from the outlet port **2472** and inlet port **2474**, respectively, to the sample element **2448**. (See FIGURES 25E and 25F.) As such, the ports

2472, 2474 and channels 2510, 2512 define input and return flow paths through the rotor 2020 to the sample element 2448 and back.

[0303] With continued reference to FIGURE 25B, the rotor 2020 includes the bypass element 2452 which permits fluid flow therethrough from an outlet port 2572 to the inlet port 2574. A channel 2570 extends between the outlet port 2572 and the inlet port 2574 to facilitate this fluid flow. The channel 2570 thus defines a closed flow path through the rotor 2020 from one port 2572 to the other port 2574. In the illustrated embodiment, the outlet port 2572 and inlet port 2574 of the bypass element 2452 have generally the same spacing therebetween on the rotor 2020 as the outlet port 2472 and the inlet port 2474.

[0304] One or more windows 2460a, 2460b can be provided for optical access through the rotor 2020. A window 2460a proximate the bypass element 2452 can be a through-hole (see FIGURE 25E) that permits the passage of electromagnetic radiation through the rotor 2020. A window 2460b proximate the sample element 2448 can also be a similar through-hole which permits the passage of electromagnetic radiation. Alternatively, one or both of the windows 2460a, 2460b can be a sheet constructed of calcium fluoride, barium fluoride, germanium, silicon, polypropylene, polyethylene, combinations thereof, or any material with suitable transmissivity (i.e., transmittance per unit thickness) in the relevant wavelength(s). The windows 2460a, 2460b are positioned so that one of the windows 2460a, 2460b is positioned in the slot 2074 when the rotor 2020 is in a vertically orientated position.

[0305] Various fabrication techniques can be used to form the rotor 2020. In some embodiments, the rotor 2020 can be formed by molding (e.g., compression or injection molding), machining, or a similar production process or combination of production processes. In some embodiments, the rotor 2020 is comprised of plastic. The compliance of the plastic material can be selected to create the seal with the ends of pins 2542, 2544 of a fluid interface 2028 (discussed in further detail below). Non-limiting exemplary plastics for forming the ports (e.g., ports 2572, 2574, 2472, 2474) can be relatively chemically inert and can be injection molded or machined. These plastics include, but are not limited to, PEEK and polyphenylenesulfide (PPS). Although both of these plastics have high modulus, a fluidic seal can be made if sealing surfaces are produced with smooth finish and the sealing zone is a small area where high contact pressure is created in a very small zone. Accordingly, the

materials used to form the rotor **2020** and pins **2542**, **2544** can be selected to achieve the desired interaction between the rotor **2020** and the pins **2542**, **2544**, as described in detail below.

[0306] The illustrated rotor assembly **2016** of FIGURE 23A rotatably connects the rotor **2020** to the cassette housing **2400** via a rotor axle boss **2426** which is fixed with respect to the cassette housing and pivotally holds a rotor axle **2430** and the rotor **2020** attached thereto. The rotor axle **2430** extends outwardly from the rotor axle boss **2426** and is fixedly attached to a rotor bracket **2436**, which is preferably securely coupled to a rear face of the rotor **2020**. Accordingly, the rotor assembly **2016** and the drive system **2030** cooperate to ensure that the rotor **2020** rotates about the axis **2024**, even at high speeds. The illustrated cassette **820** has a single rotor assembly **2016**. In other embodiments, the cassette **820** can have more than one rotor assembly **2016**. Multiple rotor assemblies **2016** can be used to prepare (preferably simultaneously) and test multiple samples.

[0307] With reference again to FIGURES 25A, 25B, 25E and 25F, the sample element **2448** is coupled to the rotor **2020** and can hold a sample of body fluid for processing with the centrifuge. The sample element **2448** can, in certain embodiments, be generally similar to other sample elements or cuvettes disclosed herein (e.g., sample elements **1730**, **2112**) except as further detailed below.

[0308] The sample element **2448** comprises a sample chamber **2464** that holds a sample for centrifuging, and fluid channels **2466**, **2468**, which provide fluid communication between the chamber **2464** and the channels **2512**, **2510**, respectively, of the rotor **2020**. Thus, the fluid channels **2512**, **2466** define a first flow path between the port **2474** and the chamber **2464**, and the channels **2510**, **2468** define a second flow path between the port **2472** and the chamber **2464**. Depending on the direction of fluid flow into the sample element **2448**, either of the first or second flow paths can serve as an input flow path, and the other can serve as a return flow path.

[0309] A portion of the sample chamber **2464** can be considered an interrogation region **2091**, which is the portion of the sample chamber through which electromagnetic radiation passes during analysis by the detection system **1700** of fluid contained in the chamber **2464**. Accordingly, the interrogation region **2091** is aligned with the window **2460b**

when the sample element **2448** is coupled to the rotor **2020**. The illustrated interrogation region **2091** comprises a radially inward portion (i.e., relatively close to the axis of rotation **2024** of the rotor **2020**) of the chamber **2464**, to facilitate spectroscopic analysis of the lower density portion(s) of the body fluid sample (e.g., the plasma of a whole blood sample) after centrifuging, as will be discussed in greater detail below. Where the higher-density portions of the body fluid sample are of interest for spectroscopic analysis, the interrogation region **2091** can be located in a radially outward (i.e., further from the axis of rotation **2024** of the rotor **2020**) portion of the chamber **2464**.

[0310] The rotor **2020** can temporarily or permanently hold the sample element **2448**. As shown in FIGURE 25F, the rotor **2020** forms a recess **2502** which receives the sample element **2448**. The sample element **2448** can be held in the recess **2502** by frictional interaction, adhesives, or any other suitable coupling means. The illustrated sample element **2448** is recessed in the rotor **2020**. However, the sample element **2448** can alternatively overlie or protrude from the rotor **2020**.

[0311] The sample element **2448** can be used for a predetermined length of time, to prepare a predetermined amount of sample fluid, to perform a number of analyses, etc. If desired, the sample element **2448** can be removed from the rotor **2020** and then discarded. Another sample element **2448** can then be placed into the recess **2502**. Thus, even if the cassette **820** is disposable, a plurality of disposable sample elements **2448** can be used with a single cassette **820**. Accordingly, a single cassette **820** can be used with any number of sample elements as desired. Alternatively, the cassette **820** can have a sample element **2448** that is permanently coupled to the rotor **2020**. In some embodiments, at least a portion of the sample element **2448** is integrally or monolithically formed with the rotor body **2446**. Additionally or alternatively, the rotor **2020** can comprise a plurality of sample elements (e.g., with a record sample element in place of the bypass **2452**). In this embodiment, a plurality of samples (e.g., bodily fluid) can be prepared simultaneously to reduce sample preparation time.

[0312] FIGURES 26A and 26B illustrate a layered construction technique which can be employed when forming certain embodiments of the sample element **2448**. The depicted layered sample element **2448** comprises a first layer **2473**, a second layer **2475**, and

a third layer 2478. The second layer 2475 is preferably positioned between the first layer 2473 and the third layer 2478. The first layer 2473 forms an upper chamber wall 2482, and the third layer 2478 forms a lower chamber wall 2484. A lateral wall 2490 of the second layer 2475 defines the sides of the chamber 2464 and the fluid channels 2466, 2468.

[0313] The second layer 2475 can be formed by die-cutting a substantially uniform-thickness sheet of a material to form the lateral wall pattern shown in FIGURE 26A. The second layer 2475 can comprise a layer of lightweight flexible material, such as a polymer material, with adhesive disposed on either side thereof to adhere the first and third layers 2473, 2478 to the second layer 2475 in “sandwich” fashion as shown in FIGURE 26B. Alternatively, the second layer 2475 can comprise an “adhesive-only” layer formed from a uniform-thickness sheet of adhesive which has been die-cut to form the depicted lateral wall pattern.

[0314] However constructed, the second layer 2475 is preferably of uniform thickness to define a substantially uniform thickness or path length of the sample chamber 2464 and/or interrogation region 2091. This path length (and therefore the thickness of the second layer 2475 as well) is preferably between 10 microns and 100 microns, or is 20, 40, 50, 60, or 80 microns, in various embodiments.

[0315] The upper chamber wall 2482, lower chamber wall 2484, and lateral wall 2490 cooperate to form the chamber 2464. The upper chamber wall 2482 and/or the lower chamber wall 2484 can permit the passage of electromagnetic energy therethrough. Accordingly, one or both of the first and third layers 2473, 2478 comprises a sheet or layer of material which is relatively or highly transmissive of electromagnetic radiation (preferably infrared radiation or mid-infrared radiation) such as barium fluoride, silicon, polyethylene or polypropylene. If only one of the layers 2473, 2478 is so transmissive, the other of the layers is preferably reflective, to back-reflect the incoming radiation beam for detection on the same side of the sample element 2448 as it was emitted. Thus the upper chamber wall 2482 and/or lower chamber wall 2484 can be considered optical window(s). These window(s) are disposed on one or both sides of the interrogation region 2091 of the sample element 2448.

[0316] In one embodiment, sample element 2448 has opposing sides that are transmissive of infrared radiation and suitable for making optical measurements as described,

for example, in U.S. Patent Application Publication No. 2005/0036146, published February 17, 2005, titled SAMPLE ELEMENT QUALIFICATION, and hereby incorporated by reference and made a part of this specification. Except as further described herein, the embodiments, features, systems, devices, materials, methods and techniques described herein may, in some embodiments, be similar to any one or more of the embodiments, features, systems, devices, materials, methods and techniques described in U.S. Patent Application Publication No. 2003/0090649, published on May 15, 2003, titled REAGENT-LESS WHOLE-BLOOD GLUCOSE METER; or in U.S. Patent Application Publication No. 2003/0086075, published on May 8, 2003, titled DEVICE AND METHOD FOR IN VITRO DETERMINATION OF ANALYTE CONCENTRATIONS WITHIN BODY FLUIDS; or in U.S. Patent Application Publication No. 2004/0019431, published on January 29, 2004, titled METHOD OF DETERMINING AN ANALYTE CONCENTRATION IN A SAMPLE FROM AN ABSORPTION SPECTRUM, or in U.S. Patent No. 6,652,136, issued on November 25, 2003 to Marziali, titled METHOD OF SIMULTANEOUS MIXING OF SAMPLES. In addition, the embodiments, features, systems, devices, materials, methods and techniques described herein may, in certain embodiments, be applied to or used in connection with any one or more of the embodiments, features, systems, devices, materials, methods and techniques disclosed in the above-mentioned U.S. Patent Applications Publications Nos. 2003/0090649; 2003/0086075; 2004/0019431; or U.S. Patent No. 6,652,136. All of the above-mentioned publications and patent are hereby incorporated by reference herein and made a part of this specification.

[0317] With reference to FIGURES 23B and 23C, the cassette **820** can further comprise the movable fluid interface **2028** for filling and/or removing sample liquid from the sample element **2448**. In the depicted embodiment, the fluid interface **2028** is rotatably mounted to the housing **2400** of the cassette **820**. The fluid interface **2028** can be actuated between a lowered position (FIGURE 22C) and a raised or filling position (FIGURE 27C). When the interface **2028** is in the lowered position, the rotor **2020** can freely rotate. To transfer sample fluid to the sample element **2448**, the rotor **2020** can be held stationary and in a sample element loading position (see FIGURE 22C) the fluid interface **2028** can be actuated, as indicated by the arrow **2590**, upwardly to the filling position. When the fluid

interface **2028** is in the filling position, the fluid interface **2028** can deliver sample fluid into the sample element **2448** and/or remove sample fluid from the sample element **2448**.

[0318] With continued reference to FIGURES 27A and 27B, the fluid interface **2028** has a main body **2580** that is rotatably mounted to the housing **2400** of the cassette **820**. Opposing brackets **2581**, **2584** can be employed to rotatably couple the main body **2580** to the housing **2400** of the cassette **820**, and permit rotation of the main body **2580** and the pins **2542**, **2544** about an axis of rotation **2590** between the lowered position and the filling position. The main instrument **810** can include a horizontally moveable actuator (not shown) in the form of a solenoid, pneumatic actuator, etc. which is extendible through an opening **2404** in the cassette housing **2400** (see FIG. 23B). Upon extension, the actuator strikes the main body **2580** of the fluid interface **2028**, causing the body **2580** to rotate to the filling position shown in FIGURE 27C. The main body **2580** is preferably spring-biased towards the retracted position (shown in FIGURE 23A) so that retraction of the actuator allows the main body to return to the retracted position. The fluid interface **2028** can thus be actuated for periodically placing fluid passageways of the pins **2542**, **2544** in fluid communication with a sample element **2448** located on the rotor **2020**.

[0319] The fluid interface **2028** of FIGURES 27A and 23B includes fluid connectors **2530**, **2532** that can provide fluid communication between the interface **2028** and one or more of the fluid passageways of the apparatus **140** and/or sampling system **100/800**, as will be discussed in further detail below. The illustrated connectors **2530**, **2532** are in an upwardly extending orientation and positioned at opposing ends of the main body **2580**. The connectors **2530**, **2532** can be situated in other orientations and/or positioned at other locations along the main body **2580**. The main body **2580** includes a first inner passageway (not shown) which provides fluid communication between the connector **2530** and the pin **2542**, and a second inner passageway (not shown) which provides fluid communication between the connector **2532** and the pin **2544**.

[0320] The fluid pins **2542**, **2544** extend outwardly from the main body **2580** and can engage the rotor **2020** to deliver and/or remove sample fluid to or from the rotor **2020**. The fluid pins **2542**, **2544** have respective pin bodies **2561**, **2563** and pin ends **2571**, **2573**. The pin ends **2571**, **2573** are sized to fit within corresponding ports **2472**, **2474** of the fluid

connector 2027 and/or the ports 2572, 2574 of the fluid connector 2029, of the rotor 2020. The pin ends 2571, 2573 can be slightly chamfered at their tips to enhance the sealing between the pin ends 2571, 2573 and rotor ports. In some embodiments, the outer diameters of the pin ends 2573, 2571 are slightly larger than the inner diameters of the ports of the rotor 2020 to ensure a tight seal, and the inner diameters of the pins 2542, 2544 are preferably identical or very close to the inner diameters of the channels 2510, 2512 leading from the ports. In other embodiments, the outer diameter of the pin ends 2571, 2573 are equal to or less than the inner diameters of the ports of the rotor 2020.

[0321] The connections between the pins 2542, 2544 and the corresponding portions of the rotor 2020, either the ports 2472, 2474 leading to the sample element 2448 or the ports 2572, 2574 leading to the bypass element 2452, can be relatively simple and inexpensive. At least a portion of the rotor 2020 can be somewhat compliant to help ensure a seal is formed with the pins 2542, 2544. Alternatively or additionally, sealing members (e.g., gaskets, O-rings, and the like) can be used to inhibit leaking between the pin ends 2571, 2573 and corresponding ports 2472, 2474, 2572, 2574.

[0322] FIGURES 23A and 23B illustrate the cassette housing 2400 enclosing the rotor assembly 2016 and the fluid interface 2028. The housing 2400 can be a modular body that defines an aperture or opening 2404 dimensioned to receive a drive system housing 2050 when the cassette 820 is operatively coupled to the main instrument 810. The housing 2400 can protect the rotor 2020 from external forces and can also limit contamination of samples delivered to a sample element in the rotor 2020, when the cassette 820 is mounted to the main instrument 810.

[0323] The illustrated cassette 820 has a pair of opposing side walls 2041, 2043, top 2053, and a notch 2408 for mating with the detection system 1700. A front wall 2045 and rear wall 2047 extend between the side walls 2041, 2043. The rotor assembly 2016 is mounted to the inner surface of the rear wall 2047. The front wall 2045 is configured to mate with the main instrument 810 while providing the drive system 2030 with access to the rotor assembly 2016.

[0324] The illustrated front wall 2045 has the opening 2404 that provides access to the rotor assembly 2016. The drive system 2030 can be passed through the opening 2404

into the interior of the cassette **820** until it operatively engages the rotor assembly **2016**. The opening **2404** of FIGURE 23B is configured to mate and tightly surround the drive system **2030**. The illustrated opening **2404** is generally circular and includes an upper notch **2405** to permit the fluid interface actuator of the main instrument **810** to access the fluid interface **2028**, as discussed above. The opening **2404** can have other configurations suitable for admitting the drive system **2030** and actuator into the cassette **820**.

[0325] The notch **2408** of the housing **2400** can at least partially surround the projecting portion of the analyte detection system **1700** when the cassette **820** is loaded onto the main instrument **810**. The illustrated notch **2408** defines a cassette slot **2410** (FIGURE 23A) that is aligned with elongate slot **2074** shown in FIGURE 22C, upon loading of the cassette **820**. The rotating rotor **2020** can thus pass through the aligned slots **2410**, **2074**. In some embodiments, the notch **2408** has a generally U-shaped axial cross section as shown. More generally, the configuration of the notch **2408** can be selected based on the design of the projecting portion of the detection system **1700**.

[0326] Although not illustrated, fasteners, clips, mechanical fastening assemblies, snaps, or other coupling means can be used to ensure that the cassette **820** remains coupled to the main instrument **810** during operation. Alternatively, the interaction between the housing **2400** and the components of the main instrument **810** can secure the cassette **820** to the main instrument **810**.

[0327] FIGURE 28 is a cross-sectional view of the main instrument **810**. The illustrated centrifuge drive system **2030** extends outwardly from a front face **2046** of the main instrument **810** so that it can be easily mated with the rotor assembly **2016** of the cassette **820**. When the centrifuge drive system **2030** is energized, the drive system **2030** can rotate the rotor **2020** at a desired rotational speed.

[0328] The illustrated centrifuge drive system **2030** of FIGURES 23E and 28 includes a centrifuge drive motor **2038** and a drive spindle **2034** that is drivingly connected to the drive motor **2038**. The drive spindle **2034** extends outwardly from the drive motor **2038** and forms a centrifuge interface **2042**. The centrifuge interface **2042** extends outwardly from the drive system housing **2050**, which houses the drive motor **2038**. To impart rotary motion to the rotor **2020**, the centrifuge interface **2042** can have keying members, protrusions,

notches, detents, recesses, pins, or other types of structures that can engage the rotor **2020** such that the drive spindle **2034** and rotor **2020** are coupled together.

[0329] The centrifuge drive motor **2038** of FIGURE 28 can be any suitable motor that can impart rotary motion to the rotor **2020**. When the drive motor **2038** is energized, the drive motor **2038** can rotate the drive spindle **2034** at constant or varying speeds. Various types of motors, including, but not limited to, centrifuge motors, stepper motors, spindle motors, electric motors, or any other type of motor for outputting a torque can be utilized. The centrifuge drive motor **2038** is preferably fixedly secured to the drive system housing **2050** of the main instrument **810**.

[0330] The drive motor **2038** can be the type of motor typically used in personal computer hard drives that is capable of rotating at about 7,200 RPM on precision bearings, such as a motor of a Seagate Model ST380011A hard drive (Seagate Technology, Scotts Valley, CA) or similar motor. In one embodiment, the drive spindle **2034** may be rotated at 6,000 rpm, which yields approximately 2,000 G's for a rotor having a 2.5 inch (64 millimeter) radius. In another embodiment, the drive spindle **2034** may be rotated at speeds of approximately 7,200 rpm. The rotational speed of the drive spindle **2034** can be selected to achieve the desired centrifugal force applied to a sample carried by the rotor **2020**.

[0331] The main instrument **810** includes a main housing **2049** that defines a chamber sized to accommodate a filter wheel assembly **2300** including a filter drive motor **2320** and filter wheel **2310** of the analyte detection system **1700**. The main housing **2049** defines a detection system opening **3001** configured to receive an analyte detection system housing **2070**. The illustrated analyte detection system housing **2070** extends or projects outwardly from the housing **2049**.

[0332] The main instrument **810** of FIGURES 23C and 23E includes a bubble sensor unit **321**, a pump **2619** in the form of a peristaltic pump roller **2620a** and a roller support **2620b**, and valves **323a**, **323b**. The illustrated valves **323a**, **323b** are pincher pairs, although other types of valves can be used. When the cassette **820** is installed, these components can engage components of a fluid handling network **2600** of the cassette **820**, as will be discussed in greater detail below.

[0333] With continued reference to FIGURE 28, the analyte detection system housing 2070 surrounds and houses some of the internal components of the analyte detection system 1700. The elongate slot 2074 extends downwardly from an upper face 2072 of the housing 2070. The elongated slot 2074 is sized and dimensioned so as to receive a portion of the rotor 2020. When the rotor 2020 rotates, the rotor 2020 passes periodically through the elongated slot 2074. When a sample element of the rotor 2020 is in the detection region 2080 defined by the slot 2074, the analyte detection system 1700 can analyze material in the sample element.

[0334] The analyte detection system 1700 can be a spectroscopic bodily fluid analyzer that preferably comprises an energy source 1720. The energy source 1720 can generate an energy beam directed along a major optical axis X that passes through the slot 2074 towards a sample detector 1745. The slot 2074 thus permits at least a portion of the rotor (e.g., the interrogation region 2091 or sample chamber 2464 of the sample element 2448) to be positioned on the optical axis X. To analyze a sample carried by the sample element 2448, the sample element and sample can be positioned in the detection region 2080 on the optical axis X such that light emitted from the source 1720 passes through the slot 2074 and the sample disposed within the sample element 2448.

[0335] The analyte detection system 1700 can also comprise one or more lenses positioned to transmit energy outputted from the energy source 1720. The illustrated analyte detection system 1700 of FIGURE 28 comprises a first lens 2084 and a second lens 2086. The first lens 2084 is configured to focus the energy from the source 1720 generally onto the sample element and material sample. The second lens 2086 is positioned between the sample element and the sample detector 1745. Energy from energy source 1720 passing through the sample element can subsequently pass through the second lens 2086. A third lens 2090 is preferably positioned between a beam splitter 2093 and a reference detector 2094. The reference detector 2094 is positioned to receive energy from the beam splitter 2093.

[0336] The analyte detection system 1700 can be used to determine the analyte concentration in the sample carried by the rotor 2020. Other types of detection or analysis systems can be used with the illustrated centrifuge apparatus or sample preparation unit. The fluid handling and analysis apparatus 140 is shown for illustrative purposes as being used in

conjunction with the analyte detection system 1700, but neither the sample preparation unit nor analyte detection system are intended to be limited to the illustrated configuration, or to be limited to being used together.

[0337] To assemble the fluid handling and analysis apparatus 140, the cassette 820 can be moved towards and installed onto the main instrument 810, as indicated by the arrow 2007 in FIGURE 22A. As the cassette 820 is installed, the drive system 2030 passes through the aperture 2040 so that the spindle 2034 mates with the rotor 2020. Simultaneously, the projecting portion of the detection system 1700 is received in the notch 2408 of the cassette 820. When the cassette 820 is installed on the main instrument 810, the slot 2410 of the notch 2048 and the slot 2074 of the detection system 1700 are aligned as shown in FIGURE 22C. Accordingly, when the cassette 820 and main instrument 810 are assembled, the rotor 2020 can rotate about the axis 2024 and pass through the slots 2410, 2074.

[0338] After the cassette 820 is assembled with the main instrument 810, a sample can be added to the sample element 2448. The cassette 820 can be connected to an infusion source and a patient to place the system in fluid communication with a bodily fluid to be analyzed. Once the cassette 820 is connected to a patient, a bodily fluid may be drawn from the patient into the cassette 820. The rotor 2020 is rotated to a vertical loading position wherein the sample element 2448 is near the fluid interface 2028 and the bypass element 2452 is positioned within the slot 2074 of the detection system 1700. Once the rotor 2020 is in the vertical loading position, the pins 2542, 2544 of the fluid interface 2028 are positioned to mate with the ports 2472, 2474 of the rotor 2020. The fluid interface 2028 is then rotated upwardly until the ends 2571, 2573 of the pins 2542, 2544 are inserted into the ports 2472, 2474.

[0339] When the fluid interface 2028 and the sample element 2448 are thus engaged, sample fluid (e.g., whole blood) is pumped into the sample element 2448. The sample can flow through the pin 2544 into and through the rotor channel 2512 and the sample element channel 2466, and into the sample chamber 2464. As shown in FIGURE 25C, the sample chamber 2464 can be partially or completely filled with sample fluid. In some embodiments, the sample fills at least the sample chamber 2464 and the interrogation region

2091 of the sample element **2448**. The sample can optionally fill at least a portion of the sample element channels **2466**, **2468**. The illustrated sample chamber **2464** is filled with whole blood, although the sample chamber **2464** can be filled with other substances. After the sample element **2448** is filled with a desired amount of fluid, the fluid interface **2028** can be moved to a lowered position to permit rotation of the rotor **2020**.

[0340] The centrifuge drive system **2030** can then spin the rotor **2020** and associated sample element **2448** as needed to separate one or more components of the sample. The separated component(s) of the sample may collect or be segregated in a section of the sample element for analysis. In the illustrated embodiment, the sample element **2448** of FIGURE 25C is filled with whole blood prior to centrifuging. The centrifugal forces can be applied to the whole blood until plasma **2594** is separated from the blood cells **2592**. After centrifuging, the plasma **2594** is preferably located in a radially inward portion of the sample element **2448**, including the interrogation region **2091**. The blood cells **2592** collect in a portion of the sample chamber **2464** which is radially outward of the plasma **2594** and interrogation region **2091**.

[0341] The rotor **2020** can then be moved to a vertical analysis position wherein the sample element **2448** is disposed within the slot **2074** and aligned with the source **1720** and the sample detector **1745** on the major optical axis X. When the rotor **2020** is in the analysis position, the interrogation portion **2091** is preferably aligned with the major optical axis X of the detection system **1700**. The analyte detection system **1700** can analyze the sample in the sample element **2448** using spectroscopic analysis techniques as discussed elsewhere herein.

[0342] After the sample has been analyzed, the sample can be removed from the sample element **2448**. The sample may be transported to a waste receptacle so that the sample element **2448** can be reused for successive sample draws and analyses. The rotor **2020** is rotated from the analysis position back to the vertical loading position. To empty the sample element **2448**, the fluid interface **2028** can again engage the sample element **2448** to flush the sample element **2448** with fresh fluid (either a new sample of body fluid, or infusion fluid). The fluid interface **2028** can be rotated to mate the pins **2542**, **2544** with the ports **2472**, **2474** of the rotor **2020**. The fluid interface **2028** can pump a fluid through one of the

pins 2542, 2544 until the sample is flushed from the sample element 2448. Various types of fluids, such as infusion liquid, air, water, and the like, can be used to flush the sample element 2448. After the sample element 2448 has been flushed, the sample element 2448 can once again be filled with another sample.

[0343] In an alternative embodiment, the sample element 2448 may be removed from the rotor 2020 and replaced after each separate analysis, or after a certain number of analyses. Once the patient care has terminated, the fluid passageways or conduits may be disconnected from the patient and the sample cassette 820 which has come into fluid contact with the patient's bodily fluid may be disposed of or sterilized for reuse. The main instrument 810, however, has not come into contact with the patient's bodily fluid at any point during the analysis and therefore can readily be connected to a new fluid handling cassette 820 and used for the analysis of a subsequent patient.

[0344] The rotor 2020 can be used to provide a fluid flow bypass. To facilitate a bypass flow, the rotor 2020 is first rotated to the vertical analysis/bypass position wherein the bypass element 2452 is near the fluid interface 2028 and the sample element 2448 is in the slot 2074 of the analyte detection system 1700. Once the rotor 2020 is in the vertical analysis/bypass position, the pins 2542, 2544 can mate with the ports 2572, 2574 of the rotor 2020. In the illustrated embodiment, the fluid interface 2028 is rotated upwardly until the ends 2571, 2573 of the pins 2542, 2544 are inserted into the ports 2572, 2574. The bypass element 2452 can then provide a completed fluid circuit so that fluid can flow through one of the pins 2542, 2544 into the bypass element 2452, through the bypass element 2452, and then through the other pin 2542, 2544. The bypass element 2452 can be utilized in this manner to facilitate the flushing or sterilizing of a fluid system connected to the cassette 820.

[0345] As shown in FIGURE 23B, the cassette 820 preferably includes the fluid handling network 2600 which can be employed to deliver fluid to the sample element 2448 in the rotor 2020 for analysis. The main instrument 810 has a number of components that can, upon installation of the cassette 820 on the main instrument 810, extend through openings in the front face 2045 of cassette 820 to engage and interact with components of the fluid handling network 2600, as detailed below.

[0346] The fluid handling network 2600 of the fluid handling and analysis apparatus 140 includes the passageway 111 which extends from the connector 120 toward and through the cassette 820 until it becomes the passageway 112, which extends from the cassette 820 to the patient connector 110. A portion 111a of the passageway 111 extends across an opening 2613 in the front face 2045 of the cassette 820. When the cassette 820 is installed on the main instrument 810, the roller pump 2619 engages the portion 111a, which becomes situated between the impeller 2620a and the impeller support 2620b (see FIGURE 23C).

[0347] The fluid handling network 2600 also includes passageway 113 which extends from the patient connector 110 towards and into the cassette 820. After entering the cassette 820, the passageway 113 extends across an opening 2615 in the front face 2045 to allow engagement of the passageway 113 with a bubble sensor 321 of the main instrument 810, when the cassette 820 is installed on the main instrument 810. The passageway 113 then proceeds to the connector 2532 of the fluid interface 2028, which extends the passageway 113 to the pin 2544. Fluid drawn from the patient into the passageway 113 can thus flow into and through the fluid interface 2028, to the pin 2544. The drawn body fluid can further flow from the pin 2544 and into the sample element 2448, as detailed above.

[0348] A passageway 2609 extends from the connector 2530 of the fluid interface 2028 and is thus in fluid communication with the pin 2542. The passageway 2609 branches to form the waste line 324 and the pump line 327. The waste line 324 passes across an opening 2617 in the front face 2045 and extends to the waste receptacle 325. The pump line 327 passes across an opening 2619 in the front face 2045 and extends to the pump 328. When the cassette 820 is installed on the main instrument 810, the pinch valves 323a, 323b extend through the openings 2617, 2619 to engage the lines 324, 327, respectively.

[0349] The waste receptacle 325 is mounted to the front face 2045. Waste fluid passing from the fluid interface 2028 can flow through the passageways 2609, 324 and into the waste receptacle 325. Once the waste receptacle 325 is filled, the cassette 820 can be removed from the main instrument 810 and discarded. Alternatively, the filled waste receptacle 325 can be replaced with an empty waste receptacle 325.

[0350] The pump 328 can be a displacement pump (e.g., a syringe pump). A piston control 2645 can extend over at least a portion of an opening 2621 in the cassette face 2045 to allow engagement with an actuator 2652 when the cassette 820 is installed on the main instrument 810. When the cassette 820 is installed, the actuator 2652 (FIGURE 23E) of the main instrument 810 engages the piston control 2645 of the pump 328 and can displace the piston control 2645 for a desired fluid flow.

[0351] It will be appreciated that, upon installing the cassette 820 of FIGURE 23A on the main instrument 810 of FIGURE 23E, there is formed (as shown in FIGURE 23E) a fluid circuit similar to that shown in the sampling unit 200 in FIGURE 3. This fluid circuit can be operated in a manner similar to that described above in connection with the apparatus of FIGURE 3 (e.g., in accordance with the methodology illustrated in FIGURES 7A-7J and Table 1).

[0352] FIGURE 24A depicts another embodiment of a fluid handling network 2700 that can be employed in the cassette 820. The fluid handling network 2700 can be generally similar in structure and function to the network 2600 of FIGURE 23B, except as detailed below. The network 2700 includes the passageway 111 which extends from the connector 120 toward and through the cassette 820 until it becomes the passageway 112, which extends from the cassette 820 to the patient connector 110. A portion 111a of the passageway 111 extends across an opening 2713 in the front face 2745 of the cassette 820. When the cassette 820 is installed on the main instrument 810, a roller pump 2619 of the main instrument 810 of FIGURE 24B can engage the portion 111a in a manner similar to that described above with respect to FIGURES 23B-23C. The passageway 113 extends from the patient connector 110 towards and into the cassette 820. After entering the cassette 820, the passageway 113 extends across an opening 2763 in the front face 2745 to allow engagement with a valve 2733 of the main instrument 810. A waste line 2704 extends from the passageway 113 to the waste receptacle 325 and across an opening 2741 in the front face 2745. The passageway 113 proceeds to the connector 2532 of the fluid interface 2028, which extends the passageway 113 to the pin 2544. The passageway 113 crosses an opening 2743 in the front face 2745 to allow engagement of the passageway 113 with a bubble sensor 2741 of the main instrument 810 of FIGURE 24B. When the cassette 820 is installed on the main

instrument 810, the pinch valves 2732, 2733 extend through the openings 2731, 2743 to engage the passageways 113, 2704, respectively.

[0353] The illustrated fluid handling network 2700 also includes a passageway 2723 which extends between the passageway 111 and a passageway 2727, which in turn extends between the passageway 2723 and the fluid interface 2028. The passageway 2727 extends across an opening 2733 in the front face 2745. A pump line 2139 extends from a pump 328 to the passageways 2723, 2727. When the cassette 820 is installed on the main instrument 810, the pinch valves 2716, 2718 extend through the openings 2725, 2733 in the front face 2745 to engage the passageways 2723, 2727, respectively.

[0354] It will be appreciated that, upon installing the cassette 820 on the main instrument 810 (as shown in FIGURE 24A), there is formed a fluid circuit that can be operated in a manner similar to that described above, in connection with the apparatus of FIGS. 9-10.

[0355] In view of the foregoing, it will be further appreciated that the various embodiments of the fluid handling and analysis apparatus 140 (comprising a main instrument 810 and cassette 820) depicted in FIGURES 22A-28 can serve as the fluid handling and analysis apparatus 140 of any of the sampling systems 100/300/500, or the fluid handling system 10, depicted in FIGURES 1-5 herein. In addition, the fluid handling and analysis apparatus 140 of FIGURES 22A-28 can, in certain embodiments, be similar to the apparatus 140 of FIGURES 1-2 or 8-10, except as further described above.

SECTION V - METHODS FOR DETERMINING ANALYTE CONCENTRATIONS FROM SAMPLE SPECTRA

[0356] This section discusses a number of computational methods or algorithms which may be used to calculate the concentration of the analyte(s) of interest in the sample S, and/or to compute other measures that may be used in support of calculations of analyte concentrations. Any one or combination of the algorithms disclosed in this section may reside as program instructions stored in the memory 212 so as to be accessible for execution by the processor 210 of the fluid handling and analysis apparatus 140 or analyte detection system 334 to compute the concentration of the analyte(s) of interest in the sample, or other relevant measures.

[0357] Several disclosed embodiments are devices and methods for analyzing material sample measurements and for quantifying one or more analytes in the presence of interferents. Interferents can comprise components of a material sample being analyzed for an analyte, where the presence of the interferent affects the quantification of the analyte. Thus, for example, in the spectroscopic analysis of a sample to determine an analyte concentration, an interferent could be a compound having spectroscopic features that overlap with those of the analyte. The presence of such an interferent can introduce errors in the quantification of the analyte. More specifically, the presence of interferents can affect the sensitivity of a measurement technique to the concentration of analytes of interest in a material sample, especially when the system is calibrated in the absence of, or with an unknown amount of, the interferent.

[0358] Independently of or in combination with the attributes of interferents described above, interferents can be classified as being endogenous (i.e., originating within the body) or exogenous (i.e., introduced from or produced outside the body). As example of these classes of interferents, consider the analysis of a blood sample (or a blood component sample or a blood plasma sample) for the analyte glucose. Endogenous interferents include those blood components having origins within the body that affect the quantification of glucose, and may include water, hemoglobin, blood cells, and any other component that naturally occurs in blood. Exogenous interferents include those blood components having origins outside of the body that affect the quantification of glucose, and can include items administered to a person, such as medicaments, drugs, foods or herbs, whether administered orally, intravenously, topically, etc.

[0359] Independently of or in combination with the attributes of interferents described above, interferents can comprise components which are possibly but not necessarily present in the sample type under analysis. In the example of analyzing samples of blood or blood plasma drawn from patients who are receiving medical treatment, a medicament such as acetaminophen is possibly, but not necessarily present in this sample type. In contrast, water is necessarily present in such blood or plasma samples.

[0360] To facilitate an understanding of the inventions, embodiments are discussed herein where one or more analyte concentrations are obtained using spectroscopic

measurements of a sample at wavelengths including one or more wavelengths that are identified with the analyte(s). The embodiments disclosed herein are not meant to limit, except as claimed, the scope of certain disclosed inventions which are directed to the analysis of measurements in general.

[0361] As an example, certain disclosed methods are used to quantitatively estimate the concentration of one specific compound (an analyte) in a mixture from a measurement, where the mixture contains compounds (interferents) that affect the measurement. Certain disclosed embodiments are particularly effective if each analyte and interferent component has a characteristic signature in the measurement, and if the measurement is approximately affine (i.e., includes a linear component and an offset) with respect to the concentration of each analyte and interferent. In one embodiment, a method includes a calibration process including an algorithm for estimating a set of coefficients and an offset value that permits the quantitative estimation of an analyte. In another embodiment, there is provided a method for modifying hybrid linear algorithm (HLA) methods to accommodate a random set of interferents, while retaining a high degree of sensitivity to the desired component. The data employed to accommodate the random set of interferents are (a) the signatures of each of the members of the family of potential additional components and (b) the typical quantitative level at which each additional component, if present, is likely to appear.

[0362] Certain methods disclosed herein are directed to the estimation of analyte concentrations in a material sample in the possible presence of an interferent. In certain embodiments, any one or combination of the methods disclosed herein may be accessible and executable processor **210** of system **334**. Processor **210** may be connected to a computer network, and data obtained from system **334** can be transmitted over the network to one or more separate computers that implement the methods. The disclosed methods can include the manipulation of data related to sample measurements and other information supplied to the methods (including, but not limited to, interferent spectra, sample population models, and threshold values, as described subsequently). Any or all of this information, as well as specific algorithms, may be updated or changed to improve the method or provide additional information, such as additional analytes or interferents.

[0363] Certain disclosed methods generate a “calibration constant” that, when multiplied by a measurement, produces an estimate of an analyte concentration. Both the calibration constant and measurement can comprise arrays of numbers. The calibration constant is calculated to minimize or reduce the sensitivity of the calibration to the presence of interferents that are identified as possibly being present in the sample. Certain methods described herein generate a calibration constant by: 1) identifying the presence of possible interferents; and 2) using information related to the identified interferents to generate the calibration constant. These certain methods do not require that the information related to the interferents includes an estimate of the interferent concentration - they merely require that the interferents be identified as possibly present. In one embodiment, the method uses a set of training spectra each having known analyte concentration(s) and produces a calibration that minimizes the variation in estimated analyte concentration with interferent concentration. The resulting calibration constant is proportional to analyte concentration(s) and, on average, is not responsive to interferent concentrations.

[0364] In one embodiment, it is not required (though not prohibited either) that the training spectra include any spectrum from the individual whose analyte concentration is to be determined. That is, the term “training” when used in reference to the disclosed methods does not require training using measurements from the individual whose analyte concentration will be estimated (e.g., by analyzing a bodily fluid sample drawn from the individual).

[0365] Several terms are used herein to describe the estimation process. As used herein, the term “Sample Population” is a broad term and includes, without limitation, a large number of samples having measurements that are used in the computation of a calibration – in other words, used to train the method of generating a calibration. For an embodiment involving the spectroscopic determination of glucose concentration, the Sample Population measurements can each include a spectrum (analysis measurement) and a glucose concentration (analyte measurement). In one embodiment, the Sample Population measurements are stored in a database, referred to herein as a “Population Database.”

[0366] The Sample Population may or may not be derived from measurements of material samples that contain interferents to the measurement of the analyte(s) of interest.

One distinction made herein between different interferents is based on whether the interferent is present in both the Sample Population and the sample being measured, or only in the sample. As used herein, the term "Type-A interferent" refers to an interferent that is present in both the Sample Population and in the material sample being measured to determine an analyte concentration. In certain methods it is assumed that the Sample Population includes only interferents that are endogenous, and does not include any exogenous interferents, and thus Type-A interferents are endogenous. The number of Type-A interferents depends on the measurement and analyte(s) of interest, and may number, in general, from zero to a very large number. The material sample being measured, for example sample S, may also include interferents that are not present in the Sample Population. As used herein, the term "Type-B interferent" refers to an interferent that is either: 1) not found in the Sample Population but that is found in the material sample being measured (e.g., an exogenous interferent), or 2) is found naturally in the Sample Population, but is at abnormally high concentrations in the material sample (e.g., an endogenous interferent). Examples of a Type-B exogenous interferent may include medications, and examples of Type-B endogenous interferents may include urea in persons suffering from renal failure. In the example of mid-IR spectroscopic absorption measurement of glucose in blood, water is found in all blood samples, and is thus a Type-A interferent. For a Sample Population made up of individuals who are not taking intravenous drugs, and a material sample taken from a hospital patient who is being administered a selected intravenous drug, the selected drug is a Type-B interferent.

[0367] In one embodiment, a list of one or more possible Type-B Interferents is referred to herein as forming a "Library of Interferents," and each interferent in the library is referred to as a "Library Interferent." The Library Interferents include exogenous interferents and endogenous interferents that may be present in a material sample due, for example, to a medical condition causing abnormally high concentrations of the endogenous interferent.

[0368] In addition to components naturally found in the blood, the ingestion or injection of some medicines or illicit drugs can result in very high and rapidly changing concentrations of exogenous interferents. This results in problems in measuring analytes in blood of hospital or emergency room patients. An example of overlapping spectra of blood components and medicines is illustrated in FIGURE 29 as the absorption coefficient at the

same concentration and optical pathlength of pure glucose and three spectral interferents, specifically mannitol (chemical formula: hexane-1,2,3,4,5,6-hexaol), N acetyl L cysteine, dextran, and procainamide (chemical formula: 4-amino-N-(2-diethylaminoethyl)benzamid). FIGURE 30 shows the logarithm of the change in absorption spectra from a Sample Population blood composition as a function of wavelength for blood containing additional likely concentrations of components, specifically, twice the glucose concentration of the Sample Population and various amounts of mannitol, N acetyl L cysteine, dextran, and procainamide. The presence of these components is seen to affect absorption over a wide range of wavelengths. It can be appreciated that the determination of the concentration of one species without a priori knowledge or independent measurement of the concentration of other species is problematic.

[0369] One method for estimating the concentration of an analyte in the presence of interferents is presented in flowchart 3100 of FIGURE 31 as a first step (Block 3110) where a measurement of a sample is obtained, a second step (Block 3120), where the obtained measurement data is analyzed to identify possible interferents to the analyte, a third step (Block 3130) where a model is generated for predicting the analyte concentration in the presence of the identified possible interferents, and a fourth step (Block 3140) where the model is used to estimate the analyte concentration in the sample from the measurement. Preferably the step of Block 3130 generates a model where the error is minimized for the presence of the identified interferents that are not present in a general population of which the sample is a member.

[0370] The method Blocks 3110, 3120, 3130, and 3140 may be repeatedly performed for each analyte whose concentration is required. If one measurement is sensitive to two or more analytes, then the methods of Blocks 3120, 3130, and 3140 may be repeated for each analyte. If each analyte has a separate measurement, then the methods of Blocks 3110, 3120, 3130, and 3140 may be repeated for each analyte.

[0371] An embodiment of the method of flowchart 3100 for the determination of an analyte from spectroscopic measurements will now be discussed. Further, this embodiment will estimate the amount of glucose concentration in blood sample S, without limit to the scope of the inventions disclosed herein. In one embodiment, the measurement of

Block **3110** is an absorbance spectrum, $C_s(\lambda_i)$, of a measurement sample **S** that has, in general, one analyte of interest, glucose, and one or more interferents. In one embodiment, the methods include generating a calibration constant $\kappa(\lambda_i)$ that, when multiplied by the absorbance spectrum $C_s(\lambda_i)$, provides an estimate, g_{est} , of the glucose concentration g_s .

[0372] As described subsequently, one embodiment of Block **3120** includes a statistical comparison of the absorbance spectrum of sample **S** with a spectrum of the Sample Population and combinations of individual Library Interferent spectra. After the analysis of Block **3120**, a list of Library Interferents that are possibly contained in sample **S** has been identified and includes, depending on the outcome of the analysis of Block **3120**, either no Library Interferents, or one or more Library Interferents. Block **3130** then generates a large number of spectra using the large number of spectra of the Sample Population and their respective known analyte concentrations and known spectra of the identified Library Interferents. Block **3130** then uses the generated spectra to generate a calibration constant matrix to convert a measured spectrum to an analyte concentration that is the least sensitive to the presence of the identified Library Interferents. Block **3140** then applies the generated calibration constant to predict the glucose concentration in sample **S**.

[0373] As indicated in Block **3110**, a measurement of a sample is obtained. For illustrative purposes, the measurement, $C_s(\lambda_i)$, is assumed to be a plurality of measurements at different wavelengths, or analyzed measurements, on a sample indicating the intensity of light that is absorbed by sample **S**. It is to be understood that spectroscopic measurements and computations may be performed in one or more domains including, but not limited to, the transmittance, absorbance and/or optical density domains. The measurement $C_s(\lambda_i)$ is an absorption, transmittance, optical density or other spectroscopic measurement of the sample at selected wavelength or wavelength bands. Such measurements may be obtained, for example, using analyte detection system **334**. In general, sample **S** contains Type-A interferents, at concentrations preferably within the range of those found in the Sample Population.

[0374] In one embodiment, absorbance measurements are converted to pathlength normalized measurements. Thus, for example, the absorbance is converted to optical density by dividing the absorbance by the optical pathlength, L , of the measurement. In one

embodiment, the pathlength L is measured from one or more absorption measurements on known compounds. Thus, in one embodiment, one or more measurements of the absorption through a sample S of water or saline solutions of known concentration are made and the pathlength, L , is computed from the resulting absorption measurement(s). In another embodiment, absorption measurements are also obtained at portions of the spectrum that are not appreciably affected by the analytes and interferents, and the analyte measurement is supplemented with an absorption measurement at those wavelengths.

[0375] Some methods are "pathlength insensitive," in that they can be used even when the precise pathlength is not known beforehand. The sample can be placed in the sample chamber 903 or 2464, sample element 1730 or 2448, or in a cuvette or other sample container. Electromagnetic radiation (in the mid-infrared range, for example) can be emitted from a radiation source so that the radiation travels through the sample chamber. A detector can be positioned where the radiation emerges, on the other side of the sample chamber from the radiation source, for example. The distance the radiation travels through the sample can be referred to as a "pathlength." In some embodiments, the radiation detector can be located on the same side of the sample chamber as the radiation source, and the radiation can reflect off one or more internal walls of the sample chamber before reaching the detector.

[0376] As discussed above, various substances can be inserted into the sample chamber. For example, a reference fluid such as water or saline solution can be inserted, in addition to a sample or samples containing an analyte or analytes. In some embodiments, a saline reference fluid is inserted into the sample chamber and radiation is emitted through that reference fluid. The detector measures the amount and/or characteristics of the radiation that passes through the sample chamber and reference fluid without being absorbed or reflected. The measurement taken using the reference fluid can provide information relating to the pathlength traveled by the radiation. For example, data may already exist from previous measurements that have been taken under similar circumstances. That is, radiation can be emitted previously through sample chambers with various known pathlengths to establish reference data that can be arranged in a "look-up table," for example. With reference fluid in the sample chamber, a one-to-one correspondence can be experimentally established between various detector readings and various pathlengths, respectively. This

correspondence can be recorded in the look-up table, which can be recorded in a computer database or in electronic memory, for example.

[0377] One method of determining the radiation pathlength can be accomplished with a thin, empty sample chamber. In particular, this approach can determine the thickness of a narrow sample chamber or cell with two reflective walls. (Because the chamber will be filled with a sample, this same thickness corresponds to the "pathlength" radiation will travel through the sample). A range of radiation wavelengths can be emitted in a continuous manner through the cell or sample chamber. The radiation can enter the cell and reflect off the interior cell walls, bouncing back and forth between those walls one or multiple times before exiting the cell and passing into the radiation detector. This can create a periodic interference pattern or "fringe" with repeating maxima and minima. This periodic pattern can be plotted where the horizontal axis is a range of wavelengths and the vertical axis is a range of transmittance, measured as a percentage of total transmittance, for example. The maxima occur when the radiation reflected off of the two internal surfaces of the cell has traveled a distance that is an integral multiple N of the wavelength of the radiation that was transmitted without reflection. Constructive interference occurs whenever the wavelength is equal to $2b/N$, where " b " is the thickness (or pathlength) of the cell. Thus, if ΔN is the number of maxima in this fringe pattern for a given range of wavelengths λ_1 - λ_2 , then the thickness of the cell b is provided by the following relation: $b = \Delta N / 2(\lambda_1 - \lambda_2)$. This approach can be especially useful when the refractive index of the material within the sample chamber or fluid cell is not the same as the refractive index of the walls of the cell, because this condition improves reflection.

[0378] Once the pathlength has been determined, it can be used to calculate or determine a reference value or a reference spectrum for the interferents (such as protein or water) that may be present in a sample. For example, both an analyte such as glucose and an interferent such as water may absorb radiation at a given wavelength. When the source emits radiation of that wavelength and the radiation passes through a sample containing both the analyte and the interferent, both the analyte and the interferent absorb the radiation. The total absorption reading of the detector is thus fully attributable to neither the analyte nor the interferent, but a combination of the two. However, if data exists relating to how much

radiation of a given wavelength is absorbed by a given interferent when the radiation passes through a sample with a given pathlength, the contribution of the interferent can be subtracted from the total reading of the detector and the remaining value can provide information regarding concentration of the analyte in the sample. A similar approach can be taken for a whole spectrum of wavelengths. If data exists relating to how much radiation is absorbed by an interferent over a range of wavelengths when the radiation passes through a sample with a given pathlength, the interferent absorbance spectrum can be subtracted from the total absorbance spectrum, leaving only the analyte's absorbance spectrum for that range of wavelengths. If the interferent absorption data is taken for a range of possible pathlengths, it can be helpful to determine the pathlength of a particular sample chamber first so that the correct data can be found for samples measured in that sample chamber.

[0379] This same process can be applied iteratively or simultaneously for multiple interferents and/or multiple analytes. For example, the water absorbance spectrum and the protein absorbance spectrum can both be subtracted to leave behind the glucose absorbance spectrum.

[0380] The pathlength can also be calculated using an isosbestic wavelength. An isosbestic wavelength is one at which all components of a sample have the same absorbance. If the components (and their absorption coefficients) in a particular sample are known, and one or multiple isosbestic wavelengths are known for those particular components, the absorption data collected by the radiation detector at those isosbestic wavelengths can be used to calculate the pathlength. This can be advantageous because the needed information can be obtained from multiple readings of the absorption detector that are taken at approximately the same time, with the same sample in place in the sample chamber. The isosbestic wavelength readings are used to determine pathlength, and other selected wavelength readings are used to determine interferent and/or analyte concentration. Thus, this approach is efficient and does not require insertion of a reference fluid in the sample chamber.

[0381] In some embodiments, a method of determining concentration of an analyte in a sample can include inserting a fluid sample into a sample container, emitting radiation from a source through the container and the fluid sample, obtaining total sample

absorbance data by measuring the amount of radiation that reaches the detector, subtracting the correct interferent absorbance value or spectrum from the total sample absorbance data, and using the remaining absorbance value or spectrum to determine concentration of an analyte in the fluid sample. The correct interferent absorbance value can be determined using the calculated pathlength.

[0382] The concentration of an analyte in a sample can be calculated using the Beer-Lambert law (or Beer's Law) as follows: If T is transmittance, A is absorbance, P_0 is initial radiant power directed toward a sample, and P is the power that emerges from the sample and reaches a detector, then $T = P / P_0$, and $A = -\log T = \log (P_0 / P)$. Absorbance is directly proportional to the concentration (c) of the light-absorbing species in the sample, also known as an analyte or an interferent. Thus, if e is the molar absorptivity ($1/M$ $1/cm$), b is the path length (cm), and c is the concentration (M), Beer's Law can be expressed as follows: $A = e b c$. Thus, $c = A/(e b)$.

[0383] Referring once again to flowchart 3100, the next step is to determine which Library Interferents are present in the sample. In particular, Block 3120 indicates that the measurements are analyzed to identify possible interferents. For spectroscopic measurements, it is preferred that the determination is made by comparing the obtained measurement to interferent spectra in the optical density domain. The results of this step provide a list of interferents that may, or are likely to, be present in the sample. In one embodiment, several input parameters are used to estimate a glucose concentration g_{est} from a measured spectrum, C_s . The input parameters include previously gathered spectrum measurement of samples that, like the measurement sample, include the analyte and combinations of possible interferents from the interferent library; and spectrum and concentration ranges for each possible interferent. More specifically, the input parameters are:

[0384] Library of Interferent Data: Library of Interferent Data includes, for each of "M" interferents, the absorption spectrum of each interferent, $IF = \{IF1, IF2, \dots, IFM\}$, where $m = 1, 2, \dots, M$; and a maximum concentration for each interferent, $T_{max} = \{T_{max1}, T_{max2}, \dots, T_{maxM}\}$; and

[0385] Sample Population Data: Sample Population Data includes individual spectra of a statistically large population taken over the same wavelength range as the sample spectrum, C_{si} , and an analyte concentration corresponding to each spectrum. As an example, if there are N Sample Population spectra, then the spectra can be represented as $C = \{C_1, C_2, \dots, C_N\}$, where $n = 1, 2, \dots, N$, and the analyte concentration corresponding to each spectrum can be represented as $g = \{g_1, g_2, \dots, g_N\}$.

[0386] Preferably, the Sample Population does not have any of the M interferents present, and the material sample has interferents contained in the Sample Population and none or more of the Library Interferents. Stated in terms of Type-A and Type-B interferents, the Sample Population has Type-A interferents and the material sample has Type-A and may have Type-B interferents. The Sample Population Data are used to statistically quantify an expected range of spectra and analyte concentrations. Thus, for example, for a system **10** or **334** used to determine glucose in blood of a person having unknown spectral characteristics, the spectral measurements are preferably obtained from a statistical sample of the population.

[0387] The following discussion, which is not meant to limit the scope of the present disclosure, illustrates embodiments for measuring more than one analyte using spectroscopic techniques. If two or more analytes have non-overlapping spectral features, then a first embodiment is to obtain a spectrum corresponding to each analyte. The measurements may then be analyzed for each analyte according to the method of flowchart **3100**. An alternative embodiment for analytes having non-overlapping features, or an embodiment for analytes having overlapping features, is to make one measurement comprising the spectral features of the two or more analytes. The measurement may then be analyzed for each analyte according to the method of flowchart **3100**. That is, the measurement is analyzed for each analyte, with the other analytes considered to be interferents to the analyte being analyzed for.

INTERFERENT DETERMINATION

[0388] One embodiment of the method of Block **3120** is shown in greater detail with reference to the flowchart of FIGURE 32. The method includes forming a statistical Sample Population model (Block **3210**), assembling a library of interferent data (Block **3220**), comparing the obtained measurement and statistical Sample Population model with

data for each interferent from an interferent library (Block 3230), performing a statistical test for the presence of each interferent from the interferent library (Block 3240), and identifying each interferent passing the statistical test as a possible Library Interferent (Block 3250). The steps of Block 3220 can be performed once or can be updated as necessary. The steps of Blocks 3230, 3240, and 3250 can either be performed sequentially for all interferents of the library, as shown, or alternatively, be repeated sequentially for each interferent.

[0389] One embodiment of each of the methods of Blocks 3210, 3220, 3230, 3240, and 3250 are now described for the example of identifying Library Interferents in a sample from a spectroscopic measurement using Sample Population Data and a Library of Interferent Data, as discussed previously. Each Sample Population spectrum includes measurements (e.g., of optical density) taken on a sample in the absence of any Library Interferents and has an associated known analyte concentration. A statistical Sample Population model is formed (Block 3210) for the range of analyte concentrations by combining all Sample Population spectra to obtain a mean matrix and a covariance matrix for the Sample Population. Thus, for example, if each spectrum at n different wavelengths is represented by an $n \times 1$ matrix, C , then the mean spectrum, μ , is a $n \times 1$ matrix with the (e.g., optical density) value at each wavelength averaged over the range of spectra, and the covariance matrix, V , is the expected value of the deviation between C and μ as $V = E((C - \mu)(C - \mu)^T)$. The matrices μ and V are one model that describes the statistical distribution of the Sample Population spectra.

[0390] In another step, Library Interferent information is assembled (Block 3220). A number of possible interferents are identified, for example as a list of possible medications or foods that might be ingested by the population of patients at issue or measured by system 10 or 334, and their spectra (in the absorbance, optical density, or transmission domains) are obtained. In addition, a range of expected interferent concentrations in the blood, or other expected sample material, are estimated. Thus, each of M interferents has spectrum IF and maximum concentration T_{max} . This information is preferably assembled once and is accessed as needed.

[0391] The obtained measurement data and statistical Sample Population model are next compared with data for each interferent from the interferent library (Block 3230) to

perform a statistical test (Block 3240) to determine the identity of any interferent in the mixture (Block 3250). This interferent test will first be shown in a rigorous mathematical formulation, followed by a discussion of FIGURES 33A and 33B which illustrates the method.

[0392] Mathematically, the test of the presence of an interferent in a measurement proceeds as follows. The measured optical density spectrum, C_s , is modified for each interferent of the library by analytically subtracting the effect of the interferent, if present, on the measured spectrum. More specifically, the measured optical density spectrum, C_s , is modified, wavelength-by-wavelength, by subtracting an interferent optical density spectrum. For an interferent, M , having an absorption spectrum per unit of interferent concentration, IF_M , a modified spectrum is given by $C'_s(T) = C_s - IF_M T$, where T is the interferent concentration, which ranges from a minimum value, T_{min} , to a maximum value T_{max} . The value of T_{min} may be zero or, alternatively, be a value between zero and T_{max} , such as some fraction of T_{max} .

[0393] Next, the Mahalanobis distance (MD) between the modified spectrum $C'_s(T)$ and the statistical model (μ, V) of the Sample Population spectra is calculated as:

$$[0394] \quad MD^2(C'_s(T), \mu; \rho_s) = (C_s - (T IF_m) - \mu)^T V^{-1} (C_s - (T IF_m) - \mu) \quad \text{Eq. (1)}$$

[0395] The test for the presence of interferent IF is to vary T from T_{min} to T_{max} (i.e., evaluate $C'_s(T)$ over a range of values of T) and determine whether the minimum MD in this interval is in a predetermined range. Thus for example, one could determine whether the minimum MD in the interval is sufficiently small relative to the quantiles of a χ^2 random variable with L degrees of freedom ($L = \text{number of wavelengths}$).

[0396] FIGURE 33A is a graph 3300 illustrating the steps of Blocks 3230 and 3240. The axes of graph 3300, OD_i and OD_j , are used to plot optical densities at two of the many wavelengths at which measurements are obtained. The points 3301 are the measurements in the Sample Population distribution. Points 3301 are clustered within an ellipse that has been drawn to encircle the majority of points. Points 3301 inside ellipse 3302 represent measurements in the absence of Library Interferents. Point 3303 is the sample measurement. Presumably, point 3303 is outside of the spread of points 3301 due the

presence of one or more Library Interferents. Lines 3304, 3307, and 3309 indicate the measurement of point 3303 as corrected for increasing concentration, T, of three different Library Interferents over the range from T_{min} to T_{max}. The three interferents of this example are referred to as interferent #1, interferent #2, and interferent #3. Specifically, lines 3304, 3307, and 3309 are obtained by subtracting from the sample measurement an amount T of a Library Interferent (interferent #1, interferent #2, and interferent #3, respectively), and plotting the corrected sample measurement for increasing T.

[0397] FIGURE 33B is a graph further illustrating the method of FIGURE 32. In the graph of FIGURE 33B, the squared Mahalanobis distance, MD² has been calculated and plotted as a function of t for lines 3304, 3307, and 3309. Referring to FIGURE 33A, line 3304 reflects decreasing concentrations of interferent #1 and only slightly approaches points 3301. The value of MD² of line 3304, as shown in FIGURE 33B, decreases slightly and then increases with decreasing interferent #1 concentration.

[0398] Referring to FIGURE 33A, line 3307 reflects decreasing concentrations of interferent #2 and approaches or passes through many points 3301. The value of MD² of line 3307, as shown in FIGURE 33B, shows a large decrease at some interferent #2 concentration, then increases. Referring to FIGURE 33A, line 3309 has decreasing concentrations of interferent #3 and approaches or passes through even more points 3303. The value of MD² of line 3309, as shown in FIGURE 33B, shows a still larger decrease at some interferent #3 concentration.

[0399] In one embodiment, a threshold level of MD² is set as an indication of the presence of a particular interferent. Thus, for example, FIGURE 33B shows a line labeled "original spectrum" indicating MD² when no interferents are subtracted from the spectrum, and a line labeled "95% Threshold", indicating the 95% quantile for the chi² distribution with L degrees of freedom (where L is the number of wavelengths represented in the spectra). This level is the value which should exceed 95% of the values of the MD² metric; in other words, values at this level are uncommon, and those far above it should be quite rare. Of the three interferents represented in FIGURES 33A and 33B, only interferent #3 has a value of MD² below the threshold. Thus, this analysis of the sample indicates that interferent #3 is the most likely interferent present in the sample. Interferent #1 has its minimum far above the

threshold level and is extremely unlikely to be present; interferent #2 barely crosses the threshold, making its presence more likely than interferent #1, but still far less likely to be present than interferent #1.

[0400] As described subsequently, information related to the identified interferences is used in generating a calibration constant that is relatively insensitive to a likely range of concentration of the identified interferences. In addition to being used in certain methods described subsequently, the identification of the interferences may be of interest and may be provided in a manner that would be useful. Thus, for example, for a hospital based glucose monitor, identified interferences may be reported on display 141 or be transmitted to a hospital computer via communications link 216.

CALIBRATION CONSTANT GENERATION EMBODIMENTS

[0401] Once Library Interferences are identified as being possibly present in the sample under analysis, a calibration constant for estimating the concentration of analytes in the presence of the identified interferences is generated (Block 3130). More specifically, after Block 3120, a list of possible Library Interferences is identified as being present. One embodiment of the steps of Block 3120 are shown in the flowchart of FIGURE 34 as Block 3410, where synthesized Sample Population measurements are generated, Block 3420, where the synthesized Sample Population measurements are partitioned in to calibration and test sets, Block 3430, where the calibration are is used to generate a calibration constant, Block 3440, where the calibration set is used to estimate the analyte concentration of the test set, Block 3450 where the errors in the estimated analyte concentration of the test set is calculated, and Block 3460 where an average calibration constant is calculated.

[0402] One embodiment of each of the methods of Blocks 3410, 3420, 3430, 3440, 3450, and 3460 are now described for the example of using identifying interferences in a sample for generating an average calibration constant. As indicated in Block 3410, one step is to generate synthesized Sample Population spectra, by adding a random concentration of possible Library Interferences to each Sample Population spectrum. The spectra generated by the method of Block 3410 are referred to herein as an Interferent-Enhanced Spectral Database, or IESD. The IESD can be formed by the steps illustrated in FIGURES 35-38, where FIGURE 35 is a schematic diagram 3500 illustrating the generation of Randomly-

Scaled Single Interferent Spectra, or RSIS; FIGURE 36 is a graph 3600 of the interferent scaling; FIGURE 37 is a schematic diagram illustrating the combination of RSIS into Combination Interferent Spectra, or CIS; and FIGURE 38 is a schematic diagram illustrating the combination of CIS and the Sample Population spectra into an IESD.

[0403] The first step in Block 3410 is shown in FIGURES 35 and 36. As shown schematically in flowchart 3500 in FIGURE 35, and in graph 3600 in FIGURE 36, a plurality of RSIS (Block 3540) are formed by combinations of each previously identified Library Interferent having spectrum IF_m (Block 3510), multiplied by the maximum concentration T_{max_m} (Block 3520) that is scaled by a random factor between zero and one (Block 3530), as indicated by the distribution of the random number indicated in graph 3600. In one embodiment, the scaling places the maximum concentration at the 95th percentile of a log-normal distribution to produce a wide range of concentrations with the distribution having a standard deviation equal to half of its mean value. The distribution of the random numbers in graph 3600 are a log-normal distribution of $\mu=100$, $\sigma=50$.

[0404] Once the individual Library Interferent spectra have been multiplied by the random concentrations to produce the RSIS, the RSIS are combined to produce a large population of interferent-only spectra, the CIS, as illustrated in FIGURE 37. The individual RSIS are combined independently and in random combinations, to produce a large family of CIS, with each spectrum within the CIS consisting of a random combination of RSIS, selected from the full set of identified Library Interferents. The method illustrated in FIGURE 37 produces adequate variability with respect to each interferent, independently across separate interferents.

[0405] The next step combines the CIS and replicates of the Sample Population spectra to form the IESD, as illustrated in FIGURE 38. Since the Interferent Data and Sample Population spectra may have been obtained at different pathlengths, the CIS are first scaled (i.e., multiplied) to the same pathlength. The Sample Population database is then replicated M times, where M depends on the size of the database, as well as the number of interferents to be treated. The IESD includes M copies of each of the Sample Population spectra, where one copy is the original Sample Population Data, and the remaining M-1 copies each have an

added random one of the CIS spectra. Each of the IESD spectra has an associated analyte concentration from the Sample Population spectra used to form the particular IESD spectrum.

[0406] In one embodiment, a 10-fold replication of the Sample Population database is used for 130 Sample Population spectra obtained from 58 different individuals and 18 Library Interferents. Greater spectral variety among the Library Interferent spectra requires a smaller replication factor, and a greater number of Library Interferents requires a larger replication factor.

[0407] The steps of Blocks 3420, 3430, 3440, and 3450 are executed to repeatedly combine different ones of the spectra of the IESD to statistically average out the effect of the identified Library Interferents. First, as noted in Block 3420, the IESD is partitioned into two subsets: a calibration set and a test set. As described subsequently, the repeated partitioning of the IESD into different calibration and test sets improves the statistical significance of the calibration constant. In one embodiment, the calibration set is a random selection of some of the IESD spectra and the test set are the unselected IESD spectra. In a preferred embodiment, the calibration set includes approximately two-thirds of the IESD spectra.

[0408] In an alternative embodiment, the steps of Blocks 3420, 3430, 3440, and 3450 are replaced with a single calculation of an average calibration constant using all available data.

[0409] Next, as indicted in Block 3430, the calibration set is used to generate a calibration constant for predicting the analyte concentration from a sample measurement. First an analyte spectrum is obtained. For the embodiment of glucose determined from absorption measurements, a glucose absorption spectrum is indicated as \mathbf{a}_G . The calibration constant is then generated as follows. Using the calibration set having calibration spectra $\mathbf{C} = \{C_1, C_2, \dots, C_n\}$ and corresponding glucose concentration values $\mathbf{G} = \{g_1, g_2, \dots, g_n\}$, then glucose-free spectra $\mathbf{C}' = \{C'_1, C'_2, \dots, C'_n\}$ can be calculated as: $C'_j = C_j - \mathbf{a}_G g_j$. Next, the calibration constant, κ , is calculated from \mathbf{C}' and \mathbf{a}_G , according to the following 5 steps:

- 1) \mathbf{C}' is decomposed into $\mathbf{C}' = \mathbf{A}_{\mathbf{C}'} \Delta_{\mathbf{C}'} \mathbf{B}_{\mathbf{C}'}$, that is, a singular value decomposition, where the A-factor is an orthonormal basis of column space, or span, of \mathbf{C}' ;
- 2) $\mathbf{A}_{\mathbf{C}'}$ is truncated to avoid overfitting to a particular column rank r , based on the sizes of the diagonal entries of Δ (the singular values of \mathbf{C}'). The selection of r

involves a trade-off between the precision and stability of the calibration, with a larger r resulting in a more precise but less stable solution. In one embodiment, each spectrum C includes 25 wavelengths, and r ranges from 15 to 19;

- 3) The first r columns of A_C are taken as an orthonormal basis of $\text{span}(C)$;
- 4) The projection from the background is found as the product $P_C = A_C A_C^T$, that is the orthogonal projection onto the span of C , and the complementary, or nulling projection $P_C^\perp = 1 - P_C$, which forms the projection onto the complementary subspace C^\perp , is calculated; and
- 5) The calibration vector κ is then found by applying the nulling projection to the absorption spectrum of the analyte of interest: $\kappa_{\text{RAW}} = P_C^\perp a_G$, and normalizing: $\kappa = \kappa_{\text{RAW}} / \langle \kappa_{\text{RAW}}, a_G \rangle$, where the angle brackets \langle, \rangle denote the standard inner (or dot) product of vectors. The normalized calibration constant produces a unit response for a unit a_G spectral input for one particular calibration set.

[0410] Next, the calibration constant is used to estimate the analyte concentration in the test set (Block 3440). Specifically, each spectrum of the test set (each spectrum having an associated glucose concentration from the Sample Population spectra used to generate the test set) is multiplied by the calibration vector κ from Block 3430 to calculate an estimated glucose concentration. The error between the calculated and known glucose concentration is then calculated (Block 3450). Specifically, the measure of the error can include a weighted value averaged over the entire test set according to $1/\text{rms}^2$.

[0411] Blocks 3420, 3430, 3440, and 3450 are repeated for many different random combinations of calibration sets. Preferably, Blocks 3420, 3430, 3440, and 3450 are repeated hundreds to thousands of times. Finally, an average calibration constant is calculated from the calibration and error from the many calibration and test sets (Block 3460). Specifically, the average calibration is computed as weighted average calibration vector. In one embodiment the weighting is in proportion to a normalized rms, such as the $\kappa_{\text{ave}} = \kappa * \text{rms}^2 / \Sigma(\text{rms}^2)$ for all tests.

[0412] With the last of Block 3130 executed according to FIGURE 34, the average calibration constant κ_{ave} is applied to the obtained spectrum (Block 3140).

[0413] Accordingly, one embodiment of a method of computing a calibration constant based on identified interferences can be summarized as follows:

1. Generate synthesized Sample Population spectra by adding the RSIS to raw (interferent-free) Sample Population spectra, thus forming an Interferent Enhanced Spectral Database (IESD) -- each spectrum of the IESD is synthesized from one spectrum of the Sample Population, and thus each spectrum of the IESD has at least one associated known analyte concentration
2. Separate the spectra of the IESD into a calibration set of spectra and a test set of spectra
3. Generate a calibration constant for the calibration set based on the calibration set spectra and their associated known correct analyte concentrations (e.g., using the matrix manipulation outlined in five steps above)
4. Use the calibration constant generated in step 3 to calculate the error in the corresponding test set as follows (repeat for each spectrum in the test set):
 - a. Multiply (the selected test set spectrum) x (average calibration constant generated in step 3) to generate an estimated glucose concentration
 - b. Evaluate the difference between this estimated glucose concentration and the known, correct glucose concentration associated with the selected test spectrum to generate an error associated with the selected test spectrum
5. Average the errors calculated in step 4 to arrive at a weighted or average error for the current calibration set - test set pair
6. Repeat steps 2 through 5 n times, resulting in n calibration constants and n average errors
7. Compute a "grand average" error from the n average errors and an average calibration constant from the n calibration constants (preferably weighted averages wherein the largest average errors and calibration constants are discounted), to arrive at a calibration constant which is minimally sensitive to the effect of the identified interferences

EXAMPLE 1

[0414] One example of certain methods disclosed herein is illustrated with reference to the detection of glucose in blood using mid-IR absorption spectroscopy. Table 2 lists 10 Library Interferents (each having absorption features that overlap with glucose) and the corresponding maximum concentration of each Library Interferent. Table 2 also lists a Glucose Sensitivity to Interferent without and with training. The Glucose Sensitivity to Interferent is the calculated change in estimated glucose concentration for a unit change in interferent concentration. For a highly glucose selective analyte detection technique, this value is zero. The Glucose Sensitivity to Interferent without training is the Glucose Sensitivity to Interferent where the calibration has been determined using the methods above without any identified interferents. The Glucose Sensitivity to Interferent with training is the Glucose Sensitivity to Interferent where the calibration has been determined using the methods above with the appropriately identified interferents. In this case, least improvement (in terms of reduction in sensitivity to an interferent) occurs for urea, seeing a factor of 6.4 lower sensitivity, followed by three with ratios from 60 to 80 in improvement. The remaining six all have seen sensitivity factors reduced by over 100, up to over 1600. The decreased Glucose Sensitivity to Interferent with training indicates that the methods are effective at producing a calibration constant that is selective to glucose in the presence of interferents.

Library Interferent	Maximum Concentration	Glucose Sensitivity to Interferent w/o training	Glucose Sensitivity to Interferent w/ training
Sodium Bicarbonate	103	0.330	0.0002
Urea	100	-0.132	0.0206
Magnesium Sulfate	0.7	1.056	-0.0016
Naproxen	10	0.600	-0.0091
Uric Acid	12	-0.557	0.0108
Salicylate	10	0.411	-0.0050
Glutathione	100	0.041	0.0003
Niacin	1.8	1.594	-0.0086
Nicotinamide	12.2	0.452	-0.0026
Chlorpropamide	18.3	0.334	0.0012

Table 2. Rejection of 10 interfering substances

EXAMPLE 2

[0415] Another example illustrates the effect of the methods for 18 interferents. Table 3 lists of 18 interferents and maximum concentrations that were modeled for this example, and the glucose sensitivity to the interferent without and with training. The table summarizes the results of a series of 1000 calibration and test simulations that were performed both in the absence of the interferents, and with all interferents present. FIGURE 39 shows the distribution of the R.M.S. error in the glucose concentration estimation for 1000 trials. While a number of substances show significantly less sensitivity (sodium bicarbonate, magnesium sulfate, tolbutamide), others show increased sensitivity (ethanol, acetoacetate), as listed in Table 3. The curves in FIGURE 39 are for calibration set and the test set both without any interferents and with all 18 interferents. The interferent produces a degradation of performance, as can be seen by comparing the calibration or test curves of FIGURE 39. Thus, for example, the peaks appear to be shifted by about 2 mg/dL, and the width of the distributions is increased slightly. The reduction in height of the peaks is due to the spreading of the distributions, resulting in a modest degradation in performance.

	Library Interferent	Conc. (mg/dL)	Glucose Sensitivity to Interferent w/o training	Glucose Sensitivity to Interferent w/ training
1	Urea	300	-0.167	-0.100
2	Ethanol	400.15	-0.007	-0.044
3	Sodium Bicarbonate	489	0.157	-0.093
4	Acetoacetate Li	96	0.387	0.601
5	Hydroxybutyric Acid	465	-0.252	-0.101
6	Magnesium Sulfate	29.1	2.479	0.023
7	Naproxen	49.91	0.442	0.564
8	Salicylate	59.94	0.252	0.283
9	Ticarcillin Disodium	102	-0.038	-0.086
10	Cefazolin	119.99	-0.087	-0.006
11	Chlorpropamide	27.7	0.387	0.231
12	Nicotinamide	36.6	0.265	0.366
13	Uric Acid	36	-0.641	-0.712
14	Ibuprofen	49.96	-0.172	-0.125
15	Tolbutamide	63.99	0.132	0.004
16	Tolazamide	9.9	0.196	0.091
17	Bilirubin	3	-0.391	-0.266
18	Acetaminophen	25.07	0.169	0.126

Table 3. List of 18 Interfering Substances with maximum concentrations and Sensitivity with respect to interferents, with/without training

EXAMPLE 3

[0416] In a third example, certain methods disclosed herein were tested for measuring glucose in blood using mid-IR absorption spectroscopy in the presence of four interferents not normally found in blood (Type-B interferents) and that may be common for patients in hospital intensive care units (ICUs). The four Type-B interferents are mannitol, dextran, n-acetyl L cysteine, and procainamide.

[0417] Of the four Type-B interferents, mannitol and dextran have the potential to interfere substantially with the estimation of glucose: both are spectrally similar to glucose (see FIGURE 1), and the dosages employed in ICUs are very large in comparison to typical glucose levels. Mannitol, for example, may be present in the blood at concentrations of 2500 mg/dL, and dextran may be present at concentrations in excess of 5000 mg/dL. For comparison, typical plasma glucose levels are on the order of 100 – 200 mg/dL. The other Type-B interferents, n-acetyl L cysteine and procainamide, have spectra that are quite unlike the glucose spectrum.

[0418] FIGURES 40A, 40B, 40C, and 40D each have a graph showing a comparison of the absorption spectrum of glucose with different interferents taken using two different techniques: a Fourier Transform Infrared (FTIR) spectrometer having an interpolated resolution of 1 cm^{-1} (solid lines with triangles); and by 25 finite-bandwidth IR filters having a Gaussian profile and full-width half-maximum (FWHM) bandwidth of 28 cm^{-1} corresponding to a bandwidth that varies from 140 nm at $7.08 \mu\text{m}$, up to 279 nm at $10 \mu\text{m}$ (dashed lines with circles). Specifically, the figures show a comparison of glucose with mannitol (FIGURE 40A), with dextran (FIGURE 40B), with n-acetyl L cysteine (FIGURE 40C), and with procainamide (FIGURE 40D), at a concentration level of 1 mg/dL and path length of $1 \mu\text{m}$. The horizontal axis in FIGURES 40A-40D has units of wavelength in microns (μm), ranging from $7 \mu\text{m}$ to $10 \mu\text{m}$, and the vertical axis has arbitrary units.

[0419] The central wavelength of the data obtained using filter is indicated in FIGURES 40A, 40B, 40C, and 40D by the circles along each dashed curve, and corresponds

to the following wavelengths, in microns: 7.082, 7.158, 7.241, 7.331, 7.424, 7.513, 7.605, 7.704, 7.800, 7.905, 8.019, 8.150, 8.271, 8.598, 8.718, 8.834, 8.969, 9.099, 9.217, 9.346, 9.461, 9.579, 9.718, 9.862, and 9.990. The effect of the bandwidth of the filters on the spectral features can be seen in FIGURES 40A-40D as the decrease in the sharpness of spectral features on the solid curves and the relative absence of sharp features on the dashed curves.

[0420] FIGURE 41 shows a graph of the blood plasma spectra for 6 blood samples taken from three donors in arbitrary units for a wavelength range from 7 μm to 10 μm , where the symbols on the curves indicate the central wavelengths of the 25 filters. The 6 blood samples do not contain any mannitol, dextran, n-acetyl L cysteine, and procainamide – the Type-B interferences of this Example, and are thus a Sample Population. Three donors (indicated as donor A, B, and C) provided blood at different times, resulting in different blood glucose levels, shown in the graph legend in mg/dL as measured using a YSI Biochemistry Analyzer (YSI Incorporated, Yellow Springs, OH). The path length of these samples, estimated at 36.3 μm by analysis of the spectrum of a reference scan of saline in the same cell immediately prior to each sample spectrum, was used to normalize these measurements. This quantity was taken into account in the computation of the calibration vectors provided, and the application of these vectors to spectra obtained from other equipment would require a similar pathlength estimation and normalization process to obtain valid results.

[0421] Next, random amounts of each Type-B interferent of this Example are added to the spectra to produce mixtures that, for example could make up an Interferent Enhanced Spectral. Each of the Sample Population spectra was combined with a random amount of a *single* interferent added, as indicated in Table 4, which lists an index number N, the Donor, the glucose concentration (GLU), interferent concentration (conc(IF)), and the interferent for each of 54 spectra. The conditions of Table 4 were used to form combined spectra including each of the 6 plasma spectra was combined with 2 levels of each of the 4 interferences.

N	Donor	GLU	conc(IF)	IF
1	A	157.7		N/A

2	A	382		N/A
3	B	122		N/A
4	B	477.3		N/A
5	C	199.7		N/A
6	C	399		N/A
7	A	157.7	1001.2	Mannitol
8	A	382	2716.5	Mannitol
9	A	157.7	1107.7	Mannitol
10	A	382	1394.2	Mannitol
11	B	122	2280.6	Mannitol
12	B	477.3	1669.3	Mannitol
13	B	122	1710.2	Mannitol
14	B	477.3	1113.0	Mannitol
15	C	199.7	1316.4	Mannitol
16	C	399	399.1	Mannitol
17	C	199.7	969.8	Mannitol
18	C	399	2607.7	Mannitol
19	A	157.7	8.8	N Acetyl L Cysteine
20	A	382	2.3	N Acetyl L Cysteine
21	A	157.7	3.7	N Acetyl L Cysteine
22	A	382	8.0	N Acetyl L Cysteine
23	B	122	3.0	N Acetyl L Cysteine
24	B	477.3	4.3	N Acetyl L Cysteine
25	B	122	8.4	N Acetyl L Cysteine
26	B	477.3	5.8	N Acetyl L Cysteine
27	C	199.7	7.1	N Acetyl L Cysteine
28	C	399	8.5	N Acetyl L Cysteine
29	C	199.7	4.4	N Acetyl L Cysteine
30	C	399	4.3	N Acetyl L Cysteine
31	A	157.7	4089.2	Dextran
32	A	382	1023.7	Dextran
33	A	157.7	1171.8	Dextran
34	A	382	4436.9	Dextran
35	B	122	2050.6	Dextran
36	B	477.3	2093.3	Dextran
37	B	122	2183.3	Dextran
38	B	477.3	3750.4	Dextran

39	C	199.7	2598.1	Dextran
40	C	399	2226.3	Dextran
41	C	199.7	2793.0	Dextran
42	C	399	2941.8	Dextran
43	A	157.7	22.5	Procainamide
44	A	382	35.3	Procainamide
45	A	157.7	5.5	Procainamide
46	A	382	7.7	Procainamide
47	B	122	18.5	Procainamide
48	B	477.3	5.6	Procainamide
49	B	122	31.8	Procainamide
50	B	477.3	8.2	Procainamide
51	C	199.7	22.0	Procainamide
52	C	399	9.3	Procainamide
53	C	199.7	19.7	Procainamide
54	C	399	12.5	Procainamide

Table 4. Interferent Enhanced Spectral Database for Example 3.

[0422] FIGURES 42A, 42B, 42C, and 42D contain spectra formed from the conditions of Table 4. Specifically, the figures show spectra of the Sample Population of 6 samples having random amounts of mannitol (FIGURE 42A), dextran (FIGURE 42B), n-acetyl L cysteine (FIGURE 42C), and procainamide (FIGURE 42D), at a concentration levels of 1 mg/dL and path lengths of 1 μm .

[0423] Next, calibration vectors were generated using the spectra of FIGURES 42A-42D, in effect reproducing the steps of Block 3120. The next step of this Example is the spectral subtraction of water that is present in the sample to produce water-free spectra. As discussed above, certain methods disclosed herein provide for the estimation of an analyte concentration in the presence of interferents that are present in both a sample population and the measurement sample (Type-A interferents), and it is not necessary to remove the spectra for interferents present in Sample Population and sample being measured. The step of removing water from the spectrum is thus an alternative embodiment of the disclosed methods.

[0424] The calibration vectors are shown in FIGURES 43A-43D for mannitol (FIGURE 43A), dextran (FIGURE 43B), n-acetyl L cysteine (FIGURE 43C), and procainamide (FIGURE 43D) for water-free spectra. Specifically each one of FIGURES 43A-43D compares calibration vectors obtained by training in the presence of an interferent, to the calibration vector obtained by training on clean plasma spectra alone. The calibration vector is used by computing its dot-product with the vector representing (pathlength-normalized) spectral absorption values for the filters used in processing the reference spectra. Large values (whether positive or negative) typically represent wavelengths for which the corresponding spectral absorbance is sensitive to the presence of glucose, while small values generally represent wavelengths for which the spectral absorbance is insensitive to the presence of glucose. In the presence of an interfering substance, this correspondence is somewhat less transparent, being modified by the tendency of interfering substances to mask the presence of glucose.

[0425] The similarity of the calibration vectors obtained for minimizing the effects of the two interferents n-acetyl L cysteine and procainamide, to that obtained for pure plasma, is a reflection of the fact that these two interferents are spectrally quite distinct from the glucose spectrum; the large differences seen between the calibration vectors for minimizing the effects of dextran and mannitol, and the calibration obtained for pure plasma, are conversely representative of the large degree of similarity between the spectra of these substances and that of glucose. For those cases in which the interfering spectrum is similar to the glucose spectrum (that is, mannitol and dextran), the greatest change in the calibration vector. For those cases in which the interfering spectrum is different from the glucose spectrum (that is, n-acetyl L cysteine and procainamide), it is difficult to detect the difference between the calibration vectors obtained with and without the interferent.

[0426] It will be understood that the steps of methods discussed are performed in one embodiment by an appropriate processor (or processors) of a processing (i.e., computer) system executing instructions (code segments) stored in appropriate storage. It will also be understood that the disclosed methods and apparatus are not limited to any particular implementation or programming technique and that the methods and apparatus may be implemented using any appropriate techniques for implementing the functionality described

herein. The methods and apparatus are not limited to any particular programming language or operating system. In addition, the various components of the apparatus may be included in a single housing or in multiple housings that communication by wire or wireless communication.

[0427] Further, the interferent, analyte, or population data used in the method may be updated, changed, added, removed, or otherwise modified as needed. Thus, for example, spectral information and/or concentrations of interferents that are accessible to the methods may be updated or changed by updating or changing a database of a program implementing the method. The updating may occur by providing new computer readable media or over a computer network. Other changes that may be made to the methods or apparatus include, but are not limited to, the adding of additional analytes or the changing of population spectral information.

[0428] One embodiment of each of the methods described herein may include a computer program accessible to and/or executable by a processing system, e.g., a one or more processors and memories that are part of an embedded system. Thus, as will be appreciated by those skilled in the art, embodiments of the disclosed inventions may be embodied as a method, an apparatus such as a special purpose apparatus, an apparatus such as a data processing system, or a carrier medium, e.g., a computer program product. The carrier medium carries one or more computer readable code segments for controlling a processing system to implement a method. Accordingly, various ones of the disclosed inventions may take the form of a method, an entirely hardware embodiment, an entirely software embodiment or an embodiment combining software and hardware aspects. Furthermore, any one or more of the disclosed methods (including but not limited to the disclosed methods of measurement analysis, interferent determination, and/or calibration constant generation) may be stored as one or more computer readable code segments or data compilations on a carrier medium. Any suitable computer readable carrier medium may be used including a magnetic storage device such as a diskette or a hard disk; a memory cartridge, module, card or chip (either alone or installed within a larger device); or an optical storage device such as a CD or DVD.

[0429] Reference throughout this specification to “one embodiment” or “an embodiment” means that a particular feature, structure or characteristic described in connection with the embodiment is included in at least one embodiment. Thus, appearances of the phrases “in one embodiment” or “in an embodiment” in various places throughout this specification are not necessarily all referring to the same embodiment. Furthermore, the particular features, structures or characteristics may be combined in any suitable manner, as would be apparent to one of ordinary skill in the art from this disclosure, in one or more embodiments.

[0430] Similarly, it should be appreciated that in the above description of embodiments, various features of the inventions are sometimes grouped together in a single embodiment, figure, or description thereof for the purpose of streamlining the disclosure and aiding in the understanding of one or more of the various inventive aspects. This method of disclosure, however, is not to be interpreted as reflecting an intention that any claim require more features than are expressly recited in that claim. Rather, as the following claims reflect, inventive aspects lie in a combination of fewer than all features of any single foregoing disclosed embodiment. Thus, the claims following the Detailed Description are hereby expressly incorporated into this Detailed Description, with each claim standing on its own as a separate embodiment.

[0431] Further information on analyte detection systems, sample elements, algorithms and methods for computing analyte concentrations, and other related apparatus and methods can be found in U.S. Patent Application Publication No. 2003/0090649, published May 15, 2003, titled REAGENT-LESS WHOLE BLOOD GLUCOSE METER; U.S. Patent Application Publication No. 2003/0178569, published September 25, 2003, titled PATHLENGTH-INDEPENDENT METHODS FOR OPTICALLY DETERMINING MATERIAL COMPOSITION; U.S. Patent Application Publication No. 2004/0019431, published January 29, 2004, titled METHOD OF DETERMINING AN ANALYTE CONCENTRATION IN A SAMPLE FROM AN ABSORPTION SPECTRUM; U.S. Patent Application Publication No. 2005/0036147, published February 17, 2005, titled METHOD OF DETERMINING ANALYTE CONCENTRATION IN A SAMPLE USING INFRARED TRANSMISSION DATA; and U.S. Patent Application Publication No. 2005/0038357,

published on February 17, 2005, titled SAMPLE ELEMENT WITH BARRIER MATERIAL. The entire contents of each of the above-mentioned publications are hereby incorporated by reference herein and are made a part of this specification.

[0432] A number of applications, publications and external documents are incorporated by reference herein. Any conflict or contradiction between a statement in the bodily text of this specification and a statement in any of the incorporated documents is to be resolved in favor of the statement in the bodily text.

[0433] In certain embodiments, the extraction and analysis of a patient's bodily fluid, for example blood plasma, may be performed entirely at the patient's point of care or bedside, and/or with a device attached or connected to a patient. Prior art methods of analyzing bodily fluid from a hospital patient involved taking a sample of a bodily fluid, transporting the sample to a central processing and analysis lab and periodically batch processing a group of samples collected from several patients using a common, central device, for example a centrifuge and bodily fluid analyzer. Here, as depicted in FIGURE 49, methods of analysis are disclosed wherein a fluid handling system or sampling system is attached to a single patient, for example at the patients bedside or point of care, and is capable of extracting a bodily fluid sample from the patient, preparing the sample for analysis and analyzing the sample all at the patient's bedside.

[0434] At step 5100, a fluid handling system, sampling system, analyte detection system or other suitable apparatus is connected to a patient so that the system is placed in fluid communication with a bodily fluid of the patient. Since the system is only associated with a single patient, the connector between the system and patient may be of a type to establish a sustained connection to the patient such as through an IV tube or a catheter inserted into the patient's vasculature.

[0435] At step 5102, once fluid communication has been established with the patient's bodily fluid, a sample of the bodily fluid may be drawn into the system. The sample may then be transported through one or more passageways in the system to a sample preparation unit located within the system. At step 5104, the sample preparation unit prepares the sample for analysis. Depending on the bodily fluid to be analyzed, the preparation of the sample may involve diverting or isolating of a fraction of the drawn

portion of fluid for analysis, filtering the sample through a filter or membrane to remove impurities, or separating a first component from the whole sample, for example separating plasma from a sample of whole blood, to analyze only the first component. Since the sample preparation unit is co-located with the sample draw apparatus, the sample may be analyzed almost immediately after it has been drawn. Once the sample has been prepared, it may be transferred to a chamber, a sample cell or any other location accessible by an analyte detection system for analysis. Alternatively, the sample preparation unit itself may be configured to hold the sample of component for analysis by the analyte detection system.

[0436] At step 5106, after the sample has been prepared, the analyte detection system which is preferably located within the fluid handling system or sampling system connected to the patient determines the concentration of one or more analytes based on or within the prepared sample. The concentration of the measured analyte(s) may then be reported to a display or operator's console located at the patient's bedside or point of care, and/or uploaded to a data network such as a Hospital Information system (HIS), shortly after the sample was drawn from said patient.

[0437] At step 5108, once the sample has been drawn, prepared, and analyzed the fluid handling system or sampling system may shift to infusing the patient with an infusion fluid, such as saline, lactated Ringer's solution, water or any other suitable infusion liquid. In shifting to the infusion mode, the system may return at least a portion of the drawn portion or sample of bodily fluid to the patient. In addition, since the system is dedicated to a single patient use and continuously connected to the patient, the system may further be automated to periodically draw, prepare, and measure a sample of bodily fluid from the patient. In an alternative embodiment where the fluid handling system or sampling system includes an alarm system, the determined analyte concentration(s) may then be compared to a predetermined range of acceptable concentrations and if the determined concentration(s) fall outside said range, an indicator may be triggered, for example an alarm may be sounded, to alert the hospital staff.

[0438] Embodiments of the above described method and apparatus as used to prepare a plasma sample from a patient's whole blood and analyze the plasma sample at the patient's bedside or point of care are further described below in reference to FIGURES 1-3.

However, it is envisioned that the presently-described methods and apparatus could be used to prepare and analyze a sample of any one of a number of bodily fluids extracted from the patient at the point of care, for example interstitial fluid, intercellular fluid, saliva, urine, sweat and/or other organic or inorganic materials.

[0439] In use, the patient sampling system **100** may be connected to a patient via the patient connector **110** and passageway **112**. Since the sampling system is associated with only a single patient, the patient connector **110** may be configured to allow a sustained connection to the patient, for example through IV tubing or the catheter **11** inserted into the patient's vasculature. The sampling system further includes a fluid handling and analysis apparatus **140** which is connected to the patient in part via passageway **112**. The fluid handling and analysis apparatus **140** is thus also located at the patient's bedside or point of care and dedicated to a single patient via connector **110** and passageway **112**. As shown in FIGURE 3, the fluid handling system or sampling system **300** may further include a fluid component separator, such as the sample preparation unit **332**, and an analyte detection system **334** for preparing the sample for analysis and determining the concentration of an analyte based on analysis of the prepared sample. In an alternative embodiment, the fluid handling system or sampling system **100** may be further associated to the patient for example, via manual input of patient data or a patient code into the sampling system.

[0440] Once the system **100** is connected to a patient, a sample of whole blood from the patient may be periodically withdrawn from the patient's vasculature through connector **110** and passageway **112**. The whole blood sample may then be transported to the co-located fluid handling and analysis apparatus **140** where it may be processed and analyzed. Such a system and method of analysis is advantageous over the prior methods because it permits the sample to be processed in a much shorter timeframe. Since the sample does not have to be transported to a central facility and is not batch processed with a group of samples from other hospital patients, but rather is drawn and analyzed at the patient's bedside via a dedicated machine, the sample can be processed and analyzed almost without delay. In addition, such a system and method of analysis permits the system to use a smaller sample size to perform the analysis, since multiple transfers (and the associated incidental fluid loss)

from a separate sampling device to a separate processing device to a separate analysis device are no longer necessary.

[0441] Once the sample of whole blood has been drawn from the patient, at least a portion of the sample may be transported through passageway 112 to the fluid component separator or sample preparation unit 332, for example a centrifuge or filter membrane, located in the fluid handling and analysis apparatus 140. Here, the sample may be separated into at least one component for analysis and a remainder portion, for example a whole blood sample may be separated into a plasma sample and a remainder. Again, because the fluid component separator is co-located with the sampling system at the patient's bedside, the sample may be separated almost without delay, for example in less than 5 minutes from drawing, alternatively less than 2 minutes from drawing, alternatively immediately after drawing from the patient. In an alternative embodiment, for example analysis of whole blood, separation into components may not be required and the sample may simply be filtered to remove impurities. Once the sample has been processed into a first component, the first component may then be almost immediately analyzed by the analyte detection system 334 co-located in the fluid handling and analysis apparatus 140.

[0442] This is especially advantageous when the sample is whole blood and the component desired is blood plasma. For example, the glucose levels in plasma are an important indicator of patient health. However, since blood typically clots in less than two minutes, the delay in prior art systems where the samples were transported to a central lab for batch processing often precluded separation of plasma from whole blood. Under these prior art methods, either an anticoagulant was added to the blood sample to prevent clotting prior to processing and separation of the plasma, or conversely a coagulant was added to the sample and a serum was generated from the whole blood which was then analyzed and the blood glucose level in the plasma extrapolated from the levels in the serum. With regard to certain embodiments of the presently disclosed method and apparatus, because the samples are processed shortly after they are drawn, it is possible to separate the plasma from the whole blood without the addition of anti-coagulants and thus it is possible to get an accurate measurement of the plasma glucose level.

[0443] In addition, as shown in FIGURE 1, the sampling system may further include a connector **120** for attaching an infusion source **15** containing an infusion liquid to **14** to the system. In use, connector **120** may connect the infusion source **15** to a passageway **111** that is in fluid communication with the patient via passageway **112** and patient connector **110**. In use, the infusion liquid may then be delivered to the patient in between periodic draws of a sample of bodily fluid. Infusing the patient's vasculature with a fluid such as saline, lactated ringer's solution, water or any other suitable infusion fluid, may keep the patient's vascular line from constricting or clotting and preventing periodic future extraction of additional samples of bodily fluid. To keep the patient's vascular line open between extractions of bodily fluid samples, the infusion fluid may be delivered at a rate ranging from 1-5 ml/hr. Here, the system may alternate between drawing a bodily fluid sample from the patient's vasculature through passageway **112** and into the fluid handling and analysis apparatus **140** and delivering an infusion liquid via passageways **111** and **112** to the patient's vasculature. Since the system is dedicated to the patient and is continuously attached to the patient, this process may be automatically cycled according to a preset schedule to periodically sample a patient's bodily fluid, measure the levels of an analyte in the sample and update the results on a display **141** at the patient's bedside. In addition, in an alternate embodiment, the system may further include an indicator which may be set to sound an alarm if the levels of the analyte fall outside a preset range.

[0444] Certain alternative embodiments, shown in FIGURES 5 and 8, are generally similar to the sampling systems **100** and **300** as described herein. For example, FIGURE 5 depicts a sampling system **500**, configured to perform the methods described herein and further including a return line **503** connected to the sample analysis device **330** and passageway **111**. Here, once the sample has been prepared and analyzed, as described above, the remainder of the sample may be transported to passageway **111** where it may be reintroduced to the patient's vasculature along with the infusion liquid. FIGURE 8 depicts an alternative embodiment of a sampling system **800** wherein a fluid handling and analysis apparatus **140** comprises two modules, a main instrument **810** and a disposable cassette **820**, that have been configured to be connected at a patient's bedside or point of care and interface to perform the fluid handling and analysis functions described herein. Thus, it should be

understood that sampling systems **100**, **300**, **500** and **800** as shown in FIGURES 1-8 each represent variations of an apparatus configured to carry out the above described method for extracting and analyzing a bodily fluid from a hospital patients at the patient's bedside or point of care.

[0445] In view of the foregoing, certain disclosed embodiments can comprise an apparatus for extracting and analyzing a patient's bodily fluid, for example blood, at the patient's point of care or bedside, and/or with a device attached or connected to a patient. A bodily fluid sampling and analysis system generally comprises at least a first fluid passageway configured to be connected to a patient's bodily fluid, a sample analysis chamber for holding a sample of bodily fluid, at least one pump for directing fluid flow through the passageway to the sample analysis chamber, and an analyte detection system for determining the concentration of an analyte in the of bodily fluid. In certain embodiments, wherein only a component of the bodily fluid is to be analyzed, for example blood plasma, the system may further comprise a fluid separator for separating a component such as plasma from the sample. Certain embodiments of the sampling systems **100**, **300**, **500**, **800**, and **2000**, as shown in FIGURES 1-10 and 22-25, represent variations of the general apparatus described above and will be referenced herein to describe the various features of such an apparatus.

[0446] As shown in FIGURE 1, a first fluid passageway **112** may be connected to a patient via a releasable patient connector **110** to place the fluid handling and analysis apparatus **140** in fluid communication with the patient's bodily fluid. As previously disclosed, since the system is preferably associated with only a single patient, the patient connector **110** may be configured to allow a sustained connection to the patient, for example through IV tubing or the catheter **11** inserted into the patient's vasculature. In certain embodiments, as shown in FIGURES 1, 2, 3, 5, 23B-23D and 24A, the first fluid passageway may be comprised of one or more sections, including but not limited to passageways or sections **111**, **112**, **113**, **2602**, **2611**, **2704**, and **2710** such that another end of the passageway may be connected to an infusion source via connector **120**.

[0447] With reference to FIGURE 2, the first fluid passageway, comprised of sections **111** and **112**, is further engaged by at least one pump **203** for facilitating fluid flow in the fluid passageway. In general, one or more pumps may engage or otherwise

communicate with the first fluid passageway to infuse a patient, to draw a sample of bodily fluid from a patient and/or to transport the bodily fluid through the first fluid passageway to an analyzer. For example, the pump may be operated to draw a bodily fluid from the patient into passageway **112** and towards a sample assembly **220**.

[0448] In certain embodiments, one or more pumps, such as pump **203**, may be operated in multiple modes to control the direction of fluid flow through the various passageways. For example, as depicted in FIGURE 2, the pump **203** may be operated in a forward direction to deliver an infusion liquid from an infusion source **15** connected to connector **120** through passageways **111** and **112** to the patient via connector **230**. Alternately, the pump **203** may be operated in a reverse direction to draw a sample of bodily fluid from the patient through connector **230** and into sampling assembly **220** via passageway **112**. It is envisioned that the pump may comprise any of the pumps disclosed herein, including pumps **203** and **328**, roller pumps **1005a** and **2619** and displacement pump **905**. It is further envisioned that the one or more pumps may comprise one or more multi-directional pumps as described above with reference to FIGURE 2, or two or more unidirectional pumps wherein one pump provides the infusion mode and one pump provides the sample mode. The one or more pumps may be considered to comprise a pump unit of the system or apparatus.

[0449] As shown in FIGURES 2, 3, 5, and 22A-24B, an embodiment of a bodily fluid sampling and analysis system may further include one or more additional passageways, such as passageways **113**, **2609**, **2611**, **2704** or **2710**, and one or more valves for directing the fluid flow through the fluid transport network of the system. For example, in one embodiment, as depicted in FIGURE 3, the fluid transport network includes a second branch or passageway **113** connecting the first passageway **112** to the sample preparation unit **332** and analyte detection system **334**. In addition, valves **316**, **323a** and **323b** are located along the passageway **113** for regulating the fluid communication from passageway **112** through passageway **113**. Valves **316**, **323a** and **323b** may be opened and closed in coordination with operation of the pumps **203** and/or **328** to regulate fluid communication along passageway **113** and to control fluid flow direction.

[0450] The addition of a branch passageway **113** for diverting a drawn sample toward the sample preparation unit and analysis system and the ability to selectively control fluid communication between passageways **112**, **113** and **111** permits the system to alternate fluid flow in said passageways between a forward direction for delivering an infusion liquid to the patient via patient connector **230** and a reverse direction for drawing a sample of a patient's bodily fluid through connector **230** and towards the sample preparation unit **332** via passageway **113**. Specifically, pump **328** may be operated to draw a sample of bodily fluid from a patient through connector **230**. Once the sample has been drawn through passageway **112** into passageway **113**, valve **316** may be closed and the fluid flow through passageways **112** and **111** may be returned to a forward direction to permit the system immediately re-initiate infusion of the patient's vasculature after the sample has been drawn.

[0451] While FIGURE 3 depicts an example of a combination of valves **316**, **323a** and **323b** and a pump **328** used to selectively control fluid communication along the fluid passageways **111**, **112** and **113**, it is further envisioned that any other combination of valve(s) and pump(s), for example as depicted in FIGURES 4, 5, 7, 9, 10, or 22A-24B may be used to selectively control fluid communication within fluid passageways of the system. For example, as depicted in FIGURE 5, a series of pumps and valves may be engaged to control fluid flow along passageways **111**, **112** and **113**. Here, pump **203** may be operated to control fluid flow along passageways **111** and **112** while pump **328** may be engaged to draw fluid from passageway **112** into passageway **113** and into sample analysis device **330**. Valves **501**, **326a** and **326b** may also be opened and closed to provide selective fluid communication between passageway **113** and passageways **111**, **112**, **503**, etc.

[0452] In addition, the pump unit or one or more pumps may be further operably positioned to draw the sample into a sample analysis device **330** including a sample preparation unit **332**, a sample cell **903** or **2464** and an analyte detection system **334**. As shown in FIGURE 3, pump **328** may further draw at least a portion of the sample through passageway **112** and passageway **113** to the sample analysis device **330** located in the fluid handling and analysis apparatus **140**. Here, the fluid component separator or sample preparation unit **332**, for example a centrifuge or filter membrane, prepares the sample for analysis by the analyte detection system **334**. The sample preparation unit **332** may comprise

any one of the fluid component separators discussed herein, including the centrifuge formed by installation of the cassette **820** on the main instrument **810** as depicted in FIGURES 5 and 22-23, filter **1500**, or any other suitable separator. The sample preparation unit **332** may separate the sample into at least one component for analysis and a remainder portion, such as separating plasma from a whole blood sample, and then transfer the component to a sample analysis chamber **903** or **2464** for analysis, or in the case of cassette **820** in FIGURES 22A-24B, perform the separation while the sample is in the sample chamber **2464**.

[0453] In an alternative embodiment, for example analysis of whole blood, separation of the sample into components may not be required and the sample may simply be transferred directly from the patient to a sample analysis cell **903** or **2464** for analysis by the analyte detection system **334**. In certain embodiments, one or more pumps may be engaged to separate and divert a smaller volume of the sample for transport to the sample cell and to return excess fluid drawn to the patient. For example, as depicted in FIGURE 5, pump **328** may be configured to divert into passageway **113** and to sample cell **903** or **2464** a portion of the initial volume of fluid drawn into passageway **112**. Here, remaining portion of blood may be transported to passageway **112** via a return line **503** where it may be reintroduced to the patient's vasculature along with the infusion liquid.

[0454] The bodily fluid analyzer, for example analyte detection systems **334** or **1700** described herein or any other suitable optical or spectroscopic bodily fluid analyzer, is preferably configured to optically engage the sample analysis cell and determine the concentration of an analyte within the sample contained in the sample cell. For example, with reference to FIGURES 18-19, the sample cell **903** may comprise a spectroscopic sample cell having at least one optical window which is transmissive of the wavelength(s) of electromagnetic radiation employed by the analyte detection system **334**. Thus, when the optical window(s) of the sample cell is/are properly aligned with the analyte detection system, the analyte detection system will be able to analyze the fluid component contained within the sample cell and determine the concentration of an analyte for that component.

[0455] In addition, certain embodiments may include a waste receptacle for discarding the sample once it has been analyzed. For example as depicted in FIGURES 3, 5, 23C-23D and 24A, a waste receptacle **325** is connected to passageway **113** or **2609** and

placed in selective fluid communication via a valve **323**, **323a**, **326a** or **2731**. Here, once the sample has been prepared and analyzed, valves **323a** and **323b** may be opened and pump **328** operated to direct flow of the sample towards the waste receptacle **325**. In such embodiments, the sample analysis cell may then be flushed, for example with liquid from the attached infusion source and reused to prepare and analyze subsequent samples.

[0456] In use, a first fluid passageway such as passageway **112** may be connected to a patient via a releasable patient connector **110** to establish fluid communication between the patient's bodily fluid and the fluid transport network of the system. The fluid passageway **112** may be connected to the patient via an IV tubing or catheter for example to facilitate sustained access to the patient's bodily fluid. In certain embodiments, the fluid transport network may further include additional passageway portions or branch passageway such as **111** or **113**, a fluid interface component **2028** and a fluid component separator such as centrifuge combination **2020** and **2030** or filter membrane **1500**.

[0457] Once connected, one or more pumps, including any of the pumps **203**, **328**, **905**, **1005**, **2619** depicted in FIGURES 4, 5, 7, 9, 10, and 22-24, positioned along the fluid transport network, including for example passageway portions **111**, **112** and **113**, may be operated alone or in combination to draw a volume of bodily fluid from the patient into passageway **112**.

[0458] The one or more pumps may then be further engaged to transport at least a portion of the volume of drawn bodily fluid into a sample cell such as sample cell **903** or **2464** for analysis with an analyte detection system. In certain embodiments, wherein the whole sample of bodily fluid, for example whole blood, is to be analyzed, the fluid passageway may be directly connected to the sample analysis cell **903** and the pump(s) simply diverts a portion of the drawn sample from the passageway **112** into passageway **113** and transfers the diverted portion through passageway **113** directly to the sample analysis chamber **903** for analysis by a bodily fluid analyzer.

[0459] Alternatively, wherein the fluid transport network includes a fluid component separator, such as centrifuge combination **2020** and **2030** or filter membrane **1500**, the drawn volume of bodily fluid may first be transported through the fluid component separator, such as filter membrane **1500**, to separate a first component from the volume.

Then, as depicted in FIGURES 3 and 5, the one or more pumps may be further engaged to transfer the separated component to sample cell **903** or **2464** for analysis. In other embodiments, as depicted in FIGURES 22-24, wherein the fluid component separator includes centrifuge combination **2020** and **2030**, the one or more pumps transport the drawn sample to sample cell **2464** located on centrifuge rotor **2020** and then the centrifuge **2020/2030** may be engaged to separate a component from the sample within the sample cell **2464**.

[0460] In certain embodiments, as shown in FIGURES 3, 4, 5, 9, and 22-24, once the fluid in the sample cell **903** or **2464** has been analyzed by the analyte detection system, valves **323**, **323a**, **326**, or **326a** may be opened to place the sample cell in fluid communication with a waste receptacle, for example the receptacle **325** and pumps **203**, **328**, **905** may be further operated to draw the fluid in sample cell **903** or **2464** into waste receptacle **325**.

[0461] In certain embodiments, the fluid handling network may be further connected to an infusion source **15**. Preferably, infusion source **15** is in fluid communication with the patient, for example via a passageway portion such as **111** connected to passageway **112**. Here, once a volume of bodily fluid has been drawn from the patient into passageway **112** for transport and processing by the system, the combination of pumps and valves may be engaged to reverse fluid flow along passageway **111** and **112** such that the infusion liquid may be transported through the first fluid passageway into the patient's vasculature. It is further envisioned that the pump(s) may be engaged to alternately draw a sample of bodily fluid into the first passageway and transport an infusion liquid through the first passageway to the patient's vasculature.

[0462] As described elsewhere herein, it is contemplated that the bodily fluid sampling and analysis system may be separated into a disposable fluid handling cassette and a reusable main analysis instrument that are configured to be attached at the patient's bedside to form a complete working system. In such an embodiment, the disposable fluid handling cassette may include the "wet" fluid transport passageways making up the fluid handling network and an optical interface with the bodily fluid analyzer, such that the main instrument, including the bodily fluid analyzer, does not come in contact with the patient's bodily fluid.

This would be advantageous in that the costly analysis system, while located at the patient's bedside and dedicated to the patient throughout the duration of the patient's care, would not have to be disposed of or sterilized before reuse.

[0463] For example, as shown in FIGURES 8-9, a fluid handling cassette **820** is configured to interface with a main instrument **810**. The fluid handling cassette includes an infusion fluid passageway comprising passageway **112** extending from the cassette body toward the patient connector **110** and passageway **111** extending from the cassette body toward the infusion connector **120**. Passageways **111** and **112** are connected within the fluid handling cassette to provide fluid communication from an infusion source attached to connector **120** to a patient attached to connector **230**. Sample fluid passageway **113** also extends from the fluid handling cassette and is in fluid communication with the infusion passageway at a junction **615** with passageway **112**. Sample fluid passageway **113** is further connected to a sample preparation unit **332**, for example a fluid component separator, housed in the fluid handling cassette. In addition, as shown here, the sample fluid passageway **113** may also be connected to a sample analysis cell **903** and a waste receptacle **325** also housed in the fluid handling cassette **820**. In an alternative embodiment, wherein a whole sample, for example whole blood, is analyzed, a sample preparation unit may not be necessary and the sample fluid passageway **113** may be directly connected to a sample analysis cell **903**.

[0464] The sample preparation unit **332** may include a filter, a centrifuge or a centrifuge rotor for separating a component from a sample of bodily fluid drawn from the attached patient. For example, in one embodiment, a filter membrane may be placed in the sample fluid passageway to permit only a first component to pass through to the sample analysis cell **903**. In an alternative embodiment, a centrifuge may be used to separate a component for analysis from the bodily fluid sample. In such an embodiment, as depicted in FIGURES 22A-28, the sample analysis cell **2464** may be located on the centrifuge rotor **2020** and the entire sample may be transferred to the sample analysis cell **2464**. Here, the sample analysis cell **2464** may be designed so that during operation of the centrifuge rotor **2020**, a component of the sample may be segregated in a section of the sample analysis cell **2464** for analysis. In one embodiment, the centrifuge, including a centrifuge motor may be wholly located on the fluid handling cassette. In an alternative embodiment, as depicted in

FIGURES 22A-24, the centrifuge rotor **2020** may be rotatably mounted in the fluid handling cassette **820** and driven by a centrifuge motor **2320** located on the main instrument **810**. In such an embodiment, the centrifuge rotor **2020** includes an interface **2051** for attaching to a centrifuge drive **2030** which is located on the main instrument **810**.

[0465] Once the component is separated from the sample, the component may be transferred to a sample analysis cell **903** for analysis by the main instrument **810**. The sample analysis cell **903** includes an interface for interfacing with the bodily fluid analyzer on the main instrument. Several embodiments are discussed herein where one or more analyte concentrations are obtained using spectroscopic measurements of a sample at wavelengths including one or more wavelengths that are identified with the analyte(s). In such an embodiment, the sample analysis cell **903** may be a spectroscopic sample analysis cell capable of permitting spectroscopic measurement of the contents of the sample analysis cell. For example, in one method of operation, the bodily fluid analyzer measures the concentration of one or more analytes in the component, in part, by comparing the electromagnetic radiation detected by the sample and reference detectors. Here, the sample analysis cell **903** may include one or more optical windows which are constructed of a material that allows electromagnetic radiation to pass through. Thus, when the sample analysis cell is properly aligned with a bodily fluid analyzer on the main instrument, such that the sample analysis cell is placed between the source of electromagnetic radiation and a detector, the bodily fluid analyzer may analyze the component of bodily fluid contained in the sample analysis cell via the optical window(s).

[0466] For example, as depicted in FIGURE 18, the sample chamber **903** may be defined by first and second lateral chamber walls **1802a**, **1802b** and upper and lower chamber walls **1802c**, **1802d** wherein the upper and lower chamber walls **1802c**, **1802d** are formed from a material which is sufficiently transmissive of the wavelength(s) of electromagnetic radiation that are employed by the sample analysis. In another embodiment, only one of the upper and lower chamber walls **1802c**, **1802d** comprises a window; in such an embodiment, the other of the upper and lower chamber walls may comprise a reflective surface configured to back-reflect any electromagnetic energy emitted into the sample chamber **903** by the bodily fluid analyzer. Accordingly, this embodiment is well suited for use with a bodily fluid

analyzer in which a source and a detector of electromagnetic energy are located on the same side of the sample chamber

[0467] In use, the fluid handling cassette **820** may be connected to a main instrument **810** located at a patient's bedside. The fluid passageways **111** and **112** extending into and/or from the fluid handling cassette **810** may then be attached to a patient via connector **110** and to an infusion source via connector **120**. The fluid passageway may be connected to the patient via an IV tubing or catheter for example to facilitate sustained access to the patient's bodily fluid. Once the passageways are connected, a sample of the patient's bodily fluid, for example blood, may be drawn into passageway **112** and transferred through sample passageway **113** toward sample preparation unit **332**. If only a component of the bodily fluid is to be analyzed, sample preparation unit **332** may include a fluid component separator, such as a filter or a centrifuge. Here, a component may be separated from the sample of bodily fluid and only the component transferred to the sample analysis cell **903**. Alternatively, for example wherein the sample analysis cell is located on the fluid component separator, the entire sample may be transferred to the sample analysis cell and subsequently a component isolated and segregated within the sample analysis cell **903** for analysis.

[0468] Once the component of bodily fluid has been transferred to the sample analysis cell **903** for analysis, the bodily fluid analyzer **1002** located on the main instrument **820** may analyze the component of bodily fluid to determine the concentration of an analyte within the component. In several embodiments, for example as depicted in FIGURES 9-10, the sample analysis cell **903** is permanently positioned on the fluid handling cassette **820** so that when the fluid handling cassette **820** is connected to the main instrument **810**, the sample analysis cell **903** is accessible by the bodily fluid analyzer **1002**. In an alternative embodiment, for example where the sample analysis cell **2464** is located on the centrifuge rotor **2020** as depicted in FIGURES 22-25, the centrifuge rotor **2020** must be rotated to bring the sample analysis cell **2464** to a position where it is accessible by the bodily fluid analyzer **1700** through slot **2074**. For example, slot **2074** may be positioned to provide access to the sample analysis cell **2464** when the centrifuge rotor is rotated to a position which places the sample analysis cell **2464** on the optical axis X-X of the bodily fluid analyzer **1700**. Once the

component has been analyzed, it may be transferred to the waste receptacle **325** via the sample fluid passageway **113** for storage and removal.

[0469] An alternative embodiment of a system comprising a disposable fluid handling cassette including a centrifuge rotor and a reusable main analysis instrument is shown in FIGURES 22A-28. FIGURE 22A depicts a bodily fluid sampling and analysis system **140** including a reusable main instrument **810** and a disposable cassette **820** configured to interface with the main instrument **810**. As shown in FIGURES 22A-22B the reusable main instrument **810**, includes a bodily fluid analyzer **1700** and a centrifuge drive **2030** connected to a motor for driving a centrifuge rotor **2020** located on the fluid handling cassette **820**.

[0470] FIGURES 23A-24B show embodiments of the disposable cassette **820**. Fluid handling cassette **820** includes a cassette housing **2400** enclosing a centrifuge rotor **2020**. Passageways **111**, **112** extend from the housing **2400** and are preferably configured to be connected a patient at one end and an infusion source **15** via connector **120** at the opposite end. A sample fluid passageway **113** also extends from the cassette housing **2400** and includes a fluid interface **2028** for periodically placing the sample fluid passageway **113** in fluid communication with a sample analysis chamber **2464** located on the centrifuge rotor **2020**. Sample fluid passageway **113** is configured to intersect the patient connection passageway **112** near the patient end thereof so that the sample fluid passageway **113** may be placed in fluid communication with a patient via the patient connection passageway **112** when the passageway **112** is connected to the patient via the patient connector. In one embodiment, a passageway **2609** may be provided between the fluid interface **2028** and the waste receptacle **325** for transporting the bodily fluid from the sample cell **2464** to the waste receptacle **325** for storage and disposal after it has been analyzed.

[0471] As shown in FIGURE 23B, the cassette housing **2400** includes a centrifuge interface **2051** configured to interface with a centrifuge drive **2030** located on the main device **2004** and facilitate the operation of the centrifuge. As shown in FIGURE 25A, the cassette housing **2400** may also include an opening **2404** providing physical access to the centrifuge rotor **2020** and the sample analysis cell **2464** located on the centrifuge rotor **2020** such that the centrifuge drive **2030** and the bodily fluid analyzer **1700** of the main instrument

810 may access and interface with the centrifuge rotor **2020** and sample cell **2464**, respectively.

[0472] In use, the fluid handling cassette **820** is connected to a main analysis instrument **810** as depicted in FIGURE 22C. The centrifuge interface **2051** is connected to the centrifuge drive **2030** for rotating the centrifuge rotor **2020**. Fluid passageways **111** and **112** may be connected with an infusion source **15** and a patient, to place the system in fluid communication with a bodily fluid to be analyzed. Once connected to a patient, a bodily fluid may be drawn from the patient into the fluid interface **2028** in the fluid handling cassette **820**. When the centrifuge rotor **2020** is rotated vertical, as depicted in FIGURE 22C, so that the sample analysis cell **2464** is aligned with the fluid passageway interface **2028**, a portion of the drawn bodily fluid may flow into the sample analysis cell **2464** via the fluid passageway interface **2028**. Then, the centrifuge rotor **2020** may be further rotated at a relatively high speed to separate a first component from the sample of bodily fluid. As described above, the sample analysis cell **2464** may be configured to isolate the separated first component from the remainder of the sample. Once the component has been separated, the centrifuge rotor **2020** may be further rotated to align sample analysis cell **2464** with the slot in bodily fluid analyzer **1700** such that the sample analysis cell **2464** (or at least the interrogation region **2091** thereof) will be accessible by the bodily fluid analyzer **1700**. In this alignment, the cell **2464**/region **2091** is located on the optical axis X-X of the analyzer **1700**.

[0473] In an embodiment, depicted in FIGURE 22C, wherein the bodily fluid analyzer uses electromagnetic radiation to determine the concentration of an analyte in the component sample, the sample analysis cell **2464** (or at least the interrogation region **2091** thereof) may be aligned with the bodily fluid analyzer **1700** so that the sample analysis cell **2464** is placed in between a source of electromagnetic radiation **1720** and a detector **1745**. Here, as described above, the sample analysis cell **2464** may be a spectroscopic cell including one or more optical windows capable of permitting spectroscopic measurement of the contents of the sample analysis cell **2464**.

[0474] Once the sample analysis cell has been aligned, or otherwise interfaced, with the bodily fluid analyzer **1700**, the bodily fluid analyzer may operatively engage the

sample analysis cell to measure the concentration of an analyte in the component of bodily fluid contained in the interrogation region 2091 of sample analysis cell 2464. Once analyzed, the component of bodily fluid in the interrogation region 2091 and the remainder of the sample may be transported to the waste receptacle 325 and the sample analysis cell 2464 may be reused for successive sample draws and analysis. In an alternative embodiment, the sample element 2448 may be removed from the rotor 2020 and replaced after each separate analysis. Once the patient care has terminated, the fluid passageway 112 may be disconnected from the patient and the fluid handling cassette 820 which has come into fluid contact with the patient's bodily fluid may be disposed of or sterilized for reuse. The main instrument portion 810, however, has preferably not come into contact with the patient's bodily fluid at any point during the analysis and therefore can readily be connected to a new fluid handling cassette 820 and used for the analysis of a subsequent patient.

[0475] As described above, it is contemplated that the bodily fluid sampling and analysis system may be separated into a disposable fluid handling cassette and a reusable main analysis instrument that are configured to be attached at the patient's bedside to form a complete working system. In such an embodiment, the disposable fluid handling cassette may include all of the fluid handling elements, such as the fluid passageways, a sample analysis cell and/or a fluid component separator, that would comprise the fluid handling network, such that the main instrument, including the bodily fluid analyzer, is not required to have contact with the patient's bodily fluid. The main instrument, however may include control elements, for example a valve actuator, a pump actuator, a centrifuge motor, and/or a syringe or pump actuator, which are operably positioned on the main instrument to be able to interface with the fluid handling elements of the cassette. In such an embodiment, some or all of the fluid handling elements include a control element interface which is operatively positioned such that when the cassette and main instrument are connected, the control elements may engage their respective fluid handling elements and thereby control fluid flow through the fluid network within the cassette. This is advantageous in that the costly analysis system, which is preferably located at the patient's bedside and dedicated to the patient throughout the duration of the patient's care, need not be disposed of or sterilized before reuse.

[0476] In one embodiment, depicted in FIGURE 8, the fluid handling cassette **820** includes a fluid handling network comprised of multiple fluid handling elements including for example passageways **111**, **112** and **113**, a fluid component separator **332** and displacement pump **905**. A sample cell **903** is accessible by the fluid handling network via passageway **113**. In addition, as shown here, the sample fluid passageway **113** may also be connected to, or otherwise facilitate access to, a sample analysis cell **903** and a waste receptacle **325** also housed in the fluid handling cassette **820**. In certain embodiments, a sample preparation unit, for example a filter or centrifuge, may be connected to the sample analysis cell **903**. In an alternative embodiment, where a whole sample, for example whole blood will be analyzed, a sample preparation unit may not be necessary and the sample fluid passageway **113** may be directly connected to a sample analysis cell **903**.

[0477] The fluid cassette housing interface **821** is constructed such that a portion of some or all of the fluid handling elements is accessible by the main instrument **810** when the main instrument **810** and the fluid handling cassette **820** are connected. The main instrument includes one or more control elements for controlling fluid flow and direction through the fluid network of the cassette to direct drawing of a sample of a patient's bodily fluid, transporting the sample through the network, separating a component from the sample for analysis. For example, as shown in FIGURE 9, the main instrument may include the following control elements: a roller pump impeller **1005a** and support **1005b**, one or more valve actuators **1007a**, **1007b**, **1007c**, **1007d** and a syringe actuator or pump actuator **1009** for controlling fluid flow through passageways **111** and **113** on the fluid handling cassette **820**.

[0478] When the cassette interface **821** is connected to the main instrument interface **811**, the fluid handling elements are aligned with their respective control elements such that the control element can access and engage and control the respective fluid handling elements. Each fluid handling element further includes a control element interface for interfacing with the control element. For example, FIGURE 8 shows openings in the cassette housing operably positioned to allow access to passageway portions **111a**, **113a**, **113b**, **113c**, **113d** and **113e**, which comprise control element interfaces of the respective passageways (fluid handling elements) **111** and **113**. When the main instrument **810** is connected to the

cassette **820**, the valve actuators **1007a**, **1007b**, **1007c** and **1007d**, are operably positioned to engage a portion of a passageway and alternately permit or block fluid flow therethrough. In one embodiment, the respective passageway portions **111a**, **113a**, **113b**, **113c**, **113d** and **113e** which the valves on the main instrument are positioned to engage are flexible tubes, and valves **1007a**, **1007b**, **1007c** and **1007d** are “pinch valves.” The pinch valves **1007a**, **1007b**, **1007c** and **1007d** include one or more moving surfaces that are actuated to move together and “pinch” a flexible passageway to stop flow therethrough. Examples of a pinch valve include, for example, Model PV256 Low Power Pinch Valve (Instech Laboratories, Inc., Plymouth Meeting, PA). Alternatively, one or more of valves **1007a**, **1007b**, **1007c**, and **1007d** may be other valve types for controlling the flow through their respective passageways.

[0479] In addition, roller pump **1005** is configured to engage passageway portion **111a** to move fluid through passageway **111** and actuator **1009** is configured to engage piston **907** and thus control displacement pump **905**. Thus, when the main instrument **810** and the fluid handling cassette **820** are connected, the combination of one or more control elements on the main instrument **810**, including one or more valves, and/or one or more pumps or pump actuators, may engage one or more fluid handling elements within the fluid handling network of the cassette to control fluid flow through fluid passageways **111** and **113**. Fluid passageway **113** may be further connected to a sample preparation unit **332**, for example a fluid component separator, and a sample analysis cell **903**. Fluid communication with the sample preparation unit **332** and the sample analysis cell **903** may also be controlled by the combination of one or more control elements on the main instrument engaging fluid passageway **113** and controlling fluid flow therethrough.

[0480] In use, the fluid handling cassette **820** may be connected to a main instrument **810** located at a patient's bedside. The fluid passageway portions **111** and **112** extending from the fluid handling cassette **810** may then be attached to a patient via patient connector **230** and to an infusion source via connector **120**. The fluid passageway **112** may be connected to the patient via an IV tubing or catheter for example to facilitate sustained access to the patient's bodily fluid. Once connected, pump **905** may be activated by actuator **1009** engaging piston **907**. Pumps **905** and/or **1005** may then be controlled to draw a sample of the patient's bodily fluid, for example blood, into passageway **112** and through sample

passageway **113** toward sample preparation unit **332**. Valves **1007a** on passageway **113a** and **1007h** located on the patient connector are moved to an open position to allow fluid flow through passageway **113** while valve **1007h** is moved to a closed position to prohibit fluid flow through passageway **112**.

[0481] If only component(s) of the bodily fluid is/are to be analyzed, sample preparation unit **332** may include a fluid component separator, such as a filter or a centrifuge. Here, one or more components may be separated from the sample of bodily fluid and only the component(s) transferred to the sample analysis cell **903**. Alternatively, for example wherein the sample analysis cell **903** is located on the fluid component separator, the entire sample may be transferred to the sample analysis cell **903** and subsequently a component isolated and segregated within the sample analysis cell **903** for analysis.

[0482] Once the component in the sample analysis cell **903** has been analyzed by the bodily fluid analyzer **1700** on the main instrument, the actuator **1009** may again engage piston **907** to cause a reverse flow in passageway **113** and transfer the component in sample cell **903** to a waste receptacle **325**. Valve **1007b** controlling fluid communication with waste receptacle **325** via passageway portion **113c** may be moved to an open position to permit the analyzed component to be delivered to the waste receptacle.

[0483] Once a sample of bodily fluid has been drawn from the patient, the control elements on the main instrument may be engaged to prohibit access to fluid passageway **113** and reverse fluid flow in passageway **112**. For example, roller pump **1005a** may be activated to initiate fluid flow from an attached infusion source through passageways **111** and **112** into the patient's vasculature.

[0484] In an alternative embodiment, as shown in FIGURES 22-23E, the fluid handling network of the cassette **820** includes a fluid handling and transport network comprising a plurality of fluid handling elements including: a centrifuge rotor **2020** and fluid passageways **111**, **112**, **113**, **324**, **327** and **2609**. As shown in FIGURES 22C and 23B, the main instrument **810** includes a roller pump impeller **2619** and pincher valves **323a** and **323b** as control elements for engaging fluid passageways **111**, **327** and **324**, respectively, of the cassette **820**; centrifuge drive **2030** as a control element for engaging and operating the

centrifuge rotor **2020**; and syringe actuator or pump actuator **2652** as a control element for engaging and operating the syringe pump **328**.

[0485] When the cassette **820** is connected to the main instrument **810**, the fluid handling elements **2020**, **111**, **327**, **324** and **328** are aligned with their respective control element **2030**, **2619**, **323a**, **323b** and **2652** such that the control elements can access and engage the fluid handling element to control fluid transport therethrough. Each fluid handling element further includes a control element interface for interfacing with the control element. For passageways **111**, **327** and **324**, the control element interface can comprise a section (e.g., portion **111a**) of the passageway in question that extends into, across or adjacent an opening or window in the cassette housing which allows the corresponding control element to access the passageway **111/327/324**. For this purpose, openings **2613**, **2619** and **2617** are provided in the front wall **2045** of the cassette housing **2400**. Alternatively the cassette **820** may include a single opening dimensioned such that when the cassette **820** and main instrument **810** are connected the fluid handling elements **111**, **327** and **324** will be accessible by their respective control elements.

[0486] A opening **2621** is provided in the front wall **2045** of the cassette housing **2400** to permit the pump actuator **2652** to engage the piston control **2645** of the syringe pump **328** upon loading of the cassette **820** onto the main instrument **810**. Accordingly the piston control **2645** can be considered the control element interface of the pump **328**, as it coacts with the pump actuator (control element) **2652** to facilitate operation of the pump **328** by the main instrument **810**.

[0487] As shown in FIGURE 22C, the centrifuge rotor **2020** includes a centrifuge interface **2061** configured to interface with the centrifuge drive **2030** located on the main device and facilitate the operation of the centrifuge. With reference to FIGURE 23B, the cassette housing opening **2404** may also provide physical and/or optical access to the centrifuge rotor **2020** and a sample analysis cell **2464** located on the centrifuge rotor **2002** such that the centrifuge drive **2030** on the main instrument **810** may access and engage the centrifuge rotor **2020** when the cassette **820** and main instrument **810** are connected.

[0488] In use, the fluid handling cassette **820** is connected to a main analysis instrument **810** as depicted in FIGURE 22C. Once the cassette and instrument are connected,

the control elements including centrifuge drive motor **2030**, roller pump **2619**, valves **323a** and **323b**, and pump actuator **2652** located on the main instrument **810** may access the fluid handling elements via the openings provided in the cassette housing **2400** to control fluid flow through fluid passageways **111**, **327** and **324** and to engage centrifuge rotor **2020** and piston control **2645**. The centrifuge rotor interface **2051** is connected to a centrifuge interface **2042** of centrifuge drive **2030** (see FIGURE 28) which is further connected to a drive motor for rotating the centrifuge rotor **2020**. Once engaged, the centrifuge drive **2030** may then control rotation of the centrifuge rotor **2020** about its axis to separate a component from a sample contained in a sample cell **2464** located on the rotor **2020** and to position the sample cell **2464** in the slot **2074** of the bodily fluid analyzer **1700** as further discussed elsewhere herein.

[0489] Fluid passageway portions **111** and **112** may be connected with an infusion source **15** and a patient, respectively, to place the system in fluid communication with a bodily fluid to be analyzed. Once the passageway portions are connected to a patient, rotary pump **2619** may be operated in a reverse direction to draw a bodily fluid from the patient into the fluid passageway **112**. From there the bodily fluid can be drawn into the fluid handling cassette **820** via the passageway **113** as described elsewhere herein. When the centrifuge rotor **2020** is rotated vertical, as depicted in FIGURE 22C, so that the sample analysis cell **2464** is aligned with the fluid passageway interface **2028**, a portion of the drawn bodily fluid may flow into the sample analysis cell **2464** via the fluid passageway interface **2028**. Then, the centrifuge rotor **2020** may be further rotated at a relatively high speed to separate a first component from the sample of bodily fluid.

[0490] As described herein in reference to FIGURES 25A-D, the sample analysis cell **2464** may be configured to isolate the separated first component from the remainder of the sample. Once the component has been separated, the centrifuge rotor **2020** may be further rotated to align sample cell **2464** (or at least the interrogation region **2091** thereof) with the slot **2074** in the bodily fluid analyzer **1700**. The slot **2074** is configured such that when the centrifuge rotor is rotated to a measurement position, the sample analysis cell **2464** (or at least the interrogation region **2091** thereof) is positioned in slot **2074** and thus optically accessible by the bodily fluid analyzer **1700**. Where the bodily fluid analyzer uses

electromagnetic radiation to determine the concentration of an analyte in the component sample, the sample analysis cell **2464** or region **2091** may be aligned with the bodily fluid analyzer **1700** so that the cell **2464** or region **2091** is on the optical axis X-X, between a source of electromagnetic radiation **1720** and a detector **1745**. Here, as depicted in FIGURES 25A-D, the sample analysis cell **2464** may be a spectroscopic cell including one or more optical windows capable of permitting spectroscopic measurement of the contents of the sample analysis cell **2464**.

[0491] Once the sample analysis cell **2464** has been aligned, or otherwise interfaced, with the bodily fluid analyzer **1700**, the bodily fluid analyzer **1700** may operatively engage the sample analysis cell **2464** to determine the concentration of an analyte in the component of bodily fluid contained in the sample analysis cell **2464** or region **2091**. Once the sample has been analyzed, valve **323a** positioned on passageway **324** may be opened and the used component of bodily fluid in the sample cell **2464** may be transported to the waste receptacle **325** for storage and disposal. Sample analysis cell **2464** may then be reused for successive sample draws and analysis. In an alternative embodiment, the sample cell **2464** may be removed from the rotor **2020** and replaced after each separate analysis. Once the patient care has terminated, the fluid passageway **112** may be disconnected from the patient and the fluid handling module **820** which has come into fluid contact with the patient's bodily fluid may be disposed of or sterilized for reuse. The main instrument portion **810**, however, has preferably not come into contact with the patient's bodily fluid during the analysis and therefore can readily be connected to a new fluid handling cassette **820** and used for the analysis of a subsequent patient.

[0492] As may be appreciated, the foregoing discussion of the cassette **820** equipped with the fluid handling network **2600** applies as well to the cassette **820** equipped with the fluid handling network **2700** (see FIGURES 24A-24B). Thus the fluid handling network **2700** includes a number of fluid handling elements (fluid passageways, centrifuge rotor, syringe pump) that are engaged by control elements (roller pump, valves, pump actuator) through openings in the front wall **2745** of the cassette **820**, upon installation of the cassette **820** on the main instrument **810**. The portions of the fluid handling elements of the network **2700** that are engaged by the control elements of the instrument **810** can be

considered the control element interfaces of the network **2700**. The number and arrangement of the fluid handling elements of the network **2700**, and the number and arrangement of the control elements of the corresponding main instrument **810**, as well as the operation thereof, vary somewhat from the components and operation of the network **2600**, as discussed in greater detail above.

[0493] Although the invention(s) presented herein have been disclosed in the context of certain preferred embodiments and examples, it will be understood by those skilled in the art that the invention(s) extend beyond the specifically disclosed embodiments to other alternative embodiments and/or uses of the invention(s) and obvious modifications and equivalents thereof. Thus, it is intended that the scope of the invention(s) herein disclosed should not be limited by the particular embodiments described above, but should be determined only by a fair reading of the claims that follow.

WHAT IS CLAIMED IS:

1. A method of analyzing bodily fluids in an analyte detection system at the point of care for a patient comprising:

 establishing fluid communication between said analyte detection system and a bodily fluid in an extracorporeal fluid conduit;

 drawing from said fluid conduit a portion of said bodily fluid;

 separating from said drawn portion a first component of said bodily fluid, while said analyte detection system remains in fluid communication with said fluid conduit; and

 with said analyte detection system, analyzing said first component to measure a concentration of an analyte.

2. The method of claim 1, wherein establishing fluid communication comprises placing said fluid conduit in communication with at least one fluid passageway of said analyte detection system.

3. The method of claim 2, wherein said fluid conduit comprises IV tubing.

4. The method of claim 2, wherein said fluid conduit comprises a catheter.

5. The method of claim 1, further comprising placing said analyte detection system in fluid communication with an infusion liquid source.

6. The method of claim 5, further comprising periodically infusing said fluid conduit with a liquid from said infusion liquid source.

7. The method of claim 6, wherein the infusion liquid is selected from a group consisting of saline, lactated ringer's solution and water.

8. The method of claim 6, wherein the infusion liquid is delivered at a rate ranging from about 1 – 5 ml/hr.

9. The method of claim 6, wherein further comprising the step of alternating between said drawing and infusing.

10. The method of claim 1, wherein said separating comprises using centrifugal force to remove a first component from said drawn portion of bodily fluid.

11. The method of claim 1, wherein said separating comprises filtering said first component from said drawn portion of bodily fluid.

12. The method of claim 1, wherein said first component of said drawn portion of bodily fluid has a different composition from a remainder of said drawn portion of bodily fluid.

13. The method of claim 1, wherein said separating occurs immediately after said drawing step.

14. The method of claim 13, wherein said separating occurs less than 2 minutes after said drawing step.

15. The method of claim 14, wherein said separating occurs less than 5 minutes after said drawing step.

16. The method of claim 1, further comprising periodically repeating said drawing, separating, and analyzing.

17. The method of claim 16, further comprising storing the resulting measurements of the concentration of said analyte.

18. The method of claim 17, further comprising the step of displaying the measured concentrations of said analyte on a display device at the patient's bedside.

19. The method of claim 16, further comprising the step of generating an audible alarm if the concentrations of an analyte fall outside of a predetermined range.

20. The method of claim 1, wherein establishing fluid communication comprises connecting the analyte detection system to only one fluid conduit.

21. The method of claim 20, further comprising locating said analyte detection system at said patient's bedside.

22. A method of preparing for analysis a bodily fluid, said method comprising:
operably connecting a fluid separation system to tubing;
drawing a portion of said bodily fluid from said tubing and into said fluid separation system; and
separating a first component from said drawn portion of bodily fluid with said fluid separation system, while said fluid separation system remains operably connected to said tubing.

23. The method of claim 22, wherein operably connecting comprises operably connecting said fluid separation system to IV tubing.

24. The method of claim 22, wherein operably connecting comprises placing the fluid separation system in fluid communication with said tubing.

25. The method of claim 22, wherein said fluid separation system comprises at least one fluid passageway and said wherein said operably connecting further comprises placing said tubing in communication with at least one fluid passageway which extends from said fluid separation system.

26. The method of claim 22, wherein said fluid separation system comprises a centrifuge and said separating comprises using centrifugal force to remove said first component from said drawn portion of bodily fluid.

27. The method of claim 22, wherein said fluid separation system comprises a filter and said separating step further comprises filtering said first component from said drawn portion of bodily fluid.

28. The method of claim 22, wherein said first component of said drawn portion of bodily fluid has a different composition from a remainder of said drawn portion of bodily fluid.

29. The method of claim 28, wherein said separating occurs immediately after said drawing step.

30. The method of claim 28, wherein said separating occurs less than 2 minutes after said drawing step.

31. The method of claim 28, wherein said separating occurs less than 5 minutes after said drawing step.

32. The method of claim 28, wherein said bodily fluid drawn from said tubing is blood.

33. The method of claim 32, wherein said first component separated from the drawn portion of blood is plasma.

34. The method of claim 33, wherein said separating step occurs before said drawn blood begins to clot.

35. The method of claim 22, further comprising the step of returning a remainder portion of said drawn bodily fluid to said tubing.

36. The method of claim 28, further comprising the step of analyzing said first component of said bodily fluid with an analyte detection system to determine a concentration of an analyte.

37. The method of claim 36, wherein said analyte detection system is operably connected to said fluid separation system.

38. The method of claim 37, wherein said fluid separation system is housed within said analyte detection system.

39. A method of analyzing a bodily fluid, said method comprising the steps of:

attaching an analyte detection system to an extracorporeal fluid conduit wherein said analyte detection system further comprises a fluid handling system;

attaching said fluid handling system to said fluid conduit;

drawing a sample of bodily fluid from said fluid conduit into said fluid handling system; and

directly analyzing said sample with said analyte detection system to measure a concentration of an analyte.

40. The method of claim 39, wherein said attaching comprises connecting said analyte detection system to only said fluid conduit.

41. The method of claim 40, further comprising locating said analyte detection system at a patient's bedside.

42. The method of claim 39, wherein said attaching comprises placing said fluid conduit in communication with at least one fluid passageway in said fluid handling system.

43. The method of claim 39, wherein said attaching comprises operably connecting said fluid handling system to IV tubing.

44. The method of claim 39, wherein said attaching comprises operably connecting said fluid handling system to a catheter.

45. The method of claim 39, further comprising the steps of :

attaching an infusion liquid source to said fluid handling system; and

infusing said fluid conduit with an infusion liquid from said source.

46. The method of claim 39, wherein the fluid handling system further comprises a fluid separation system, further comprising the step of separating a first component from said

sample of bodily fluid; and wherein the analyzing step further comprises the step of directly analyzing said first component of said sample to measure a concentration of an analyte.

47. The method of claim 46, wherein said fluid separation system further comprises a centrifuge and said separating step further comprises using centrifugal force to separate said first component from said drawn sample of bodily fluid.

48. The method of claim 46, wherein said fluid separation system comprises a filter and said separating step further comprises filtering a first component from said drawn portion of bodily fluid.

49. The method of claim 46, wherein said separating occurs immediately after said drawing step.

50. The method of claim 46, wherein said separating occurs less than 2 minutes after said drawing step.

51. The method of claim 46, wherein said separating occurs less than 5 minutes after said drawing step.

52. The method of claim 46, wherein said bodily fluid is blood.

53. The method of claim 46, wherein said first component separated from the drawn sample of blood is plasma.

54. The method of claim 53, wherein said separating step occurs before said drawn blood begins to clot.

55. A system for bodily fluid sampling and analysis, said system comprising:
a first fluid passageway having a patient end which is configured to provide fluid communication with a bodily fluid within a patient;
a sample analysis chamber accessible via said first fluid passageway;

at least one pump in operative engagement with said first fluid passageway such that said system is operable to periodically draw a sample of said bodily fluid from said patient through said first fluid passageway and toward said sample analysis chamber;

a separator accessible via said first fluid passageway and configured to remove at least one component from said sample of bodily fluid; and

a spectroscopic analyte detection system configured to analyze said component of bodily fluid while said component of bodily fluid is in said sample analysis chamber, and determine a concentration of at least one analyte.

56. The system of Claim 55, wherein:

said first fluid passageway further comprises an infusate end which is configured to provide fluid communication with an infusate source; and

said system is operable to deliver an infusate toward said patient through said first fluid passageway.

57. The system of claim 56, wherein the first fluid passageway further comprises a first connector at said infusate end for releasably connecting the first fluid passageway with an infusate source.

58. The system of claim 57, wherein the first fluid passageway further comprises a second connector at said patient end for releasably connecting said first fluid passageway with said bodily fluid of a patient.

59. The system of claim 58, wherein said second connector is configured to maintain a continuous connection with said bodily fluid of said patient.

60. The system of claim 58, wherein said second connector is configured to engage an IV tubing.

61. The system of claim 58, wherein said second connector is configured to engage a catheter.

62. The system of claim 55, wherein said first passageway further comprises one or more valves for selectively controlling fluid communication between said patient end and said sample analysis chamber.

63. The system of claim 55, wherein said sample analysis chamber is in fluid communication with said first fluid passageway.

64. The system of claim 55, wherein said at least one pump is directionally controllable.

65. The system of claim 55, wherein said at least one pump comprises two or more unidirectional pumps, wherein said unidirectional pumps are operatively configured to provide bi-directional flow through said first passageway.

66. The system of claim 55, further comprising a second fluid passageway connected to said first fluid passageway, wherein said second fluid passageway provides fluid communication between said first fluid passageway and said sample analysis chamber.

67. The system of claim 66 further comprising one or more valves for selectively controlling fluid communication between said first fluid passageway and said second fluid passageway.

68. The system of claim 67, wherein said at least one pump is further configured to move said sample of said bodily fluid from said patient through said first fluid passageway and said second passageway and toward said sample analysis chamber.

69. The system of claim 68, wherein said separator is in fluid communication with said second fluid passageway and said sample analysis chamber.

70. The system of claim 69, wherein said separator is a filter.

71. The system of claim 69, wherein said separator is a centrifuge.

72. The system of claim 55, wherein said sample analysis chamber is configured to receive at least a portion of said first component of a bodily fluid.

73. The system of claim 69, wherein said at least one pump comprises a first pump and a second pump, wherein said second pump is configured to draw said first component into said sample analysis chamber.

74. The system of claim 55, wherein sample analysis chamber comprises at least one window constructed from a material which allows electromagnetic radiation to pass into said sample analysis chamber.

75. The system of claim 55, wherein said sample analysis chamber comprises two windows positioned on opposing sides of said sample analysis chamber and constructed from a material which allows electromagnetic radiation to pass through said sample analysis chamber.

76. A system for periodically drawing a blood sample from a patient and analyzing the composition of at least one component of said blood sample, said system comprising:

- a fluid passageway having a distal end which is configured to be inserted into the vasculature of a patient;

- a sample analysis chamber in fluid communication with said fluid passageway;

- an infusion fluid source in fluid communication with said fluid passageway, said source containing an infusion fluid;

- a pump unit, said pump unit having a first mode in which said pump unit infuses said infusion fluid into said patient via said fluid passageway, and a second mode in which said pump unit is operable to draw a blood sample from said patient via said first fluid passageway and toward said sample analysis chamber;

- a separator configured to remove at least one component from said blood sample before said sample is analyzed by said analyte detection system; and

a spectroscopic analyte detection system configured to analyze said at least one component while at least a portion of said at least one component is in said sample analysis chamber, and determine a concentration of at least one analyte.

77. The system of claim 76, wherein said distal end of said fluid passageway is configured to maintain fluid communication with said vasculature of a patient.

78. The system of claim 77, wherein said fluid passageway further comprises one or more branch passageways for establishing fluid communication with said sample analysis chamber.

79. The system of claim 78, further comprising one or more valves for selectively controlling fluid communication along said fluid passageway and among said vasculature of said patient, said infusion fluid source and said sample analysis chamber.

80. The system of claim 76, wherein said separator is configured to separate plasma from said blood sample.

81. The system of claim 80, wherein said separator is a filter.

82. The system of claim 80, wherein said separator is a centrifuge.

83. The system of claim 80, wherein said sample analysis chamber is configured to hold at least a portion of said plasma.

84. The system of claim 80, wherein said pump unit has a third mode in which said pump returns a portion of said drawn blood sample to said patient's vasculature via said fluid passageway.

85. The system of claim 83, wherein said sample analysis chamber further comprises an interface for interfacing with said spectroscopic analyte detection system.

86. The system of claim 85, wherein said sample analysis chamber comprises at least one window constructed from a material which allows electromagnetic radiation to pass into said sample analysis chamber.

87. The system of claim 86, wherein said sample analysis chamber comprises two windows positioned on opposing sides of said sample analysis chamber and constructed from a material which allows electromagnetic radiation to pass through said sample analysis chamber.

88. The system of 87, wherein said pump unit comprises a first pump operable in said first mode and a second pump operable in said second mode.

89. A fluid handling and analysis system, said system comprising:

- a fluid handling network comprising at least one fluid passageway, said fluid handling network including a patient end configured to maintain fluid communication with a bodily fluid in a patient;

- a sample analysis chamber accessible via said fluid handling network;

- a pump unit coupled to said fluid handling network, said pump unit having a sample draw mode in which said pump unit is operable to draw a sample of said bodily fluid from said patient through said patient end, toward said sample analysis chamber;

- a spectroscopic fluid analyzer configured to analyze said sample of bodily fluid while said sample of bodily fluid is in said sample analysis chamber, and determine a concentration of at least one analyte; and

- a separator configured to remove at least one component from said sample of bodily fluid before said sample is analyzed by said analyte detection system.

90. The system of claim 89, wherein said pump unit has an infusion mode in which said pump unit is operable to deliver infusion fluid to said patient through said patient end.

91. The system of claim 89, wherein said patient end is configured to engage an IV tubing.

92. The system of claim 89, wherein said patient end is configured to engage a catheter.

93. The system of claim 89, wherein said patient end is configured to maintain continuous fluid communication with a patient's vasculature.

94. The system of claim 89, wherein said fluid handling network further comprises an infusion end configured to be connected to an infusion source.

95. The system of claim 90, wherein said system further comprises an infusion source in fluid communication with an infusion end of said fluid handling network, and said fluid handling network further comprises one or more branch fluid passageways which provide fluid communication between said first fluid passageway, said sample analysis chamber and said infusion source.

96. The system of claim 95, wherein said fluid handling network further comprises one or more valves for selectively controlling fluid communication among said patient end, said infusion end and said sample analysis chamber.

97. The system of claim 90, wherein said pump unit is directionally controllable for alternating between said infusion mode and said sample draw mode.

98. The system of claim 90, wherein said pump unit comprises a first pump operable in said infusion mode and a second pump operable in said sample draw mode.

99. The system of claim 89, wherein said separator is in fluid communication with said fluid handling network.

100. The system of claim 99, wherein said separator is in fluid communication with said sample analysis chamber.

101. The system of claim 89, wherein said separator is a filter.

102. The system of claim 89, wherein said separator is a centrifuge.

103. The system of claim 102, wherein said sample analysis chamber is located on said centrifuge.

104. The system of claim 89, wherein said sample analysis chamber is configured to hold at least a portion of said at least one component of said sample of bodily fluid.

105. The system of claim 89, wherein said sample analysis chamber comprises at least one window constructed of a material which allows electromagnetic radiation to pass into said sample analysis chamber.

106. The system of claim 89, wherein said sample analysis chamber comprises at least two windows positioned on opposing sides of said sample analysis chamber and constructed of a material which allows electromagnetic radiation to pass through said sample analysis chamber.

107. A method of analyzing a bodily fluid, said method comprising:

establishing fluid communication between a fluid transport network and a bodily fluid in an extracorporeal fluid conduit, wherein said fluid transport network further comprises at least one fluid passageway and a fluid component separator;

drawing a volume of bodily fluid from said fluid conduit into said fluid transport network;

transporting said volume of bodily fluid to said fluid component separator via said at least one fluid passageway;

with said fluid component separator, separating a first component from said bodily fluid;

transporting said first component to a sample analysis chamber, wherein said sample analysis chamber is operatively engaged with an analyte detection system; and

with said analyte detection system, analyzing said first component to measure the concentration of an analyte.

108. The method of claim 107, wherein establishing fluid communication comprises placing said fluid conduit in fluid communication with a first fluid passageway in said fluid transport network.

109. The method of claim 108, further comprising maintaining fluid communication between said fluid conduit and said first fluid passageway.

110. The method of claim 109, further comprising:
connecting said fluid transport network to an infusion source containing an infusion liquid; and
periodically infusing said fluid conduit with said liquid via said first passageway.

111. The method of claim 110, wherein said periodically infusing comprises transporting said infusion liquid to said fluid conduit via said first passageway.

112. The method of claim 111, wherein said fluid transport network comprises at least one pump and transporting said infusion liquid comprises pumping said infusion liquid through said first passageway toward said fluid conduit.

113. The method of claim 110, further comprising alternately drawing a volume of bodily fluid from said fluid conduit and infusing said fluid conduit with an infusion liquid.

114. The method of claim 113, wherein alternately drawing and delivering comprises selectively controlling fluid communication between said first fluid passageway and said infusion source and said fluid conduit.

115. The method of claim 114, wherein alternately drawing and delivering comprises alternately reversing the direction of flow in said first passageway.

116. A fluid handling and analysis system, said system comprising:

a fluid transport network comprising at least a first fluid passageway, said fluid transport network including a patient end configured to maintain fluid communication with a bodily fluid in a patient;

a sample analysis chamber and waste container, each accessible via said fluid transport network;

a pump unit in operative engagement with said fluid transport network, said pump unit having an infusion mode in which said pump unit is operable to deliver an infusion fluid to said patient through said patient end, and a sample draw mode in which said pump unit is operable to draw a volume of said bodily fluid from said patient through said patient end, toward said sample analysis chamber;

a spectroscopic fluid analyzer configured to analyze a sample of said bodily fluid while said sample is in said sample analysis chamber, and determine a concentration of at least one analyte;

said fluid transport network and said pump unit being configured to draw a volume of said bodily fluid from said patient, isolate a fraction of said bodily fluid from said volume, and pass said fraction to said sample analysis chamber and then to said waste container.

117. The system of claim 116, wherein said first fluid passageway comprises an infusion end configured to be connected to an infusion fluid source.

118. The system of claim 117, wherein said infusion end of said first passageway further comprises a releasable connector for connecting said first fluid passageway to an infusion source.

119. The system of claim 118, wherein said first fluid passageway is configured to provide fluid communication between said patient end and said infusion end.

120. The system of claim 119, further comprising one or more valves for selectively controlling fluid communication between said infusion end and said patient end.

121. The system of claim 116, wherein said patient end of said fluid transport network comprises a releasable connector for establishing and maintaining fluid communication between a bodily fluid in a patient and said first fluid passageway.

122. The system of claim 116, wherein said fluid transport network further comprises a second fluid passageway connected to said first fluid passageway, and wherein said second fluid passageway is configured to provide fluid communication between said first fluid passageway and said sample analysis chamber.

123. The system of claim 122, further comprising one or more valves for selectively controlling fluid communication between said first and second fluid passageways.

124. The system of claim 123, wherein said pump unit is directionally controllable.

125. The system of claim 123, wherein said pump unit comprises a first pump operable in said infusion mode and a second pump operable in said sample draw mode.

126. The system of claim 123, wherein said pump unit is further configured to return a remainder of said drawn volume of bodily fluid to said patient via said fluid transport network.

127. The system of claim 123, wherein said pump unit comprises a first pump and a second pump, wherein said second pump is configured to pass said sample of bodily fluid to said sample analysis chamber and then to said waste container.

128. The system of claim 116, further comprising one or more valves for selectively controlling fluid communication between said sample analysis chamber and said waste receptacle.

129. A system for extracting and analyzing a bodily fluid of a patient at a point of care for said patient comprising:

a first fluid passageway having a patient end configured to be placed in fluid communication with a bodily fluid in a patient;

a sample analysis chamber configured to be placed in fluid communication with said first fluid passageway;

one or more pumps in operative engagement with said first fluid passageway, said one or more pumps configured to produce bi-directional flow through said first fluid passageway;

a spectroscopic fluid analyzer configured to analyze a sample of bodily fluid in said sample analysis chamber, and determine a concentration of at least one analyte;

and a waste container configured to be placed in fluid communication with said sample analysis chamber.

130. The system of claim 130, wherein said first fluid passageway further comprises an infusion end configured to be connected to an infusion fluid source.

131. The system of claim 130, wherein said one or more pumps have an infusion mode in which at least one of said one or more pumps delivers an infusion fluid to said patient through said patient end of said first passageway, and a sample draw mode in which at least one of said one or more pumps draws a volume of said bodily fluid from said patient through said patient end of said first passageway.

132. The system of claim 131, wherein said one or more pumps comprises one directionally controllable pump.

133. The system of claim 131, wherein said one or more pumps comprises at least two unidirectional pumps operatively configured to provide bi-directional flow in said first passage way.

134. The system of claim 131, further comprising one or more valves, wherein said one or more valves are operatively configured to selectively control fluid communication among said infusion end, said patient end and said sample analysis chamber.

135. The system of claim 134, wherein said one or more pumps are further configured to separate a fraction of bodily fluid from said drawn volume of bodily fluid and pass said fraction of bodily fluid toward said sample analysis chamber.

136. The system of claim 135, wherein said one or more pumps are further configured to pass said fraction of bodily fluid toward said waste container.

137. The system of claim 133, wherein said one or more pumps are further configured to return a remainder of said drawn volume of bodily fluid through said first fluid passageway to said patient end.

138. The system of claim 131, further comprising a second fluid passageway connected to said first fluid passageway, wherein said second fluid passageway provides fluid communication between said first fluid passageway and said sample analysis chamber.

139. The system of claim 138, wherein said second fluid passageway and said one or more pumps are configured to separate a fraction of bodily fluid from said drawn volume of bodily fluid and pass said fraction of bodily fluid through said second passageway toward said sample analysis chamber.

140. The system of claim 139, wherein said one or more pumps are configured to return a remainder of said drawn volume of bodily fluid through said first fluid passageway to said patient.

141. The system of claim 139, wherein said one or more pumps comprise a first pump and a second pump, wherein said second pump is configured to draw said fraction of said bodily fluid toward said sample analysis chamber and then toward said waste container.

142. A method of analyzing a bodily fluid, said method comprising:
establishing fluid communication between a fluid handling module and a bodily fluid in an extracorporeal fluid conduit, wherein said fluid handling module comprises at least one passageway;

drawing a volume of bodily fluid from said fluid conduit into said at least one passageway of said fluid handling module;

diverting a sample of bodily fluid from said drawn volume of bodily fluid, wherein said sample is a fraction of said drawn volume;

transporting at least a portion of said sample to a sample analysis chamber which is operatively engaged with an analyte detection system;

with said analyte detection system, analyzing at least a portion of said sample to determine a concentration of an analyte; and

transporting said sample to a waste receptacle.

143. The method of claim 142, further comprising maintaining fluid communication between said fluid handling module and said fluid conduit, while performing said analyzing.

144. The method of claim 143, further comprising returning a remainder of said drawn volume of bodily fluid to said fluid conduit.

145. The method of claim 144, wherein drawing a volume of bodily fluid comprises drawing said volume into a first passageway of said fluid handling module and returning further comprises reversing the direction of flow in said first passageway.

146. The method of claim 143, further comprising automatically drawing subsequent volumes of bodily fluid from said fluid conduit for analysis at predetermined intervals.

147. The method of claim 146, further comprising analyzing said subsequent drawn volumes of fluid.

148. The method of claim 142, wherein establishing comprises placing said fluid conduit in fluid communication with said at least one passageway.

149. The method of claim 148, further comprising the step of maintaining said fluid conduit in fluid communication with said first passageway.

150. The method of claim 149, further comprising the steps of:
connecting said at least one passageway to an infusion source containing an infusion liquid; and
periodically infusing said fluid conduit with said infusion liquid.

151. The method of claim 150, further comprising alternately drawing said bodily fluid from said fluid conduit and delivering said infusion liquid to said fluid conduit.

152. The method of claim 151, wherein said alternately drawing and delivering further comprises selectively controlling fluid communication among said at least one fluid passageway, said infusion source, and said fluid conduit.

153. The method of claim 151, wherein said alternately drawing and delivering further comprises alternately reversing the direction of flow in said at least one passageway.

154. The method of claim 151, further comprising automatically drawing said bodily fluid from said fluid conduit for analysis at a predetermined interval.

155. The method of claim 154, further comprising analyzing said bodily fluid drawn automatically from said fluid conduit.

156. A system for sampling and analyzing a bodily fluid of a patient, said system comprising:

- a first fluid passageway having a patient end which is configured to provide fluid communication with said bodily fluid within said patient;
- a second fluid passageway connected to said first fluid passageway;
- a sample analysis chamber accessible via said first fluid passageway;
- a reversible pump in operative engagement with said first fluid passageway wherein said pump is configured to provide bi-directional fluid flow through said patient end of said first fluid passageway; and

an analyte detection system configured to analyze at least one component of said bodily fluid while said at least one component is in said sample analysis chamber, and determine a concentration of at least one analyte.

157. The system of claim 156, wherein said reversible pump comprises a first mode in which said pump is operable to provide fluid flow toward said patient end and a second mode in which said pump is operable to provide fluid flow away from said patient end.

158. The system of claim 157, wherein:

said system further comprises an infusate source in communication with said first fluid passageway;

said reversible pump is operable in said first mode to deliver an infusate from said source toward said patient through said first fluid passageway; and

said reversible pump is operable in said second mode to draw a sample of said bodily fluid from said patient through said first fluid passageway.

159. The system of claim 158, further comprising a controller configured to alternate said reversible pump between said first mode and said second mode.

160. The system of claim 158, wherein:

said second fluid passageway is configured to provide fluid communication between said first fluid passageway and said sample analysis chamber; and

said reversible pump is operable to move said drawn sample of bodily fluid from said first fluid passageway through said second fluid passageway and toward said sample analysis chamber.

161. The system of claim 156, wherein said analyte detection system comprises a spectroscopic system.

162. A system for sampling and analyzing a bodily fluid of a patient, said system comprising:

a first fluid passageway having a patient end which is configured to provide fluid communication with said bodily fluid within said patient;

a second fluid passageway connected to said first fluid passageway;

a sample analysis chamber accessible via said first fluid passageway;

a bi-directional pump unit in operative engagement with said first fluid passageway wherein said pump unit is configured to provide bi-directional fluid flow through said patient end of said first fluid passageway; and

an analyte detection system configured to analyze at least one component of said bodily fluid while said at least one component is in said sample analysis chamber, and determine a concentration of at least one analyte.

163. The system of claim 162, wherein said pump unit comprises a first mode in which said pump unit is operable to provide fluid flow toward said patient end and a second mode in which said pump unit is operable to provide fluid flow away from said patient end.

164. The system of claim 163, wherein the pump unit comprises one or more pumps.

165. The system of claim 164, wherein the pump unit comprises a first pump for operating in said first mode and a second pump for operating in said second mode.

166. The system of claim 165, wherein:

said system further comprises an infusate source in communication with said first fluid passageway;

said pump unit is operable in said first mode to deliver an infusate from said source toward said patient through said first fluid passageway; and

said pump unit is operable in said second mode to draw a sample of said bodily fluid from said patient through said first fluid passageway.

167. The system of claim 166, further comprising a controller configured to alternate said pump unit between said first mode and said second mode.

168. The system of claim 166, wherein:

said second fluid passageway is configured to provide fluid communication between said first fluid passageway and said sample analysis chamber; and

said pump unit is operable to move said drawn sample of bodily fluid from said first fluid passageway through said second fluid passageway and toward said sample analysis chamber.

169. The system of claim 162, wherein said analyte detection system comprises a spectroscopic system.

170. A fluid handling module configured for removable engagement with a reusable main fluid handling instrument, said module comprising:

a housing;

an infusion fluid passageway having a first port and a second port spaced from said first port, and a lumen extending from said first port to said second port;

a sample fluid passageway connected to said infusion fluid passageway; and

a fluid component separator connected to said sample fluid passageway.

171. The fluid handling module of claim 170, wherein at least a portion of said infusion fluid passageway is enclosed by said housing.

172. The fluid handling module of claim 170, wherein at least a portion of said infusion fluid passageway extends from said housing.

173. The fluid handling module of claim 170, wherein the sample fluid passageway is in fluid communication with the infusion fluid passageway.

174. The fluid handling module of claim 170, wherein said fluid component separator is configured to remove at least a first component from a sample of bodily fluid drawn into said module.

175. The fluid handling module of claim 174, wherein the fluid component separator comprises a filter.

176. The fluid handling module of claim 175, wherein the filter is located in said sample fluid passageway.

177. The fluid handling module of claim 174, wherein the fluid component separator comprises a centrifuge.

178. The fluid handling module of claim 174, wherein the fluid component separator comprises a centrifuge rotor.

179. The fluid handling module of claim 178, wherein said centrifuge rotor is configured to interface with a centrifuge drive located on said main fluid handling instrument.

180. The fluid handling module of claim 174, further comprising a sample analysis cell in fluid communication with said fluid component separator.

181. The fluid handling module of claim 180 wherein said sample analysis cell is configured to hold at least a portion of said first component.

182. The fluid handling module of claim 174, wherein fluid component separator further comprises a sample analysis cell.

183. The fluid handling module of claim 174, further comprising a waste receptacle accessible via said sample fluid passageway.

184. The fluid handling module of claim 170, wherein the fluid component separator is located within said housing.

185. The fluid handling module of claim 170, wherein the fluid component separator is located on said housing.

186. A fluid handling module configured for removable engagement with a reusable main fluid handling instrument, said module comprising:

a module housing;

a first fluid passageway extending from said module housing, said first fluid passageway having a patient end remote from said housing, said first fluid passageway configured to provide fluid communication with a bodily fluid in a patient; and

a fluid component separator in fluid communication with said first fluid passageway, said fluid component separator configured to separate at least one component from a portion of said bodily fluid drawn from said patient.

187. The fluid handling module of claim 186, wherein the first fluid passage way further comprises an infusion end extending from the module housing and configured to be connected to an infusion source.

188. The fluid handling module of claim 186, wherein the patient end of the first fluid passageway further comprises a connector configured to provide fluid communication with a bodily fluid in a patient.

189. The fluid handling module of claim 186, further comprising a draw passageway, said draw passageway providing fluid communication between said fluid component separator and said first fluid passageway.

190. The fluid handling module of claim 189, wherein said fluid component separator is configured to remove at least a first component from a sample of bodily fluid.

191. The fluid handling module of claim 190, wherein the fluid component separator comprises a filter.

192. The fluid handling module of claim 191, wherein the filter is located in said draw passageway.

193. The fluid handling module of claim 190, wherein the fluid component separator comprises a centrifuge.

194. The fluid handling module of claim 190, wherein the fluid component separator comprises a centrifuge rotor.

195. The fluid handling module of claim 194, wherein said centrifuge rotor is configured to interface with a centrifuge drive located on said main fluid handling instrument.

196. The fluid handling module of claim 190, further comprising a sample analysis cell in fluid communication with said fluid component separator.

197. The fluid handling module of claim 196, wherein said sample analysis cell is configured to hold a portion of said first component.

198. The fluid handling module of claim 186, wherein said fluid component separator further comprises a sample analysis cell.

199. The fluid handling module of claim 186, further comprising a waste receptacle accessible via said first fluid passageway.

200. A method for preparing for analysis a bodily fluid, said method comprising:
attaching a removable fluid handling module to a main fluid handling instrument, wherein:

said fluid handling module comprises a module body, a fluid component separator connected to said module body, and a fluid passageway extending from said module body; and

said main fluid handling instrument comprises an analyte detection system;

drawing a volume of a bodily fluid from an extracorporeal fluid conduit into said fluid passageway;

transferring at least a portion of said drawn volume of bodily fluid to said fluid component separator;

with said fluid component separator, separating a first component from said bodily fluid;

with said analyte detection system, analyzing at least a portion of said separated first component to determine a concentration of an analyte.

201. The method of claim 200, further comprising maintaining fluid communication between said fluid handling module and said fluid conduit while performing said analyzing.

202. The method of claim 201, wherein said fluid passageway further comprises an infusion end spaced from said module, said method further comprising:

connecting said fluid passageway with an infusion source; and

periodically infusing a liquid from said infusing source into said fluid conduit.

203. The method of claim 200, wherein said fluid component separator comprises a filter and said separating comprises flowing said bodily fluid through said filter.

204. The method of claim 200, wherein said fluid component separator comprises a centrifuge and said separating comprises using centrifugal force to separate said first component from said bodily fluid.

205. The method of claim 200, wherein said fluid component separator comprises a centrifuge rotor, and wherein said main instrument further comprises a centrifuge drive, and wherein said attaching comprises interfacing said centrifuge rotor with said centrifuge drive.

206. The method of claim 205, wherein said separating comprises using centrifugal force to separate said first component from said bodily fluid.

207. The method of claim 200, further comprising transporting said first component to a sample analysis chamber.

208. The method of claim 207, wherein said sample analysis chamber is operatively configured to interface with said analyte detection system.

209. A fluid handling module configured for removable engagement with a reusable main fluid handling instrument, said module comprising:

a module housing;

a first fluid passageway extending from said module housing, said first fluid passageway having a patient end remote from said housing, said first fluid passageway configured to provide fluid communication with a bodily fluid in a patient;

a fluid component separator in fluid communication with said first fluid passageway, said fluid component separator configured to separate at least one component from a portion of said bodily fluid drawn from said patient; and

a spectroscopic sample cell configured to hold at least a portion of said first component.

210. The fluid handling module of claim 186, wherein said fluid component separator further comprises a filter.

211. The fluid handling module of claim 186, wherein said fluid component separator comprises a centrifuge.

212. The fluid handling module of claim 186, wherein said fluid component separator comprises a centrifuge rotor which is configured to engage a centrifuge drive located on said main fluid handling instrument.

213. The fluid handling module of claim 212, wherein said sample cell is located on said centrifuge rotor.

214. The fluid handling module of claim 186, wherein said sample cell is in fluid communication with said fluid component separator.

215. The fluid handling module of claim 186, wherein said sample cell comprises at least one window.

216. The fluid handling module of claim 215, wherein said window allows infrared radiation to pass into said sample cell.

217. The fluid handling module of claim 186, wherein said sample cell comprises at least two windows.

218. The fluid handling module of claim 217, wherein said windows allow infrared radiation to pass through said sample cell.

219. The fluid handling module of claim 186, wherein said sample cell is reagentless.

220. A system for measuring an analyte in a bodily fluid, said system comprising:
a main analysis and control instrument comprising an analyte detection system; and
a fluid handling module removably engageable with said main instrument, said fluid handling module further comprising:
a centrifuge having a centrifuge rotor which is rotatable about a centrifuge axis; and
a sample cell located on said rotor, said sample cell being rotatable with said rotor about said centrifuge axis;
said rotor and said sample cell being rotatable to a measurement position in which said sample cell operatively engages said analyte detection system.

221. The system of claim 220, wherein said fluid handling module further comprises a centrifuge drive motor configured to rotate said centrifuge rotor.

222. The system of claim 220, wherein said main analysis and control instrument further comprises a centrifuge drive motor and said fluid handling module further comprises a centrifuge drive motor interface configured to interface with said drive motor.

223. The system of claim 220, wherein said analyte detection system further comprises a source of electromagnetic radiation and a detector configured to detect said electromagnetic radiation, and wherein said sample cell is between said electromagnetic radiation source and said electromagnetic detector when said rotor is in said measurement position.

224. The system of claim 220, wherein said analyte detection system defines an optical axis, and where said sample cell is located on said optical axis when in said measurement position.

225. The system of claim 220, wherein said sample cell comprises at least one window.

226. The system of claim 225, wherein said window allows electromagnetic radiation to pass into said sample cell.

227. The system of claim 220, wherein said sample cell comprises at least two windows.

228. The system of claim 227, wherein said windows allow infrared radiation to pass through said sample cell.

229. The system of claim 220, wherein said sample cell is reagentless.

230. A method for analyzing a bodily fluid, said method comprising:
attaching a fluid handling module to a reusable fluid handling instrument,
wherein:

said fluid handling module comprises a fluid component separator, a spectroscopic sample cell and a first fluid passageway; and

said reusable fluid handling instrument comprises an analyte detection system;

drawing a volume of a bodily fluid from an extracorporeal fluid conduit into said first fluid passageway;

with said fluid component separator, separating a first component from said volume of bodily fluid drawn from said conduit;

holding at least a portion of said first component of said bodily fluid in said spectroscopic sample cell; and

with said analyte detection system, analyzing said first component to determine a concentration of an analyte.

231. The method of claim 230, further comprising aligning said spectroscopic sample cell with said analyte detection system.

232. The method of claim 231, wherein:

said spectroscopic sample cell comprises an optical window;

said analyte detection system comprises a source of electromagnetic radiation and an detector of electromagnetic radiation; and

said aligning comprises positioning said optical window of spectroscopic sample cell between said electromagnetic source and said detector.

233. The method of claim 231, wherein said main instrument further comprises a fluid component separator drive motor and said attaching comprises interfacing said fluid component separator with said drive motor.

234. The method of claim 233, wherein said fluid component separator comprises a centrifuge rotor and said separating comprises rotating said centrifuge rotor about said centrifuge axis.

235. The method of claim 233, wherein said spectroscopic sample cell is located on said centrifuge rotor and said aligning comprises rotating said centrifuge rotor to a

measurement position in which said sample cell operatively engages said analyte detection system.

236. A fluid handling and analysis system comprising:
a main analysis and control instrument; and
a fluid handling module removably engageable with said main instrument;
said main instrument comprising a spectroscopic bodily fluid analyzer and at least one control element;
said fluid handling module comprising a spectroscopic sample cell and at least one fluid handling element wherein said sample cell is accessible via said fluid handling element;
said at least one fluid handling element having a control interface configured to engage said at least one control element when said main instrument and said fluid handling module are engaged.

237. The system of claim 236, wherein said at least one fluid handling element is selected from the group consisting of a fluid passageway, a syringe, and a centrifuge rotor.

238. The system of claim 236, wherein said at least one control element is selected from the group consisting of a valve actuator, a pump actuator, a syringe drive and a centrifuge drive.

239. The system of claim 236, wherein said at least one control element is operatively configured to control fluid flow through said at least one fluid handling element.

240. The system of claim 236, wherein said at least one control element is operatively configured to control fluid communication between said spectroscopic sample cell and said fluid handling element.

241. The system of claim 236, wherein said fluid handling module further comprises a module body wherein said at least one control element interface is accessible to a control element of said main instrument through said module body.

242. The system of claim 241, wherein said module body encloses said at least one fluid handling element, said module body further comprising at least one opening operably positioned to provide access to said at least one control element interface.

243. The system of claim 242, wherein said at least one control element interface comprises a passageway portion extending across said at least one opening in said module body.

244. The system of claim 242, wherein said module body further encloses said sample cell, said module body comprising an opening operably positioned to allow access to said sample cell.

245. The system of claim 236, wherein said sample cell comprises at least one window.

246. The system of claim 245, wherein said window is constructed of a material through which infrared radiation can pass into said sample cell.

247. The system of claim 245, wherein said sample cell comprises at least two windows.

248. The system of claim 247, wherein said windows are constructed of a material through which infrared radiation can pass into said sample cell.

249. The system of claim 236, wherein said sample cell is reagentless.

250. A fluid handling module removably engageable with a bodily fluid analyzer, said module comprising:

a fluid handling network;

a spectroscopic analysis cell accessible via said fluid handling network;

said fluid handling network comprising at least one fluid handling element;

said at least one fluid handling element comprising at least one control element interface.

251. The module of claim 250, wherein said at least one fluid handling element is selected from the group consisting of a fluid passageway, a syringe, and a centrifuge rotor.

252. The module of claim 250, wherein said at least one control element interface is configured to engage a control element of said bodily fluid analyzer.

253. The module of claim 252, wherein said at least one control element is selected from the group consisting of a valve actuator, a pump actuator, a syringe drive and a centrifuge drive.

254. The module of claim 250, further comprising a module body wherein said at least one control element interface is accessible to a control element of said bodily fluid analyzer through said module body.

255. The module of claim 254, wherein said module body encloses said at least one fluid handling element, said module body further comprising at least one opening operably positioned to facilitate access to said at least one control element interface.

256. The module of claim 255, wherein said at least one control element interface comprises a passageway portion extending across said at least one opening in said module body.

257. The module of claim 250, wherein said sample cell comprises at least one window.

258. The module of claim 257, wherein said window is constructed of a material which allows infrared radiation to pass into said sample cell.

259. The module of claim 250, wherein said sample cell comprises at least two windows.

260. The module of claim 259, wherein said windows are constructed of a material which allow infrared radiation to pass through said sample cell.

261. The module of claim 250, wherein said sample cell is reagentless.

262. A method for analyzing a bodily fluid, said method comprising:
attaching a fluid handling module to a main analysis and control instrument,
wherein:

said fluid handling module comprises at least one fluid handling element having a control element interface, and a spectroscopic sample cell accessible via said fluid handling element; and

said main instrument comprises a bodily fluid analyzer and at least one control element;

engaging said control element interface of at least one fluid handling element with said at least one control element of said main instrument; and

controlling fluid flow between said at least one fluid handling element and said spectroscopic sample cell with said control element.

263. The method of claim 262, comprising connecting said fluid handling module to said bodily fluid in an extracorporeal fluid conduit, wherein said controlling comprises drawing a sample of said bodily fluid from said conduit into said spectroscopic sample cell.

264. The method of claim 263, further comprising the steps of:
interfacing said spectroscopic sample cell with said bodily fluid analyzer; and
analyzing said sample of said bodily fluid with said bodily fluid analyzer to measure the concentration of an analyte.

265. The method of claim 264, wherein said spectroscopic sample cell comprises at least one window and said interfacing comprises aligning said at least one window with said bodily fluid analyzer.

266. The method of claim 263, wherein:
said at least one fluid handling element comprises a centrifuge rotor;
said at least one control element comprises a centrifuge drive motor; and
said engaging comprises interfacing said centrifuge rotor with said drive motor.
267. The method of claim 266, wherein said controlling fluid flow comprises separating a first component from said bodily fluid in said fluid handling element and transporting said first component towards said spectroscopic sample cell.
268. The method of claim 263, wherein:
said at least one fluid handling element comprises a fluid passageway;
said at least one control element comprises a valve actuator; and
said controlling comprises selectively controlling fluid communication along said fluid passageway.
269. The method of claim 268, wherein said controlling comprises controlling fluid communication between said spectroscopic sample cell and said fluid handling element.
270. The method of claim 262, wherein:
said at least one fluid handling element comprises a syringe;
said at least one control element comprises a syringe drive; and
said engaging comprises interfacing said syringe with said drive motor.
271. A fluid handling module removably engageable with a bodily fluid analyzer, said module comprising:
a fluid handling element;
a fluid component separator accessible via said fluid handling element, said fluid component separator configured to separate at least one component of a bodily fluid transported to said fluid component separator;
said fluid handling element having at least one control element interface.

272. The module of claim 271, wherein said at least one fluid handling element comprises a fluid passageway.

273. The module of claim 272, wherein said at least one control element interface comprises a portion of said fluid passageway configured to engage with a valve actuator of said bodily fluid analyzer.

274. The module of claim 271, wherein said at least one fluid handling element comprises a syringe.

275. The module of claim 274, wherein said at least one control element interface further comprises a handle portion of said syringe.

276. The module of claim 271, wherein said at least one control element interface is configured to engage a control element of said bodily fluid analyzer.

277. The module of claim 271, wherein said fluid component separator further comprises a membrane.

278. The module of claim 271, wherein said fluid component separator comprises centrifuge.

279. The module of claim 271, wherein said fluid component separator comprises a centrifuge rotor.

280. The module of claim 279, wherein said centrifuge rotor is configured to engage a centrifuge motor of said bodily fluid analyzer.

281. The module of claim 271, further comprising a module housing wherein said at least one control element interface is accessible to a control element of said bodily fluid analyzer through said module body.

282. The module of claim 281, wherein said module housing encloses said at least one fluid handling element, said module housing further comprising at least one opening operably positioned to allow access to said at least one control element interface.

283. The module of claim 282, wherein said at least one control element interface further comprises a passageway portion extending across said at least one opening in said module housing.

284. A fluid handling and analysis system comprising:
a main analysis and control instrument; and
a fluid handling module removably engageable with said main instrument;
said main instrument further comprising a spectroscopic bodily fluid analyzer
and at least one control element;
said fluid handling module further comprising a fluid component separator
and at least one fluid handling element wherein said fluid component separator is
accessible via said fluid handling element;
said at least one fluid handling element having a control interface configured
to engage said at least one control element when said main instrument and said fluid
handling module are engaged.

285. The system of claim 284, wherein said at least one fluid handling element comprises a fluid passageway.

286. The system of claim 285, wherein said at least one control element comprises a valve actuator.

287. The system of claim 284, wherein said at least one fluid handling element comprises a syringe.

288. The system of claim 287, wherein said at least one control element comprises a syringe drive.

289. The system of claim 284, wherein said at least one control element is operatively configured to control fluid flow in said at least one fluid handling element.

290. The system of claim 284, wherein said at least one control element is operatively configured to control fluid communication between said fluid component separator and said at least one fluid handling element.

291. The system of claim 284, wherein said fluid handling module further comprises a module housing wherein said at least one control element interface is accessible to said at least one control element of said main instrument through said module housing.

292. The system of claim 291, wherein said module housing encloses said at least one fluid handling element, said module housing further comprising at least one opening operably positioned to allow access to said at least one control element interface.

293. The system of claim 292, wherein said at least one control element interface comprises a passageway portion extending across said at least one opening in said module body.

294. The system of claim 291, wherein said module housing encloses said fluid component separator, said module housing further comprising a second opening operably positioned to allow access to said fluid component separator.

295. The system of claim 294, wherein said fluid component separator comprises a centrifuge rotor configured to engage a centrifuge motor of said main instrument and wherein said second opening is configured to allow access to said centrifuge rotor.

296. The system of claim 291, wherein said fluid component separator is located on said module housing.

297. The system of claim 284, wherein said fluid component separator is configured to remove at least a first component from a sample of a bodily fluid transported to said fluid component separator.

298. The system of claim 284, wherein said fluid component separator comprises a membrane.

299. The system of claim 284, wherein said fluid component separator comprises a centrifuge.

300. The system of claim 284, wherein said fluid component separator comprises a centrifuge rotor.

301. The system of claim 300, wherein said centrifuge rotor is configured to engage a centrifuge drive located on said main instrument.

302. A method for analyzing a bodily fluid, said method comprising:
attaching a fluid handling module to a main analysis and control instrument,
wherein:

said fluid handling module comprises at least one fluid handling element having a control element interface and a fluid component separator accessible via said fluid handling element; and

said main instrument comprises a bodily fluid analyzer and at least one control element;

engaging said at least one control element interface of said fluid handling element with said at least one control element of said main instrument; and

controlling fluid flow between said at least one fluid handling element and said fluid component separator with said control elements.

303. The method of claim 300, further comprising connecting said fluid handling module to said bodily fluid in an extracorporeal fluid conduit, wherein said controlling comprises drawing a sample of said bodily fluid from said conduit into said fluid component separator.

304. The method of claim 303, further comprising:

with said fluid component separator, separating a first component from said drawn portion of bodily fluid; and

with said bodily fluid analyzer, analyzing said first component of said bodily fluid to determine the concentration of an analyte.

305. The method of claim 304, wherein said fluid handling module further comprises a sample cell in fluid communication with said fluid component separator, said method further comprising:

holding at least a portion of said first component of said bodily fluid in said sample cell; and

with said bodily fluid analyzer, analyzing said first component of bodily fluid in said sample cell.

306. The method of claim 305, further comprising interfacing said sample cell with said bodily fluid analyzer.

307. The method of claim 300, wherein said fluid component separator comprises a centrifuge rotor and said main instrument further comprises a centrifuge drive motor and said engaging comprises interfacing said centrifuge rotor with said drive motor.

308. The method of claim 300, wherein:

said at least one fluid handling element comprises a fluid passageway;

said at least one control element comprises a valve actuator; and

said controlling comprises selectively controlling fluid communication along said fluid passageway.

309. The method of claim 308, wherein said controlling comprises controlling fluid communication between said fluid component separator and said fluid handling element.

310. The method of claim 308, wherein said controlling comprises reversing the direction of fluid flow in said fluid handling element.

311. The method of claim 300, wherein:
said at least one fluid handling element comprises a syringe;
said at least one control element further comprises a syringe drive; and
said engaging comprises interfacing said syringe with said drive motor.

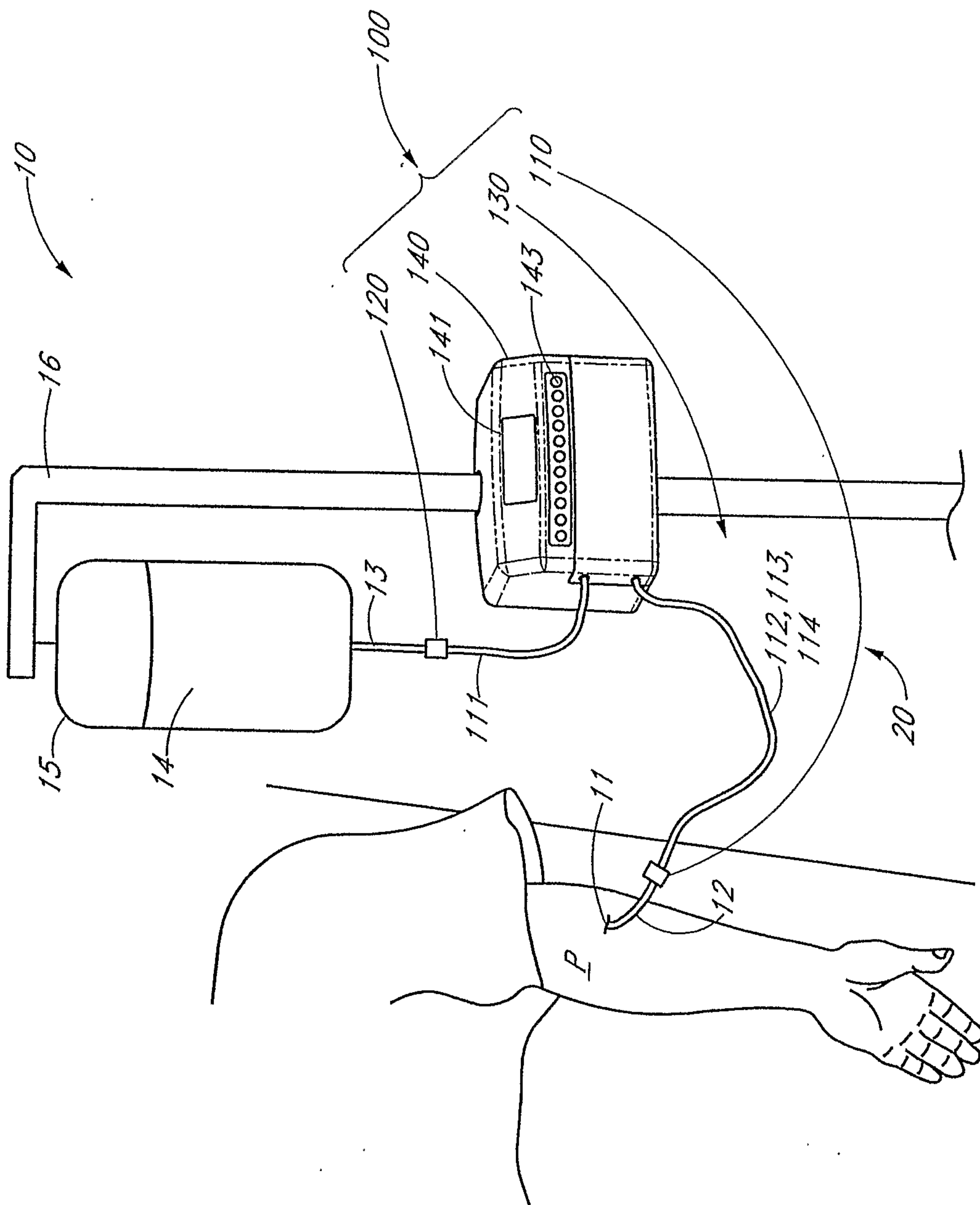


FIG. 1

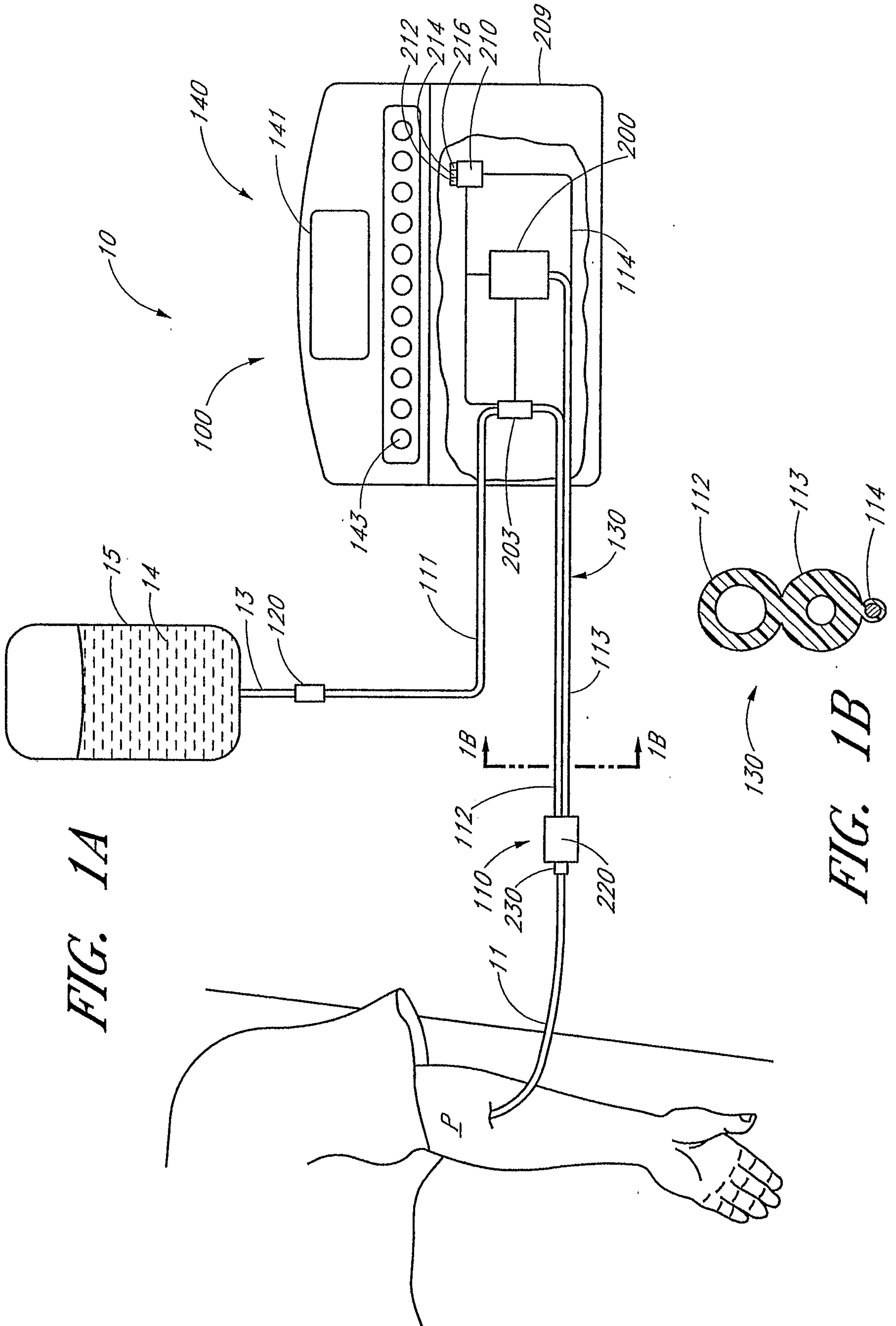


FIG. 1A

FIG. 1B

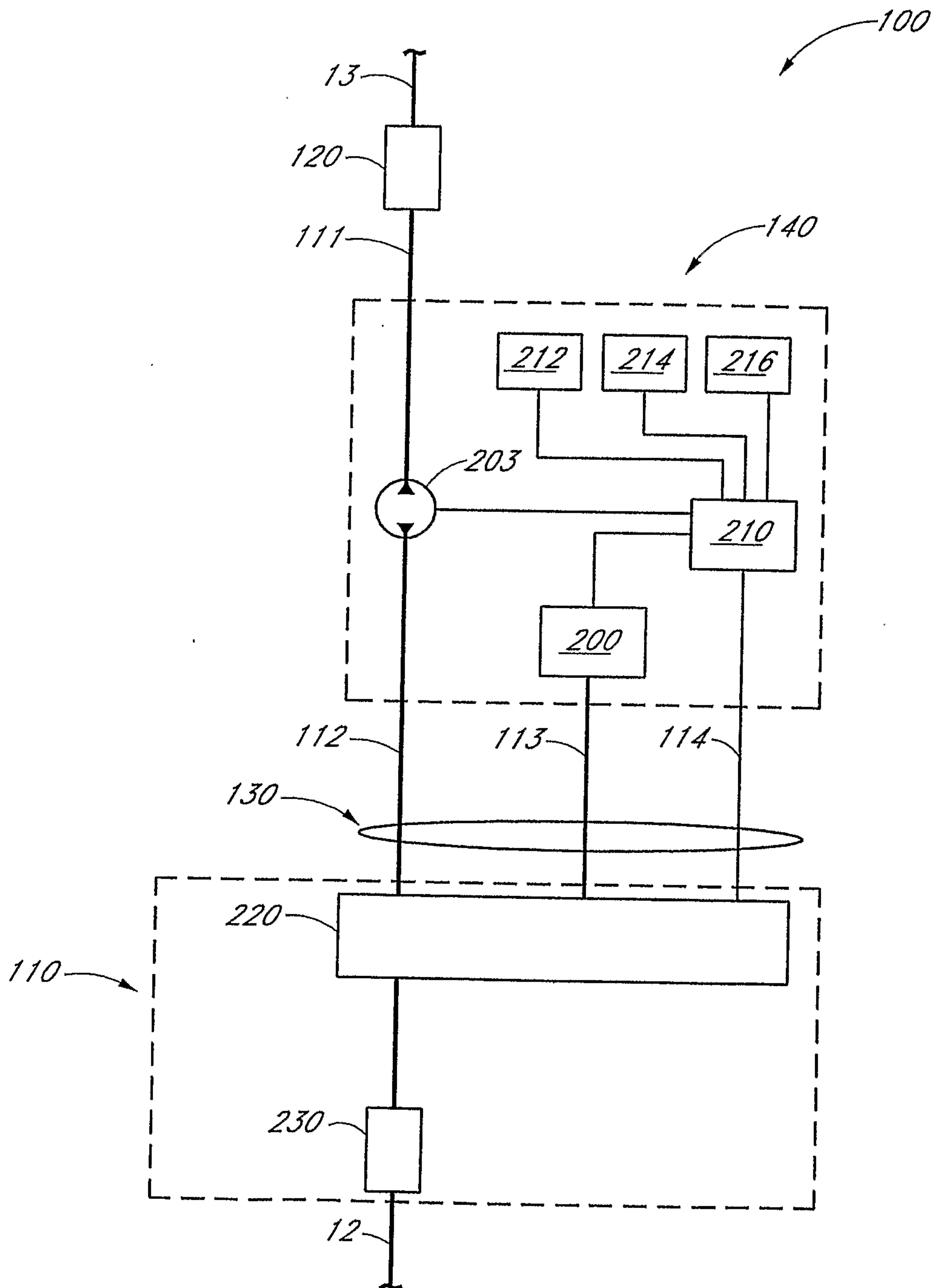


FIG. 2

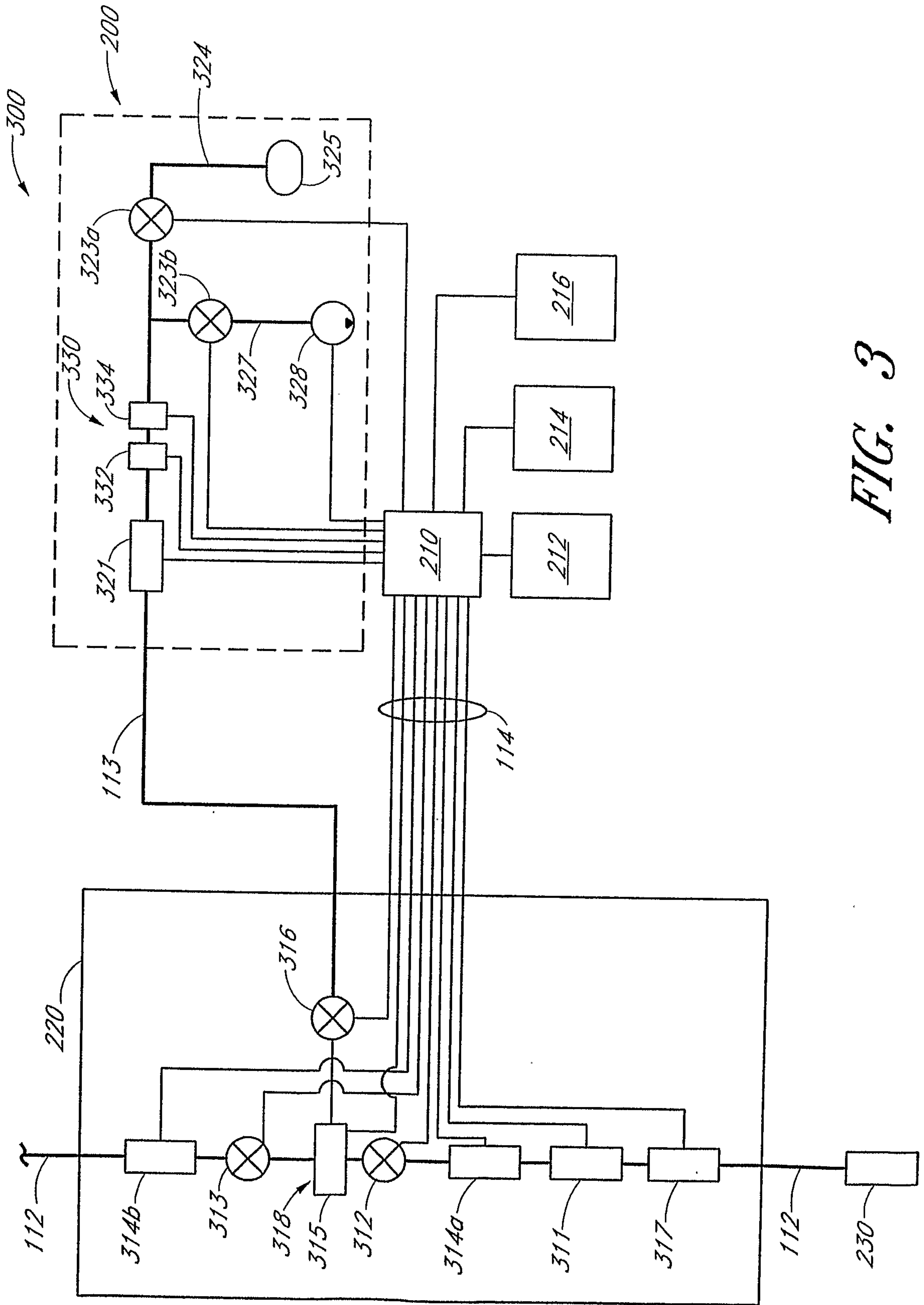


FIG. 3

400

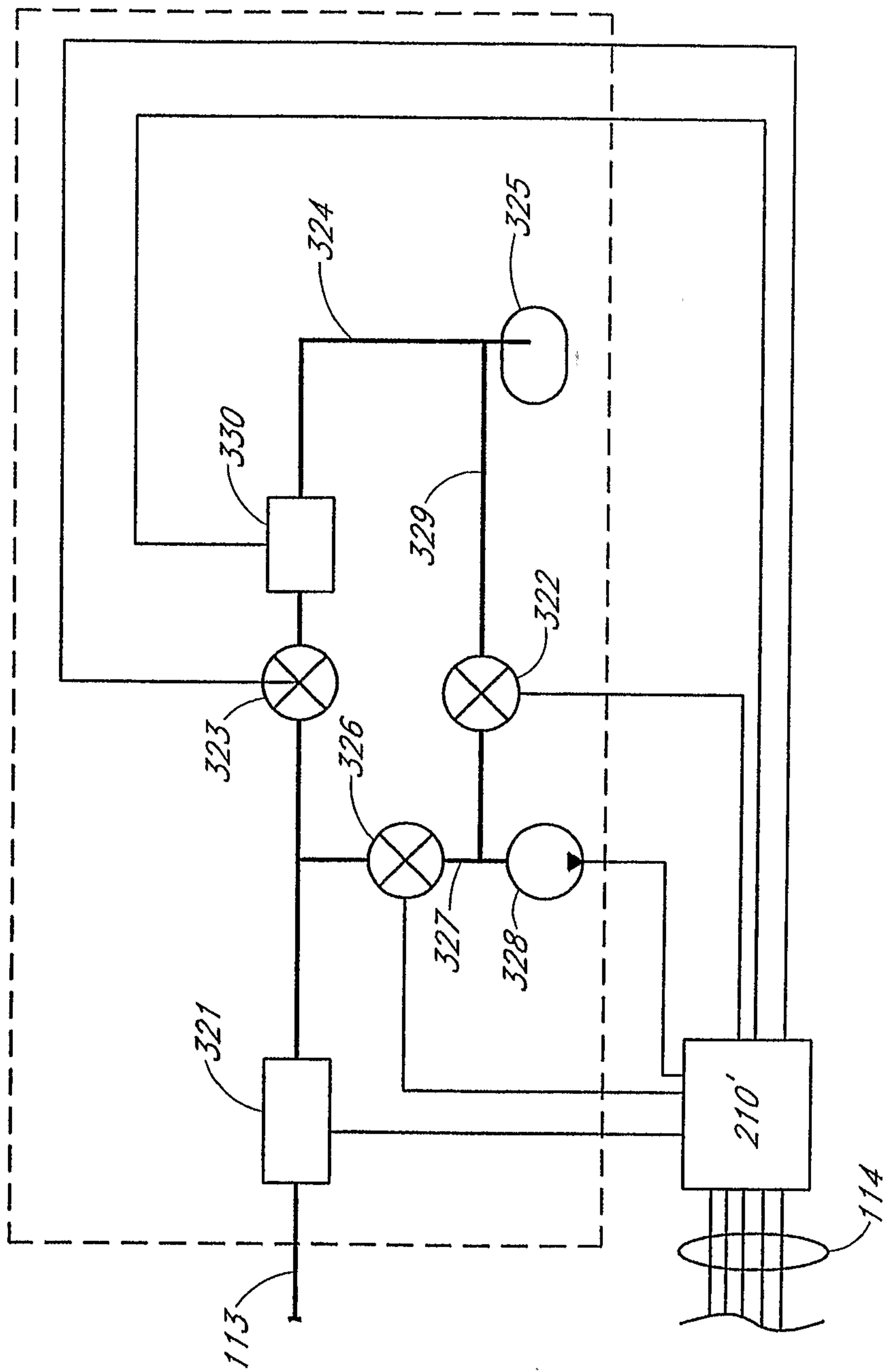


FIG. 4

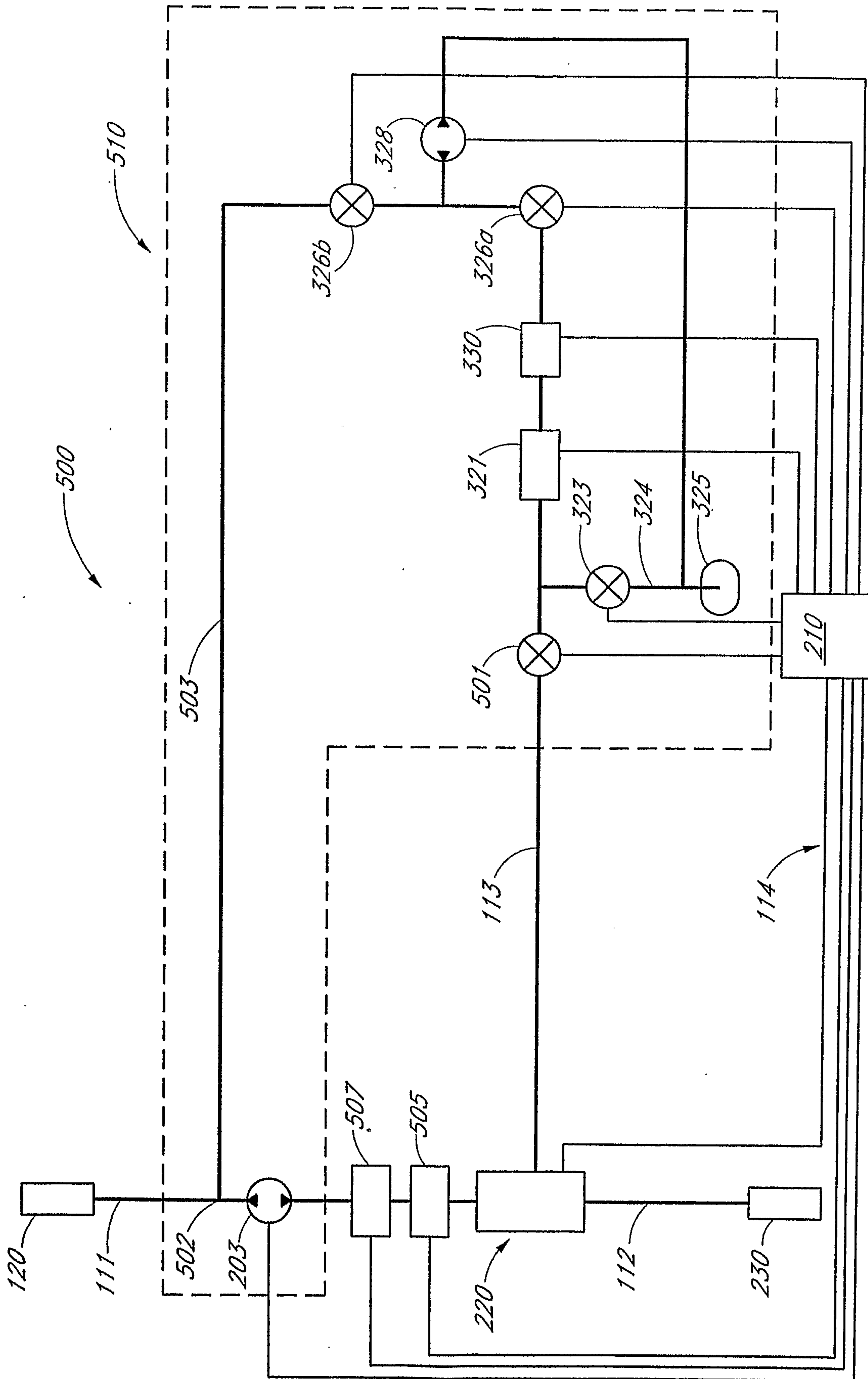


FIG. 5

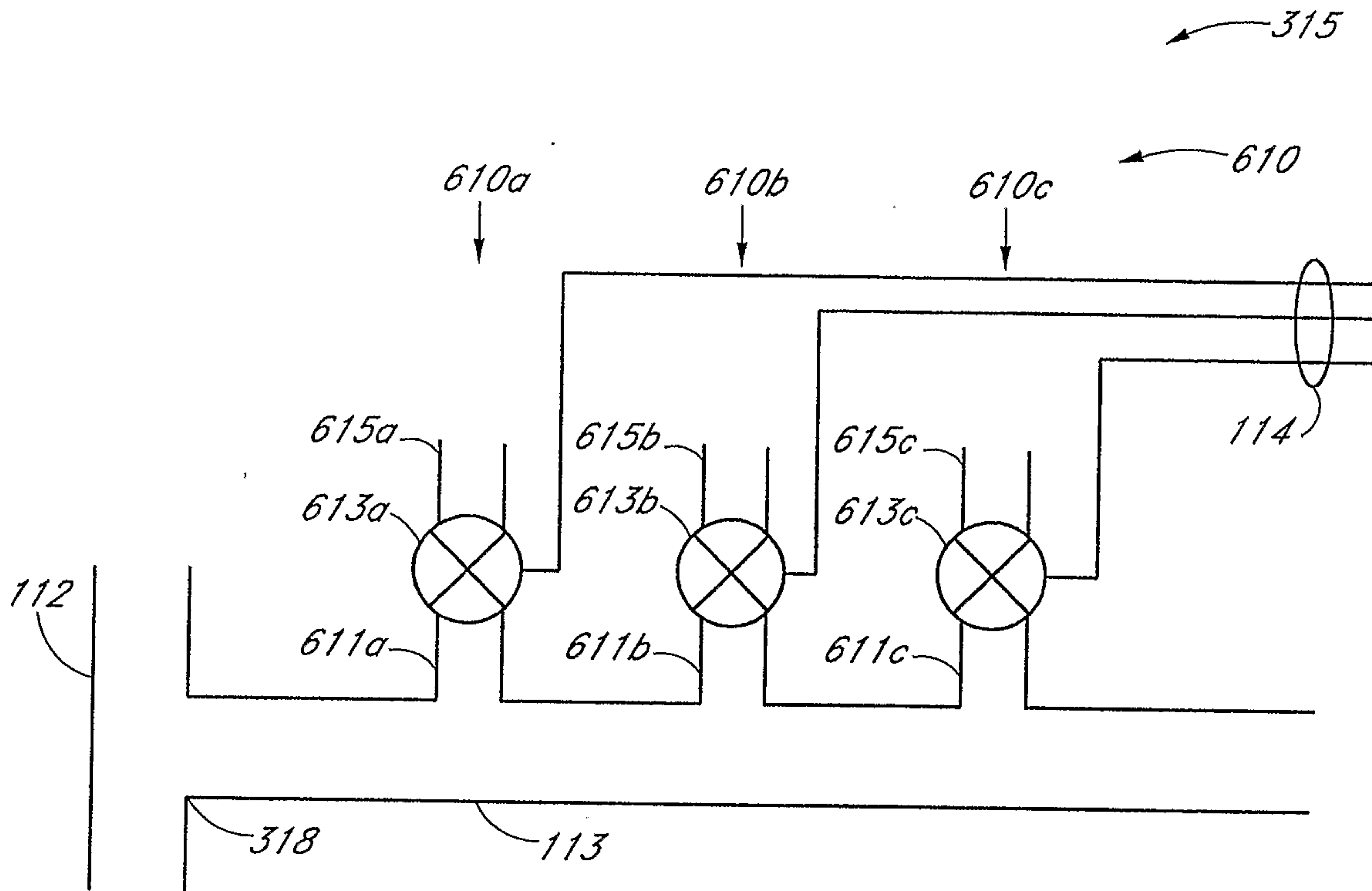


FIG. 6A

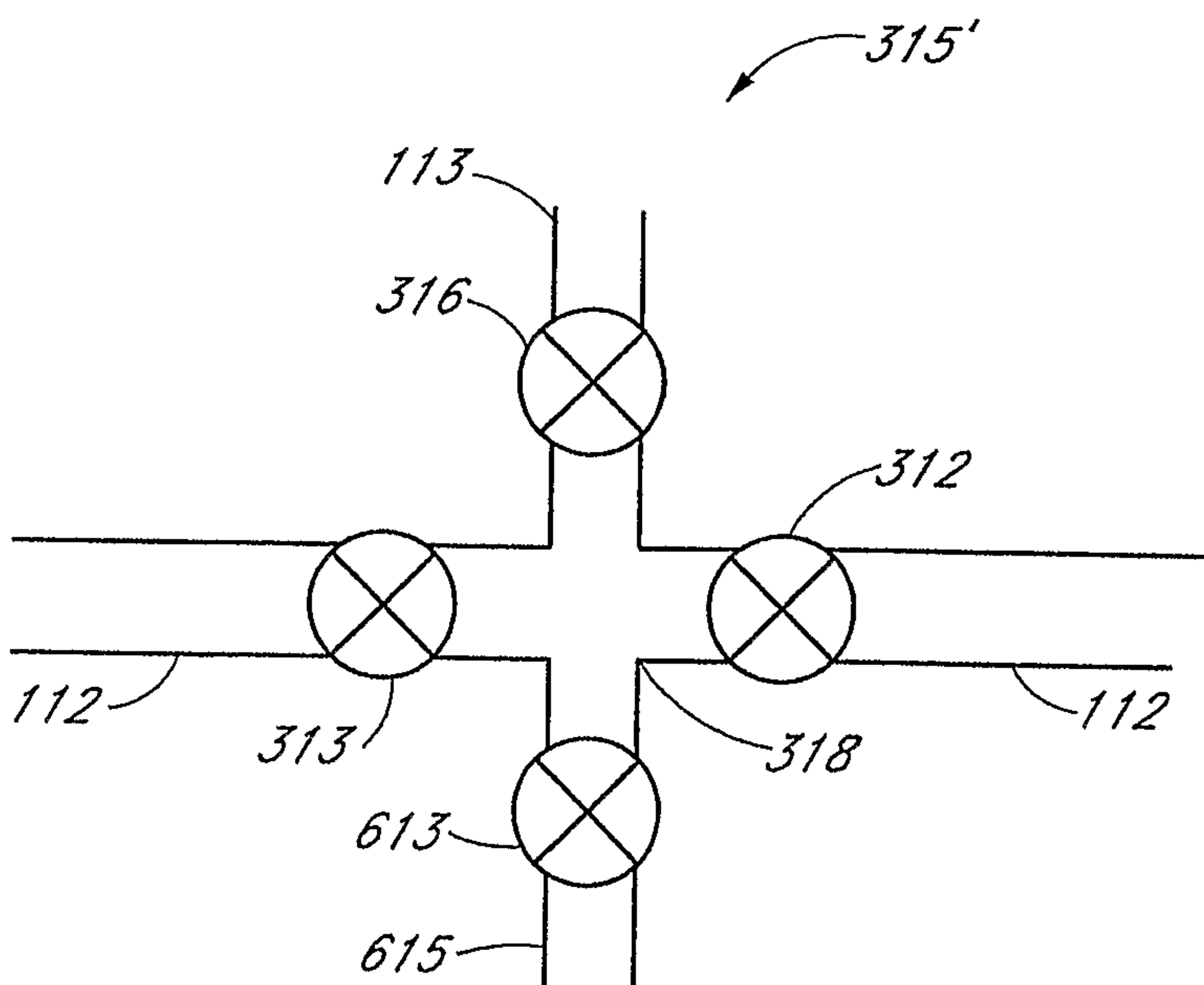


FIG. 6B

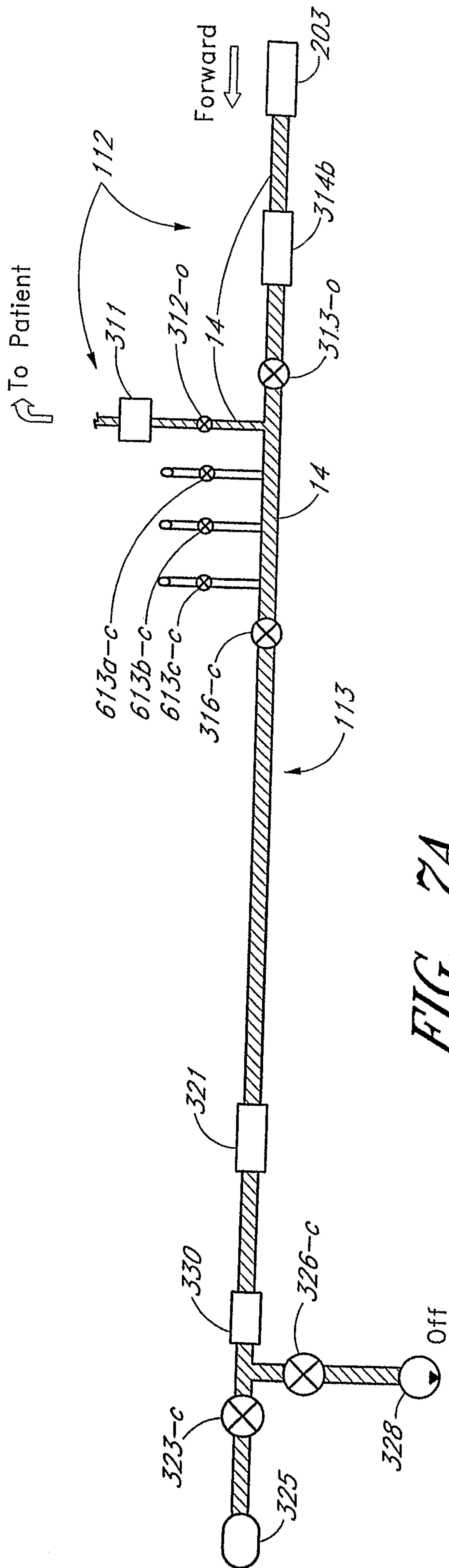


FIG. 7A

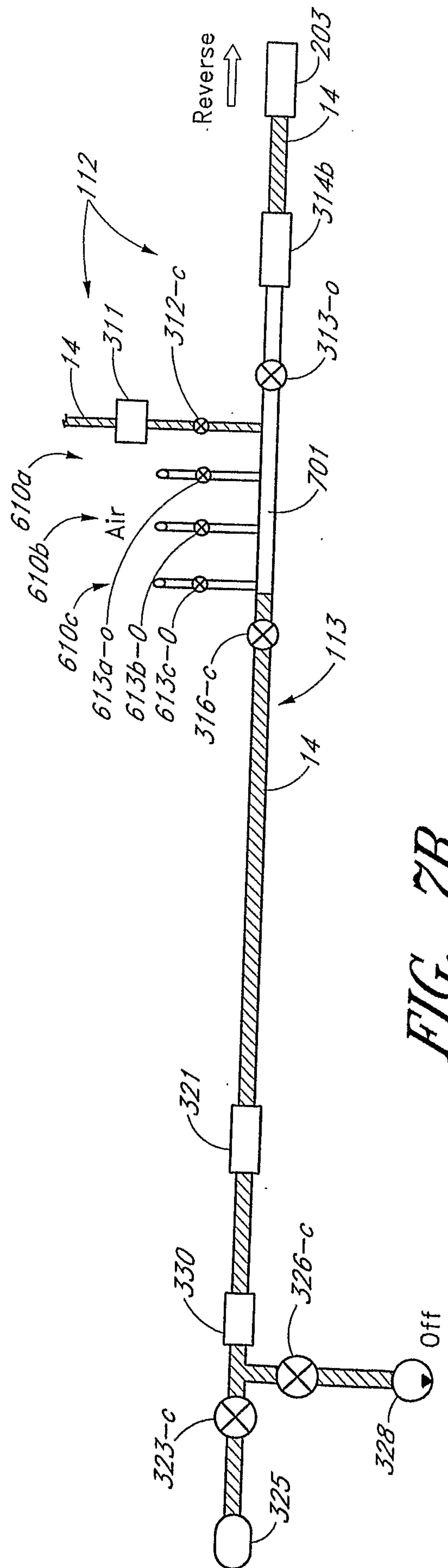


FIG. 7B

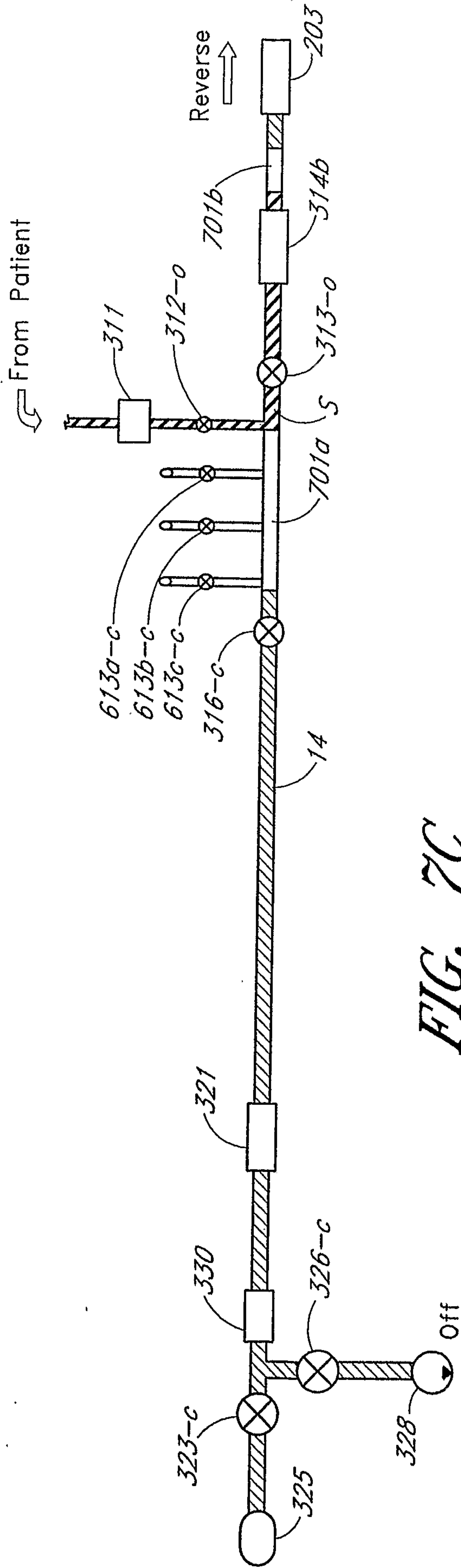


FIG. 7C

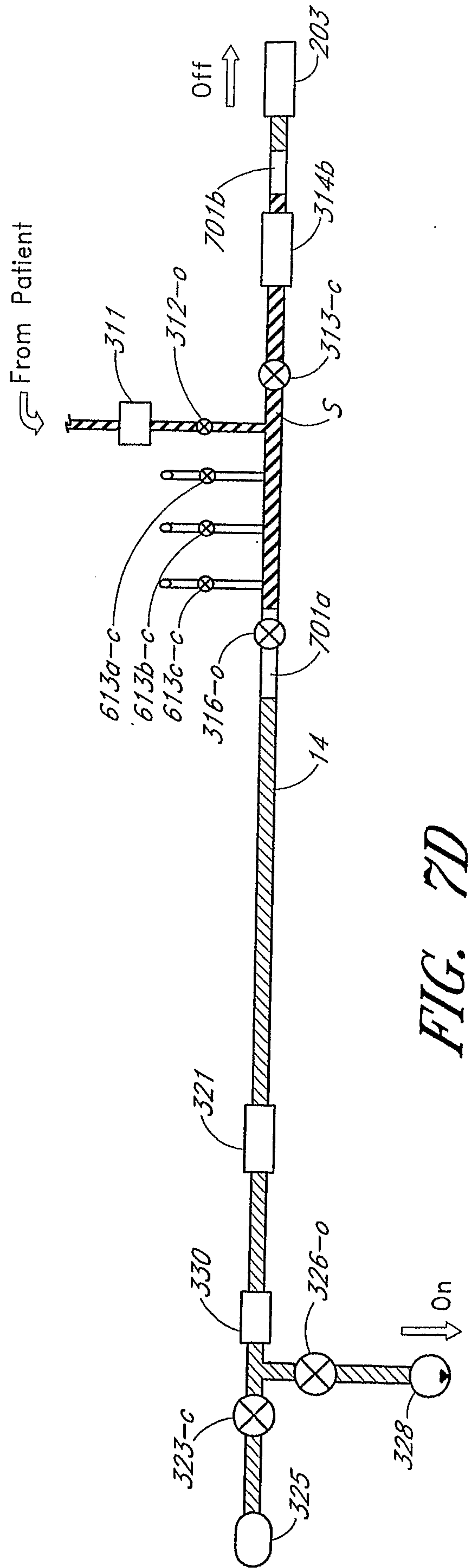


FIG. 7D

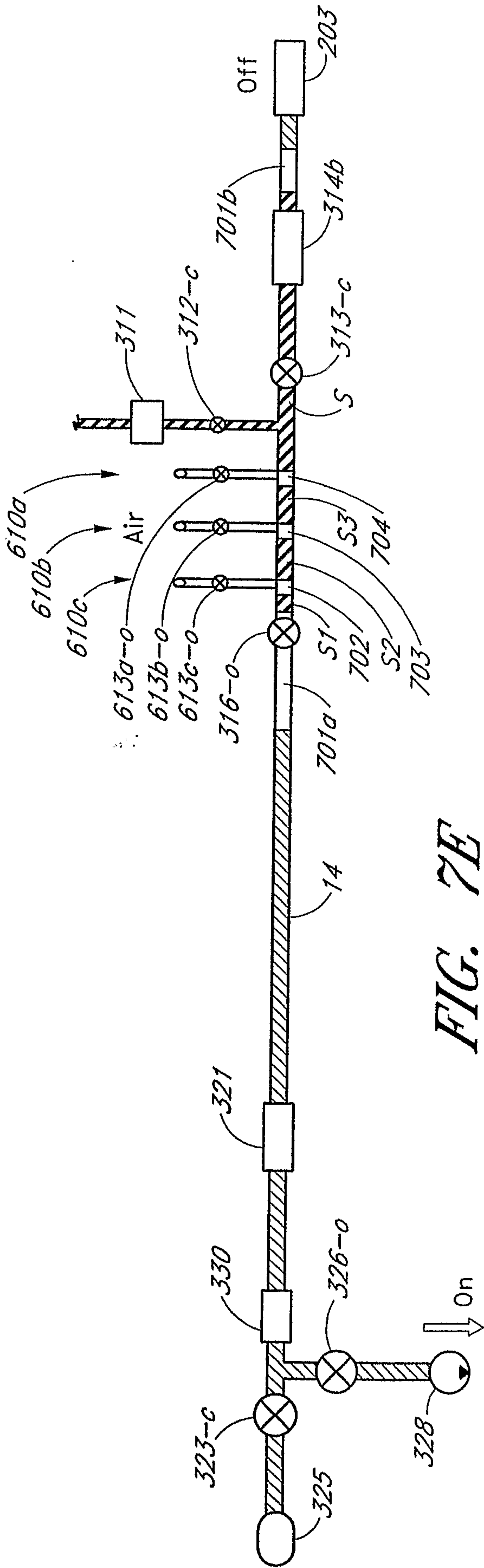


FIG. 7E

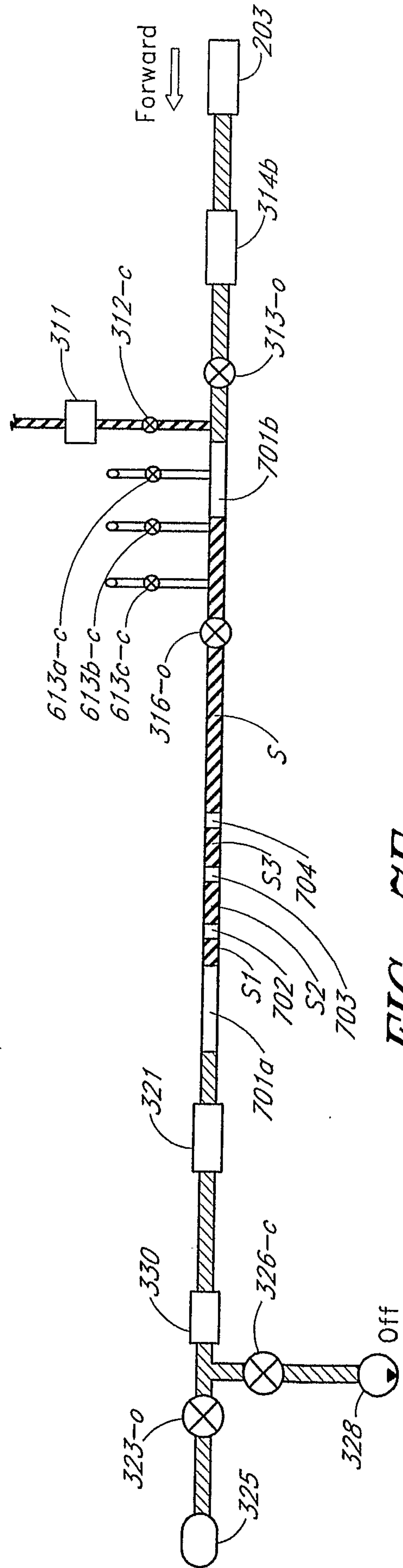


FIG. 7F

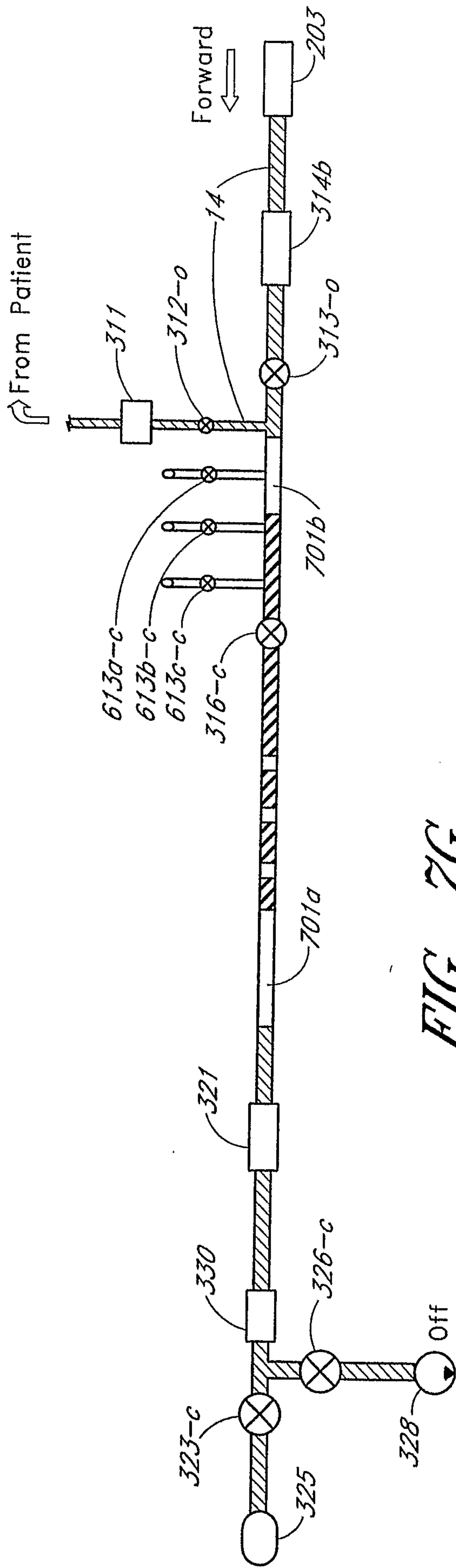


FIG. 7G

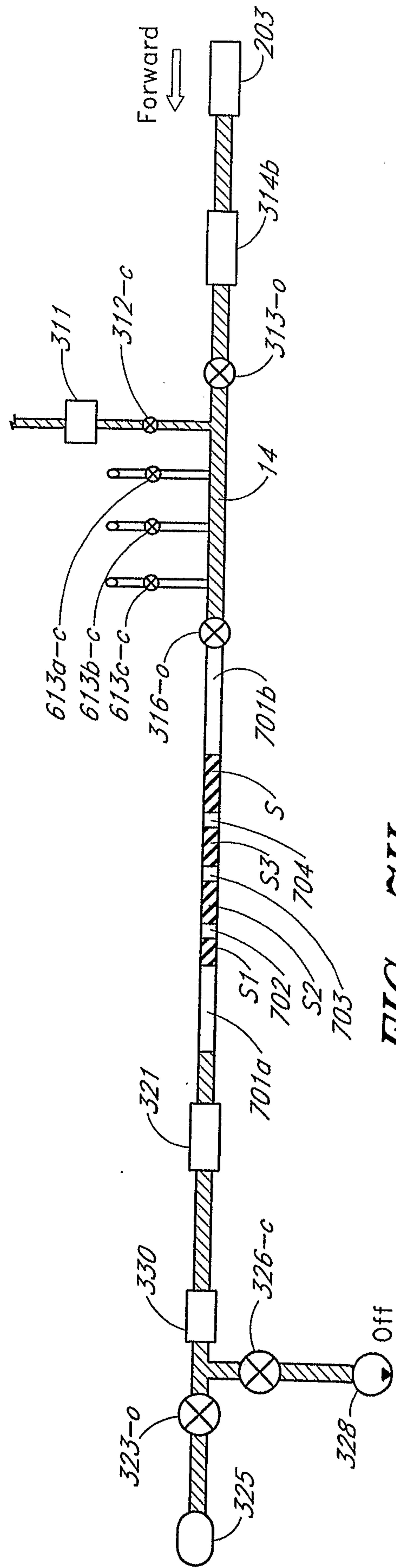


FIG. 7H

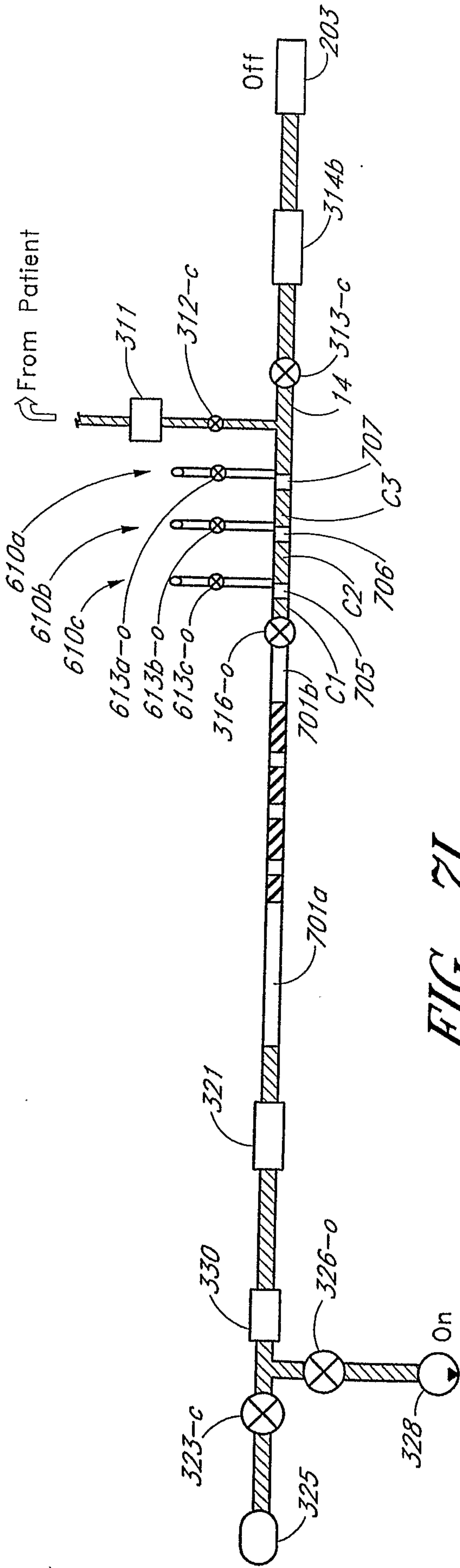


FIG. 7I

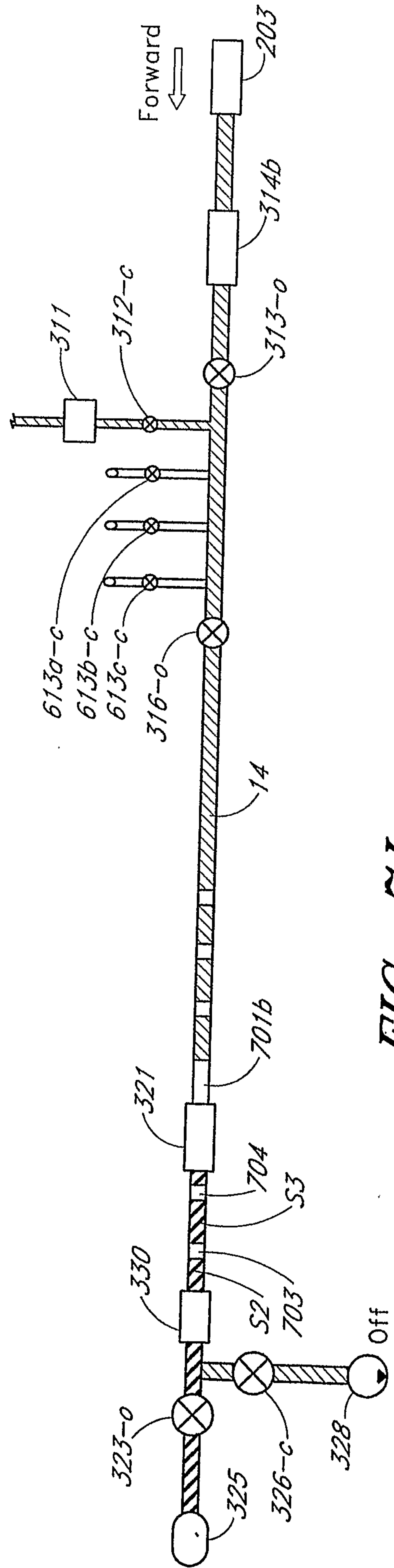


FIG. 7J

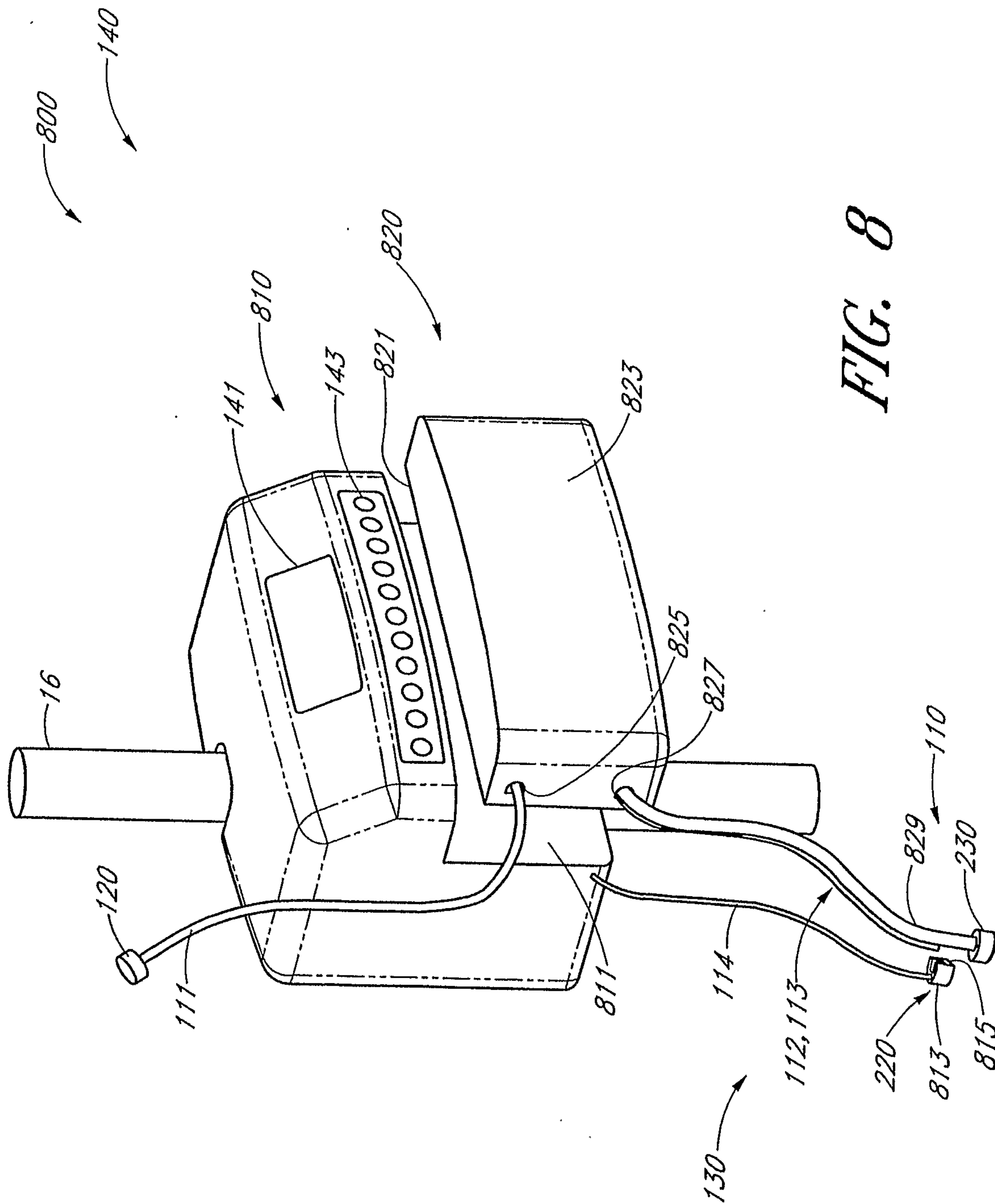


FIG. 8

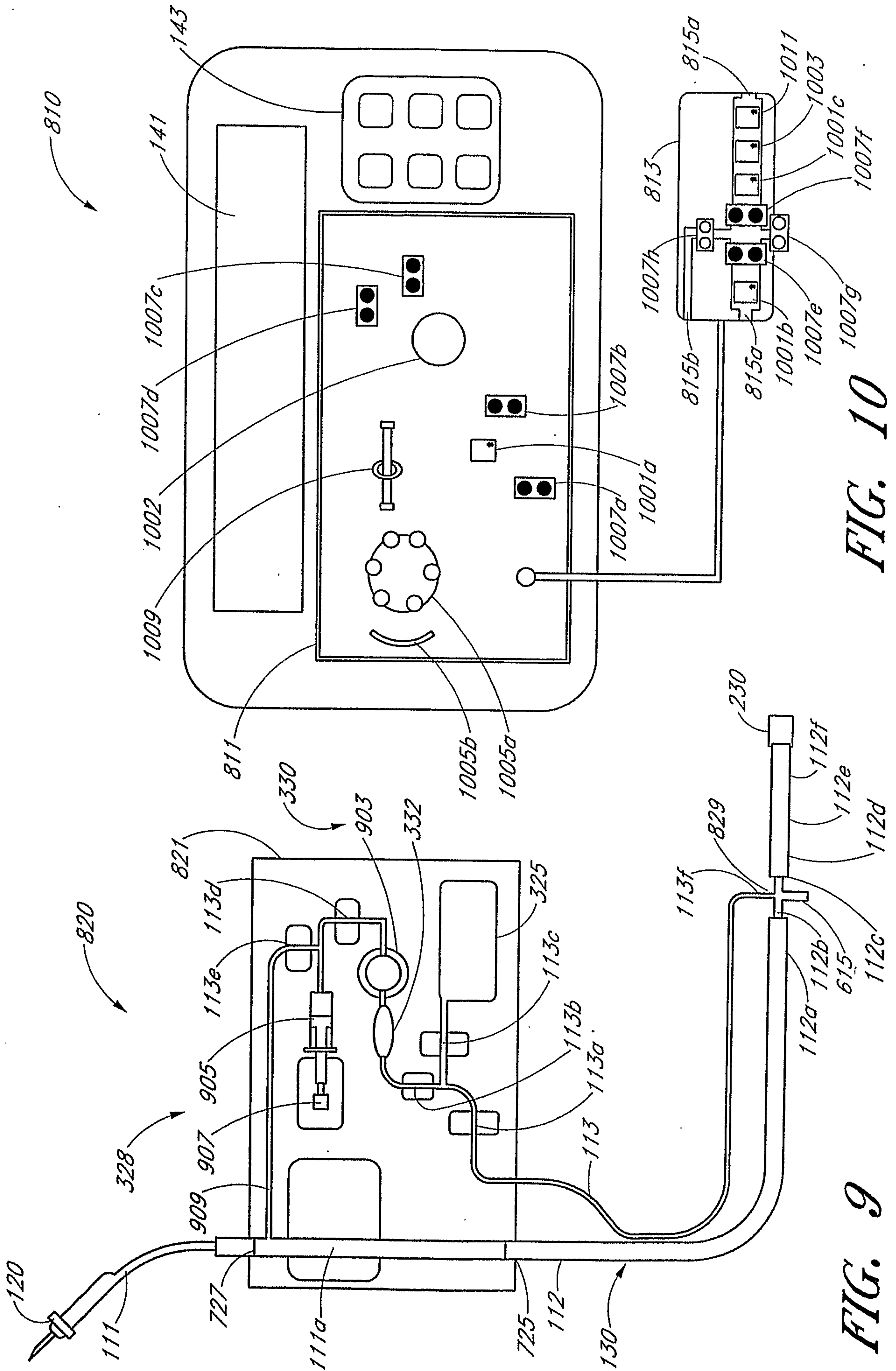


FIG. 10

FIG. 9

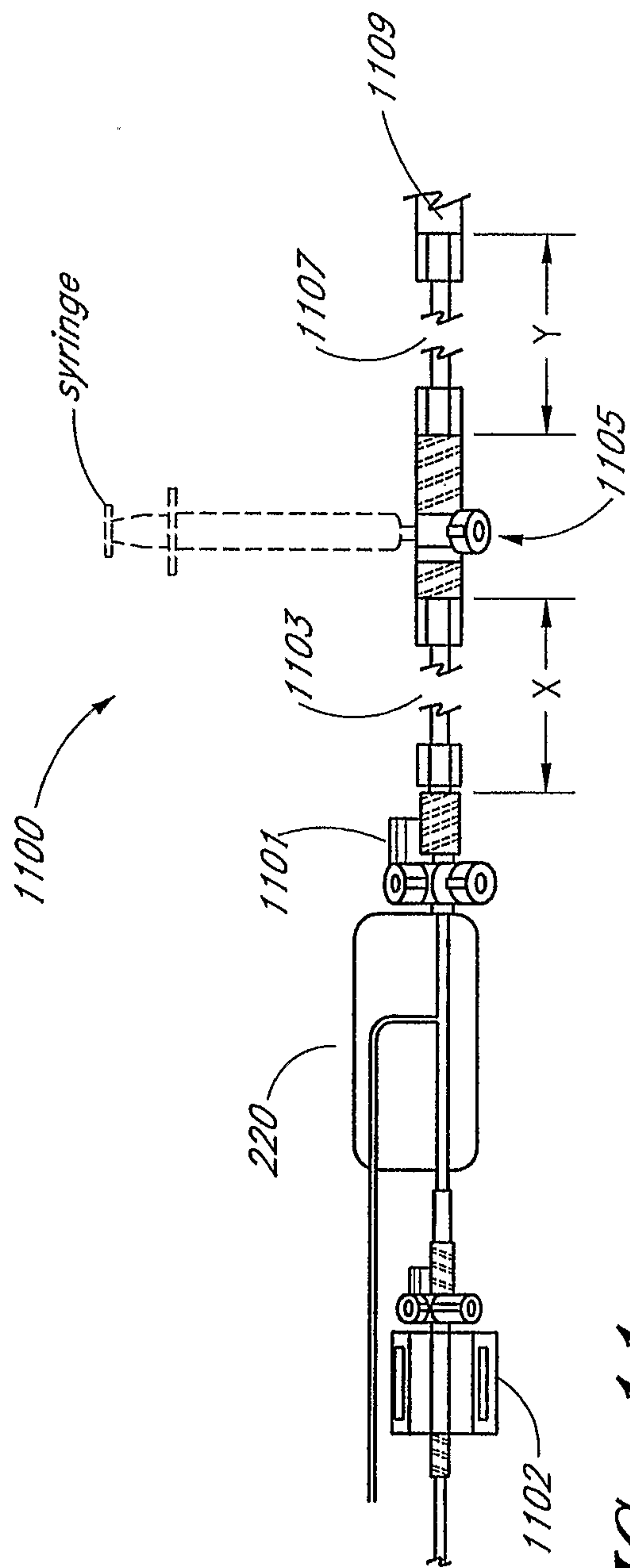


FIG. 11

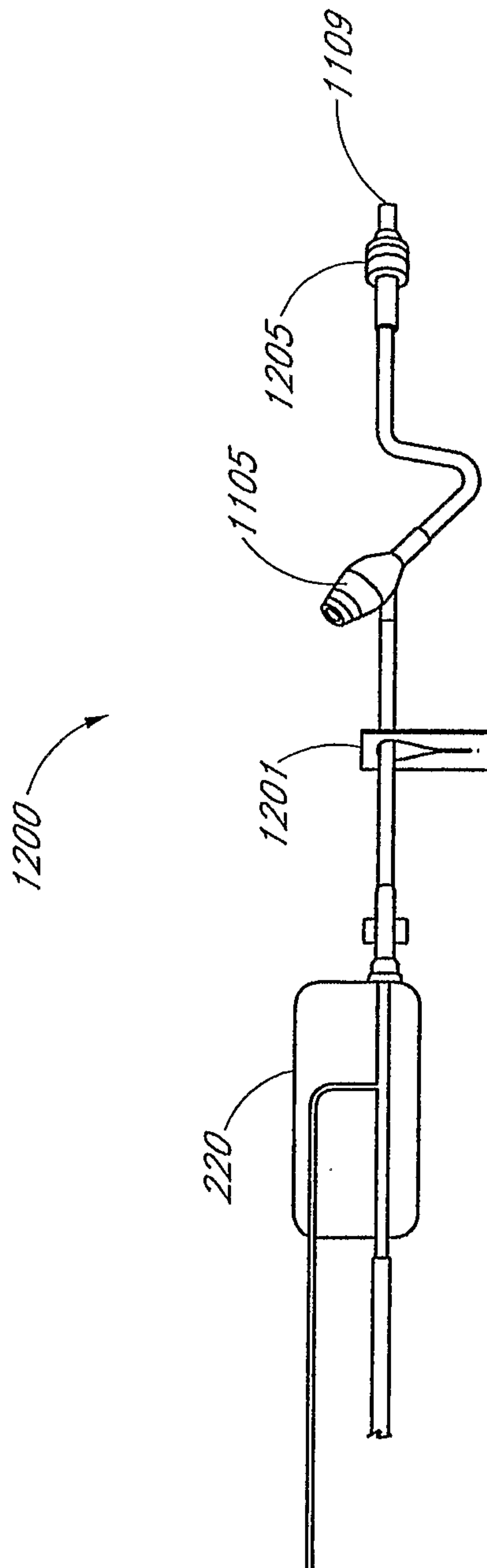


FIG. 12

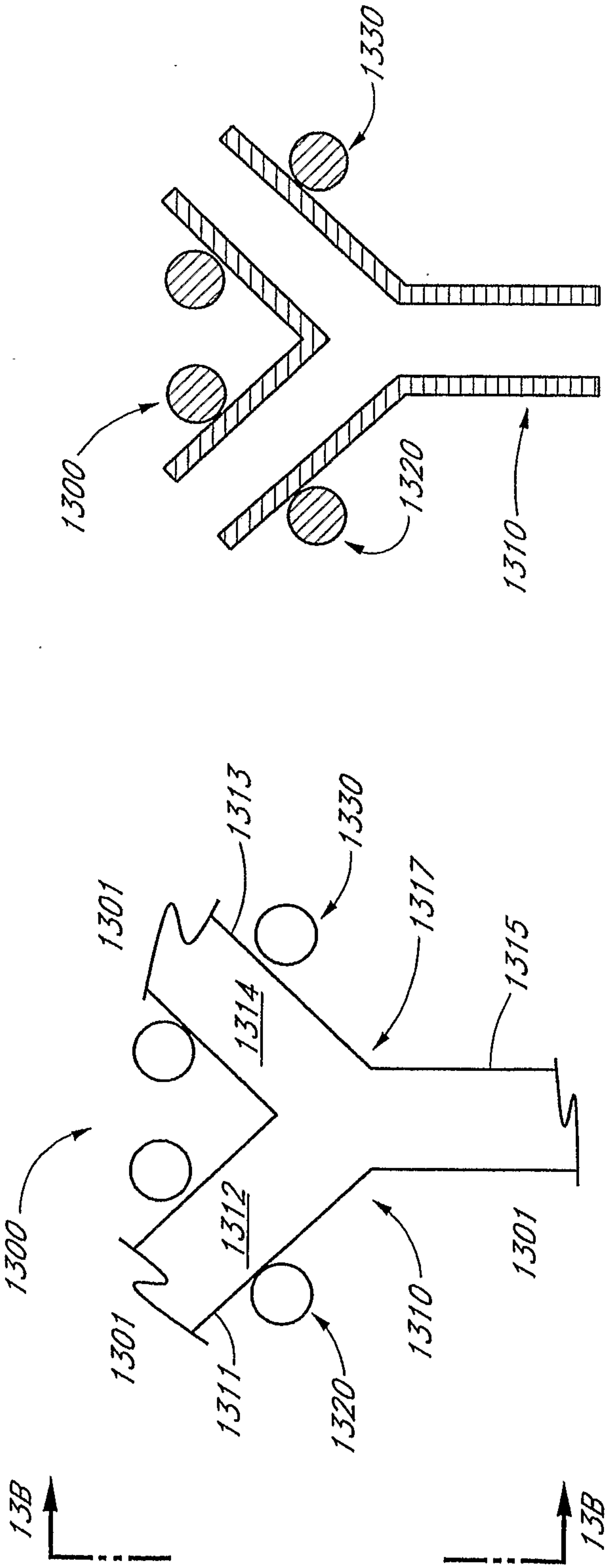


FIG. 13B

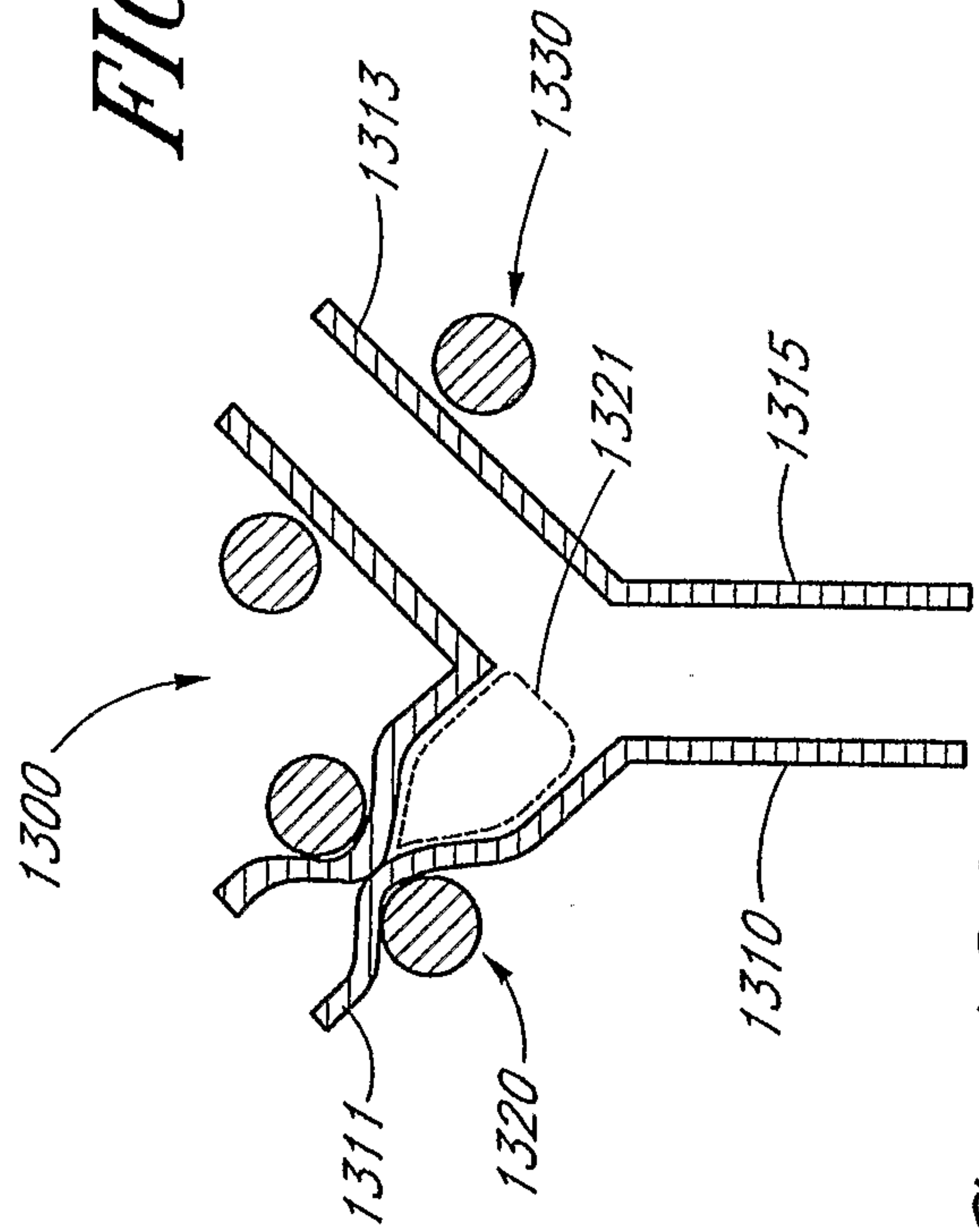


FIG. 13C

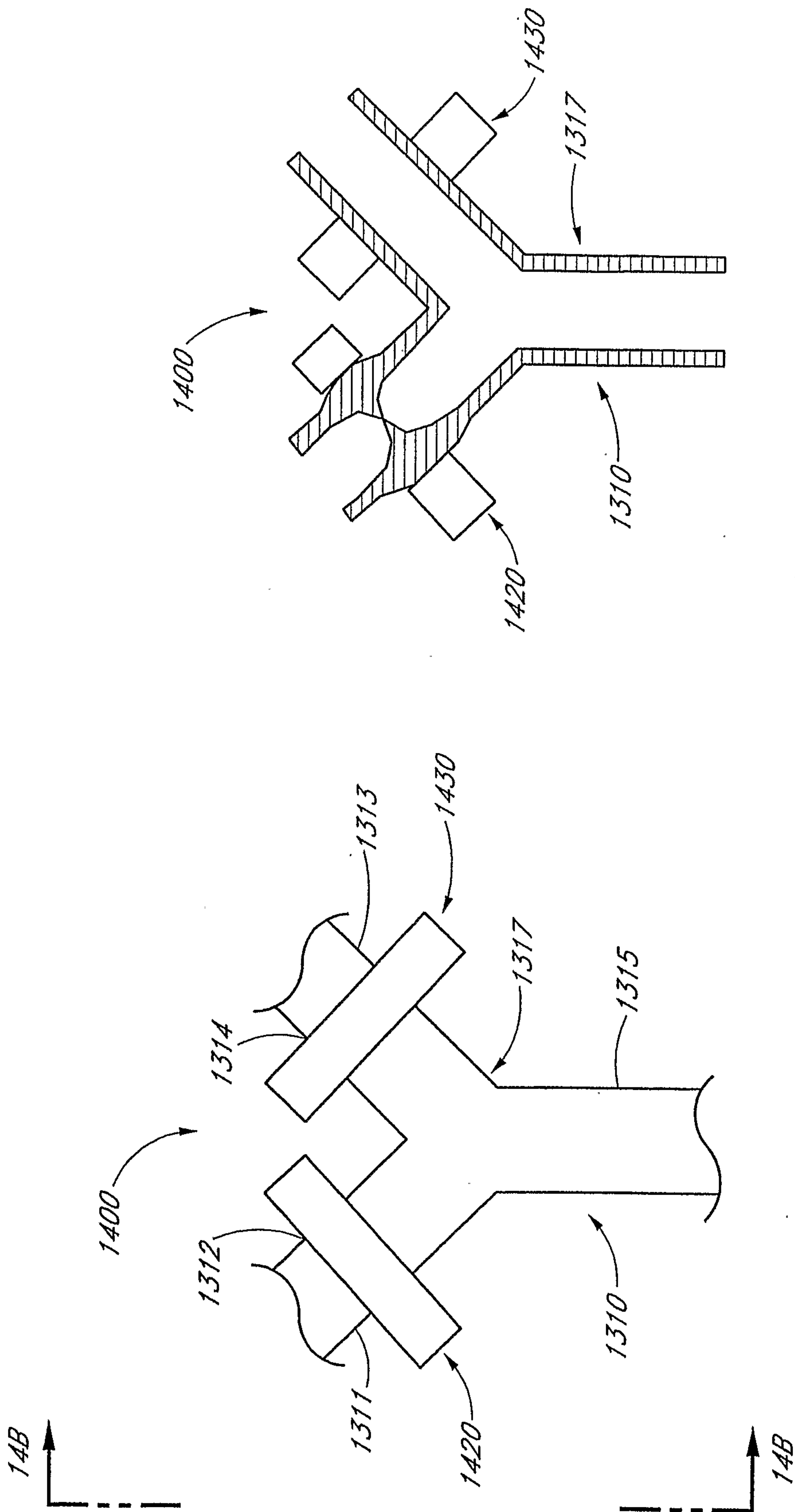


FIG. 14B

FIG. 14A

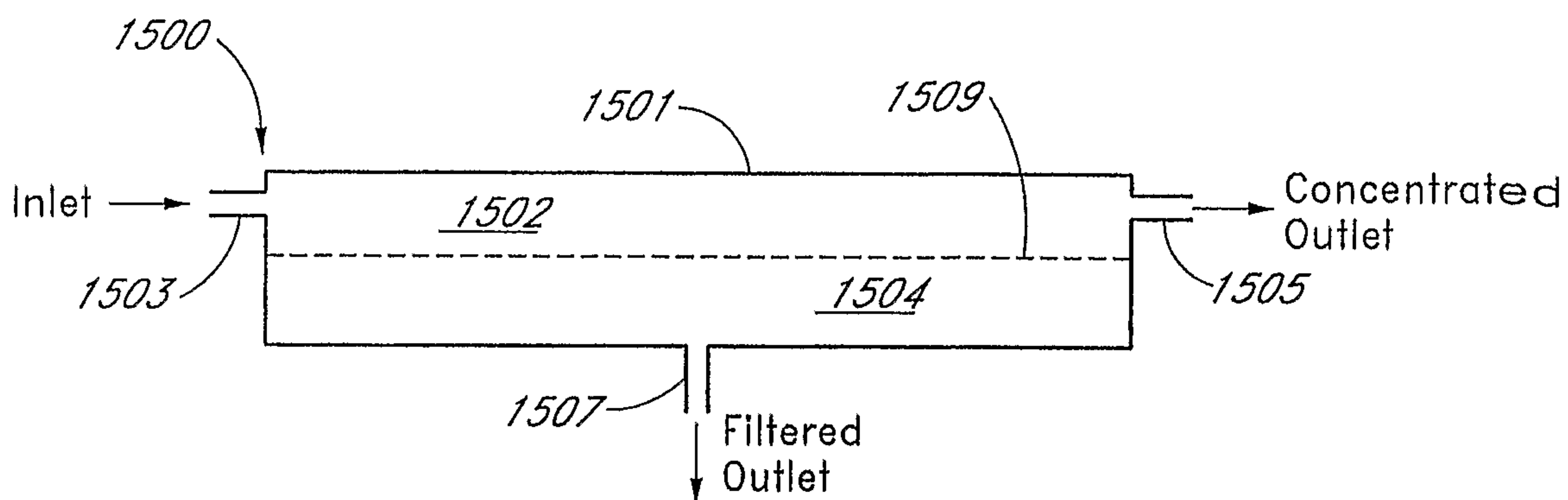


FIG. 15

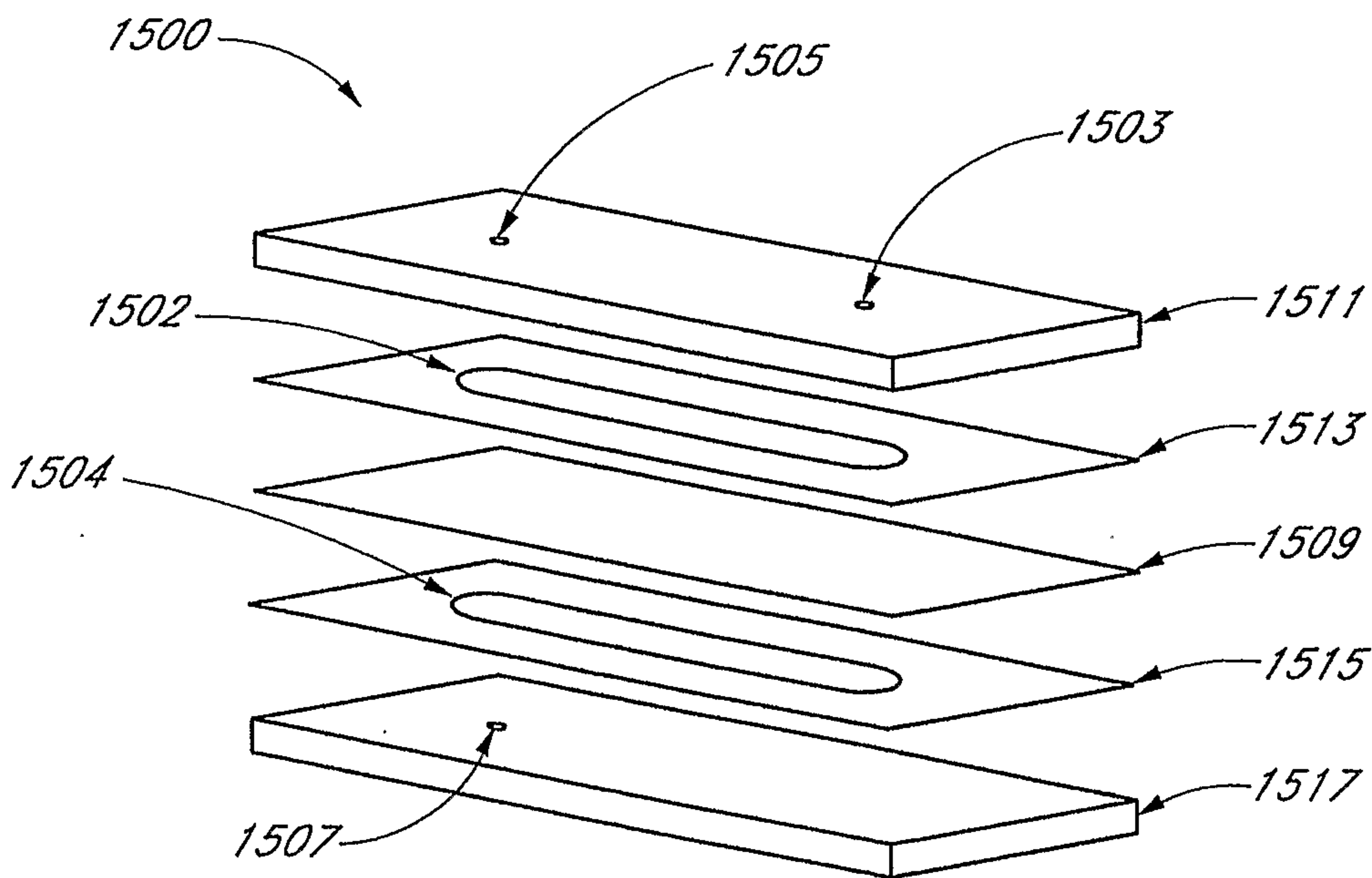


FIG. 16

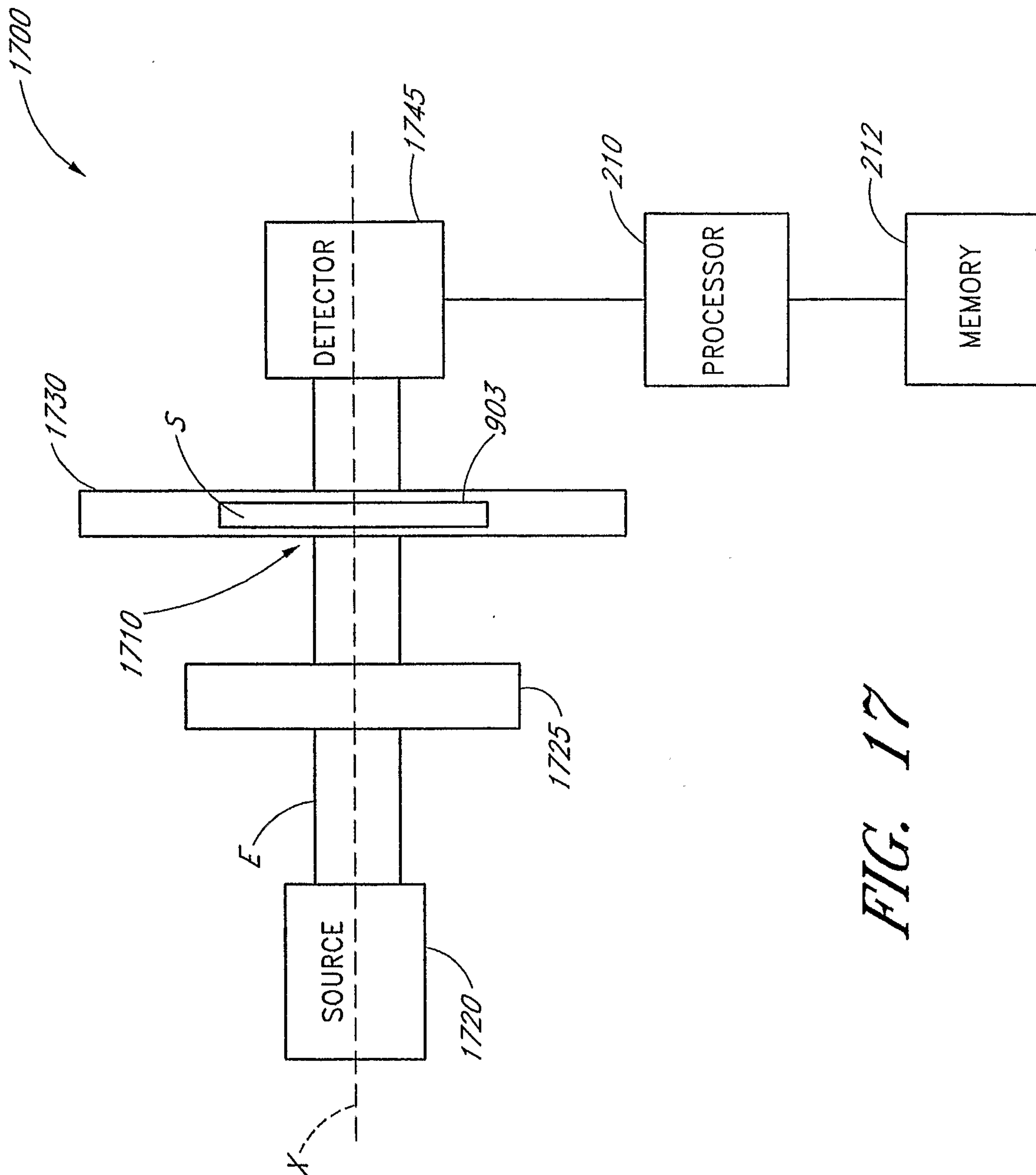


FIG. 17

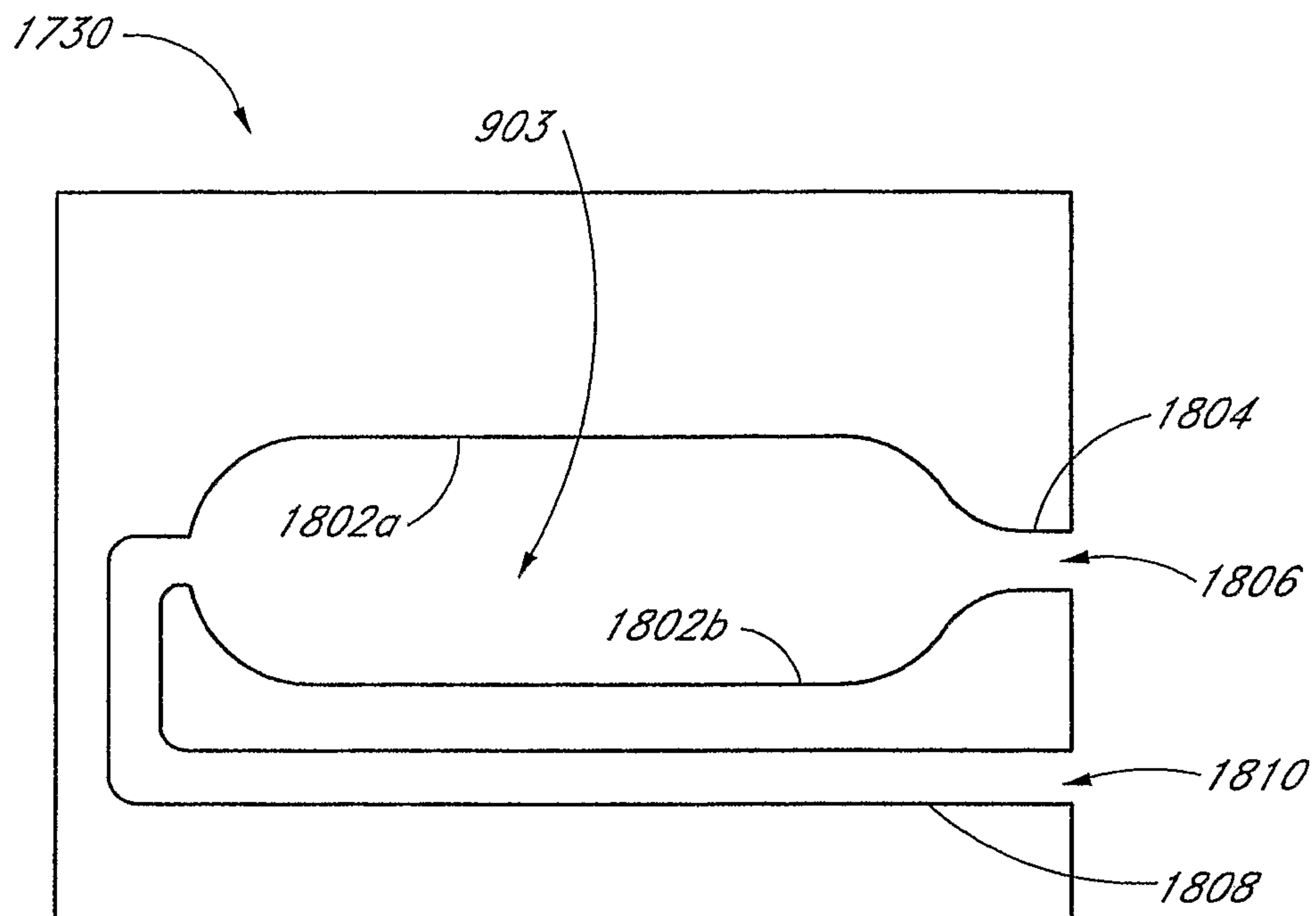


FIG. 18

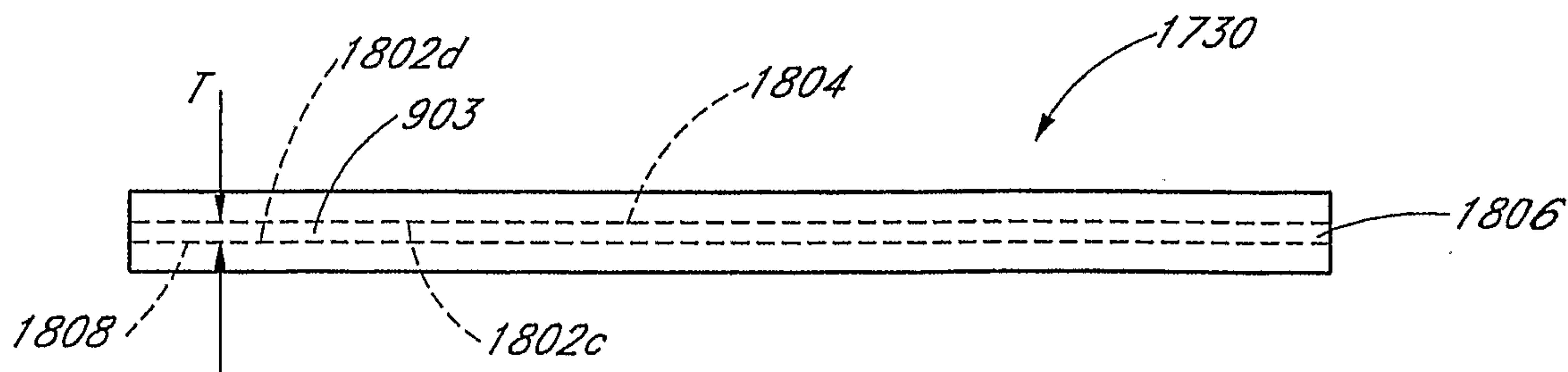


FIG. 19

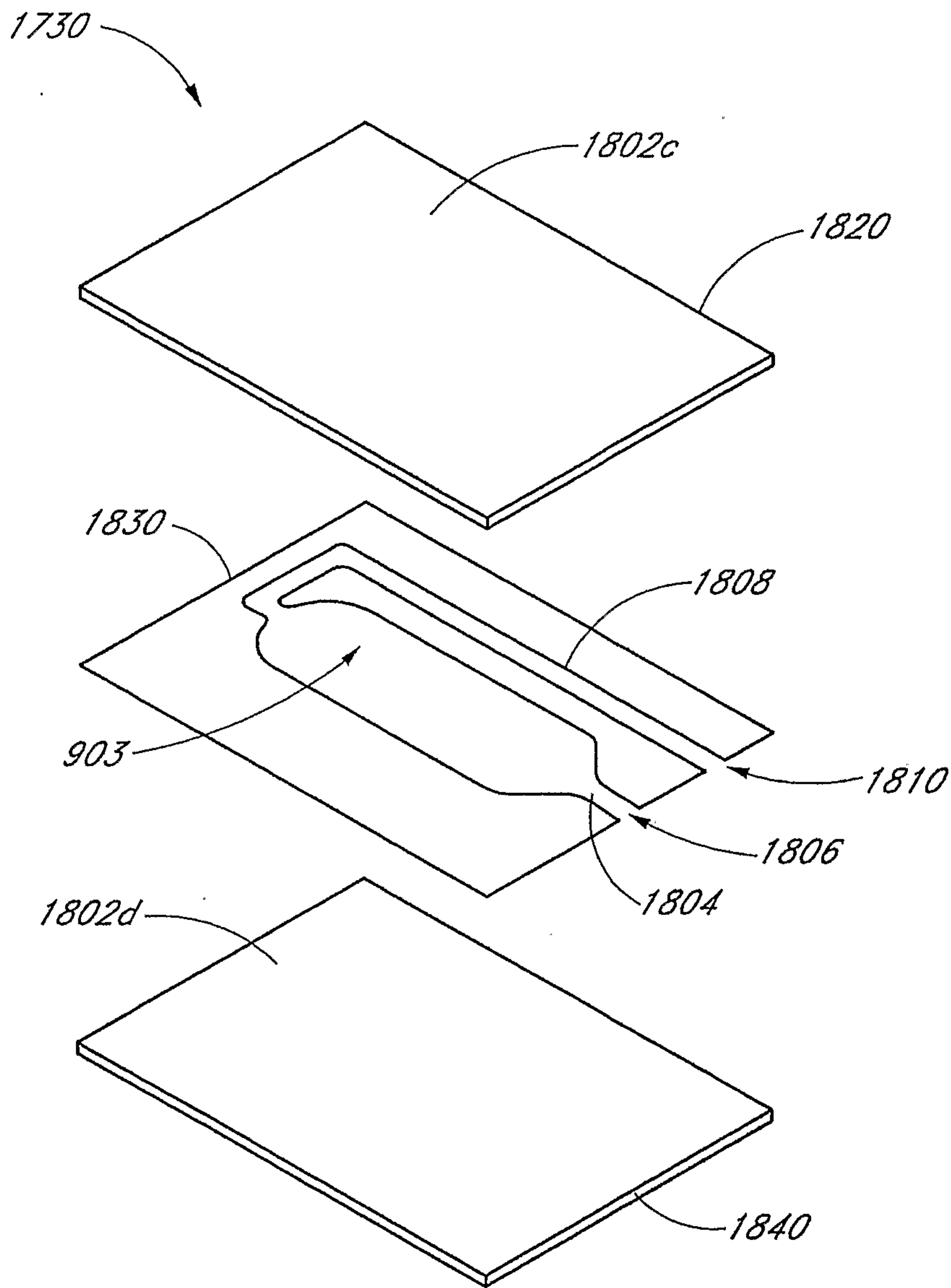


FIG. 20

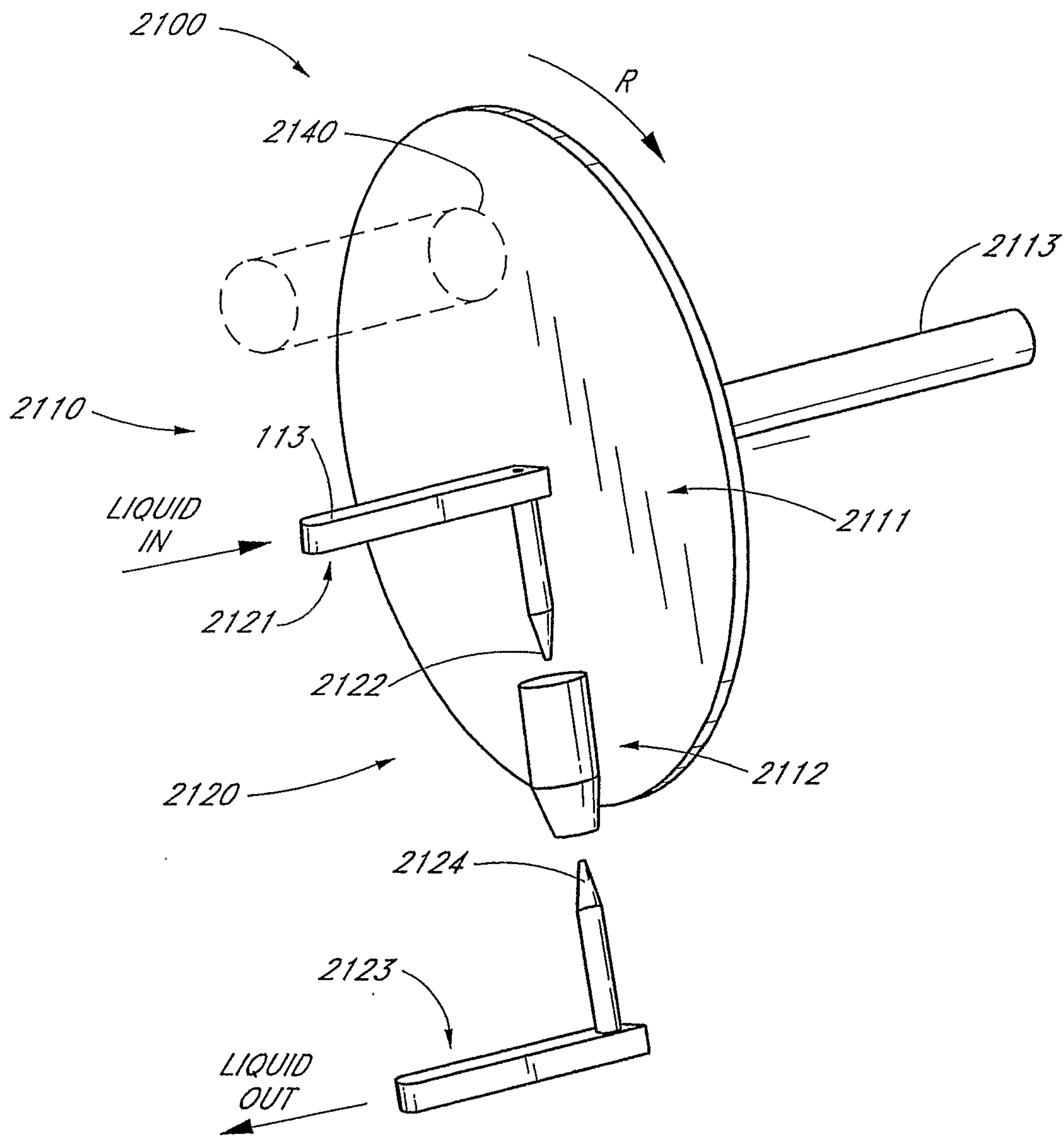


FIG. 21

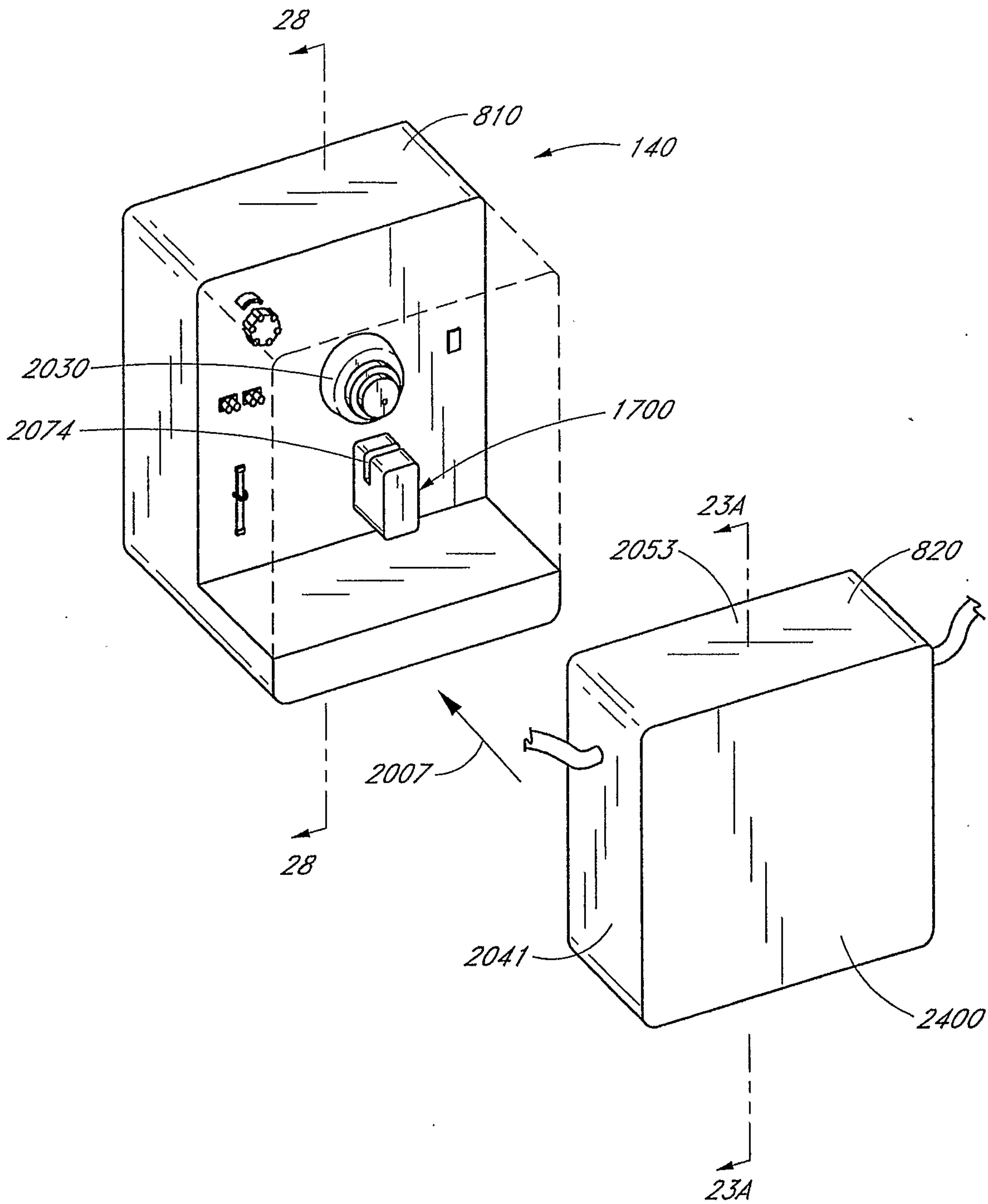


FIG. 22A

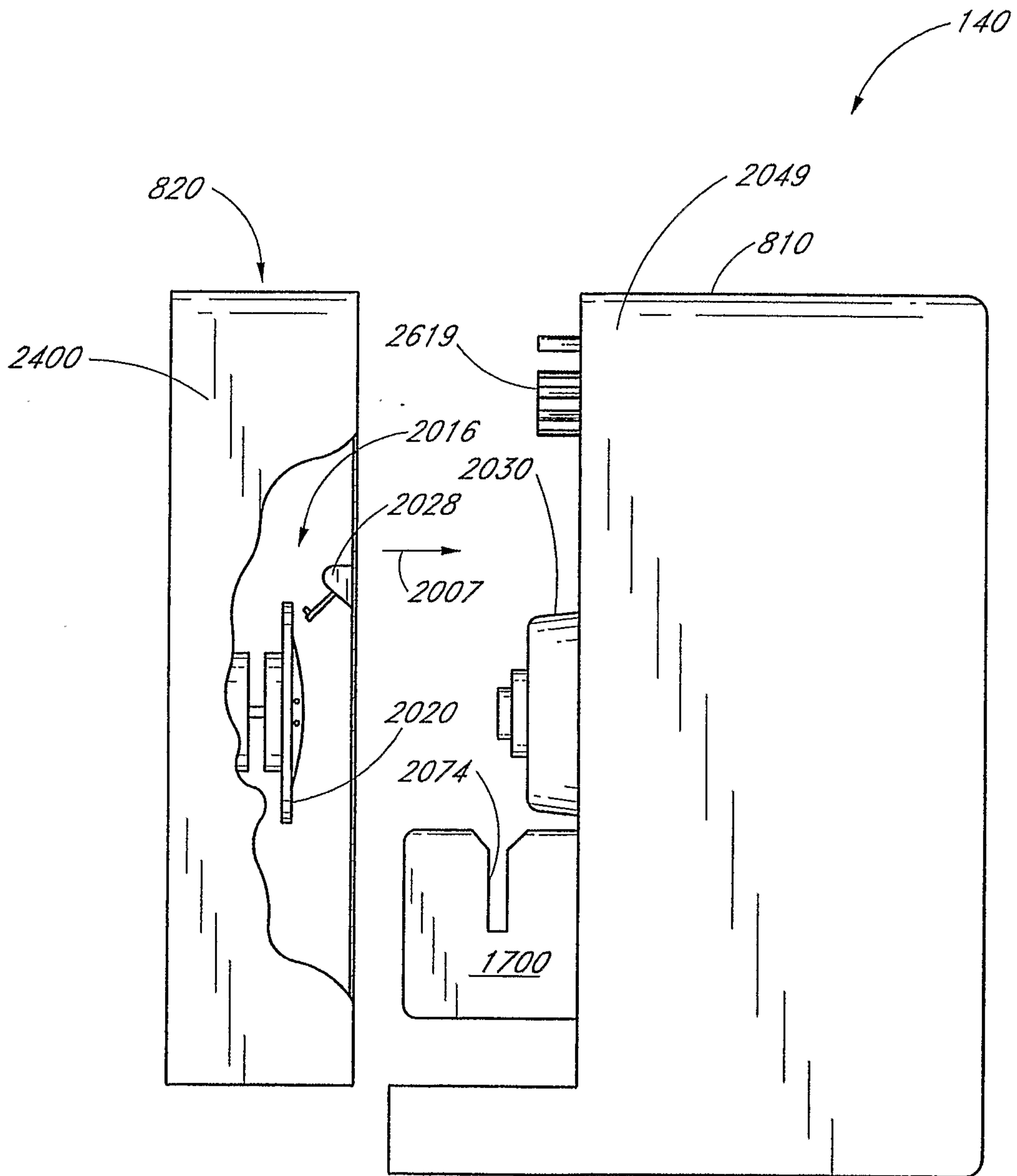


FIG. 22B

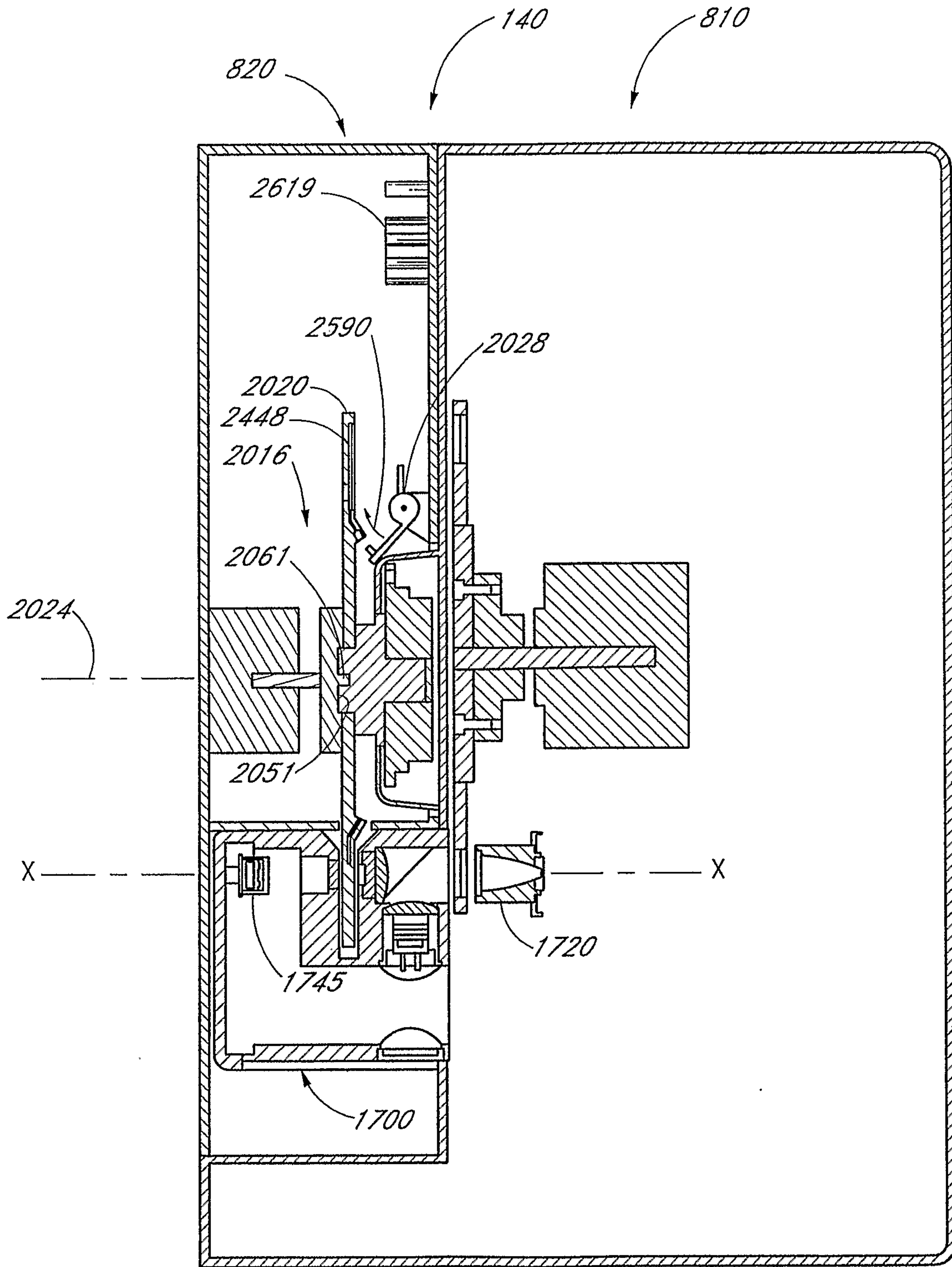


FIG. 22C

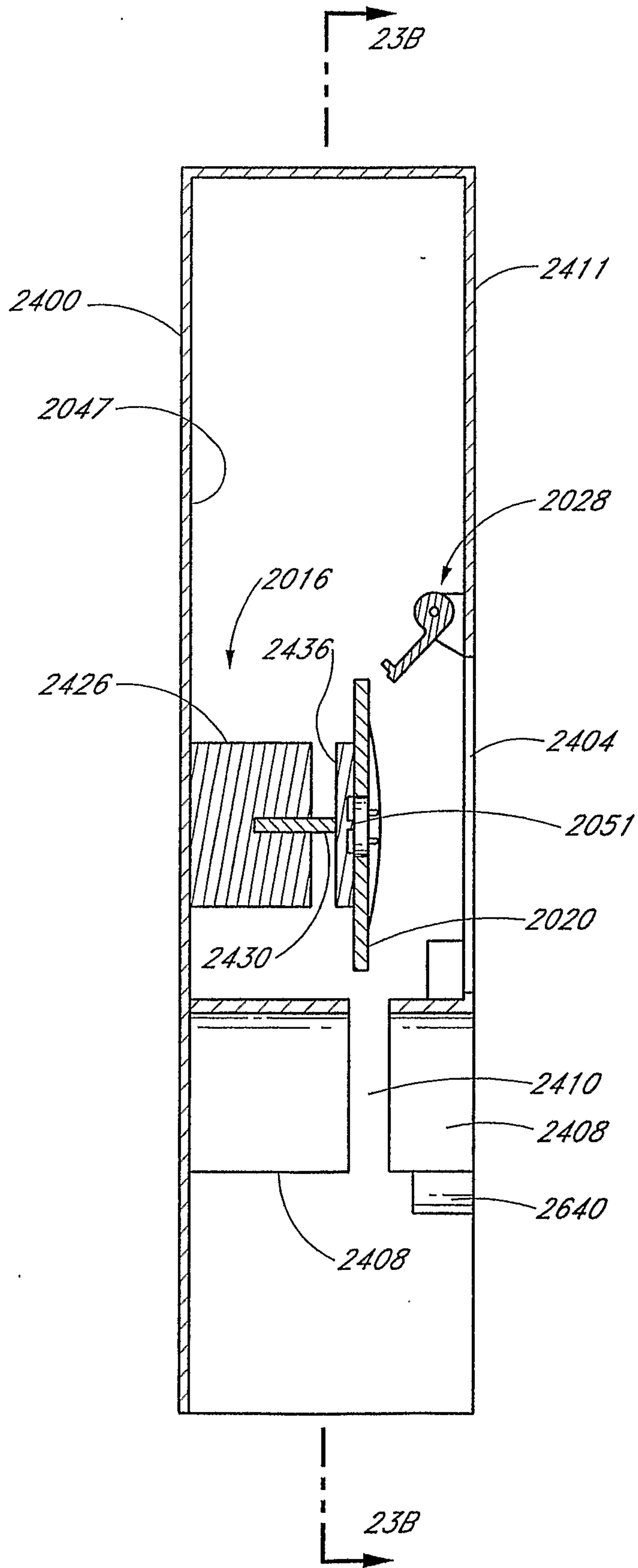


FIG. 23A

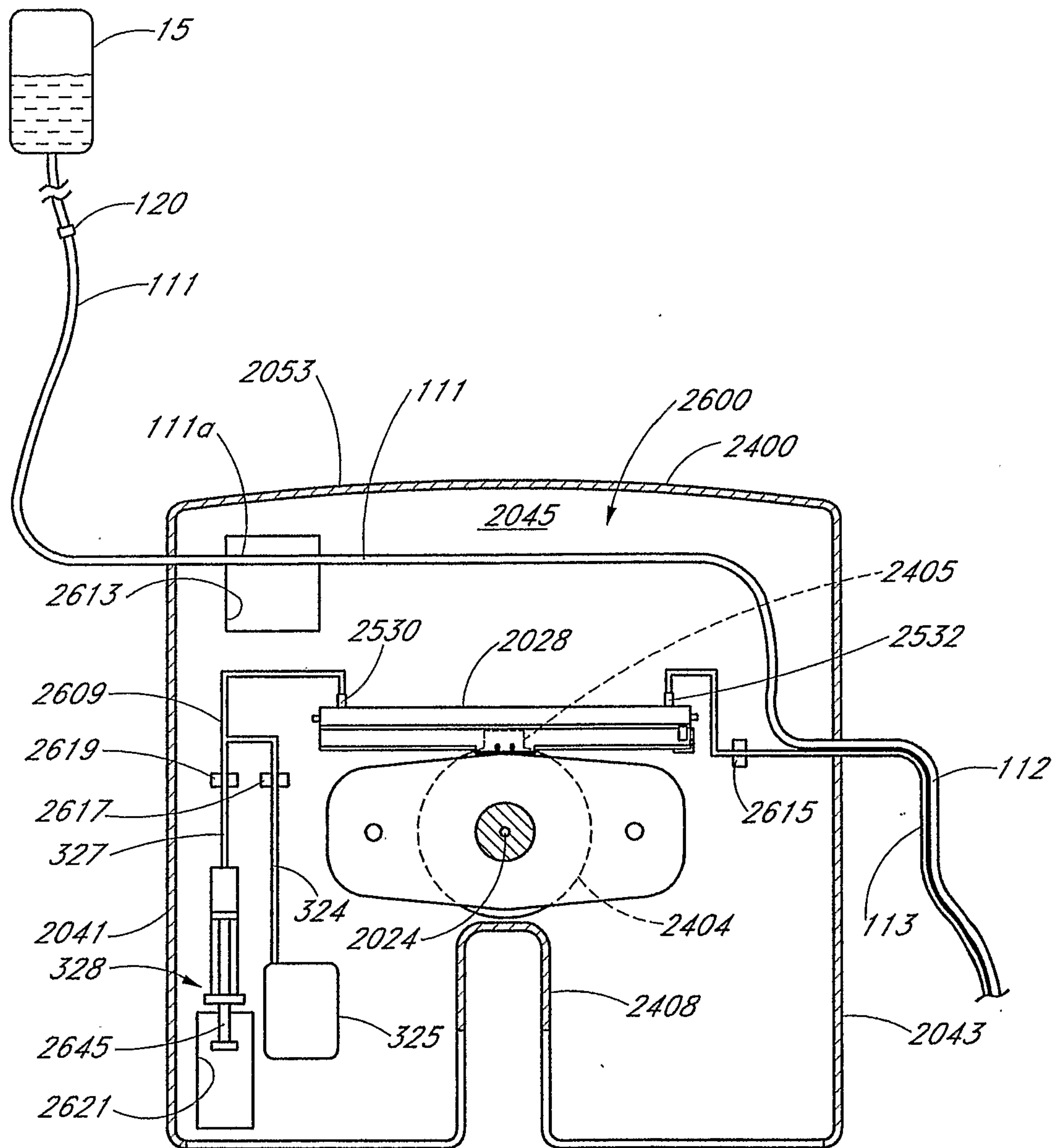


FIG. 23B

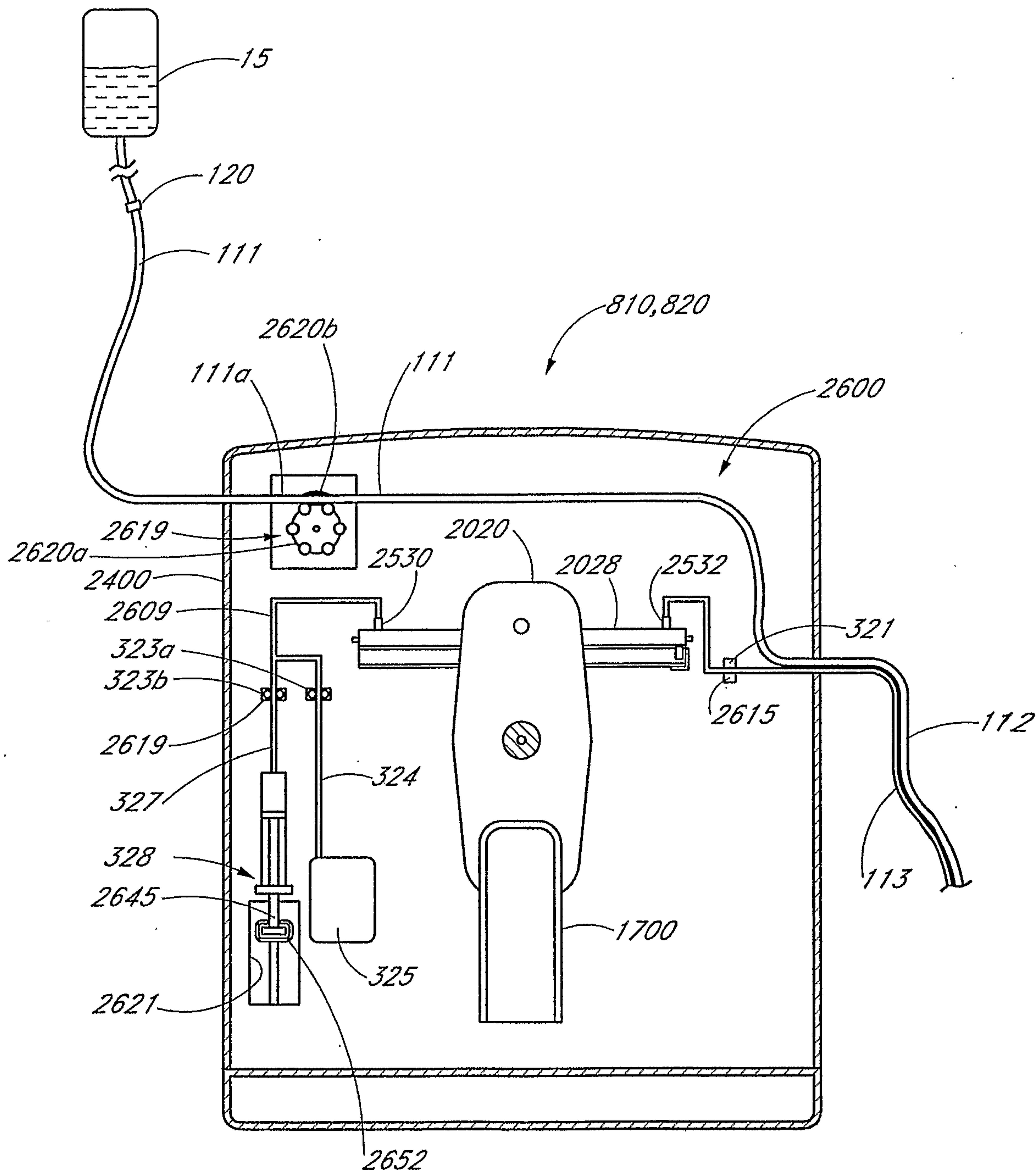


FIG. 23C

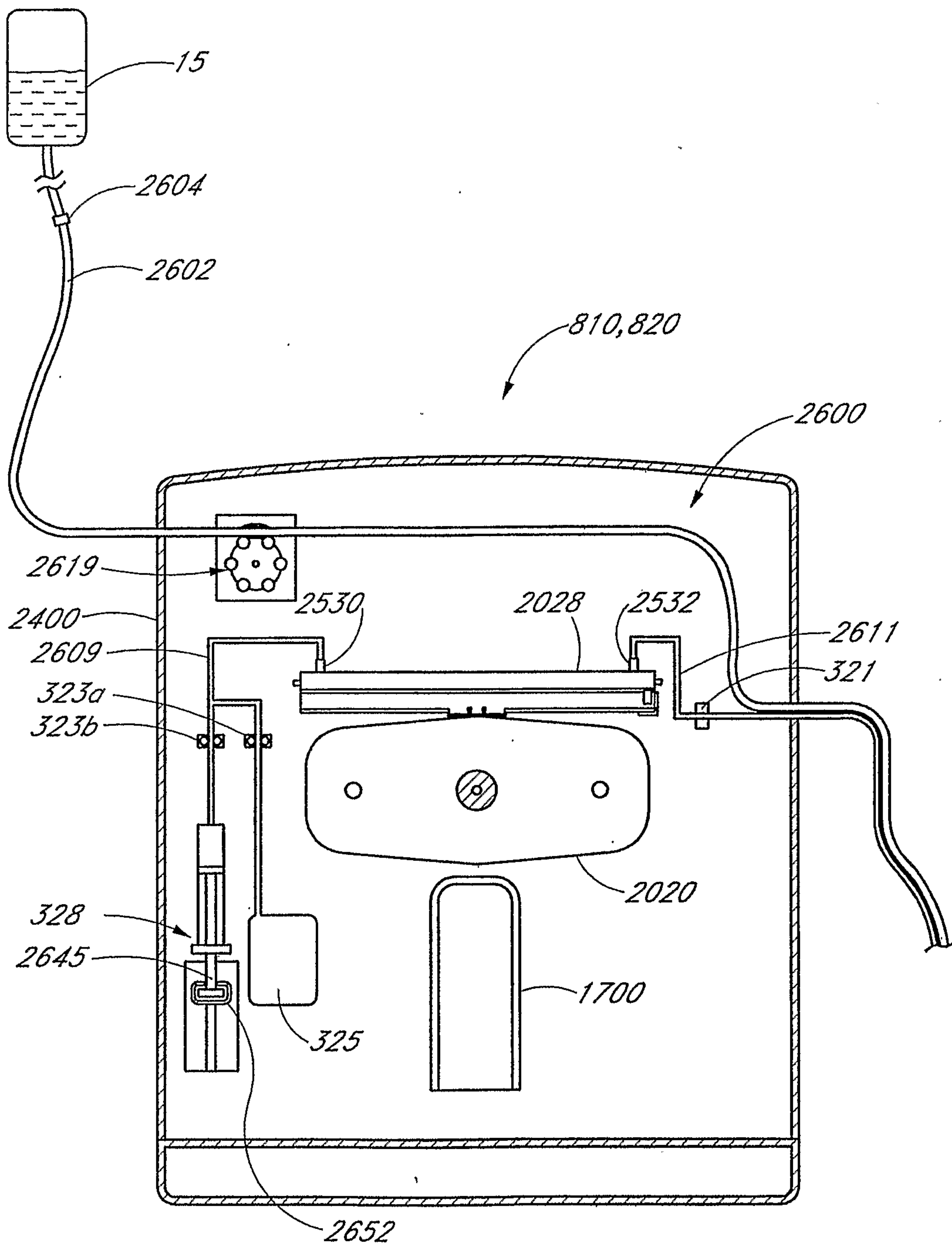


FIG. 23D

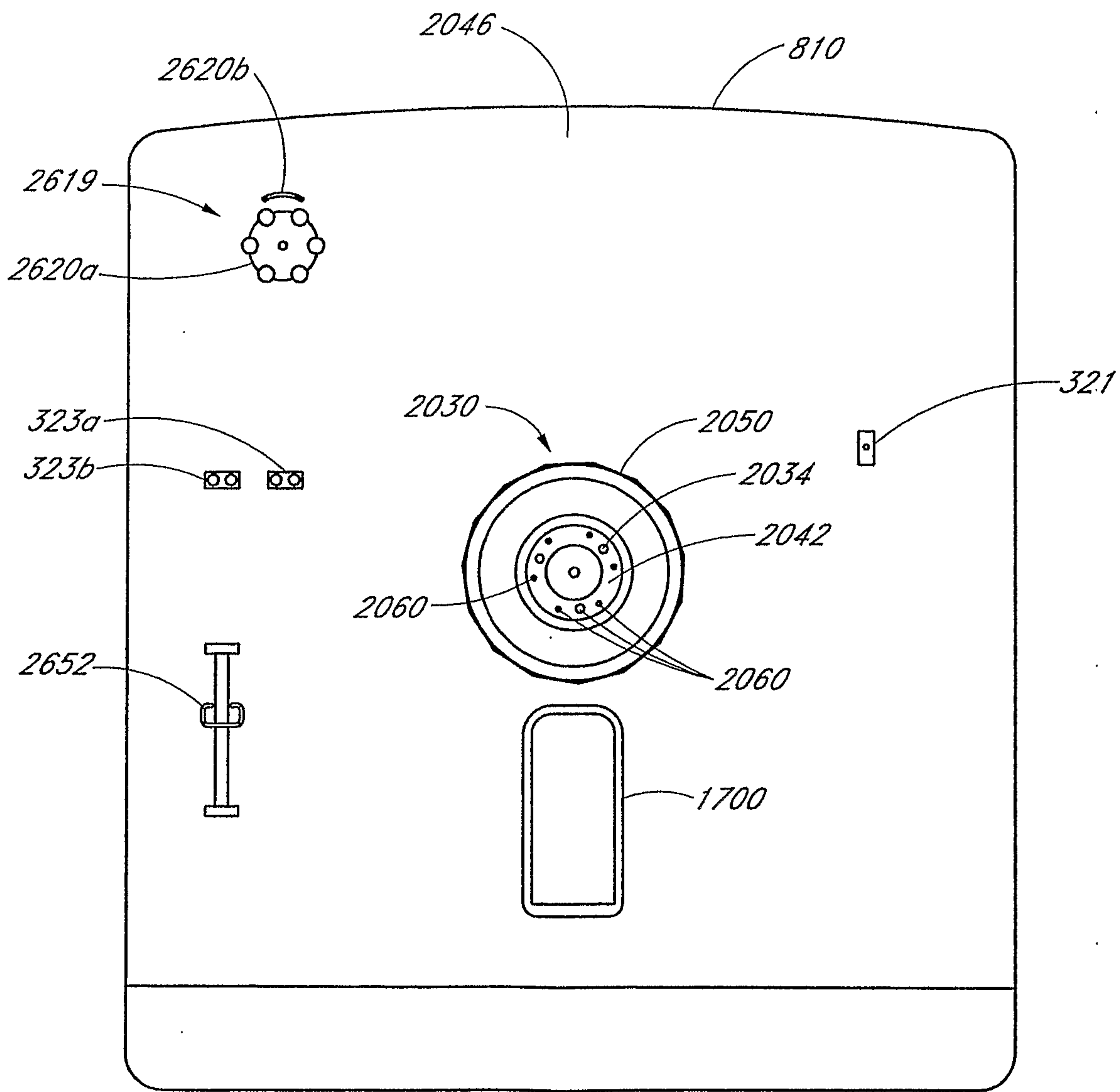


FIG. 23E

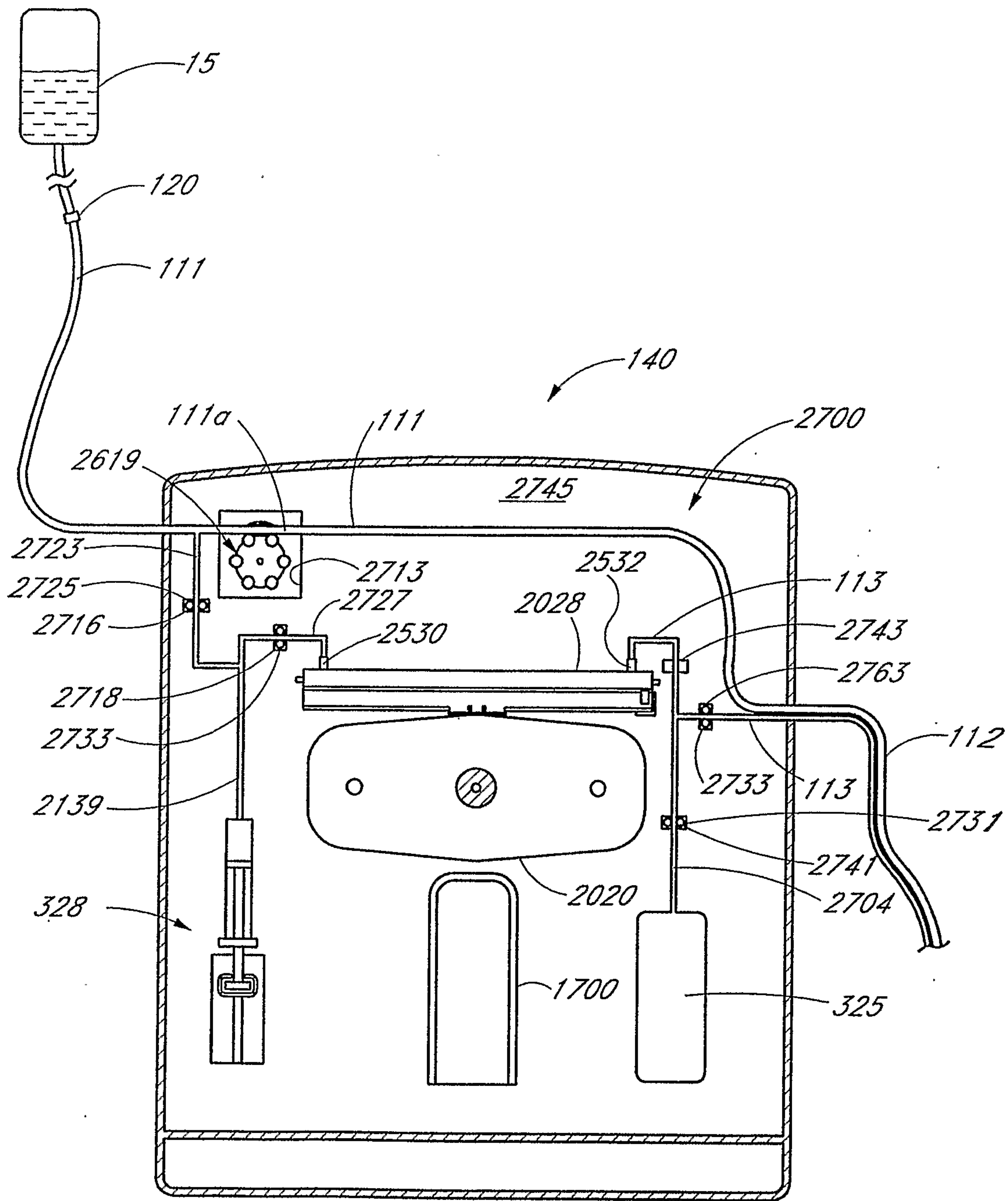


FIG. 24A

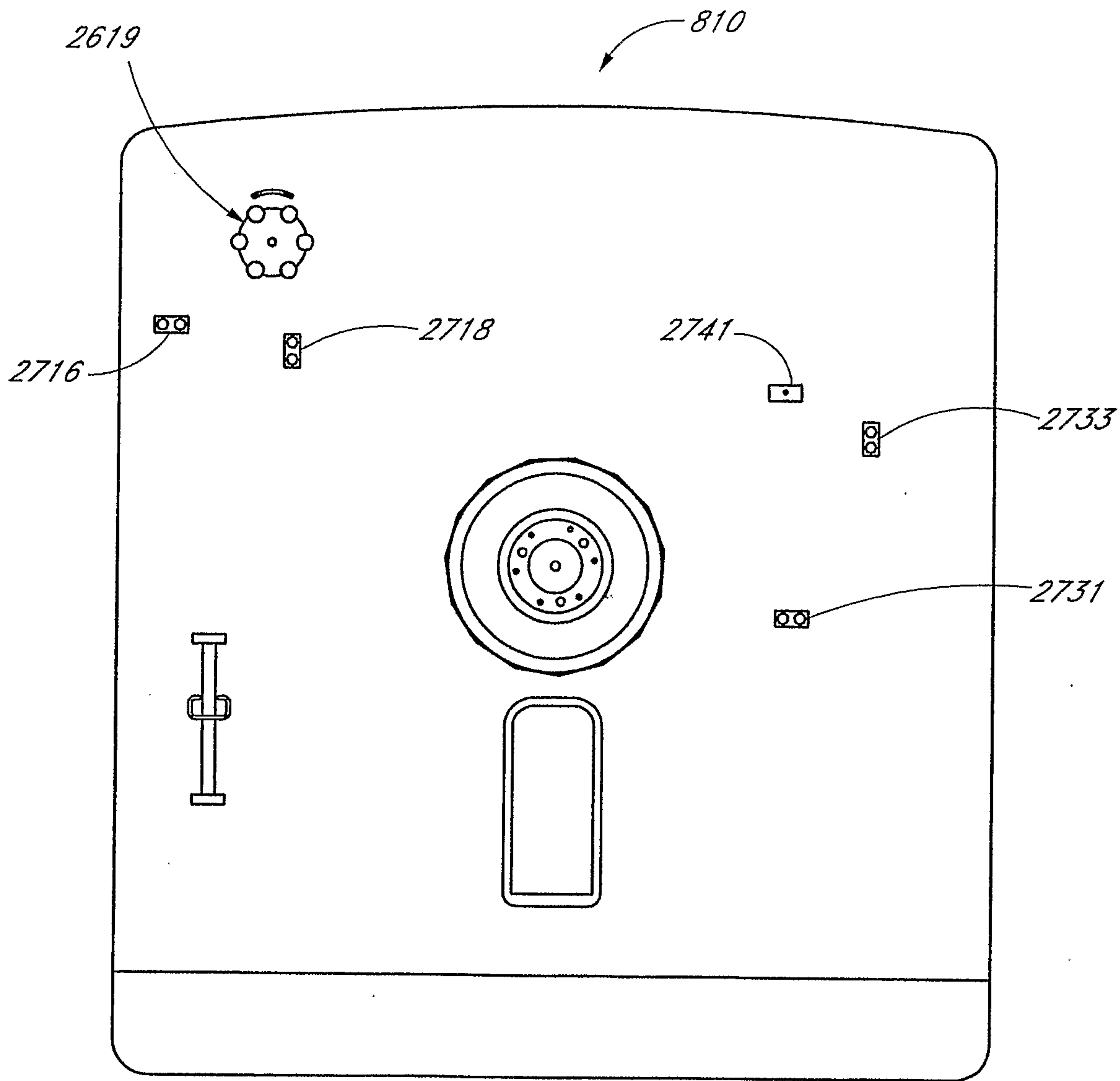


FIG. 24B

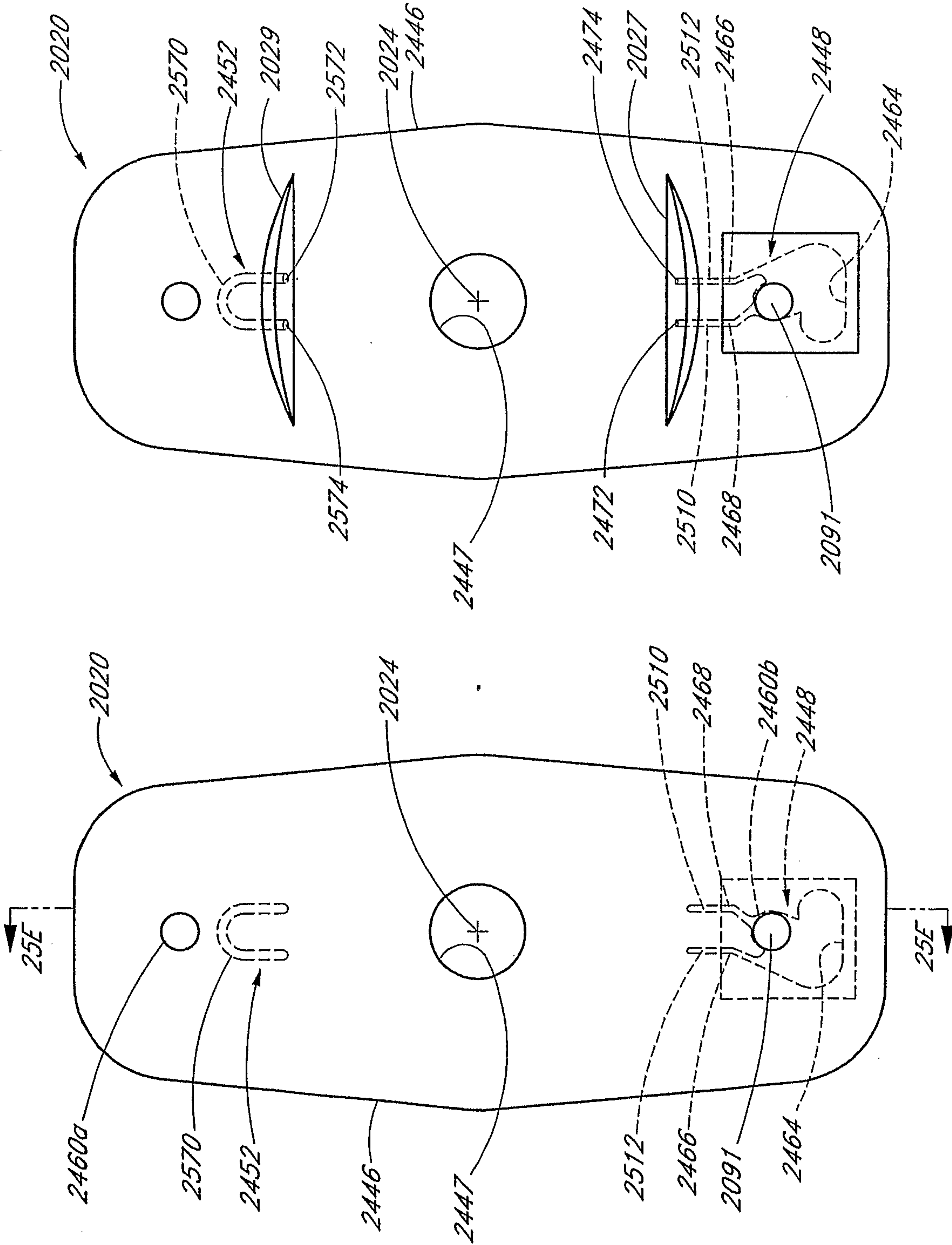


FIG. 25B

FIG. 25A

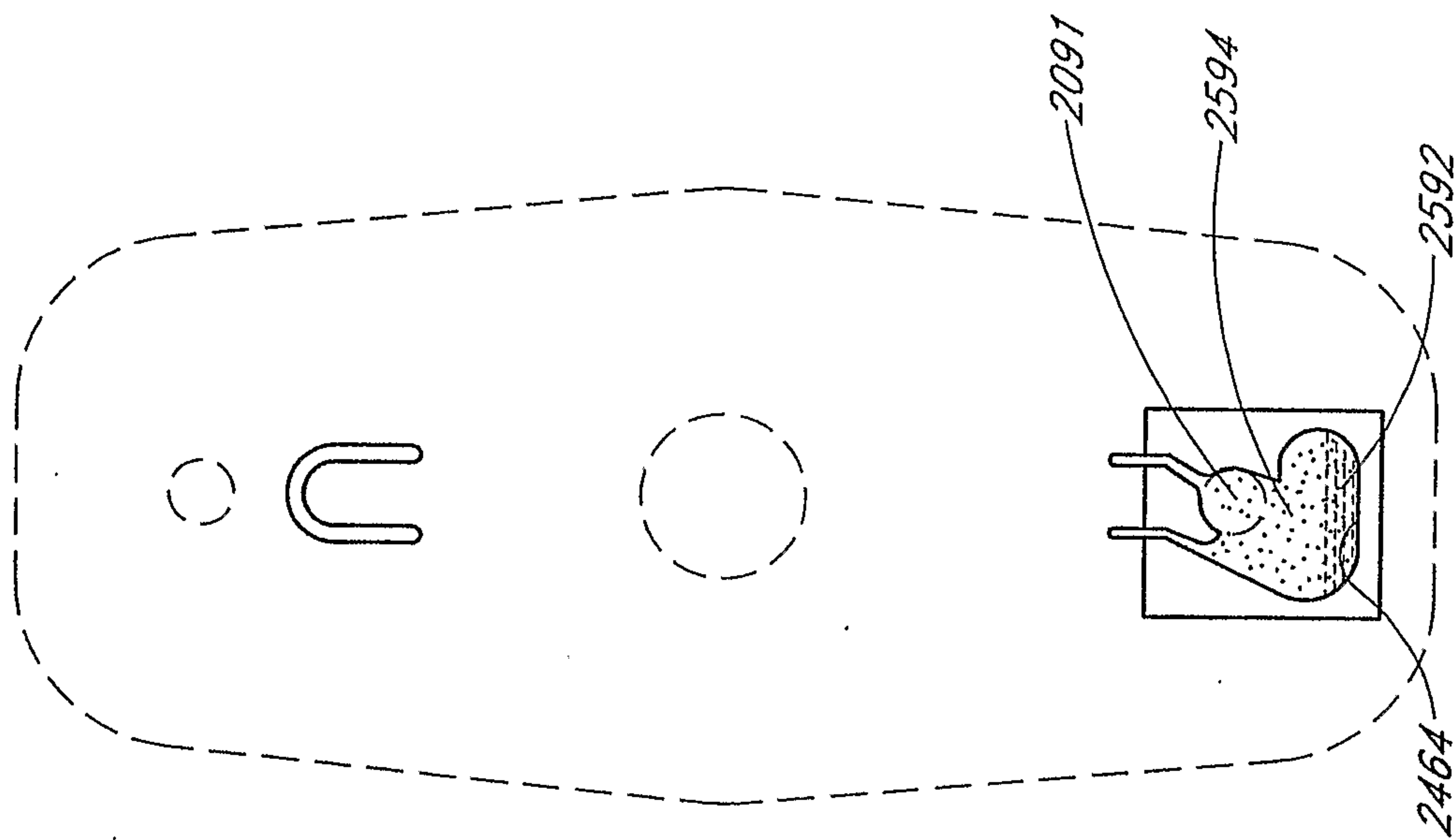


FIG. 25D

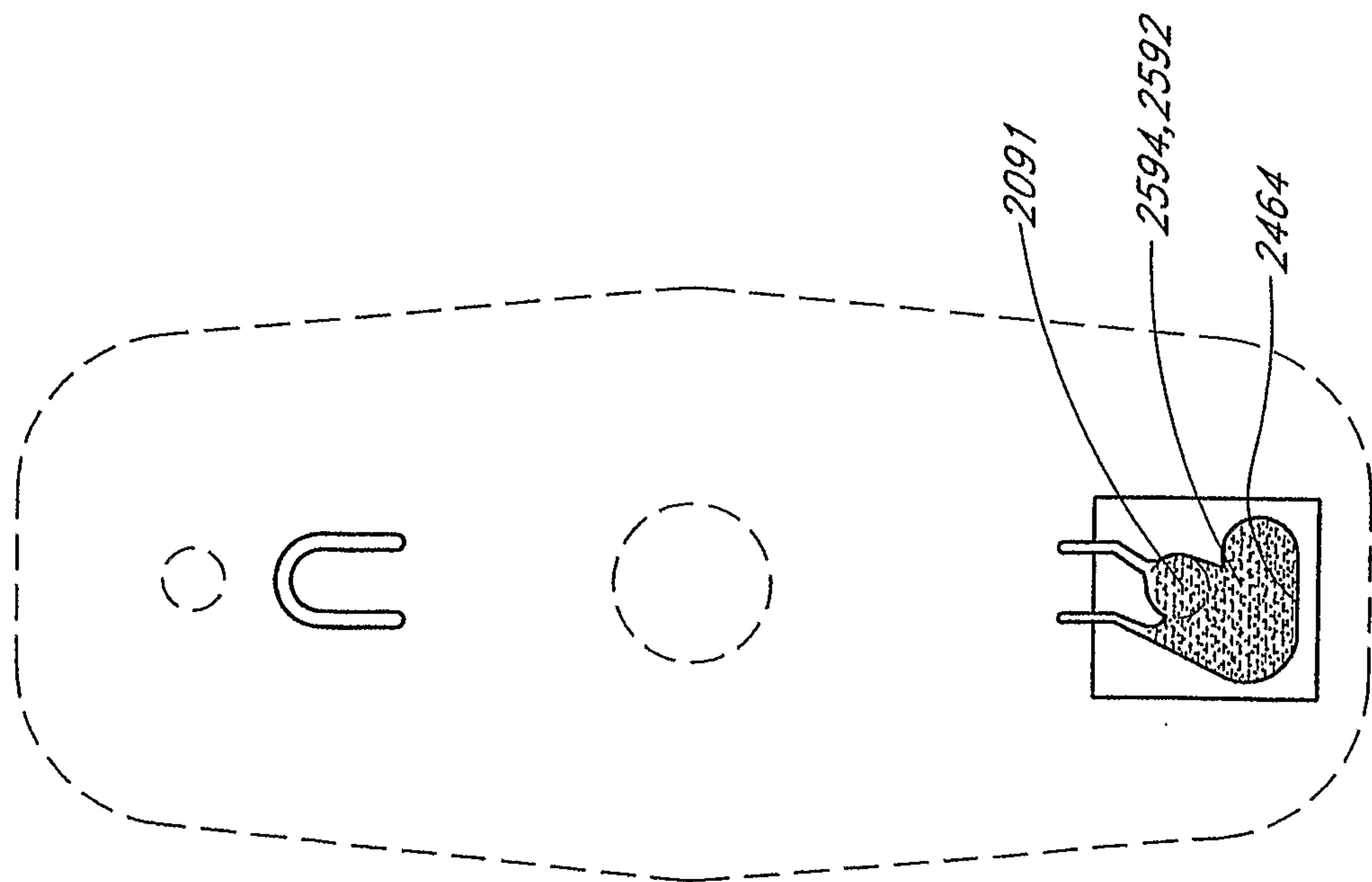


FIG. 25C

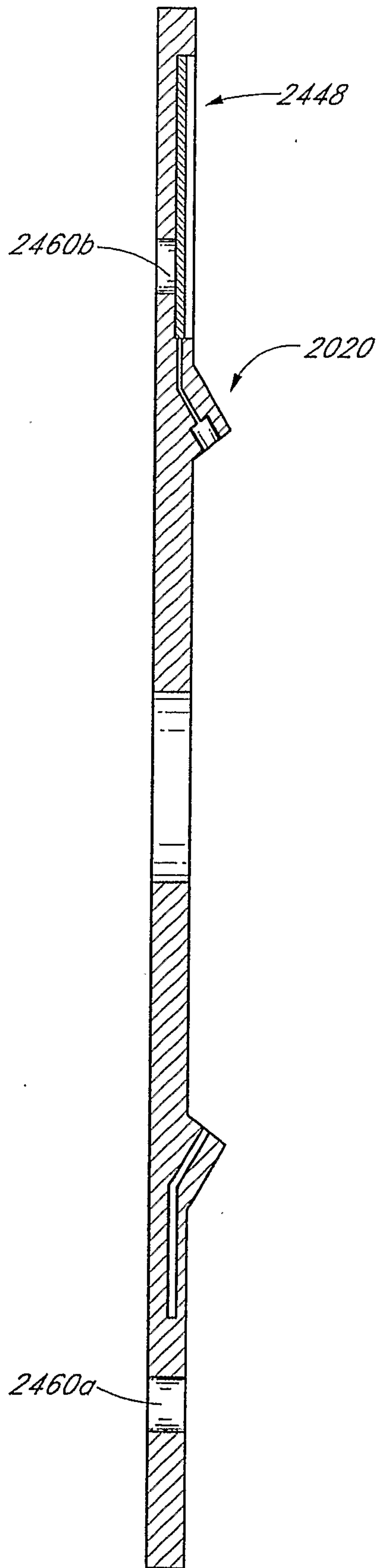


FIG. 25E

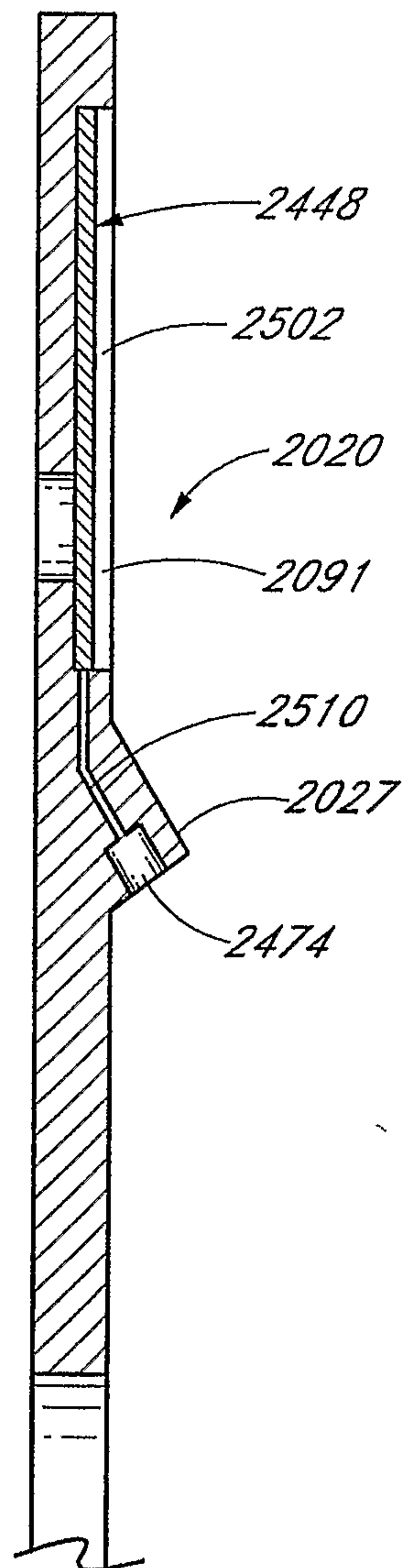


FIG. 25F

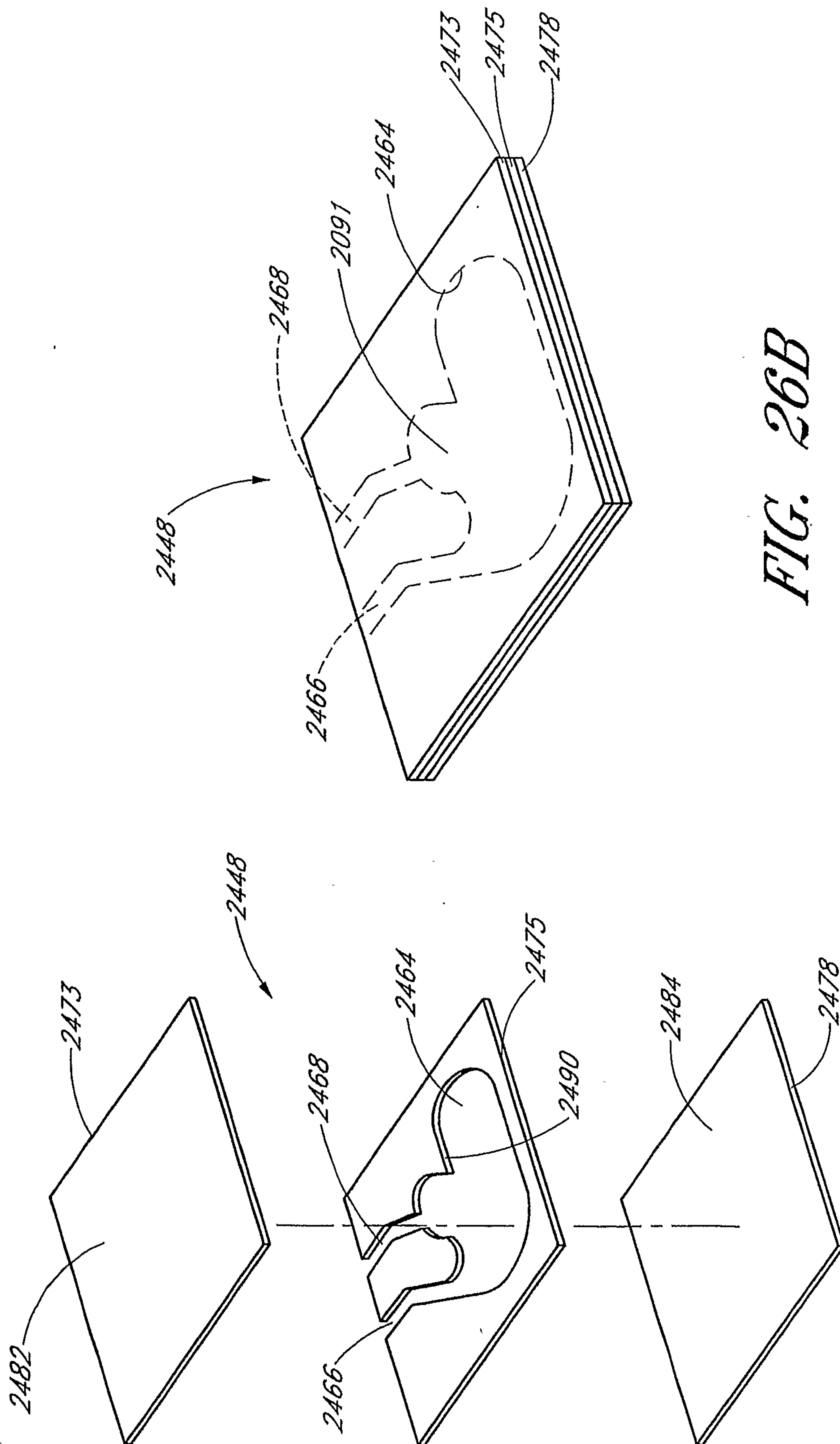


FIG. 26A

FIG. 26B

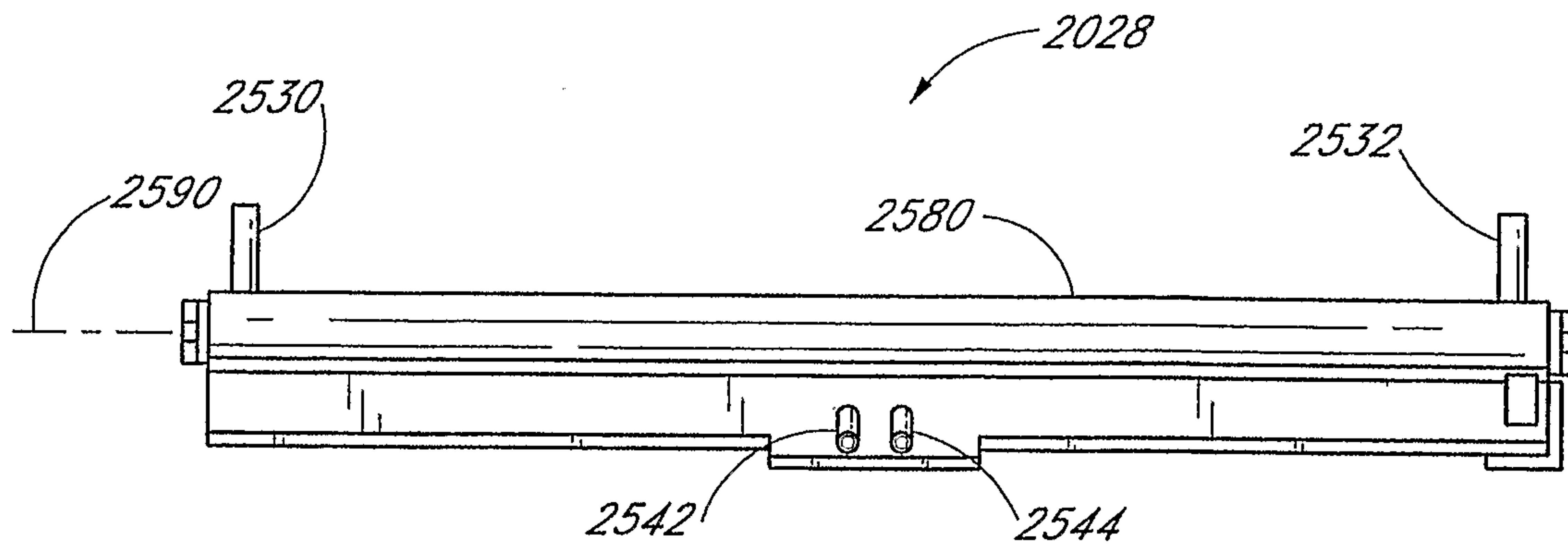


FIG. 27A

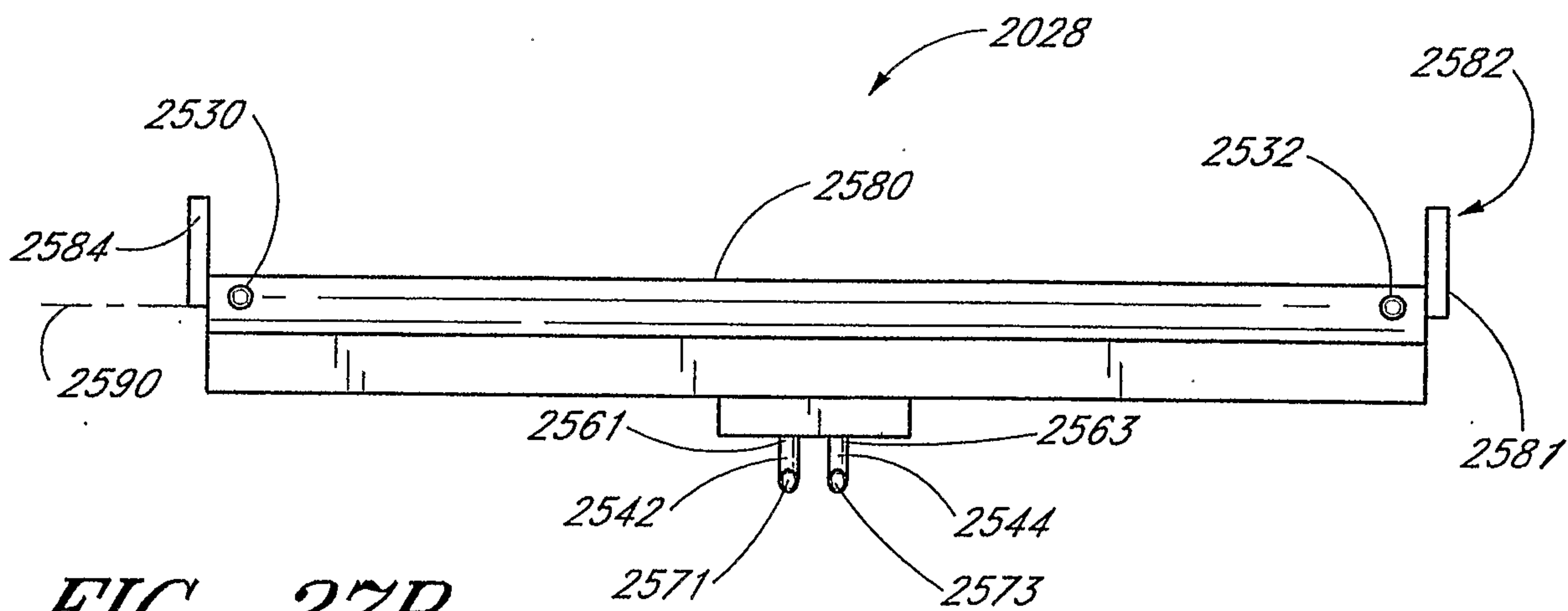


FIG. 27B

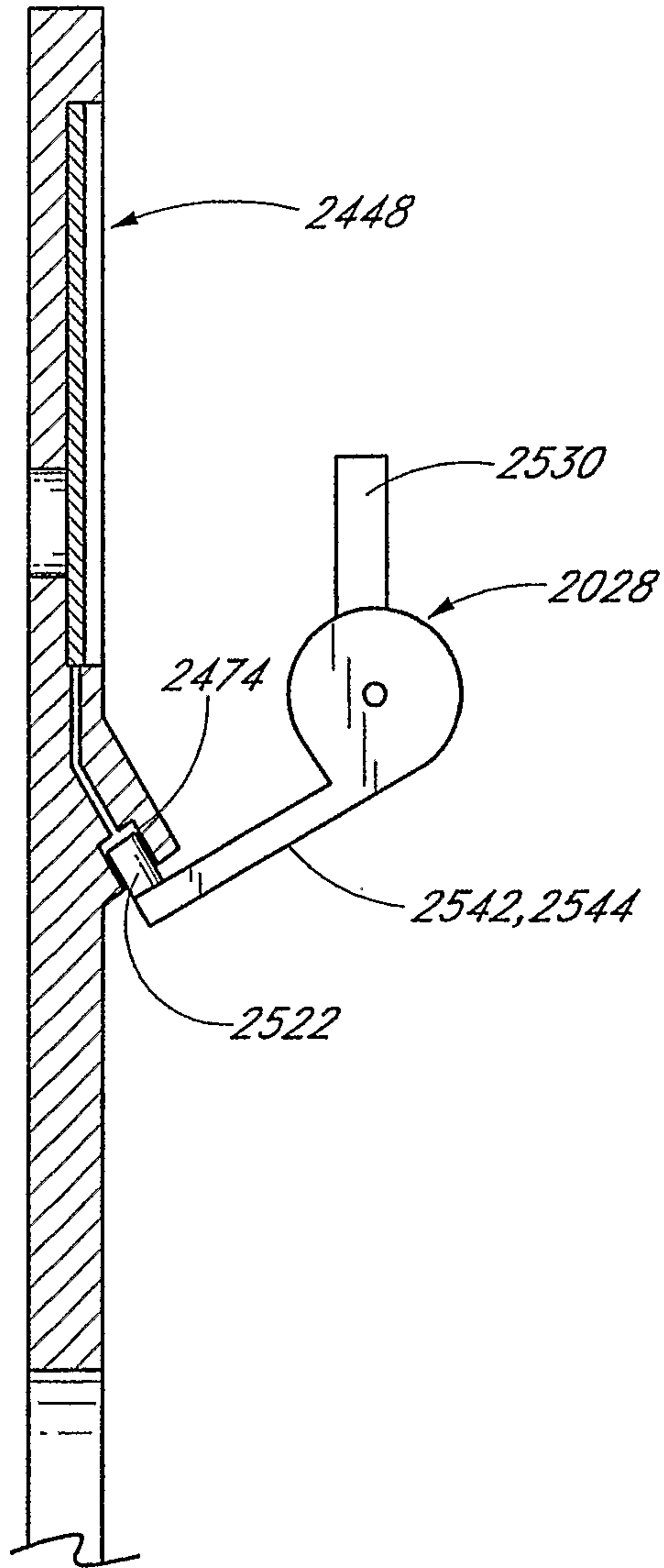


FIG. 27C

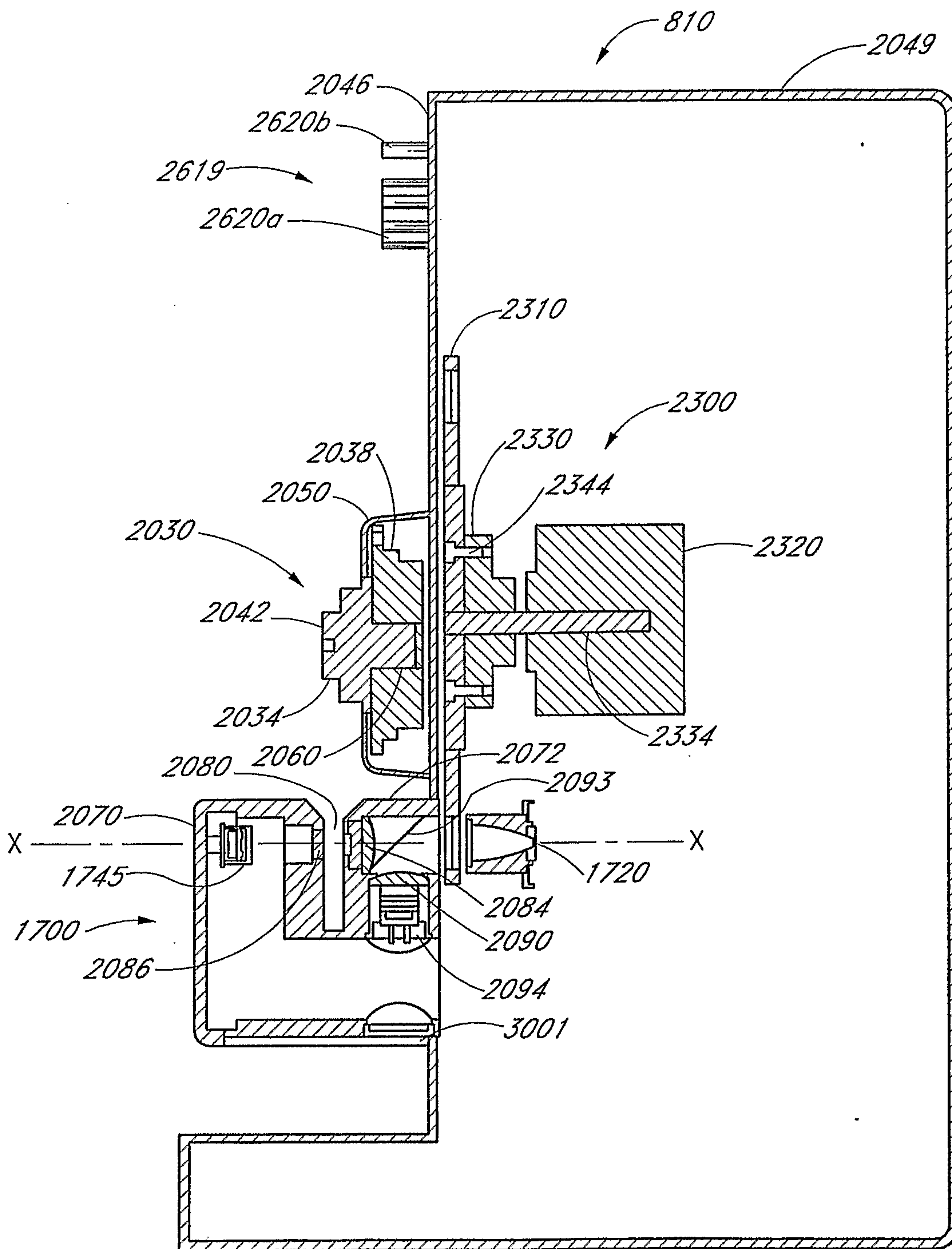


FIG. 28

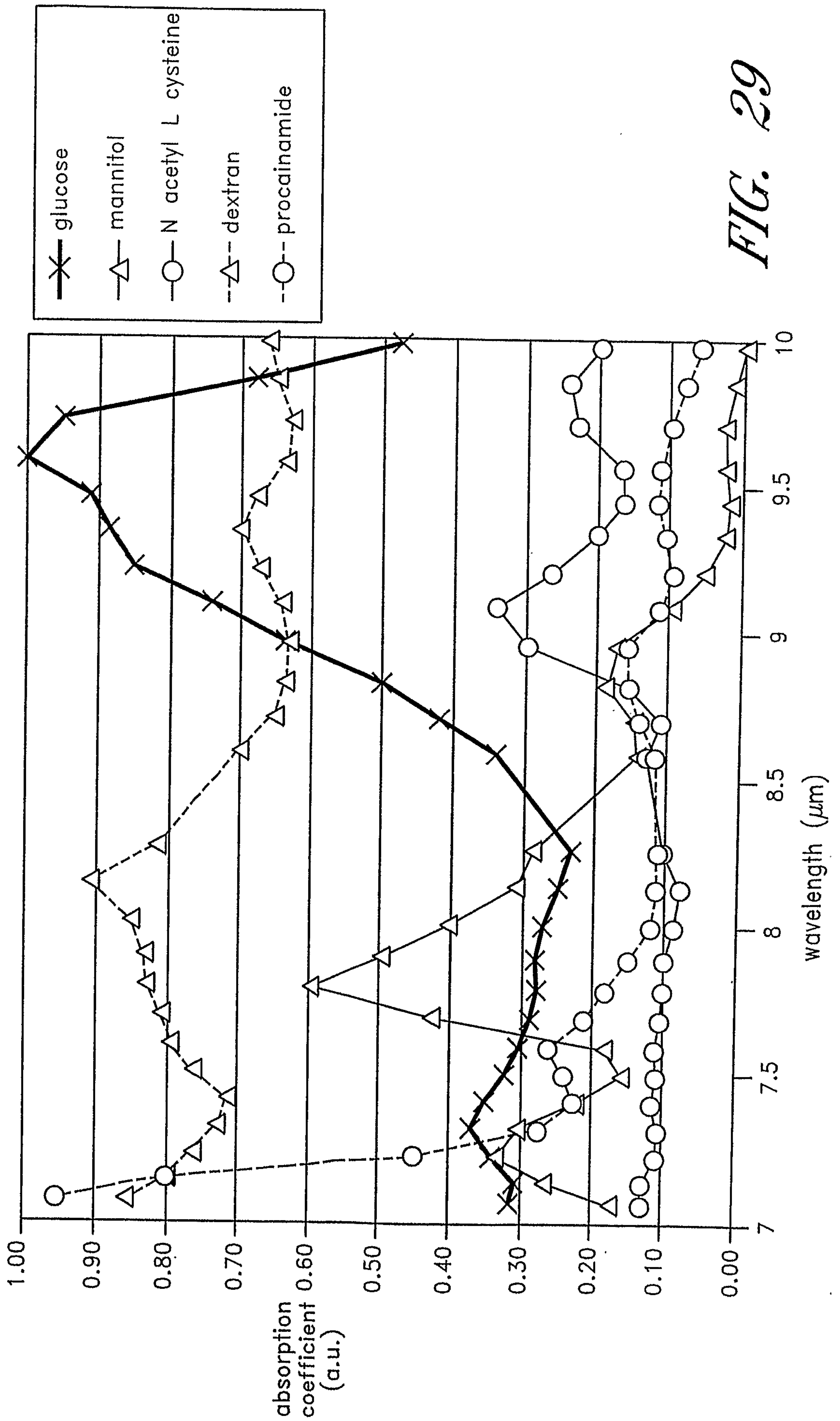


FIG. 29

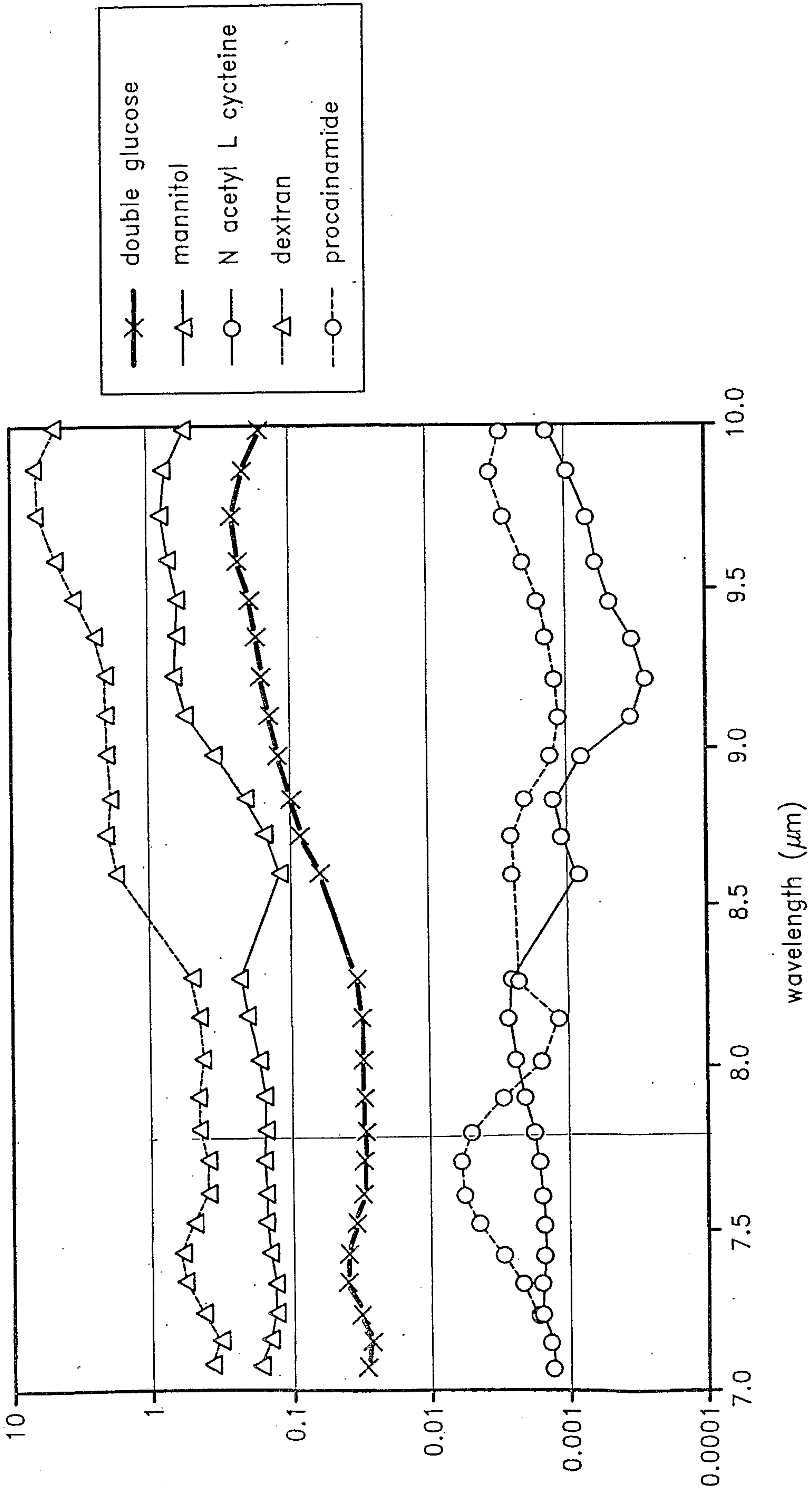
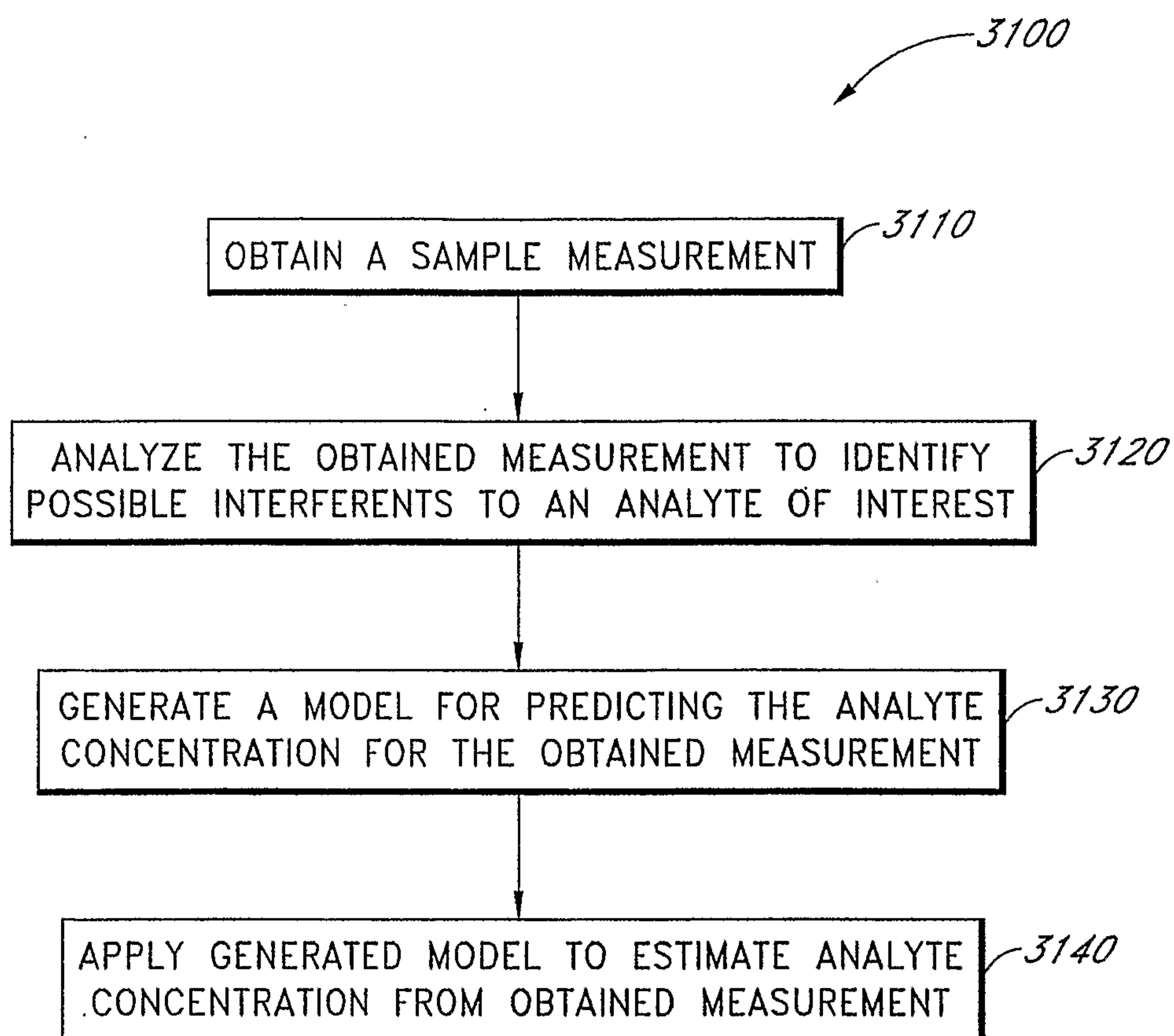


FIG. 30

*FIG. 31*

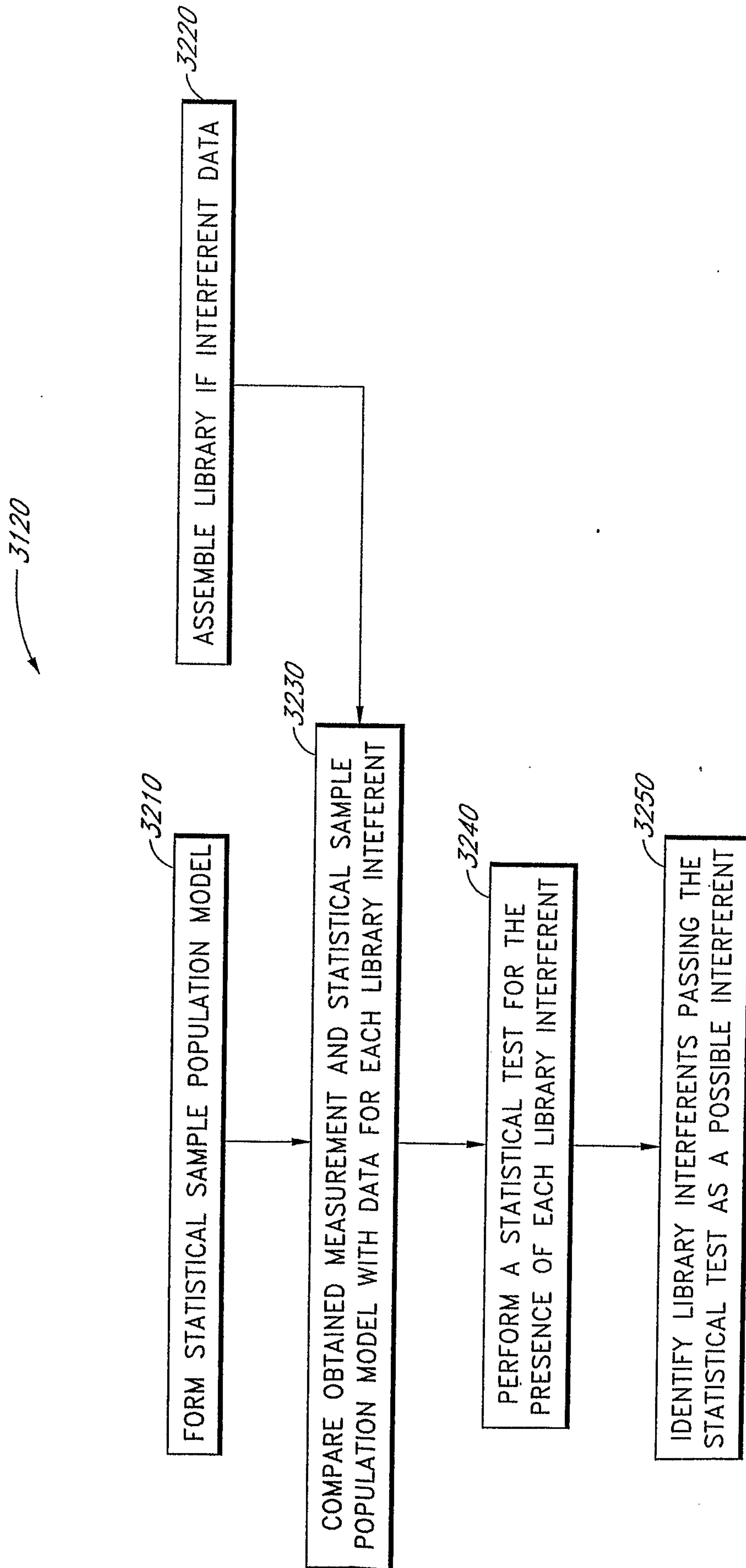
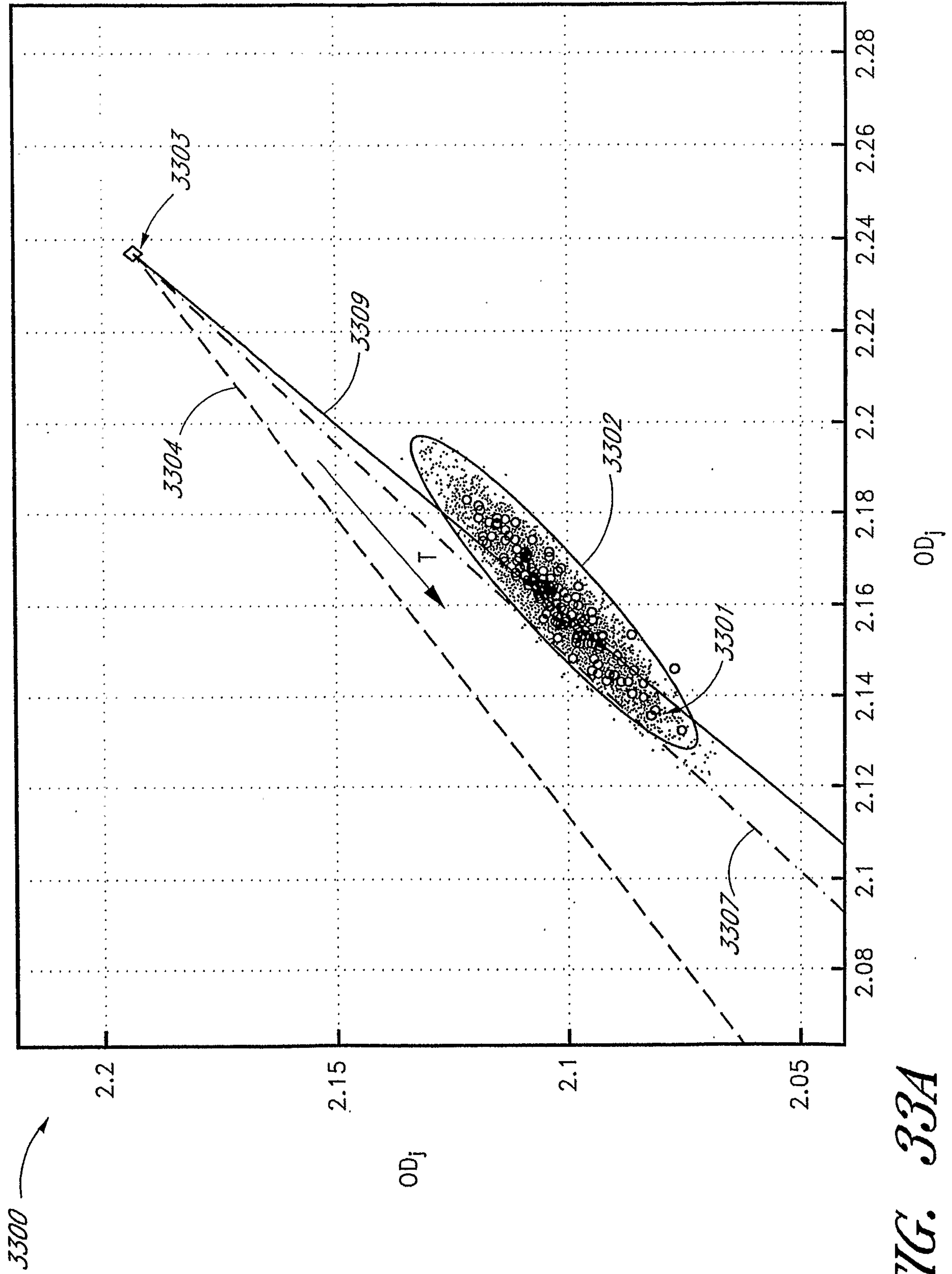


FIG. 32



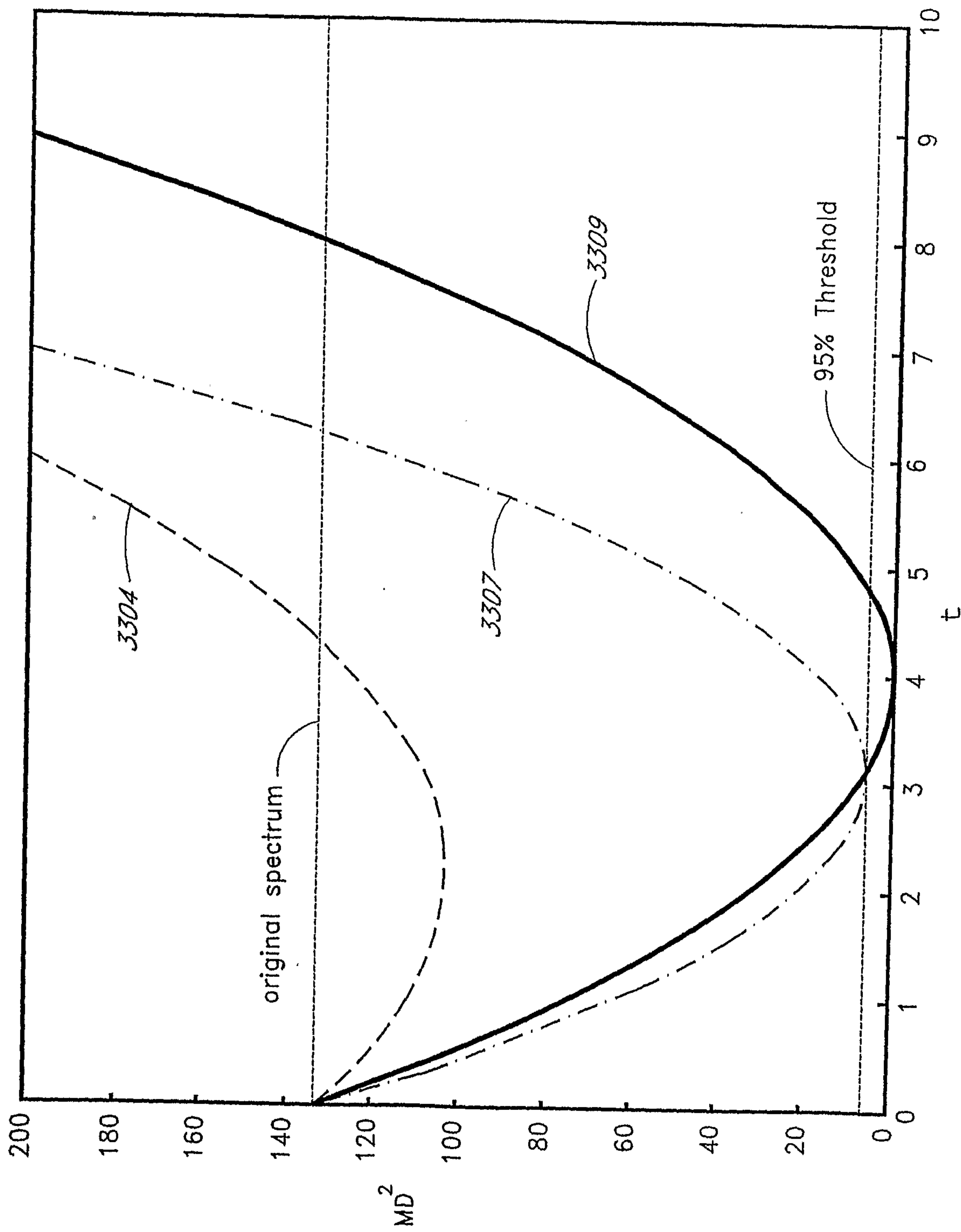


FIG. 33B

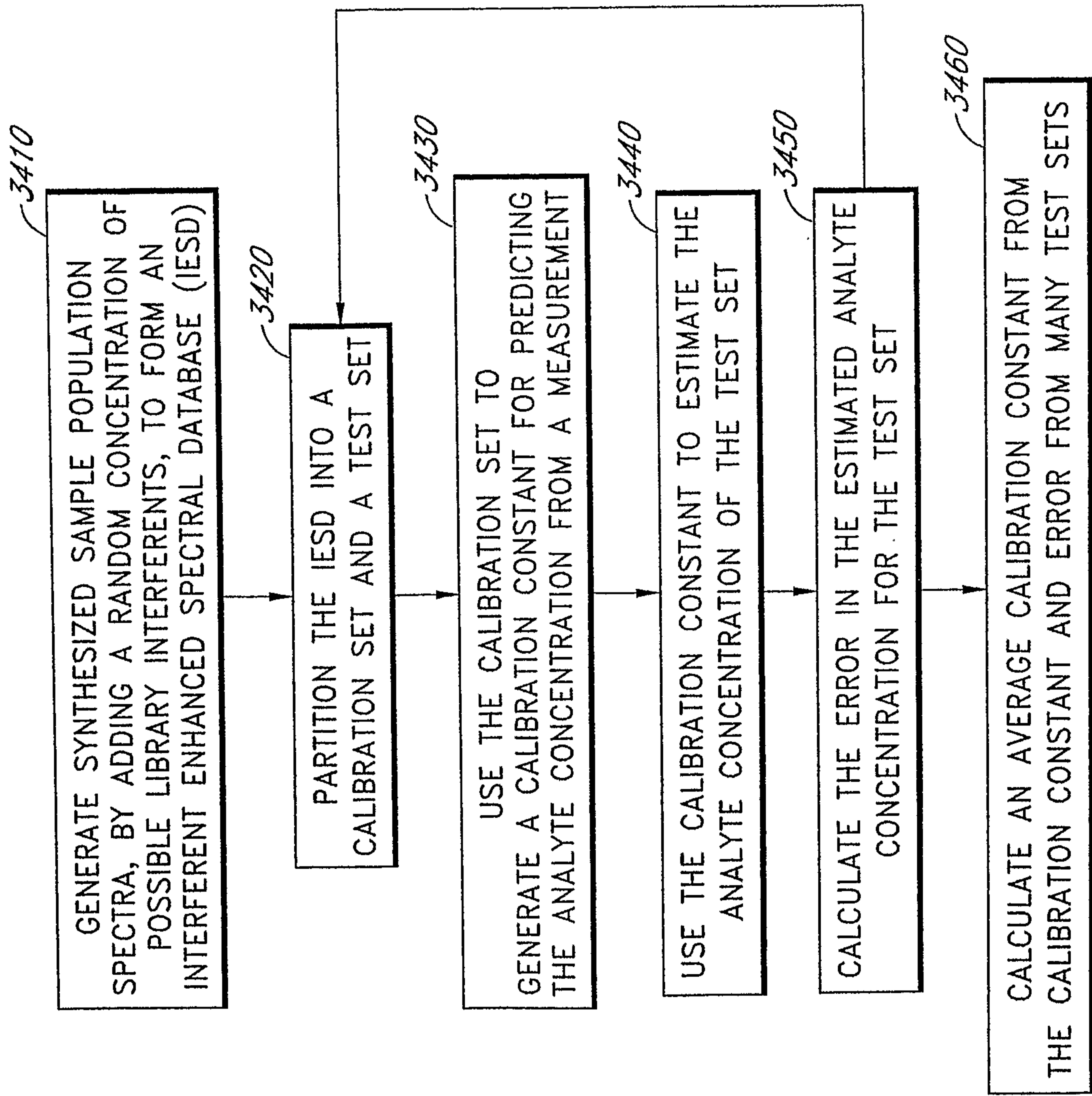


FIG. 34

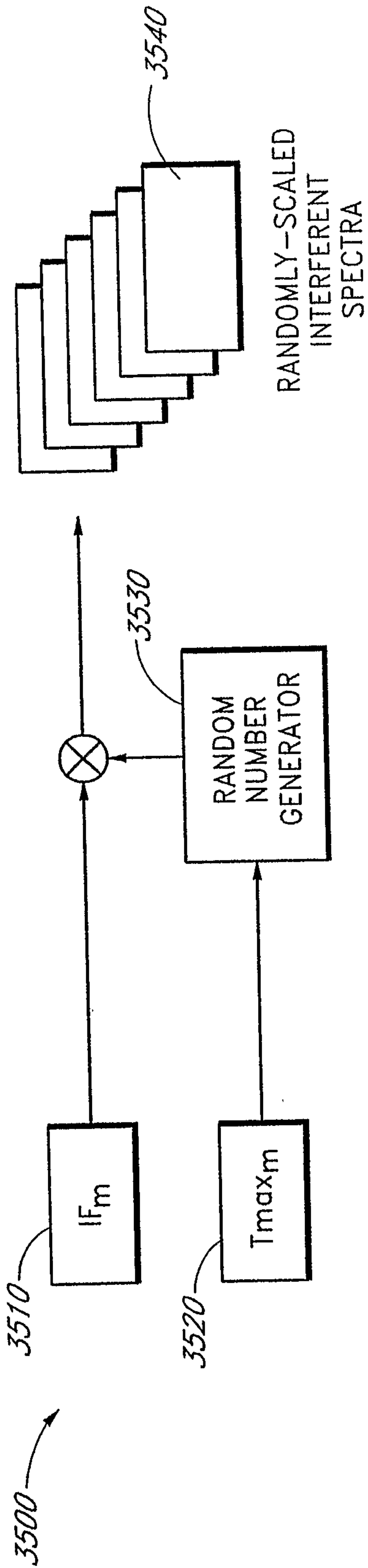


FIG. 35

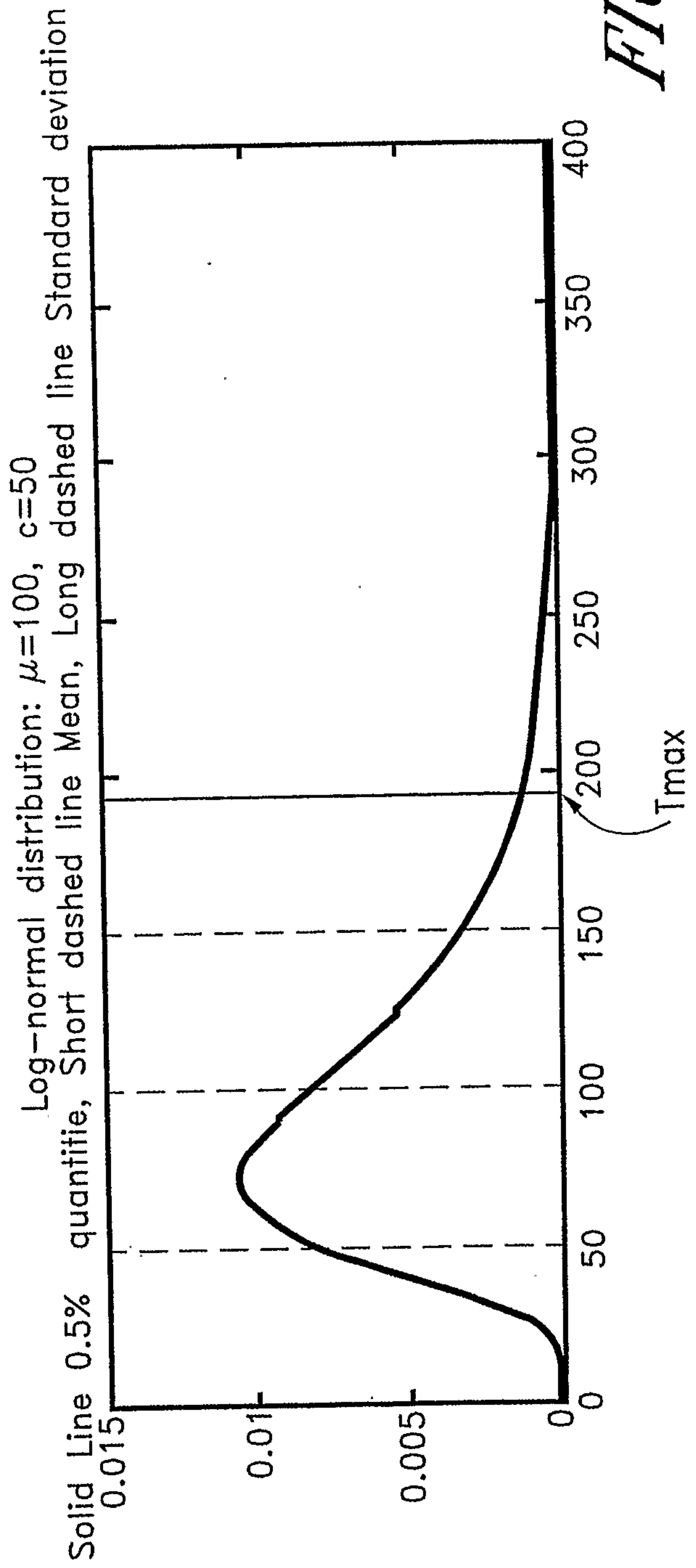


FIG. 36

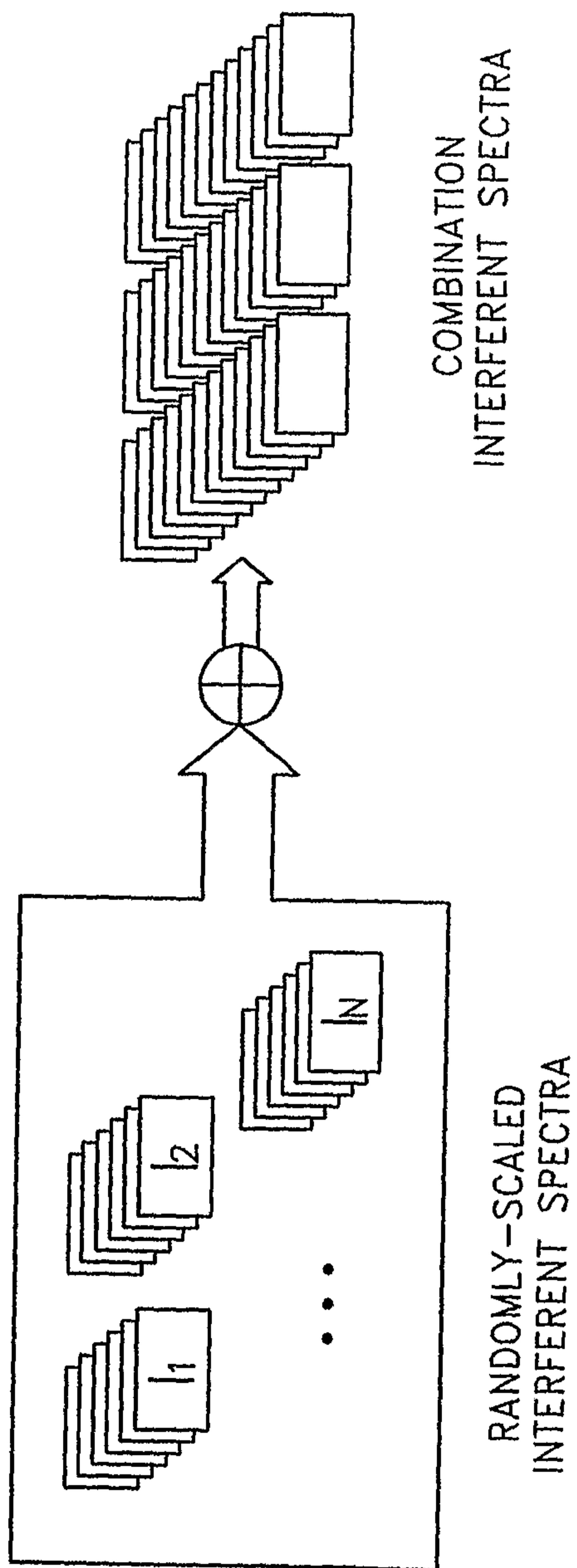


FIG. 37

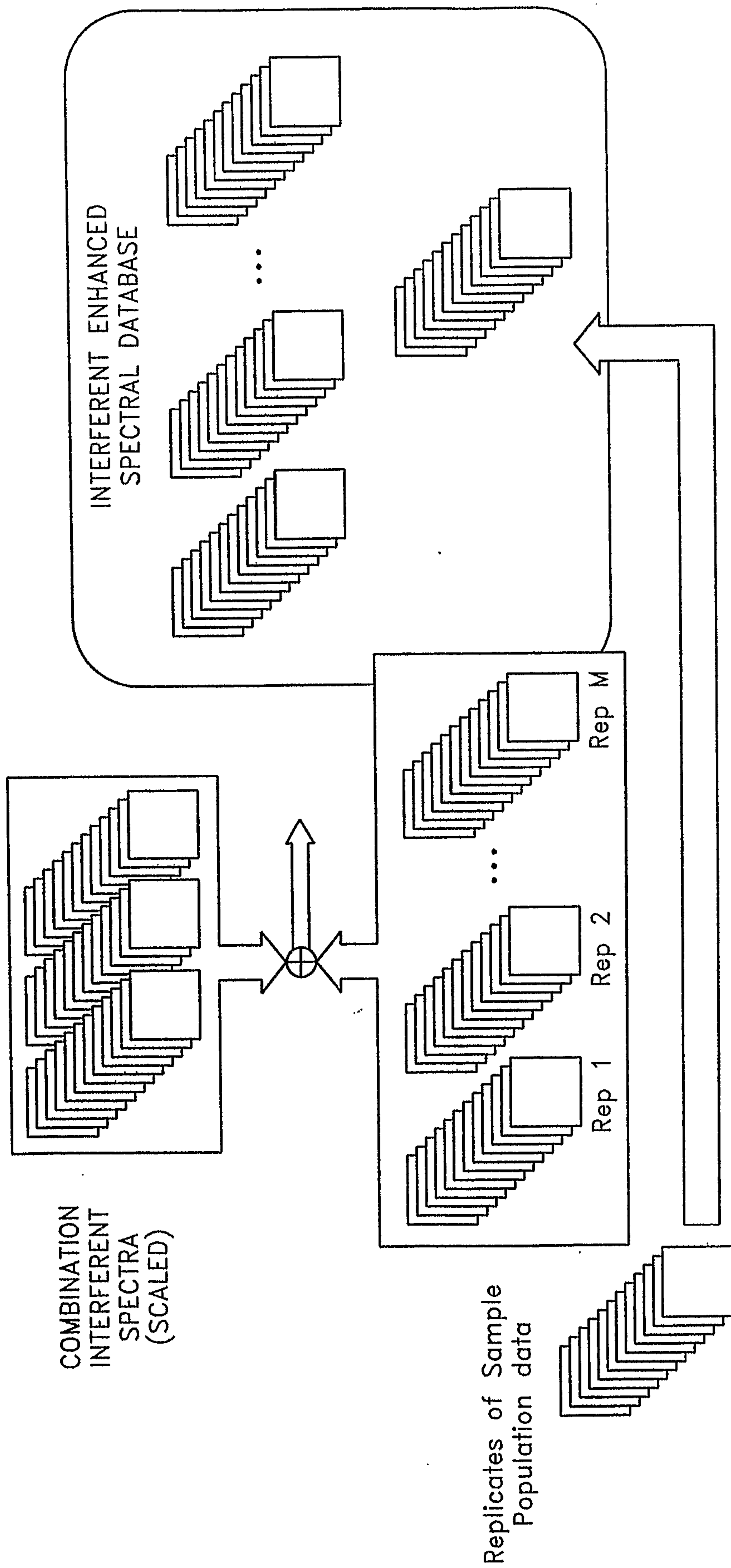


FIG. 38

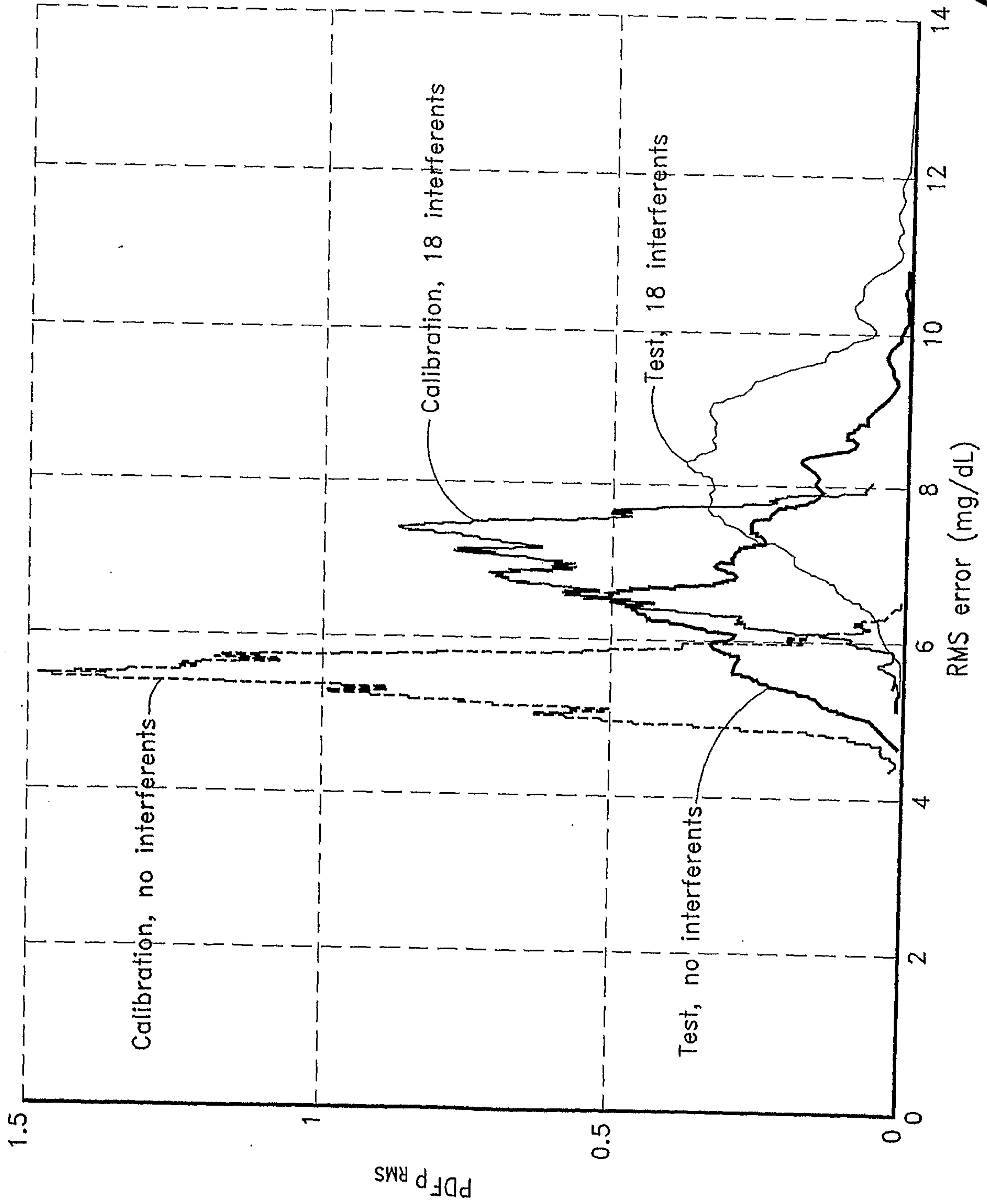


FIG. 39

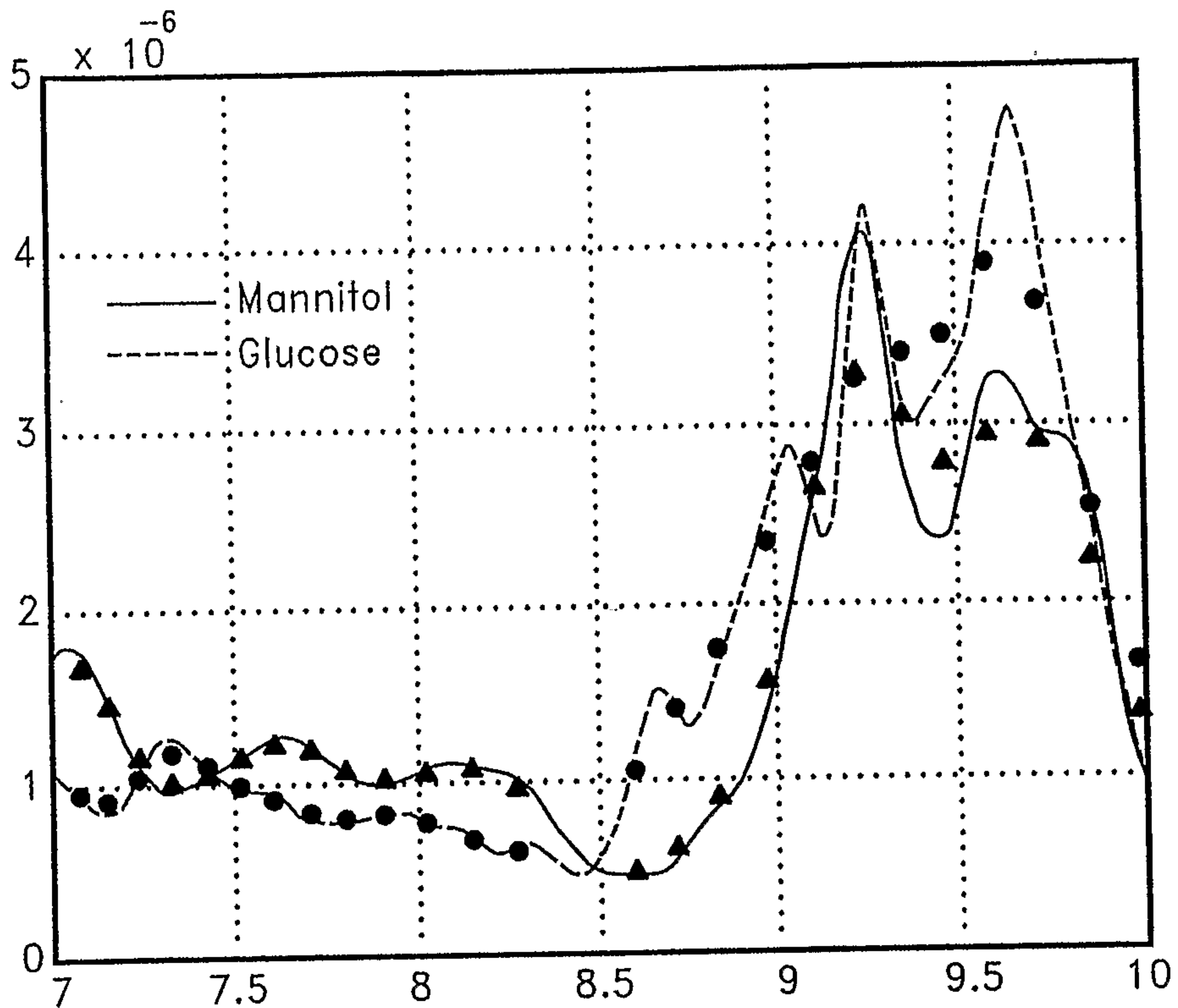


FIG. 40A

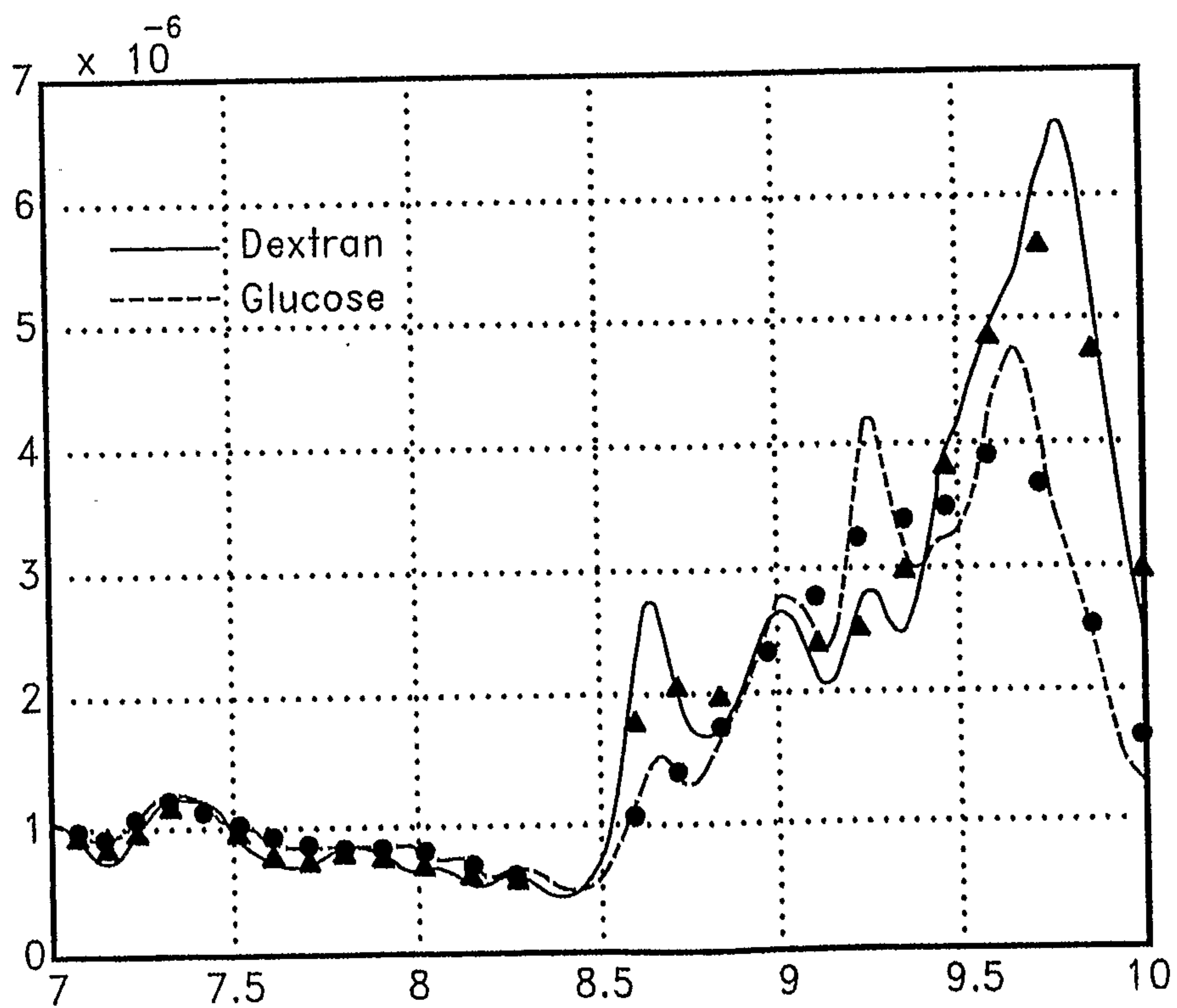


FIG. 40B

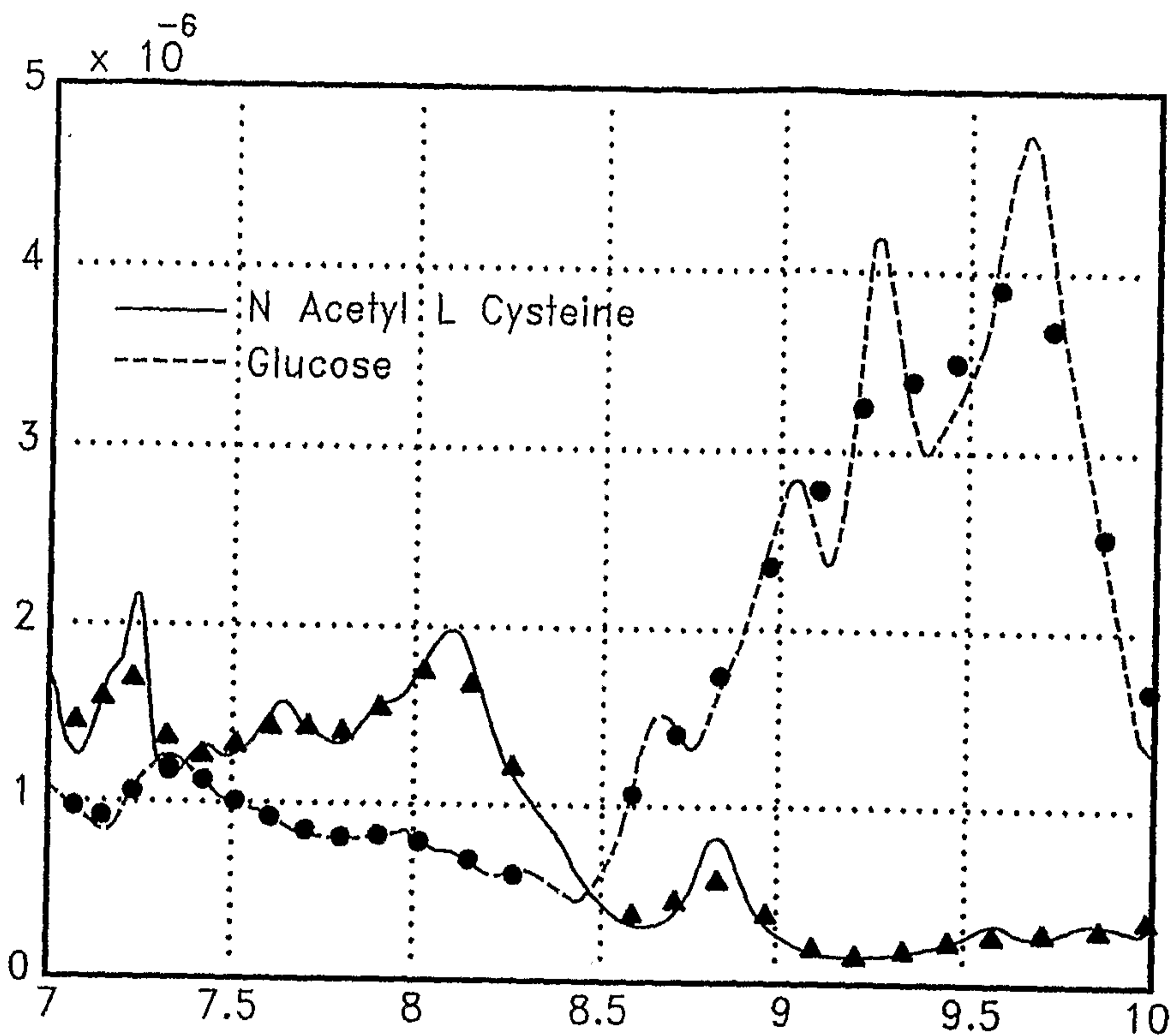


FIG. 40C

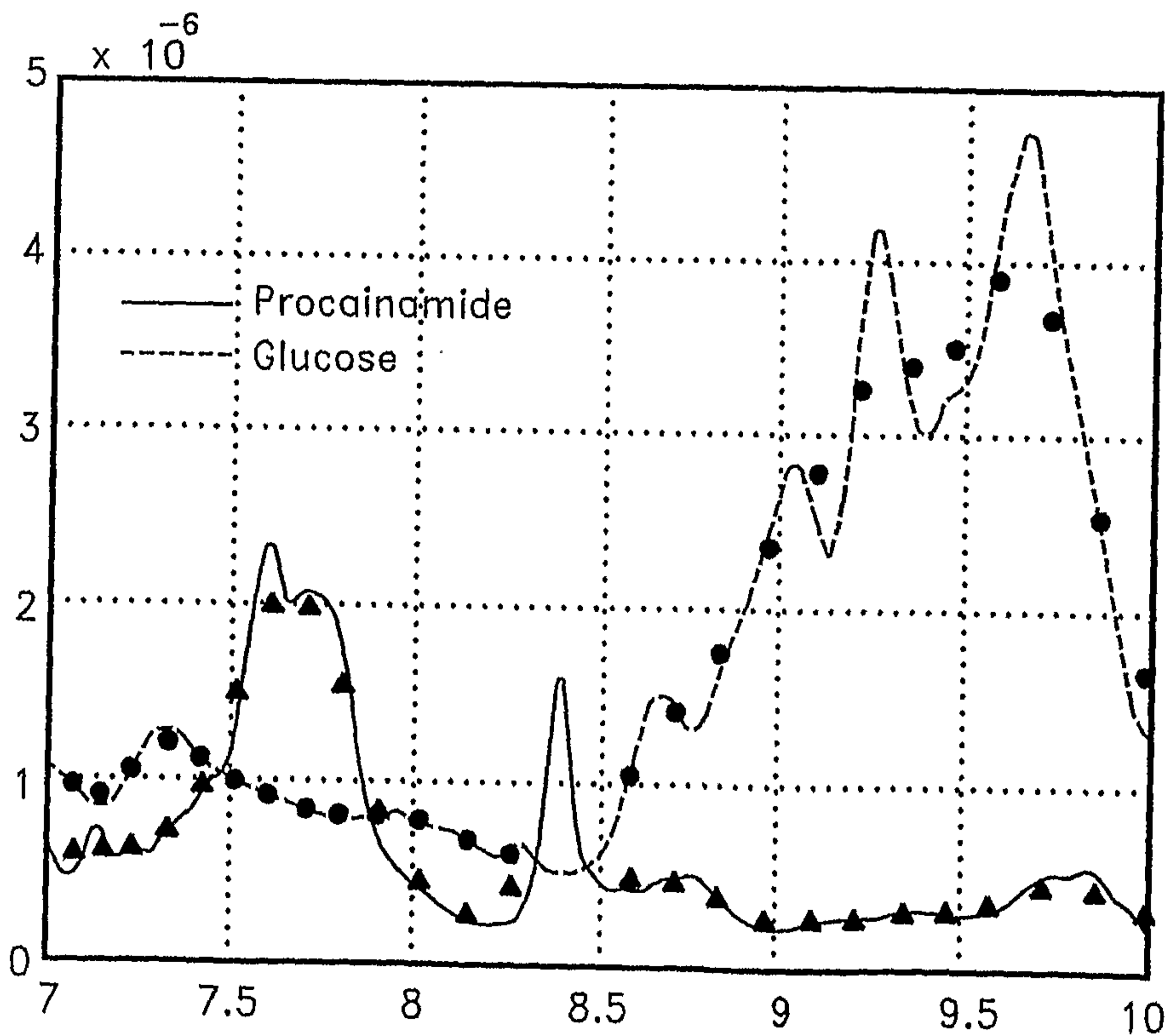


FIG. 40D

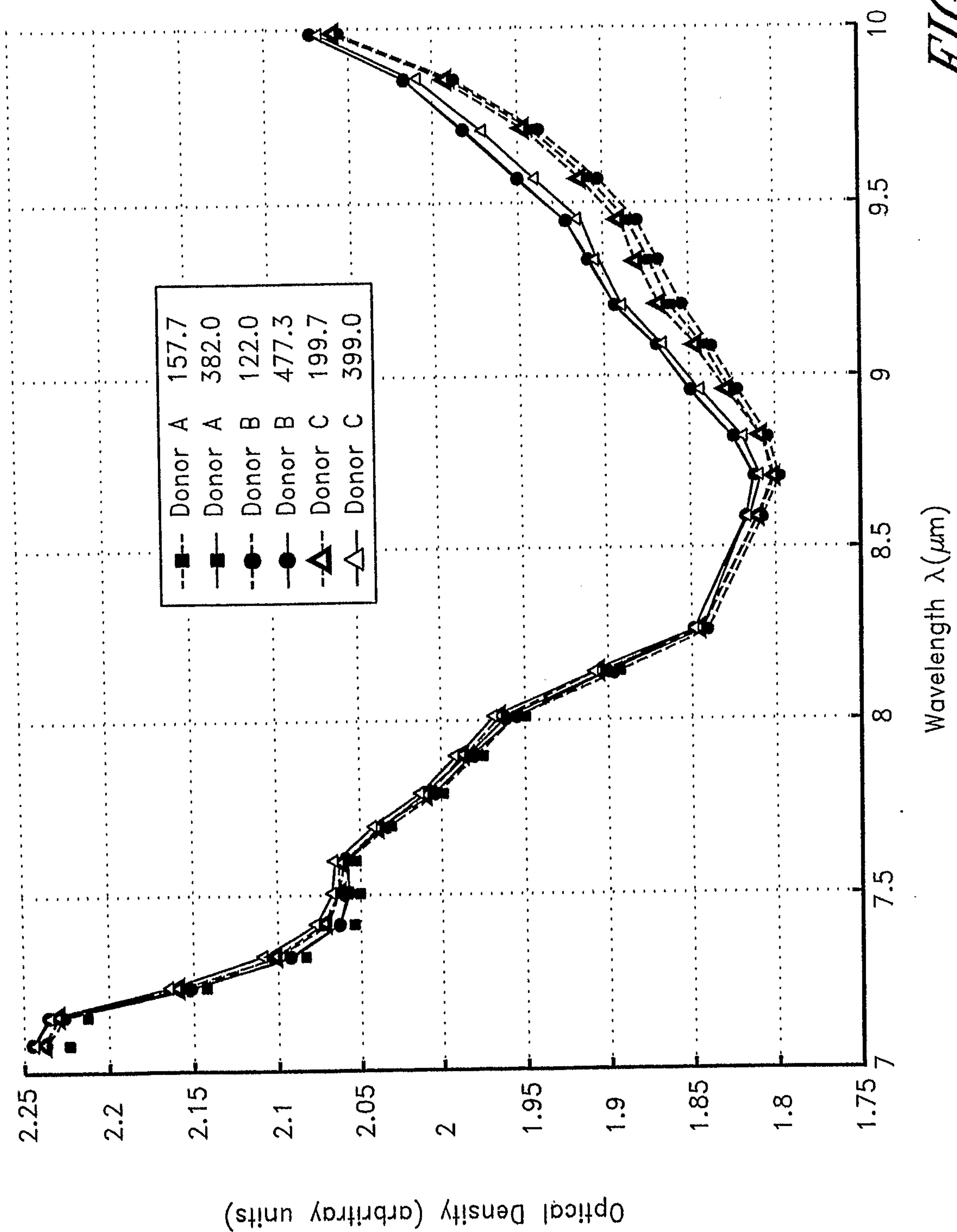


FIG. 41

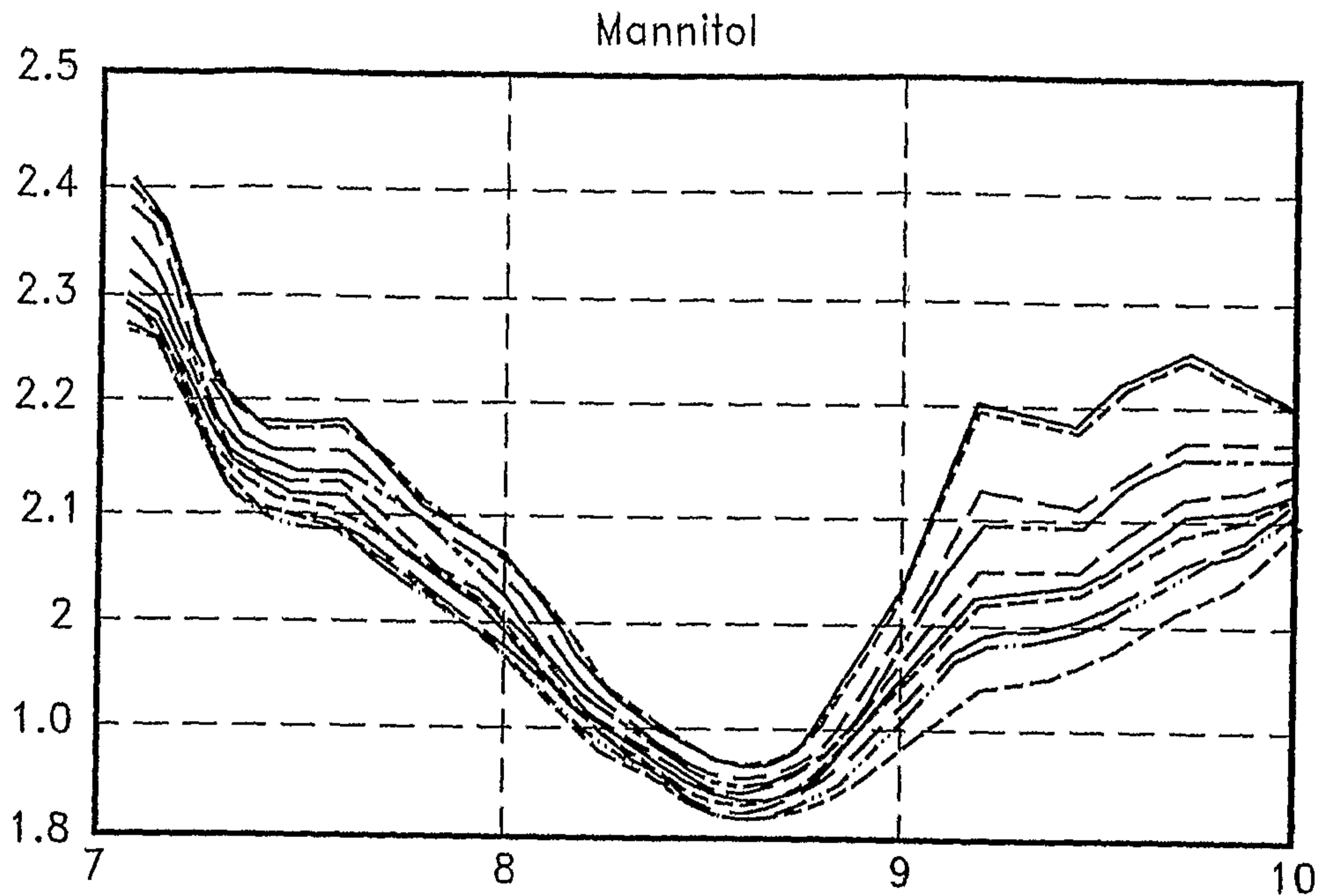


FIG. 42A

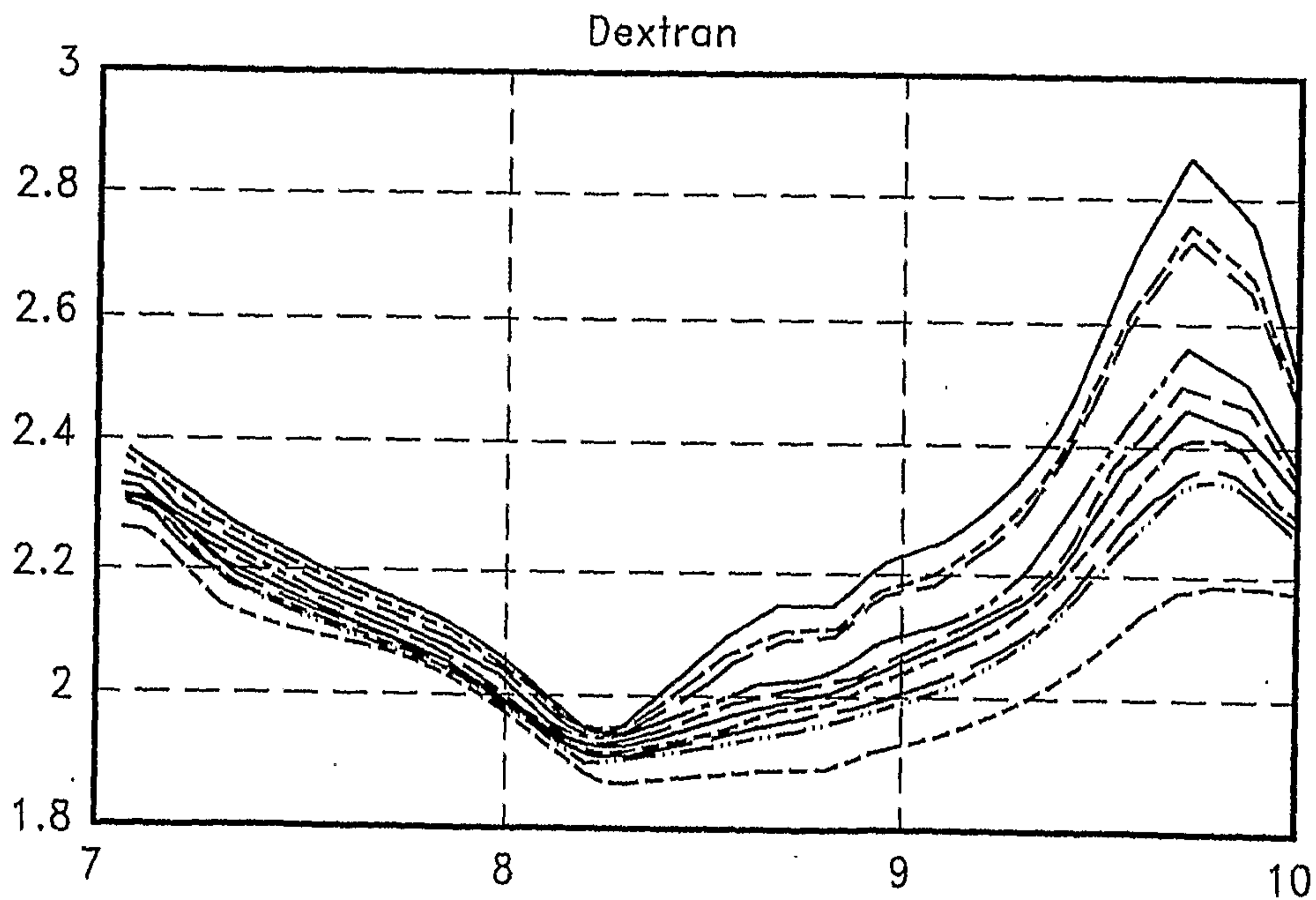


FIG. 42B

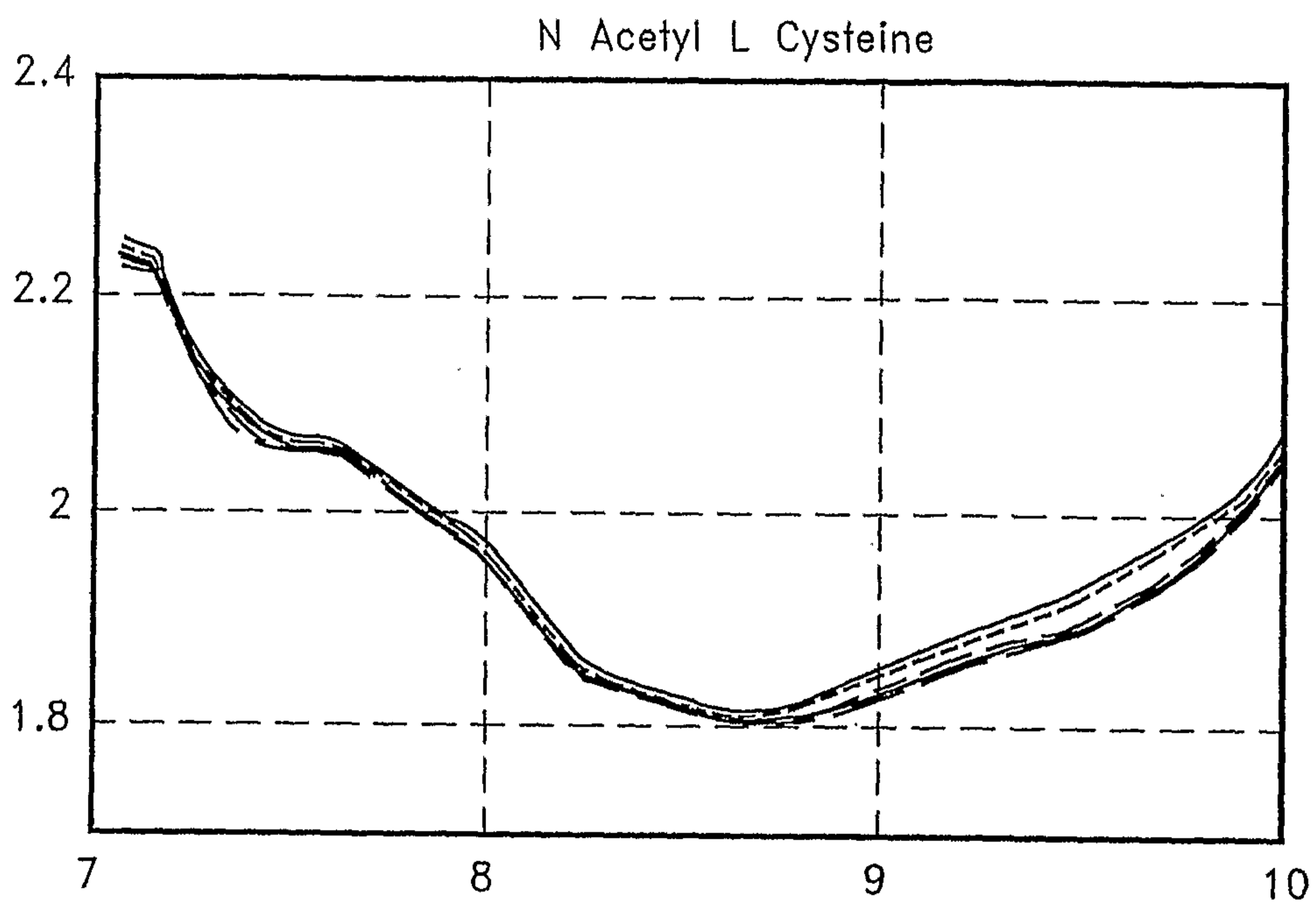


FIG. 42C

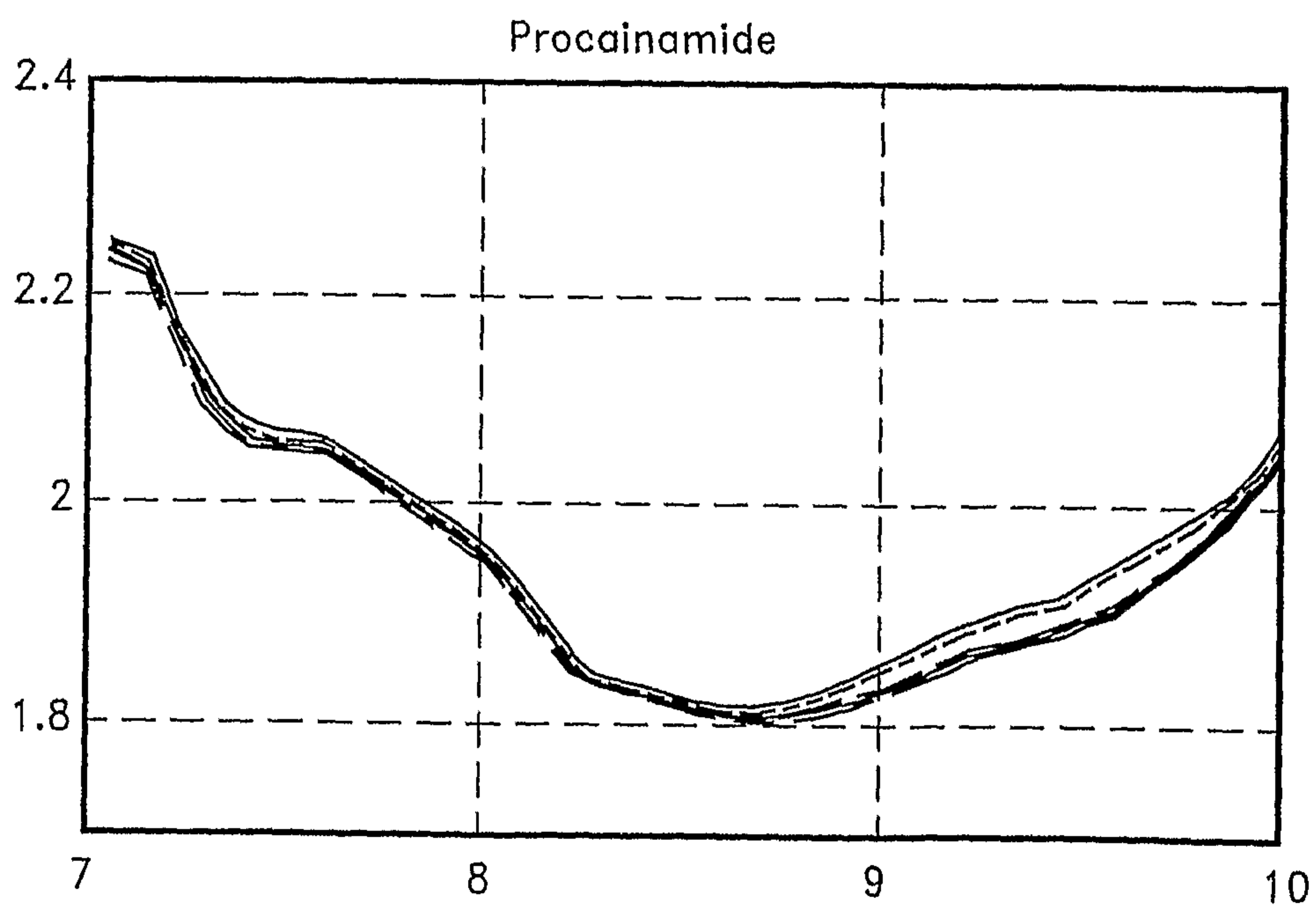


FIG. 42D

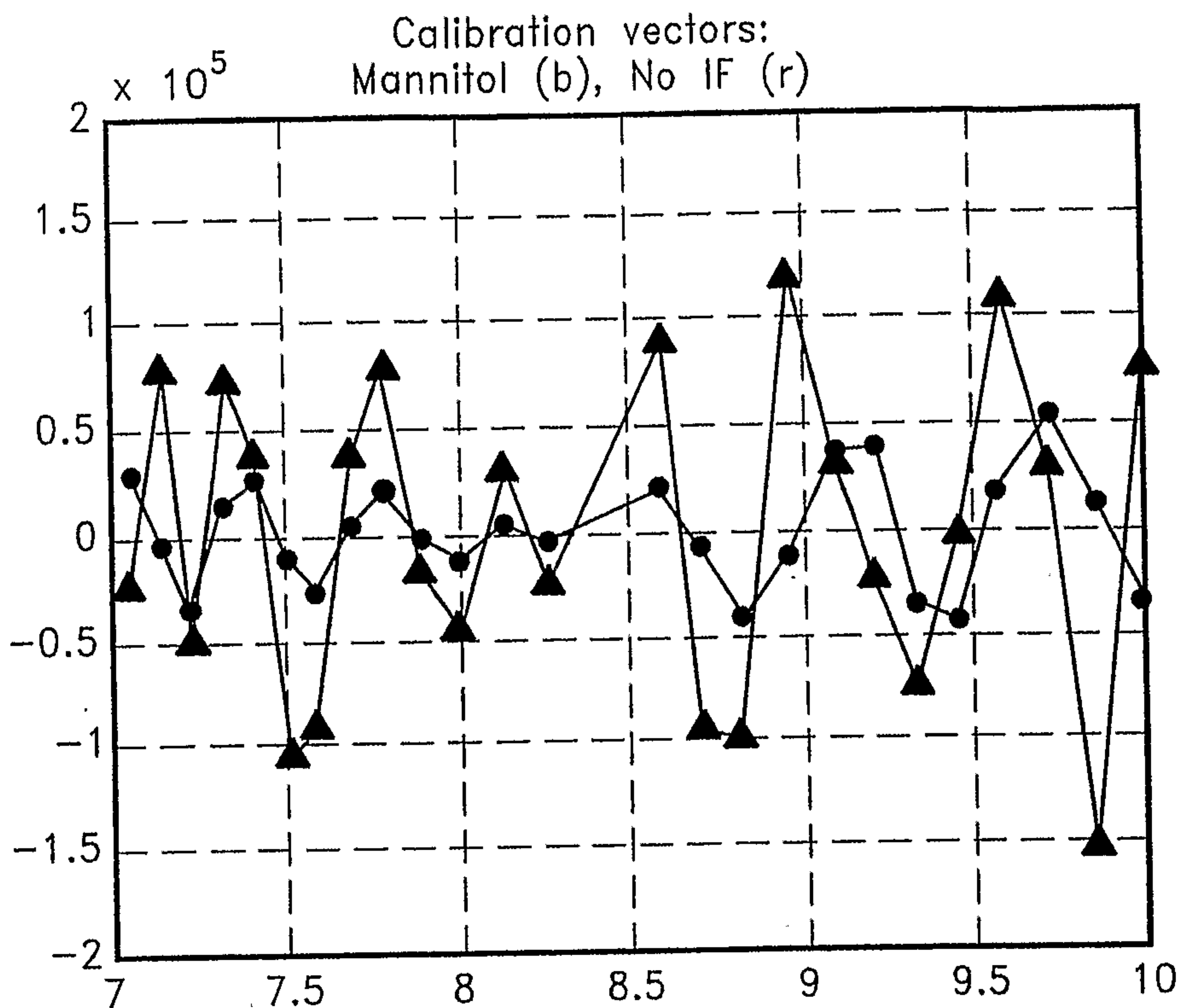


FIG. 43A

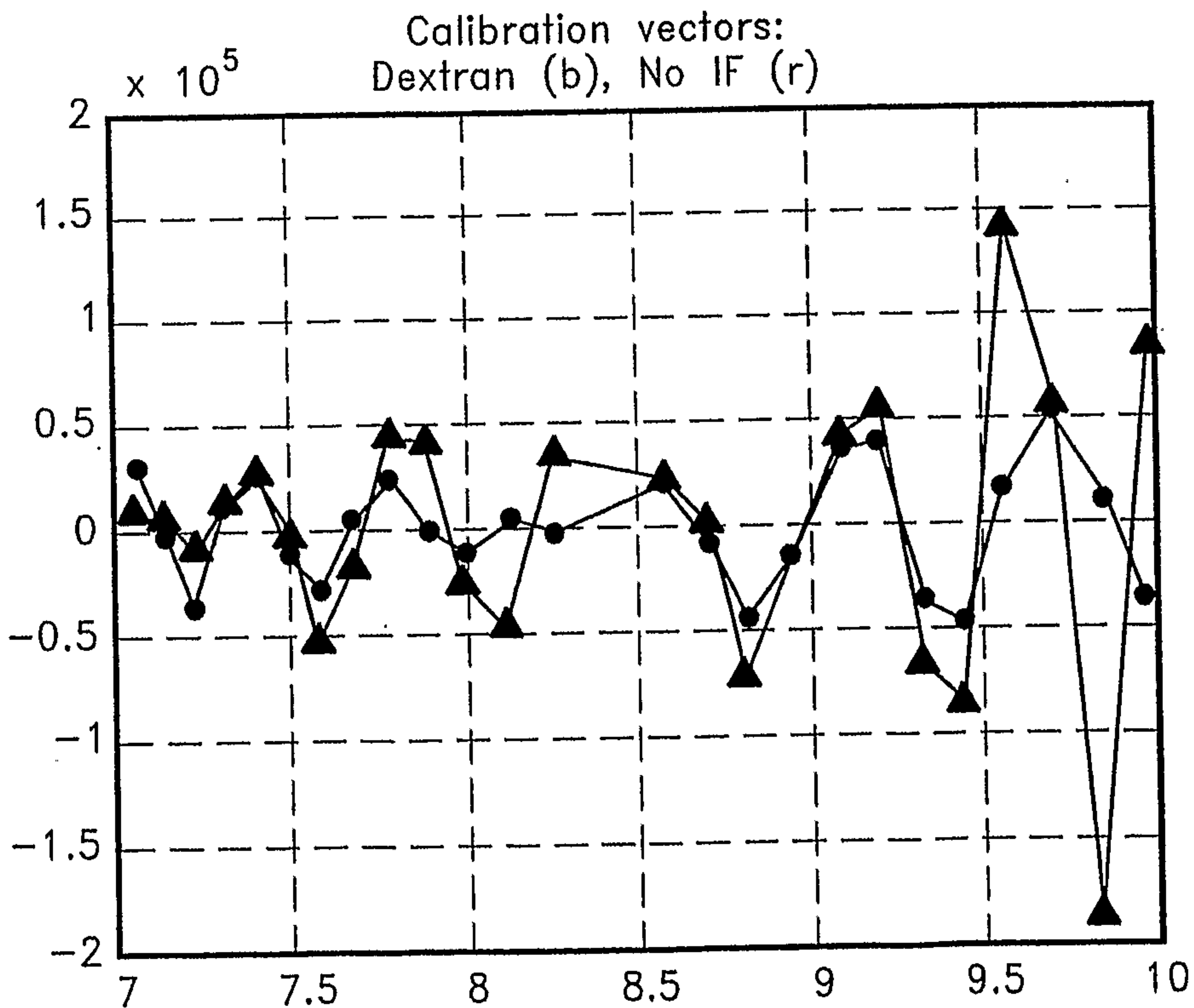


FIG. 43B

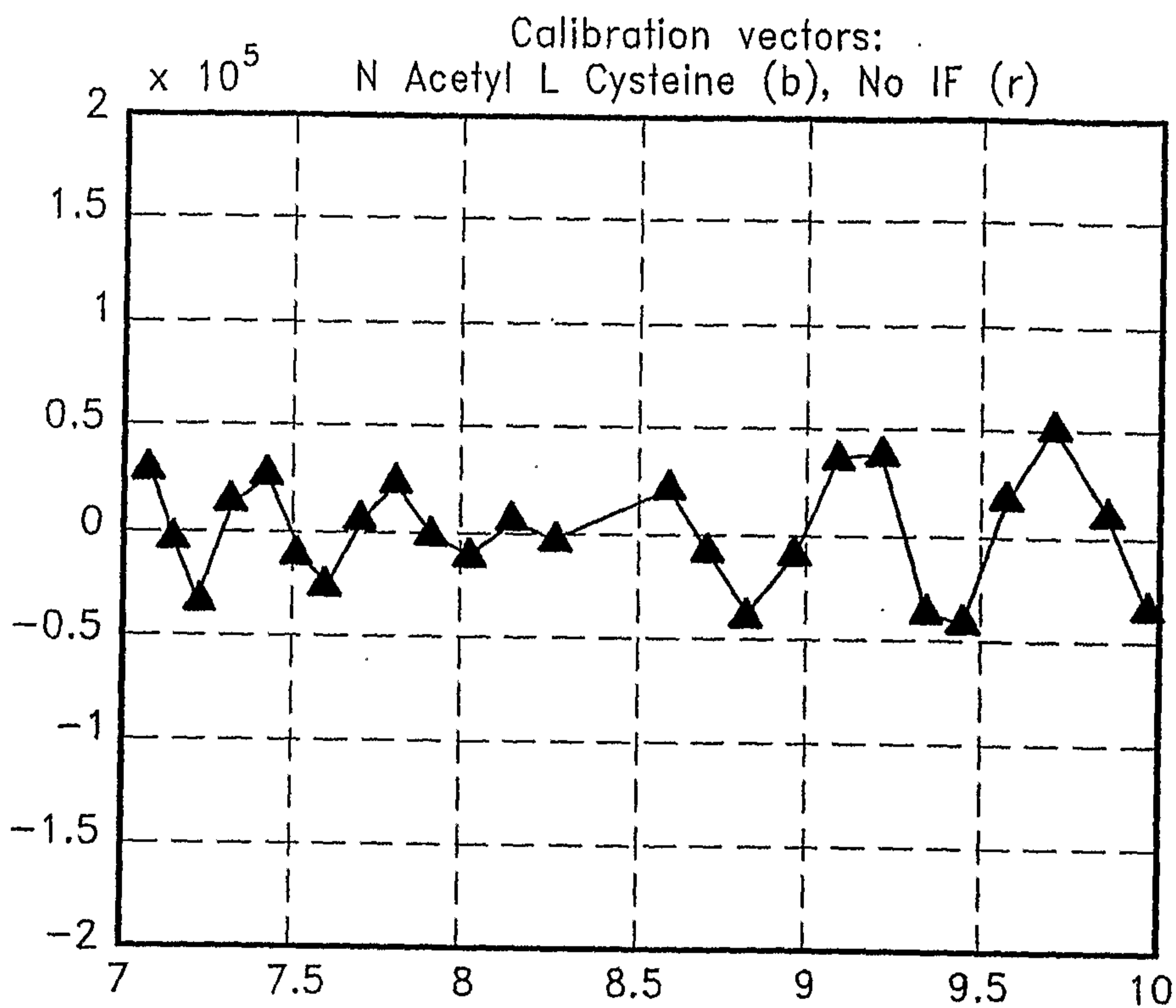


FIG. 43C

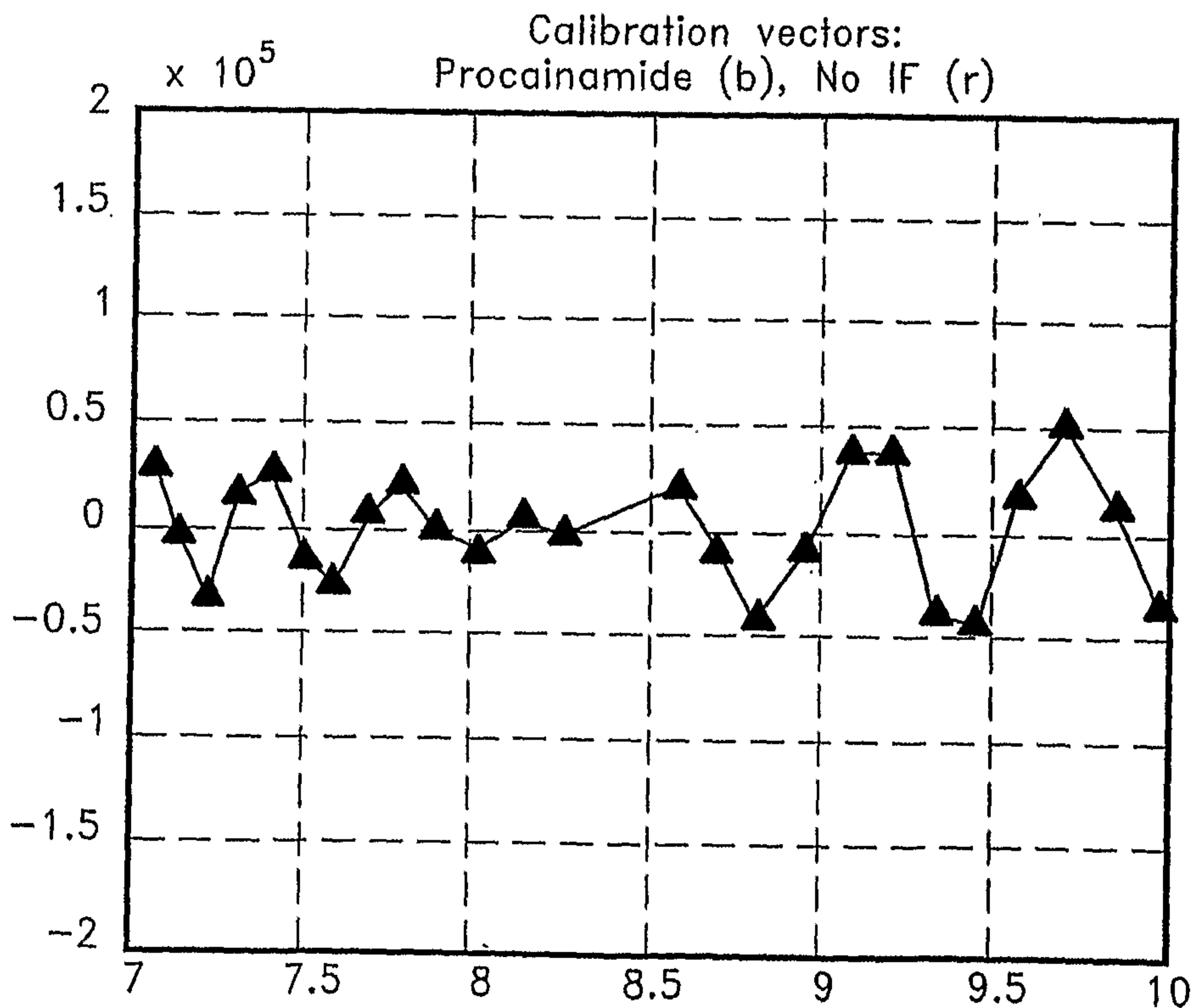


FIG. 43D

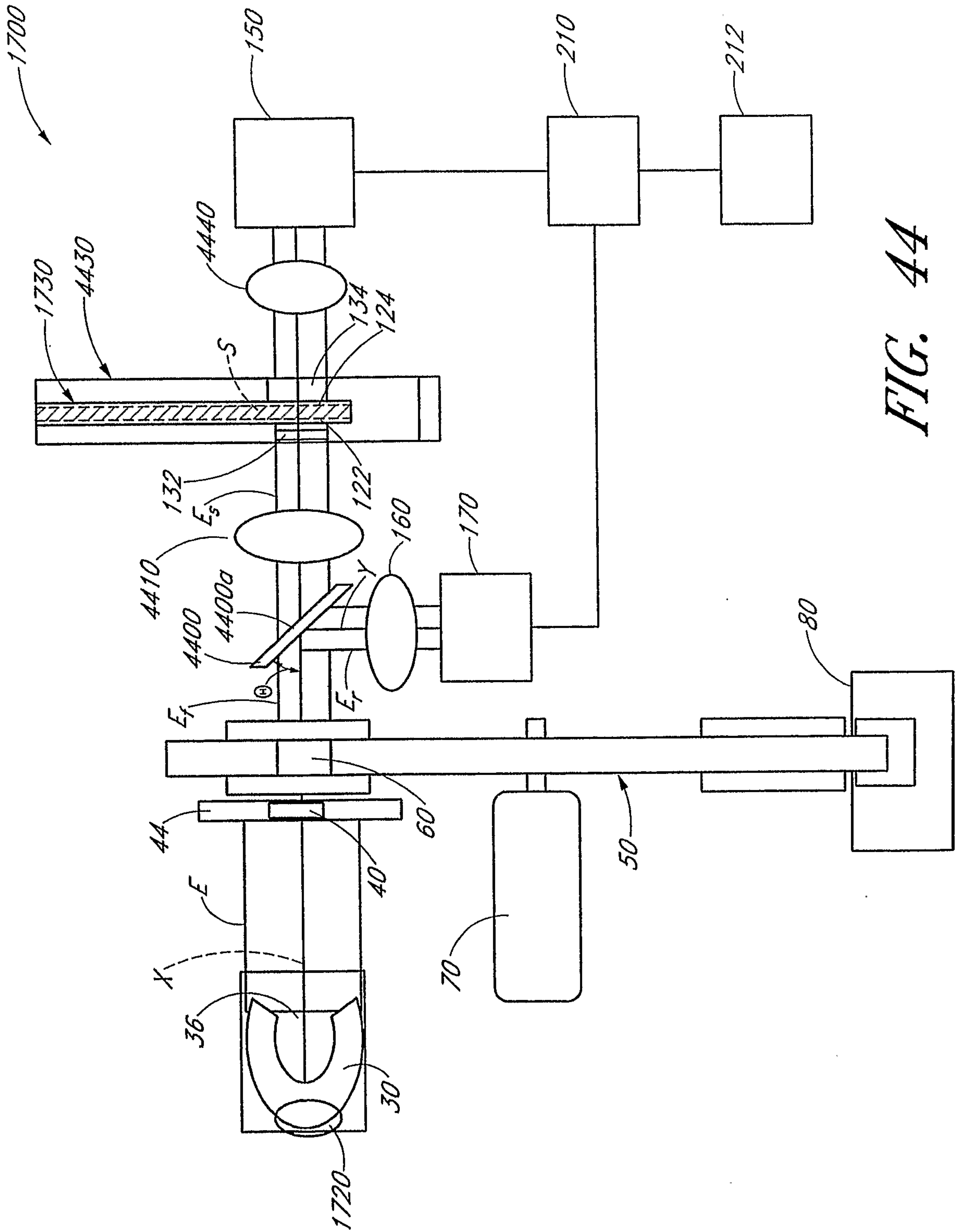


FIG. 44

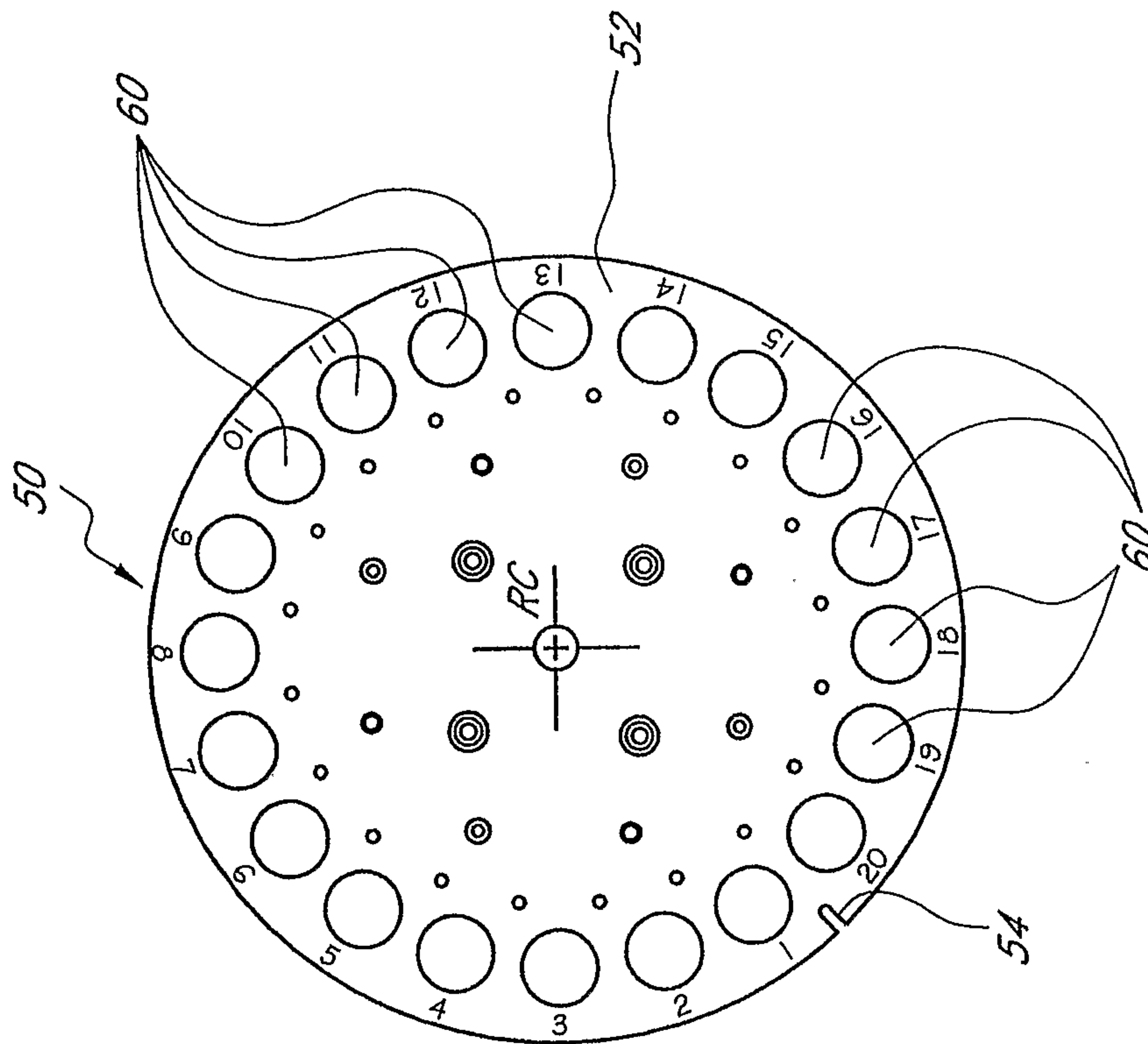


FIG. 45

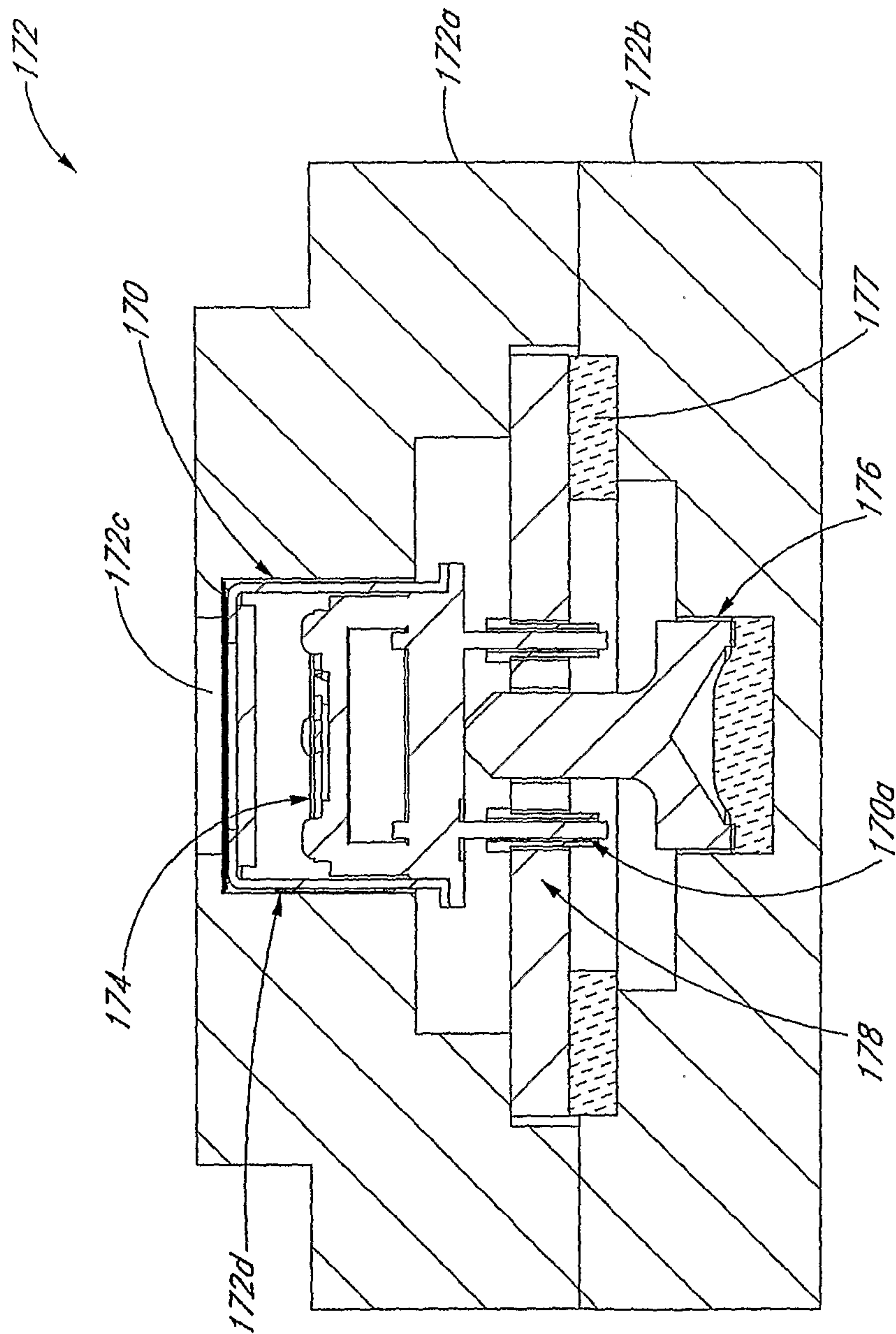
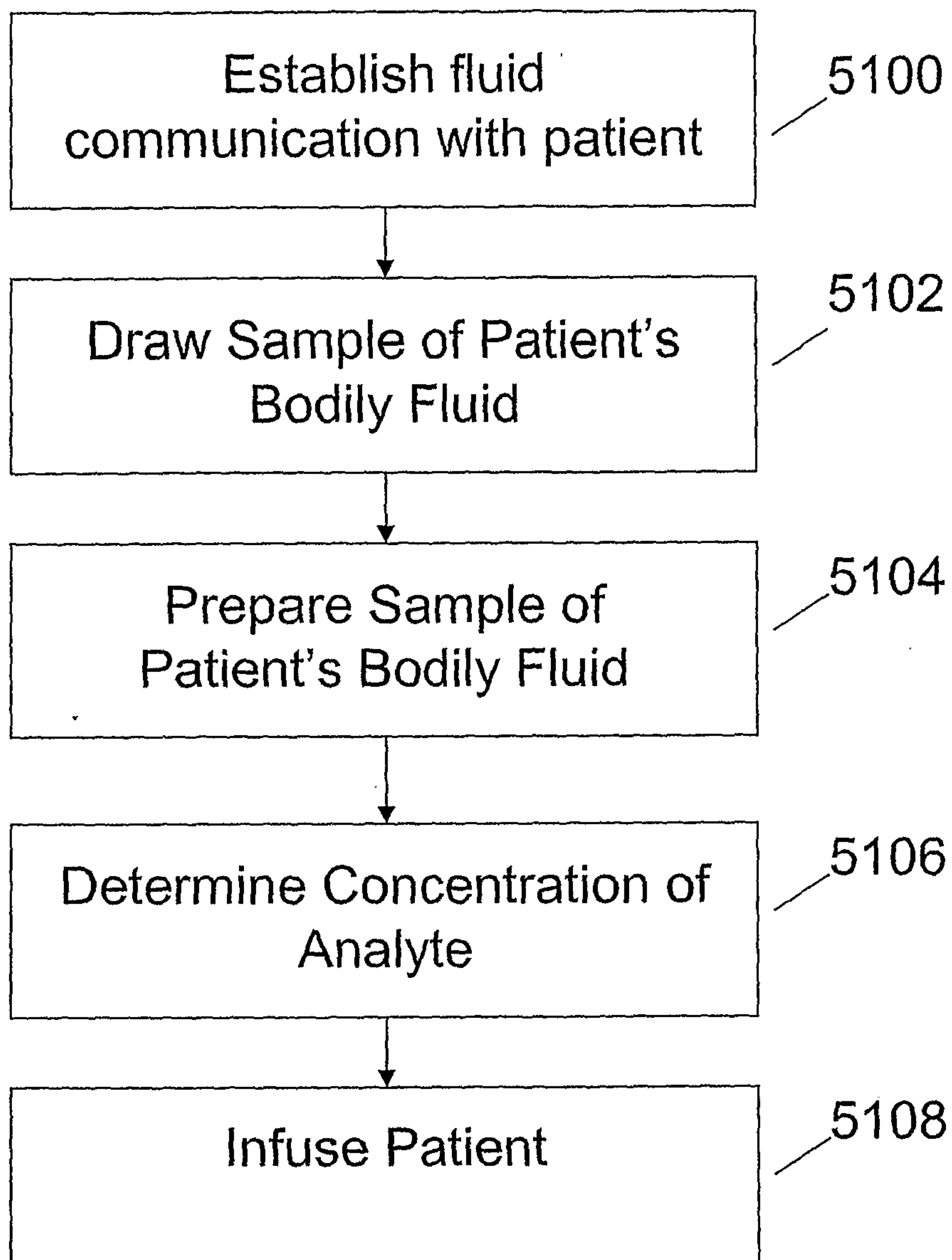


FIG. 48

**Fig. 49**

