



(43) International Publication Date
30 January 2014 (30.01.2014)

- (51) International Patent Classification:
B65H 19/29 (2006.01)
- (21) International Application Number:
PCT/IB2013/055731
- (22) International Filing Date:
12 July 2013 (12.07.2013)
- (25) Filing Language: Italian
- (26) Publication Language: English
- (30) Priority Data:
FI2012A000156 27 July 2012 (27.07.2012) IT
- (71) Applicant: **FABIO PERINI S.P.A.** [IT/IT]; Via per Mugnano, I-55100 Lucca (IT).
- (72) Inventors: **MAZZACHERINI, Graziano**; Via Romana Est, 172, I-55016 Porcari (LU) (IT). **MADDALENI, Romano**; Via Valdinievole Sud, 102, I-56031 Bientina (PI) (IT).
- (74) Agents: **MANNUCCI, Michele** et al.; Via della Scala, 4, I-50123 Firenze (IT).
- (81) Designated States (unless otherwise indicated, for every kind of national protection available): AE, AG, AL, AM, AO, AT, AU, AZ, BA, BB, BG, BH, BN, BR, BW, BY, BZ, CA, CH, CL, CN, CO, CR, CU, CZ, DE, DK, DM,

DO, DZ, EC, EE, EG, ES, FI, GB, GD, GE, GH, GM, GT, HN, HR, HU, ID, IL, IN, IS, JP, KE, KG, KN, KP, KR, KZ, LA, LC, LK, LR, LS, LT, LU, LY, MA, MD, ME, MG, MK, MN, MW, MX, MY, MZ, NA, NG, NI, NO, NZ, OM, PA, PE, PG, PH, PL, PT, QA, RO, RS, RU, RW, SC, SD, SE, SG, SK, SL, SM, ST, SV, SY, TH, TJ, TM, TN, TR, TT, TZ, UA, UG, US, UZ, VC, VN, ZA, ZM, ZW.

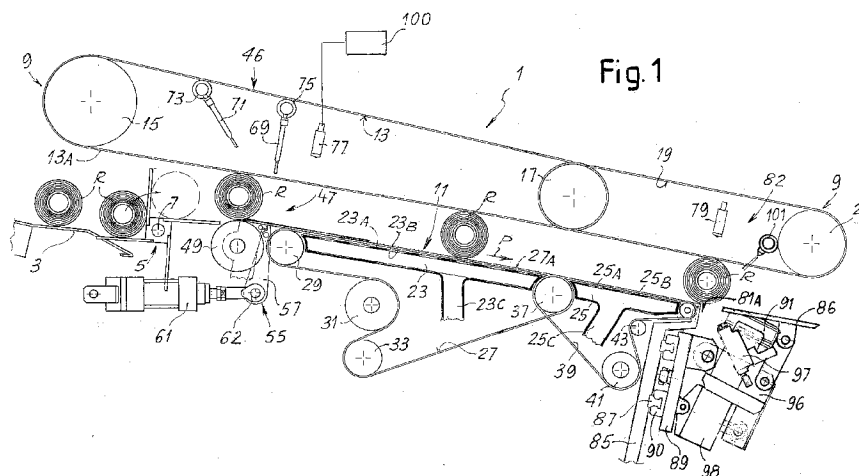
(84) Designated States (unless otherwise indicated, for every kind of regional protection available): ARIPO (BW, GH, GM, KE, LR, LS, MW, MZ, NA, RW, SD, SL, SZ, TZ, UG, ZM, ZW), Eurasian (AM, AZ, BY, KG, KZ, RU, TJ, TM), European (AL, AT, BE, BG, CH, CY, CZ, DE, DK, EE, ES, FI, FR, GB, GR, HR, HU, IE, IS, IT, LT, LU, LV, MC, MK, MT, NL, NO, PL, PT, RO, RS, SE, SI, SK, SM, TR), OAPI (BF, BJ, CF, CG, CI, CM, GA, GN, GQ, GW, KM, ML, MR, NE, SN, TD, TG).

Published:

- with international search report (Art. 21(3))
- before the expiration of the time limit for amending the claims and to be republished in the event of receipt of amendments (Rule 48.2(h))

(88) Date of publication of the international search report:
13 March 2014

(54) Title: MACHINE FOR CLOSING THE TAIL END OF A ROLL OF WEB MATERIAL



(57) Abstract: The machine comprises: a first glue-applying device (97) for closing the tail end; and a second mechanical-closing device (91) for mechanically anchoring the tail end of the roll (R) to a portion of an outer turn of the web material wound on the roll.



WO 2014/016725 A3

INTERNATIONAL SEARCH REPORT

International application No PCT/IB2013/055731

A. CLASSIFICATION OF SUBJECT MATTER INV. B65H19/29 ADD.				
According to International Patent Classification (IPC) or to both national classification and IPC				
B. FIELDS SEARCHED				
Minimum documentation searched (classification system followed by classification symbols) B65H				
Documentation searched other than minimum documentation to the extent that such documents are included in the fields searched				
Electronic data base consulted during the international search (name of data base and, where practicable, search terms used) EPO-Internal				
C. DOCUMENTS CONSIDERED TO BE RELEVANT				
Category*	Citation of document, with indication, where appropriate, of the relevant passages	Relevant to claim No.		
X	US 3 524 539 A (HERMAN WALTER H) 18 August 1970 (1970-08-18)	1		
A	column 2, line 70 - column 3, line 10 column 4, line 13 - line 14; figures	2-19		
X	& US 3 096 948 A (CONRAD JR FRANK G) 9 July 1963 (1963-07-09)	1		
A	column 7, line 40 - line 64; figures -----	2-19		
A	DE 195 28 264 A1 (TELA PAPIERFABRIK AG [CH]) 4 April 1996 (1996-04-04) column 8, line 30 - line 56; figures -----	1		
A	US 3 898 920 A (ZUCKER JERRY) 12 August 1975 (1975-08-12) the whole document -----	1		
----- -/--				
<table style="width: 100%; border: none;"> <tr> <td style="width: 50%; border: none;"><input checked="" type="checkbox"/> Further documents are listed in the continuation of Box C.</td> <td style="width: 50%; border: none;"><input checked="" type="checkbox"/> See patent family annex.</td> </tr> </table>			<input checked="" type="checkbox"/> Further documents are listed in the continuation of Box C.	<input checked="" type="checkbox"/> See patent family annex.
<input checked="" type="checkbox"/> Further documents are listed in the continuation of Box C.	<input checked="" type="checkbox"/> See patent family annex.			
* Special categories of cited documents :				
"A" document defining the general state of the art which is not considered to be of particular relevance "E" earlier application or patent but published on or after the international filing date "L" document which may throw doubts on priority claim(s) or which is cited to establish the publication date of another citation or other special reason (as specified) "O" document referring to an oral disclosure, use, exhibition or other means "P" document published prior to the international filing date but later than the priority date claimed	"T" later document published after the international filing date or priority date and not in conflict with the application but cited to understand the principle or theory underlying the invention "X" document of particular relevance; the claimed invention cannot be considered novel or cannot be considered to involve an inventive step when the document is taken alone "Y" document of particular relevance; the claimed invention cannot be considered to involve an inventive step when the document is combined with one or more other such documents, such combination being obvious to a person skilled in the art "&" document member of the same patent family			
Date of the actual completion of the international search	Date of mailing of the international search report			
6 January 2014	13/01/2014			
Name and mailing address of the ISA/ European Patent Office, P.B. 5818 Patentlaan 2 NL - 2280 HV Rijswijk Tel. (+31-70) 340-2040, Fax: (+31-70) 340-3016	Authorized officer Haaken, Willy			

INTERNATIONAL SEARCH REPORT

International application No PCT/IB2013/055731

C(Continuation). DOCUMENTS CONSIDERED TO BE RELEVANT		
Category*	Citation of document, with indication, where appropriate, of the relevant passages	Relevant to claim No.
A	US 4 097 983 A (COLE TERRELL A) 4 July 1978 (1978-07-04) the whole document -----	1
A	CH 690 353 A5 (TELA PAPIERFABRIK AG [CH]) 15 August 2000 (2000-08-15) claims; figures -----	1
A	EP 1 783 078 A2 (GAMBINI GIOVANNI [IT] GAMBINI INT SA [LU]) 9 May 2007 (2007-05-09) the whole document -----	1

INTERNATIONAL SEARCH REPORT

Information on patent family members

International application No

PCT/IB2013/055731

Patent document cited in search report	Publication date	Patent family member(s)	Publication date
US 3524539	A	18-08-1970	NONE

DE 19528264	A1	04-04-1996	AT 953 U1 26-08-1996
		DE 19528264 A1	04-04-1996

US 3898920	A	12-08-1975	NONE

US 4097983	A	04-07-1978	NONE

CH 690353	A5	15-08-2000	NONE

EP 1783078	A2	09-05-2007	AT 523458 T 15-09-2011
		EP 1783078 A2	09-05-2007
		ES 2373113 T3	31-01-2012
		US 2007102552 A1	10-05-2007
