

(19) World Intellectual Property Organization
International Bureau



(43) International Publication Date
16 October 2008 (16.10.2008)

PCT

(10) International Publication Number
WO 2008/123786 A3

(51) International Patent Classification:
H03M 3/02 (2006.01) H03M 1/12 (2006.01)
H03M 1/50 (2006.01)

(PL). MISKOWICZ, Marek [PL/PL]; os. Oswiecienia 38/1, PL-31-636 Krakow (PL).

(21) International Application Number:
PCT/PL2008/050006

(74) Agent: KACPERSKI, Andrzej; Kancelaria Prawno-Patentowa, ul. Kupa 3/9, PL-31-057 Krakow (PL).

(22) International Filing Date: 3 April 2008 (03.04.2008)

(81) Designated States (unless otherwise indicated, for every kind of national protection available): AE, AG, AL, AM, AO, AT, AU, AZ, BA, BB, BG, BH, BR, BW, BY, BZ, CA, CH, CN, CO, CR, CU, CZ, DE, DK, DM, DO, DZ, EC, EE, EG, ES, FI, GB, GD, GE, GH, GM, GT, HN, HR, HU, ID, IL, IN, IS, JP, KE, KG, KM, KN, KP, KR, KZ, LA, LC, LK, LR, LS, LT, LU, LY, MA, MD, ME, MG, MK, MN, MW, MX, MY, MZ, NA, NG, NI, NO, NZ, OM, PG, PH, PL, PT, RO, RS, RU, SC, SD, SE, SG, SK, SL, SM, SV, SY, TJ, TM, TN, TR, TT, TZ, UA, UG, US, UZ, VC, VN, ZA, ZM, ZW.

(25) Filing Language: English

(26) Publication Language: English

(30) Priority Data:
P 382 152 5 April 2007 (05.04.2007) PL
P 384 548 26 February 2008 (26.02.2008) PL

(71) Applicant (for all designated States except US):
AKADEMIA GORNICZO-HUTNICZA IM. STANISLAWA STASZICA [PL/PL]; al. Mickiewicza 30, PL-30-059 Krakow (PL).

(72) Inventors; and

(75) Inventors/Applicants (for US only): KOSCIELNIK, Dariusz [PL/PL]; ul. Brogi 16a/11, PL-31-431 Krakow

(84) Designated States (unless otherwise indicated, for every kind of regional protection available): ARIPO (BW, GH, GM, KE, LS, MW, MZ, NA, SD, SL, SZ, TZ, UG, ZM, ZW), Eurasian (AM, AZ, BY, KG, KZ, MD, RU, TJ, TM),

[Continued on next page]

(54) Title: METHOD AND APPARATUS FOR ANALOG-TO-DIGITAL CONVERSION USING ASYNCHRONOUS SIGMA-DELTA MODULATION

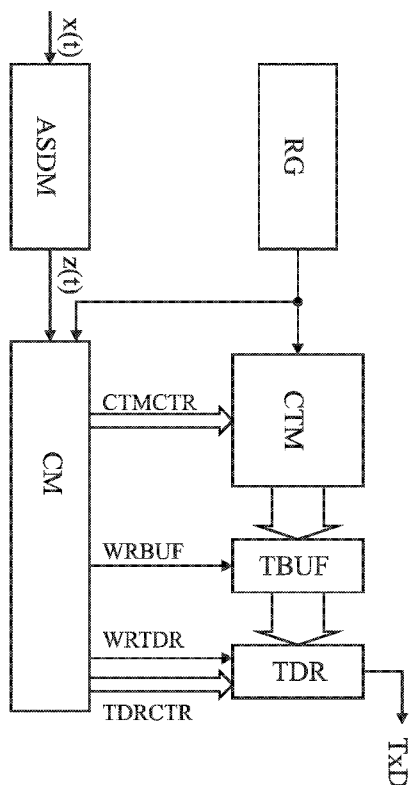


Fig. 1

(57) Abstract: The solution according to the invention consisting in the modulation of the analog signal using the asynchronous Sigma-Delta modulator, counting periods of the reference clock during each pulse of the previously obtained square wave and making the digital word available is characterized in that the square wave (z(t)) obtained in result of the modulation in the asynchronous Sigma-Delta modulator (ASDM) is subjected to conversion by counting the periods (T₀) of the reference clock (RG) during subsequent pulses of that square wave (z(t)) by means of the counting module (CTM), and then each word obtained representing the number of periods (T₀) of the reference clock (RG) counted during each given pulse of the square wave (z(t)) is recorded and stored in the intermediate buffer (TBUF); and the duration of the serial transmission of the digital word obtained in result of counting the periods of the reference clock (RG) during previous pulse of the square wave (z(t)) is simultaneously controlled by the control module (CM); and as soon as this transmission is completed, the content of the intermediate buffer (TBUF) is transferred to the transmitting buffer (TDR) of the apparatus; and after that a given digital word representing a given pulse of the squarewave (z(t)) is transmitted serially to the computer or to the communication network; then the cycle is repeated for the next pulse of the square wave (z(t)).

WO 2008/123786 A3



European (AT, BE, BG, CH, CY, CZ, DE, DK, EE, ES, FI, FR, GB, GR, HR, HU, IE, IS, IT, LT, LU, LV, MC, MT, NL, NO, PL, PT, RO, SE, SI, SK, TR), OAPI (BF, BJ, CF, CG, CI, CM, GA, GN, GQ, GW, ML, MR, NE, SN, TD, TG).

— *before the expiration of the time limit for amending the claims and to be republished in the event of receipt of amendments*

Published:

— *with international search report*

(88) Date of publication of the international search report:

27 November 2008

INTERNATIONAL SEARCH REPORT

International application No
PCT/PL2008/050006

A. CLASSIFICATION OF SUBJECT MATTER INV. H03M3/02 H03M1/50 ADD. H03M1/12				
According to International Patent Classification (IPC) or to both national classification and IPC				
B. FIELDS SEARCHED				
Minimum documentation searched (classification system followed by classification symbols) H03M G04F				
Documentation searched other than minimum documentation to the extent that such documents are included in the fields searched				
Electronic data base consulted during the international search (name of data base and, where practical, search terms used) EPO-Internal, WPI Data, COMPENDEX, INSPEC, IBM-TDB				
C. DOCUMENTS CONSIDERED TO BE RELEVANT				
Category*	Citation of document, with indication, where appropriate, of the relevant passages	Relevant to claim No.		
X	US 2005/190865 A1 (LAZAR AUREL A [US] ET AL) 1 September 2005 (2005-09-01) cited in the application paragraphs [0032], [0049]; figures 1,2,4 -----	1-9		
<input type="checkbox"/> Further documents are listed in the continuation of Box C.				
<input checked="" type="checkbox"/> See patent family annex.				
* Special categories of cited documents :				
<table style="width:100%; border:none;"> <tr> <td style="width:50%; border:none;"> *A* document defining the general state of the art which is not considered to be of particular relevance *E* earlier document but published on or after the international filing date *L* document which may throw doubts on priority claim(s) or which is cited to establish the publication date of another citation or other special reason (as specified) *O* document referring to an oral disclosure, use, exhibition or other means *P* document published prior to the international filing date but later than the priority date claimed </td> <td style="width:50%; border:none;"> *T* later document published after the international filing date or priority date and not in conflict with the application but cited to understand the principle or theory underlying the invention *X* document of particular relevance; the claimed invention cannot be considered novel or cannot be considered to involve an inventive step when the document is taken alone *Y* document of particular relevance; the claimed invention cannot be considered to involve an inventive step when the document is combined with one or more other such documents, such combination being obvious to a person skilled in the art. *&* document member of the same patent family </td> </tr> </table>			*A* document defining the general state of the art which is not considered to be of particular relevance *E* earlier document but published on or after the international filing date *L* document which may throw doubts on priority claim(s) or which is cited to establish the publication date of another citation or other special reason (as specified) *O* document referring to an oral disclosure, use, exhibition or other means *P* document published prior to the international filing date but later than the priority date claimed	*T* later document published after the international filing date or priority date and not in conflict with the application but cited to understand the principle or theory underlying the invention *X* document of particular relevance; the claimed invention cannot be considered novel or cannot be considered to involve an inventive step when the document is taken alone *Y* document of particular relevance; the claimed invention cannot be considered to involve an inventive step when the document is combined with one or more other such documents, such combination being obvious to a person skilled in the art. *&* document member of the same patent family
A document defining the general state of the art which is not considered to be of particular relevance *E* earlier document but published on or after the international filing date *L* document which may throw doubts on priority claim(s) or which is cited to establish the publication date of another citation or other special reason (as specified) *O* document referring to an oral disclosure, use, exhibition or other means *P* document published prior to the international filing date but later than the priority date claimed	*T* later document published after the international filing date or priority date and not in conflict with the application but cited to understand the principle or theory underlying the invention *X* document of particular relevance; the claimed invention cannot be considered novel or cannot be considered to involve an inventive step when the document is taken alone *Y* document of particular relevance; the claimed invention cannot be considered to involve an inventive step when the document is combined with one or more other such documents, such combination being obvious to a person skilled in the art. *&* document member of the same patent family			
Date of the actual completion of the international search <p align="center">23 September 2008</p>		Date of mailing of the international search report <p align="center">30/09/2008</p>		
Name and mailing address of the ISA/ European Patent Office, P.B. 5818 Patentlaan 2 NL - 2280 HV Rijswijk Tel. (+31-70) 340-2040, Tx. 31 651 epo.nl, Fax: (+31-70) 340-3016		Authorized officer <p align="center">Beindorff, Henk</p>		

INTERNATIONAL SEARCH REPORT

Information on patent family members

International application No

PCT/PL2008/050006

Patent document cited in search report	Publication date	Patent family member(s)	Publication date
US 2005190865	A1	NONE	01-09-2005