



US00D573198S

(12) **United States Design Patent**
Bramfitt

(10) **Patent No.:** **US D573,198 S**

(45) **Date of Patent:** **** Jul. 15, 2008**

(54) **ELECTRONIC GAMES APPARATUS**

(75) Inventor: **Jeff Bramfitt**, Liverpool (GB)

(73) Assignee: **Sony Computer Entertainment Europe Limited**, London (GB)

(**) Term: **14 Years**

(21) Appl. No.: **29/255,991**

(22) Filed: **Mar. 14, 2006**

(30) **Foreign Application Priority Data**

Sep. 14, 2005 (EM) 000403241-0001

(51) **LOC (8) Cl.** **21-01**

(52) **U.S. Cl.** **D21/333; D21/324; D21/385; D14/400; D14/414**

(58) **Field of Classification Search** **D14/400, D14/401, 414, 416, 412, 432; D21/324, D21/333, 385, 477, 561, 566; 273/148 B, 273/440, 441, 442; 434/45, 46; 463/1, 29-35, 463/46, 47**

See application file for complete search history.

(56) **References Cited**

U.S. PATENT DOCUMENTS

5,829,745 A *	11/1998	Houle	273/148 B
D410,970 S *	6/1999	Larian	D21/329
D420,708 S *	2/2000	Holmes et al.	D21/329
D434,086 S *	11/2000	Ford	D21/328
D444,820 S *	7/2001	Knaub et al.	D21/333
6,279,906 B1 *	8/2001	Sanderson et al.	273/148 B
D451,557 S *	12/2001	Yu	D21/328

6,544,124 B2 *	4/2003	Ireland et al.	463/37
D497,365 S *	10/2004	Hussaini et al.	D14/414
6,976,677 B1 *	12/2005	McVicar	273/148 B
D517,124 S *	3/2006	Merril et al.	D21/324
D522,516 S *	6/2006	Hussaini et al.	D14/414
D553,622 S *	10/2007	Petrota	D14/414

* cited by examiner

Primary Examiner—Prabhakar Deshmukh

(74) *Attorney, Agent, or Firm*—Katten Muchin Rosenman LLP

(57) **CLAIM**

What is claimed is the ornamental design for an electronic games apparatus, as shown and described.

DESCRIPTION

FIG. 1 is a perspective view of my electronic games apparatus showing my new design with a front console cover removed;

FIG. 2 is a perspective view thereof with the front console cover in place;

FIG. 3 is a front view thereof with the front console cover removed;

FIG. 4 is a front view thereof with the front console cover in place;

FIG. 5 is a rear view thereof;

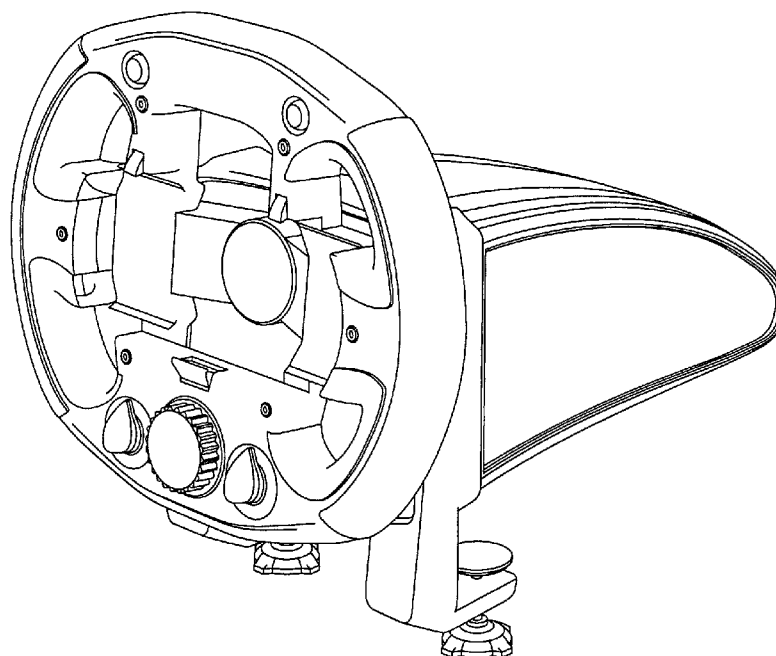
FIG. 6 is a right-side view thereof;

FIG. 7 is a left-side view thereof;

FIG. 8 is a top view thereof; and,

FIG. 9 is a bottom view thereof.

1 Claim, 9 Drawing Sheets



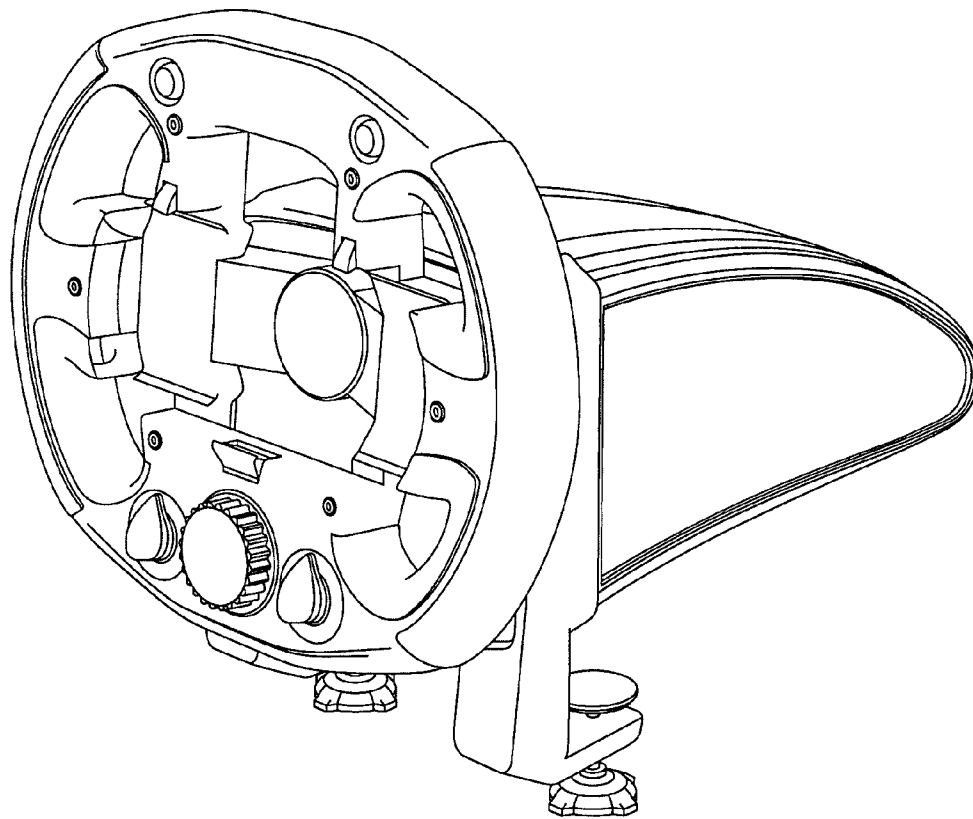


FIG. 1

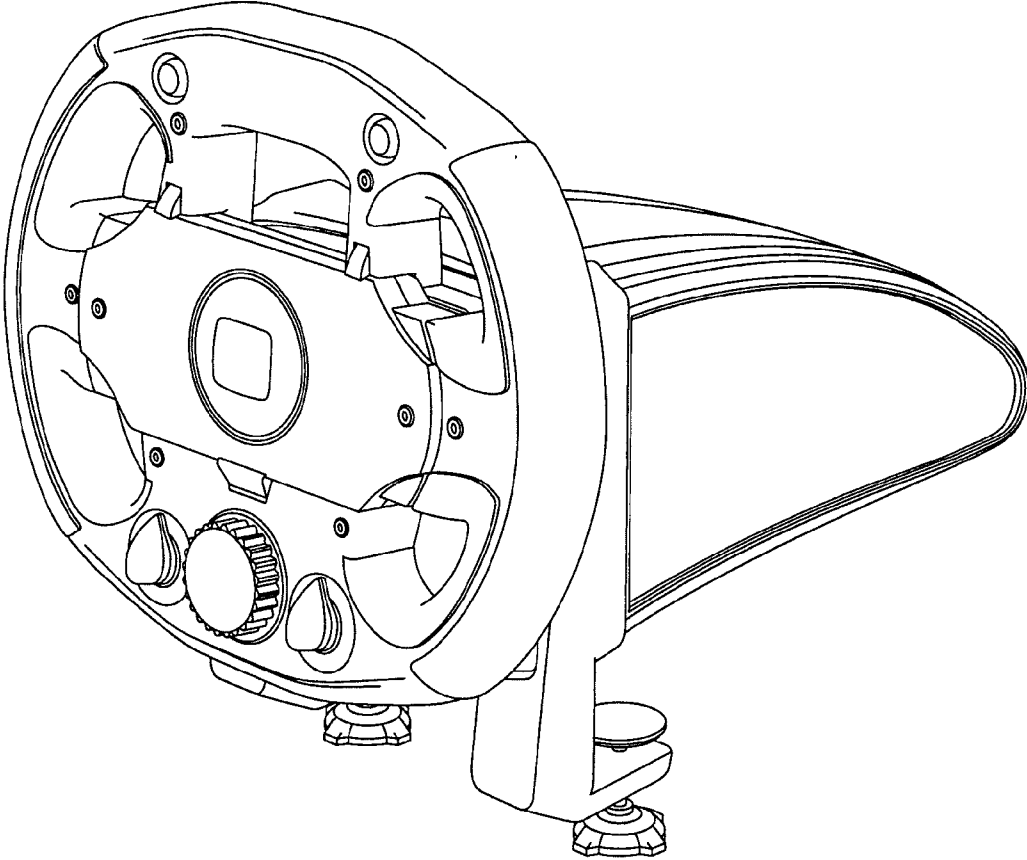


FIG. 2

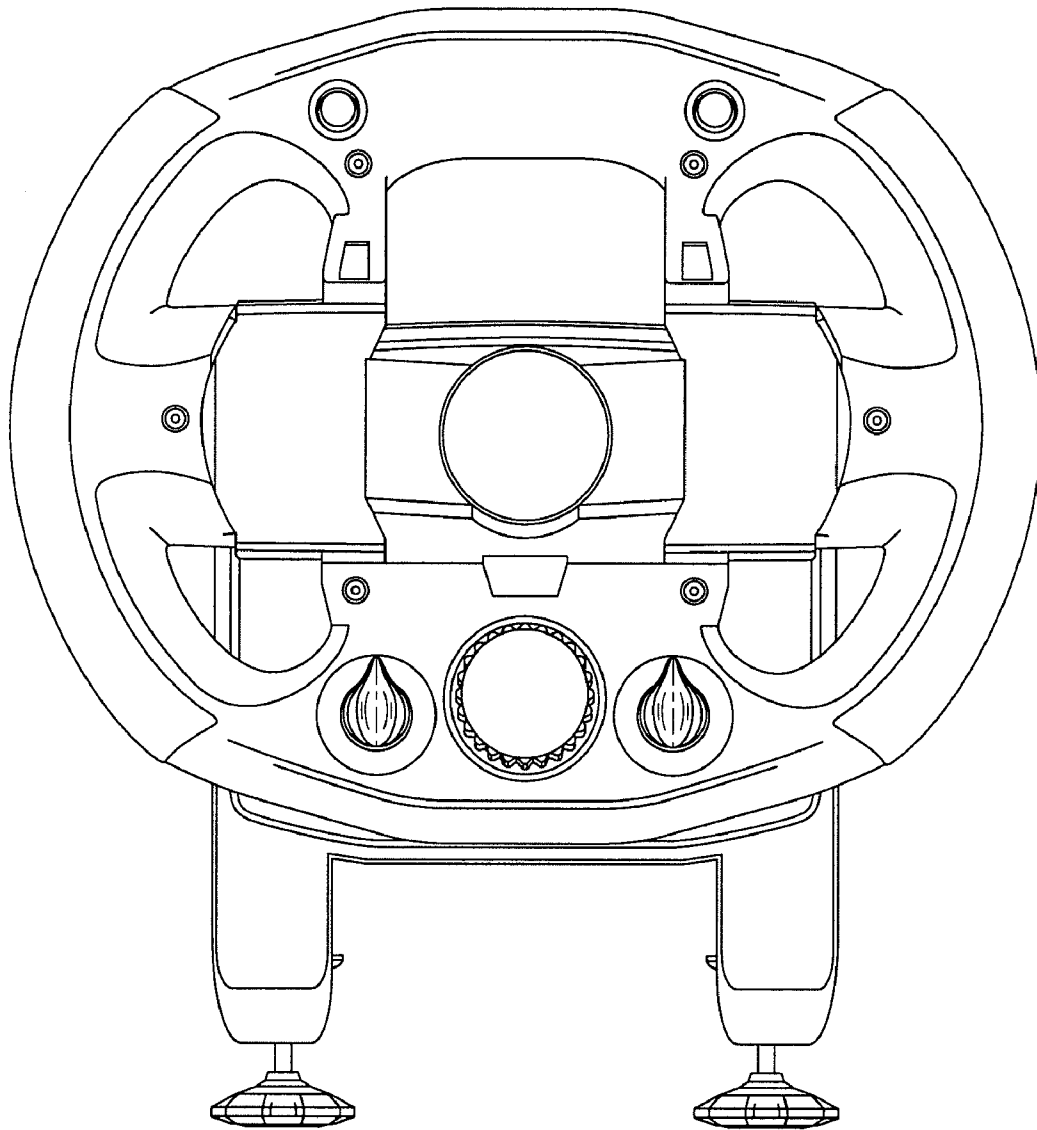


FIG. 3

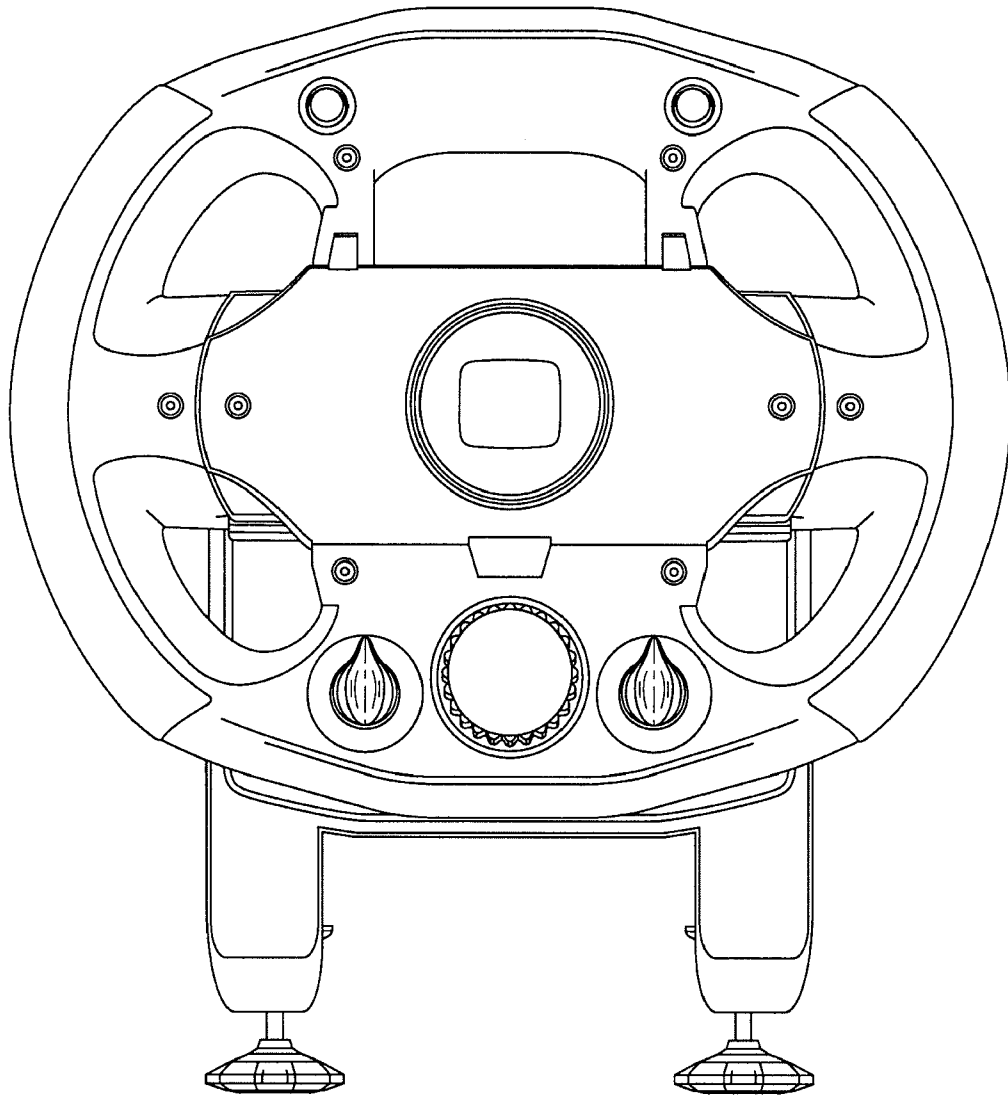


FIG. 4

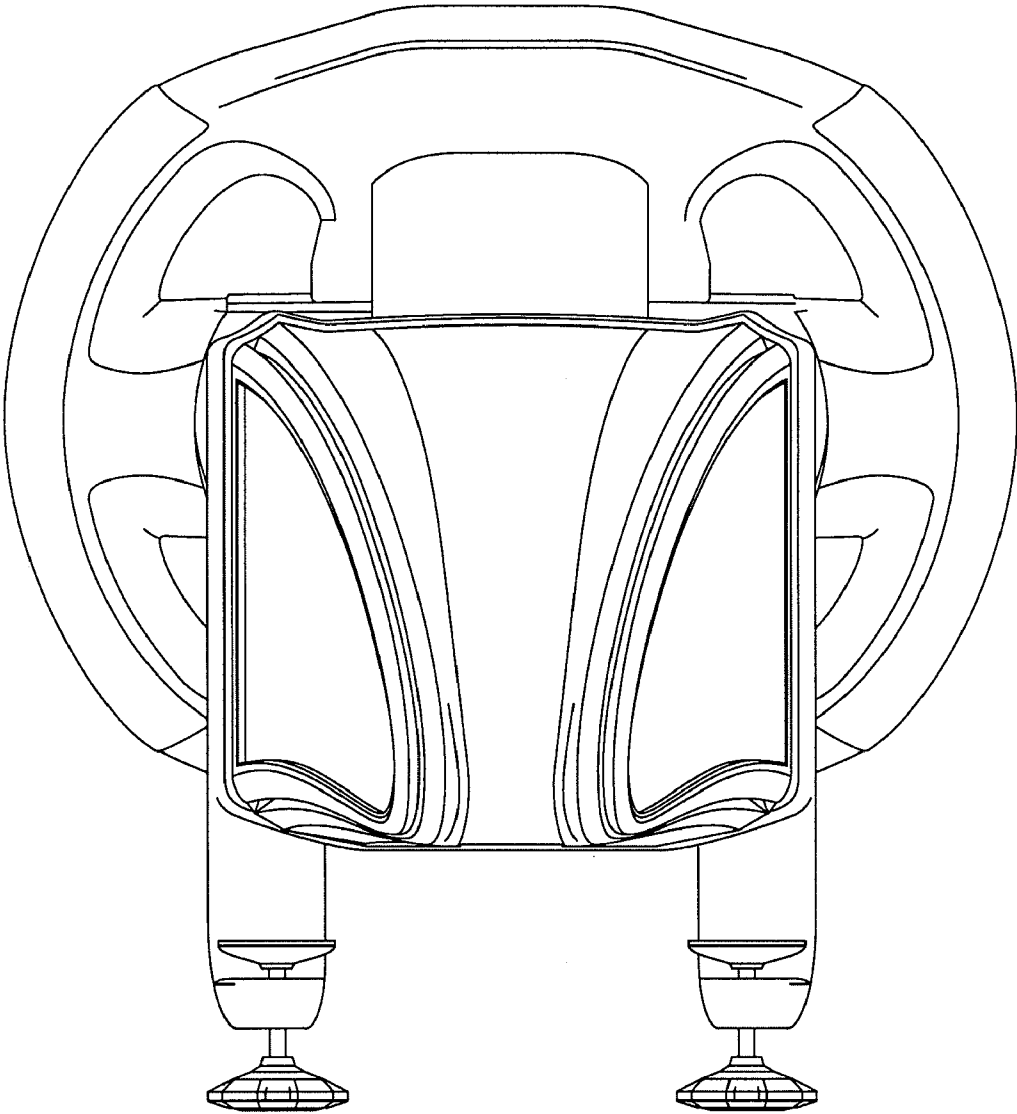


FIG. 5

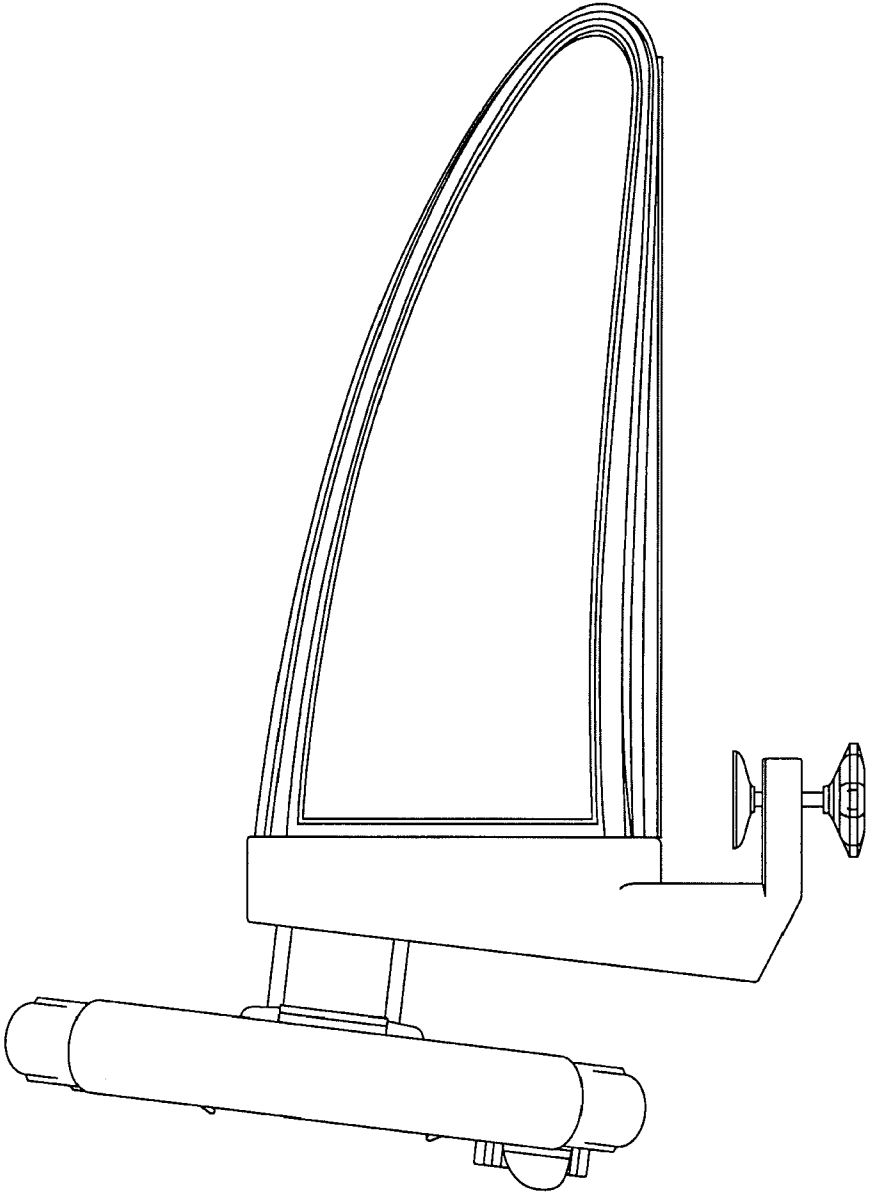


FIG. 6

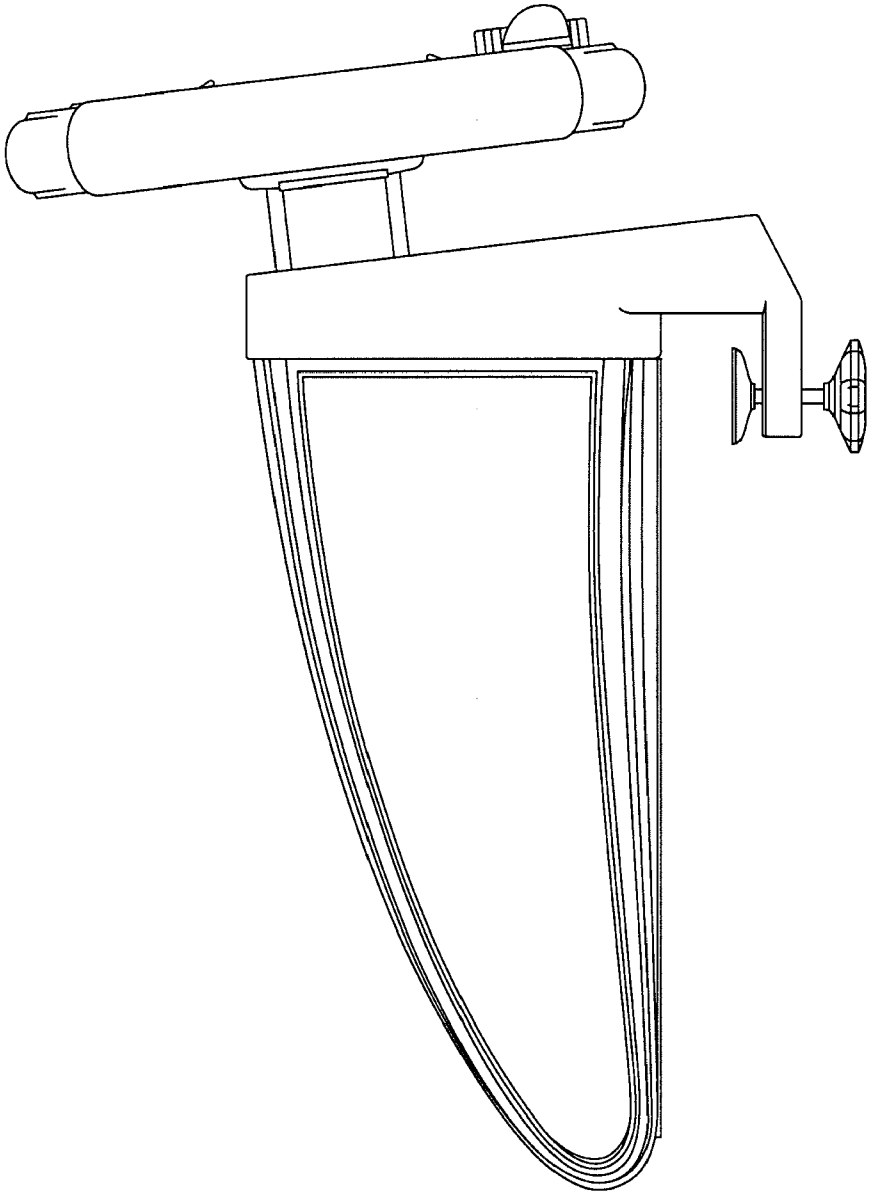


FIG. 7

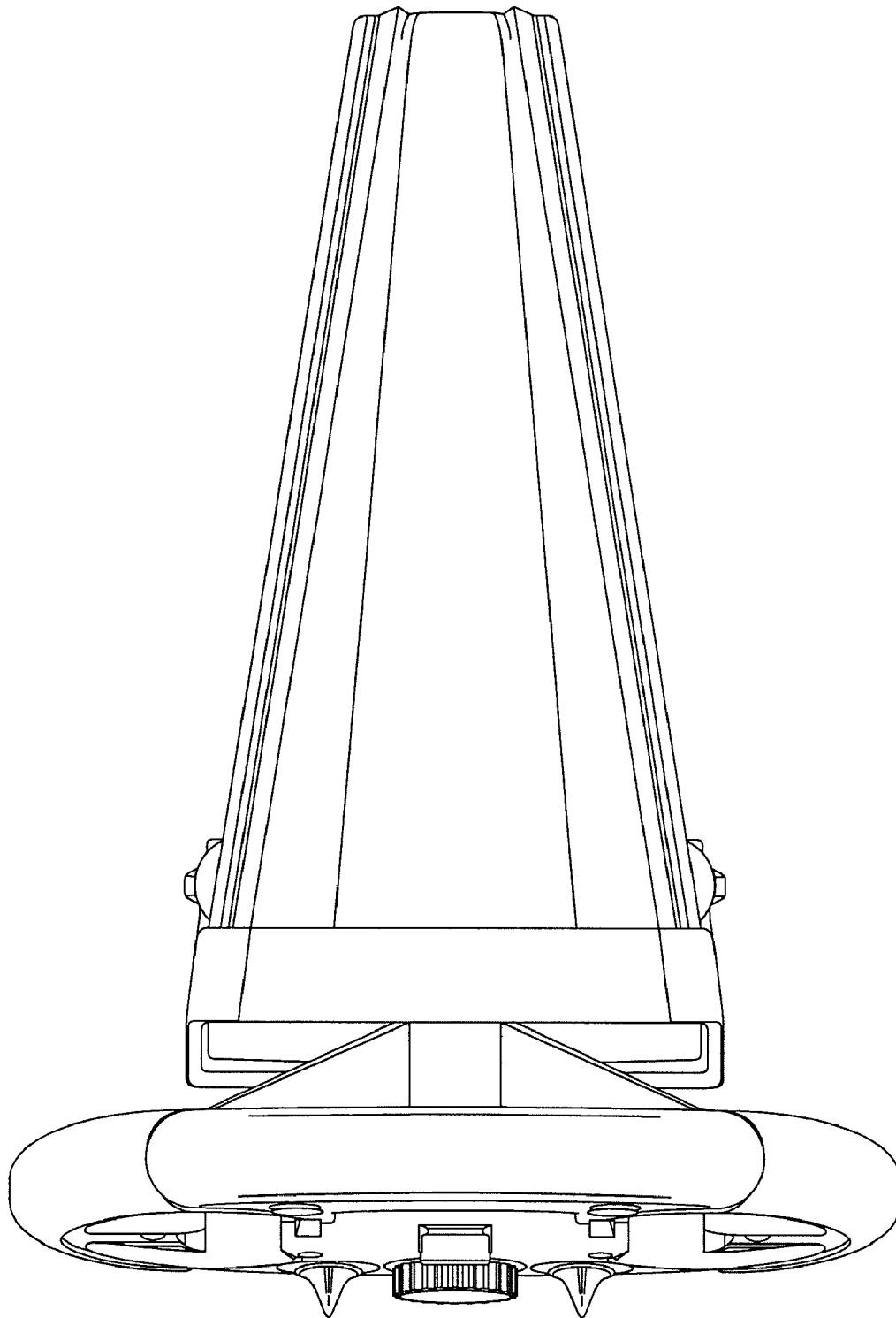


FIG. 8

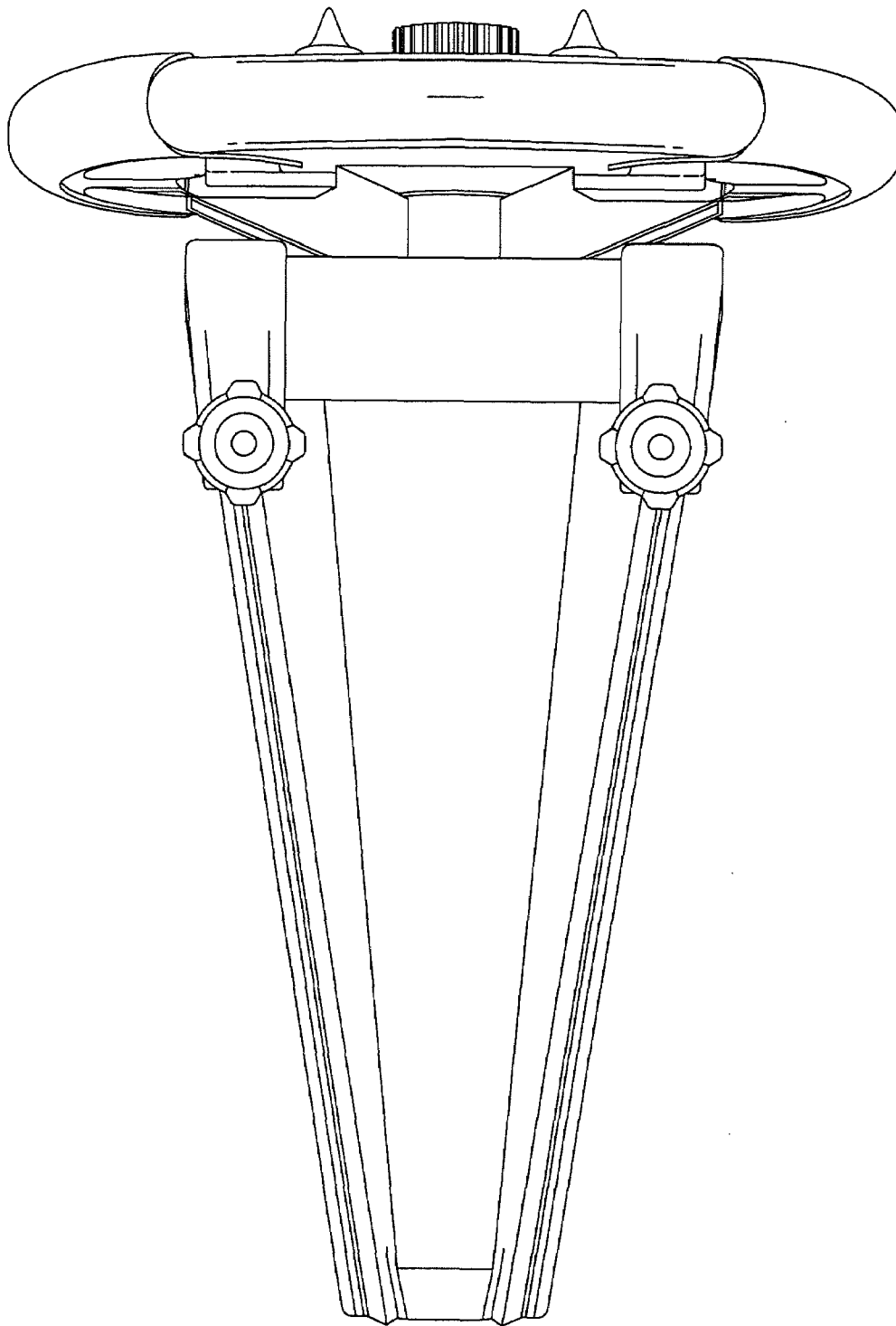


FIG. 9