



- (51) International Patent Classification:
H01R 12/71 (2011.01) *H01R 12/55* (2011.01)
- (21) International Application Number:
PCT/US2012/037458
- (22) International Filing Date:
11 May 2012 (11.05.2012)
- (25) Filing Language: English
- (26) Publication Language: English
- (30) Priority Data:
61/489,414 24 May 2011 (24.05.2011) US
13/462,362 2 May 2012 (02.05.2012) US
- (71) Applicant (for all designated States except BR, CA, HN, US): FCI [FR/FR]; 18 Parc Ariane III, 3/5, rue Alfred Kastler, F-78280 Guyancourt (FR).
- (71) Applicant (for BR, CA, HN, MX only): FCI AMERICAS TECHNOLOGY LLC [US/US]; 502 East John Street, Carson City, Nevada 89706 (US).

- (72) Inventors; and
- (75) Inventors/Applicants (for US only): STONER, Stuart [US/US]; 559 Fishing Creek Road, Lewisberry, Pennsylvania 17339 (US). RAISTRICK, Alan [US/US]; 1061 Grand Oak Way, Rockville, Maryland 20852 (US).
- (74) Agents: GEIBEL, Dean E. et al.; FCI USA LLC, 825 Old Trail Road, Eters, Pennsylvania 17319 (US).
- (81) Designated States (unless otherwise indicated, for every kind of national protection available): AE, AG, AL, AM, AO, AT, AU, AZ, BA, BB, BG, BH, BR, BW, BY, BZ, CA, CH, CL, CN, CO, CR, CU, CZ, DE, DK, DM, DO, DZ, EC, EE, EG, ES, FI, GB, GD, GE, GH, GM, GT, HN, HR, HU, ID, IL, IN, IS, JP, KE, KG, KM, KN, KP, KR, KZ, LA, LC, LK, LR, LS, LT, LU, LY, MA, MD, ME, MG, MK, MN, MW, MX, MY, MZ, NA, NG, NI, NO, NZ, OM, PE, PG, PH, PL, PT, QA, RO, RS, RU, RW, SC, SD, SE, SG, SK, SL, SM, ST, SV, SY, TH, TJ, TM, TN, TR, TT, TZ, UA, UG, US, UZ, VC, VN, ZA, ZM, ZW.
- (84) Designated States (unless otherwise indicated, for every kind of regional protection available): ARIPO (BW, GH,

[Continued on next page]

(54) Title: ELECTRICAL CONTACT NORMAL FORCE INCREASE

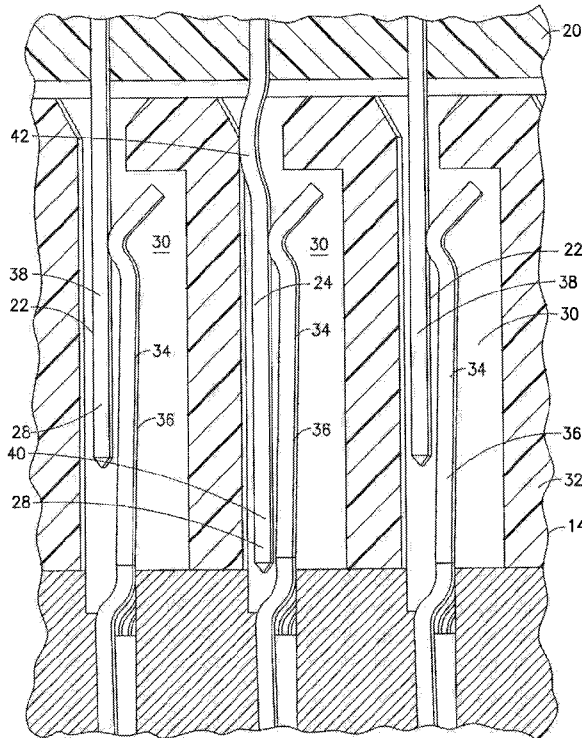
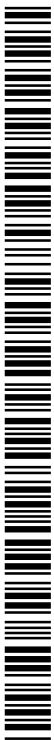


FIG.3

(57) Abstract: An electrical connector including a housing; and a plurality of first ground contacts. The first ground contacts each comprise a male contact blade configured to be inserted into a contact channel of a housing of a mating electrical connector. The male contact blade has a portion configured to contact the housing of the mating electrical connector, after the male contact blade makes electrical contact with the deflectable beam, to move the male contact blade in the contact channel, increase deflection of the deflectable beam by the male contact blade, and increase or maintain normal force between the mating contact and the ground contact generally.



GM, KE, LR, LS, MW, MZ, NA, RW, SD, SL, SZ, TZ, UG, ZM, ZW), Eurasian (AM, AZ, BY, KG, KZ, RU, TJ, TM), European (AL, AT, BE, BG, CH, CY, CZ, DE, DK, EE, ES, FI, FR, GB, GR, HR, HU, IE, IS, IT, LT, LU, LV, MC, MK, MT, NL, NO, PL, PT, RO, RS, SE, SI, SK, SM, TR), OAPI (BF, BJ, CF, CG, CI, CM, GA, GN, GQ, GW, ML, MR, NE, SN, TD, TG).

Published:

— *with international search report (Art. 21(3))*

(88) Date of publication of the international search report:

28 February 2013

A. CLASSIFICATION OF SUBJECT MATTER**H01R 12/71(2011.01)i, H01R 12/55(2011.01)i**

According to International Patent Classification (IPC) or to both national classification and IPC

B. FIELDS SEARCHED

Minimum documentation searched (classification system followed by classification symbols)

H01R 12/71; H01R 13/40; H01R 13/648; H01R 24/00; H01R 12/00

Documentation searched other than minimum documentation to the extent that such documents are included in the fields searched

Korean utility models and applications for utility models

Japanese utility models and applications for utility models

Electronic data base consulted during the international search (name of data base and, where practicable, search terms used)

eKOMPASS(KIPO internal) & Keywords: connector, contact, housing, normal force

C. DOCUMENTS CONSIDERED TO BE RELEVANT

Category*	Citation of document, with indication, where appropriate, of the relevant passages	Relevant to claim No.
A	US 2010-0055933 A1 (LAURX JOHN C. et al.) 04 March 2010 See abstract; paragraphs [0059]-[0077]; and figures 1-11.	1-21
A	US 2003-0219999 A1 (MINICH STEVEN E. et al.) 27 November 2003 See abstract; paragraphs [0036]-[0067]; and figures 1-11.	1-21
A	US 2004-0043672 A1 (SHUEY JOSEPH B. et al.) 04 March 2004 See abstract; paragraphs [0023]-[0037]; and figures 1-8,11.	1-21
A	WO 2009-012089 A2 (FCI AMERICAS TECHNOLOGY INC.) 22 January 2009 See abstract; paragraphs [0018]-[0031]; and figures 1-3.	1-21
A	US 7226298 B1 (MINICH STEVEN E. et al.) 05 June 2007 See abstract; column 3, line 25 - column 6, line 26; and figures 1-11.	1-21
A	US 2008-0176453 A1 (MINICH STEVEN E. et al.) 24 July 2008 See abstract; paragraphs [0029]-[0061]; and figures 1-16.	1-21

 Further documents are listed in the continuation of Box C. See patent family annex.

* Special categories of cited documents:

"A" document defining the general state of the art which is not considered to be of particular relevance

"E" earlier application or patent but published on or after the international filing date

"L" document which may throw doubts on priority claim(s) or which is cited to establish the publication date of citation or other special reason (as specified)

"O" document referring to an oral disclosure, use, exhibition or other means

"P" document published prior to the international filing date but later than the priority date claimed

"T" later document published after the international filing date or priority date and not in conflict with the application but cited to understand the principle or theory underlying the invention

"X" document of particular relevance; the claimed invention cannot be considered novel or cannot be considered to involve an inventive step when the document is taken alone

"Y" document of particular relevance; the claimed invention cannot be considered to involve an inventive step when the document is combined with one or more other such documents, such combination being obvious to a person skilled in the art

"&" document member of the same patent family

Date of the actual completion of the international search

23 NOVEMBER 2012 (23.11.2012)

Date of mailing of the international search report

28 NOVEMBER 2012 (28.11.2012)

Name and mailing address of the ISA/KR

Korean Intellectual Property Office
189 Cheongsu-ro, Seo-gu, Daejeon Metropolitan
City, 302-701, Republic of Korea

Facsimile No. 82-42-472-7140

Authorized officer

KIM, Sang Keol

Telephone No. 82-42-481-5742



INTERNATIONAL SEARCH REPORT

Information on patent family members

International application No.

PCT/US2012/037458

Patent document cited in search report	Publication date	Patent family member(s)	Publication date
US 2010-0055933 A1	04.03.2010	CN 201540983 U	04.08.2010
		US 7931474 B2	26.04.2011
US 2003-0219999 A1	27.11.2003	AU 2003-228982 A1	12.12.2003
		CN 100421306 C0	24.09.2008
		CN 101276981 A	01.10.2008
		CN 101276981 B	28.07.2010
		CN 101276981 C0	01.10.2008
		CN 101924285 A	22.12.2010
		CN 1656651 A	17.08.2005
		CN 1656651 C0	24.09.2008
		EP 1506597 A1	16.02.2005
		EP 1506597 A4	13.12.2006
		JP 2005-534142 A	10.11.2005
		JP 2005-534142 T	10.11.2005
		JP 2009-081143 A	16.04.2009
		JP 2009-081144 A	16.04.2009
		TW 588475 A	21.05.2004
		TW 588475 B	21.05.2004
		US 2005-0042901 A1	24.02.2005
		US 2006-0194472 A1	31.08.2006
		US 6814590 B2	09.11.2004
US 7065871 B2	27.06.2006		
US 7168963 B2	30.01.2007		
WO 03-100909 A1	04.12.2003		
US 2004-0043672 A1	04.03.2004	AU 2003-278752 A1	19.03.2004
		AU 2003-278752 A8	19.03.2004
		CN 100440629 C0	03.12.2008
		CN 1672298 A	21.09.2005
		CN 1672298 C0	03.12.2008
		EP 1535367 A2	01.06.2005
		EP 1535367 A4	28.03.2007
		JP 2005-537615 A	08.12.2005
		JP 2005-537615 T	08.12.2005
		US 2006-0073724 A1	06.04.2006
		US 7008250 B2	07.03.2006
		US 7182616 B2	27.02.2007
		WO 2004-021515 A2	11.03.2004
WO 2004-021515 A3	11.03.2004		
WO 2004-021515 A3	29.04.2004		
WO 2009-012089 A2	22.01.2009	CN 101689736 A	31.03.2010
		EP 2212974 A2	04.08.2010
		TW 200913404 A	16.03.2009
		US 2009-0017652 A1	15.01.2009
		US 2010-0273354 A1	28.10.2010
		US 7811100 B2	12.10.2010
		US 8137119 B2	20.03.2012

INTERNATIONAL SEARCH REPORT

Information on patent family members

International application No.

PCT/US2012/037458

Patent document cited in search report	Publication date	Patent family member(s)	Publication date
		WO 2009-012089 A3	19.03.2009
		WO 2009-012089 A3	22.01.2009
		WO 2009-012089 A8	04.03.2010
		WO 2009-012089 A8	22.01.2009
US 7226298 B1	05.06.2007	CN 101455128 A	10.06.2009
		CN 101455128 B	23.02.2011
		EP 2008503 A2	31.12.2008
		MX 2008012308 A	10.10.2008
		WO 2007-126534 A2	08.11.2007
		WO 2007-126534 A3	19.06.2008
		WO 2007-126534 A3	08.11.2007
		WO 2007-126534 A8	08.11.2007
		WO 2007-126534 A8	31.12.2008
US 2008-0176453 A1	24.07.2008	CN 101507053 A	12.08.2009
		CN 101611521 A	23.12.2009
		CN 101632200 A	20.01.2010
		EP 2122767 A1	25.11.2009
		EP 2122789 A1	25.11.2009
		EP 2122789 A4	20.07.2011
		TW 200836408 A	01.09.2008
		TW 200843252 A	01.11.2008
		TW 345340 B	11.07.2011
		US 2008-0045079 A1	21.02.2008
		US 2008-0146046 A1	19.06.2008
		US 2009-0124101 A1	14.05.2009
		US 2009-0159314 A1	25.06.2009
		US 2010-0291806 A1	18.11.2010
		US 7497736 B2	03.03.2009
		US 7500871 B2	10.03.2009
		US 7503804 B2	17.03.2009
		US 7762843 B2	27.07.2010
		US 7837505 B2	23.11.2010
		US 8096832 B2	17.01.2012
		WO 2008-024275 A2	28.02.2008
		WO 2008-024275 A3	28.02.2008
		WO 2008-082548 A1	10.07.2008
		WO 2008-082548 A8	10.07.2008
		WO 2008-082548 A8	08.10.2009
		WO 2008-088462 A1	24.07.2008
		WO 2008-088462 A8	24.07.2008