



INTERNATIONAL APPLICATION PUBLISHED UNDER THE PATENT COOPERATION TREATY (PCT)

<p>(51) International Patent Classification ⁷ : H04Q 7/38, 7/24</p>	<p>A1</p>	<p>(11) International Publication Number: WO 00/45613 (43) International Publication Date: 3 August 2000 (03.08.00)</p>
-------------------------------------------------------------------------------------------	------------------	------------------------------------------------------------------------------------------------------------------------------------

<p>(21) International Application Number: PCT/EP00/00104 (22) International Filing Date: 10 January 2000 (10.01.00) (30) Priority Data: 99101948.0 31 January 1999 (31.01.99) EP (71) Applicant: TELEFONAKTIEBOLAGET LM ERICSSON (publ) [SE/SE]; S-126 25 Stockholm (SE). (72) Inventors: SHARP, Andrew; Tonfiskvagen 2, S-181 30 Lidingö (SE). STÜMPERT, Martin; Hundsbrunnertalstr. 22, D-67691 Hochspeyer (DE). (74) Agent: MOHSLER, Gabriele; Ericsson Eurolab Deutschland GmbH, Ericsson Allee 1, D-52134 Herzogenrath (DE).</p>	<p>(81) Designated States: AE, AL, AM, AT, AU, AZ, BA, BB, BG, BR, BY, CA, CH, CN, CR, CU, CZ, DE, DK, DM, EE, ES, FI, GB, GD, GE, GH, GM, HR, HU, ID, IL, IN, IS, JP, KE, KG, KP, KR, KZ, LC, LK, LR, LS, LT, LU, LV, MA, MD, MG, MK, MN, MW, MX, NO, NZ, PL, PT, RO, RU, SD, SE, SG, SI, SK, SL, TJ, TM, TR, TT, TZ, UA, UG, UZ, VN, YU, ZA, ZW, ARIPO patent (GH, GM, KE, LS, MW, SD, SL, SZ, TZ, UG, ZW), Eurasian patent (AM, AZ, BY, KG, KZ, MD, RU, TJ, TM), European patent (AT, BE, CH, CY, DE, DK, ES, FI, FR, GB, GR, IE, IT, LU, MC, NL, PT, SE), OAPI patent (BF, BJ, CF, CG, CI, CM, GA, GN, GW, ML, MR, NE, SN, TD, TG).</p> <p>Published <i>With international search report. Before the expiration of the time limit for amending the claims and to be republished in the event of the receipt of amendments.</i></p>
---------------------------------------------------------------------------------------------------------------------------------------------------------------------------------------------------------------------------------------------------------------------------------------------------------------------------------------------------------------------------------------------------------------------------------------------------------------------------------------------------------------------------------------------------------------	-------------------------------------------------------------------------------------------------------------------------------------------------------------------------------------------------------------------------------------------------------------------------------------------------------------------------------------------------------------------------------------------------------------------------------------------------------------------------------------------------------------------------------------------------------------------------------------------------------------------------------------------------------------------------------------------------------------------------------------------------------------------------------------------------------------------------------------------------------

(54) Title: COMMUNICATION SYSTEM, METHODS OF MANAGING A COMMUNICATION SYSTEM AND MOBILE USER EQUIPMENT

(57) Abstract

The invention relates to a communication system with at least two different access systems, wherein a first access system is capable of handling a first number of communications between a mobile user equipment (MUE) and the first access system and wherein a second access system is capable of handling a second number of communications between the mobile user equipment (MUE) and the second access system. According to the invention the communication system contains at least one means for making at least one decision, which communication or communications are handed over in the case that the mobile user equipment (MUE) moves between the first access system and the second access system and at least one means for executing the at least one decision. The invention further relates to a method for managing a communication system.

```

sequenceDiagram
    participant MUE as MUE
    participant AN as AN
    participant CN as CN
    participant BSC as BSC
    participant MUE2 as MUE

    MUE->>AN: 1. UMTS: SU
    AN->>CN: 2. UMTS: MCT
    AN->>CN: 3. UMTS: MRT
    AN->>CN: 4. UMTS: HRQ
    AN->>CN: 7. UMTS: HCM
    AN->>CN: 8. UMTS: HCM
    AN->>CN: 13. UMTS: DC
    AN->>CN: 14. UMTS: RCM
    AN->>CN: 15. UMTS: RCP
    AN->>CN: 16. UMTS: CCM
    AN->>CN: 17. UMTS: CCP

    CN->>BSC: 5. GSM: HRE
    CN->>BSC: 6. GSM: HREA
    CN->>BSC: 10. GSM: HDT
    CN->>BSC: 12. GSM: HCP

    BSC->>MUE2: 9. GSM: HAC
    BSC->>MUE2: 11. GSM: HCP

    Note over AN, CN: DPH, LE, EE
    
```

FOR THE PURPOSES OF INFORMATION ONLY

Codes used to identify States party to the PCT on the front pages of pamphlets publishing international applications under the PCT.

AL	Albania	ES	Spain	LS	Lesotho	SI	Slovenia
AM	Armenia	FI	Finland	LT	Lithuania	SK	Slovakia
AT	Austria	FR	France	LU	Luxembourg	SN	Senegal
AU	Australia	GA	Gabon	LV	Latvia	SZ	Swaziland
AZ	Azerbaijan	GB	United Kingdom	MC	Monaco	TD	Chad
BA	Bosnia and Herzegovina	GE	Georgia	MD	Republic of Moldova	TG	Togo
BB	Barbados	GH	Ghana	MG	Madagascar	TJ	Tajikistan
BE	Belgium	GN	Guinea	MK	The former Yugoslav Republic of Macedonia	TM	Turkmenistan
BF	Burkina Faso	GR	Greece	ML	Mali	TR	Turkey
BG	Bulgaria	HU	Hungary	MN	Mongolia	TT	Trinidad and Tobago
BJ	Benin	IE	Ireland	MR	Mauritania	UA	Ukraine
BR	Brazil	IL	Israel	MW	Malawi	UG	Uganda
BY	Belarus	IS	Iceland	MX	Mexico	US	United States of America
CA	Canada	IT	Italy	NE	Niger	UZ	Uzbekistan
CF	Central African Republic	JP	Japan	NL	Netherlands	VN	Viet Nam
CG	Congo	KE	Kenya	NO	Norway	YU	Yugoslavia
CH	Switzerland	KG	Kyrgyzstan	NZ	New Zealand	ZW	Zimbabwe
CI	Côte d'Ivoire	KP	Democratic People's Republic of Korea	PL	Poland		
CM	Cameroon	KR	Republic of Korea	PT	Portugal		
CN	China	KZ	Kazakstan	RO	Romania		
CU	Cuba	LC	Saint Lucia	RU	Russian Federation		
CZ	Czech Republic	LI	Liechtenstein	SD	Sudan		
DE	Germany	LK	Sri Lanka	SE	Sweden		
DK	Denmark	LR	Liberia	SG	Singapore		
EE	Estonia						

**Communication System, Methods of Managing a Communication
System and mobile user equipment**

5

Description

Field of the Invention:

10 The present invention relates to a communication system with
at least two different access systems, wherein a first access
system is capable of handling a first number of communications
between a mobile user equipment and the first access system,
and wherein a second access system is capable of handling a
15 second number of communications between the mobile user
equipment and the second access system.

The invention further relates to methods for managing a
communication system with at least two different access
20 systems, wherein a first access system is capable of handling
a first number of communications between a mobile user
equipment and the first access system, and wherein a second
access system is capable of handling a second number of
communications between the mobile user equipment and the
25 second access system.

The invention further relates to a mobile user equipment
capable of communicating in a communication system with at
least two different access systems, wherein a first access
30 system is capable of handling a first number of communications
between a mobile user equipment and the first access system,
and wherein a second access system is capable of handling a
second number of communications between the mobile user

equipment and the second access system.

5 Communication systems such as cellular and/or satellite based telephone systems have developed significantly in operations world-wide.

10 An important example of a communication system with a first access system and a second access system is an implementation of so-called „islands“ of a new access system within an already existing access system. However, the invention is not limited to implementations of a new access system within an already existing access system, but applies to any communication system with at least two different access
15 systems. The invention also refers to a communication system that is equipped differently within different service areas, for example giving users within cities a higher service quality than in rural regions.

20 Future communication systems will allow mobile user equipments to perform a greater number of communications simultaneously. Examples of the communication include telephone calls, faxes, downloading of data or uploading of data (file transfer). However, the invention is not limited to these examples.

25 According to the invention, communication is not limited to any special form of transfer, neither to information transfer with establishing a connection nor to connectionless information transfer. According to the invention, communication includes connections as well as connectionless
30 transfer of information such as Short Messaging Service (SMS). Future wireless scenarios for wideband wireless multimedia services can comprise: interactive news delivery (voice, video, E-mail, graphics), interactive e-mail (text, graphics,

video clips), interactive audio (CD-quality voice, video, graphics), video conferencing, web browsing, dynamic Internet-based games, downloading large files from intranets or position/location-dependent "push" info.

5

An object of the invention is to create a communication system with a first access system and a second access system, wherein at least one of the access systems allows the mobile user equipment to perform more than one communication, wherein a
10 intersystem handover of communication between the first access system and the second access system is possible.

A shortcoming of the known system is that an intersystem handover between the first access system and the second access
15 system is not possible.

This problem is solved advantageously by the system of claim 1, the method of claim 15, the mobile user equipment of claim 38 and the method of claim 39.

20

A further object of the invention is a method for managing a communication system with at least two different access systems, wherein a first access system is capable of handling a first number of communications between a mobile user
25 equipment and the first access system and wherein a second access system is capable of handling a second number of communications between the mobile user equipment and the second access system. The method is carried out in a way that it is evaluated if a intersystem handover from the first
30 access system to the second access system should be effected and if the intersystem handover is necessary maximally the second number of communications are handed over.

A further object of the invention is a method for managing a communication system with at least two different access systems, wherein a first access system is capable of handling a first number of communications between a mobile user equipment and the first access system and wherein a second access system is capable of handling a second number of communications between the mobile user equipment and the second access system. The method is carried out in a way that at least one of the communications is put on hold before the intersystem handover and kept on hold after the intersystem handover.

A further object of the invention is to provide a mobile user equipment, capable of communicating in a communication system with at least two different access systems. According to the invention, the mobile user equipment contains an indicator to indicate an intersystem handover to a mobile user.

Further advantageous embodiments and implementations are achieved according to the claims 2 to 14 and 16 to 37.

The invention makes use of the idea to distinguish between different communications and/or different types of communication. Thus the invention allows the communication system and/or the mobile user equipment to handover different communications and/or different types of communication in a different manner.

According to the invention, the problem is solved by a communication system with at least two different access systems, wherein a first access system is capable of handling a first number of communications between a mobile user equipment and the first access system and wherein a second

access system is capable of handling a second number of communications between the mobile user equipment and the second access system. This is characterised in that the mobile user equipment and/or the communication system contains at least one means for making at least one decision which is capable of deciding which communications are handed over in the case that the mobile user equipment moves between the first access system and the second access system and in that the mobile user equipment and/or the communication system contain at least one means for executing the at least one decision.

The communication system allows mobile user equipments to communicate. A communication system consists at least of at least one access system. An access system consists of at least one access network and at least one core network. An access network consists at least of entities that manage the resources of the access network and provide the user with at least one mechanism to access the core network.

A core network consists at least of entities that provide support for the network features and telecommunication services. The support provided may include for example functionality such as the management of user location information, the control of network features and services, the transfer mechanisms for signalling and for user generated information.

An intersystem handover is a handover between a first and a second access system, or a handover within a first access system, in both cases between means with different capabilities.

As the invention is not limited to communication systems with

UMTS and/or GSM as access systems, neither the access network nor the core network are limited to elements of UMTS implementations or GSM implementations. Each of the access systems may comprise at least one access network and at least one core network. As the invention relates to access systems with different capabilities of handling simultaneous communications, no special structure of the networks is required. Therefore the access network may be any installation, which is capable of giving mobile user equipments a capability of transferring information. The core network could be any installation, which is capable of transferring information to and/or from other communication systems, for example, a fixed network such as an Integrated Service Digital Network (ISDN), a Public Switched Telephone Network (PSTN) or a further mobile network.

As the invention relates to a large variety of communication systems, the nature and occasion of the means for making at least one decision which communication or communications are handed over in the case that the mobile user equipment would move between the first access system and the second access system, may vary too.

The means for making at least one decision may decide on the number and/or the identity of a communication or communications to be handed over. This includes also the case that no communication is handed over, for example when a mobile user decides not to continue a route in order to avoid a intersystem handover.

30

The mobile user equipment is capable of handing over at least one communication from the first access system to the second access system. Each of the access systems is capable of

handling a certain number of communications for each of the mobile user equipments. A limitation of the number of communications originates for example in technical constraints as found in the conventional GSM system, which is capable of handling only one communication for the mobile user equipment. However, even systems which would principally allow a higher number of simultaneous communications for each of the mobile user equipments could be limited permanently or temporarily to a certain number of communications for each of the mobile user equipments.

Whereas an intersystem handover between an access system, that allows a lower number of simultaneous communications to an access system, which allows a higher number of simultaneous communications does not evoke problems, the intersystem handover in opposite directions is difficult.

The invention allows a management of different communications of a mobile user equipment which passes from a first access system with at least two, preferably more simultaneous communications to another access system allowing a lower number of simultaneous communications for each of the mobile user equipments.

The first access system comprises for example a Universal Mobile Telecommunication System (UMTS) and the second access system is a Global System for Mobile Telecommunication (GSM), or an Universal Mobile Telecommunication System (UMTS) which allows a lower number of simultaneous communications than the first access system.

The mobile user equipment is, for example, a mobile computer capable of communicating, a mobile telephone or a mobile

multimedia system.

In an advantageous implementation of the communication system,
the methods, and the mobile user equipment, the communication
5 system contains at least one means for determining a
capability of at least one of the access systems.

In a preferred embodiment of the communication system, the
methods, and the mobile user equipment, the means for
10 determining the capability is located in a core network.

In an advantageous implementation of the communication system,
the methods, and the mobile user equipment, at least one
access network of the communication system contains the means
15 for executing the at least one decision.

In a preferred embodiment of the communication system, the
methods, and the mobile user equipment, a core network
contains the means for executing the at least one decision.
20

In a further advantageous implementation of the communication
system, the methods, and the mobile user equipment, the mobile
user equipment contains the means for executing the at least
one decision.
25

In a preferred embodiment of the communication system, the
methods, and the mobile user equipment, at least one access
network of the communication system contains the means for
making at least one decision.
30

In a further advantageous implementation of the communication
system, the methods, and the mobile user equipment, a core
network contains the means for making at least one decision.

In a preferred embodiment of the communication system, the methods, and the mobile user equipment, the mobile user equipment contains the means for making at least one decision.

5

In a preferred embodiment of the communication system, the methods, and the mobile user equipment, the communication system contains a means for making at least one decision whether an intersystem handover is necessary.

10

In an advantageous implementation of the communication system, the methods, and the mobile user equipment, the means for making at least one decision whether an intersystem handover is necessary is a device (DPH).

15

In a further advantageous implementation of the communication system, the methods, and the mobile user equipment, the device (DPH) is located in an access network (AN).

20 In an advantageous implementation of the communication system, the methods, and the mobile user equipment, the device is located in a radio network controller.

In a further advantageous implementation of the communication system, the methods, and the mobile user equipment, the device is located in a core network (CN).

25 In an advantageous implementation of the communication system, the methods, and the mobile user equipment, a Base Station Controller (BSC) and one or more Base Transceiver Stations (BTS) constitute an access network of the communication system. Within an implementation of a Global System for Mobile Communication (GSM) every mobile user equipment is linked to

30

one Base Transceiver Station (BTS). In other access systems like implementations of a Universal Mobile Telecommunication System (UMTS) each of the mobile user equipments may be in a contact with more than one Base Transceiver Station (BTS).

5

In a preferred embodiment of the communication system, the methods, and the mobile user equipment, it is evaluated if an intersystem handover from the first access system to the second access system should be effected, wherein in the case
10 that the intersystem handover is necessary at least one communication can be handed over.

In an advantageous implementation of the communication system, the methods, and the mobile user equipment, an access network
15 sends an intersystem handover query to the mobile user equipment.

In a preferred embodiment of the communication system, the methods, and the mobile user equipment, the access network
20 signals a core network before the access network sends the intersystem handover query to the mobile user equipment.

In a further advantageous implementation of the communication system, the methods, and the mobile user equipment, the core
25 network adds information about a communication or communications that can be supported.

This information is based on a capability of at least one of the access systems, especially the capability of the access
30 system to which the communication or communications are handed over.

In an advantageous implementation of the communication system,

the methods, and the mobile user equipment, a mobile user decides about the communication or the communications which should be handed over to the second access system.

5 This decision can be taken at any suitable time, for example, in a setup message of the communication or after a signal that an intersystem handover is necessary.

10 In a preferred embodiment of the communication system, the methods, and the mobile user equipment, the mobile user equipment informs the access network about the communication or the communications which should be handed over to the second access system.

15 In an advantageous implementation of the communication system, the methods, and the mobile user equipment, the mobile user equipment informs the access network about the communication or the communications which should be handed over to the second access system at a communication setup.

20

In a preferred embodiment of the communication system, the methods, and the mobile user equipment, the mobile user equipment receives an intersystem handover query for intersystem handover towards the second access system and
25 afterwards the mobile user equipment disconnects all connections, that cannot be kept in the second access system.

In a further advantageous implementation of the communication system, the methods, and the mobile user equipment, the core
30 network decides which communication or communications should be handed over to the second access system.

The decision which communication or communications should be

handed over to the second access system includes the case that no communication is handed over. An intersystem handover can be rejected by the access system, the mobile user equipment or the mobile user. The mobile user, for example, may decide to
5 remain within a service area which is covered by the first access system.

In an advantageous implementation of the communication system, the methods, and the mobile user equipment, the mobile user
10 equipment contains an information interface, for example an indicator either visual, audio and/or tactile example given a blinking light, to inform the mobile user about a potential intersystem handover. Therefore the mobile user can avoid an intersystem handover by stopping a movement out of the service
15 area which is covered by the first access system.

In a preferred embodiment of the communication system, the methods, and the mobile user equipment,
the core network disconnects all calls which cannot be kept in
20 the second access system.

In an advantageous implementation of the communication system, the methods, and the mobile user equipment, at least one decision about a communication or communications which are
25 handed over in the case that the mobile user equipment (MUE) would move between the first access system and the second access system depends on at least one presetting.

In a preferred embodiment of the communication system, the
30 methods, and the mobile user equipment, the presettings are located within a mobile user equipment.

In an advantageous implementation of the communication system,

the methods, and the mobile user equipment, the presettings are transferred to the core network within an initial user equipment (IUE) message and/or in a setup message.

- 5 An initial user equipment (IUE) message is a message sent, before and independent of a setup message, containing at least information about presettings for an intersystem handover.

10 In a further advantageous implementation of the communication system, the methods, and the mobile user equipment, a message which depends on the presettings is sent to the core network after the core network has sent a request to the mobile user equipment.

- 15 In a preferred embodiment of the communication system, the methods, and the mobile user equipment, the message depends only on the presettings.

20 In an advantageous implementation of the communication system, the methods, and the mobile user equipment, the message depends also on an active decision of a mobile user.

25 In a further advantageous implementation of the communication system, the methods, and the mobile user equipment, the presettings are stored within an access network and/or an core network.

30 In a preferred embodiment of the communication system, the methods, and the mobile user equipment, the presettings can be different for different mobile users.

In an advantageous implementation of the communication system, the methods, and the mobile user equipment, the presettings

are identical for all users.

In a preferred embodiment of the communication system, the methods, and the mobile user equipment, the presettings can be
5 different for different categories of communications. Examples for different categories of communications are speech or data calls.

In an advantageous implementation of the communication system,
10 the methods, and the mobile user equipment, the presettings can be different for different priorities.

An example for a priority call is emergency calls.

15 In a preferred embodiment of the communication system, the methods, and the mobile user equipment, the presettings are defined and/or modified by an operator.

In an advantageous implementation of the communication system,
20 the methods, and the mobile user equipment, the presettings are defined and/or modified by a mobile user.

In a further advantageous implementation of the communication system, the methods, and the mobile user equipment, at least
25 one of the communications is put on hold before the intersystem handover and kept on hold after the intersystem handover.

The invention also solves the problem to hand over multi-party
30 calls. If one or more communication is put on hold, it is possible to reactivate the communication at a later time. However, the method of putting at least one communication on hold before the intersystem handover, to keep it on hold after

the intersystem handover and to reactivate the communication at a later moment also applies to other communications as data communications. For example, if a mobile user equipment with an activated speech call and an activated down load of a file
5 moves towards an access system which allows only one simultaneous communication, the data communication is put on hold and reactivated later, especially after the mobile user equipment has finished the speech call or has once again moved towards a third access system which allows more than one
10 simultaneous communication.

In a preferred embodiment of the communication system, the methods, and the mobile user equipment, the mobile user equipment (MUE) puts the communication on hold.

15

In a further advantageous implementation of the communication system, the methods, and the mobile user equipment, the core network (CN) puts the communication on hold.

20 In a preferred embodiment of the communication system, the methods, and the mobile user equipment, a mobile user is informed before the intersystem handover. This allows a decision of the mobile user about a communication or communications he would like to maintain.

25

In the following the invention will be further described by means of examples and by means of the figures.

30 Fig. 1 shows sequences for a first implementation of an intersystem handover procedure according to the invention.

Fig. 2 shows sequences for a second implementation of an

intersystem handover procedure according to the invention.

- 5 Fig. 3 shows sequences for a third implementation of an intersystem handover procedure according to the invention.
- 10 Fig. 4 shows sequences for a fourth implementation of an intersystem handover procedure according to the invention.
- 15 Fig. 5 shows sequences for a fifth implementation of an intersystem handover procedure according to the invention.
- Fig. 6 shows sequences for a sixth implementation of an intersystem handover procedure according to the invention.
- 20 Fig. 7 shows sequences for a seventh implementation of an intersystem handover procedure according to the invention.
- 25 Fig. 8 shows sequences for an eighth implementation of an intersystem handover procedure according to the invention.
- 30 Fig. 9 shows sequences for a ninth implementation of an intersystem handover procedure according to the invention.

Fig. 10 shows sequences for a tenth implementation of an intersystem handover procedure according to the invention.

5

Fig. 11 shows sequences for an eleventh implementation of an intersystem handover procedure according to the invention.

10 According to figures 1, 2, 3, 4, 5, 6, 7, 8, 9, 10 and 11 the present invention is described in conjunction with an intersystem handover from a Universal Mobile Telecommunication System (UMTS) as a first access system and a Global System for a Mobile Communication System (GSM). However, the examples are
15 not limited to an intersystem handover from a Universal Mobile Telecommunication System (UMTS) to a Global System for Mobile Communication (GSM) but include all types of handover between an access system with a high number of simultaneous
communications to an access system with a lower number of
20 simultaneous communications. The different number of simultaneous communications could have technical or non-technical reasons, for example different operators of the access systems. For simplicity the second core network belonging to the second access system is omitted from the
25 figures.

Means for making at least one decision which are capable of deciding which communication or communications are handed over in the case that a mobile user equipment MUE would move
30 between the first access system and the second access system are afterwards described by an logical element LE. Means for executing the at least one decision are afterwards described by examples of execution elements EE. The elements may be

realised physically or virtually.

The sequences according to the figures 1, 2, 3, 4, 5, 6, 7, 8, 9, 10 or 11 are only a part of signal transfer processes.

5

To achieve an efficient intersystem handover from UMTS to GSM different solutions to decide whether the intersystem handover is necessary may be implemented. Each of them could be combined with each of the sequences according to the figures
10 1, 2, 3, 4, 5, 6, 7, 8, 9, 10 or 11.

It is preferred, that at least one message includes a measurement control MCT. A measurement control MCT is carried out most advantageously in one of the following manners: An
15 access network AN commands a mobile user equipment MUE to perform measurements. The type of measurements may be adapted to physical parameters of the access systems. Examples of the measurements are:

20 Radio link measurements. In this case measurements are performed on down link radio links in an active set.

Intra-frequency measurements. In this case measurements on down link physical channels that do not belong to the active
25 set but have the same frequency as the active set are performed.

Inter-frequency measurements. In this case measurements on down link physical channels with frequencies that differ from
30 the frequency of the active set are performed.

Inter-system measurements. In this case measurements on down link physical channels belonging to another radio access

system than the access network AN are performed.

Traffic volume measurements. In this case measurements on up link traffic volume are performed.

5

Afterwards the mobile user equipment MUE gives a measurement report to the access network AN.

10 Fig. 1 shows a first advantageous implementation of the invention.

The communication is set up between a mobile user equipment MUE and a first access system of a communication system, .

15 Actual propositions for standards include at least one setup message for each communication. If a first number n of communications is established, n setup messages SU are transmitted. However, to facilitate the understanding of the figure, the setup messages SU are represented by one arrow.
20 Effectively, the setup message SU is repeated n times.

Permanently or after certain time intervals the number of active radio links between a mobile user equipment and an access network is checked. If this number is low, especially
25 if only one link is found, measurements are performed.

Preferably, it is evaluated how many base stations of the first access system the mobile user equipment has contact. If the number is low, especially if the mobile user equipment is
30 connected to only one base station of the first access system, an access network AN of the first access system, especially a Universal Mobile Telecommunication System UMTS, decides, whether an intersystem handover should be effected. By this a

decision that a handover is needed is carried out earlier.

The type of measurements is adapted to physical parameters of the access systems. Examples of the measurements are: radio
5 link measurements, intra-frequency measurements, inter-frequency measurements, or traffic volume measurements.

A measurement report MRT is sent from the mobile user equipment MUE to the access network AN.

10

The access network AN contains a device DPH, capable of deciding, whether an intersystem handover is necessary and a logical element LE for deciding which communication or communications are to be handed over.

15

If the device DPH decides, that an intersystem handover is necessary, the procedure continues as described below.

The access network AN informs a core network CN that a
20 intersystem handover is required by at least one handover request signal HRQ.

The core network CN contains an execution element EE for executing the intersystem handover.

25

The core network CN sends a message HRE to a base station controller BSC of the second access system, especially a Global System for Mobile Communication GSM, that it requests a
30 handover. The signal is one step according to the sequence-diagram represented in fig. 1.

Afterwards the base station controller BSC sends a message for handover request acceptance HREA to the core network CN, for

example to indicate that the resources for the requested communication or communications are available.

5 Within the first access system, especially a Universal Mobile Telecommunication System UMTS, a handover command HCM is sent to the access network AN of the first access system.

10 The access network AN transmits afterwards the handover command HCM to the mobile user equipment MUE. The mobile user equipment MUE sends a handover access HAC to the base station controller BSC.

15 The base station controller BSC sends afterwards a handover detect signal HDT to the core network CN.

After completing the handover the mobile user equipment MUE sends a handover complete HCP signal to the base station controller BSC.

20 The base station controller BSC sends the handover complete signal HCP to the core network CN.

25 If a first number n of communications has been established and a second, lower number m of communications is handed over, $n-m$ communications have to be released.

30 For each communication which is not handed over a disconnect order DC, a release command RCM and a release complete signal RCP are sent. The disconnect order DC is sent from the core network CN to the mobile user equipment MUE. The mobile user equipment sends afterwards the release command RCM to the core network CN. The release complete signal RCP is sent from the core network CN to the mobile user equipment MUE.

Effectively, the release command RCM and the release complete signal RCP are repeated $n-m$ times to release $n-m$ communications. However, to facilitate the understanding of the figure, the release command RCM and the release complete signal RCP messages are represented by two arrows.

To clear the signalling connections to the first access network, the core network CN sends a clear command CCM to the access network AN. The access network AN signals afterwards a clear complete CCP signal to the core network.

Fig. 2 shows a second advantageous implementation of the invention.

The communication is set up between a mobile user equipment MUE and a first access system of a communication system.

If a first number n of communications is established, n setup messages SU are transmitted. However, to facilitate the understanding of the figure, the setup messages SU are represented by one arrow. Effectively, the setup message SU is repeated n times.

25

It is evaluated with how many base stations of the first access system the mobile user equipment has contact. If the number is low, especially if the mobile user equipment is connected to only one base station of the first access system an access network AN of the first access system, especially a Universal Mobile Telecommunication System UMTS, commands the mobile user equipment MUE to perform measurements.

30

The type of measurements is adapted to physical parameters of the access systems. Examples of the measurements are: radio link measurements, intra-frequency measurements, Inter-frequency measurements, or traffic volume measurements.

5

A measurement report MRT is sent from the mobile user equipment MUE to the access network AN.

10 The access network AN contains a device DPH, capable of deciding, whether a intersystem handover is necessary.

If the device DPH decides, that a intersystem handover is necessary, the procedure continues as described below.

15 The access network AN informs a core network CN that a intersystem handover is required by at least one handover request signal HRQ.

20 The core network CN contains a logical element LE for deciding which communication or communications are handed over and an execution element EE for executing the intersystem handover.

25 The core network CN sends a message HRE to a base station controller BSC of the second access system, especially a Global System for Mobile Communication GSM, that it requests a handover.

30 Afterwards the base station controller BSC sends a message for handover request acceptance HREA to the core network CN, for example to indicate that the resources for the requested communication or communications are available.

Within the first access system, especially a Universal Mobile

Telecommunication System UMTS, a handover command HCM is sent to the access network AN of the first access system.

The access network AN transmits afterwards the handover
5 command HCM to the mobile user equipment MUE. The mobile user equipment MUE sends a handover access HAC to the base station controller BSC.

The base station controller BSC sends afterwards a handover
10 detect signal HDT to the core network CN.

After completing the intersystem handover the mobile user equipment MUE sends a handover complete HCP signal to the base station controller BSC.

15 The base station controller BSC sends the handover complete signal HCP to the core network CN.

The communication is released before a communication between a
20 mobile user equipment MUE and a first access system of a communication system is disconnected.

If a first number n of communications has been established and a second, lower number m of communications is handed over, $n-m$
25 communications have to be released.

For each communication which is not handed over a disconnect order DC, a release command RCM and a release complete signal RCP are sent. The disconnect order DC is sent from the core
30 network CN to the mobile user equipment MUE. The mobile user equipment sends afterwards the release command RCM to the core network CN. The release complete signal RCP is sent from the core network CN to the mobile user equipment MUE.

Effectively, the release command RCM and the release complete signal RCP are repeated n-m times to release n-m communications. However, to facilitate the understanding of the figure, the release command RCM and the release complete signal RCP messages are represented by two arrows.

To clear the signalling connections to the first access network, the core network CN sends a clear command CCM to the access network AN. The access network AN signals afterwards a clear complete CCP signal to the core network.

Fig. 3 shows a third advantageous implementation of the invention.

This implementation makes use of the concept, that a mobile user equipment MUE sends to a core network CN of a communication system Initial User Equipment message IUE with information about calls to keep. The information could be - depending on a service value of the communication system - a preference or a definitive order to hand over certain calls.

In this preferred implementation, the information IUE about calls to keep is sent before the communications are established. However, sending the information about calls to keep later, is also possible in the setup message.

After the information IUE about calls to keep has been sent from the mobile user equipment MUE to the core network CN of the communication system, the core network CN could send an acknowledge signal ACK to the mobile user equipment MUE. However, this is in no way necessary.

The communication is set up between a mobile user equipment MUE and a first access system of a communication system.

If a first number n of communications is established, n setup messages SU are transmitted. However, to facilitate the understanding of the figure, the setup messages SU are represented by one arrow. Effectively, the setup message SU is repeated n times.

10 It is evaluated with how many base stations of the first access system the mobile user equipment has contact. If the number is low, especially if the mobile user equipment is connected to only one base station of the first access system an access network AN commands the mobile user equipment MUE to
15 perform measurements.

The type of measurements is adapted to physical parameters of the access systems. Examples of the measurements are: radio link measurements, intra-frequency measurements, Inter-
20 frequency measurements, or traffic volume measurements.

A measurement report MRT is sent from the mobile user equipment MUE to the access network AN.

25 The access network AN contains a device DPH, capable of deciding, whether a intersystem handover is necessary.

If the device DPH decides, that a intersystem handover is necessary, the procedure continues as described below.

30

The access network AN informs a core network CN that a intersystem handover is required by at least one handover request signal HRQ.

The core network CN contains a logical element and an execution element EE for executing the intersystem handover.

- 5 The core network CN informs a base station controller BSC of the second access system, especially a Global System for Mobile Communication GSM, that it requires an intersystem handover.
- 10 Afterwards the base station controller BSC sends a message for handover request acceptance HREA to the core network CN, for example to indicate that the resources for the requested communications are available.
- 15 Within the first access system, especially a Universal Mobile Telecommunication System UMTS, a handover command HCM is sent to the access network AN of the first access system.

The access network AN transmits afterwards the handover
20 command HCM to the mobile user equipment MUE. The mobile user equipment MUE sends a handover access HAC to the base station controller BSC.

The base station controller BSC sends afterwards a handover
25 detect signal HDT to the core network CN.

After completing the intersystem handover the mobile user equipment MUE sends a handover complete HCP signal to the base station controller BSC.

30

The base station controller BSC sends the handover complete signal HCP to the core network CN.

The communication is released before a communication between the mobile user equipment MUE and the first access system of a communication system is disconnected.

- 5 If a first number n of communications has been established and a second, lower number m of communications is handed over, $n-m$ communications have to be released.

For each communication which is not handed over a disconnect
10 order DC, a release command RCM and a release complete signal RCP are sent. The disconnect order DC is sent from the core network CN to the mobile user equipment MUE. The mobile user equipment sends afterwards the release command RCM to the core network CN. The release complete signal RCP is sent from the
15 core network CN to the mobile user equipment MUE.

Effectively, the release command RCM and the release complete signal RCP are repeated $n-m$ times to release $n-m$ communications. However, to facilitate the understanding of
20 the figure, the release command RCM and the release complete signal RCP messages are represented by two arrows.

To clear the signalling connections to the first access network, the core network CN sends a clear command CCM to the
25 access network AN. The access network AN signals afterwards a clear complete CCP signal to the core network.

- 30 Fig. 4 shows a fourth advantageous implementation of the invention.

The communication is set up between a mobile user equipment

MUE and a first access system of a communication system.

If a first number n of communications is established, n setup messages SU are transmitted. However, to facilitate the
5 understanding of the figure, the setup messages SU are represented by one arrow. Effectively, the setup message SU is repeated n times.

It is evaluated with how many base stations of the first
10 access system the mobile user equipment has contact. If the number is low, especially if the mobile user equipment is connected to only one base station of the first access system an access network AN of the first access system, especially a Universal Mobile Telecommunication System UMTS, commands the
15 mobile user equipment MUE to perform measurements.

The type of measurements is adapted to physical parameters of the access systems. Examples of the measurements are: radio link measurements, intra-frequency measurements, Inter-
20 frequency measurements, or traffic volume measurements.

A measurement report MRT is sent from the mobile user equipment MUE to the access network AN.

25 The access network AN contains a device DPH, capable of deciding, whether a intersystem handover is necessary.

The mobile user equipment MUE contains a logical element LE, which is which is capable of deciding which communications are
30 handed over.

If the device DPH decides, that an intersystem handover is necessary, the procedure continues as described below.

A handover query HQ is signalled from the access network AN to the mobile user equipment MUE to ask the mobile user equipment MUE which communication or communications are to be saved.

5 Afterwards the mobile user equipment sends a handover response HRP to the access network AN. The access network AN informs a core network CN that an intersystem handover is required by at least one handover request signal HRQ.

10 The core network CN informs a base station controller BSC of the second access system, especially a Global System for Mobile Communication GSM, that it requires a intersystem handover by sending a handover request signal HRE to the base station controller BSC.

15 Afterwards the base station controller BSC sends a message for handover request acceptance HREA to the core network CN, for example to indicate that the resources for the requested communication or communications are available.

20 Within the first access system, especially a Universal Mobile Telecommunication System UMTS, a handover command HCM is sent to the access network AN of the first access system.

25 The access network AN transmits afterwards the handover command HCM to the mobile user equipment MUE. The mobile user equipment MUE sends a handover access HAC to the base station controller BSC.

30 The base station controller BSC sends afterwards an intersystem handover detect signal HDT to the core network CN.

After completing the intersystem handover the mobile user

equipment MUE sends a handover complete HCP signal to the base station controller BSC.

The base station controller BSC sends the handover complete
5 signal HCP to the core network CN.

The communication is released before a communication between a mobile user equipment MUE and a first access system of a communication system is disconnected.

10

If a first number n of communications has been established and a second, lower number m of communications is handed over, $n-m$ communications have to be released.

15 For each communication which is not handed over a disconnect order DC, a release command RCM and a release complete signal RCP are sent. The disconnect order DC is sent from the core network CN to the mobile user equipment MUE. The mobile user equipment sends afterwards the release command RCM to the core
20 network CN. The release complete signal RCP is sent from the core network CN to the mobile user equipment MUE.

Effectively, the release command RCM and the release complete signal RCP are repeated $n-m$ times to release $n-m$
25 communications. However, to facilitate the understanding of the figure, the release command RCM and the release complete signal RCP messages are represented by two arrows.

To clear the signalling connection to the first access
30 network, the core network CN sends a clear command CCM to the access network AN. The access network AN signals afterwards a clear complete CCP signal to the core network.

Fig. 5 shows a fifth advantageous implementation of the invention.

5 The communication is set up between a mobile user equipment MUE and a first access system of a communication system.

If a first number n of communications is established, n setup messages SU are transmitted. However, to facilitate the
10 understanding of the figure, the setup messages SU are represented by one arrow. Effectively, the setup message SU is repeated n times.

It is evaluated with how many base stations of the first
15 access system the mobile user equipment has contact. If the number is low, especially if the mobile user equipment is connected to only one base station of the first access system an access network AN of the first access system, especially a
20 Terrestrial Radio Access Network UTRAN of an Universal Mobile Telecommunication System UMTS, commands the mobile user equipment MUE to perform measurements.

The type of measurements is adapted to physical parameters of the access systems. Examples of the measurements are: radio
25 link measurements, intra-frequency measurements, Inter-frequency measurements, or traffic volume measurements.

A measurement report MRT is sent from the mobile user equipment MUE to the access network AN.

30

The access network AN contains a device DPH, capable of deciding, whether an intersystem handover is necessary.

The mobile user equipment MUE contains a logical element LE, which is which is capable of deciding which communication or communications are handed over.

- 5 If the device DPH decides, that an intersystem handover is necessary, the procedure continues as described below.

The access network AN sends a capability request CRQ to the core network CN. The core network CN contains a capability
10 analysis element CAE, which performs measurements and/or calculation about capabilities in the network. Thus, the capability analysis element CAE is a means for determining a capability of the network.

- 15 A content of a capability answer CA, which is afterwards sent to the access network AN depends on a capability which the capability analysis element CAE has notified as available.

A handover query HQ is signalled from the access network AN to
20 the mobile user equipment MUE to ask the mobile user equipment MUE which communications are to be saved. Afterwards the mobile user equipment sends a handover response HRP to the access network AN. The access network AN informs a core network CN that an intersystem handover is required by at
25 least one handover request signal HRQ.

The core network CN informs a base station controller BSC of the second access system, especially a Global System for Mobile Communication GSM, that it requires an intersystem
30 handover by sending a handover request signal HRE to the base station controller BSC.

Afterwards the base station controller BSC sends a message for

handover request acceptance HREA to the core network CN, for example to indicate that the resources for the requested communication or communications are available.

5 Within the first access system, especially a Universal Mobile Telecommunication System UMTS, a handover command HCM is sent to the access network AN of the first access system.

The access network AN transmits afterwards the handover
10 command HCM to the mobile user equipment MUE. The mobile user equipment MUE sends a handover access HAC to the base station controller BSC.

The base station controller BSC sends afterwards a handover
15 detect signal HDT to the core network CN.

After completing the intersystem handover the mobile user equipment MUE sends a handover complete HCP signal to the base station controller BSC.

20 The base station controller BSC sends the handover complete signal HCP to the core network CN.

The communication is released before a communication between a
25 mobile user equipment MUE and a first access system of a communication system is disconnected.

If a first number n of communications has been established and a second, lower number m of communications is handed over, $n-m$
30 communications have to be released.

For each communication which is not handed over a disconnect order DC, a release command RCM and a release complete signal

RCP are sent. The disconnect order DC is sent from the core network CN to the mobile user equipment MUE. The mobile user equipment sends afterwards the release command RCM to the core network CN. The release complete signal RCP is sent from the core network CN to the mobile user equipment MUE.

Effectively, the release command RCM and the release complete signal RCP are repeated n-m times to release n-m communications. However, to facilitate the understanding of the figure, the release command RCM and the release complete signal RCP messages are represented by two arrows.

To clear the signalling connection to the first access network, the core network CN sends a clear command CCM to the access network AN. The access network AN signals afterwards a clear complete CCP signal to the core network.

According to fig. 6 an alternative solution is described in which a mobile user equipment contains a logical element LE and an execution element EE.

The communication is set up between a mobile user equipment MUE and a first access system of a communication system.

If a first number n of communications is established, n setup messages SU are transmitted. However, to facilitate the understanding of the figure, the setup messages SU are represented by one arrow. Effectively, the setup message SU is repeated n times.

It is evaluated with how many base stations of the first access system the mobile user equipment has contact. If the

number is low, especially if the mobile user equipment is connected to only one base station of the first access system an access network AN of the first access system, especially a Universal Mobile Telecommunication System UMTS, commands the
5 mobile user equipment MUE to perform measurements.

The type of measurements is adapted to physical parameters of the access systems. Examples of the measurements are: radio link measurements, intra-frequency measurements, Inter-
10 frequency measurements, or traffic volume measurements.

A measurement report MRT is sent from the mobile user equipment MUE to the access network AN.

15 The access network AN contains a device DPH, capable of deciding, whether an intersystem handover is necessary.

The mobile user equipment MUE contains a logical element LE, which is capable of deciding which communication or
20 communications are handed over.

If the device DPH decides, that an intersystem handover is necessary, the procedure continues as described below.

25 The access network AN may send a capability request CRQ to the core network CN. The core network CN contains a capability analysis element CAE, which performs measurements and/or calculation about capabilities in the network. Thus, the capability analysis element CAE is a means for determining a
30 capability of the network.

A content of a capability answer CA, which is afterwards sent to the access network AN depends on a capability which the

capability analysis element CAE has notified as available.

The capability analysis element CAE as well as the capability request CRQ and the capability answer CA are advantageous but
5 not necessary.

A handover query HQ is signalled from the access network AN to the mobile user equipment MUE. Afterwards the mobile user equipment sends a handover response HRP to the access network
10 AN.

A mobile user decides to remain within the first access system after he has been informed that at least one of the communications of the mobile user equipment MUE would be
15 interrupted in the case of a handover. Access network is informed about this with a handover response message HRP.

A preferred embodiment of the invention which is described
20 according to fig. 7 includes a logical element LE within a mobile user equipment MUE. The logical element LE is capable of deciding which communication or communications are handed over in the case that the mobile user equipment MUE would move between a first access system and a second access system.

25 The communication is set up between the mobile user equipment MUE and the first access system of the communication system.

If a first number n of communications is established, n setup
30 messages SU are transmitted. However, to facilitate the understanding of the figure, the setup messages SU are represented by one arrow. Effectively, the setup message SU is repeated n times.

As a part of the setup message SU the mobile user equipment MUE informs the access network AN about a communication or communications that should be handed over.

5

The access network AN contains a device DPH, capable of deciding, whether an intersystem handover is necessary.

10 If the device DPH decides, that an intersystem handover is necessary, the procedure continues as described below.

The access network AN informs a core network CN that an intersystem handover is required by at least one handover request signal HRQ.

15

The core network CN contains an execution element EE for executing the handover.

20 The core network CN informs a base station controller BSC of a second access system, especially a Global System for Mobile Communication GSM, that it requires an intersystem handover by sending a handover request signal HRE to the base station controller BSC.

25 Afterwards the base station controller BSC sends a message for handover request acceptance HREA to the core network CN, for example to indicate that the resources for the requested communication or communications are available.

30 Within the first access system, especially a Universal Mobile Telecommunication System UMTS, a handover command HCM is sent to the access network AN of the first access system.

The access network AN transmits afterwards the handover command HCM to the mobile user equipment MUE. The mobile user equipment MUE sends a handover access HAC to the base station controller BSC.

5

The base station controller BSC sends afterwards a handover detect signal HDT to the core network CN.

10 After completing the intersystem handover the mobile user equipment MUE sends a handover complete signal HCP to the base station controller BSC.

The base station controller BSC sends the handover complete signal HCP to the core network CN.

15

The communication is released before a communication between a mobile user equipment MUE and a first access system of a communication system is disconnected.

20 If a first number n of communications has been established and a second, lower number m of communications is handed over, $n-m$ communications have to be released.

25 For each communication which is not handed over a disconnect order DC, a release command RCM and a release complete signal RCP are sent. The disconnect order DC is sent from the core network CN to the mobile user equipment MUE. The mobile user equipment sends afterwards the release command RCM to the core network CN. The release complete signal RCP is sent from the
30 core network CN to the mobile user equipment MUE.

Effectively, the release command RCM and the release complete signal RCP are repeated $n-m$ times to release $n-m$

communications. However, to facilitate the understanding of the figure, the release command RCM and the release complete signal RCP messages are represented by two arrows.

- 5 To clear the signalling connection to the first access network, the core network CN sends a clear command CCM to the access network AN. The access network AN signals afterwards a clear complete signal CCP to the core network.
- 10 In the preferred embodiments of the invention which are described according to fig. 8 a mobile user equipment MUE contains a logic element LE as well as an execution element EE for executing handover.
- 15 The communication is set up between the mobile user equipment MUE and a first access system, especially a Universal Mobile Telecommunication System UMTS, of the communication system, .
- 20 If a first number n of communications is established, n setup messages SU are transmitted. However, to facilitate the understanding of the figure, the setup messages SU are represented by one arrow. Effectively, the setup message SU is repeated n times.
- 25 As a part of the setup message SU the mobile user equipment MUE informs the access network AN about a communication or communications that should be handed over.

30 It is evaluated with how many base stations of the first access system the mobile user equipment has contact. If the number is low, especially if the mobile user equipment is connected to only one base station of the first access system an access network AN of the first access system, especially a

Universal Mobile Telecommunication System UMTS, commands the mobile user equipment MUE to perform measurements.

5 The type of measurements is adapted to physical parameters of the access systems. Examples of the measurements are: radio link measurements, intra-frequency measurements, Inter-frequency measurements, or traffic volume measurements.

10 A measurement report MRT is sent from the mobile user equipment MUE to the access network AN.

15 The access network AN contains a device DPH, capable of deciding, whether an intersystem handover is necessary and a logical element LE for deciding which communication or communications are handed over.

If the device DPH decides, that an intersystem handover is necessary, the procedure continues as described below.

20 An access network AN of the first access system sends a handover query HQ to a mobile user equipment MUE.

25 Afterwards the mobile user equipment sends a handover response HRP to the access network AN. The mobile user equipment MUE disconnects those communication or communications that cannot be kept. The mobile user equipment informs the core network CN which communication or communications should be kept. The access network informs a core network CN that an intersystem handover is required by at least one handover request signal
30 HRQ.

The core network CN informs a base station controller BSC of the second access system, especially a Global System for

Mobile Communication GSM, that it requires an intersystem handover by sending a handover request signal HRE to the base station controller BSC.

- 5 Afterwards the base station controller BSC sends a message for handover request acceptance HREA to the core network CN, for example to indicate that the resources for the requested communication or communications are available.
- 10 Within the first access system, especially a Universal Mobile Telecommunication System UMTS, a handover command HCM is sent to the access network AN of the first access system.

The access network AN transmits afterwards the handover
15 command HCM to the mobile user equipment MUE. The mobile user equipment MUE sends a handover access HAC to the base station controller BSC.

The base station controller BSC sends afterwards a handover
20 detect signal HDT to the core network CN.

After completing the intersystem handover the mobile user
equipment MUE sends a handover complete HCP signal to the base
station controller BSC.

25 The base station controller BSC sends the handover complete signal HCP to the core network CN.

The communication is released before a communication between a
30 mobile user equipment MUE and a first access system of a communication system is disconnected.

If a first number n of communications has been established and

a second, lower number m of communications is handed over, $n-m$ communications have to be released.

For each communication which is not handed over a disconnect
5 order DC, a release command RCM and a release complete signal
RCP are sent. The disconnect order DC is sent from the core
network CN to the mobile user equipment MUE. The mobile user
equipment sends afterwards the release command RCM to the core
network CN. The release complete signal RCP is sent from the
10 core network CN to the mobile user equipment MUE.

Effectively, the release command RCM and the release complete
signal RCP are repeated $n-m$ times to release $n-m$
communications. However, to facilitate the understanding of
15 the figure, the release command RCM and the release complete
signal RCP messages are represented by two arrows.

To clear the signalling connection to the first access
network, the core network CN sends a clear command CCM to the
20 access network AN. The access network AN sends afterwards a
clear complete signal CCP to the core network.

Fig. 9 shows an advantageous implementation of the invention.

25 The communication is set up between a mobile user equipment
MUE and a first access system of a communication system.

Actual propositions for standards include at least one setup
message for each communication. If a first number n of
30 communications is established, n setup messages SU are
transmitted. However, to facilitate the understanding of the
figure, the setup messages SU are represented by one arrow.
Effectively, the setup message SU is repeated n times.

Permanently or after certain time intervals the number of active links is checked. If this number is low, especially if only one link is found, measurements are performed.

5

Preferably, it is evaluated with how many base stations of the first access system the mobile user equipment has contact. If the number is low, especially if the mobile user equipment is connected to only one base station of the first access system
10 an access network AN of the first access system, especially a Universal Mobile Telecommunication System UMTS, decides, whether an intersystem handover should be effected. By this decision that a handover is needed is carried out earlier.

15 The type of measurements is adapted to physical parameters of the access systems. Examples of the measurements are: radio link measurements, intra-frequency measurements, inter-frequency measurements, or traffic volume measurements.

20 A measurement report MRT is sent from the mobile user equipment MUE to the access network AN.

The access network AN contains a device DPH, capable of deciding, whether an intersystem handover is necessary and a
25 logical element LE for deciding which communication or communications are to be handed over.

If the device DPH decides, that an intersystem handover is necessary, the procedure continues as described below.

30

The access network AN informs a core network CN that an intersystem handover is required by at least one handover request signal HRQ.

The core network CN contains an execution element EE for executing the handover.

- 5 The mobile user equipment contains means for keeping at least one call on hold. Preferably the means is a hold execution element HE.

The core network CN sends a hold order HO to the mobile user
10 equipment MUE. The hold execution element HE puts the requested call on hold and sends a message for hold acceptance HOA to the core network. The sending of the hold order HO and the hold acceptance HOA in the mentioned directions is not
15 part of any GSM standard. However, it is advantageous to inform the mobile user equipment about a communication or communications that are on hold.

With this implementation it is possible, to handover
conference calls and/or to keep one ore more communications on
20 hold with the possibility of reactivating them at a later time.

The core network CN sends a message HRE to a base station controller BSC of the second access system, especially a
25 Global System for Mobile Communication GSM, that it requests a handover. The signal is one step according to the sequence-diagram.

Afterwards the base station controller BSC sends a message for
30 handover request acceptance HREA to the core network CN, for example to indicate that the resources for the requested communication or communications are available.

Within the first access system, especially a Universal Mobile Telecommunication System UMTS, a handover command HCM is sent to the access network AN of the first access system.

- 5 The access network AN transmits afterwards the handover command HCM to the mobile user equipment MUE. The mobile user equipment MUE sends a handover access HAC to the base station controller BSC.
- 10 The base station controller BSC sends afterwards a handover detect signal HDT to the core network CN.

After completing the intersystem handover the mobile user equipment MUE sends a handover complete HCP signal to the base station controller BSC.

15

The base station controller BSC sends the handover complete signal HCP to the core network CN.

- 20 The communication is released before a communication between a mobile user equipment MUE and a first access system of a communication system is disconnected.

If a first number n of communications has been established and a second, lower number m of communications is handed over, $n-m$ communications have to be released.

25

For each communication which is not handed over a disconnect order DC, a release command RCM and a release complete signal RCP are sent. The disconnect order DC is sent from the core network CN to the mobile user equipment MUE. The mobile user equipment sends afterwards the release command RCM to the core network CN. The release complete signal RCP is sent from the

30

core network CN to the mobile user equipment MUE.

Effectively, the release command RCM and the release complete signal RCP are repeated $n-m$ times to release $n-m$

5 communications. However, to facilitate the understanding of the figure, the release command RCM and the release complete signal RCP messages are represented by two arrows.

To clear the signalling connections to the first access
10 network, the core network CN sends a clear command CCM to the access network AN. The access network AN signals afterwards a clear complete CCP signal to the core network.

15 Fig. 10 shows an advantageous implementation of the invention.

The communication is set up between a mobile user equipment MUE and a first access system of a communication system.

20 Actual propositions for standards include at least one setup message for each communication. If a first number n of communications is established, n setup messages SU are transmitted. However, to facilitate the understanding of the figure, the setup messages SU are represented by one arrow.

25 Effectively, the setup message SU is repeated n times.

Permanently or after certain time intervals the number of active links is checked. If this number is low, especially if only one link is found, measurements are performed.

30

Preferably, it is evaluated with how many base stations of the first access system the mobile user equipment has contact. If the number is low, especially if the mobile user equipment is

connected to only one base station of the first access system
an access network AN of the first access system, especially a
Universal Mobile Telecommunication System UMTS, decides,
whether an intersystem handover should be effected. By this
5 decision that a handover is needed is carried out earlier.

The type of measurements is adapted to physical parameters of
the access systems. Examples of the measurements are: radio
link measurements, intra-frequency measurements, inter-
10 frequency measurements, or traffic volume measurements.

A measurement report MRT is sent from the mobile user
equipment MUE to the access network AN.

15 The access network AN contains a device DPH, capable of
deciding, whether an intersystem handover is necessary and a
logical element LE for deciding which communication or
communications are to be handed over.

20 If the device DPH decides, that an intersystem handover is
necessary, the procedure continues as described below.

The access network AN informs a core network CN that an
intersystem handover is required by at least one handover
25 request signal HRQ.

The core network CN contains an execution element EE for
executing the handover.

30 The core network CN sends a message HRE to a base station
controller BSC of the second access system, especially a
Global System for Mobile Communication GSM, that it requests a
handover. The signal is one step according to the sequence-

diagram.

Afterwards the base station controller BSC sends a message for
handover request acceptance HREA to the core network CN, for
5 example to indicate that the resources for the requested
communication or communications are available.

Within the first access system, especially a Universal Mobile
Telecommunication System UMTS, a handover command HCM is sent
10 to the access network AN of the first access system.

The access network AN transmits afterwards the handover
command HCM to the mobile user equipment MUE. The mobile user
equipment MUE sends a handover access HAC to the base station
15 controller BSC.

The base station controller BSC sends afterwards a handover
detect signal HDT to the core network CN.

20 After completing the intersystem handover the mobile user
equipment MUE sends a handover complete HCP signal to the base
station controller BSC.

The base station controller BSC sends the handover complete
25 signal HCP to the core network CN.

The mobile user equipment contains means for keeping at least
one call on hold. Preferably the means is a hold execution
element HE.

30

The core network CN sends a hold order HO to the mobile user
equipment MUE. The hold execution element HE puts the
requested call on hold and sends a message for hold acceptance

HOA to the core network. The sending of the hold order HO and the hold acceptance HOA in the mentioned directions is not part of any GSM standard. However, it is advantageous to inform the mobile user equipment about a communication or
5 communications that are on hold.

With this implementation it is possible, to handover conference calls and/or to keep one or more communications on hold with the possibility of reactivating them at a later
10 time.

The communication is released before a communication between a mobile user equipment MUE and a first access system of a communication system is disconnected.
15

If a first number n of communications has been established and a second, lower number m of communications, including both active and held communications, is handed over, $n-m$ communications have to be released.
20

For each communication which is not handed over a disconnect order DC, a release command RCM and a release complete signal RCP are sent. The disconnect order DC is sent from the core network CN to the mobile user equipment MUE. The mobile user
25 equipment sends afterwards the release command RCM to the core network CN. The release complete signal RCP is sent from the core network CN to the mobile user equipment MUE.

Effectively, the release command RCM and the release complete
30 signal RCP are repeated $n-m$ times to release $n-m$ communications. However, to facilitate the understanding of the figure, the release command RCM and the release complete signal RCP messages are represented by two arrows.

To clear the signalling connections to the first access network, the core network CN sends a clear command CCM to the access network AN. The access network AN signals afterwards a clear complete CCP signal to the core network.

In the preferred embodiments of the invention which are described according to fig. 11 a mobile user equipment MUE contains a logic element LE as well as an execution element EE for executing handover.

The communication is set up between the mobile user equipment MUE and a first access system, especially a Universal Mobile Telecommunication System UMTS, of the communication system.

If a first number n of communications is established, n setup messages SU are transmitted. However, to facilitate the understanding of the figure, the setup messages SU are represented by one arrow. Effectively, the setup message SU is repeated n times.

As a part of the setup message SU the mobile user equipment MUE informs the access network AN about a communication or communications that should be handed over.

It is evaluated with how many base stations of the first access system the mobile user equipment has contact. If the number is low, especially if the mobile user equipment is connected to only one base station of the first access system an access network AN of the first access system, especially a Universal Mobile Telecommunication System UMTS, commands the mobile user equipment MUE to perform measurements.

The type of measurements is adapted to physical parameters of the access systems. Examples of the measurements are: radio link measurements, intra-frequency measurements, Inter-
5 frequency measurements, or traffic volume measurements.

A measurement report MRT is sent from the mobile user equipment MUE to the access network AN.

10 The access network AN contains a device DPH, capable of deciding, whether an intersystem handover is necessary and a logical element LE for deciding which communication or communications are handed over.

15 If the device DPH decides, that an intersystem handover is necessary, the procedure continues as described below.

An access network AN of the first access system sends a handover query HQ to a mobile user equipment MUE.

20

Afterwards the mobile user equipment sends a handover response HRP to the access network AN. The access network informs a core network CN that an intersystem handover is required by at least one handover request signal HRQ.

25

The mobile user equipment contains means for keeping at least one call on hold. Preferably the means is a hold execution element HE.

30 The mobile user equipment MUE sends a hold order HO to the core network CN. The hold execution element HE puts the requested call on hold and sends a message for hold acceptance HOA to the mobile user equipment MUE.

With this implementation it is possible, to handover
conference calls and/or to keep one ore more communications on
hold with the possibility of reactivating them at a later
5 time.

The core network CN informs a base station controller BSC of
the second access system, especially a Global System for
Mobile Communication GSM, that it requires an intersystem
10 handover by sending a handover request signal HRE to the base
station controller BSC.

Afterwards the base station controller BSC sends a message for
handover request acceptance HREA to the core network CN, for
15 example to indicate that the resources for the requested
communication or communications are available.

Within the first access system, especially a Universal Mobile
Telecommunication System UMTS, a handover command HCM is sent
20 to the access network AN of the first access system.

The access network AN transmits afterwards the handover
command HCM to the mobile user equipment MUE. The mobile user
equipment MUE sends a handover access HAC to the base station
25 controller BSC.

The base station controller BSC sends afterwards a handover
detect signal HDT to the core network CN.

30 After completing the intersystem handover the mobile user
equipment MUE sends a handover complete HCP signal to the base
station controller BSC.

The base station controller BSC sends the handover complete signal HCP to the core network CN.

The communication is released before a communication between a
5 mobile user equipment MUE and a first access system of a
communication system is disconnected.

If a first number n of communications has been established and
a second, lower number m of communications is handed over, $n-m$
10 communications have to be released.

For each communication which is not handed over a disconnect
order DC, a release command RCM and a release complete signal
RCP are sent. The disconnect order DC is sent from the core
15 network CN to the mobile user equipment MUE. The mobile user
equipment sends afterwards the release command RCM to the core
network CN. The release complete signal RCP is sent from the
core network CN to the mobile user equipment MUE.

20 Effectively, the release command RCM and the release complete
signal RCP are repeated $n-m$ times to release $n-m$
communications. However, to facilitate the understanding of
the figure, the release command RCM and the release complete
signal RCP messages are represented by two arrows.

25

To clear the signalling connection to the first access
network, the core network CN sends a clear command CCM to the
access network AN. The access network AN sends afterwards a
clear complete signal CCP to the core network.

30

A disconnect, a release or a release complete message need not to be sent just after the handover complete message. However, this has the advantage that the resources in the core network
5 are released earlier.

List of reference signs:

	ACK	acknowledge signal
	AN	access network
5	BSC	base station controller
	BTS	base transceiver station
	CA	capability answer
	CAE	capability analysis element
	CCM	clear command
10	CCP	clear complete signal
	CN	core network
	CRQ	capability request
	DPH	device for deciding if a intersystem handover is performed
15	DCO	disconnect order
	EE	execution element
	GSM	Global System for Mobile Communication
	HAC	handover access
	HCM	handover command
20	HCP	handover complete signal
	HDT	handover detached signal
	HO	hold order
	HOA	hold acceptance
	HQ	handover query
25	HRE	handover request
	HREA	handover request acceptance
	HRP	handover response
	HRQ	handover required
	ICK	communication system information
30	ISDN	Integrated Service Digital Network
	IUE	initial user equipment
	LE	logical element
	MCT	measurement control

	MRT	measurement report
	MSC	Mobile Services Switching Centre
	MUE	mobile user equipment
	PSTN	Public Switched Telephone Network
5	RCM	release command
	RCP	release complete signal
	SMS	Short Messaging Service
	SU	setup message
	UMTS	Universal Mobile Telecommunication System
10	UTRAN	Universal Mobile Telecommunication System Terrestrial Radio Access Network

Claims

1. A communication system with at least two different access
5 systems, wherein a first access system is capable of
handling a first number of communications between a mobile
user equipment (MUE) and the first access system and
wherein a second access system is capable of handling a
10 second number of communications between the mobile user
equipment (MUE) and the second access system,
characterised in that the mobile user equipment (MUE)
and/or the communication system contains at least one
means for making at least one decision which communication
or communications are handed over in the case that the
15 mobile user equipment (MUE) moves between the first access
system and the second access system and in that the mobile
user equipment (MUE) and/or the communication system
contain at least one means for executing the at least one
decision.
- 20
2. The communication system according to claim 1,
characterised in that the communication system contains at
least one means (CAE) for determining a capability of at
least one of the access systems.
- 25
3. The communication system according to claim 2,
characterised in that the means for determining the
capability is located in a core network (CN).
- 30
4. The communication system according to any of the claims 1
to 3, characterised in that at least one access network
(AN) of the communication system contains the means for
executing the at least one decision.

5. The communication system according to any of the claims 1 to 3, characterised in that a core network (CN) contains the means for executing the at least one decision.

5

6. The communication system according to any of the claims 1 to 3, characterised in that the mobile user equipment (MUE) contains the means for executing the at least one decision.

10

7. The communication system according to any of the claims 1 to 6, characterised in that at least one access network (AN) of the communication system contains the means for making at least one decision.

15

8. The communication system according to any of the claims 1 to 6, characterised in that at least one core network (CN) contains the means for making at least one decision.

20

9. The communication system according to any of the claims 1 to 6, characterised in that the mobile user equipment (MUE) contains the means for making at least one decision.

25

10. The communication system according to any of the claims 1 to 9, characterised in that it contains a means for making at least one decision whether an intersystem handover is necessary.

30

11. The communication system according to any of the claims 1 to 10, characterised in that the means for making at least one decision whether an intersystem handover is necessary is a device (DPH).

12. The communication system according to claim 10 or 11, characterised in that the device (DPH) is located in an access network (AN).
- 5 13. The communication system according to claim 12, characterised in that the device (DPH) is located in a radio network controller.
14. The communication system according to claim 11,
10 characterised in that the device (DPH) is located in a core network (CN).
15. Method for managing a communication system, with at least two different access systems, wherein a first access
15 system is capable of handling a first number of communications between a mobile user equipment (MUE) and the first access system and wherein a second access system is capable of handling a second number of communications between the mobile user equipment (MUE) and the second
20 access system,
characterised in that it is evaluated if a handover from the first access system to the second access system should be effected, wherein in the case that the handover is
25 necessary it is selected which communication or communications are handed over.
16. The method according to claim 15, characterised in that an access network (AN) sends a handover query to the mobile user equipment (MUE).

17. The method according to claim 16, characterised in that the access network (AN) signals a core network (CN), before the access network (AN) sends the handover query (HQ) to the mobile user equipment (MUE).
5
18. The method according to claim 17, characterised in that the core network (CN) adds information about a communication or communications which can be supported.
10
19. The method according to any of the claims 15 to 18, characterised in that it enables a mobile user to decide about the communication or the communications which should be handed over to the second access system.
15
20. The method according to any of the claims 15 to 19, characterised in that the mobile user equipment (MUE) informs the access network (AN) about the communication or the communications which should be handed over to the second access system.
20
21. The method according to any of the claims 15 to 20, characterised in that the mobile user equipment (MUE) receives a handover query (HOQ) for handover towards the second access system, then the mobile user equipment (MUE) disconnects all connections, that cannot be kept in the second access system.
25
22. The method according to any of the claims 15 to 21, characterised in that the core network (CN) decides which communication or communications should be handed over to the second access system.
30

23. The method according to any of the claims 15 to 22,
characterised in that all communications which cannot be
kept in the second access system are disconnected.

5 24. The method according to any of the claims 15 to 23,
characterised in that at least one decision about a
communications which are handed over in the case that the
mobile user equipment (MUE) would move between the first
access system and the second access system depends on at
10 least one presetting.

25. The method according to claim 24,
characterised in that the presettings are located within a
mobile user equipment.

15

26. The method according to claim 25,
characterised in that the presettings are transferred to
the core network within an initial user equipment (IUE)
message and/or in a setup (SU) message.

20

27. The method according to claim 25,
characterised in that a message which depends on the
presettings is sent to the core network (CN) after the
core network (CN) has sent a request to the mobile user
25 equipment (MUE).

28. The method according to claim 24,
characterised in that the presettings are stored within an
access network (AN) and/or an core network (CN).

30

29. The method according to claim 28,
characterised in that the presettings can be different for
each mobile user.

30. The method according to claim 28,
characterised in that the presettings are identical for
all users.

5

31. The method according to any of the claims 24 to 30,
characterised in that the presettings can be different for
different categories of communications.

10 32. The method according to any of the claims 24 to 31,
characterised in that the presettings can be different for
different priorities for different communications.

15 33. The method according to any of the claims 24 to 32,
characterised in that the presettings are defined and/or
modified by an operator.

20 34. The method according to any of the claims 24 to 33,
characterised in that the presettings are defined and/or
modified by a mobile user.

25 35. The method according to any of the claims 15 to 34,
characterised in that at least one of the communications
is put on hold before the handover and kept on hold after
the handover.

30 36. The method according to any of the claims 15 to 35,
characterised in that the mobile user equipment (MUE) puts
the at least one communication on hold.

37. The method according to any of the claims 15 to 35,
characterised in that the core network (CN) puts the at
least one communication on hold.

38. Mobile user equipment, capable of communicating in a communication system, characterised in that it contains an indicator that an intersystem handover is needed.

5

39. Method for managing a communication system, with at least two different access systems, wherein a first access system is capable of handling a first number of communications between a mobile user equipment (MUE) and the first access system and wherein a second access system is capable of handling a second number of communications between the mobile user equipment (MUE) and the second access system, characterised in that the method is carried out in a way that at least one of the communications is put on hold before the intersystem handover and kept on hold after the intersystem handover.

10

15

FIG 1

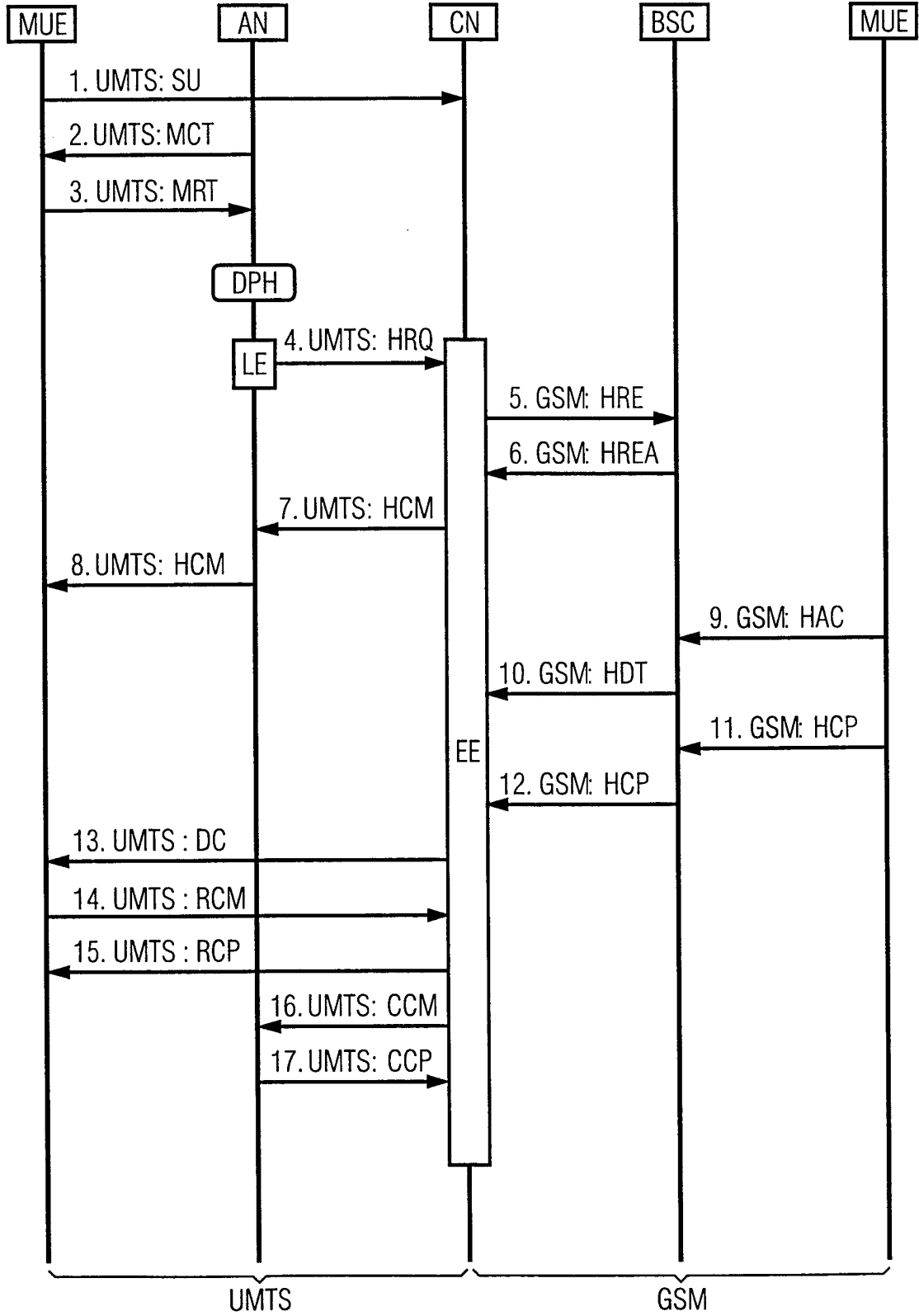


FIG 2

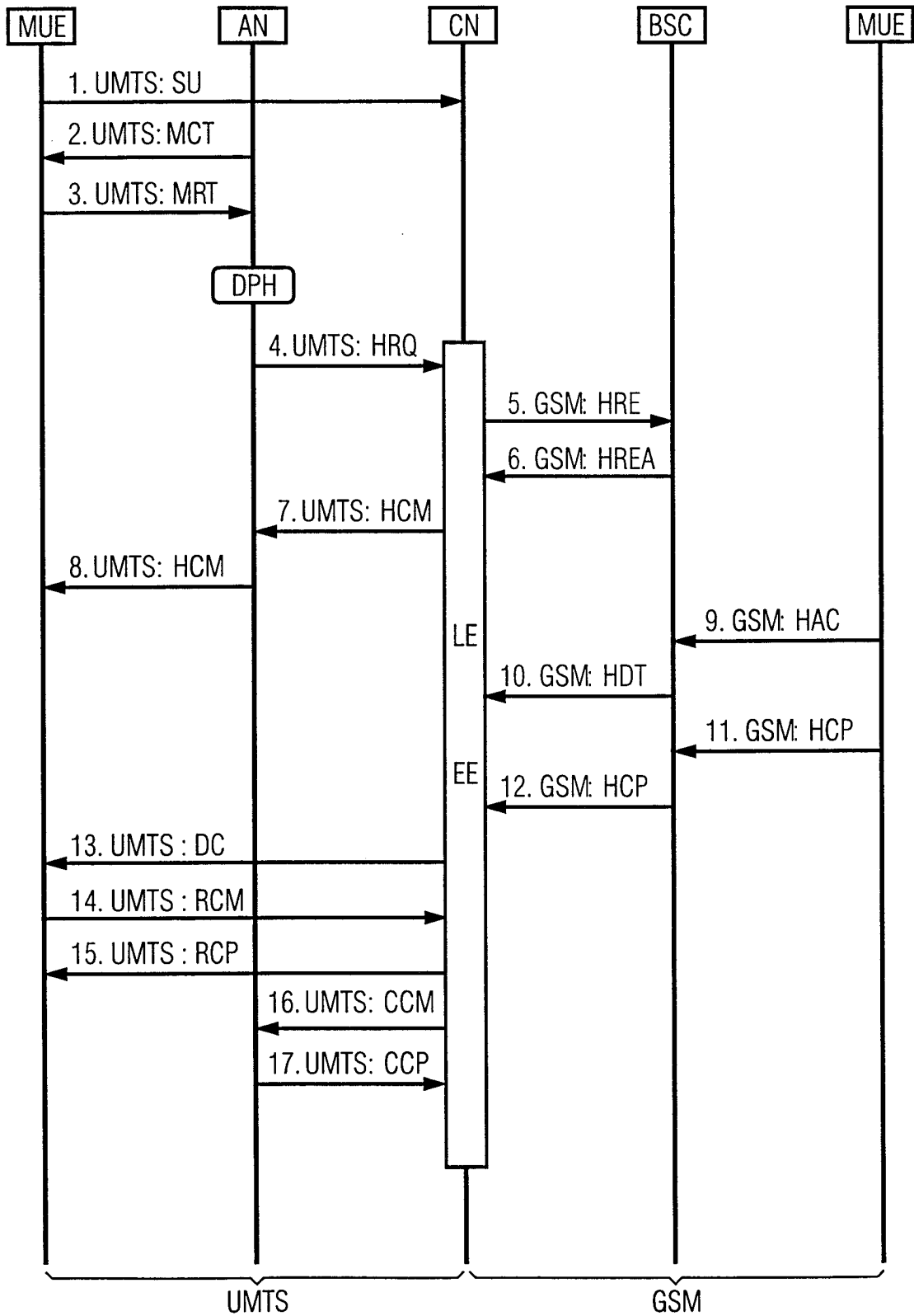


FIG 3

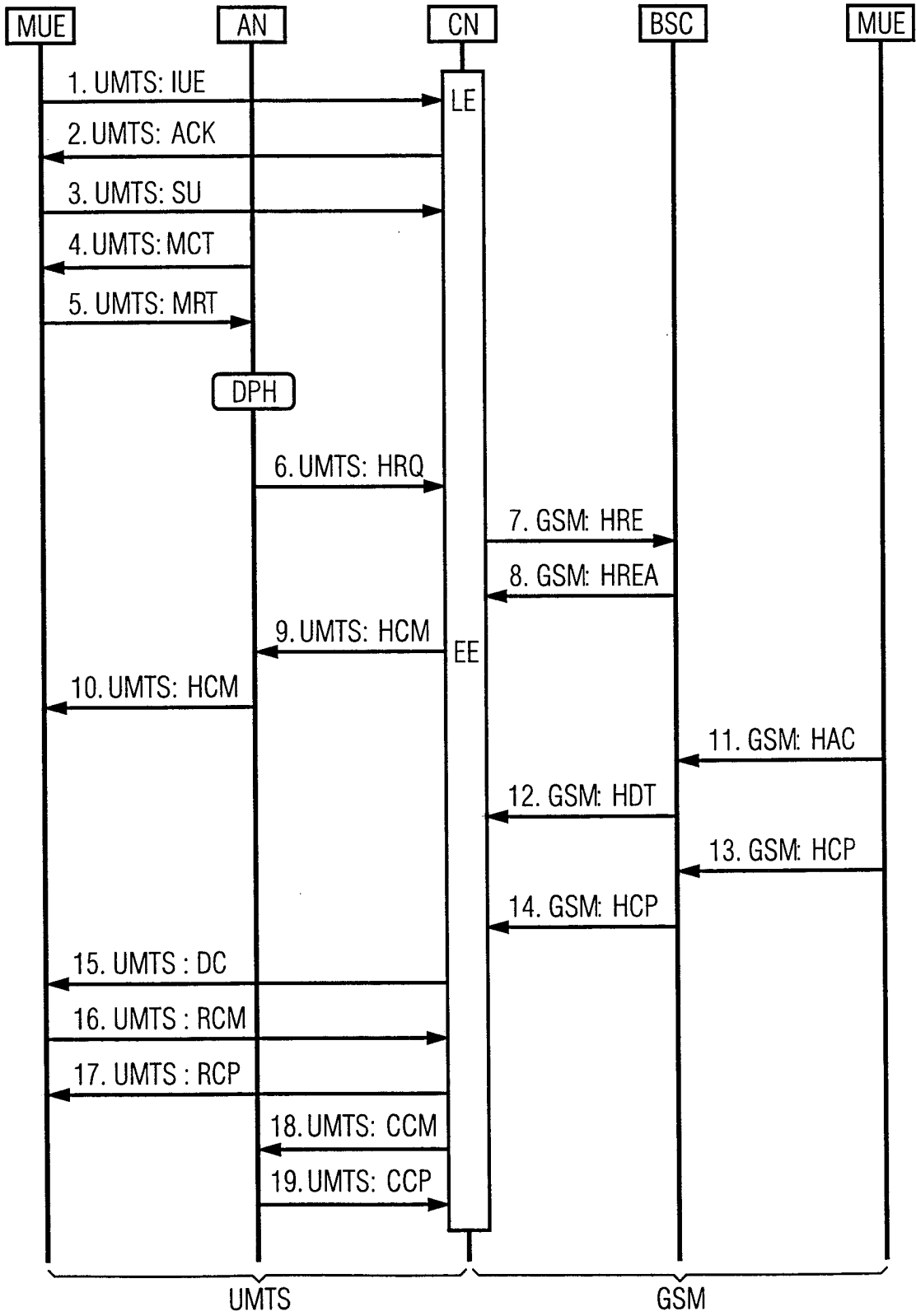


FIG 4

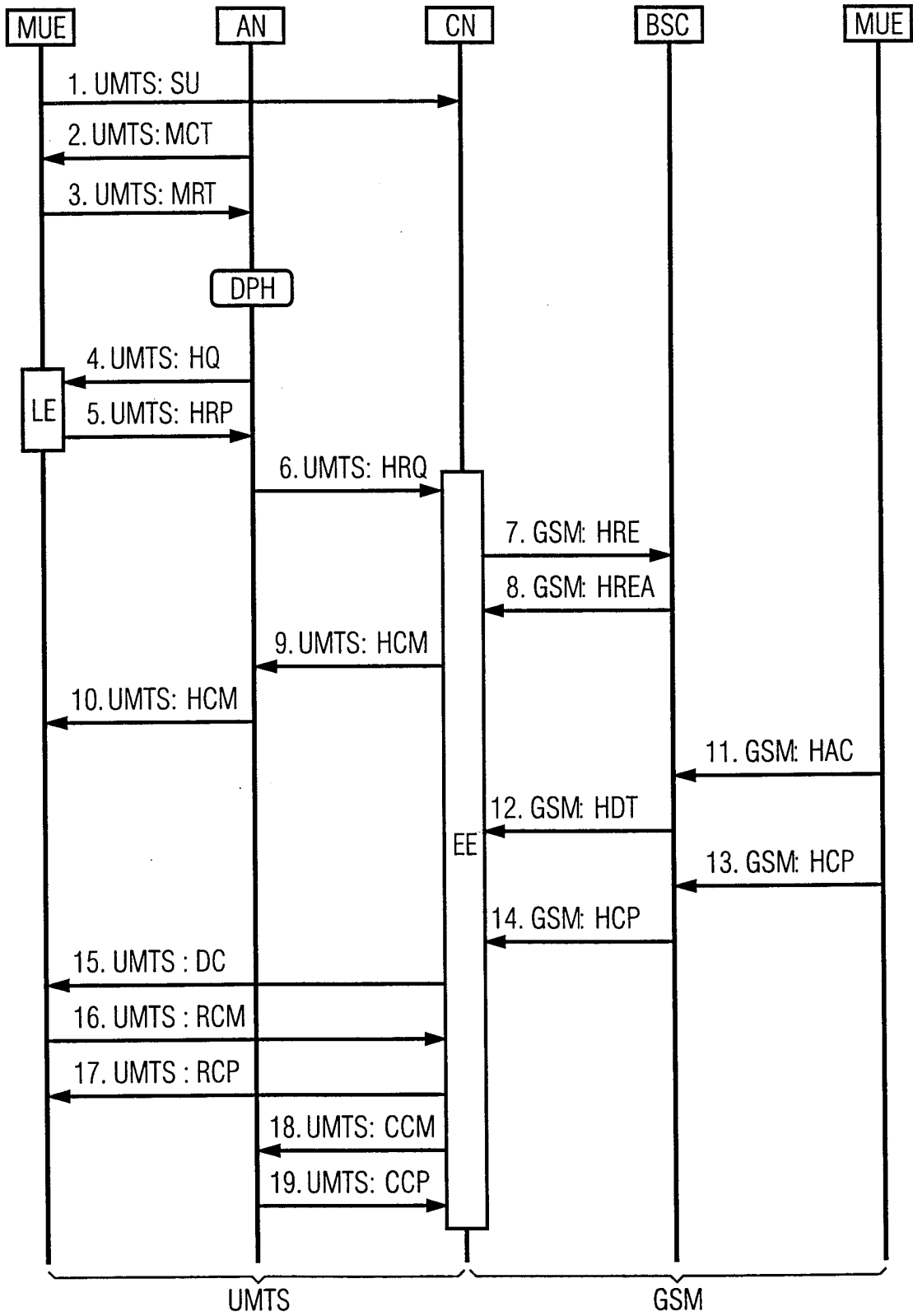


FIG 5

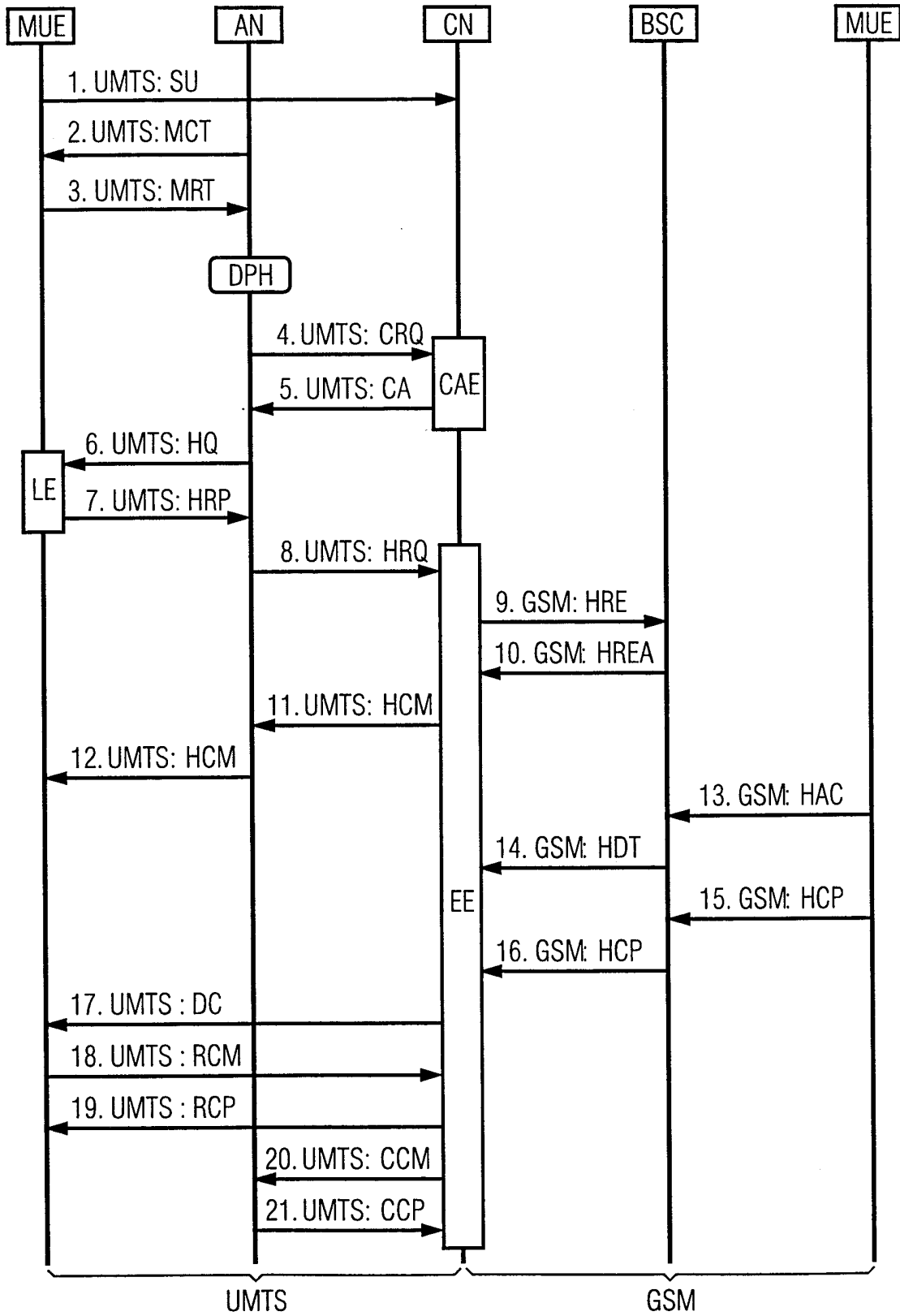


FIG 6

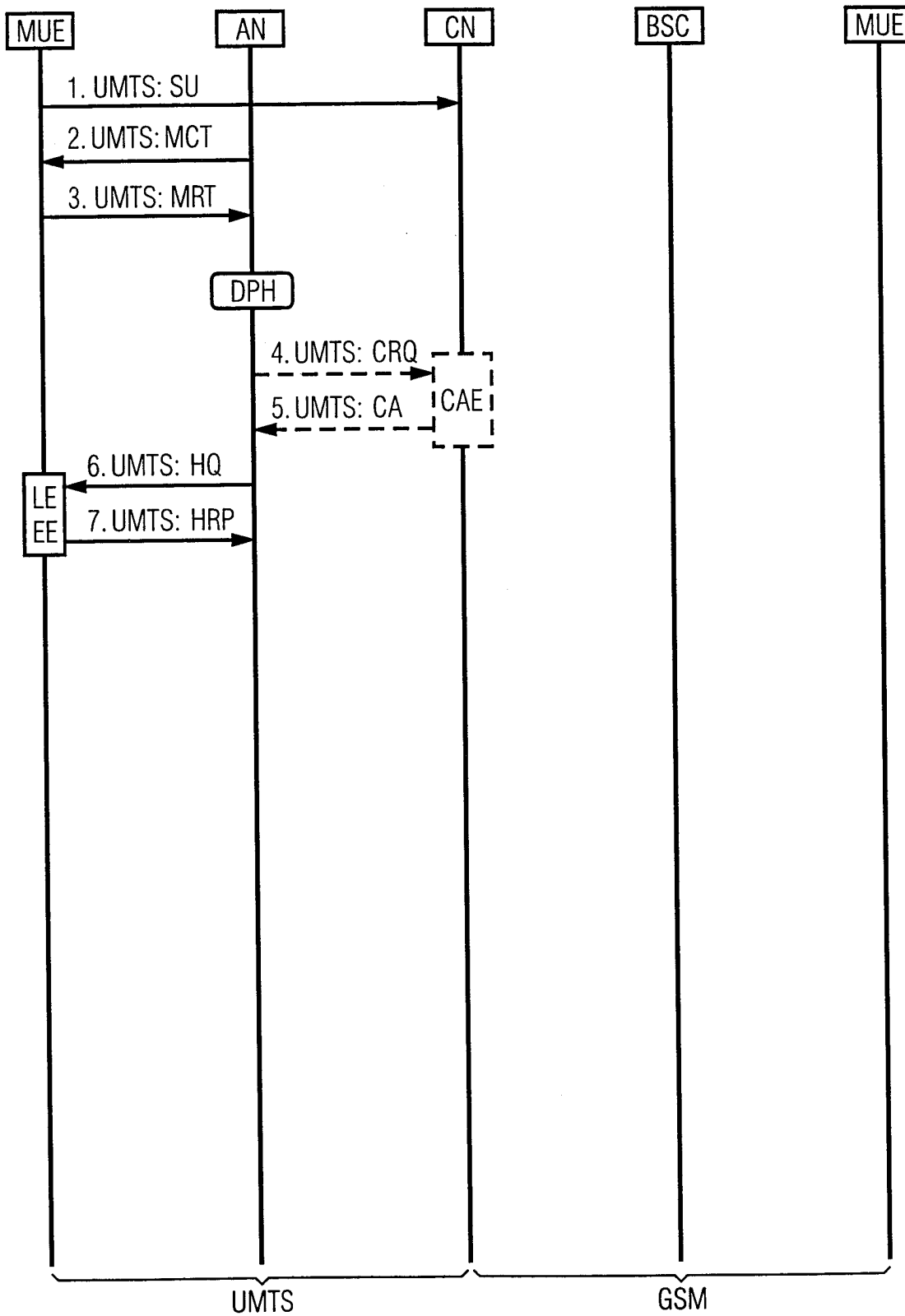


FIG 7

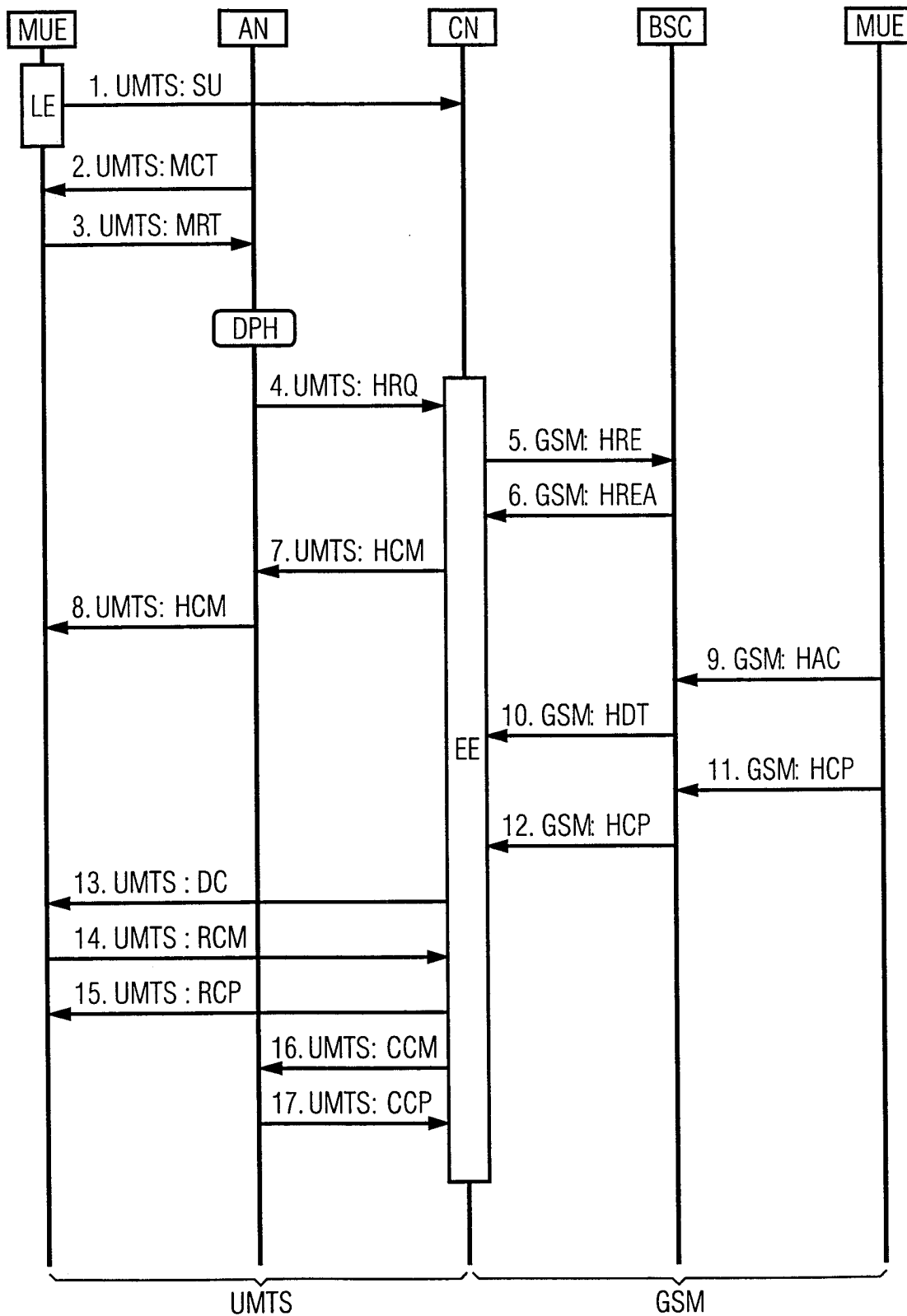


FIG 8

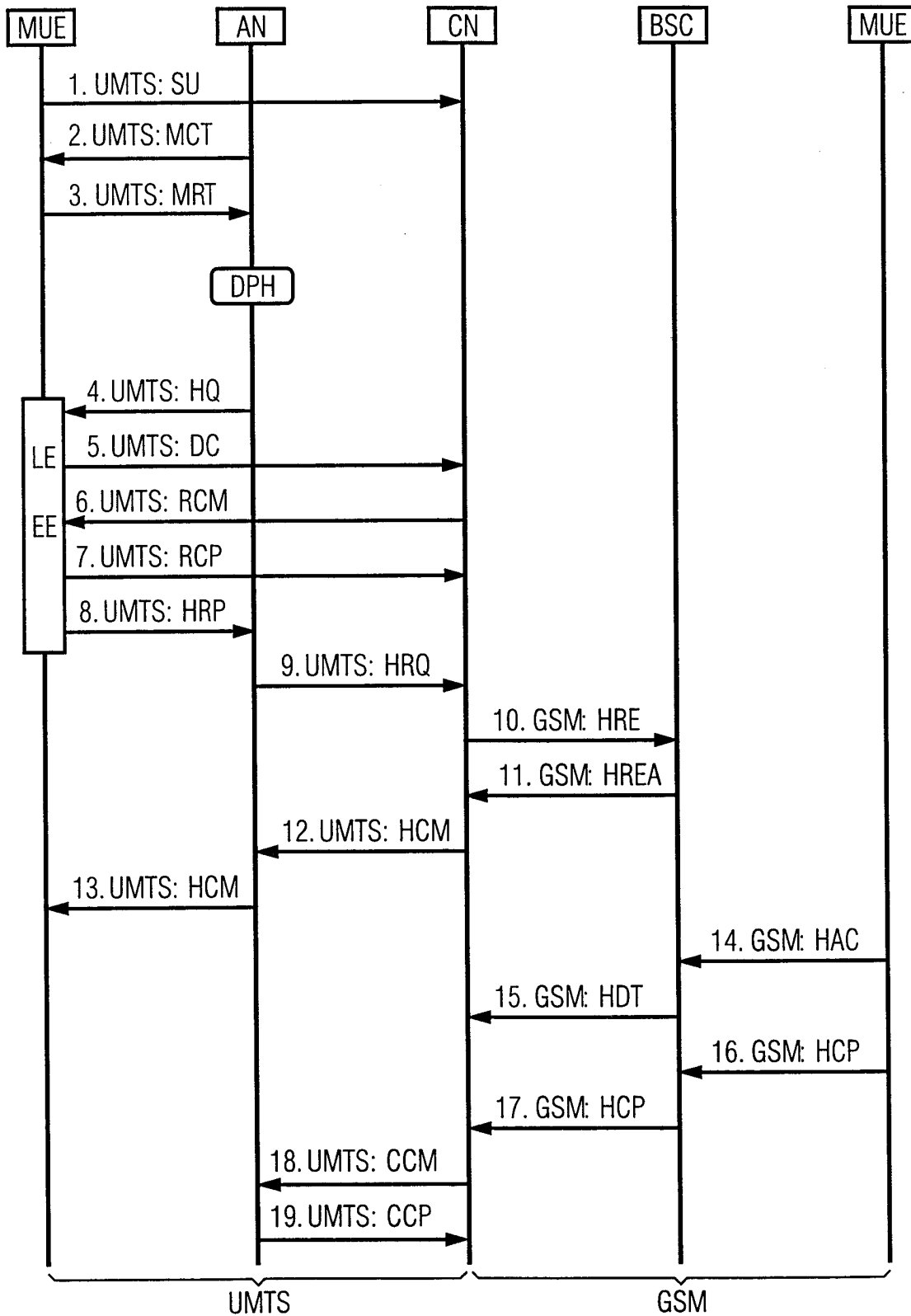


FIG 9

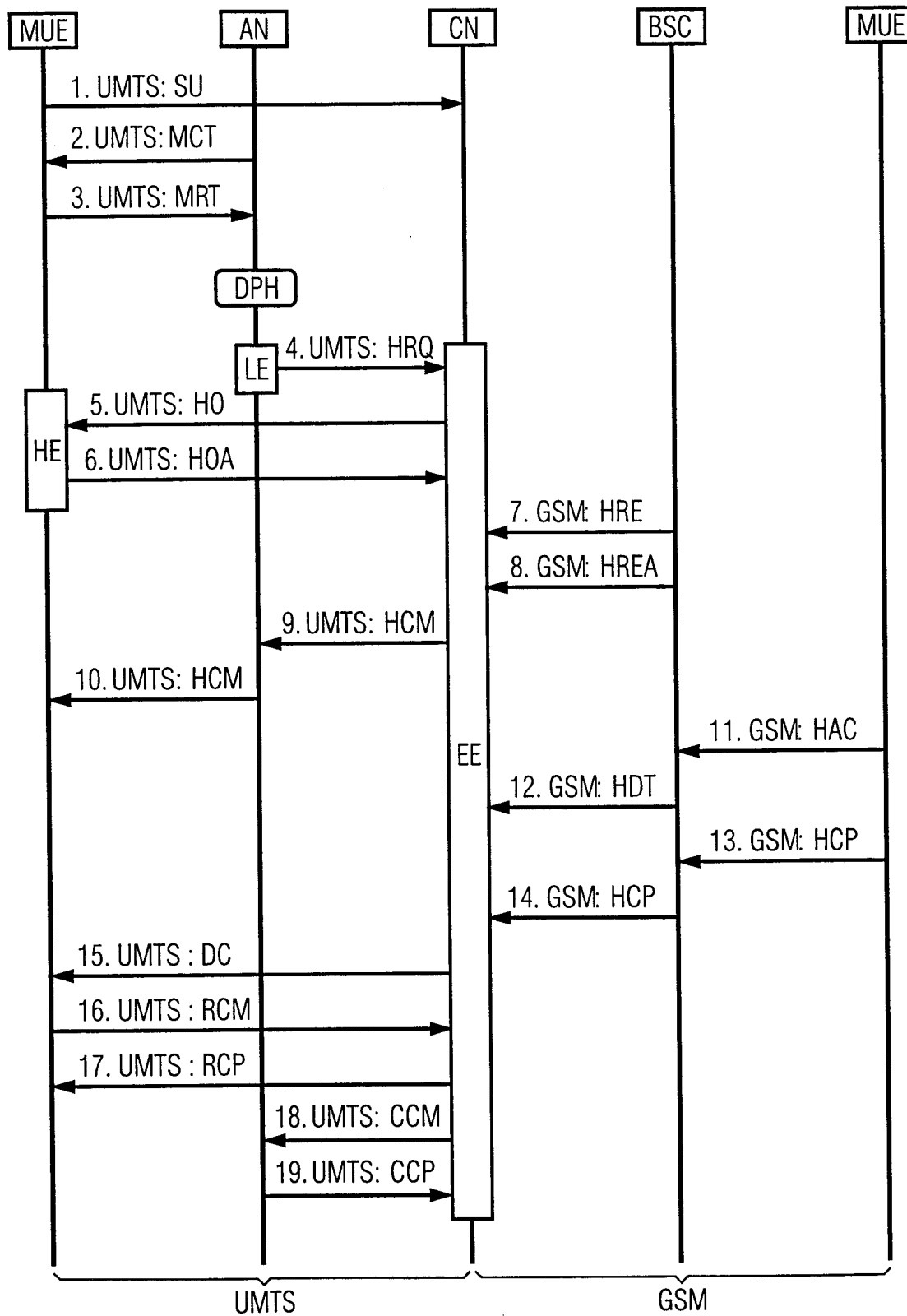


FIG 10

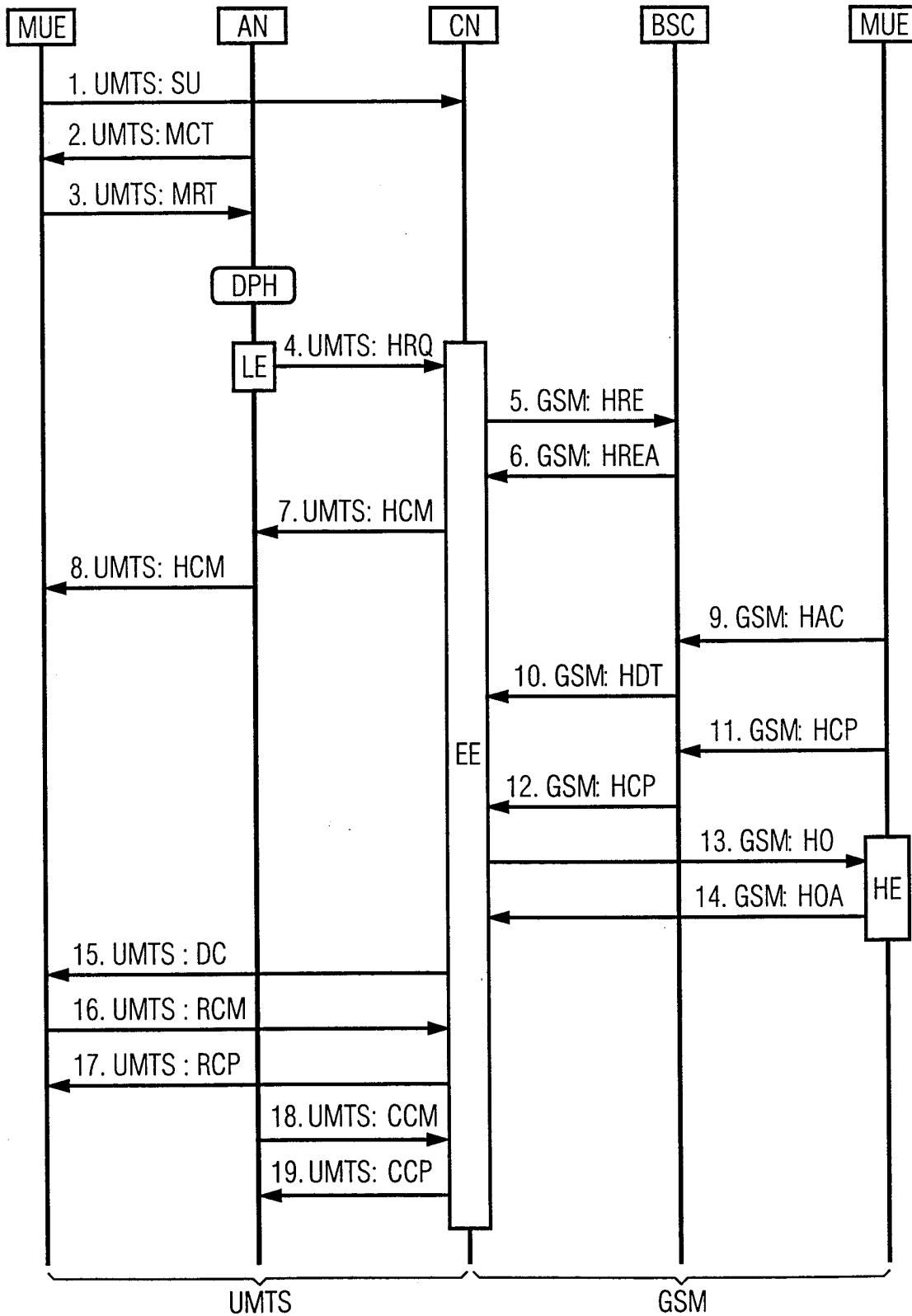
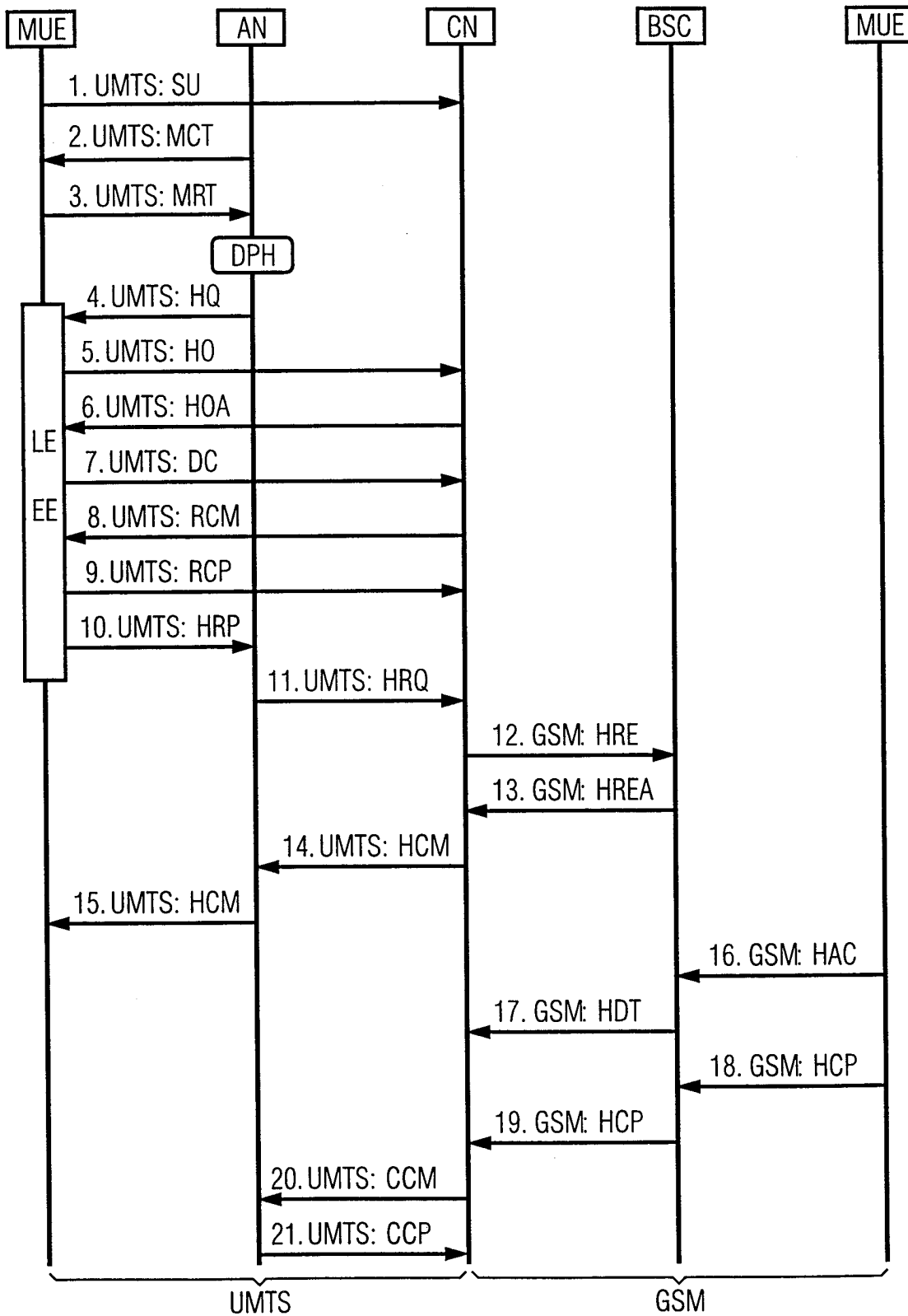


FIG 11



INTERNATIONAL SEARCH REPORT

Int. l. Application No

PCT/EP 00/00104

A. CLASSIFICATION OF SUBJECT MATTER
 IPC 7 H04Q7/38 H04Q7/24

According to International Patent Classification (IPC) or to both national classification and IPC

B. FIELDS SEARCHED

Minimum documentation searched (classification system followed by classification symbols)
 IPC 7 H04Q

Documentation searched other than minimum documentation to the extent that such documents are included in the fields searched

Electronic data base consulted during the international search (name of data base and, where practical, search terms used)

C. DOCUMENTS CONSIDERED TO BE RELEVANT

Category °	Citation of document, with indication, where appropriate, of the relevant passages	Relevant to claim No.
X	NAGHSHINEH M ET AL: "END-TO-END QOS PROVISIONING IN MULTIMEDIA WIRELESS/MOBILE NETWORKS USING AN ADAPTIVE FRAMEWORK" IEEE COMMUNICATIONS MAGAZINE, vol. 35, no. 11, 1 November 1997 (1997-11-01), pages 72-81, XP000723638 page 72, right-hand column, line 32 -page 73, left-hand column, line 9 page 73, left-hand column, line 63 -right-hand column, line 18 page 76, left-hand column, line 9 -page 79, left-hand column, line 50 page 80, right-hand column, line 3 -page 81, left-hand column, line 17 --- -/--	1-5, 7, 8, 15, 22-24, 28, 29, 31, 32, 39

Further documents are listed in the continuation of box C.

Patent family members are listed in annex.

° Special categories of cited documents :

- "A" document defining the general state of the art which is not considered to be of particular relevance
- "E" earlier document but published on or after the international filing date
- "L" document which may throw doubts on priority claim(s) or which is cited to establish the publication date of another citation or other special reason (as specified)
- "O" document referring to an oral disclosure, use, exhibition or other means
- "P" document published prior to the international filing date but later than the priority date claimed

- "T" later document published after the international filing date or priority date and not in conflict with the application but cited to understand the principle or theory underlying the invention
- "X" document of particular relevance; the claimed invention cannot be considered novel or cannot be considered to involve an inventive step when the document is taken alone
- "Y" document of particular relevance; the claimed invention cannot be considered to involve an inventive step when the document is combined with one or more other such documents, such combination being obvious to a person skilled in the art.
- "&" document member of the same patent family

Date of the actual completion of the international search

15 June 2000

Date of mailing of the international search report

21/06/2000

Name and mailing address of the ISA

European Patent Office, P.B. 5818 Patentlaan 2
 NL - 2280 HV Rijswijk
 Tel. (+31-70) 340-2040, Tx. 31 651 epo nl,
 Fax: (+31-70) 340-3016

Authorized officer

Gerling, J.C.J.

INTERNATIONAL SEARCH REPORT

Int. l. Application No

PCT/EP 00/00104

C.(Continuation) DOCUMENTS CONSIDERED TO BE RELEVANT		
Category °	Citation of document, with indication, where appropriate, of the relevant passages	Relevant to claim No.
A	<p>GB 2 313 258 A (MOTOROLA LTD) 19 November 1997 (1997-11-19) page 3, line 3 - line 15 page 5, line 7 - line 14 page 6, line 10 -page 7, line 28 page 8, line 28 - line 35 page 10, line 4 -page 12, line 3</p> <p style="text-align: center;">----</p>	1, 15, 39
A	<p>US 5 497 504 A (ACAMPORA ANTHONY S ET AL) 5 March 1996 (1996-03-05) column 2, line 40 - line 62 column 3, line 24 -column 4, line 39 column 5, line 12 -column 7, line 14 column 7, line 32 -column 8, line 14 column 9, line 7 - line 27</p> <p style="text-align: center;">----</p>	1, 15, 39
A	<p>IERA A ET AL: "7ULTIMEDIA SERVICES MANAGEMENT IN NEXT GENERATION MOBILE NETWORKS" 1995 FOURTH IEEE INTERNATIONAL CONFERENCE ON UNIVERSAL PERSONAL COMMUNICATIONS RECORD, GATEWAY TO THE 21ST. CENTURY TOKYO, NOV. 6 - 10, 1995, no. CONF. 4, 6 November 1995 (1995-11-06), pages 687-691, XP000690040 INSTITUTE OF ELECTRICAL AND ELECTRONICS ENGINEERS</p> <p style="text-align: center;">----</p>	
A	<p>US 5 787 077 A (WU YUNG-SHAIN ET AL) 28 July 1998 (1998-07-28)</p> <p style="text-align: center;">-----</p>	

INTERNATIONAL SEARCH REPORT

Information on patent family members

International Application No

PCT/EP 00/00104

Patent document cited in search report		Publication date	Patent family member(s)		Publication date
GB 2313258	A	19-11-1997	AU 2955497	A	09-12-1997
			WO 9744922	A	27-11-1997

US 5497504	A	05-03-1996	AU 2588695	A	05-12-1995
			WO 9531868	A	23-11-1995

US 5787077	A	28-07-1998	EP 0903054	A	24-03-1999
			WO 9747158	A	11-12-1997
