

(19) World Intellectual Property Organization
International Bureau



(43) International Publication Date
5 February 2009 (05.02.2009)

PCT

(10) International Publication Number
WO 2009/016540 A3

- (51) International Patent Classification:
G06F 21/24 (2006.01)
- (21) International Application Number:
PCT/IB2008/052924
- (22) International Filing Date: 21 July 2008 (21.07.2008)
- (25) Filing Language: English
- (26) Publication Language: English
- (30) Priority Data:
07290963.3 1 August 2007 (01.08.2007) EP
- (71) Applicant (for all designated States except US): NXP B.V.
[NL/NL]; High Tech Campus 60, NL-5656 AG Eindhoven (NL).
- (72) Inventors; and
- (75) Inventors/Applicants (for US only): **CORDA, Alexandre** [FR/FR]; c/o NXP Semiconductors Austria GmbH, Intellectual Property Department, Gutheil-Schoder-Gasse 8-12, A-1102 Vienna (AT). **WANE, Ismaila** [MR/FR]; c/o NXP Semiconductors Austria GmbH, Intellectual Property Department, Gutheil-Schoder-Gasse 8-12, A-1102 Vienna (AT).
- (74) Agent: **VAN DER VEER, Johannis, Leendert**; NXP Semiconductors, IP & L Department, High Tech Campus 32, NL-5656 AE Eindhoven (NL).

- (81) Designated States (unless otherwise indicated, for every kind of national protection available): AE, AG, AL, AM, AO, AT, AU, AZ, BA, BB, BG, BH, BR, BW, BY, BZ, CA, CH, CN, CO, CR, CU, CZ, DE, DK, DM, DO, DZ, EC, EE, EG, ES, FI, GB, GD, GE, GH, GM, GT, HN, HR, HU, ID, IL, IN, IS, JP, KE, KG, KM, KN, KP, KR, KZ, LA, LC, LK, LR, LS, LT, LU, LY, MA, MD, ME, MG, MK, MN, MW, MX, MY, MZ, NA, NG, NI, NO, NZ, OM, PG, PH, PL, PT, RO, RS, RU, SC, SD, SE, SG, SK, SL, SM, ST, SV, SY, TJ, TM, TN, TR, TT, TZ, UA, UG, US, UZ, VC, VN, ZA, ZM, ZW.
- (84) Designated States (unless otherwise indicated, for every kind of regional protection available): ARIPO (BW, GH, GM, KE, LS, MW, MZ, NA, SD, SL, SZ, TZ, UG, ZM, ZW), Eurasian (AM, AZ, BY, KG, KZ, MD, RU, TJ, TM), European (AT, BE, BG, CH, CY, CZ, DE, DK, EE, ES, FI, FR, GB, GR, HR, HU, IE, IS, IT, LT, LU, LV, MC, MT, NL, NO, PL, PT, RO, SE, SI, SK, TR), OAPI (BF, BJ, CF, CG, CI, CM, GA, GN, GQ, GW, ML, MR, NE, SN, TD, TG).

Declaration under Rule 4.17:

— as to applicant's entitlement to apply for and be granted a patent (Rule 4.17(ii))

Published:

— with international search report

[Continued on next page]

(54) Title: MOBILE COMMUNICATION DEVICE AND METHOD FOR DISABLING APPLICATIONS

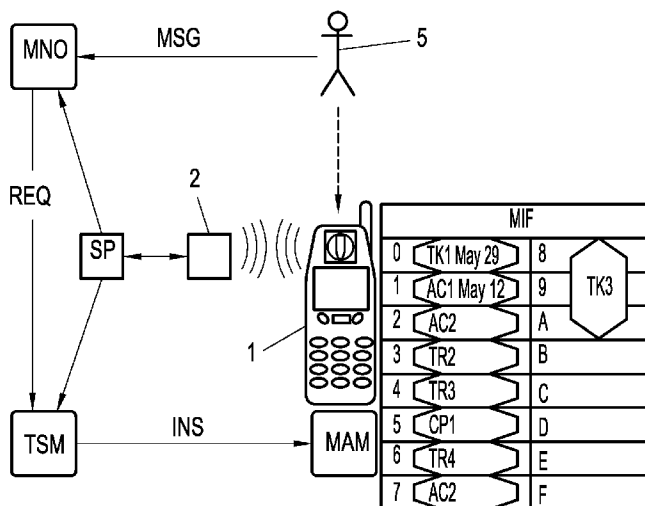


Fig. 4

(57) Abstract: A mobile communication device (1) is connectable to a memory device (MIF) that comprises a plurality of memorysectors (0 -F), wherein at least one application is stored in at least one memory sector. the memory sectors are protected against unauthorized access 5 by sector keys (key A, key B, 4). The mobile communication device (1) comprises an applications manager (MAM) being adapted to disable the stored applications (TK1, AC1, AC2, TR2, TR3, CP1, TR4, AC3, TK3) when triggered by an external trigger event.

WO 2009/016540 A3



— *before the expiration of the time limit for amending the claims and to be republished in the event of receipt of amendments*

(88) Date of publication of the international search report:
30 April 2009

INTERNATIONAL SEARCH REPORT

International application No
PCT/IB2008/052924

A. CLASSIFICATION OF SUBJECT MATTER
INV. G06F21/24

According to International Patent Classification (IPC) or to both national classification and IPC

B. FIELDS SEARCHED

Minimum documentation searched (classification system followed by classification symbols)
G06F

Documentation searched other than minimum documentation to the extent that such documents are included in the fields searched

Electronic data base consulted during the international search (name of data base and, where practical, search terms used)

EPO-Internal

C. DOCUMENTS CONSIDERED TO BE RELEVANT

Category*	Citation of document, with indication, where appropriate, of the relevant passages	Relevant to claim No.
Y	US 2006/212664 A1 (TAKARAGI YOICHI [JP]) 21 September 2006 (2006-09-21) paragraph [0058]	1-18
Y	US 2007/038680 A1 (CASEY STEVEN M [US]) 15 February 2007 (2007-02-15) abstract	1-18
Y	US 2006/075263 A1 (TAYLOR JESSE [US]) 6 April 2006 (2006-04-06) abstract	1-18
Y	WO 00/45243 A (TELIA AB [SE]) 3 August 2000 (2000-08-03) abstract	1-18
	----- -/--	

Further documents are listed in the continuation of Box C.

See patent family annex.

* Special categories of cited documents :

- *A* document defining the general state of the art which is not considered to be of particular relevance
- *E* earlier document but published on or after the international filing date
- *L* document which may throw doubts on priority claim(s) or which is cited to establish the publication date of another citation or other special reason (as specified)
- *O* document referring to an oral disclosure, use, exhibition or other means
- *P* document published prior to the international filing date but later than the priority date claimed

- *T* later document published after the international filing date or priority date and not in conflict with the application but cited to understand the principle or theory underlying the invention
- *X* document of particular relevance; the claimed invention cannot be considered novel or cannot be considered to involve an inventive step when the document is taken alone
- *Y* document of particular relevance; the claimed invention cannot be considered to involve an inventive step when the document is combined with one or more other such documents, such combination being obvious to a person skilled in the art.
- *8* document member of the same patent family

Date of the actual completion of the international search

13 February 2009

Date of mailing of the international search report

03/03/2009

Name and mailing address of the ISA/

European Patent Office, P.B. 5818 Patentlaan 2
NL - 2280 HV Rijswijk
Tel. (+31-70) 340-2040,
Fax: (+31-70) 340-3016

Authorized officer

Mezödi, Stephan

INTERNATIONAL SEARCH REPORT

International application No

PCT/IB2008/052924

C(Continuation). DOCUMENTS CONSIDERED TO BE RELEVANT		
Category*	Citation of document, with indication, where appropriate, of the relevant passages	Relevant to claim No.
Y	WO 2006/135907 A (INTEL CORP [US]; RUDELIC JOHN [US]; CAMBER AUGUST [US]; HASBUN ROBERT) 21 December 2006 (2006-12-21) abstract -----	1-18
Y	US 2006/079204 A1 (PON HARRY Q [US] ET AL) 13 April 2006 (2006-04-13) abstract -----	1-18
Y	EP 1 521 160 A (MICROSOFT CORP [US]) 6 April 2005 (2005-04-06) abstract -----	1-18
T	NXP: "MF1ICS50 Functional Specification"[Online] 29 January 2008 (2008-01-29), XP002515090 Internet Retrieved from the Internet: URL: http://www.nxp.com/acrobat_download/other/identification/M001053_MF1ICS50_rev5_3.pdf [retrieved on 2009-02-13] -----	

INTERNATIONAL SEARCH REPORT

International application No

PCT/IB2008/052924

Patent document cited in search report	Publication date	Patent family member(s)	Publication date	
US 2006212664	A1	21-09-2006	JP 2005157476 A WO 2005050458 A1	16-06-2005 02-06-2005
US 2007038680	A1	15-02-2007	NONE	
US 2006075263	A1	06-04-2006	NONE	
WO 0045243	A	03-08-2000	SE 515488 C2 SE 9900306 A	13-08-2001 30-07-2000
WO 2006135907	A	21-12-2006	US 2007011263 A1	11-01-2007
US 2006079204	A1	13-04-2006	CN 101031924 A DE 112005002266 T5 KR 20070048808 A WO 2006044746 A2	05-09-2007 27-09-2007 09-05-2007 27-04-2006
EP 1521160	A	06-04-2005	CN 1604006 A JP 2005122705 A KR 20050032469 A US 2005073389 A1	06-04-2005 12-05-2005 07-04-2005 07-04-2005